

TABLE OF CONTENTS

PAGE

- 4 - CLOCK GENERATOR**
- 5-7 - BANIAS PROCESSOR**
- 8-10 - ODEM**
- 11-14 - DDR**
- 15-18 - ATI_M10_P**
- 19-20 - VGA DDR**
- 21 -LCD&TV CONNECTOR INTERFACE**
- 22- CRT INTERFACE**
- 23-25- ICH4-M**
- 26 - HDD CONNECTOR**
- 27 - CD-ROM CONNECTOR**
- 28 - USB PORT**
- 29 - GI-GA LAN**
- 30 - LAN INTERFACE**
- 31- RJ45 CONN**
- 32- CHVIAS II**
- 33 - FLASH ROM & IR**
- 32- 1394 CONTROLLER**

PAGE

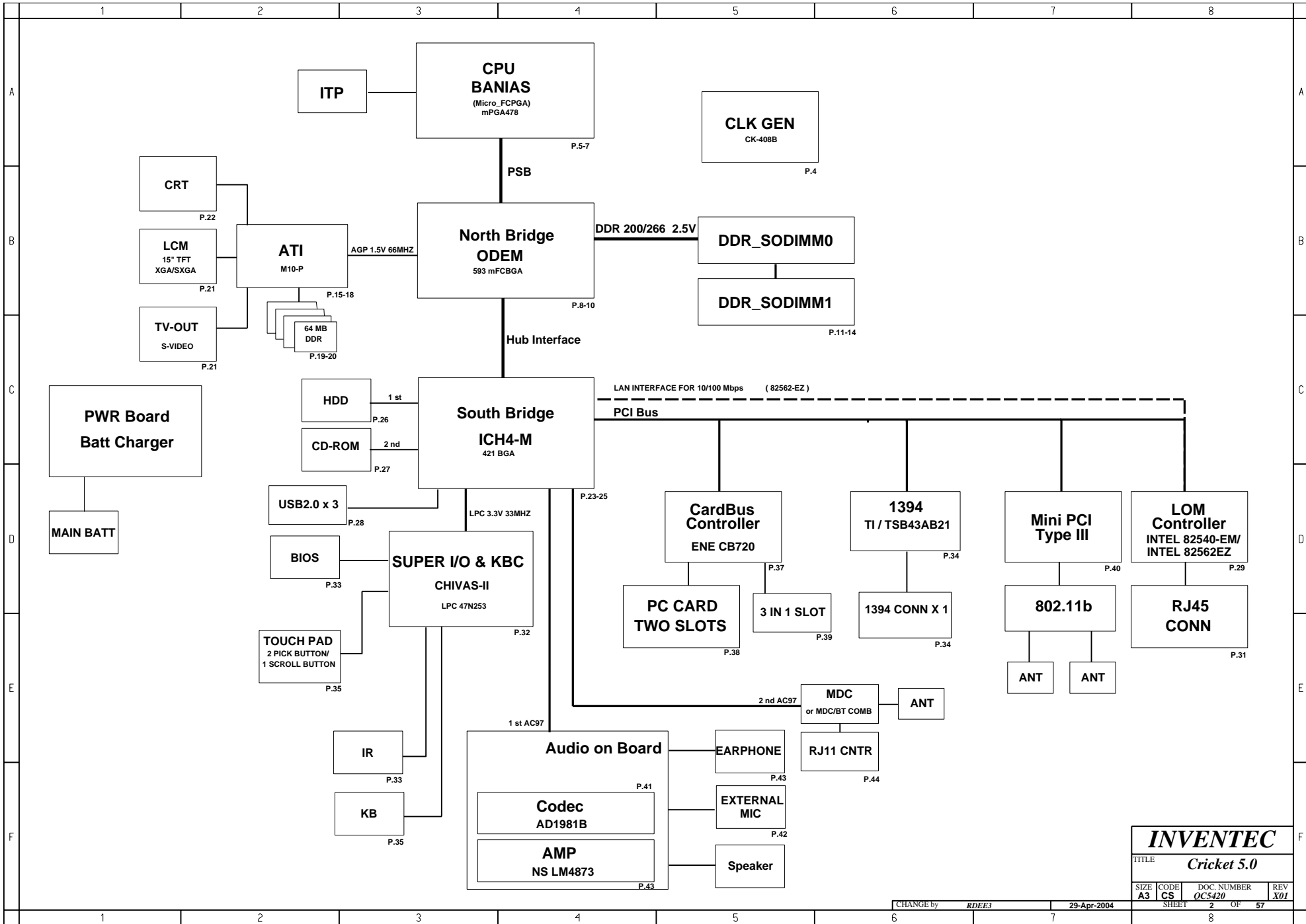
- 35- KEYBOARD CONNECTOR & TOUCH PAD & BUTTON**
- 36 - LID SWITCH/LEDS**
- 37 - CARDBUS CONTROLLER**
- 38 - PCMCIA CARD**
- 39- PC CARD CONNECTOR**
- 40 - MINI PCI**
- 41 - AC97 CODEC**
- 42 - VR & MIC JACK**
- 43 - AMP**
- 44- MDC I/F**
- 45 - THERMAL SENSOR & FAN CONTROLLER**
- 46 - DECOUPLING CAPS**
- 47 - DRILL HOLE**
- 48 - HIGH SPEED**
- 49 - PULL UPS**
- 50-58 - POWER**

Revisions			Approvals			
REV	ECN NO.	Description Of Change	DATE	DFTG.	ENGR.	REL.

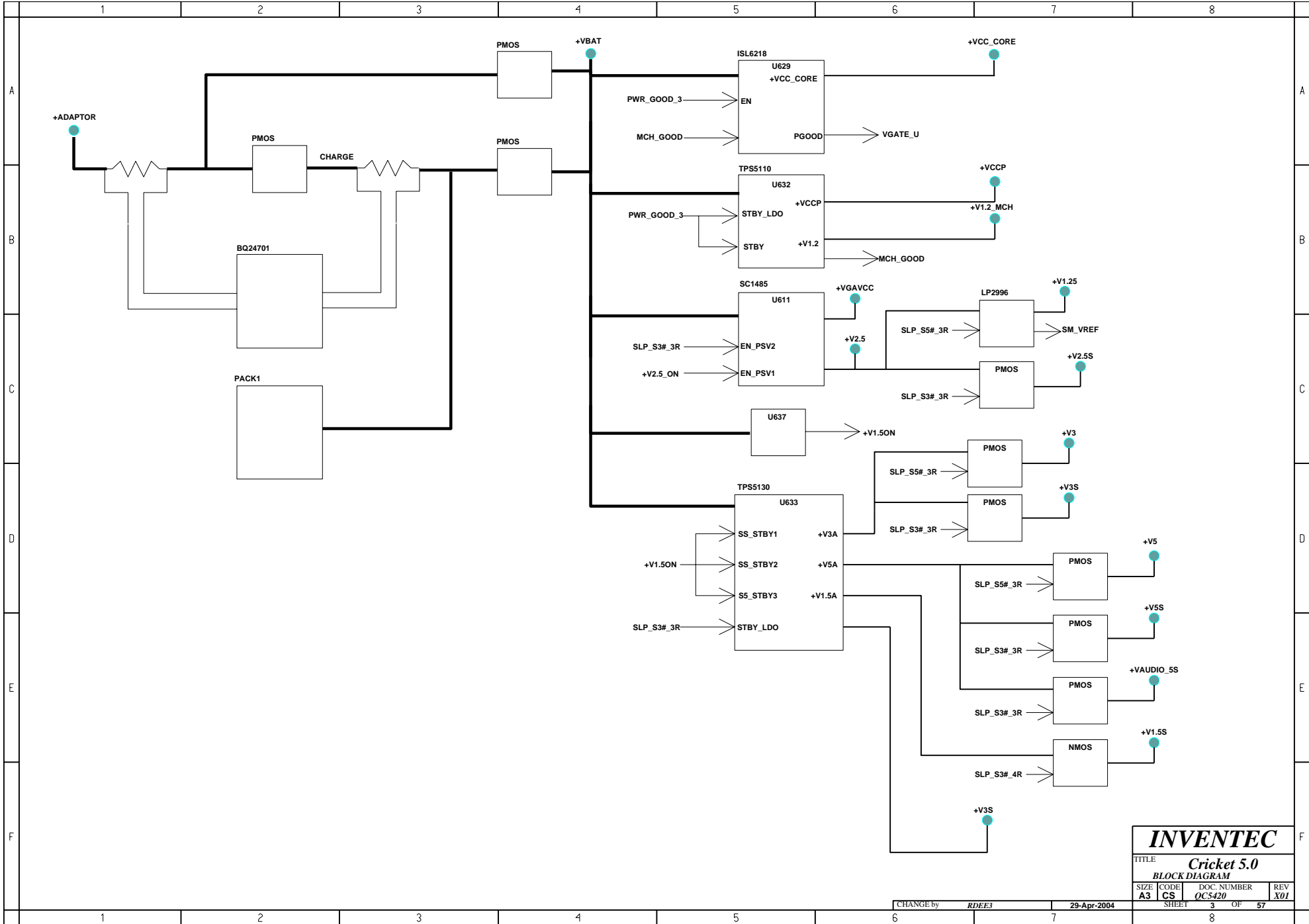
DATE	CHANGE NO.	REV

DRAWER	EE	DATE	POWER	DATE	INVENTEC <i>Cricket 5.0</i>
CHECK					
DESIGN					
RESPOSFOR					
SIZE = B VER :					SIZE A3 CODE CS DOC. NUMBER OC5420 REV X01
FILE NAME : XXXX-XXXXXX-XX					SHEET 1 OF 57
P/N :XXXXXXXXXXXXX DATE BEGINNING : dd / mm / yyyy					8

1	2	3	4	5	6	7	8
A							A
B							B
C							C
D							D
E							E
F							F



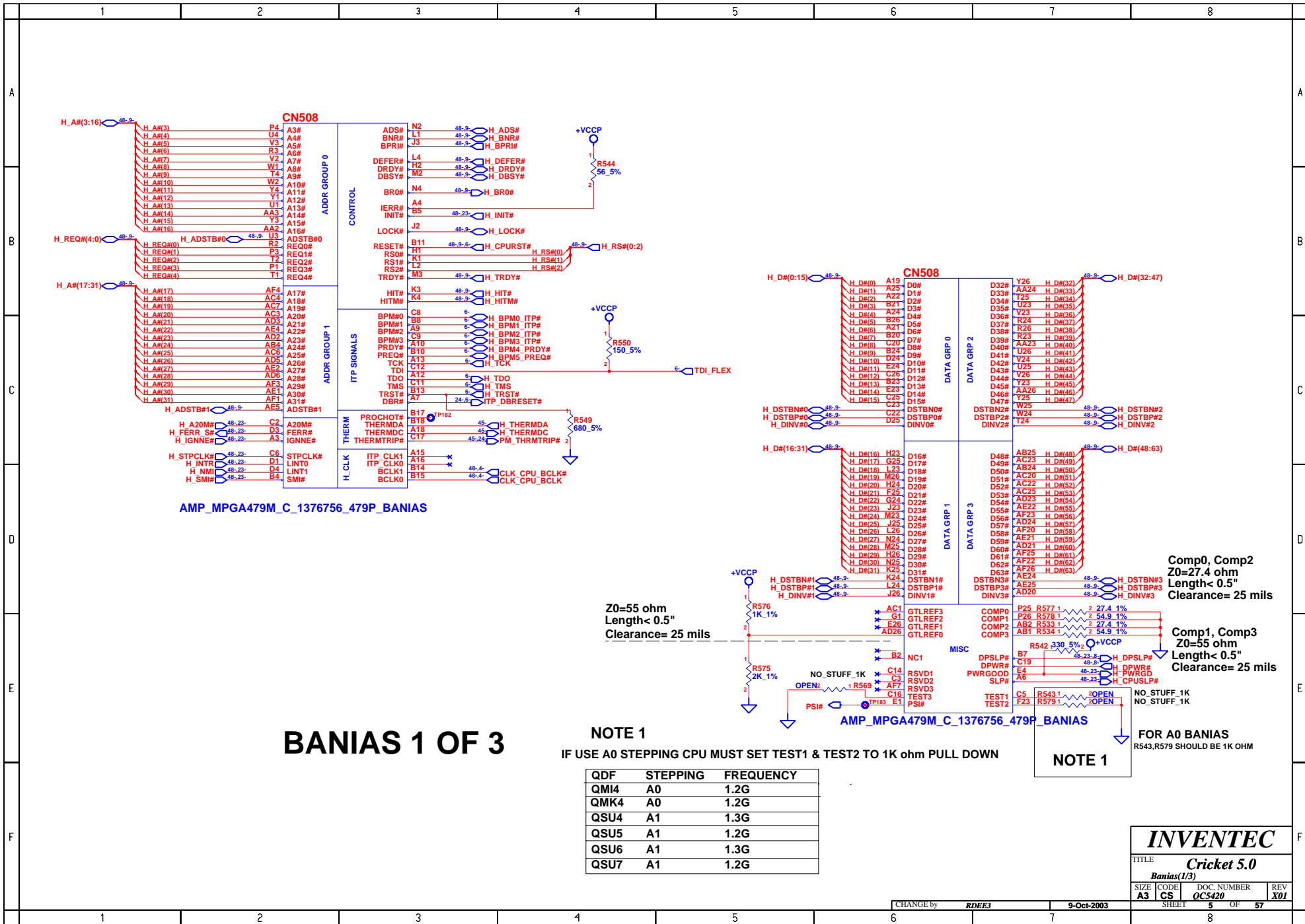
INVENTEC			
TITLE <i>Cricket 5.0</i>			
SIZE A3	CODE CS	DOC. NUMBER QCS420	REV X01
CHANGE by RDEE3		29-Apr-2004	
SHEET 2		OF 57	



INVENTEC

TITLE **Cricket 5.0**
BLOCK DIAGRAM

SIZE A3	CODE CS	DOC. NUMBER QC5420	REV X01
-------------------	-------------------	------------------------------	-------------------



AMP_MPGA479M_C_1376756_479P_BANIAS

Z0=55 ohm
Length< 0.5"
Clearance= 25 mils

Comp0, Comp2
Z0=27.4 ohm
Length< 0.5"
Clearance= 25 mils

Comp1, Comp3
Z0=55 ohm
Length< 0.5"
Clearance= 25 mils

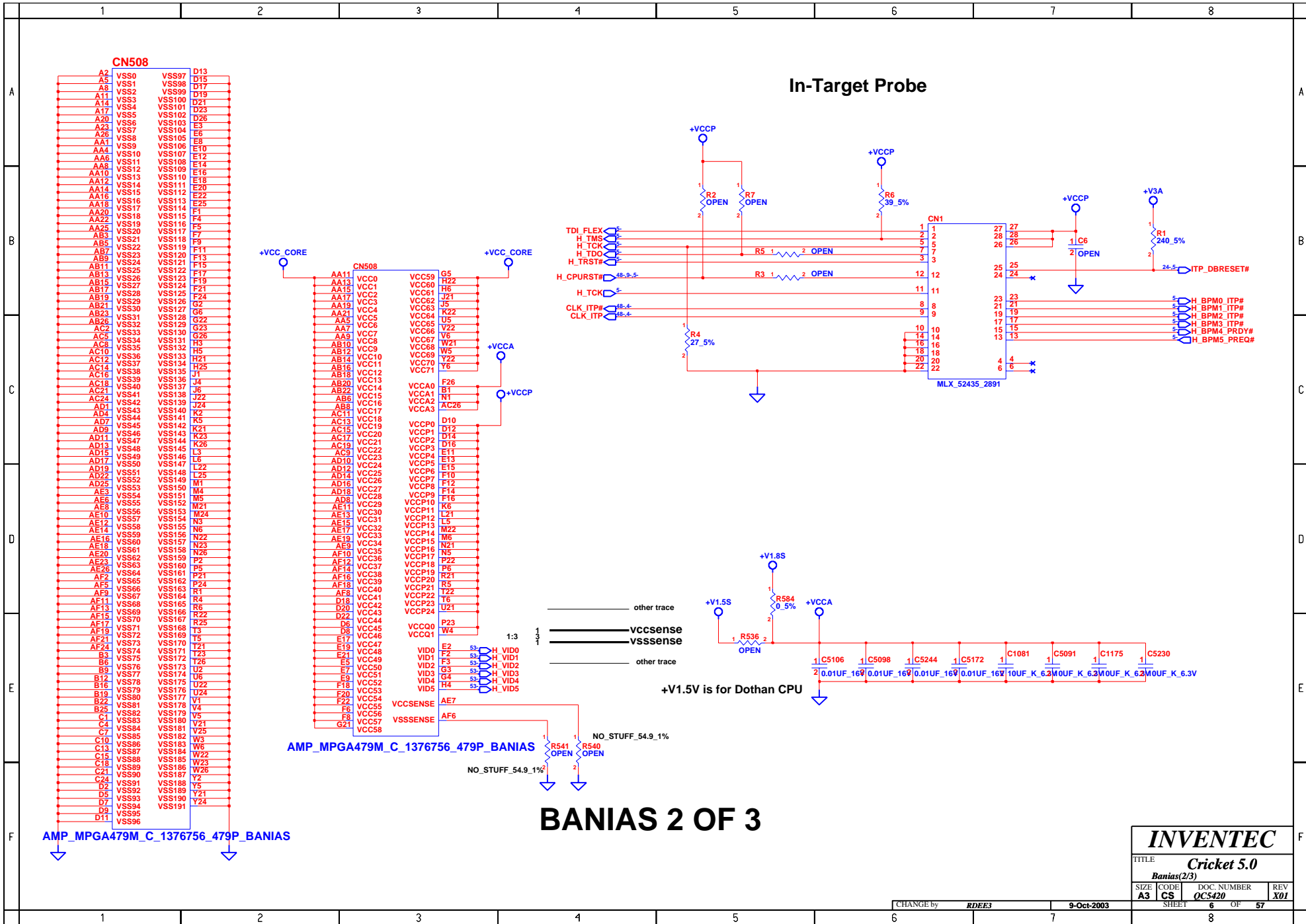
BANIAS 1 OF 3

NOTE 1
IF USE A0 STEPPING CPU MUST SET TEST1 & TEST2 TO 1K ohm PULL DOWN

QDF	STEPPING	FREQUENCY
QMI4	A0	1.2G
QMK4	A0	1.2G
QSU4	A1	1.3G
QSU5	A1	1.2G
QSU6	A1	1.3G
QSU7	A1	1.2G

NOTE 1

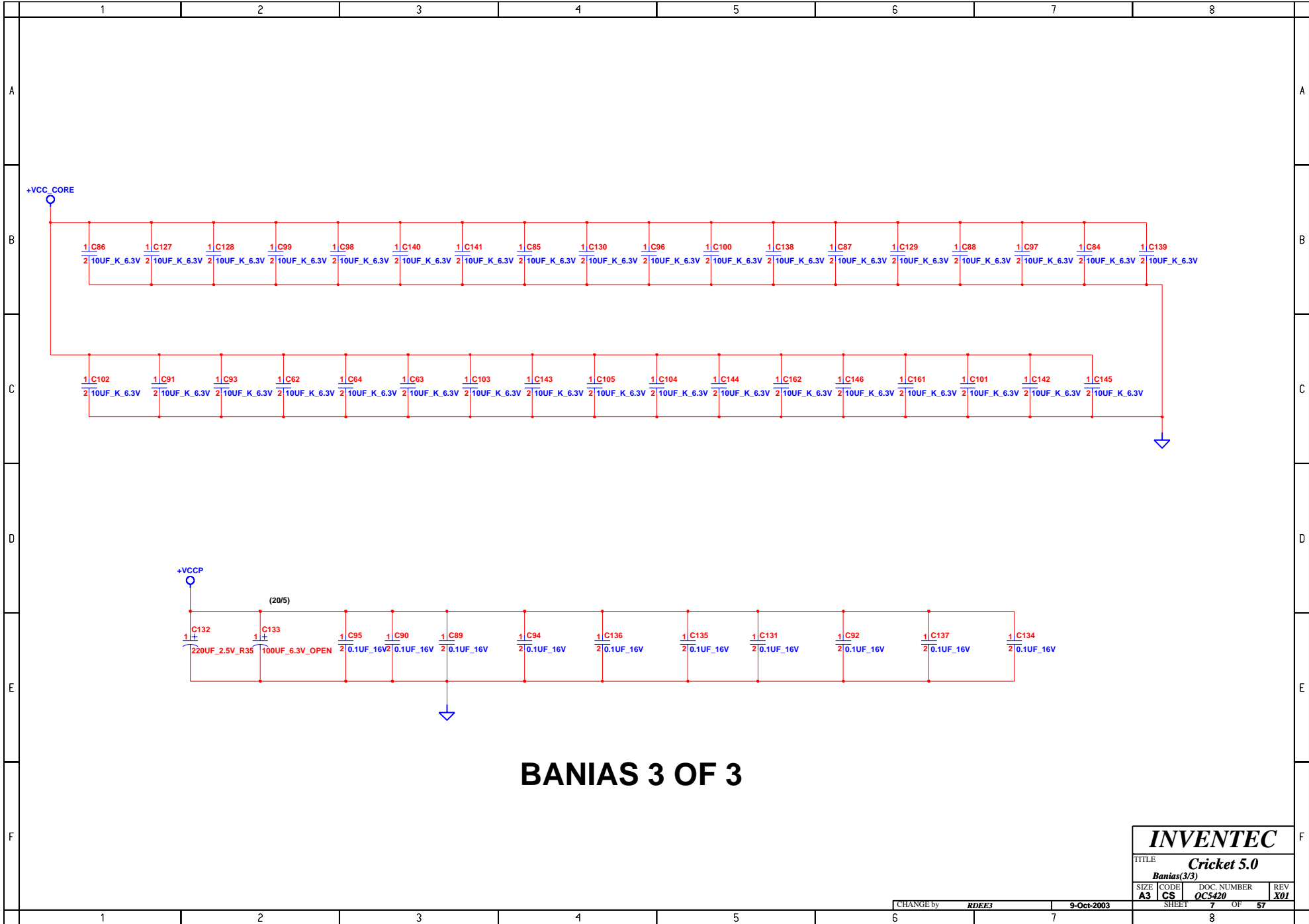
INVENTEC
 TITLE Cricket 5.0
 Banias(1/3)
 SIZE A3 CODE CS DOC NUMBER QCS420 REV X01
 SHEET 5 OF 57



In-Target Probe

BANIAS 2 OF 3

INVENTEC			
TITLE Cricket 5.0			
Banias(2/3)			
SIZE A3	CODE CS	DOC. NUMBER OC5420	REV X01
CHANGE by RDEE3		9-Oct-2003	
SHEET 6		OF 57	



BANIAS 3 OF 3

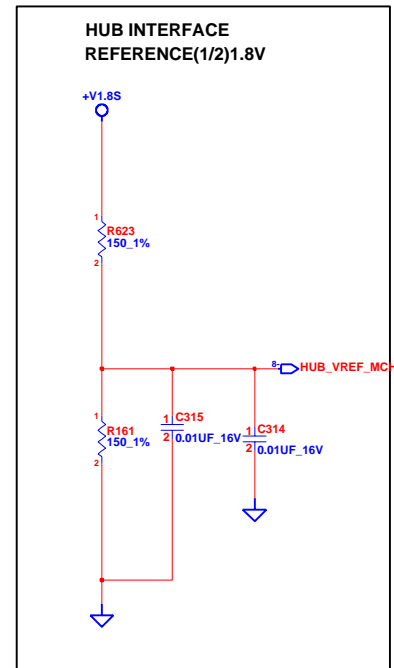
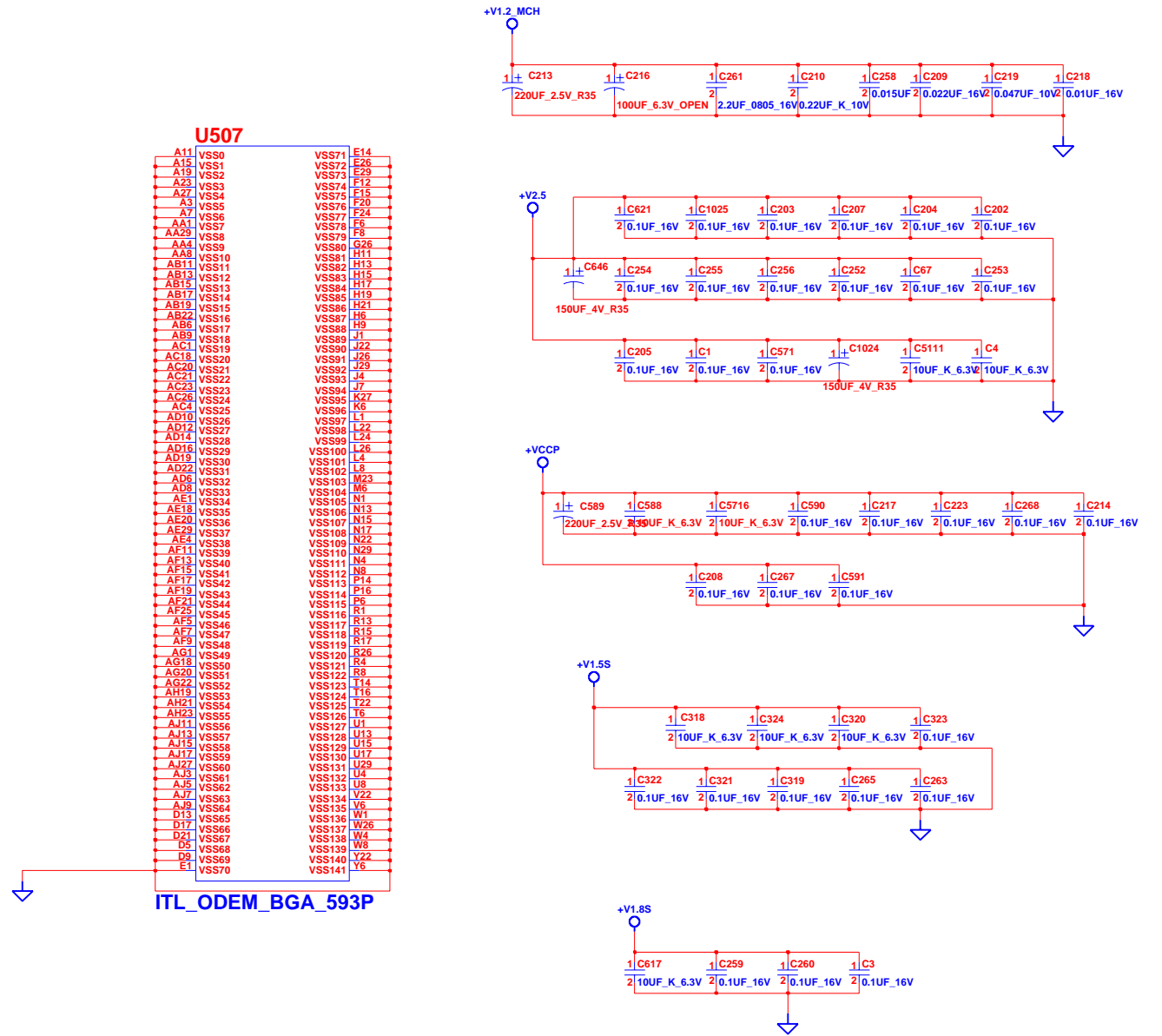
INVENTEC

TITLE **Cricket 5.0**

Banias(3/3)

SIZE	CODE	DOC. NUMBER	REV
A3	CS	QC5420	X01

CHANGE by	RDEE3	9-Oct-2003	SHEET 7 OF 57
-----------	-------	------------	---------------



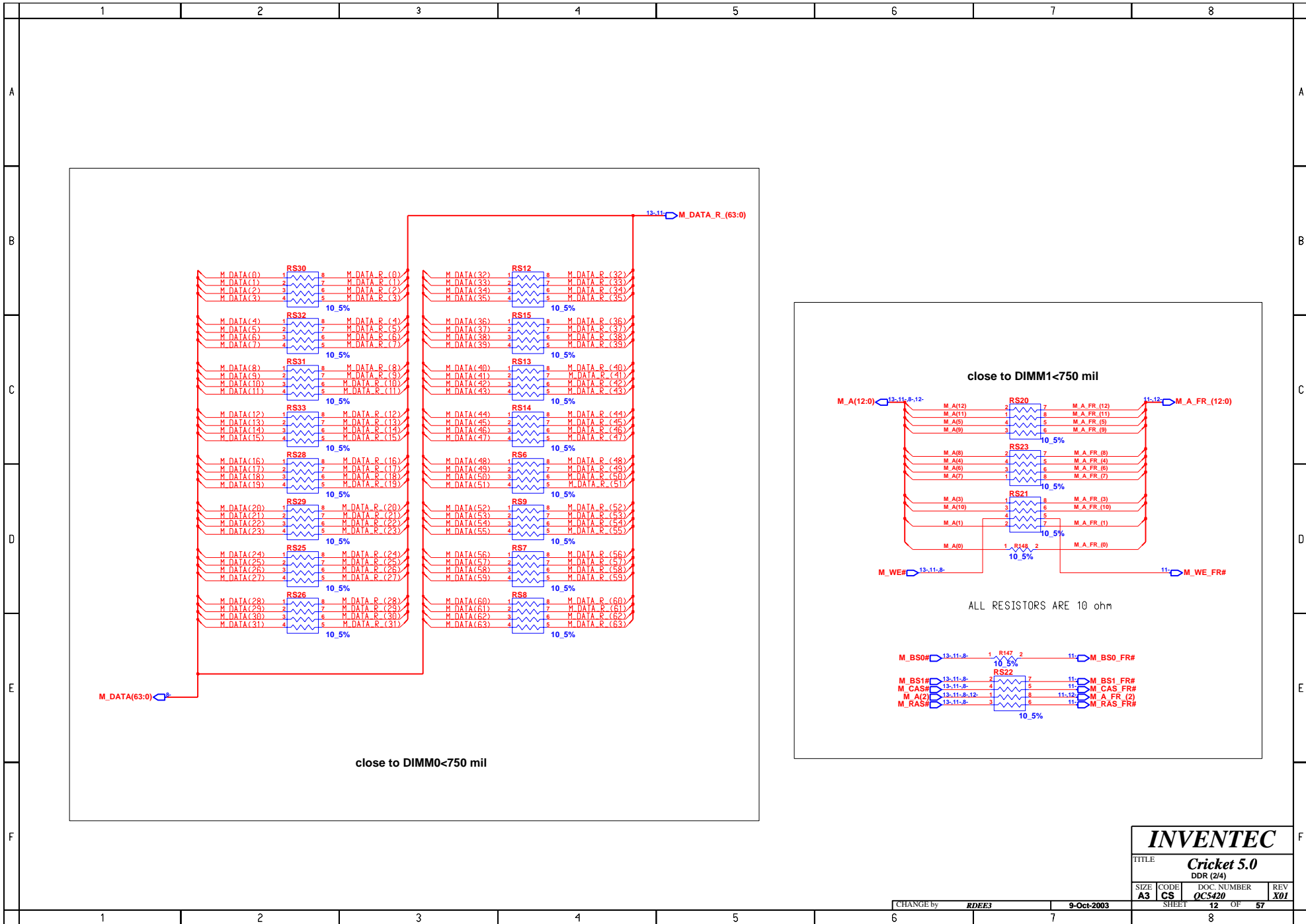
U507

A11	VSS0	VSS71	E14
A15	VSS1	VSS72	E26
A19	VSS2	VSS73	E29
A23	VSS3	VSS74	F12
A27	VSS4	VSS75	F15
A3	VSS5	VSS76	F20
A7	VSS6	VSS77	F24
AA1	VSS7	VSS78	F8
AA29	VSS8	VSS79	F8
AA4	VSS9	VSS80	G26
AA8	VSS10	VSS81	H11
AB11	VSS11	VSS82	H13
AB19	VSS12	VSS83	H15
AB15	VSS13	VSS84	H17
AB17	VSS14	VSS85	H19
AB19	VSS15	VSS86	H21
AB22	VSS16	VSS87	H6
AB6	VSS17	VSS88	H9
AB9	VSS18	VSS89	J1
AG1	VSS19	VSS90	J22
AC18	VSS20	VSS91	J26
AC20	VSS21	VSS92	J29
AC21	VSS22	VSS93	J4
AC23	VSS23	VSS94	J7
AC26	VSS24	VSS95	K27
AC4	VSS25	VSS96	K6
AD10	VSS26	VSS97	L1
AD12	VSS27	VSS98	L22
AD14	VSS28	VSS99	L24
AD16	VSS29	VSS100	L26
AD19	VSS30	VSS101	L4
AD22	VSS31	VSS102	L8
AD6	VSS32	VSS103	M23
AD8	VSS33	VSS104	M6
AET	VSS34	VSS105	N1
AE18	VSS35	VSS106	N13
AE20	VSS36	VSS107	N15
AE29	VSS37	VSS108	N17
AE4	VSS38	VSS109	N22
AF11	VSS39	VSS110	N29
AF13	VSS40	VSS111	N4
AF15	VSS41	VSS112	N8
AF17	VSS42	VSS113	P14
AF19	VSS43	VSS114	P16
AF21	VSS44	VSS115	P6
AF25	VSS45	VSS116	R1
AF5	VSS46	VSS117	R13
AF7	VSS47	VSS118	R15
AF9	VSS48	VSS119	R17
AG1	VSS49	VSS120	R26
AG18	VSS50	VSS121	R4
AG20	VSS51	VSS122	R8
AG22	VSS52	VSS123	T14
AH19	VSS53	VSS124	T5
AH21	VSS54	VSS125	T6
AH23	VSS55	VSS126	T6
AJ11	VSS56	VSS127	U1
AJ12	VSS57	VSS128	U13
AJ15	VSS58	VSS129	U15
AJ17	VSS59	VSS130	U17
AJ27	VSS60	VSS131	U29
AJ3	VSS61	VSS132	U4
AJ5	VSS62	VSS133	U8
AJ7	VSS63	VSS134	V22
AJ9	VSS64	VSS135	V6
D13	VSS65	VSS136	W1
D17	VSS66	VSS137	W26
D21	VSS67	VSS138	W4
D5	VSS68	VSS139	W8
D9	VSS69	VSS140	Y22
E1	VSS70	VSS141	Y6

ITL_ODEM_BGA_593P

ODEM 3 OF 3

INVENTEC			
TITLE Cricket 5.0			
ODEM (3/3)			
SIZE A3	CODE CS	DOC. NUMBER QCS420	REV X01
CHANGE by RDEE3		9-Oct-2003	SHEET 10 OF 57



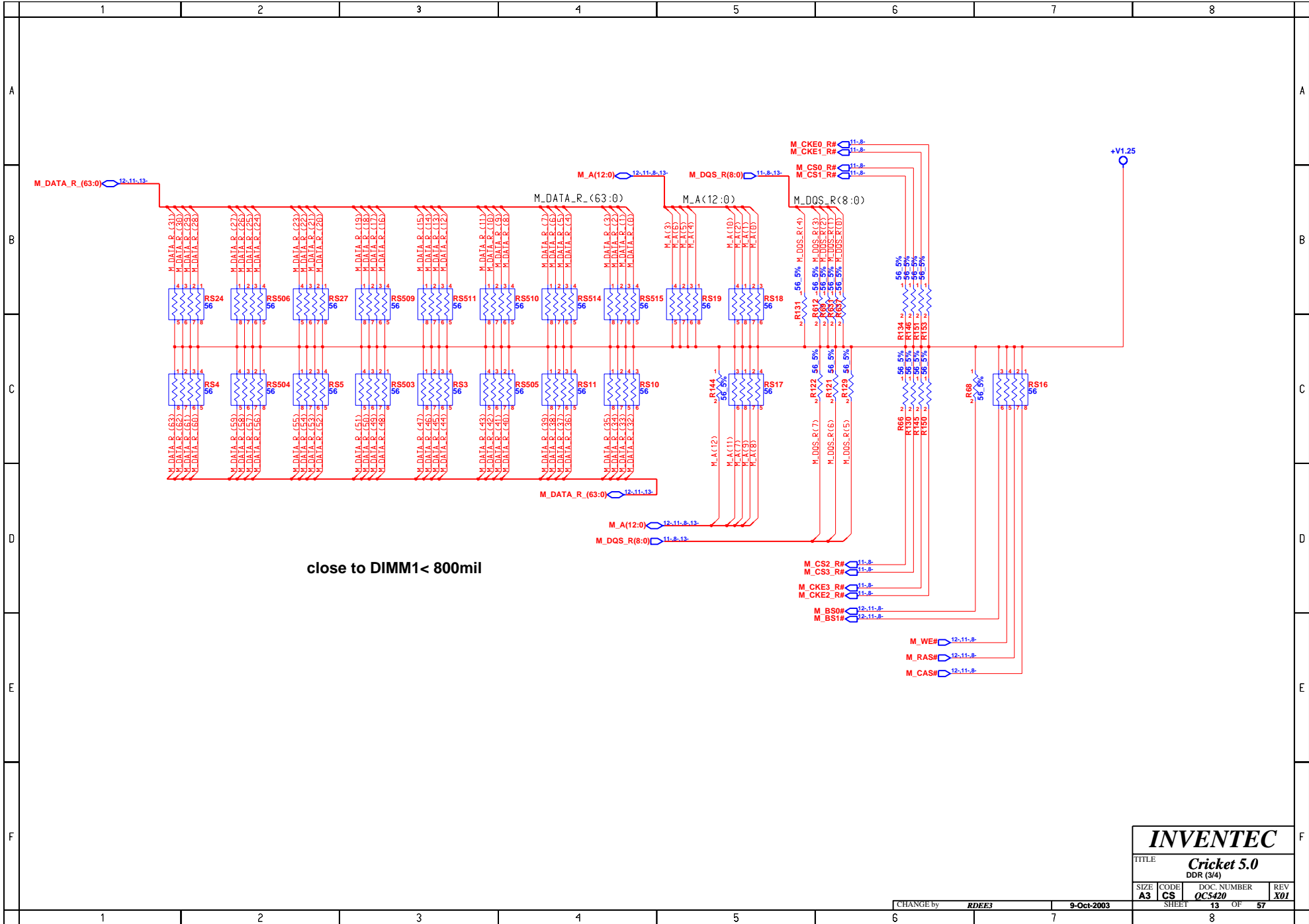
INVENTEC

TITLE **Cricket 5.0**
DDR (2/4)

SIZE	CODE	DOC. NUMBER	REV
A3	CS	QCS420	X01

CHANGE by **RDEE3** 9-Oct-2003

SHEET 12 OF 57



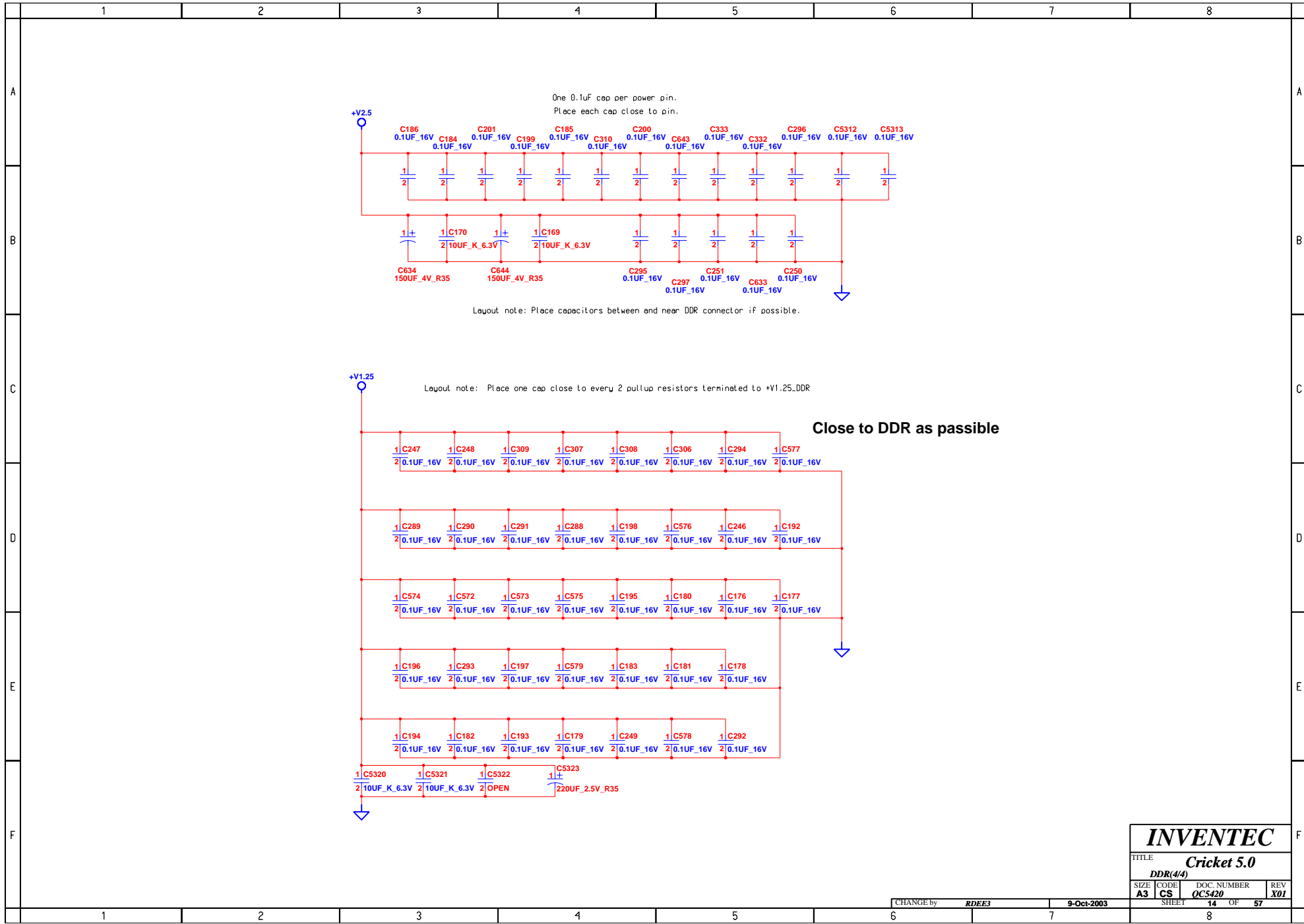
INVENTEC

TITLE
Cricket 5.0
DDR (3/4)

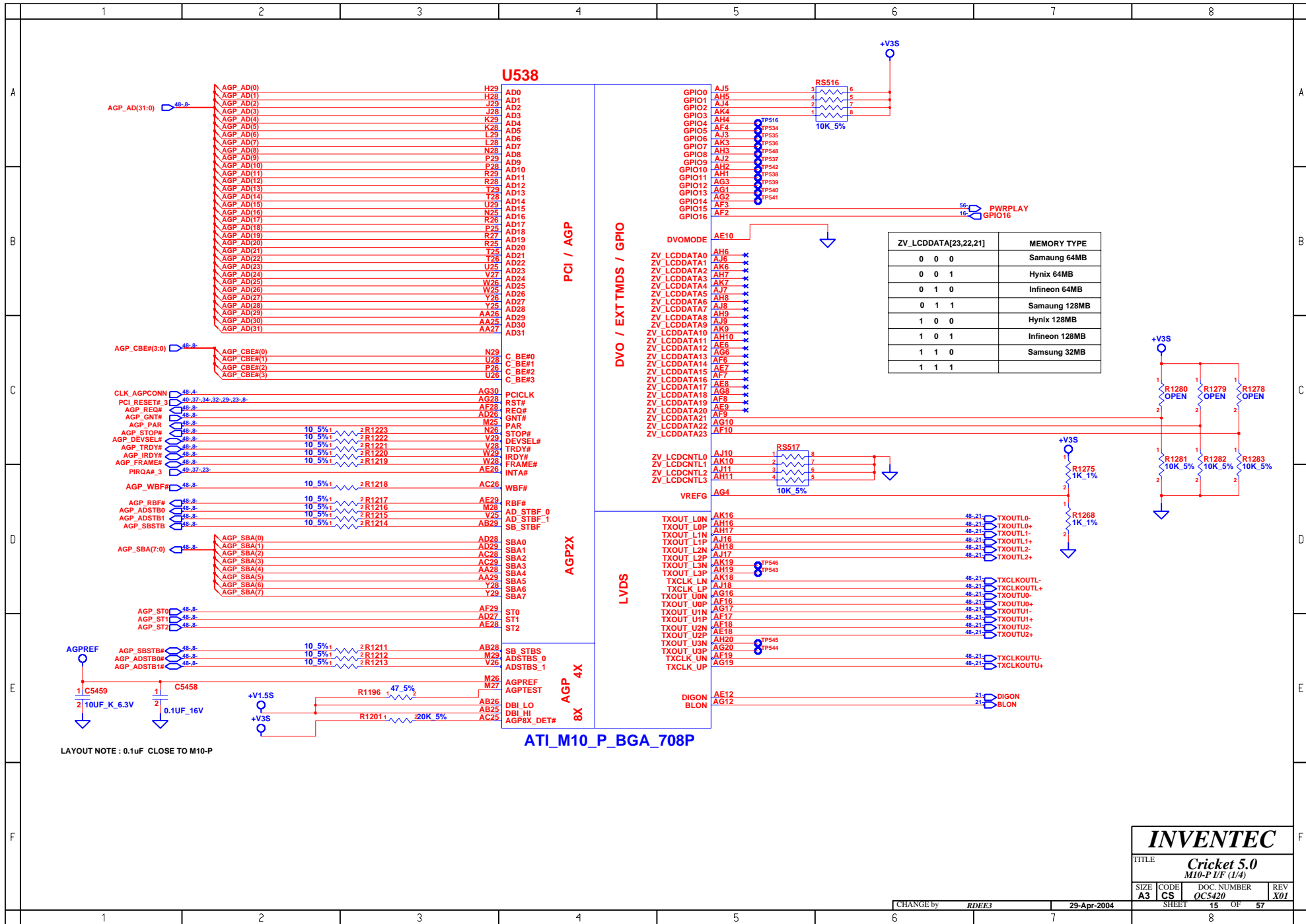
SIZE A3	CODE CS	DOC. NUMBER QCS420	REV X01
-------------------	-------------------	------------------------------	-------------------

CHANGE by **RDEE3** 9-Oct-2003

SHEET 13 OF 57



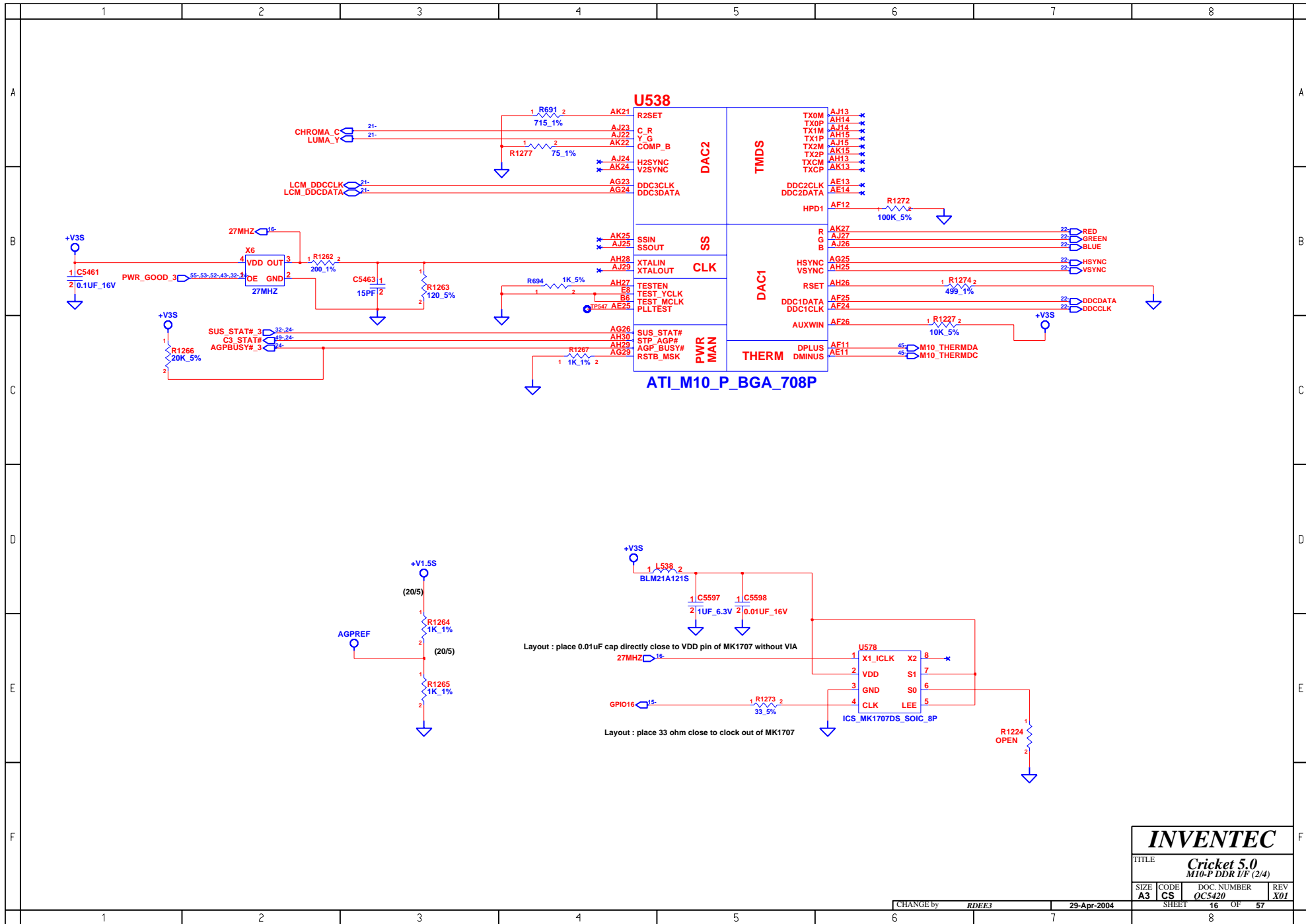
INVENTEC			
TITLE Cricket 5.0			
DDR(4/4)			
SIZE	CODE	DOC. NUMBER	REV
A3	CS	OC5420	X01
CHANGE by		RDEE3	9-Oct-2003
SHEET		14	OF 57



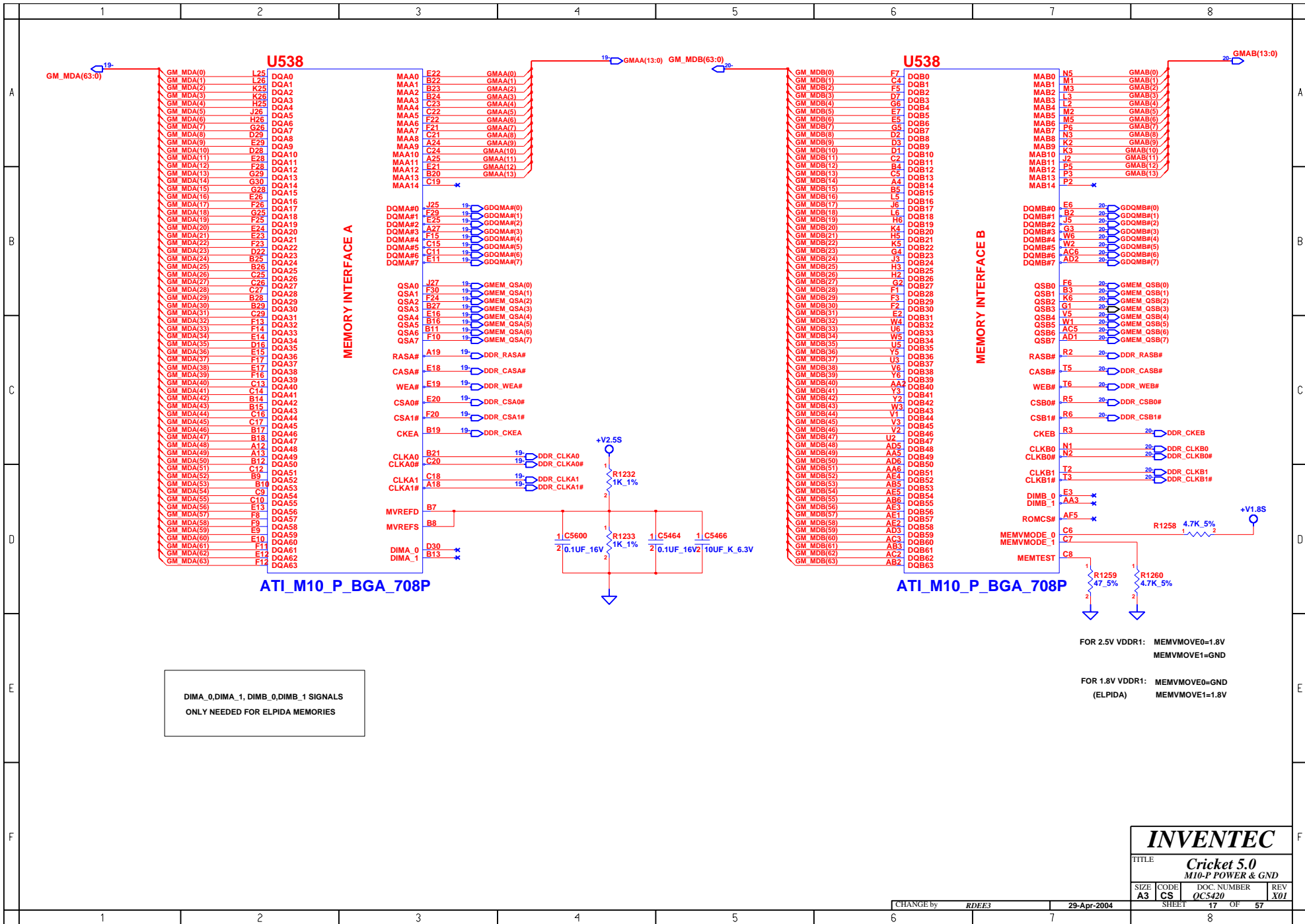
INVENTEC

TITLE **Cricket 5.0**
M10-P 1/F (1/4)

SIZE	CODE	DOC. NUMBER	REV
A3	CS	OC5420	X01



INVENTEC			
TITLE <i>Cricket 5.0</i>			
M10-P DDR I/F (2/4)			
SIZE	CODE	DOC. NUMBER	REV
A3	CS	QCS420	X01
CHANGE by		SHEET	OF
RDEE3		16	57
29-Apr-2004			



DIMA_0, DIMA_1, DIMB_0, DIMB_1 SIGNALS
ONLY NEEDED FOR ELPIDA MEMORIES

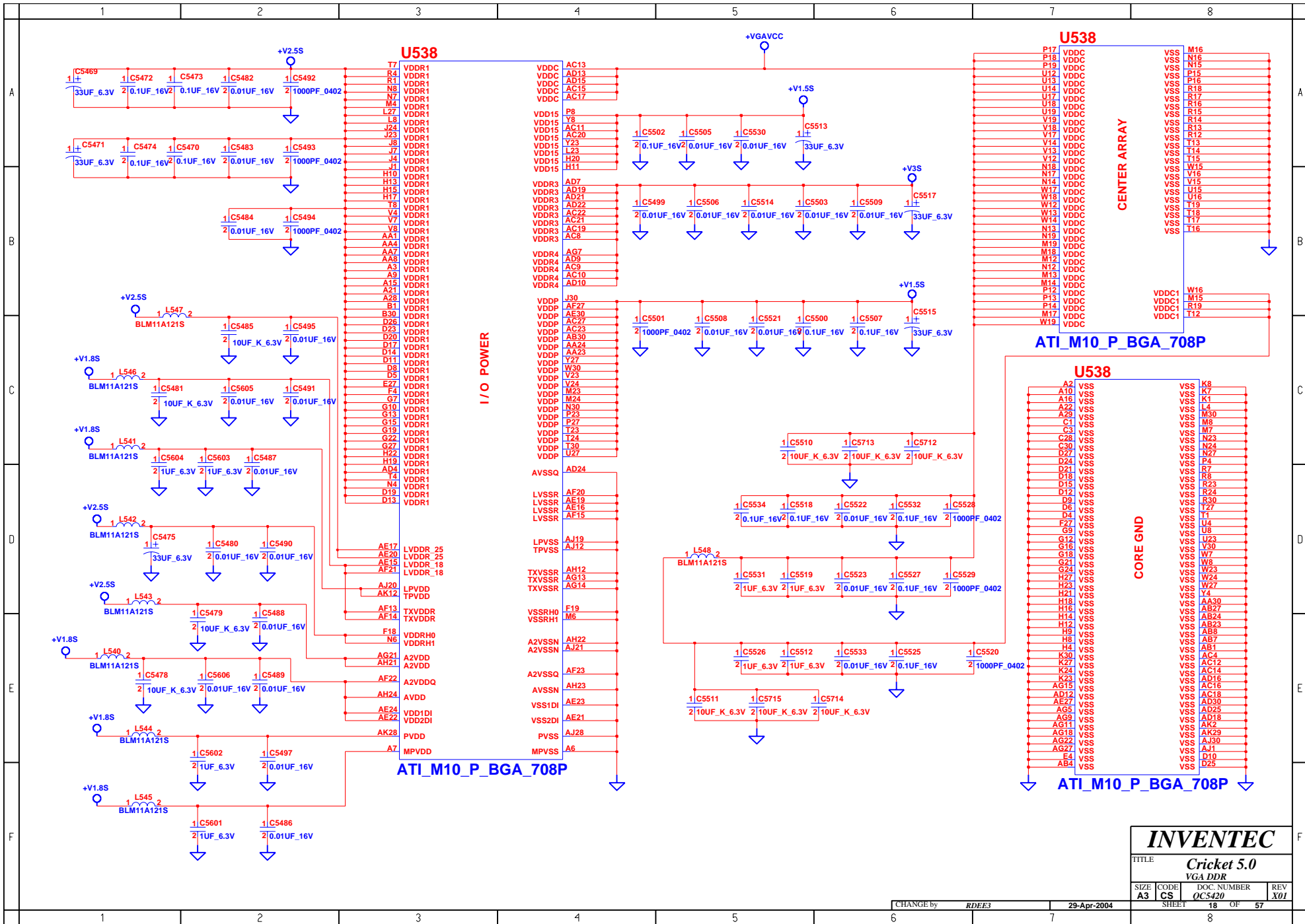
FOR 2.5V VDDR1: MEMVMOVE0=1.8V
MEMVMOVE1=GND

FOR 1.8V VDDR1: MEMVMOVE0=GND
(ELPIDA) MEMVMOVE1=1.8V

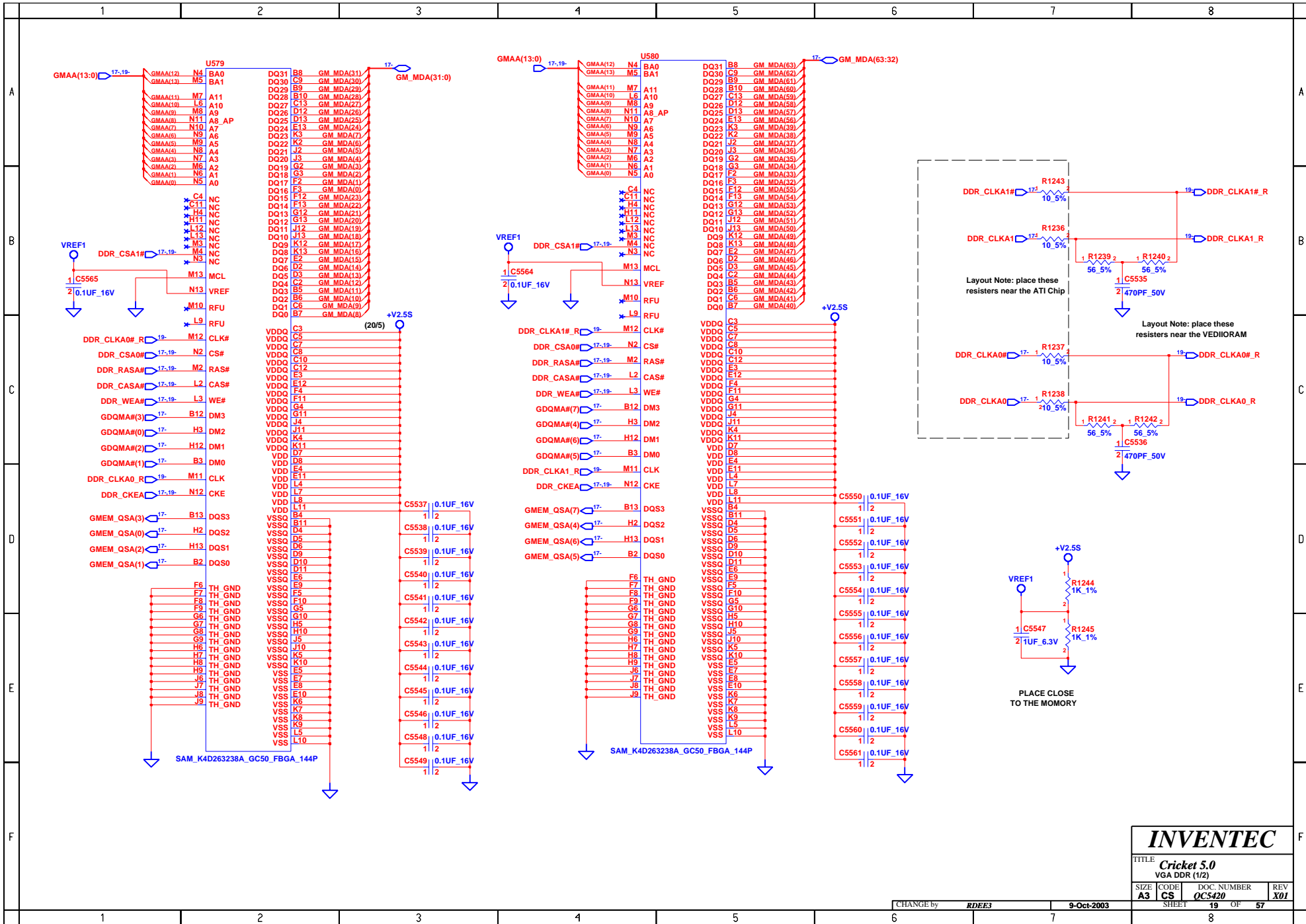
INVENTEC

TITLE **Cricket 5.0**
M10-P POWER & GND

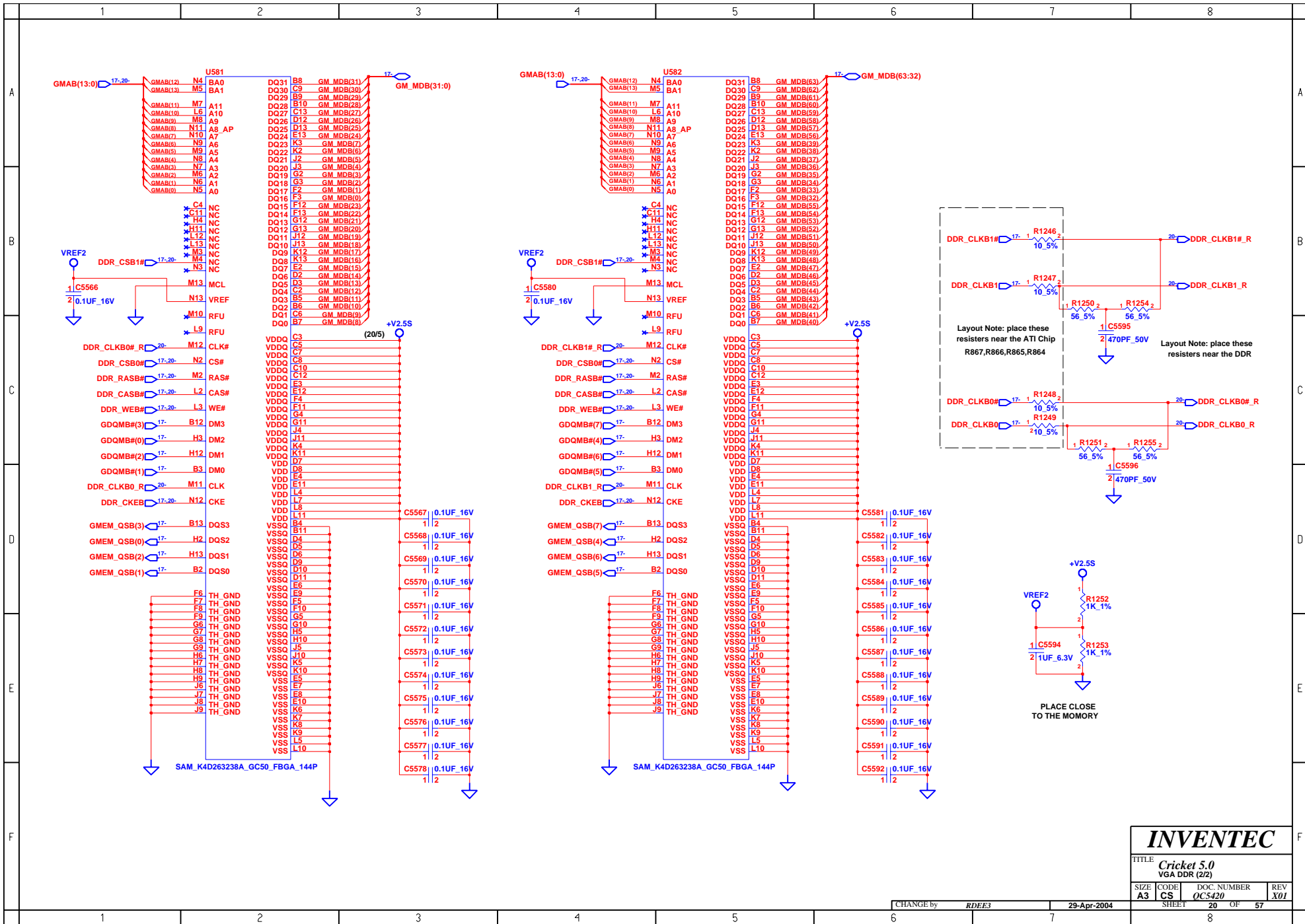
SIZE CODE CS DOC. NUMBER QCS420 REV X01



INVENTEC			
TITLE Cricket 5.0			
VGA DDR			
SIZE A3	CODE CS	DOC NUMBER QCS420	REV X01
CHANGE by RDEE3		29-Apr-2004	
SHEET 18		OF 57	



INVENTEC			
TITLE Cricket 5.0 VGA DDR (1/2)			
SIZE A3	CODE CS	DOC. NUMBER QCS420	REV X01
CHANGE by RDEE3		9-Oct-2003	
SHEET 19		OF 57	

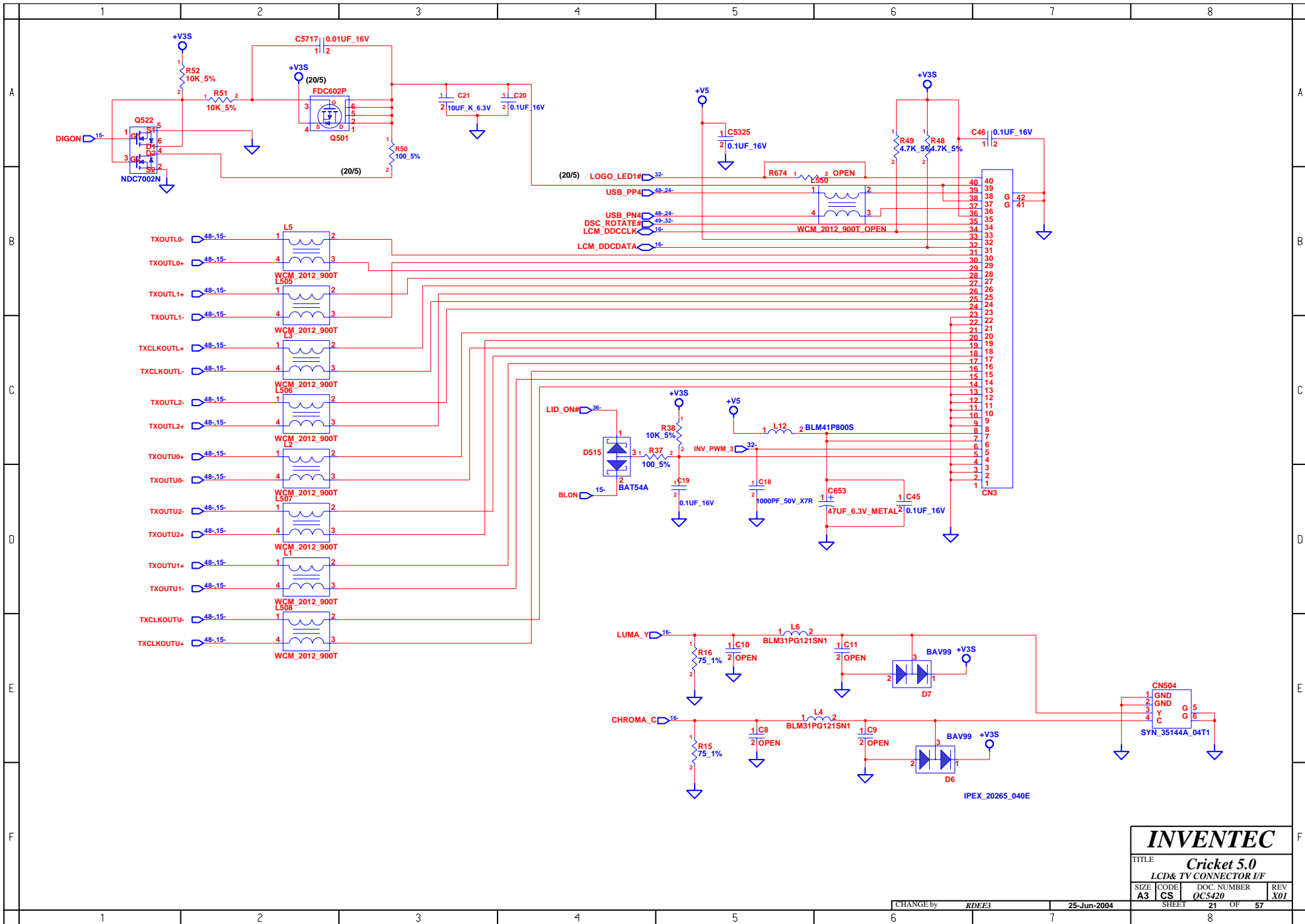


INVENTEC

TITLE
Cricket 5.0
VGA DDR (2/2)

SIZE	CODE	DOC. NUMBER	REV
A3	CS	QC5420	X01

CHANGE by RDE3 29-Apr-2004

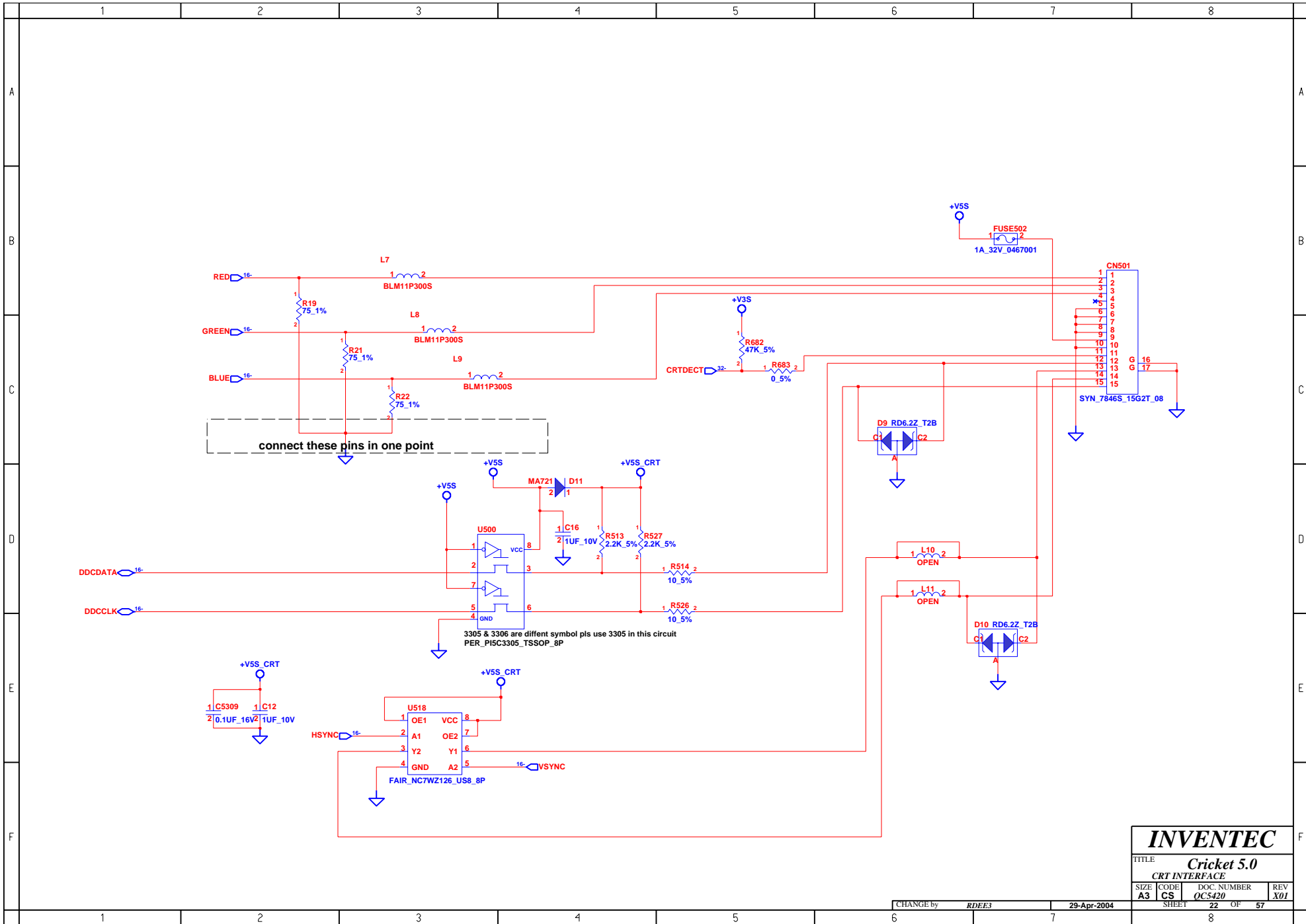


INVENTEC

TITLE **Cricket 5.0**
LCD & TV CONNECTOR I/F

SIZE	CODE	DOC. NUMBER	REV
A3	CS	QC5420	X01

CHANGE by	RDEE3	25-Jun-2004
SHEET	21	OF 57

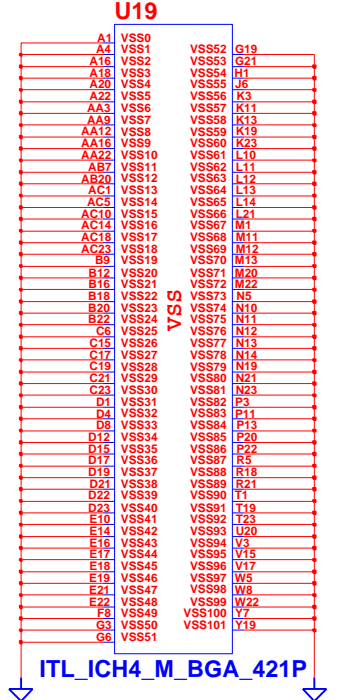
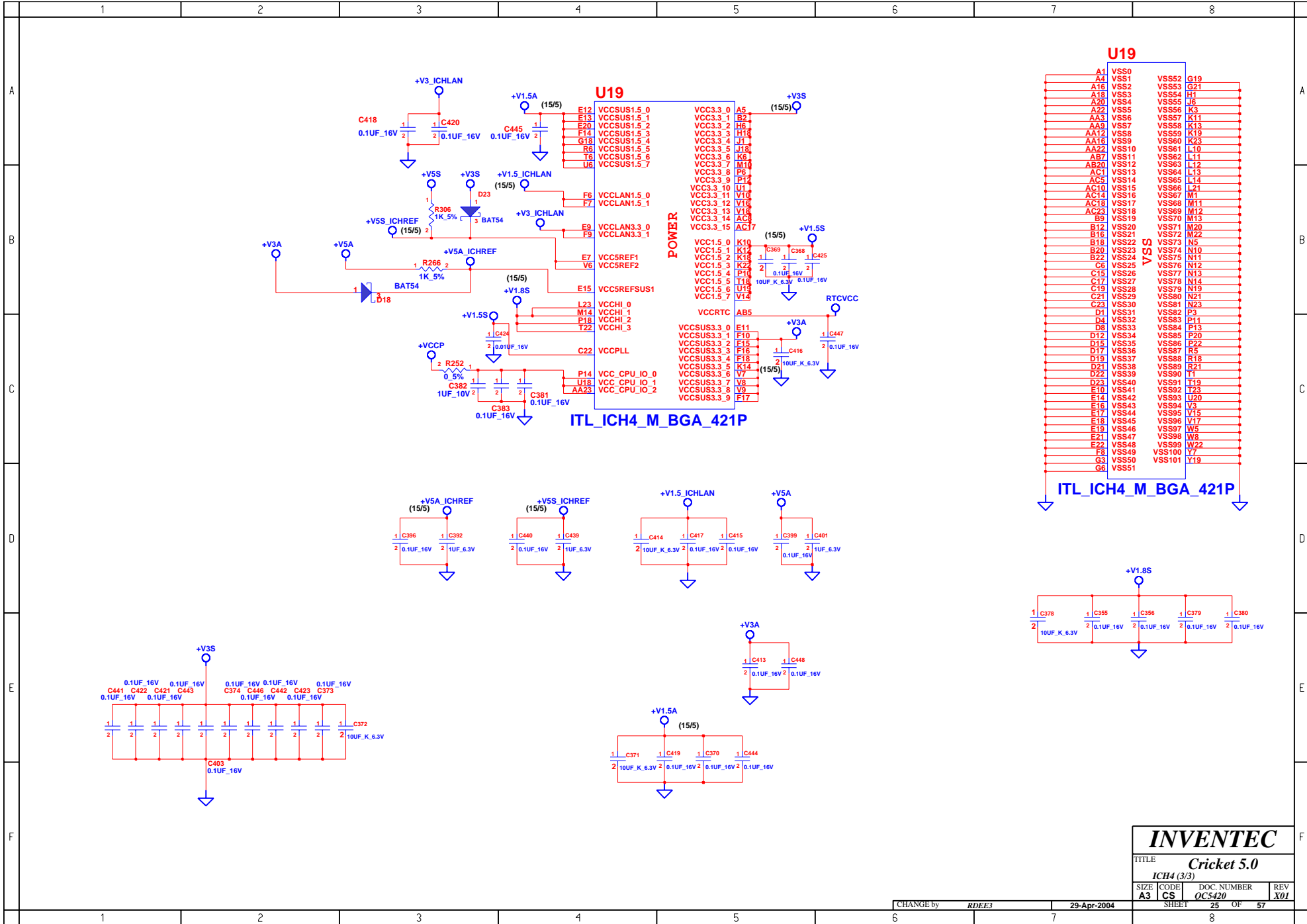


INVENTEC

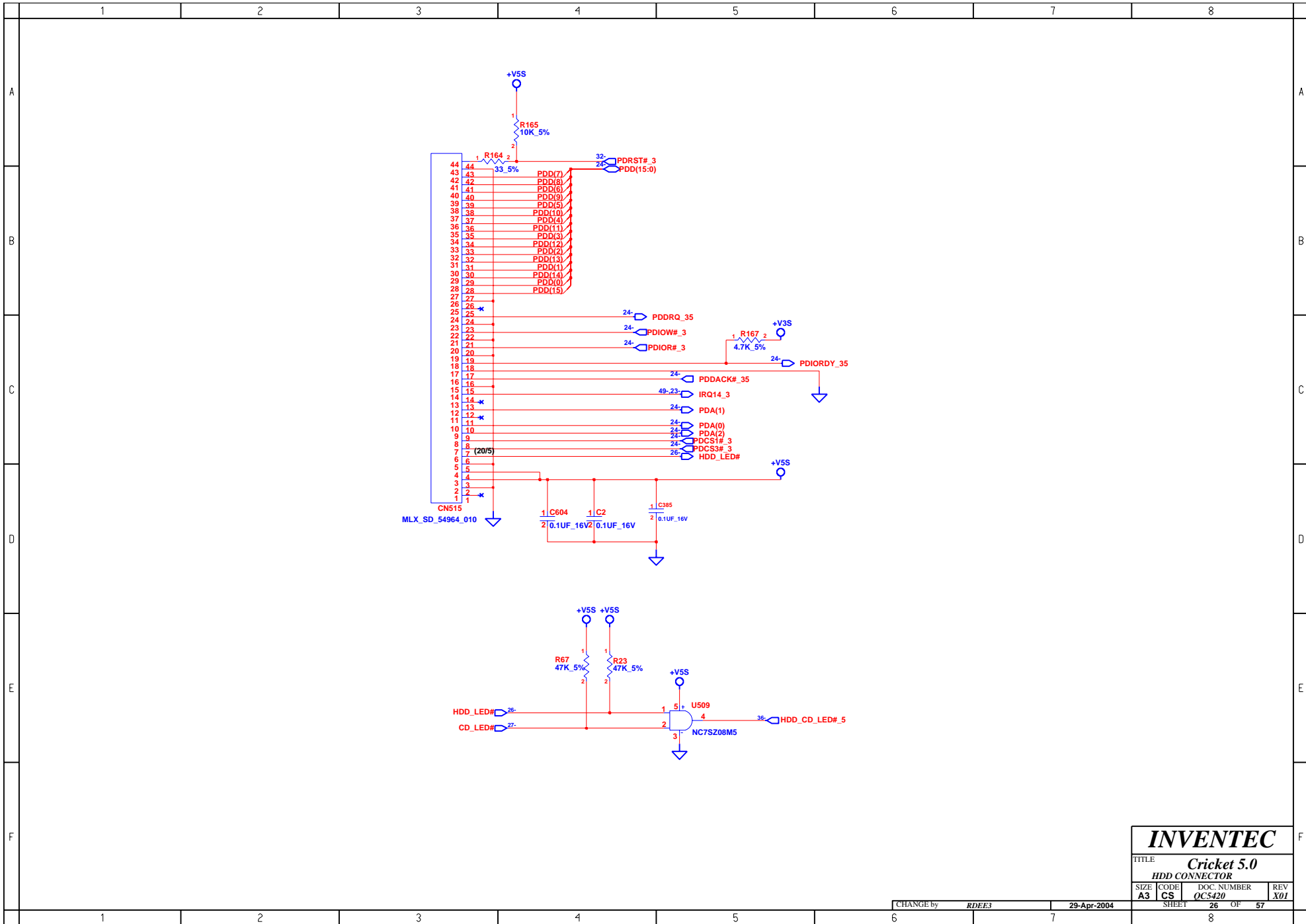
TITLE **Cricket 5.0**
CRT INTERFACE

SIZE	CODE	DOC. NUMBER	REV
A3	CS	QC5420	X01

CHANGE by	RDEE3	29-Apr-2004	SHEET 22 OF 57
-----------	-------	-------------	----------------



INVENTEC			
TITLE Cricket 5.0			
ICH4 (3/3)			
SIZE	CODE	DOC. NUMBER	REV
A3	CS	OC5420	X01



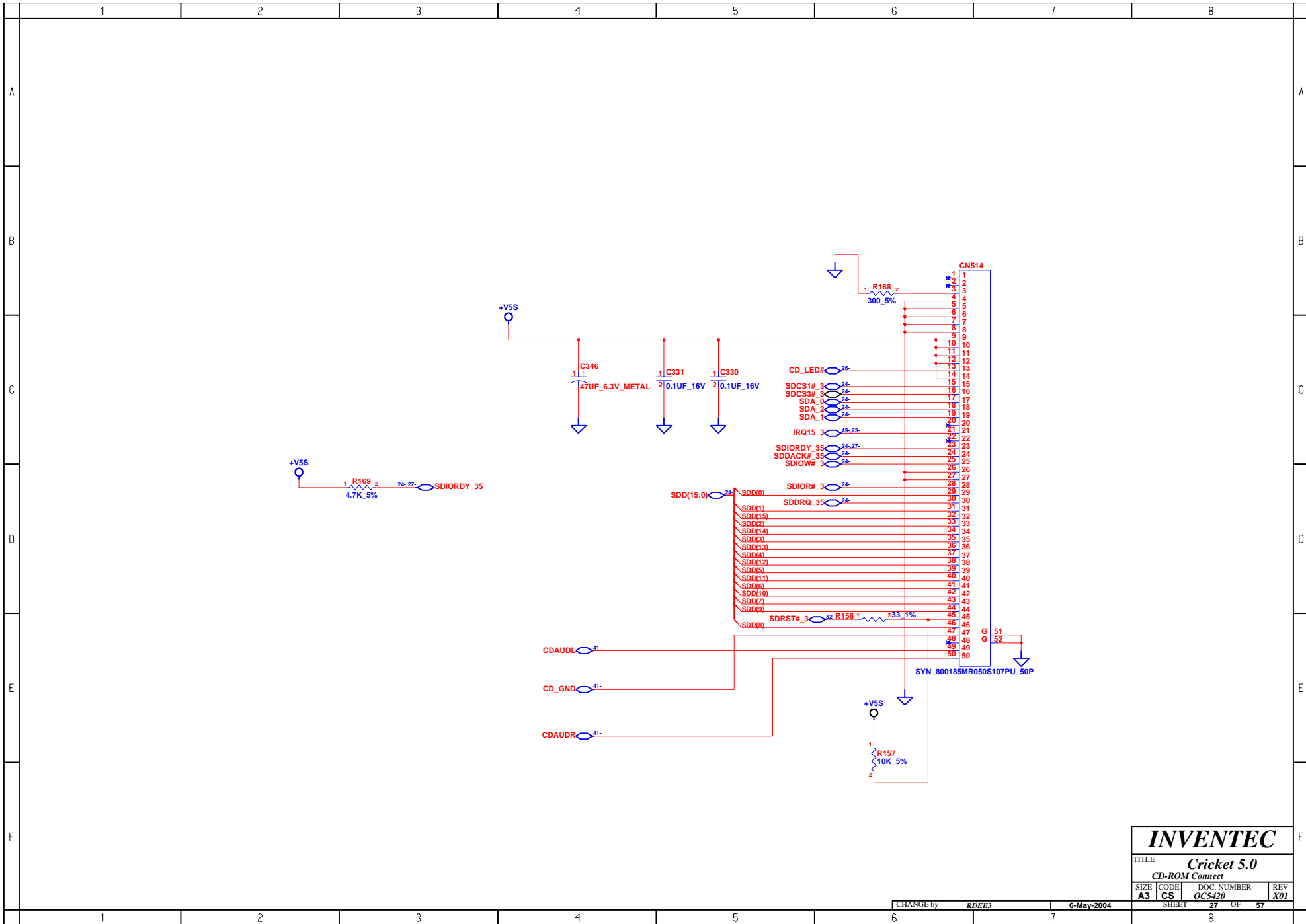
INVENTEC

TITLE **Cricket 5.0**
HDD CONNECTOR

SIZE	CODE	DOC. NUMBER	REV
A3	CS	OC5420	X01

CHANGE by RDEE3 29-Apr-2004

SHEET 26 OF 57



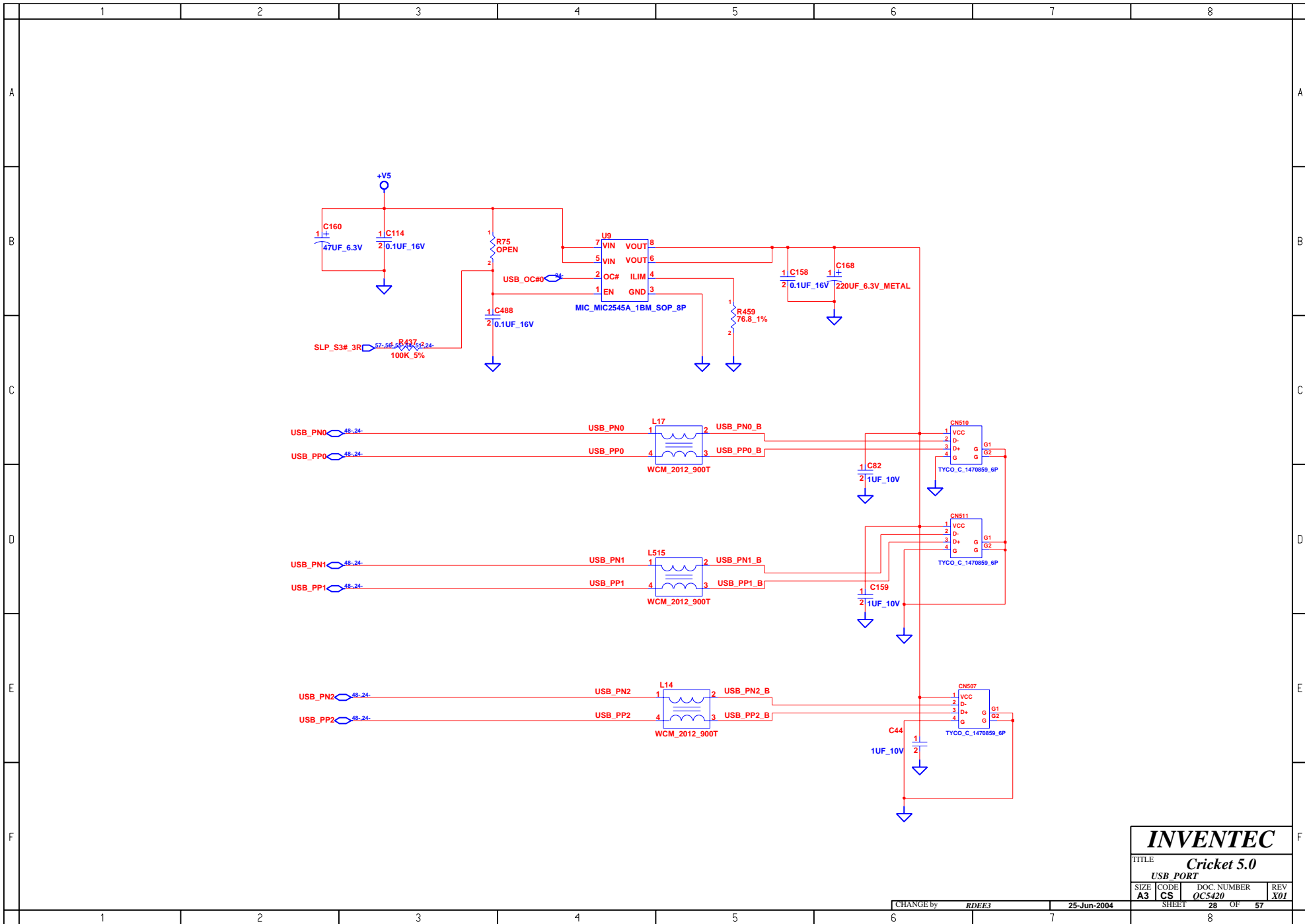
INVENTEC

TITLE **Cricket 5.0**
CD-ROM Connect

SIZE	CODE	DOC. NUMBER	REV
A3	CS	OC5420	X01

CHANGE by RDEE3 6-May-2004

SHEET 27 OF 57



INVENTEC

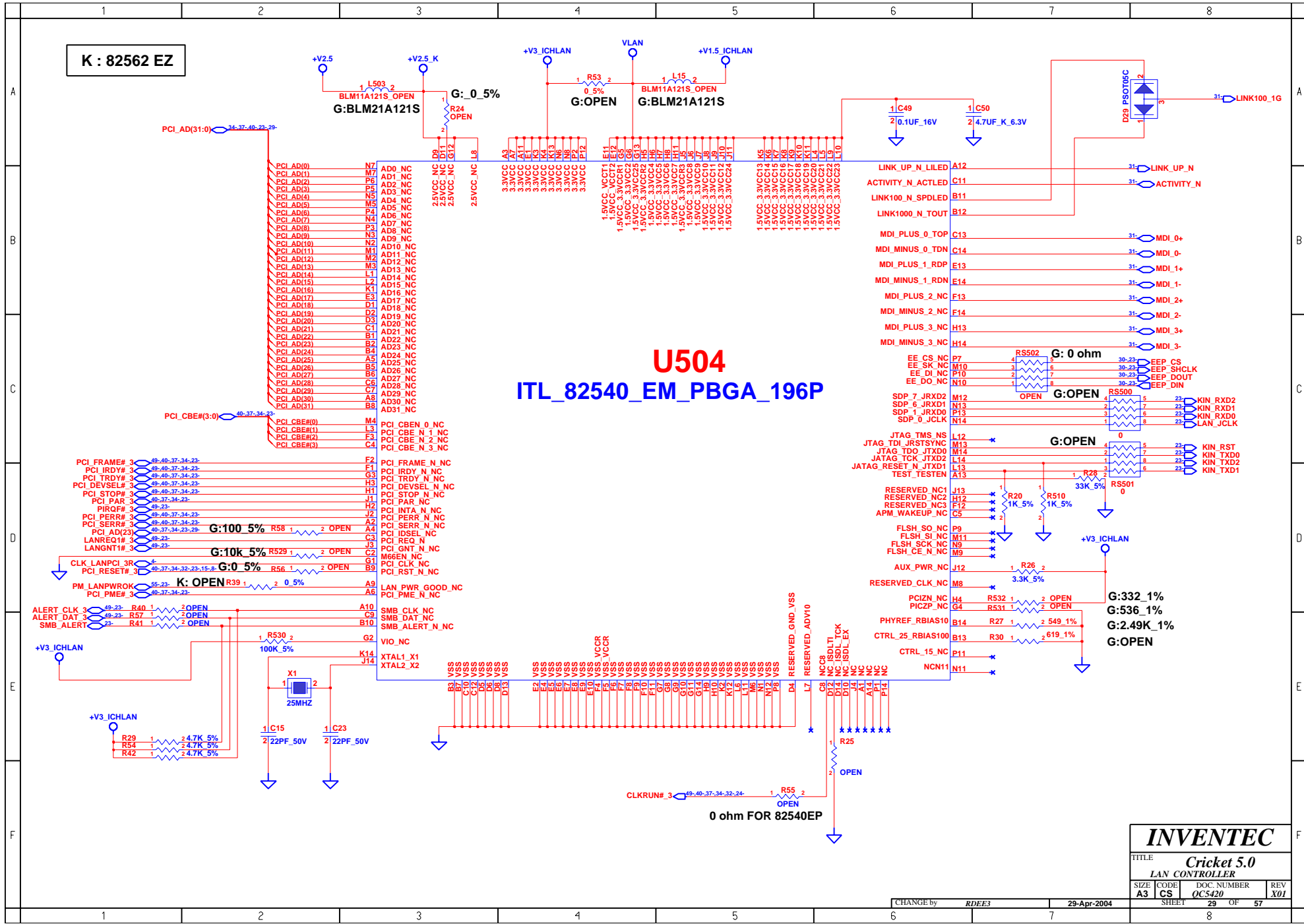
TITLE **Cricket 5.0**
USB PORT

SIZE	CODE	DOC. NUMBER	REV
A3	CS	QC5420	X01

CHANGE by **RDEE3** 25-Jun-2004

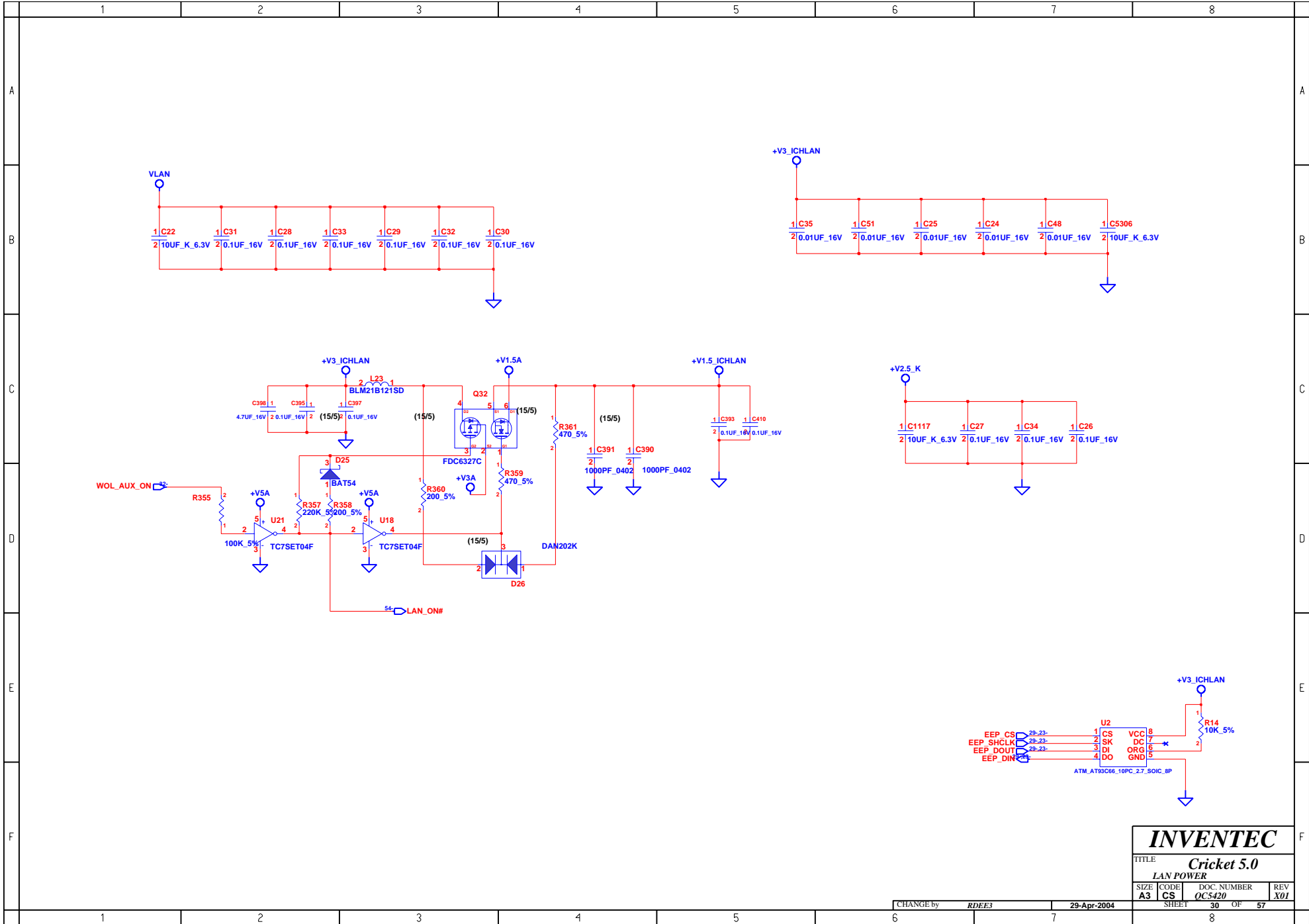
SHEET 28 OF 57

K : 82562 EZ

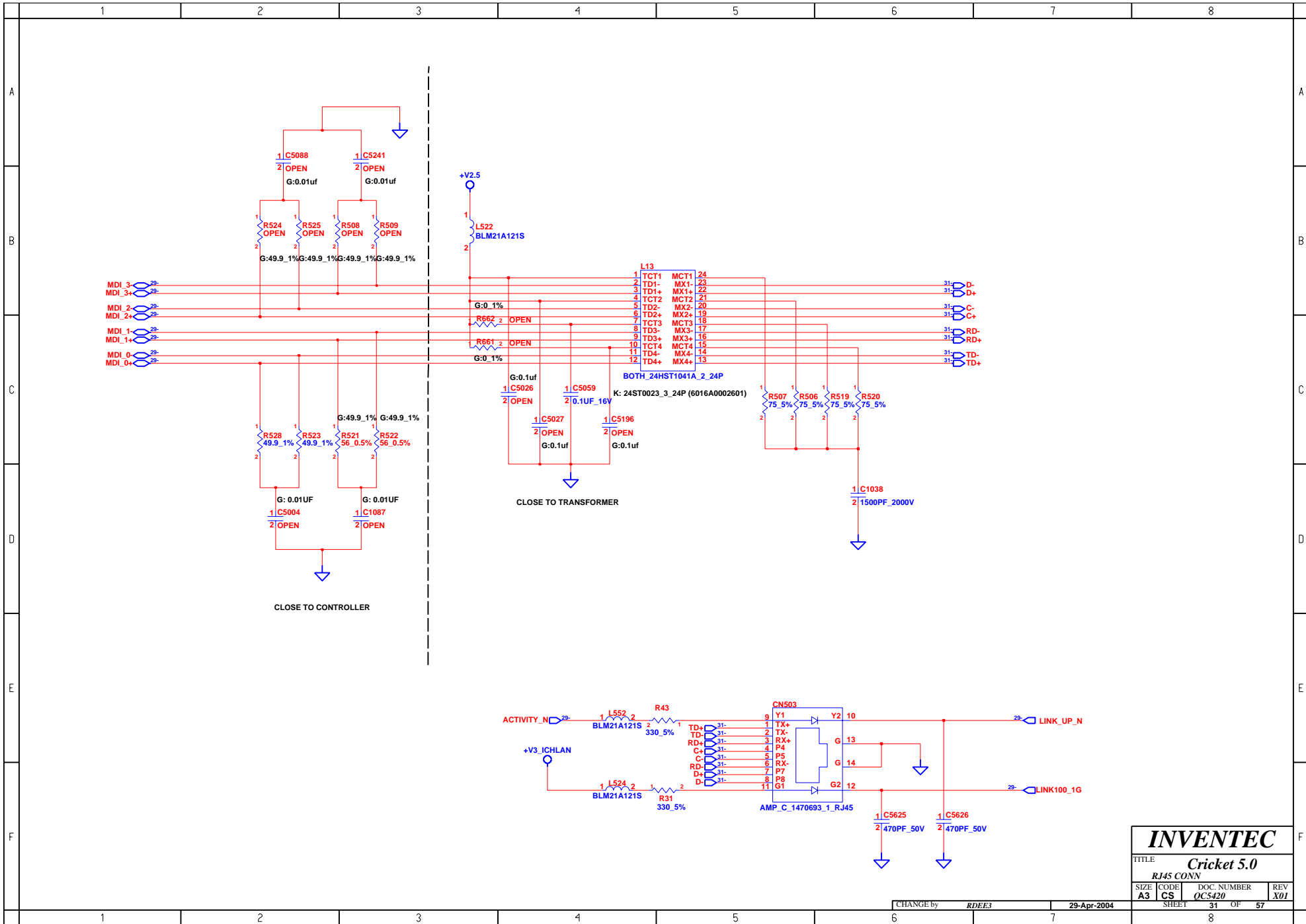


U504
ITL_82540_EM_PBGA_196P

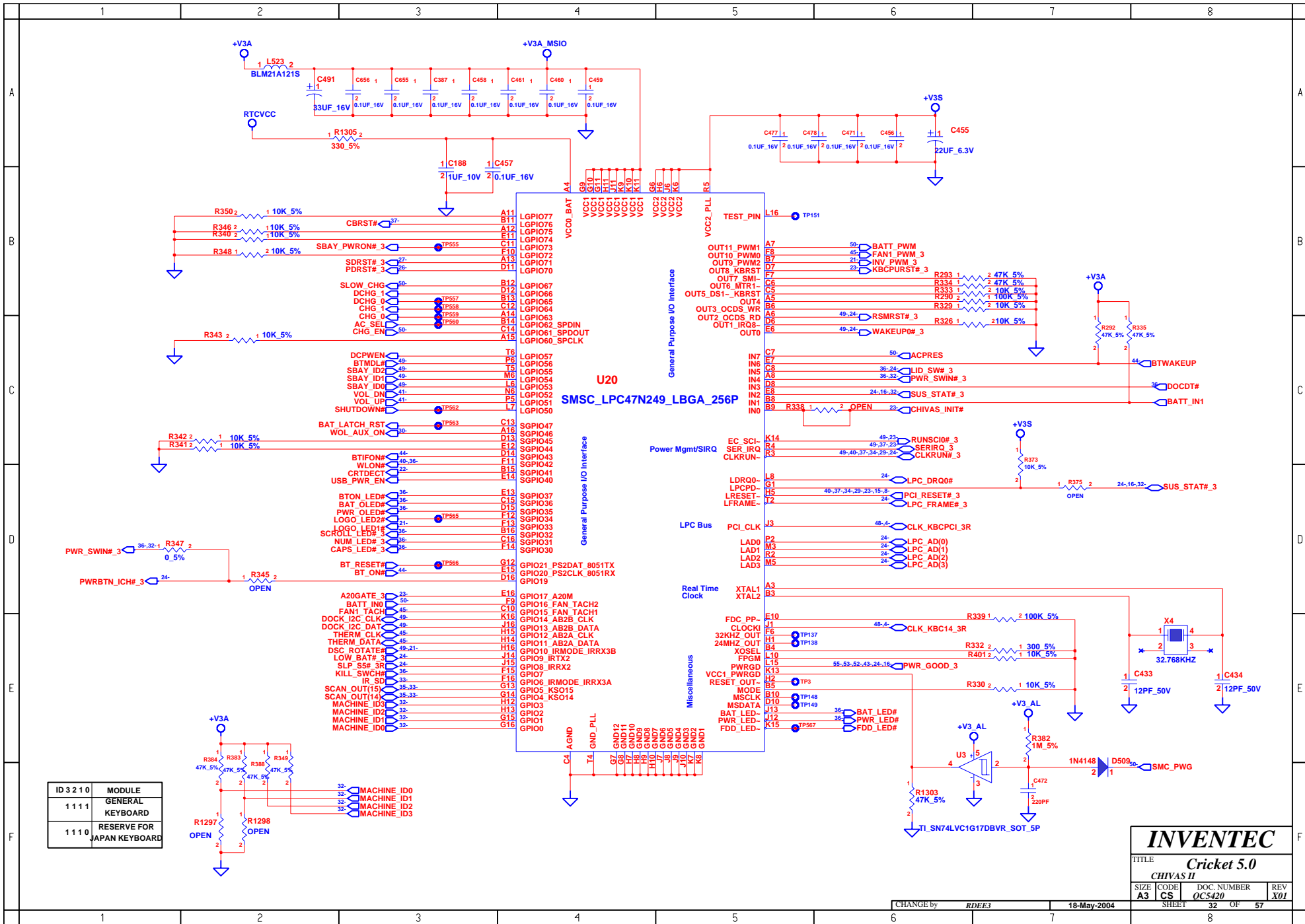
INVENTEC			
TITLE Cricket 5.0			
LAN CONTROLLER			
SIZE A3	CODE CS	DOC. NUMBER OC5420	REV X01
CHANGE by RDEE3		29-Apr-2004	
SHEET 29		OF 57	



INVENTEC			
TITLE Cricket 5.0			
LAN POWER			
SIZE A3	CODE CS	DOC. NUMBER OC5420	REV X01
CHANGE by RDEE3		29-Apr-2004	SHEET 30 OF 57

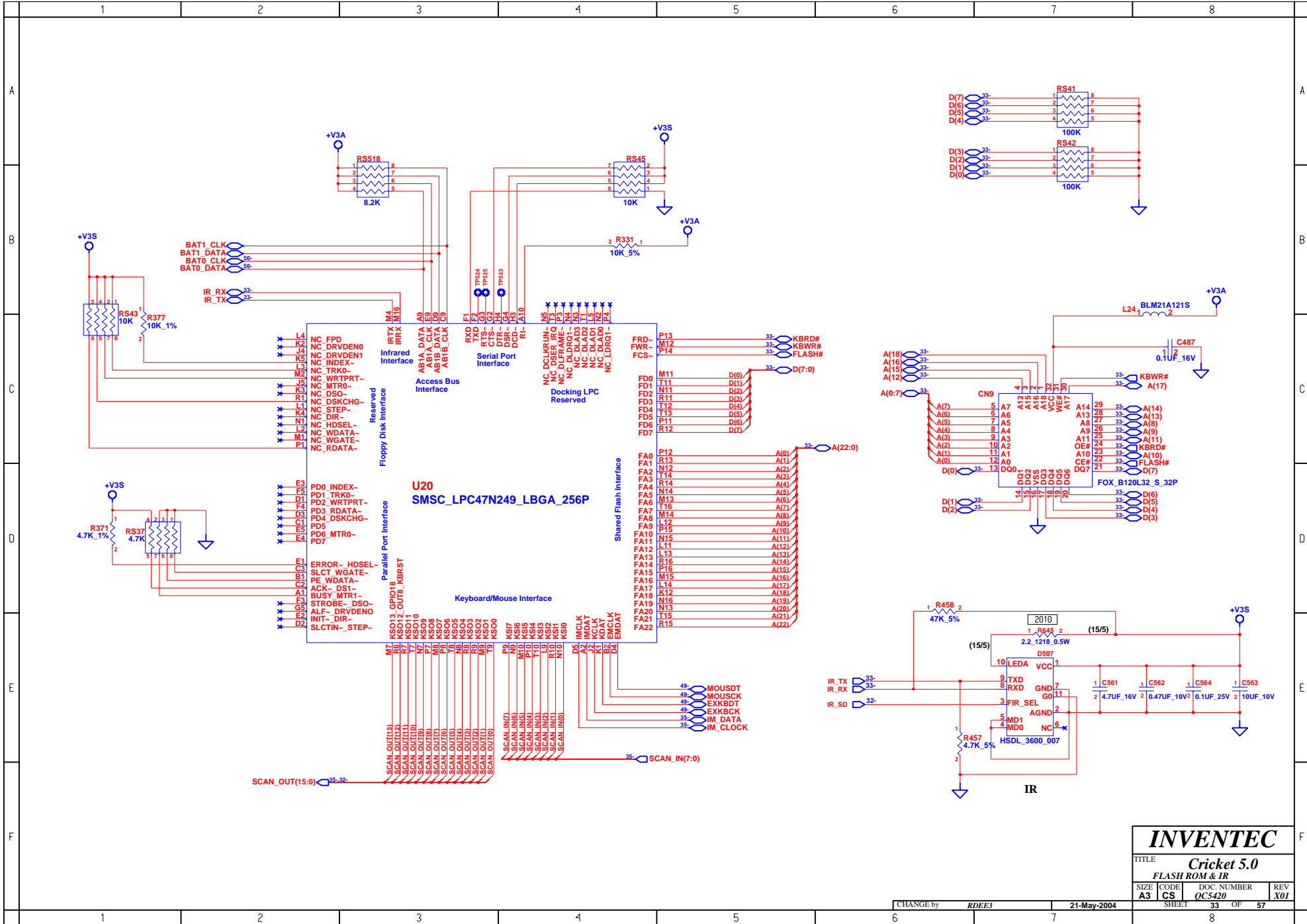


INVENTEC			
TITLE <i>Cricket 5.0</i>			
RJ45 CONN			
SIZE A3	CODE CS	DOC. NUMBER QC5420	REV X01
CHANGE by RDEE3		29-Apr-2004	
SHEET 31		OF 57	

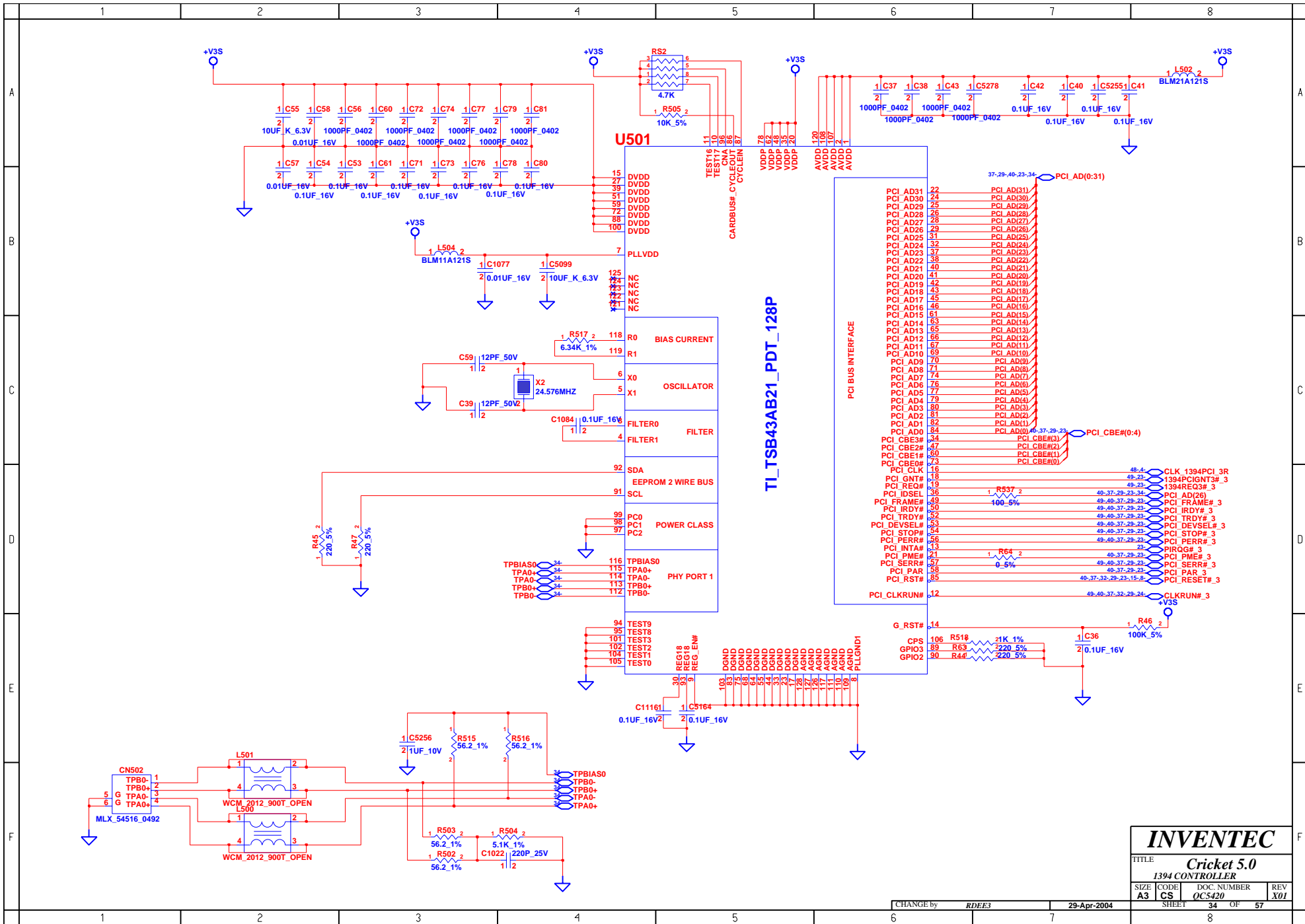


ID	3	2	1	MODULE
1	1	1	1	GENERAL KEYBOARD
1	1	1	0	RESERVE FOR JAPAN KEYBOARD

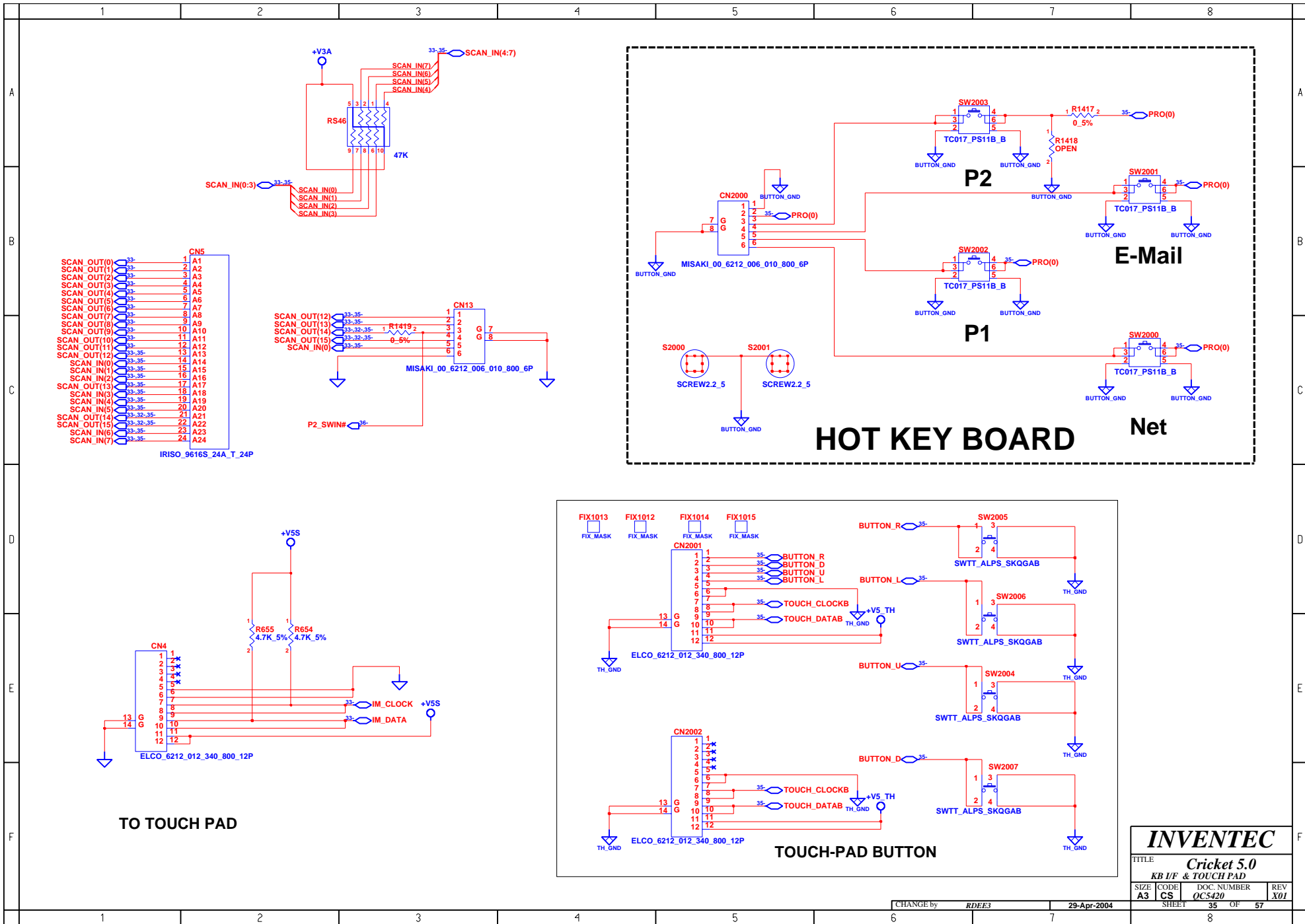
INVENTEC			
TITLE Cricket 5.0			
CHIVAS II			
SIZE	CODE	DOC. NUMBER	REV
A3	CS	QCS420	X01



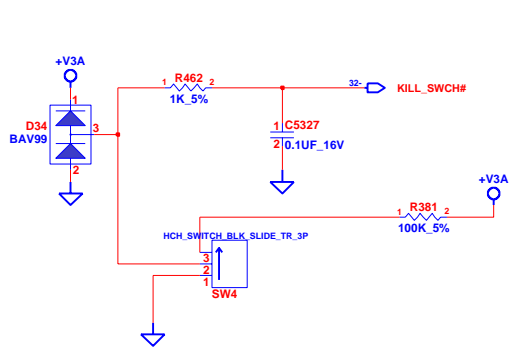
INVENTEC			
TITLE Cricket 5.0			
FLASH ROM & IR			
SIZE	CODE	DOC. NUMBER	REV
A3	CS	OC5420	X01
CHANGE by		RDEE3	21-May-2004
SHEET		33	OF 57



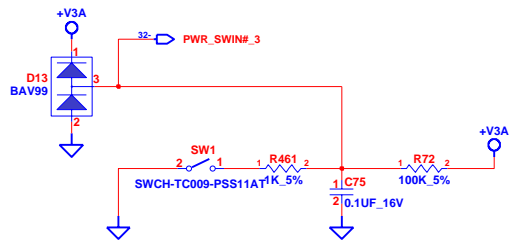
INVENTEC			
TITLE Cricket 5.0			
1394 CONTROLLER			
SIZE	CODE	DOC. NUMBER	REV
A3	CS	OC5420	X01



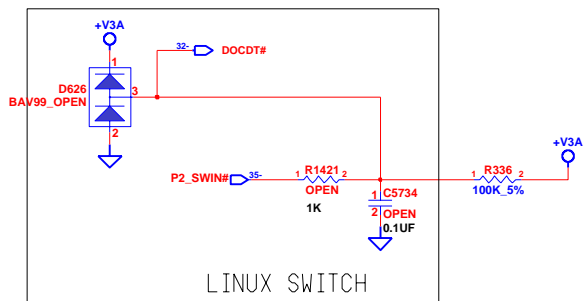
INVENTEC			
TITLE <i>Cricket 5.0</i>			
KB I/F & TOUCH PAD			
SIZE	CODE	DOC. NUMBER	REV
A3	CS	QCS420	X01
CHANGE by		29-Apr-2004	
RDEE3		SHEET 35 OF 57	



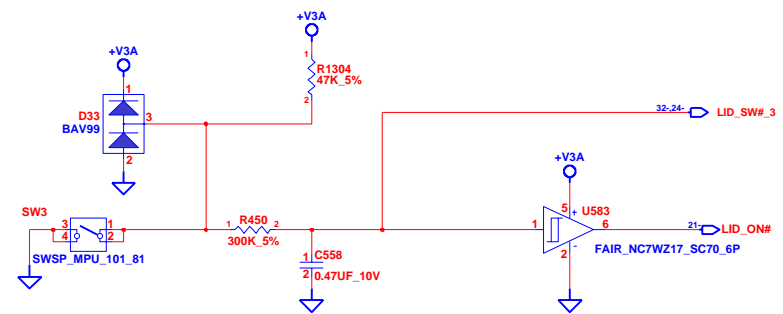
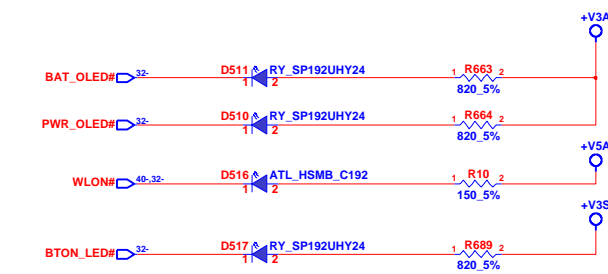
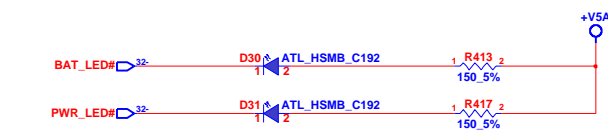
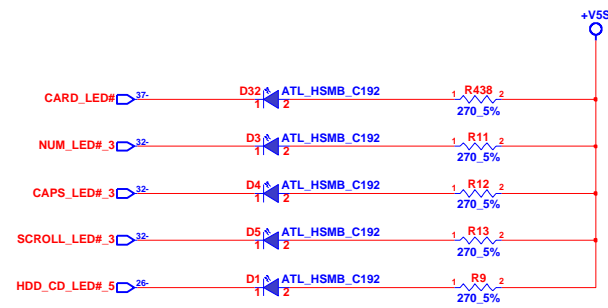
KILL SWITCH



PWR SWITCH



LINUX SWITCH



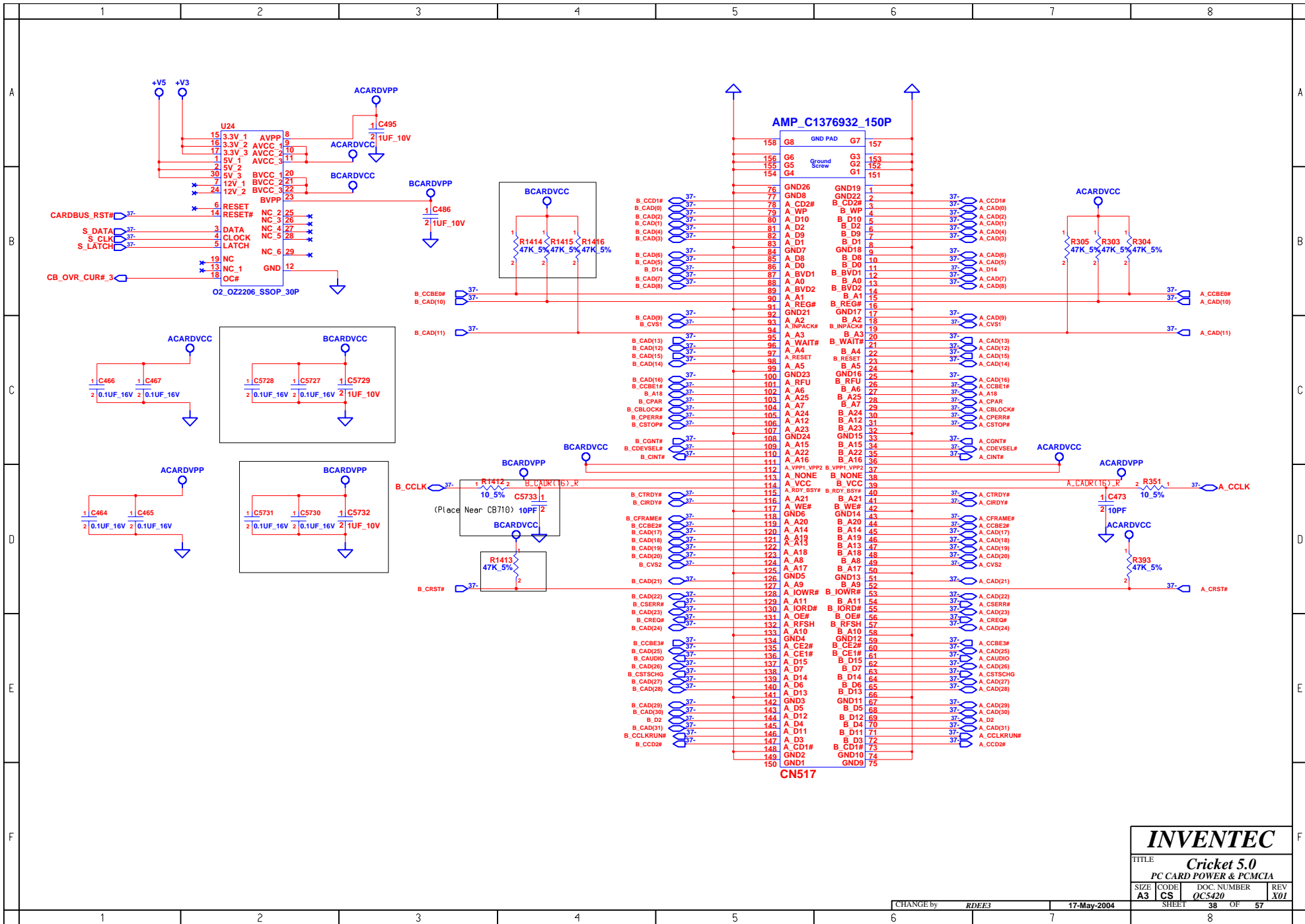
LID SWITCH

INVENTEC

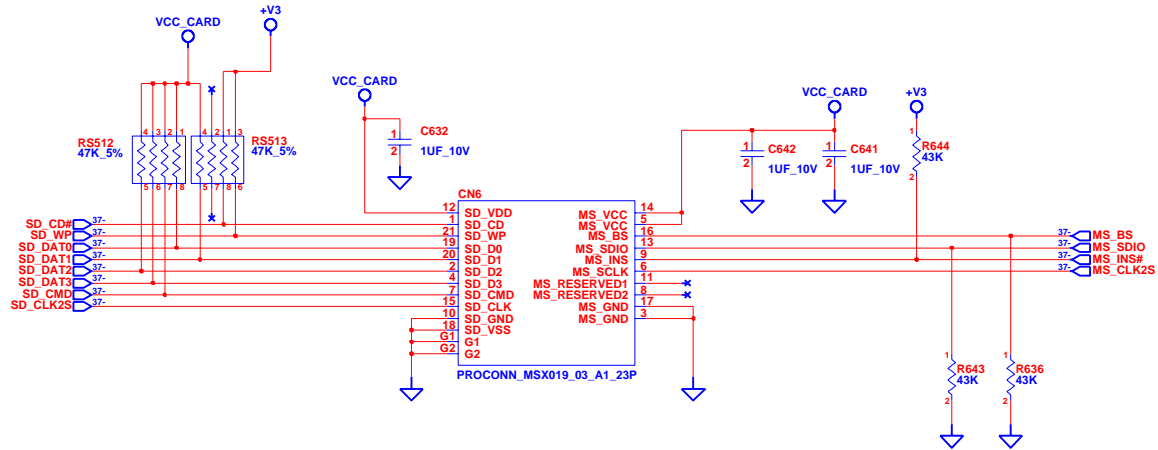
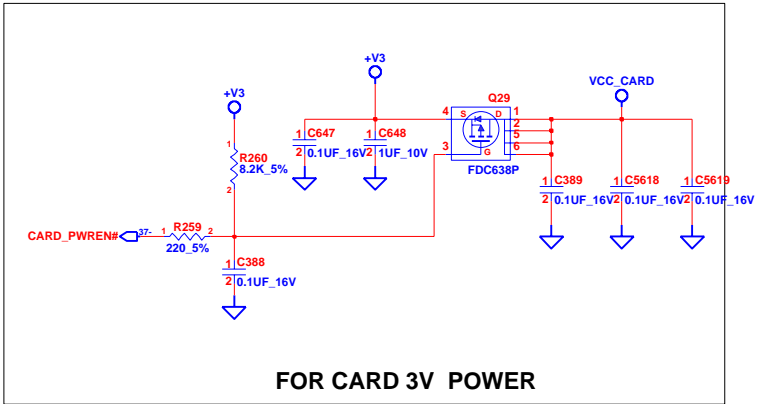
TITLE			
Cricket 5.0			
SWITCHES / LEDS			
SIZE	CODE	DOC. NUMBER	REV
A3	CS	QC5420	X01

CHANGE by RDEE3 29-Apr-2004

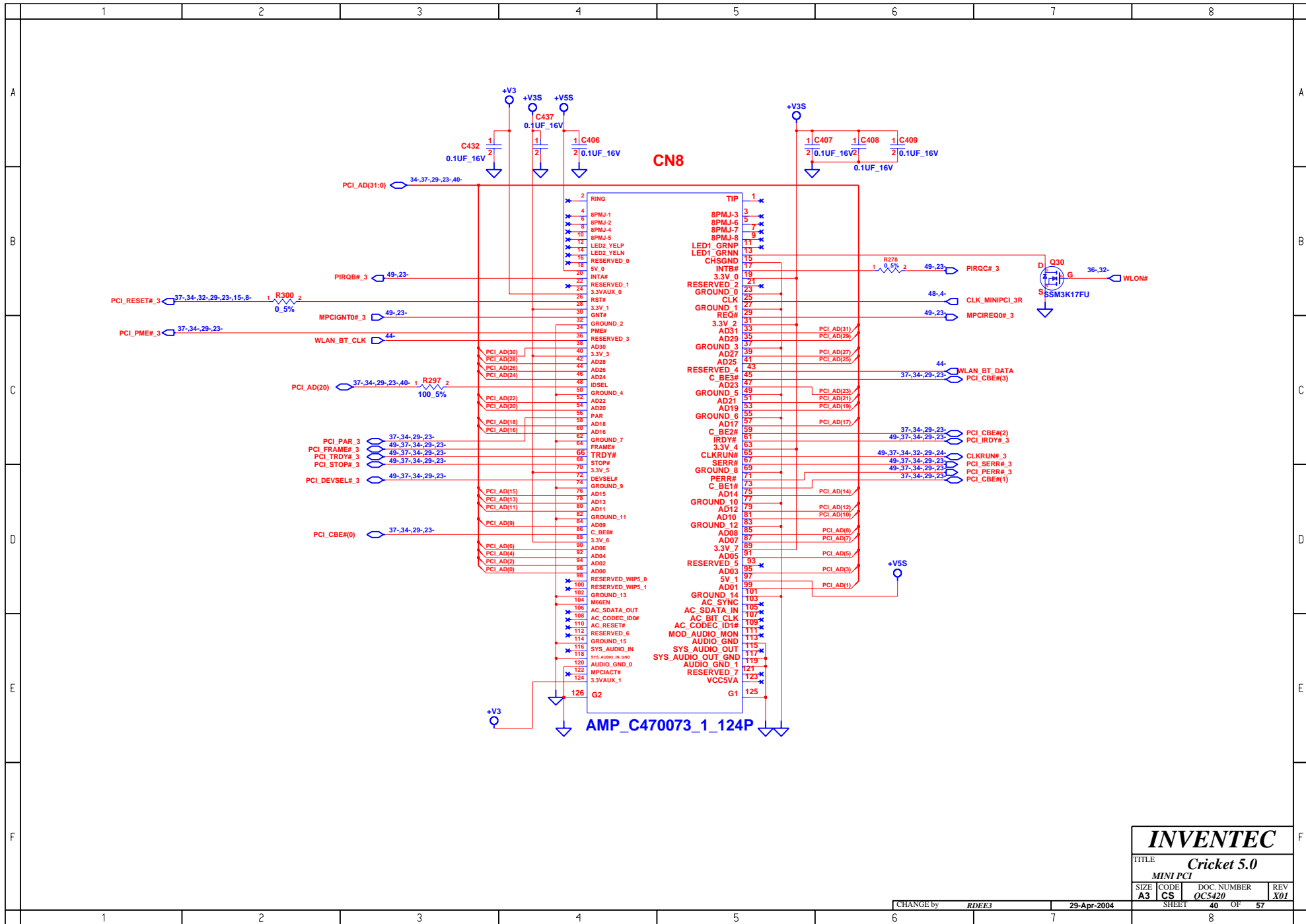
SHEET 36 OF 57



INVENTEC			
TITLE Cricket 5.0			
PC CARD POWER & PCMCIA			
SIZE	CODE	DOC. NUMBER	REV
A3	CS	QCS420	X01
CHANGE by		RDEE3	17-May-2004
SHEET		38	OF 57



INVENTEC			
TITLE Cricket 5.0			
3 IN 1 Connector			
SIZE	CODE	DOC. NUMBER	REV
A3	CS	OC5420	X01
CHANGE by		29-Apr-2004	
RDEE3		SHEET 39 OF 57	



INVENTEC

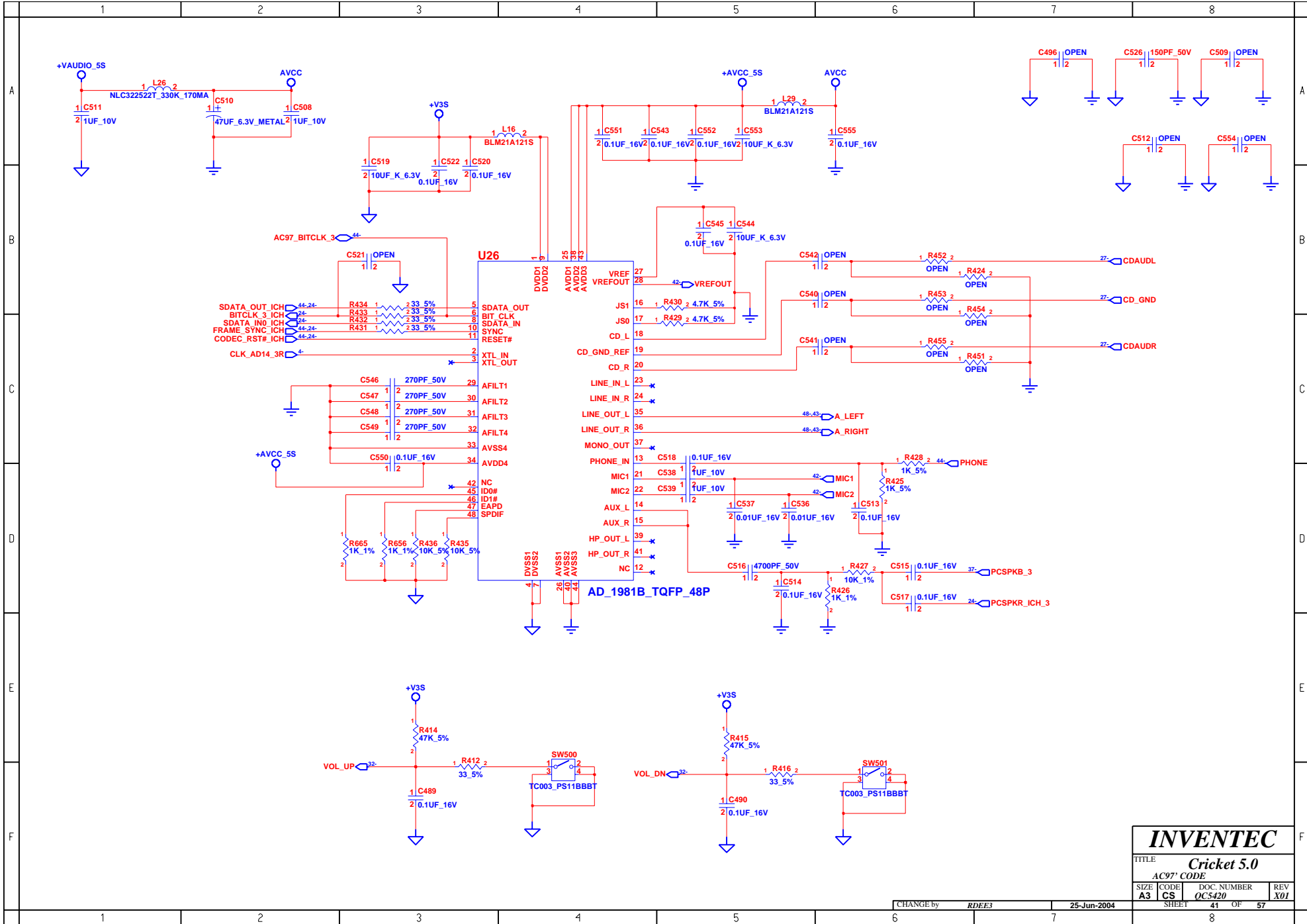
TITLE **Cricket 5.0**

MINI PCI

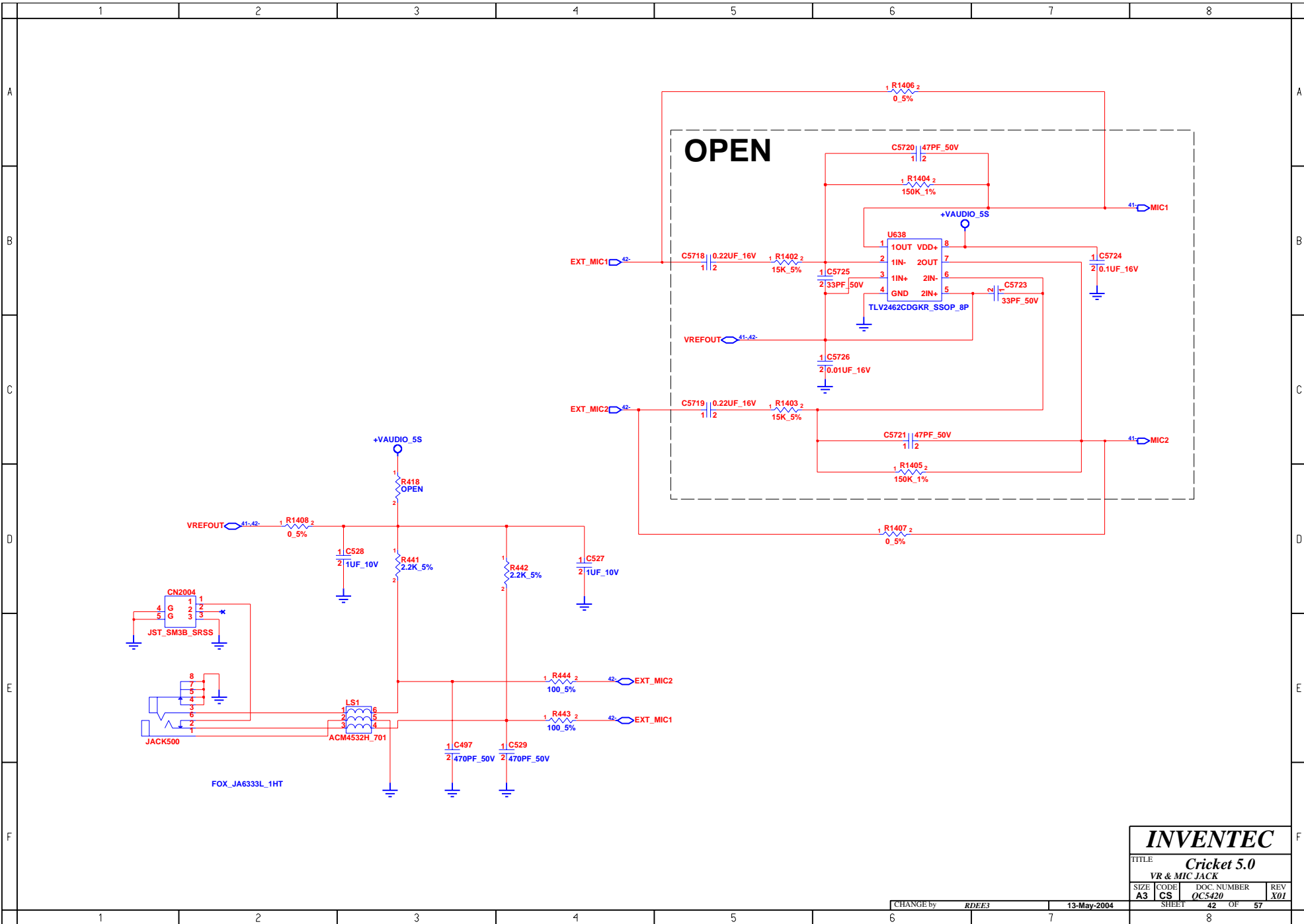
SIZE	CODE	DOC. NUMBER	REV
A3	CS	QCS420	X01

CHANGE by **RDEE3** 29-Apr-2004

SHEET 40 OF 57



INVENTEC			
TITLE Cricket 5.0			
AC97' CODE			
SIZE A3	CODE CS	DOC. NUMBER QC5420	REV X01
CHANGE by RDEE3		25-Jun-2004	
SHEET 41		OF 57	

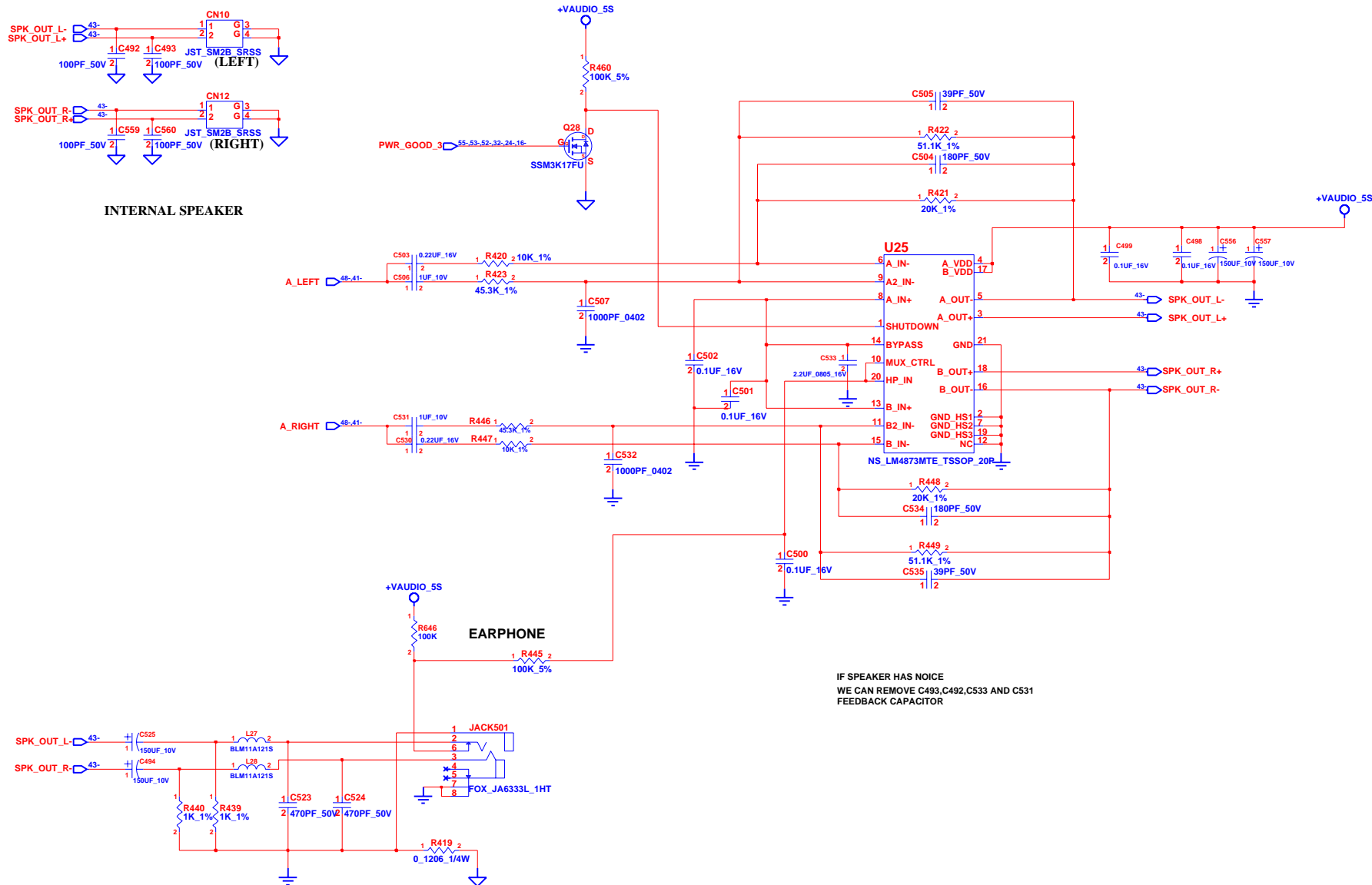


INVENTEC

TITLE **Cricket 5.0**
 VR & MIC JACK

SIZE	CODE	DOC. NUMBER	REV
A3	CS	QCS420	X01

CHANGE by	RDEE3	13-May-2004
SHEET	42	OF 57

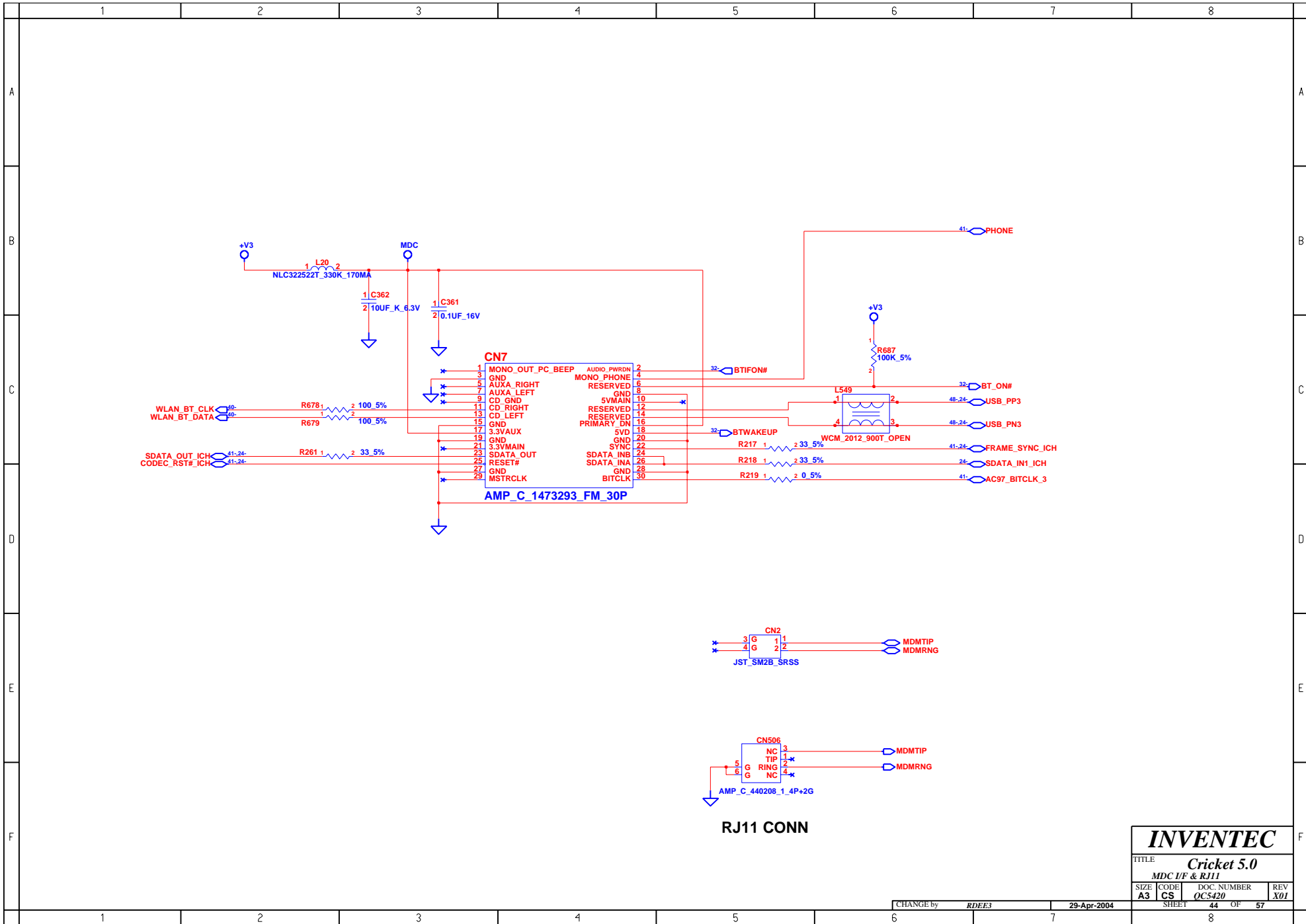


INTERNAL SPEAKER

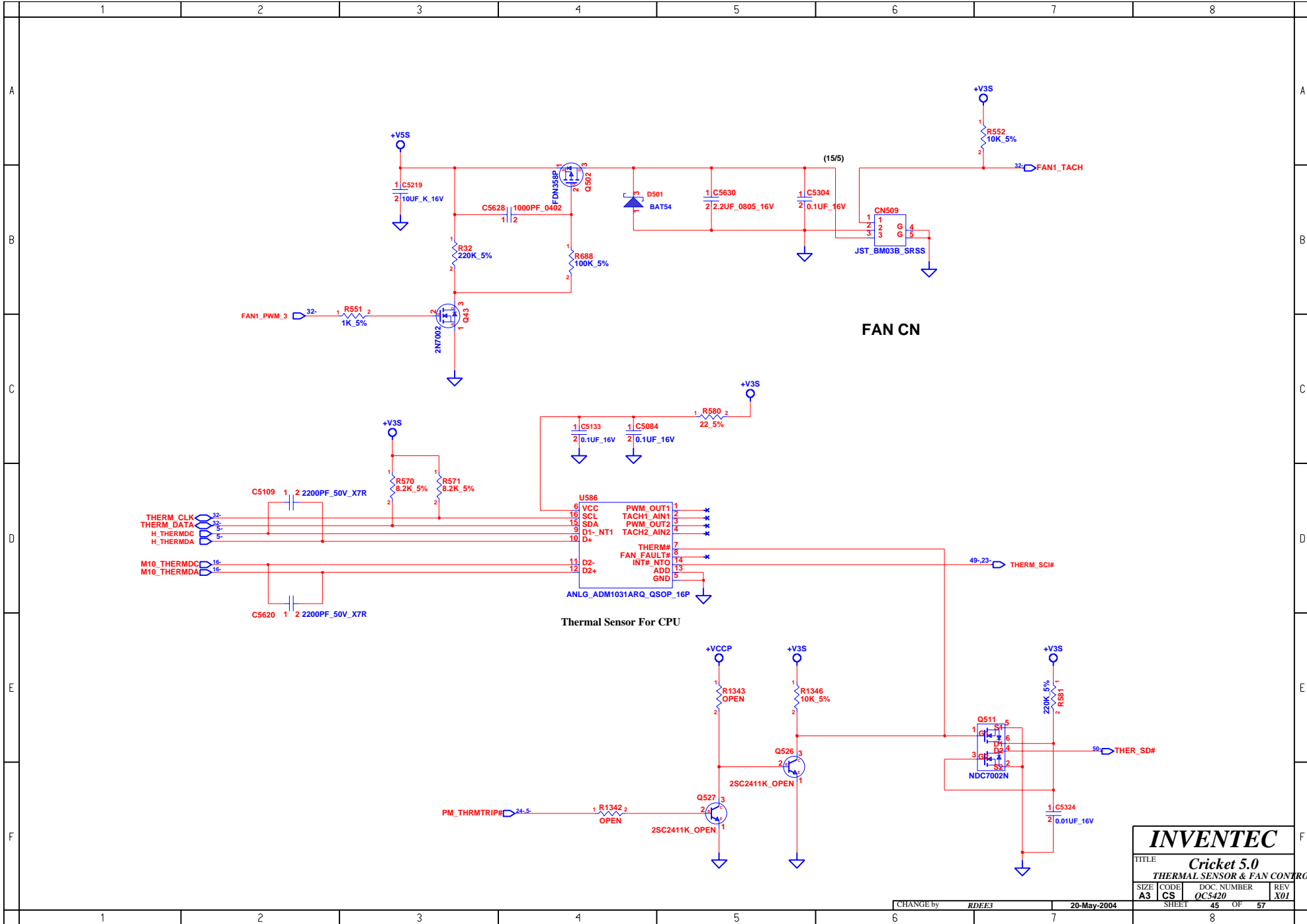
EARPHONE

IF SPEAKER HAS NOISE
WE CAN REMOVE C493,C492,C533 AND C531
FEEDBACK CAPACITOR

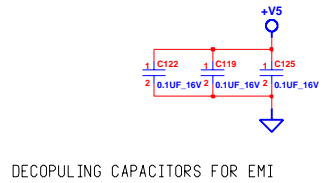
INVENTEC			
TITLE <i>Cricket 5.0</i>			
AMP			
SIZE A3	CODE CS	DOC. NUMBER <i>OC5420</i>	REV <i>X01</i>
CHANGE by <i>RDEE3</i>		29-Apr-2004	
SHEET 43		OF 57	



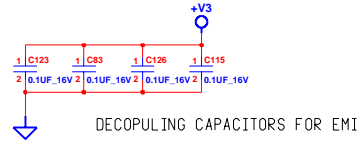
INVENTEC			
TITLE <i>Cricket 5.0</i>			
MDC 1/F & RJ11			
SIZE	CODE	DOC. NUMBER	REV
A3	CS	OC5420	X01
CHANGE by		RDEE3	29-Apr-2004
SHEET		44	OF 57



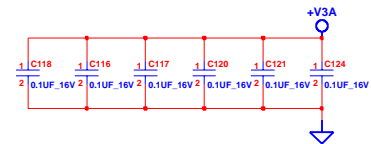
INVENTEC			
TITLE Cricket 5.0			
THERMAL SENSOR & FAN CONTROLLER			
SIZE	CODE	DOC. NUMBER	REV
A3	CS	QC5420	X01
CHANGE by		RDEE3	20-May-2004
SHEET		45	OF 57



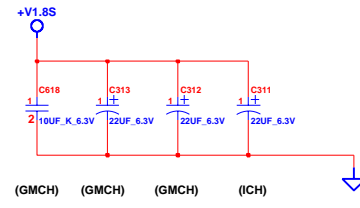
DECOPULING CAPACITORS FOR EMI



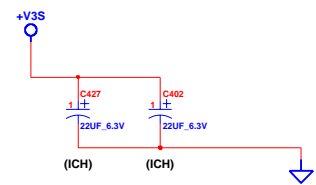
DECOPULING CAPACITORS FOR EMI



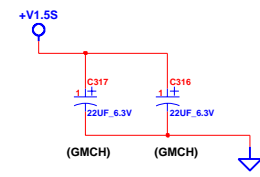
DECOPULING CAPACITORS FOR EMI



(GMCH) (GMCH) (GMCH) (ICH)

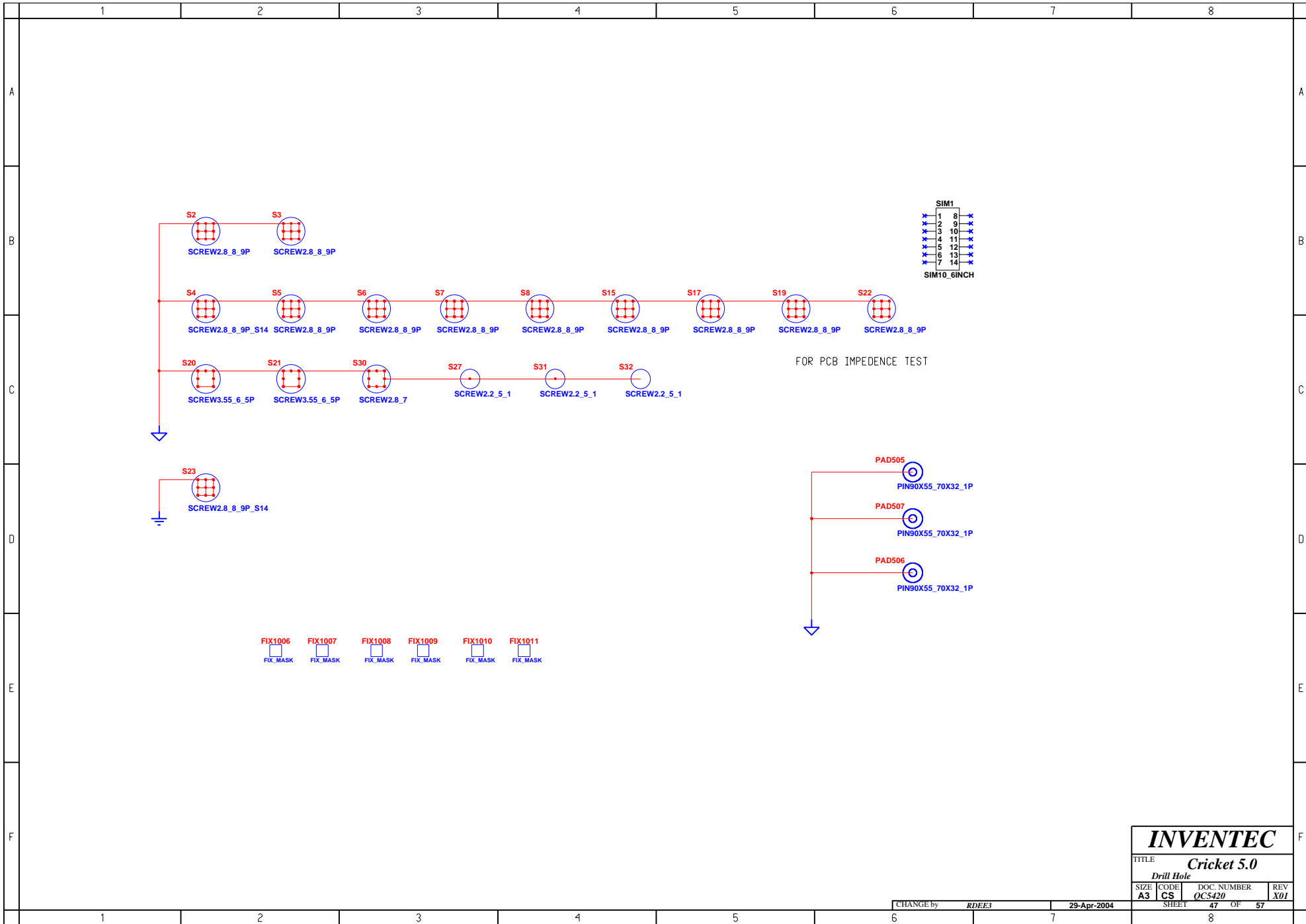


(ICH) (ICH)

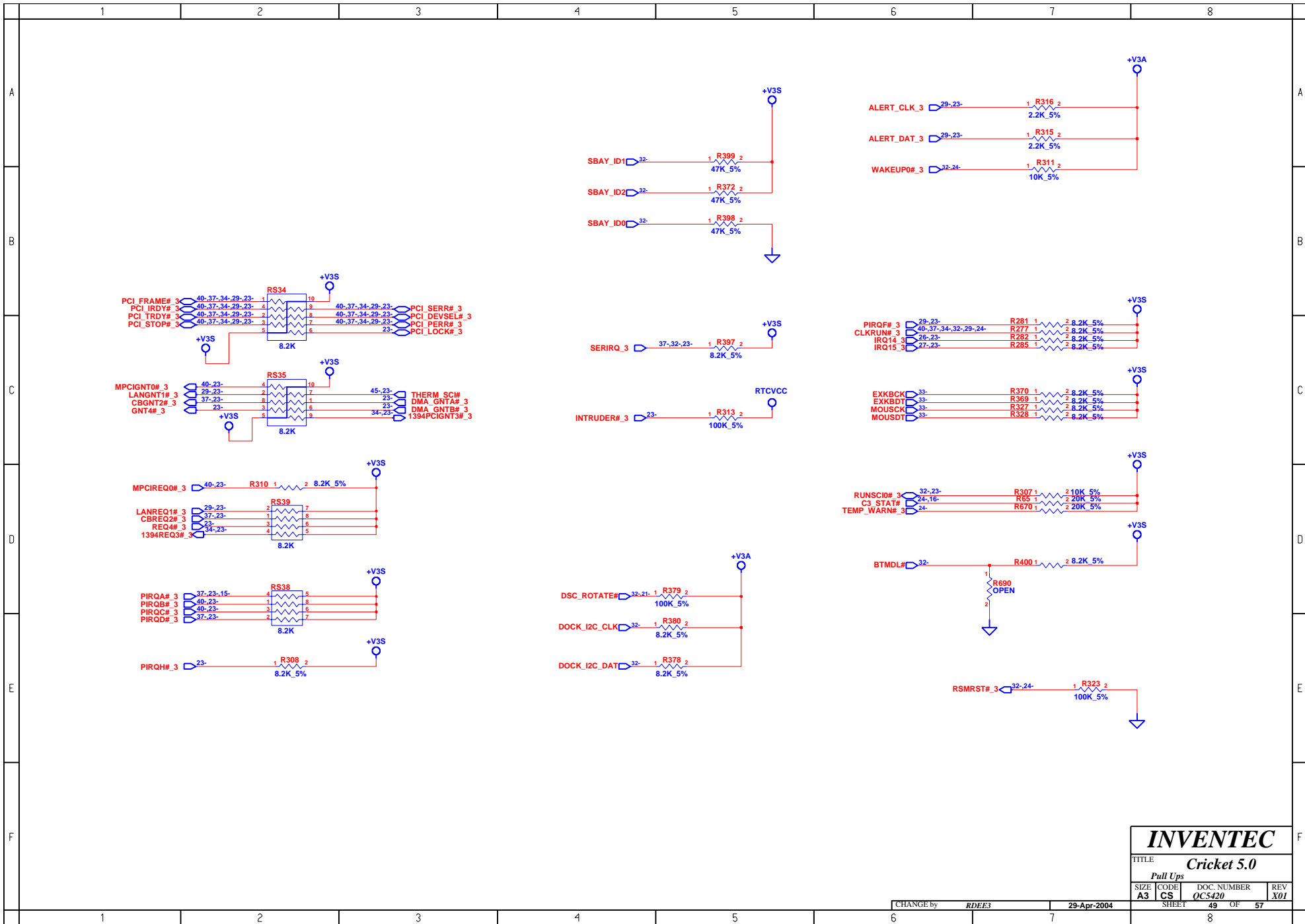


(GMCH) (GMCH)

INVENTEC			
TITLE Cricket 5.0			
DECOPULING CAPS			
SIZE	CODE	DOC. NUMBER	REV
A3	CS	QC5420	X01
CHANGE by		DATE	SHEET
RDEE3		29-Apr-2004	46 OF 57



INVENTEC			
TITLE Cricket 5.0			
Drill Hole			
SIZE	CODE	DOC. NUMBER	REV
A3	CS	QC5420	X01
CHANGE by RDEE3		29-Apr-2004	SHEET 47 OF 57
1	2	3	8



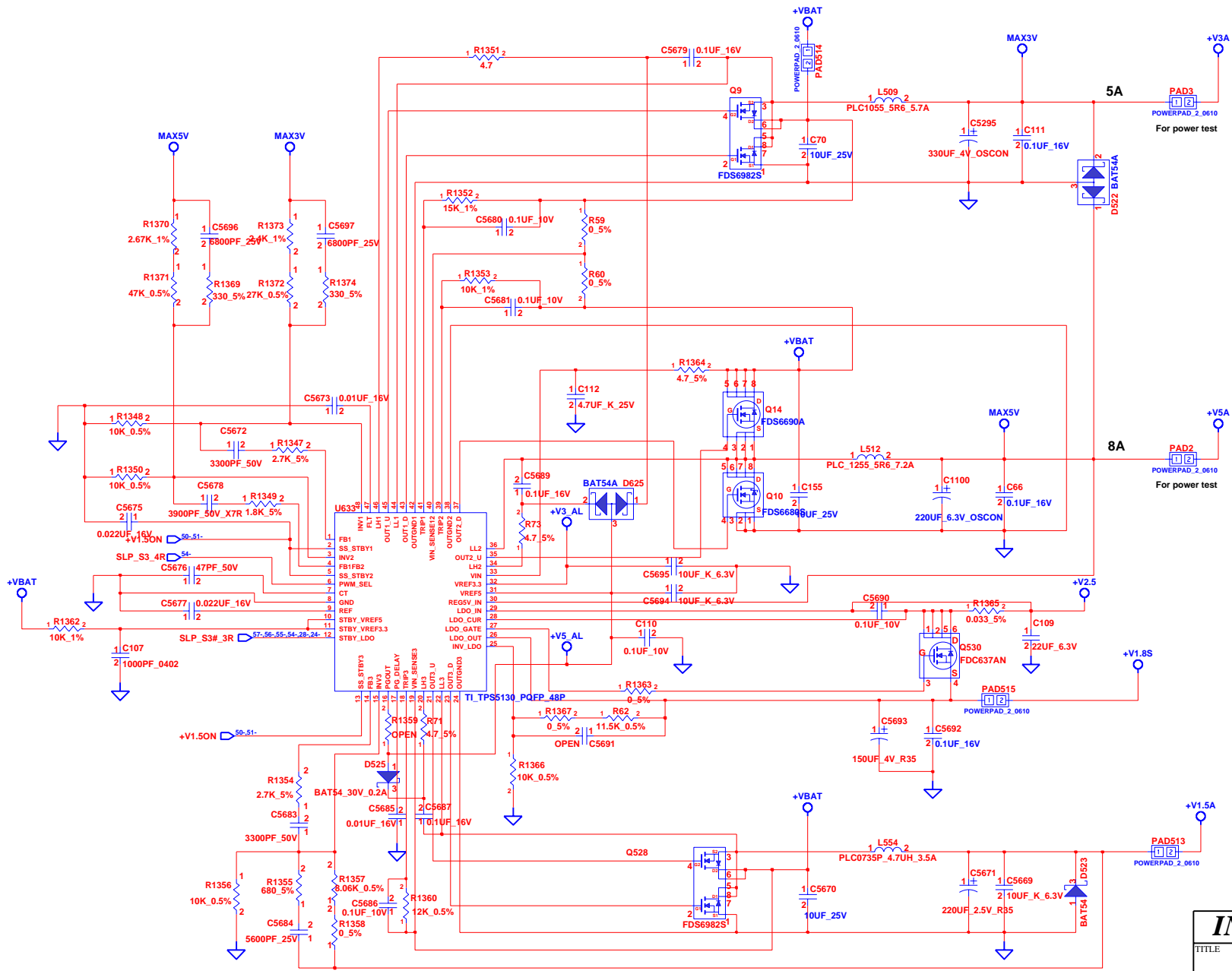
INVENTEC

TITLE **Cricket 5.0**

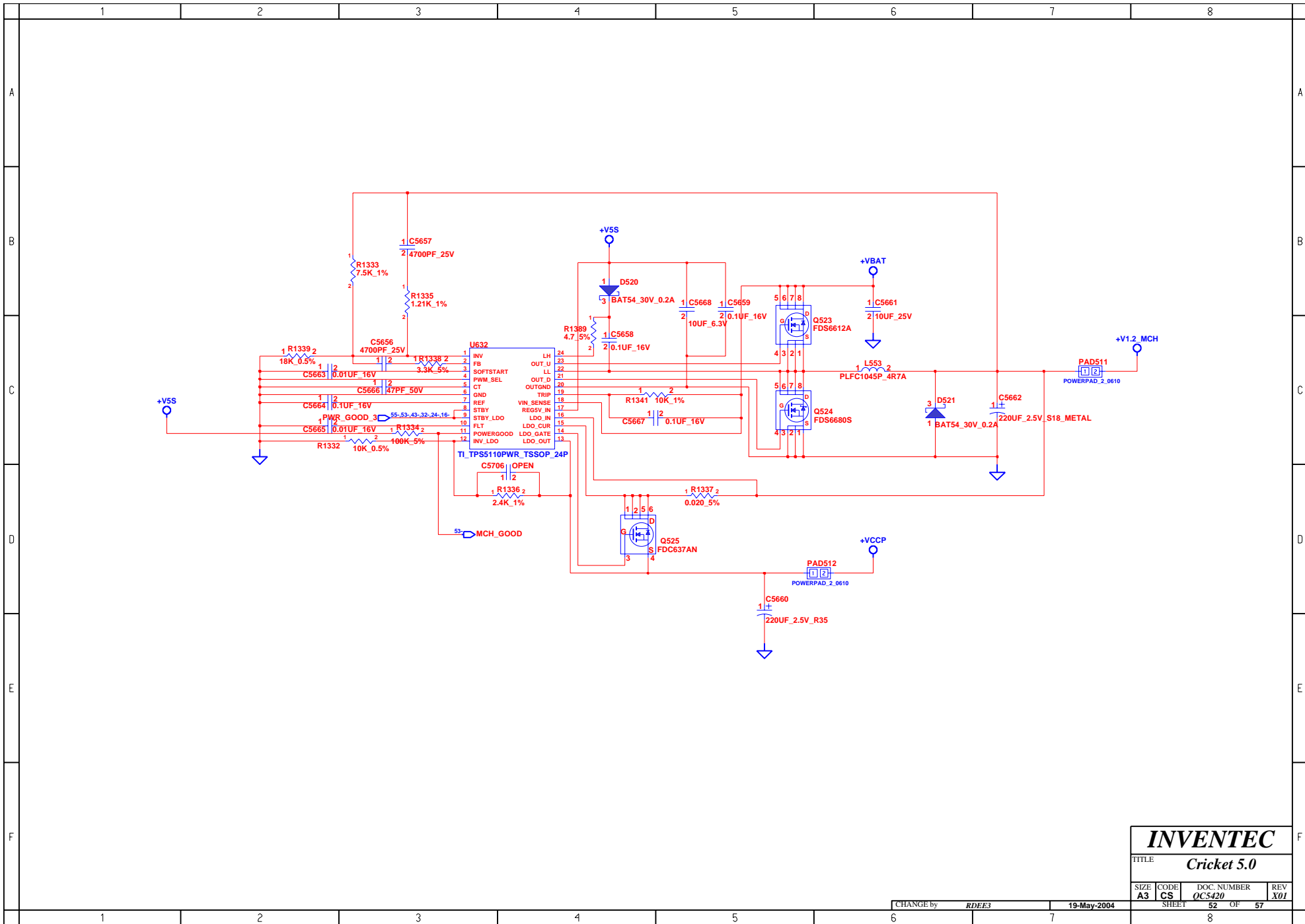
Pull Ups

SIZE	CODE	DOC. NUMBER	REV
A3	CS	OC5420	X01

CHANGE by RDEE3 29-Apr-2004 SHEET 49 OF 57



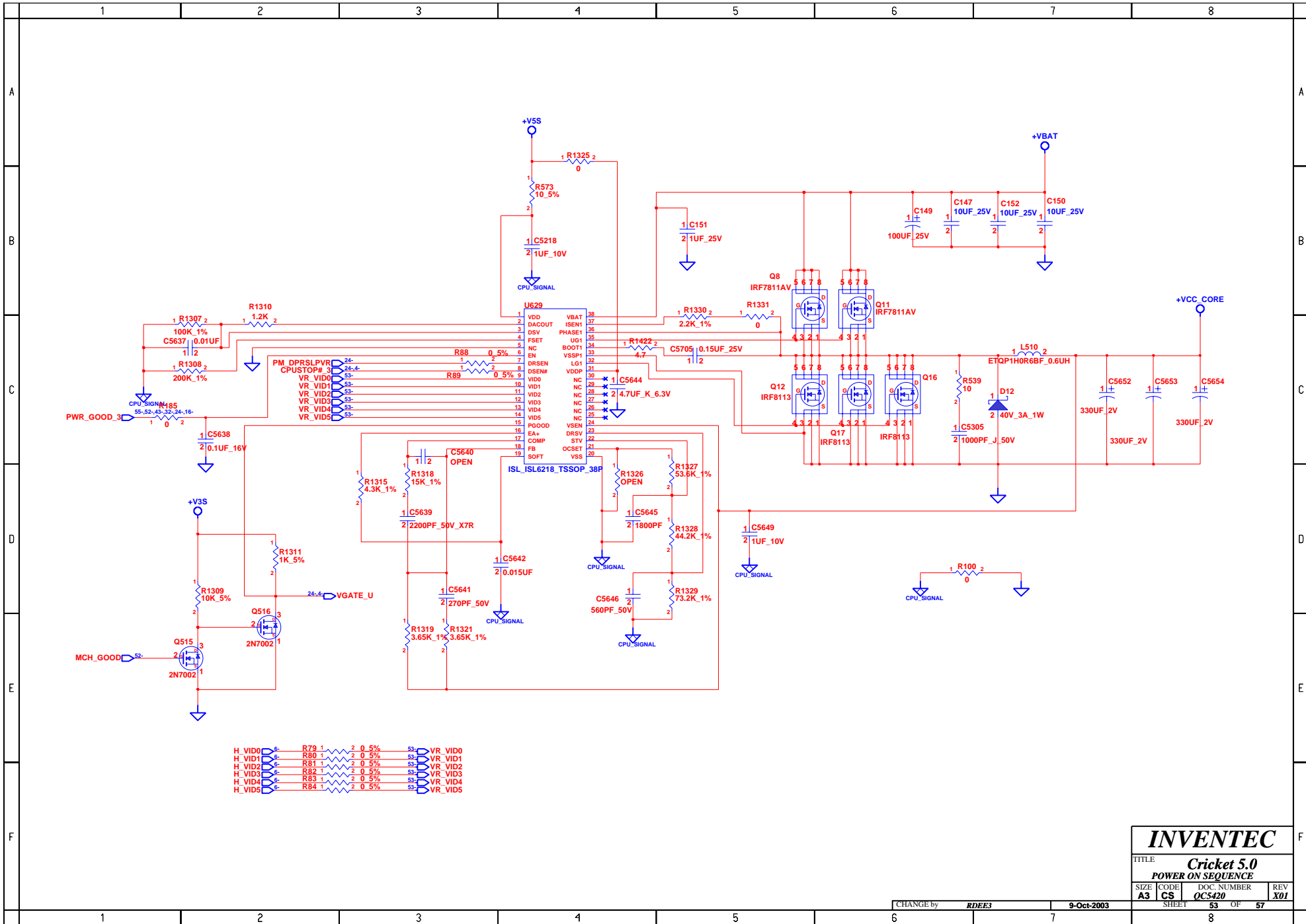
INVENTEC
 TITLE Cricket 5.0
 SIZE CODE DOC NUMBER REV
 A3 CS QCS420 51 OF 57



INVENTEC

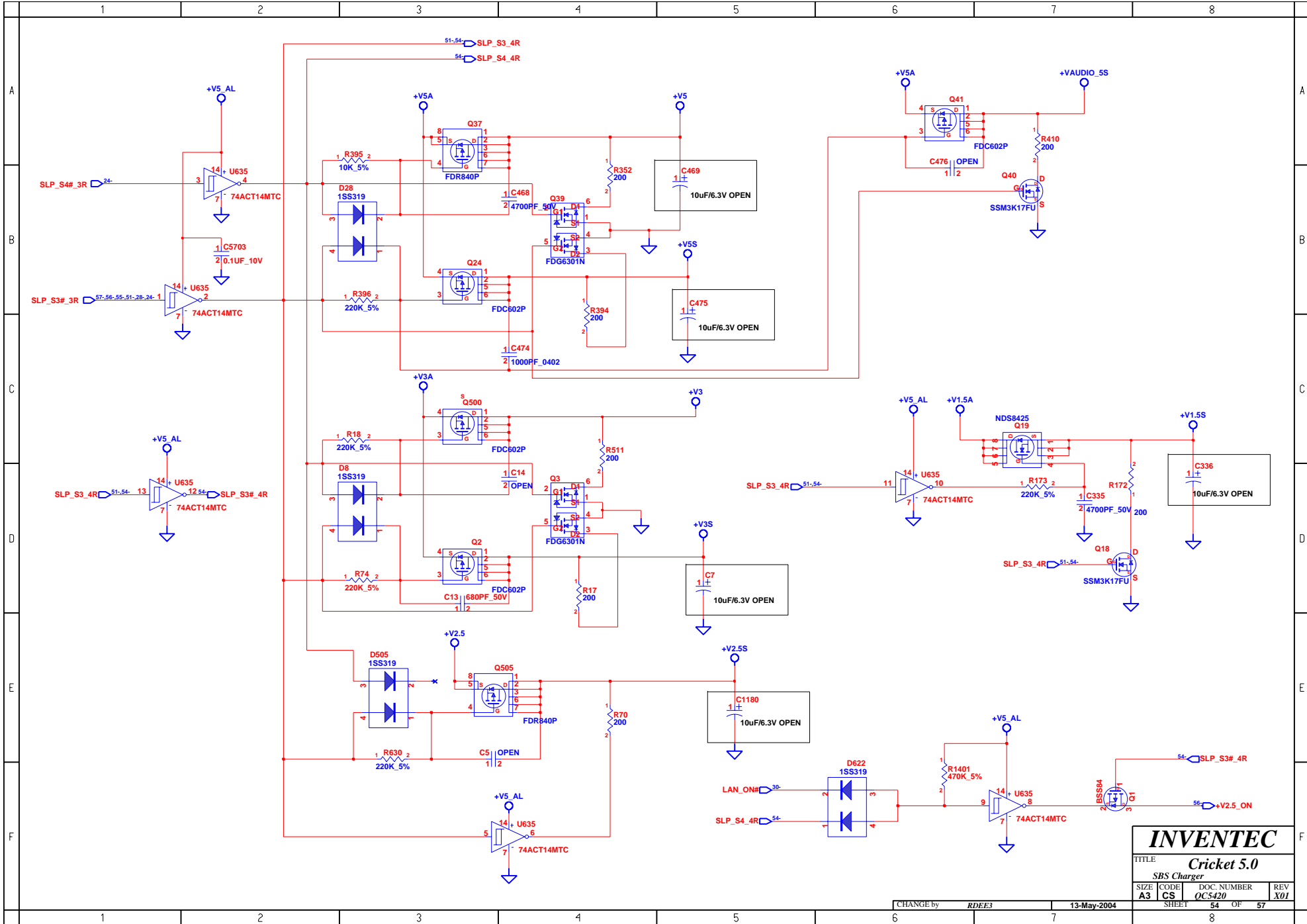
TITLE *Cricket 5.0*

SIZE A3	CODE CS	DOC. NUMBER <i>OC5420</i>	REV <i>X01</i>
CHANGE by <i>RDEE3</i>		19-May-2004	
SHEET 52		OF 57	

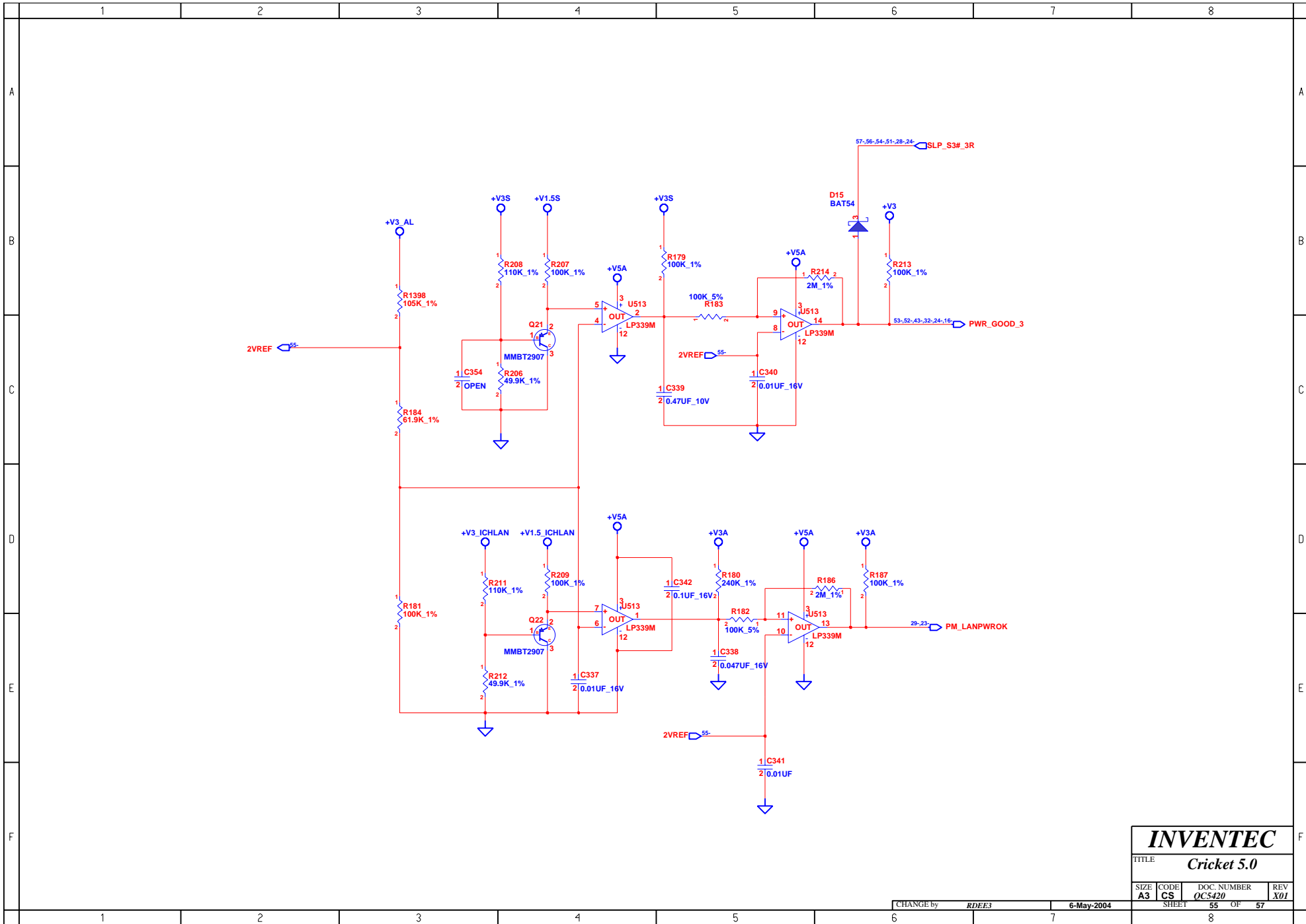


H_VID0	6	R79	1	2	0.5%	53	VR_VID0
H_VID1	6	R80	1	2	0.5%	53	VR_VID1
H_VID2	6	R81	1	2	0.5%	53	VR_VID2
H_VID3	6	R82	1	2	0.5%	53	VR_VID3
H_VID4	6	R83	1	2	0.5%	53	VR_VID4
H_VID5	6	R84	1	2	0.5%	53	VR_VID5

INVENTEC			
TITLE Cricket 5.0			
POWER ON SEQUENCE			
SIZE	CODE	DOC. NUMBER	REV
A3	CS	OCS420	X01
CHANGE by		RDEE3	9-Oct-2003
SHEET		53	OF 57



INVENTEC			
TITLE Cricket 5.0			
SBS Charger			
SIZE	CODE	DOC. NUMBER	REV
A3	CS	QCS420	X01
CHANGE by		RDEE3	13-May-2004
SHEET		54	OF 57



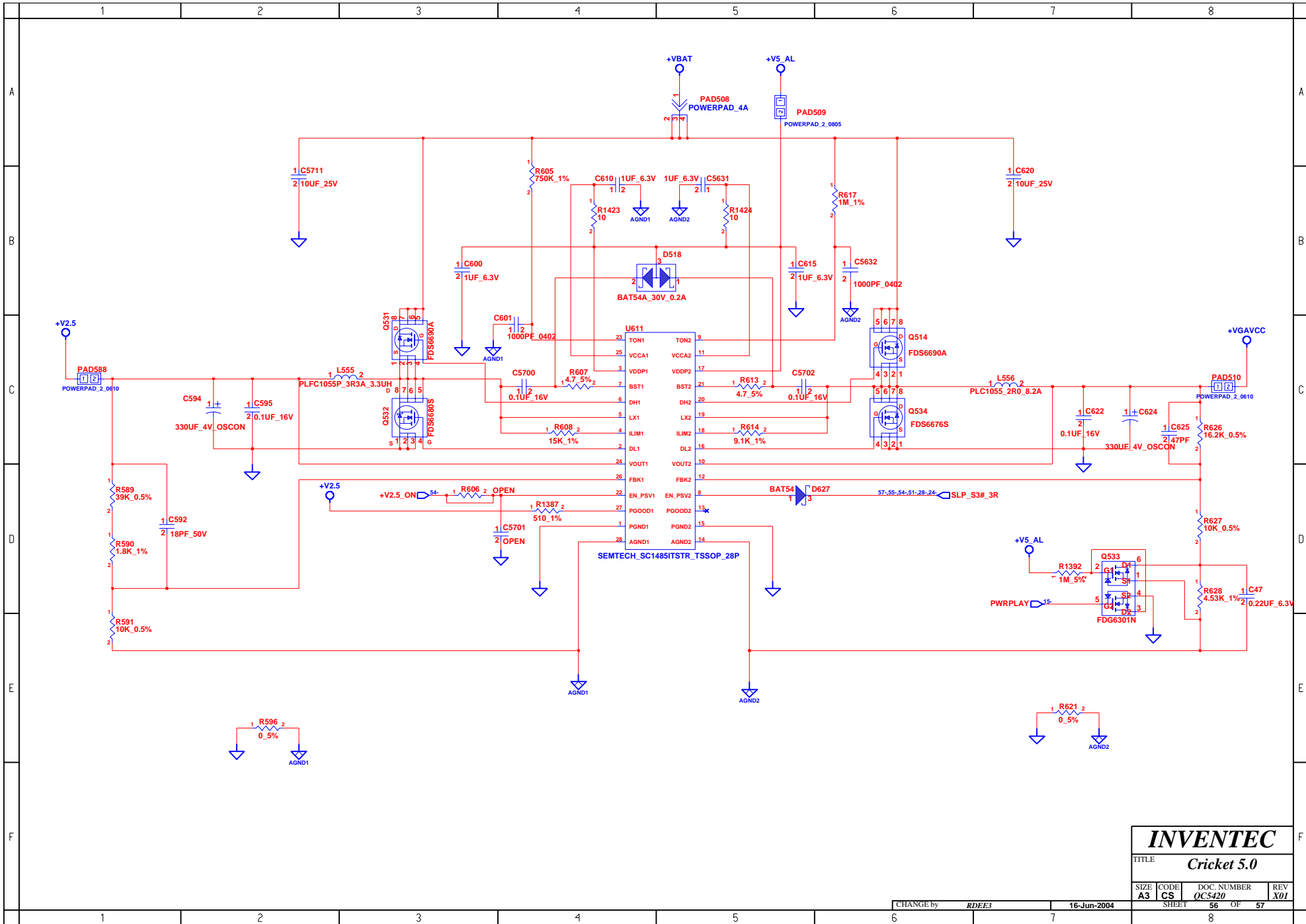
INVENTEC

TITLE *Cricket 5.0*

SIZE A3	CODE CS	DOC. NUMBER <i>OC5420</i>	REV <i>X01</i>
-------------------	-------------------	------------------------------	-------------------

CHANGE by *RDEE3* 6-May-2004

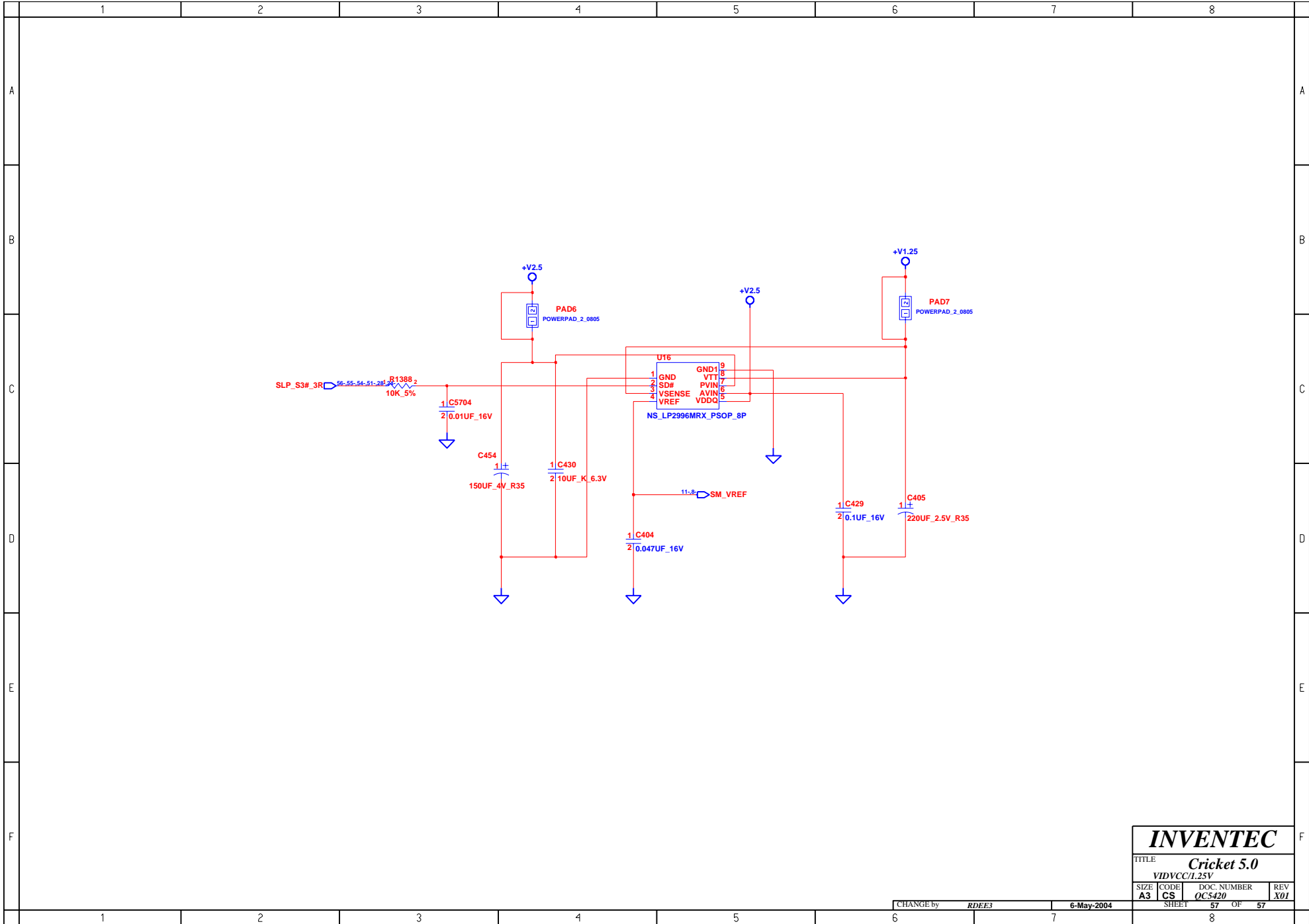
SHEET 55 OF 57



INVENTEC
 TITLE
Cricket 5.0

SIZE	CODE	DOC. NUMBER	REV
A3	CS	OC5420	X01

CHANGE by	RDEE3	16-Jun-2004	SHEET	56	OF	57
-----------	-------	-------------	-------	----	----	----



INVENTEC

TITLE **Cricket 5.0**

VIDVCC/I.25V

SIZE A3	CODE CS	DOC. NUMBER OC5420	REV X01
-------------------	-------------------	------------------------------	-------------------

CHANGE by **RDEE3** 6-May-2004

SHEET 57 OF 57