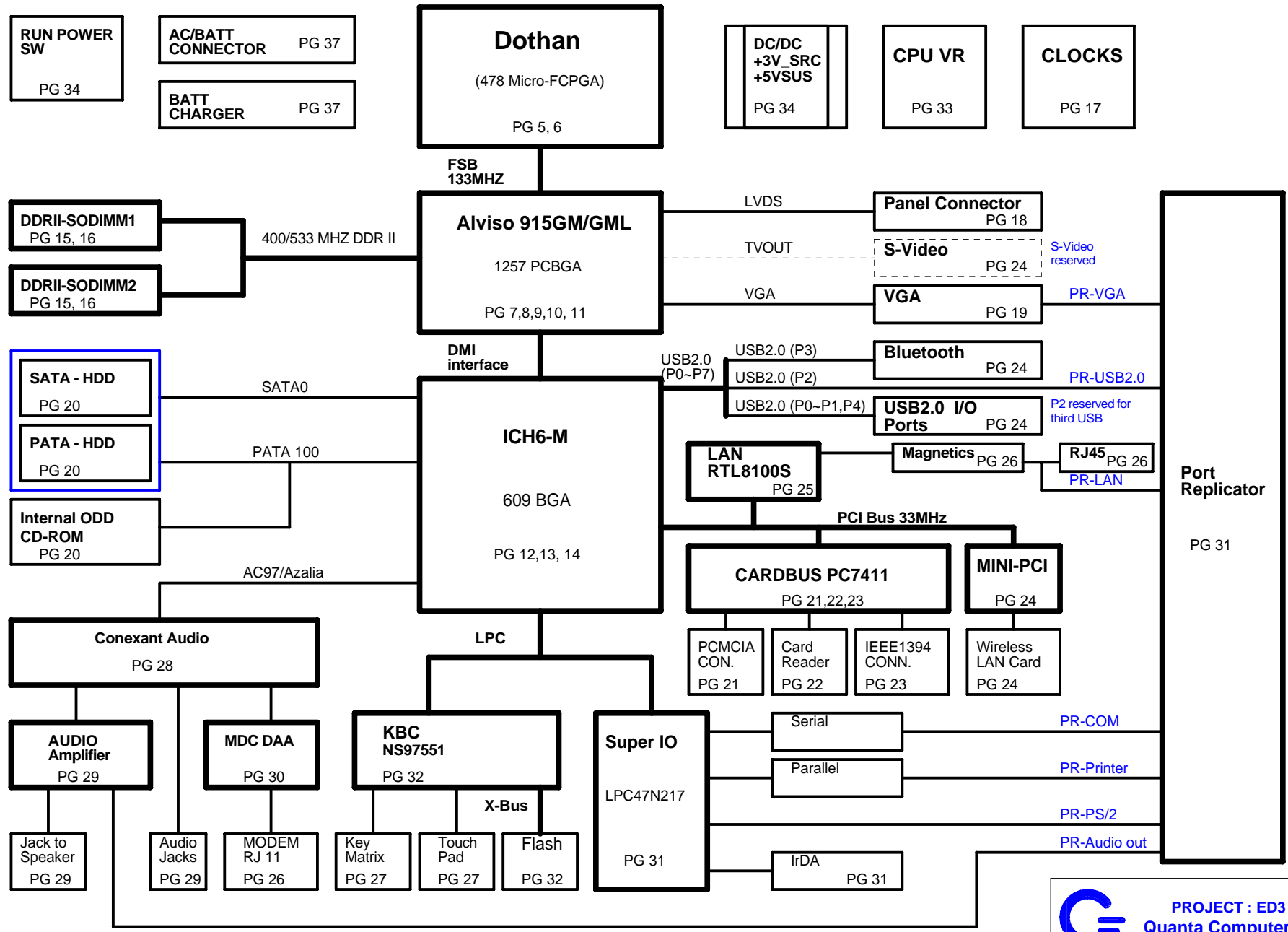


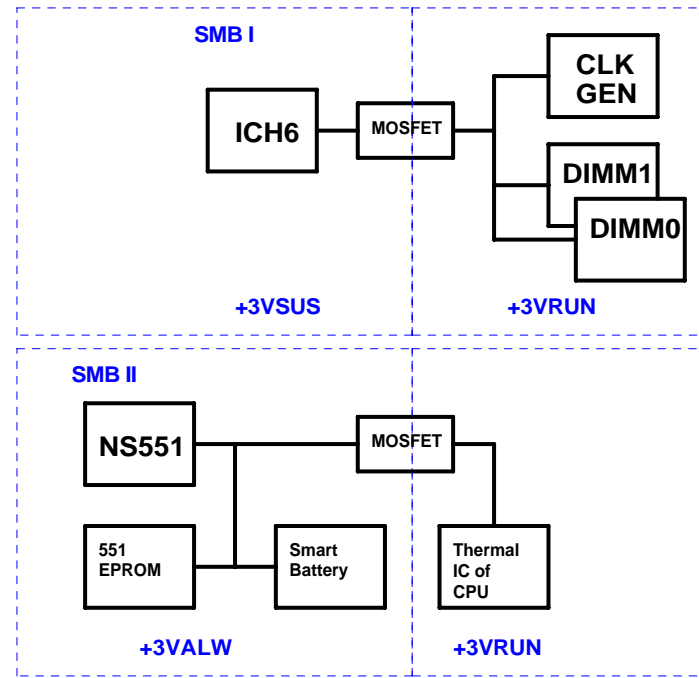
ED3-UMA DESIGN


VER : B3B



笔记本图纸QQ107203753

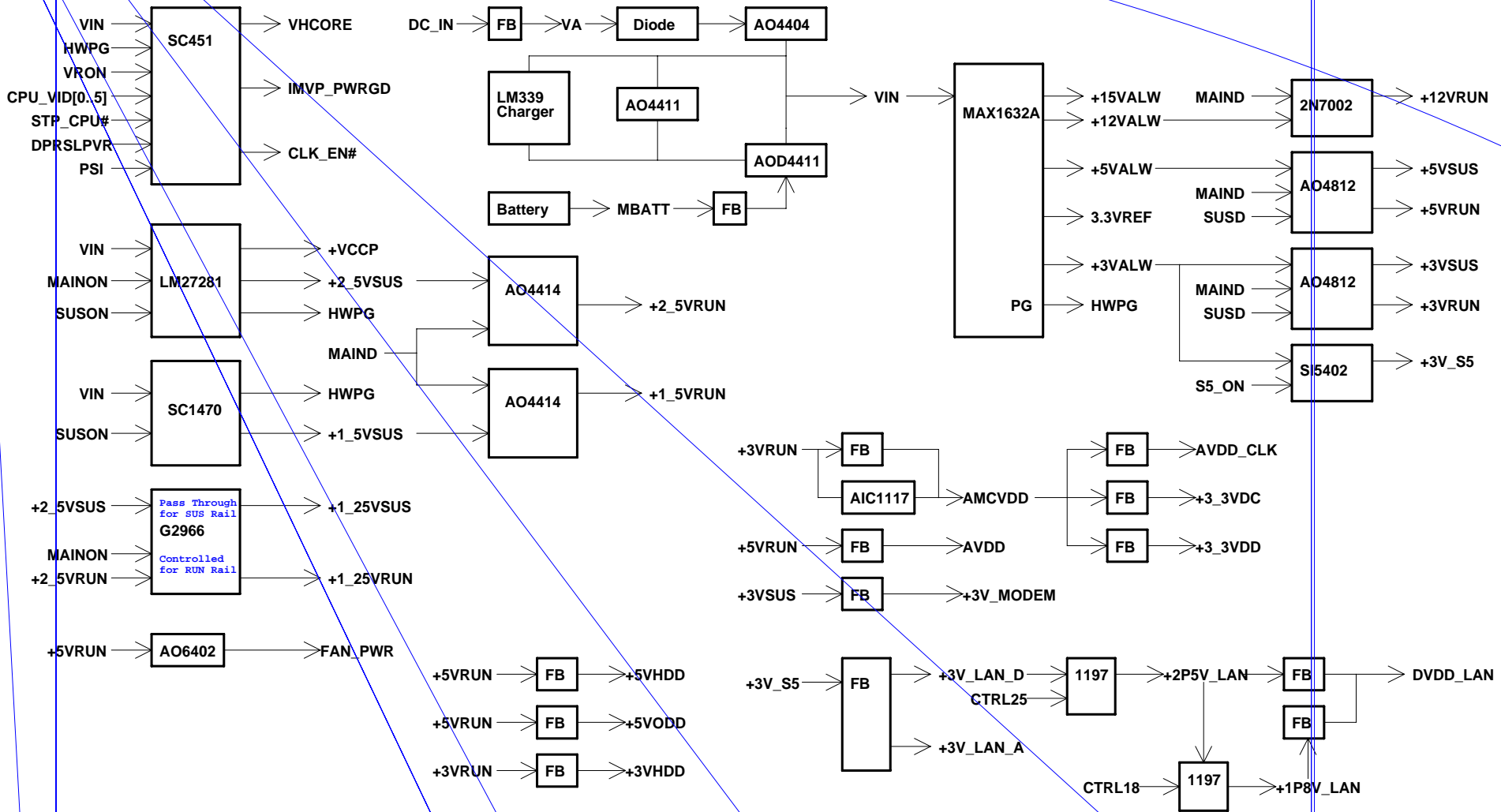
PCI ROUTING TABLE	IDSEL	INTERUPT	DEVICE
REQ0# / GNT0#	AD24	PIRQA#	RTL8110S
REQ2# / GNT2#	AD19	PIRQB# , PIRQD#	MINI-PCI
REQ1# / GNT1#	AD17	PIRQC# , PIRQD# , PIRQA#	TI 7411

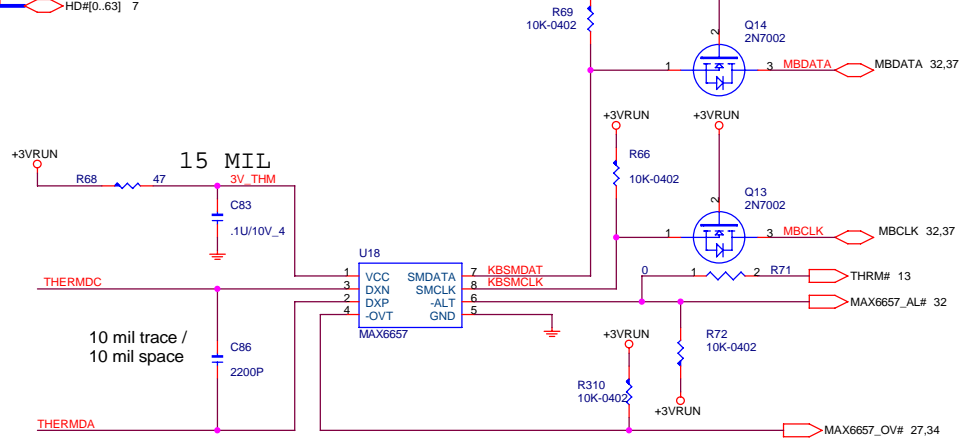
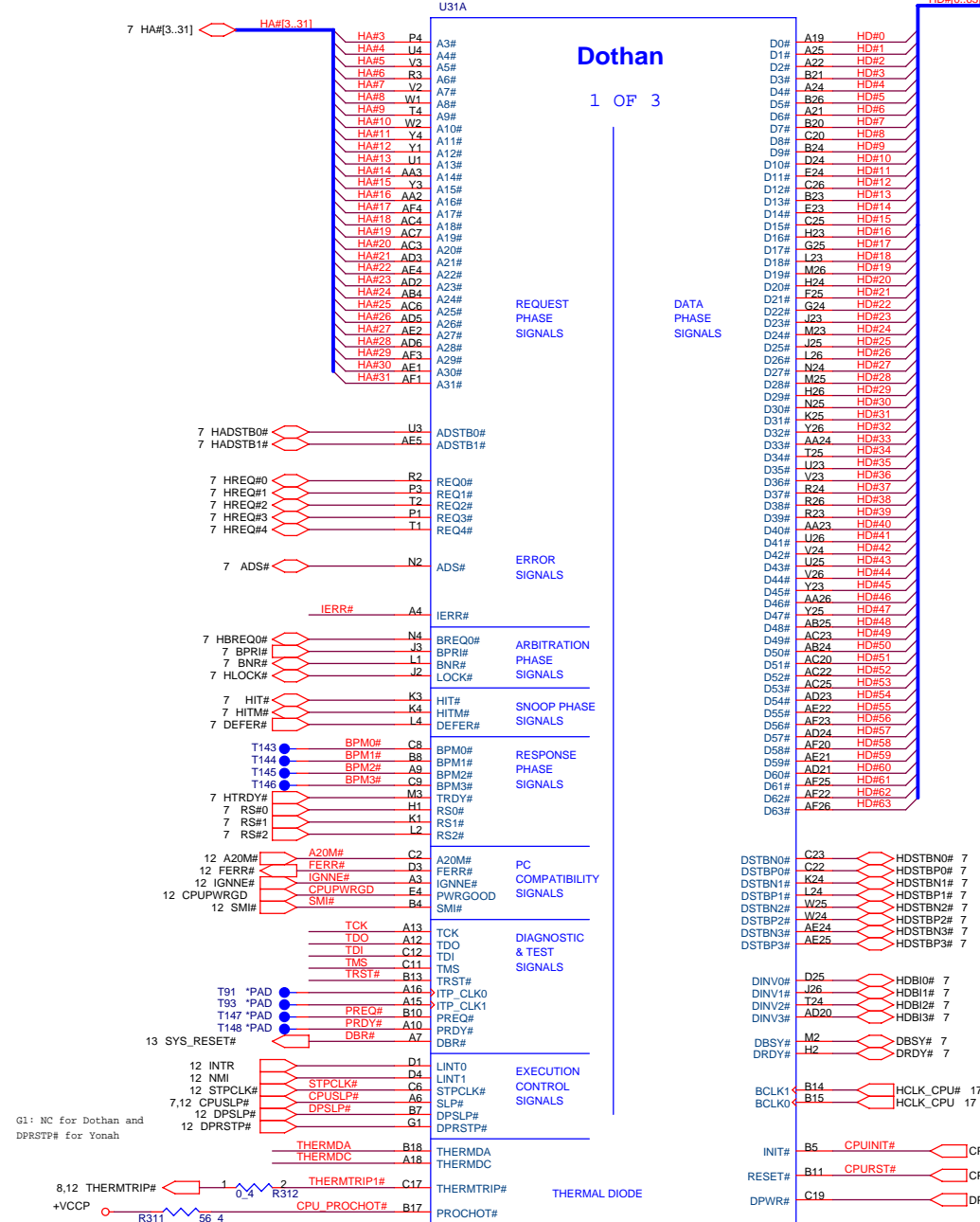


		PROJECT : ED3 Quanta Computer Inc.		
				Size
		Block Diagram 2		A3A
Date: Tuesday, June 14, 2005		Sheet 2 of 38		

笔记本图纸QQ107203753

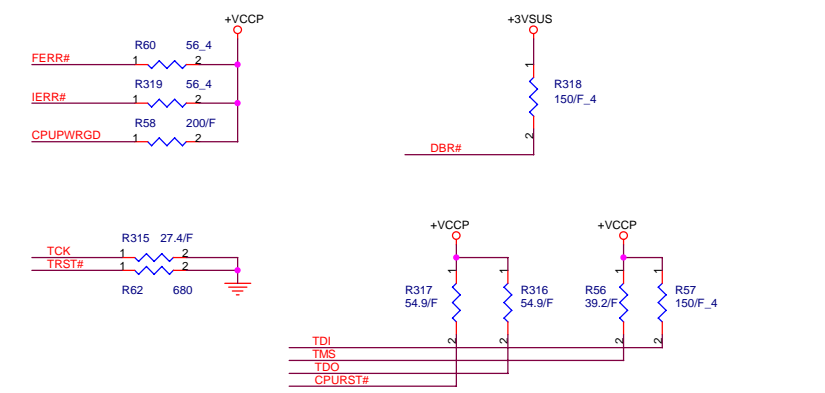
Power Rail Flow





ITP disable guidelines			
Signal	Resistor Value	Connect To	Resistor Placement
TDI	150 ohm +/- 5%	VTT	Within 2.0" of the CPU
TMS	39 ohm +/- 5%	VTT	Within 2.0" of the CPU
TRST#	680 ohm +/- 5%	GND	Within 2.0" of the CPU
TCK	27 ohm +/- 5%	GND	Within 2.0" of the CPU
TDO	Open	VTT	Within 2.0" of the CPU

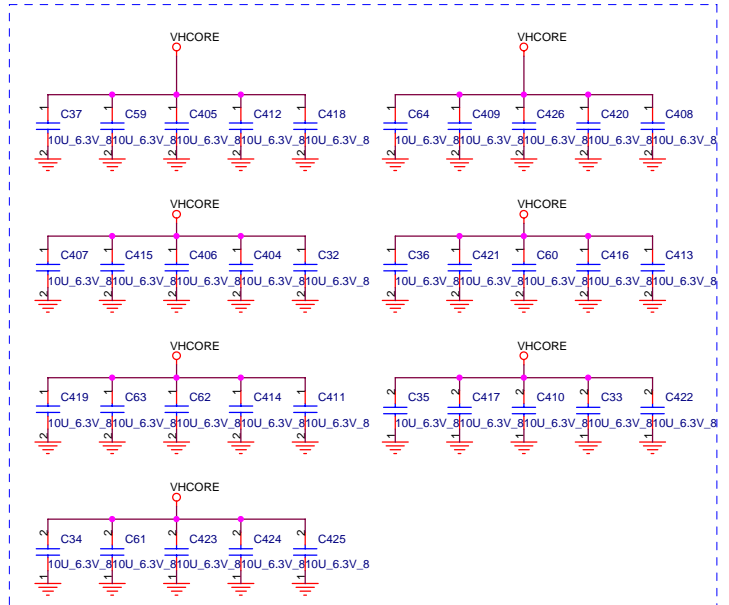
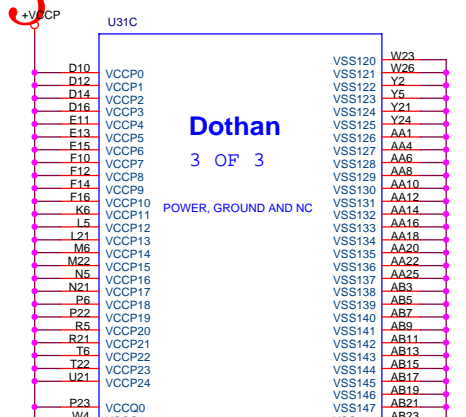
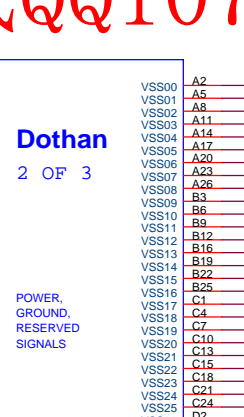
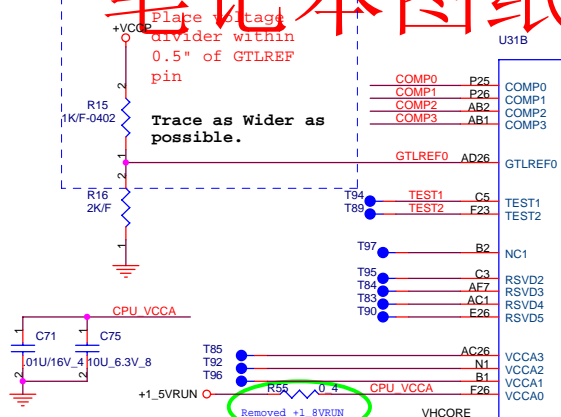
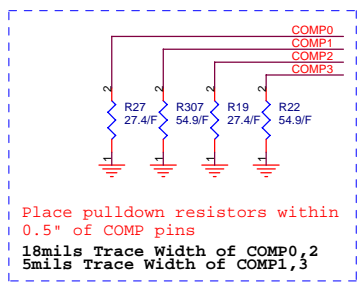
Note: Populate R58, R62 when ITP connector is populated.



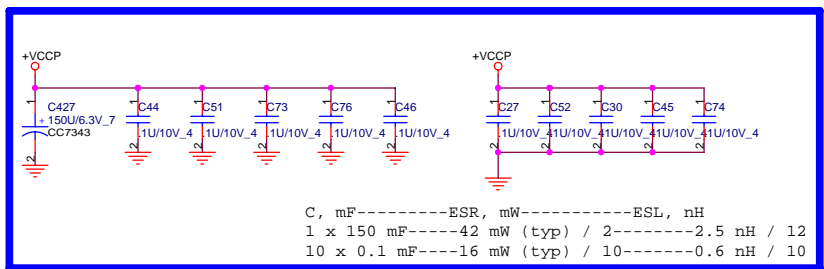
PROJECT : ED3
Quanta Computer Inc.

Size	Document Number	Rev
	Dothan (HOST)	A3A
Date:	Wednesday, June 15, 2005	Sheet 5 of 38

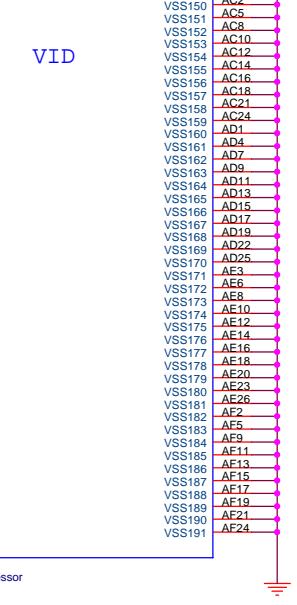
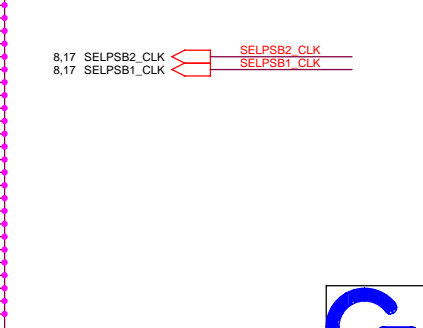
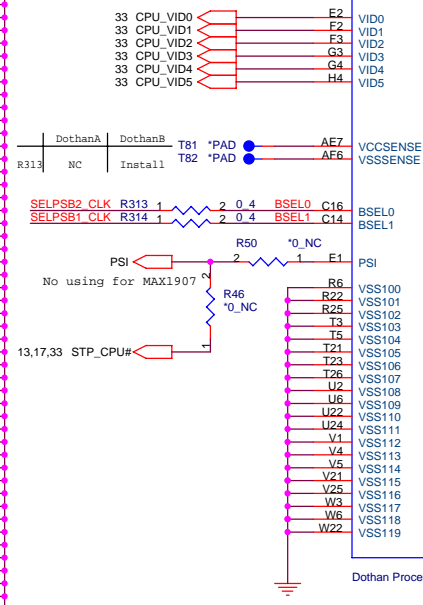
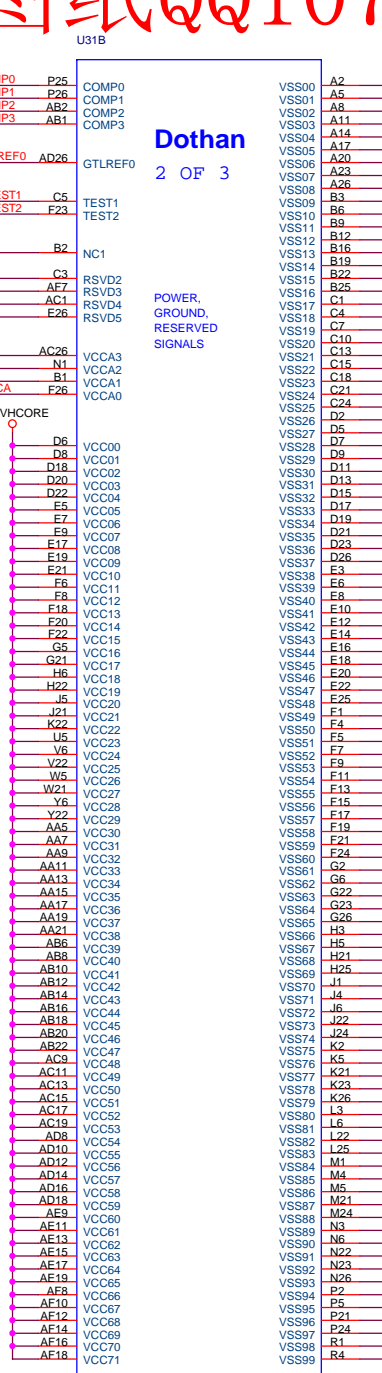
笔记本图纸QQ107203753



VHCORE
Total caps = 1670 uF > 1430 uF (Intel Recommendation)
ESR = 9m ohm/4 // 5m ohm/35 ----> = 0.1343m ohm



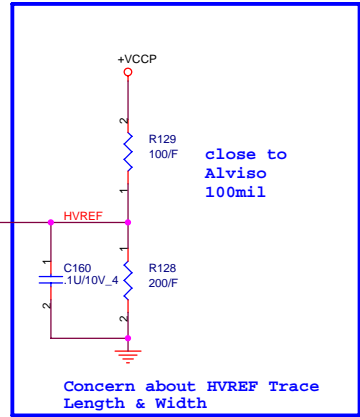
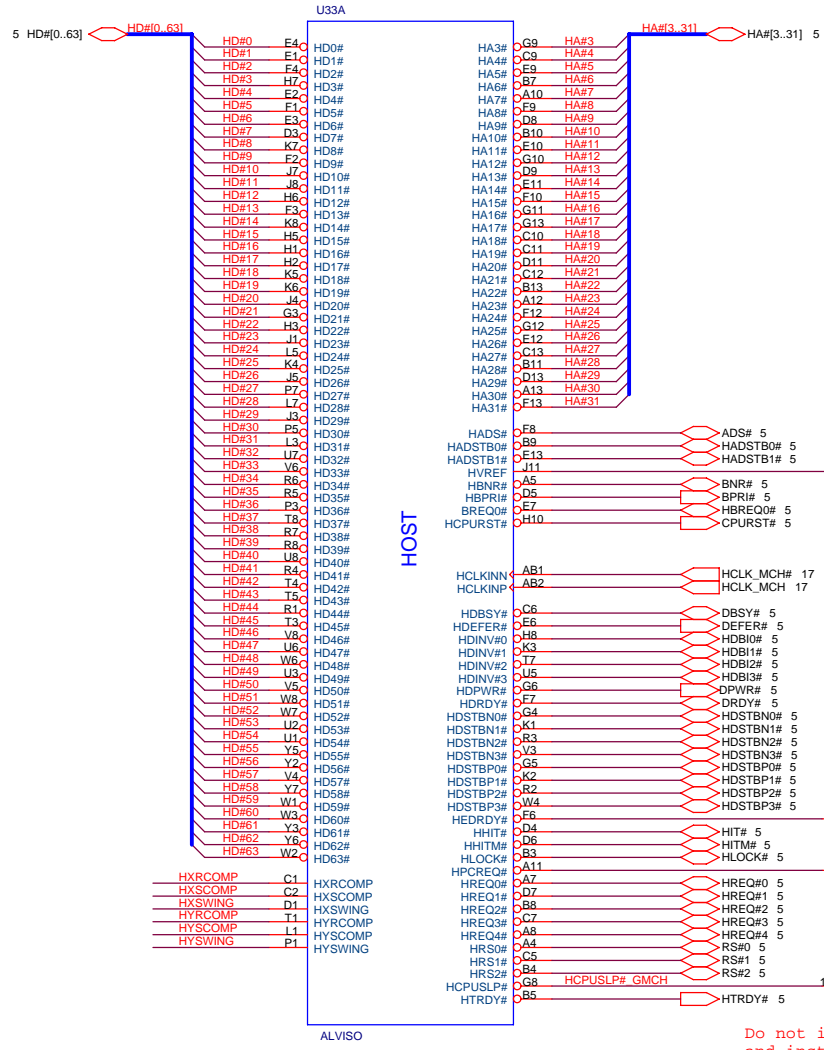
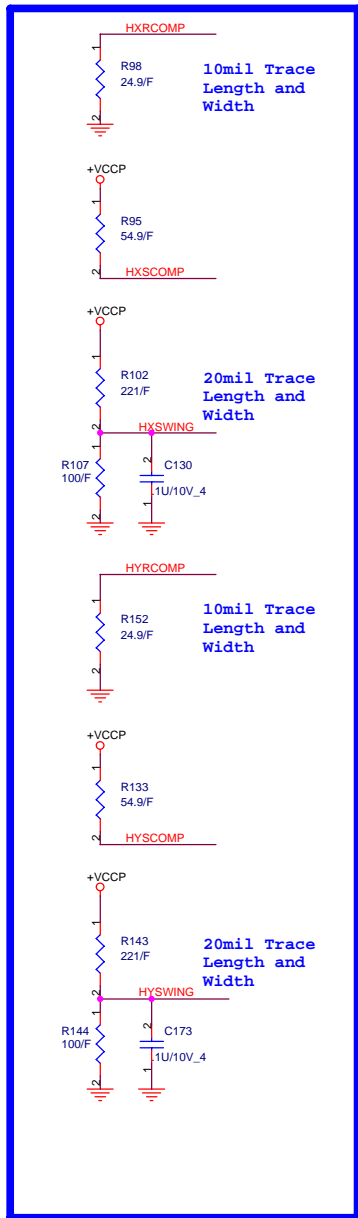
C, mF-----ESR, mW-----ESL, nH
1 x 150 mF-----42 mW (typ) / 2-----2.5 nH / 12
10 x 0.1 mF-----16 mW (typ) / 10-----0.6 nH / 10



PROJECT : ED3
Quanta Computer Inc.

Size	Document Number	Rev
	Dothan (Power)	A3A
Date:	Wednesday, June 15, 2005	Sheet 6 of 38

笔记本图纸QQ107203753



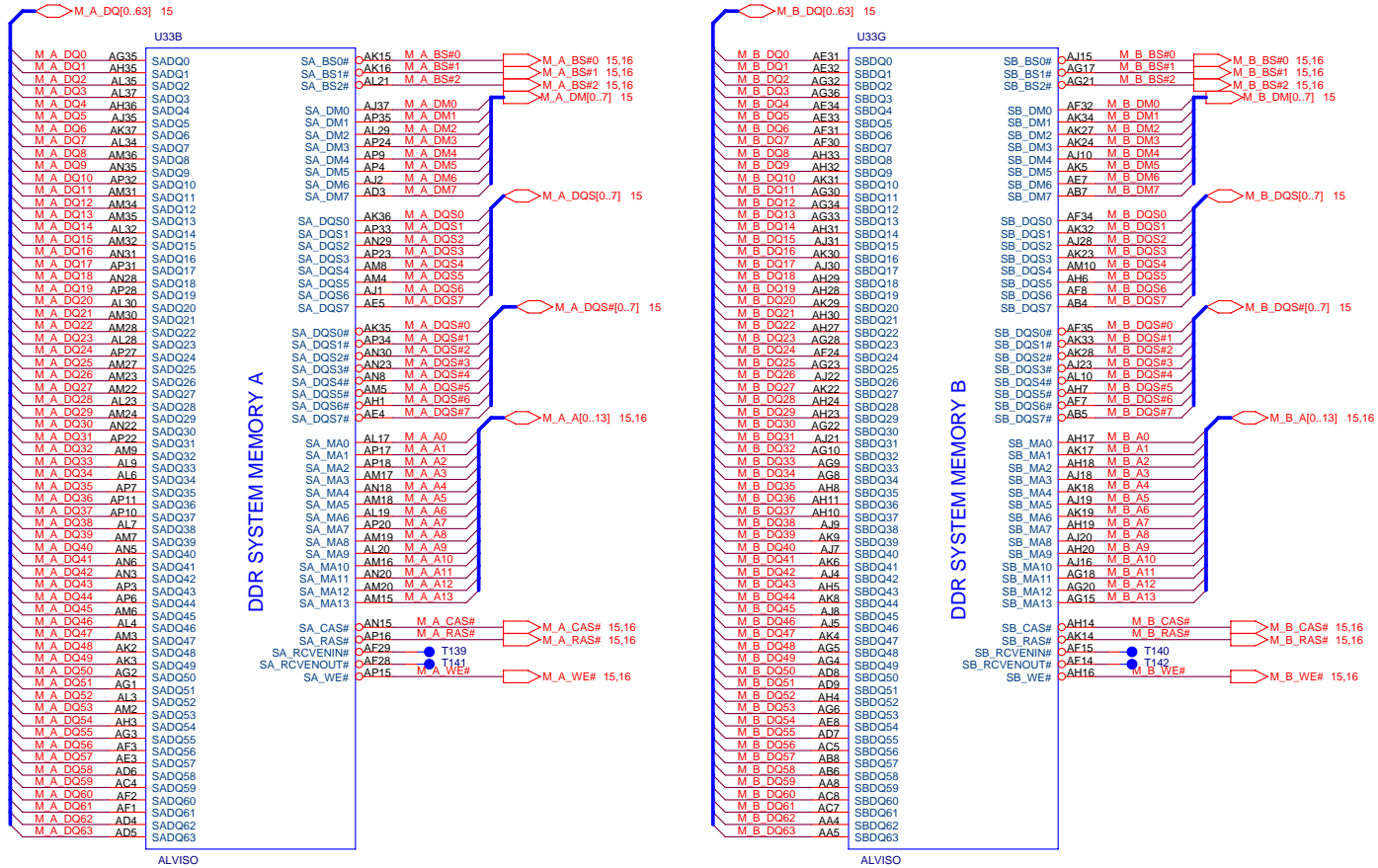
- HYRCOMP C1
- HXSCOMP C2
- HXSWING D1
- HYRCOMP T1
- HYSWING L1
- HYSWING P1

CT_0505: Change footprint to mbga1257-intel-alviso from MBGA-1257

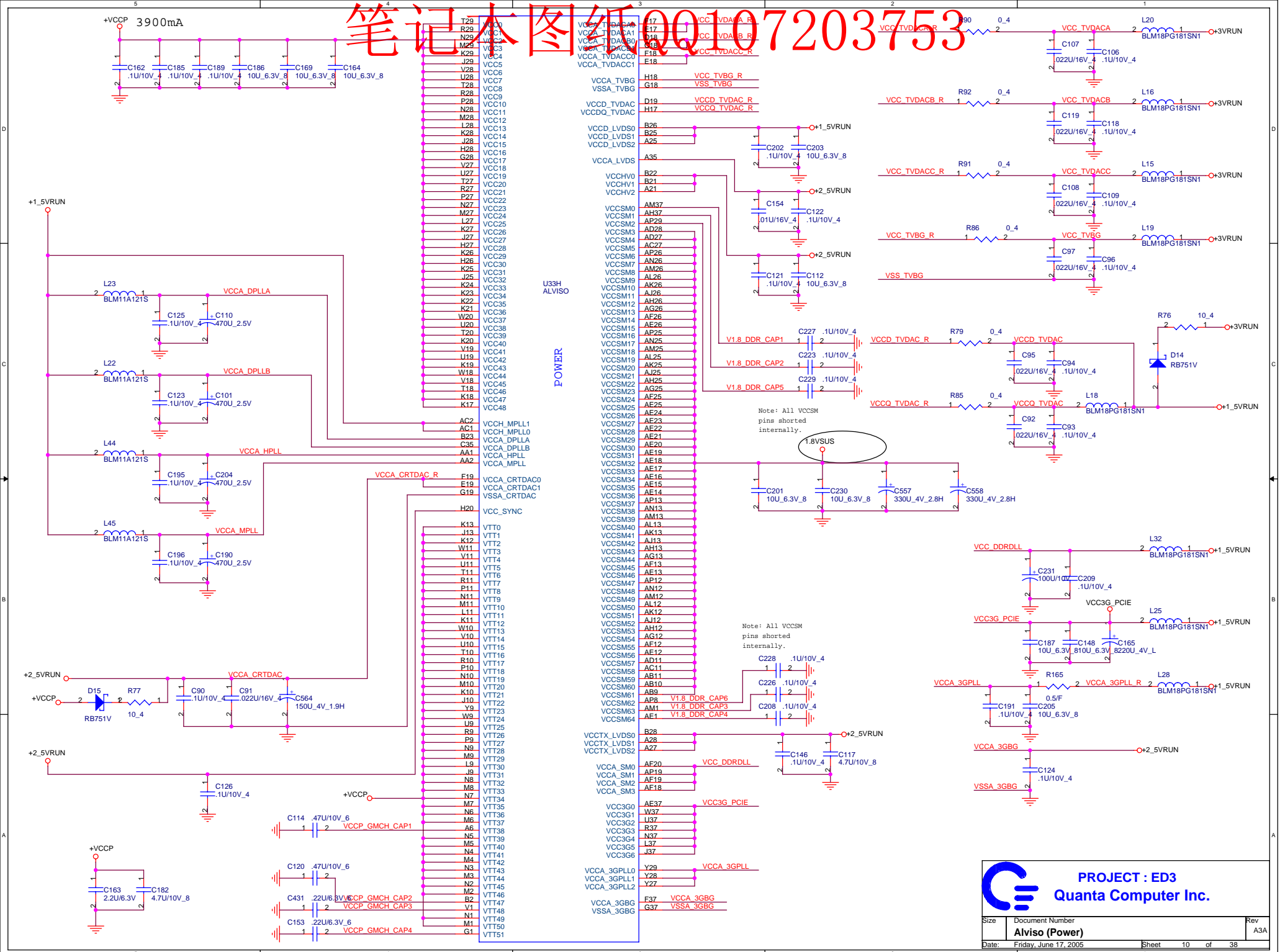
Do not install R89 for Dothan-A and install for Dothan-B

CT_0513: Install R89 0 ohm.

笔记本图纸QQ107203753



笔记本图纸 107203753

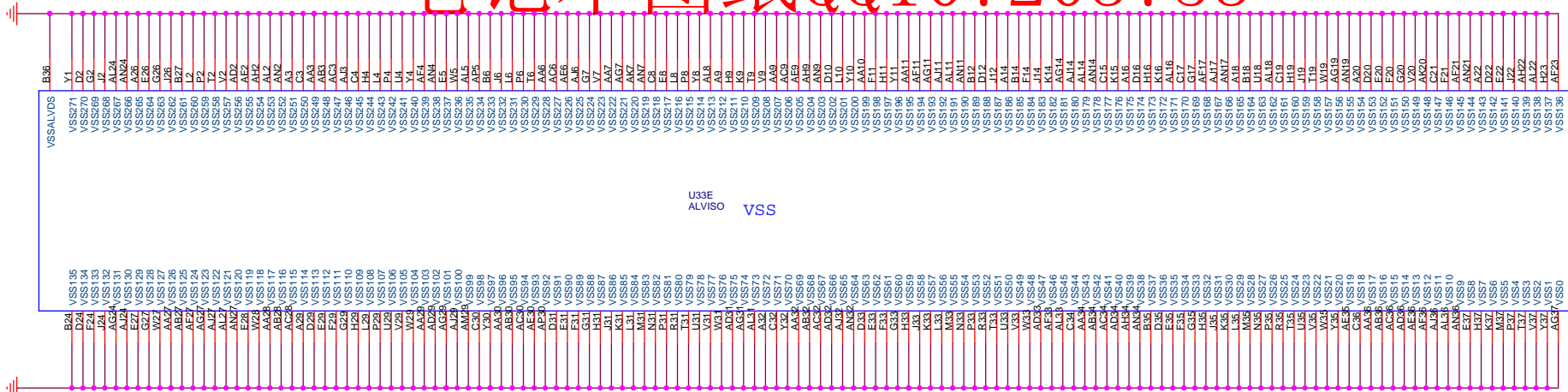


PROJECT : ED3

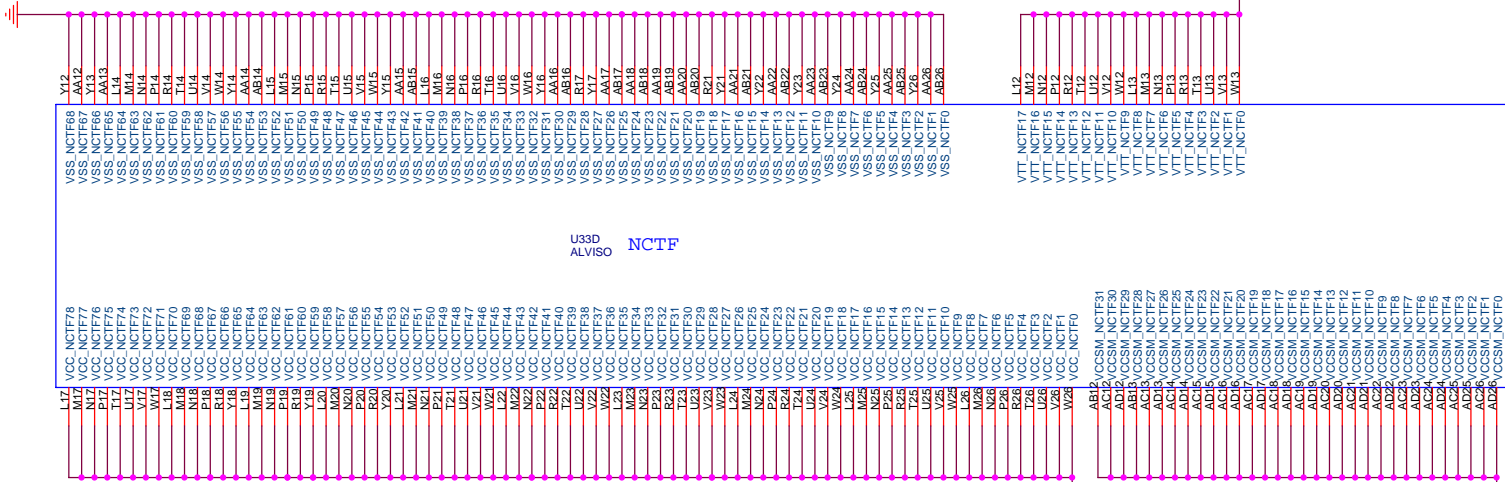
Quanta Computer Inc.

Size	Document Number	Rev
	Alviso (Power)	A3A
Date:	Friday, June 17, 2005	Sheet 10 of 38

笔记本图纸QQ107203753



U33E
ALVISO VSS



U33D
ALVISO NCTF

+VCCP

+VCCP

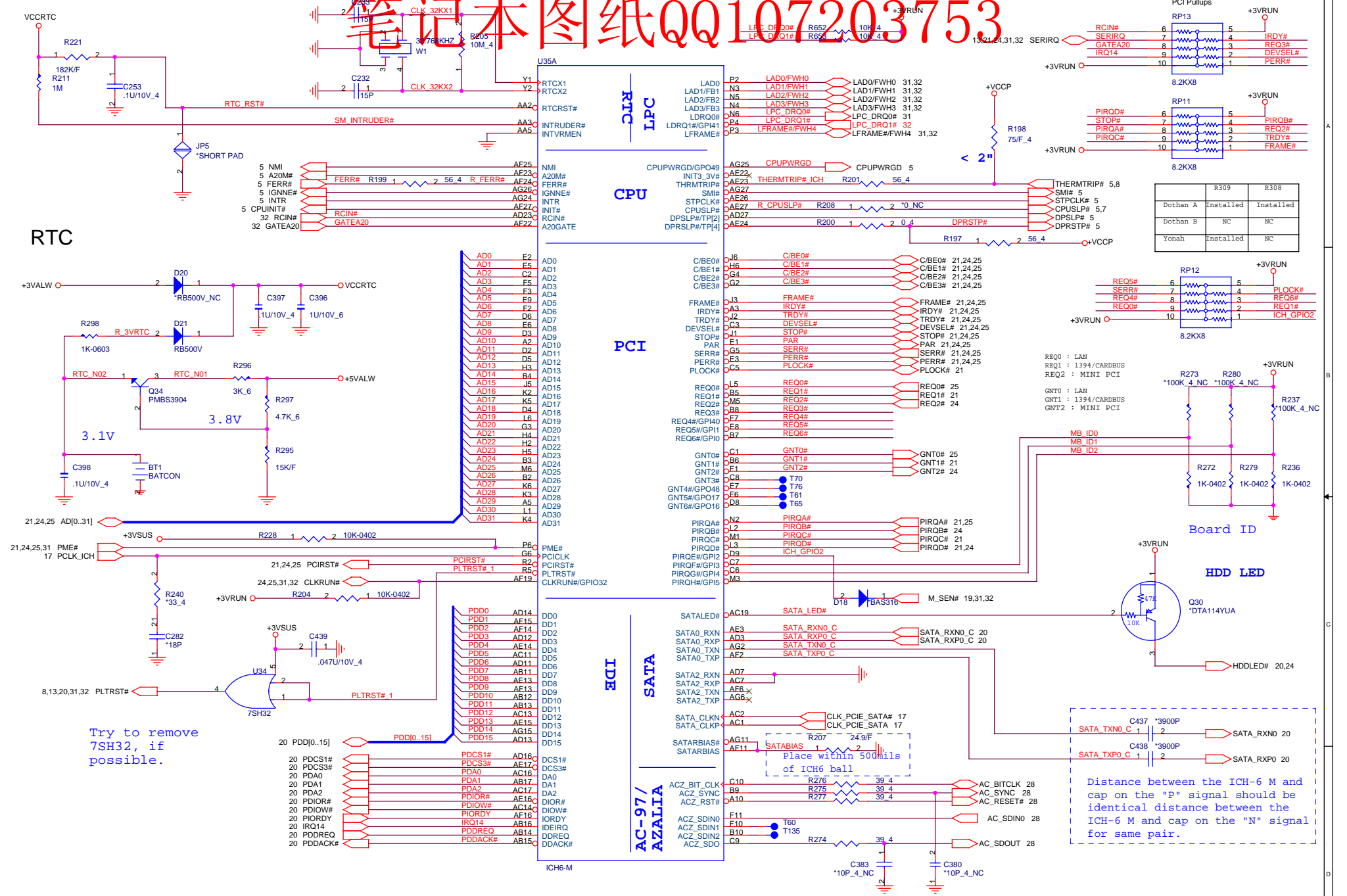
1.8VSUS

DDR1 is 2.5V, DDRII is 1.8V.

PROJECT : ED3
Quanta Computer Inc.

Size	Document Number	Rev
	Alviso (VSS, NCTF0)	A3A
Date:	Tuesday, June 14, 2005	Sheet 11 of 38

笔记本图纸QQ107203753

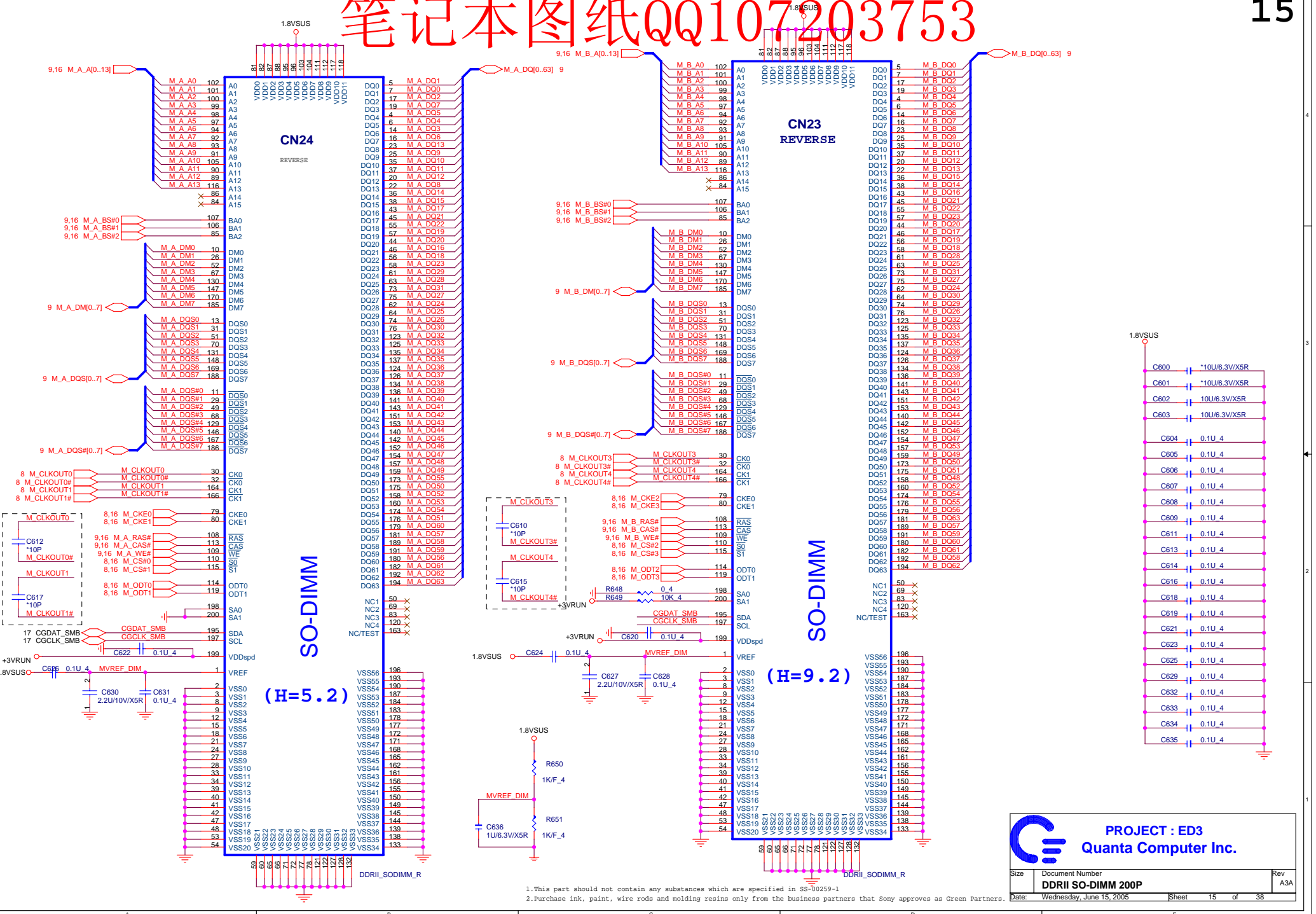


	R309	R308
Dothan A	Installed	Installed
Dothan B	NC	NC
Yonah	Installed	NC

PROJECT : ED3
Quanta Computer Inc.

Size	Document Number	Rev
	ICH6-M (CPU, PCI, IDE, SATA, AC97)	A3A
Date:	Wednesday, June 15, 2005	Sheet 12 of 38

笔记本图纸QQ107203753

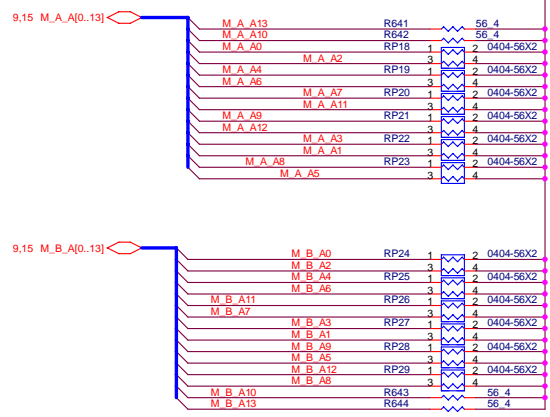
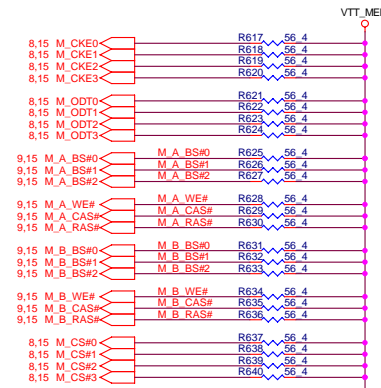
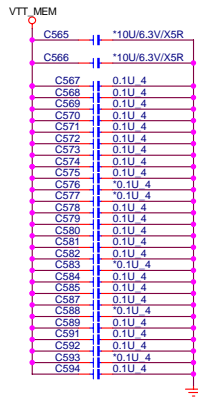
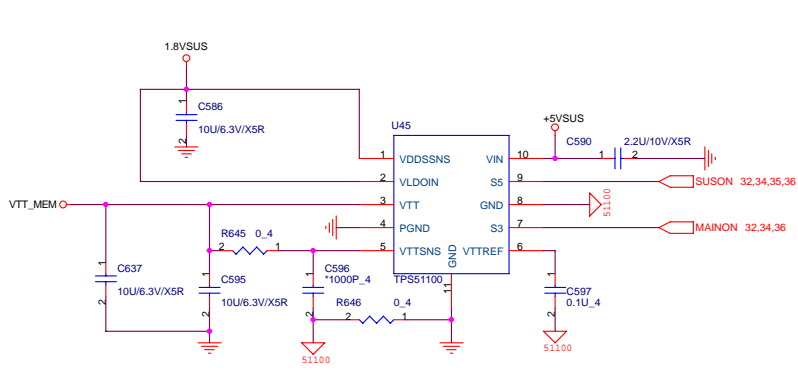


PROJECT : ED3
Quanta Computer Inc.

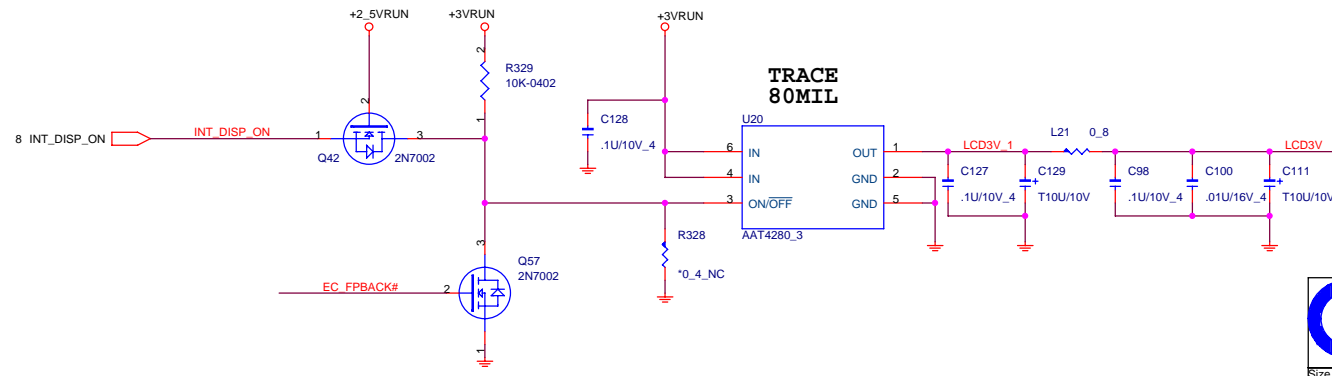
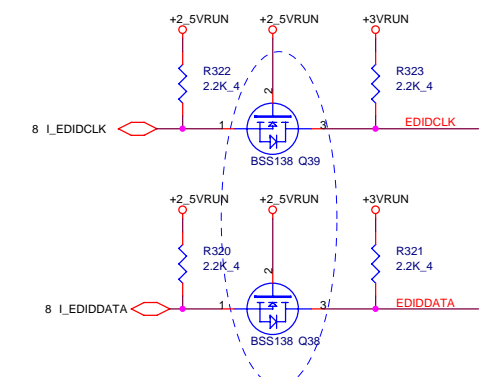
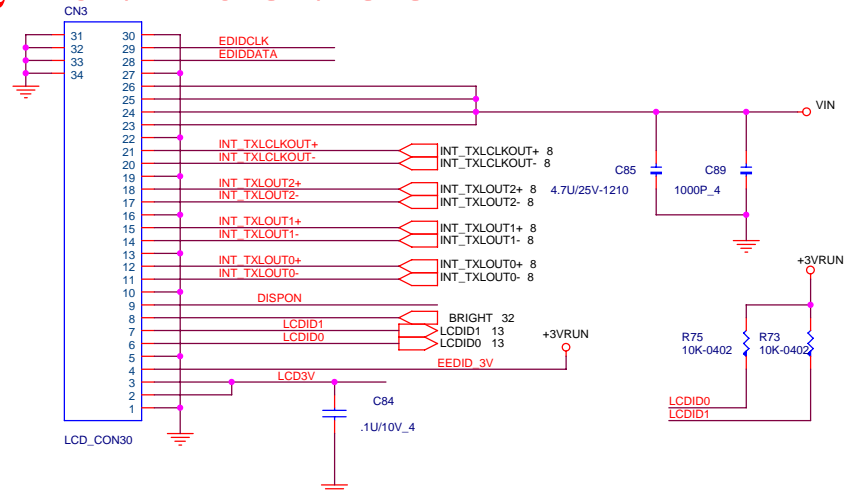
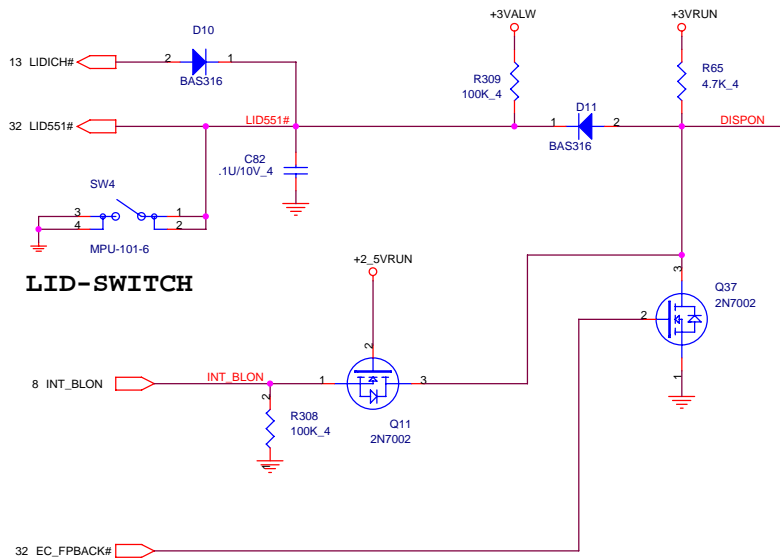
Size	Document Number	Rev
	DDRII SO-DIMM 200P	ASA
Date:	Wednesday, June 15, 2005	Sheet 15 of 38

1. This part should not contain any substances which are specified in SS-00259-1
 2. Purchase ink, paint, wire rods and molding resins only from the business partners that Sony approves as Green Partners.

笔记本图纸QQ107203753



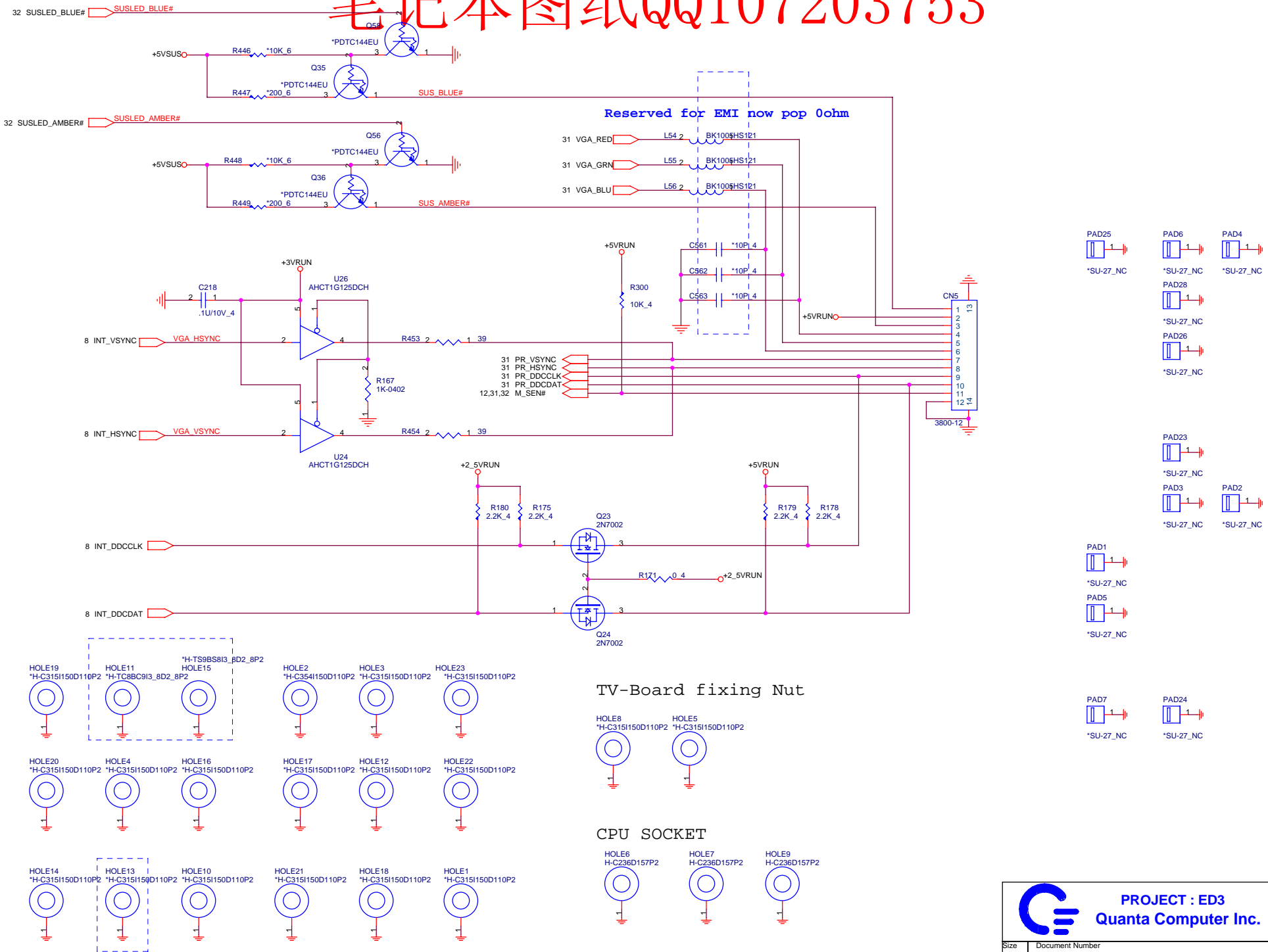
笔记本图纸QQ107203753



PROJECT : ED3
Quanta Computer Inc.

Size	Document Number	Rev
	LCD Connector	A3A
Date: Wednesday, June 15, 2005	Sheet 18 of 38	

笔记本图纸QQ107203753

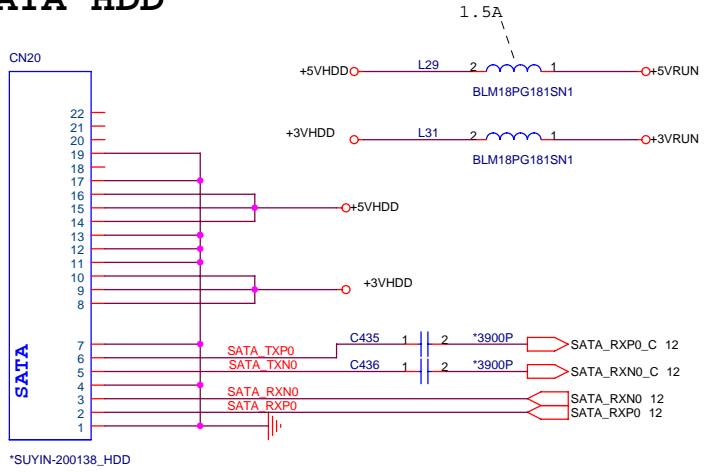


PROJECT : ED3
Quanta Computer Inc.

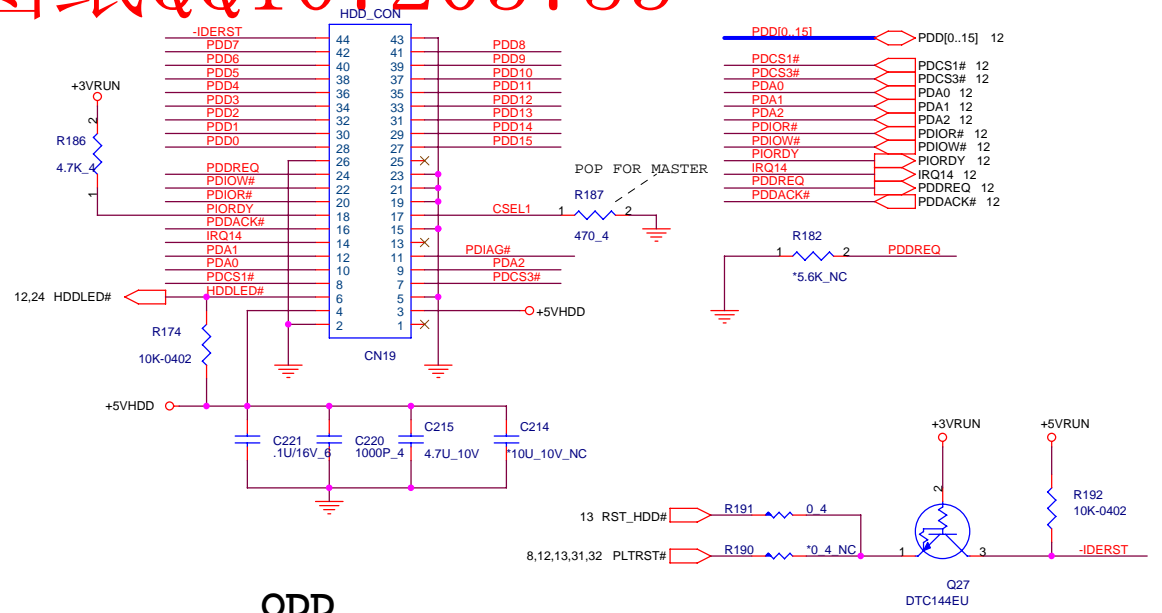
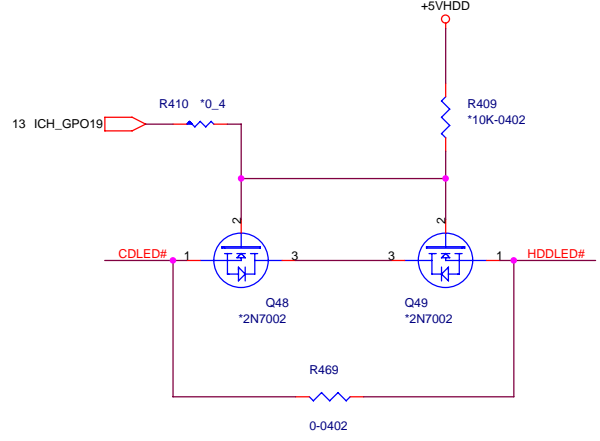
Size	Document Number	Rev
	CRT & TV Connector	A3A
Date:	Wednesday, June 15, 2005	Sheet 19 of 38

笔记本图纸QQ PATA HDD 107203753

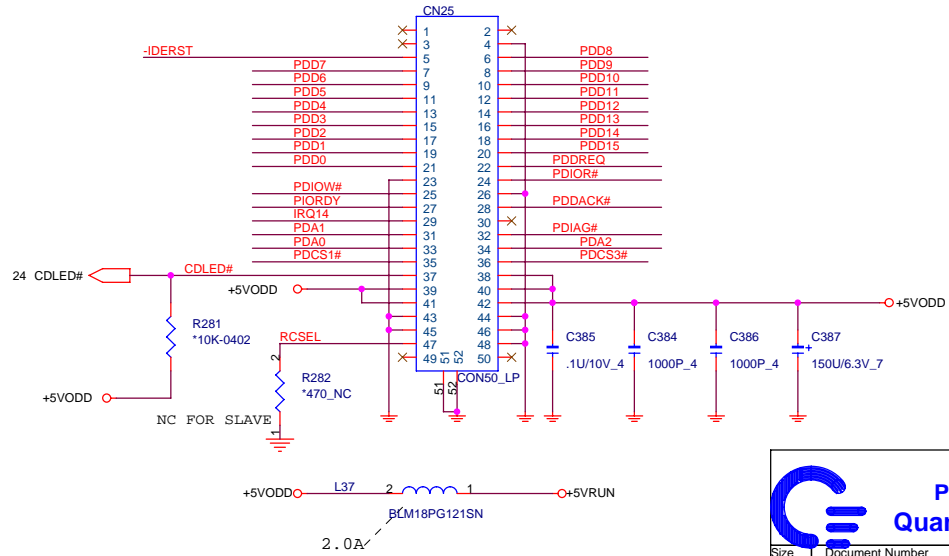
SATA HDD



*SUYIN-200138_HDD



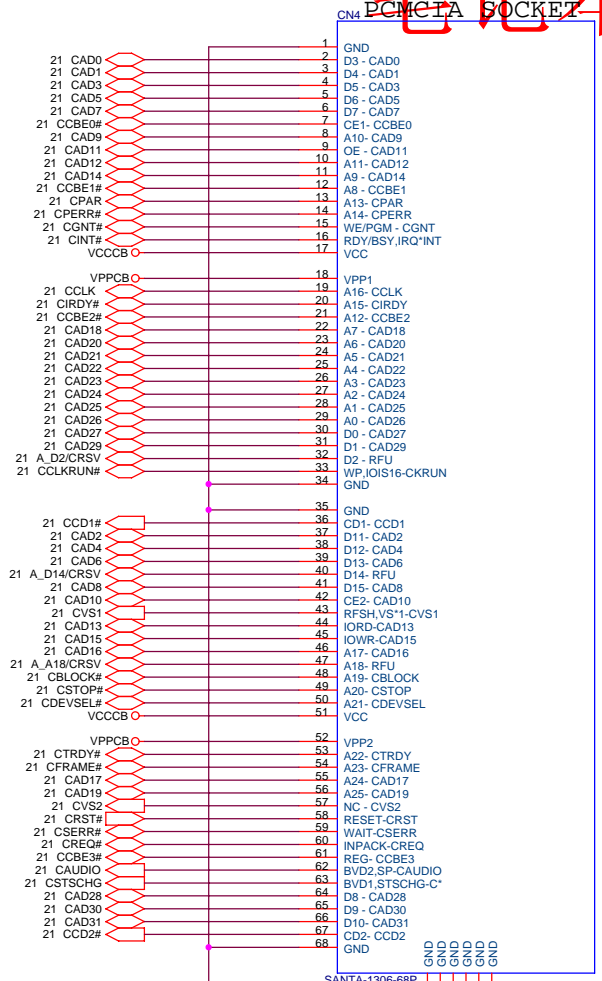
ODD



PROJECT : ED3
Quanta Computer Inc.

Size	Document Number	Rev
	HDD & CDROM Connector	A3A
Date:	Wednesday, June 15, 2005	Sheet 20 of 38

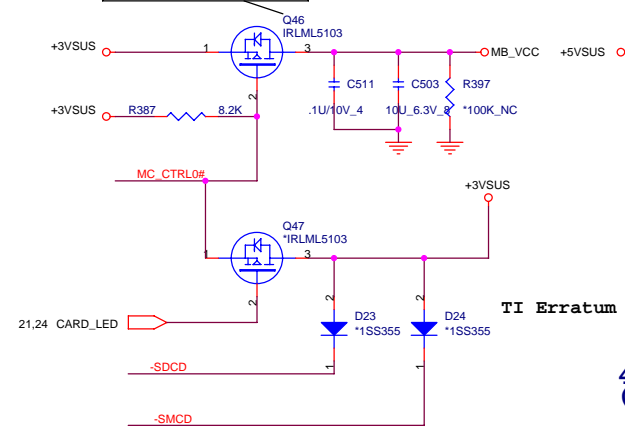
PCMCIA SOCKET 本图纸QQ107203753



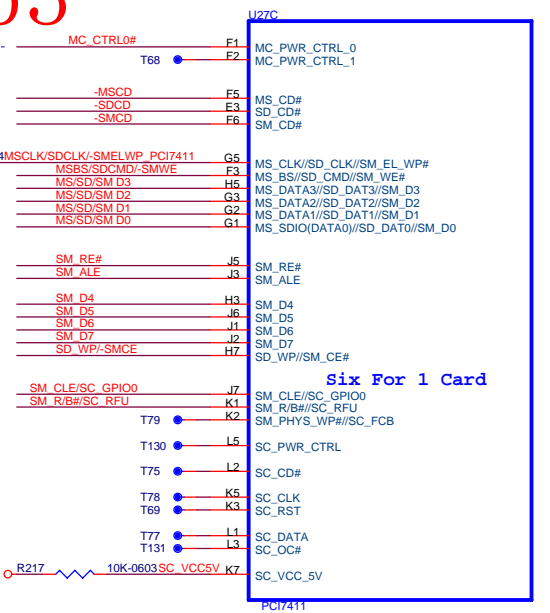
Flash Media Layout Guidelines:

- Signal traces should be 60 Ohm +/- 10%.
- All signal traces should be routed with equal propagation delay, and with trace lengths as short as practical.
- A 56 Ohm damping resistor for MS_CLK and SD_CLK should be placed near the PCI7411 source.

IRLML5103
Rds(on) = 0.6

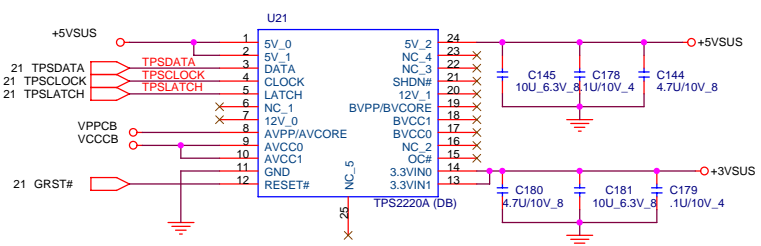
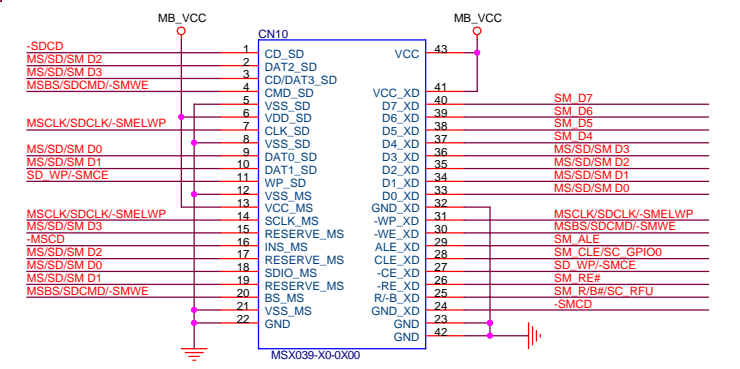


MC_PWR_CTL# low active(default), or change register to high active



Six For 1 Card

4 IN1 CARD READER (XD, MMC/SD, MS)

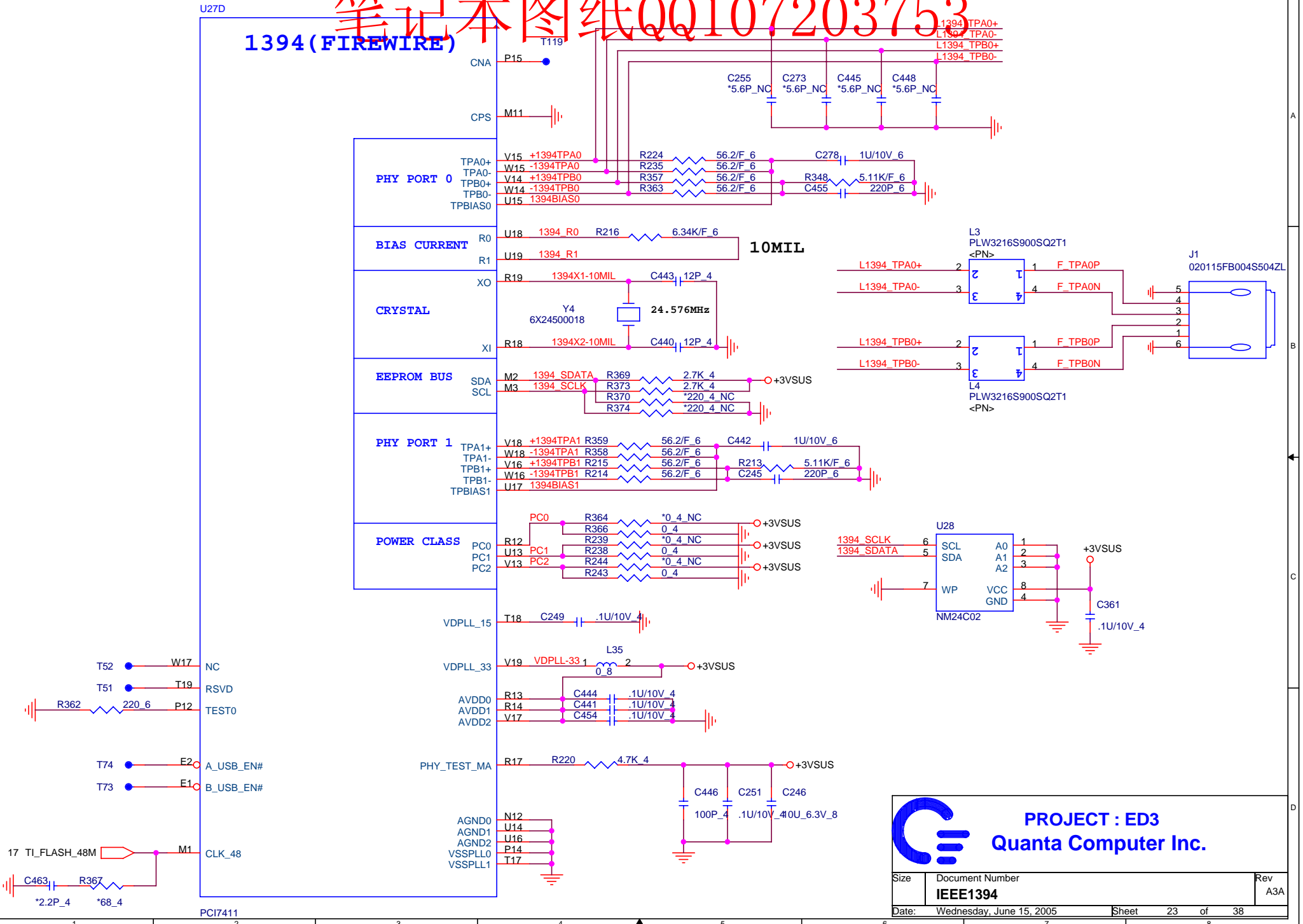


PROJECT : ED3
Quanta Computer Inc.

Size	Document Number	Rev
	PCMCIA Socket & 4-IN-1	A3A
Date:	Wednesday, June 15, 2005	Sheet 22 of 38

笔记本图纸QQ107203753

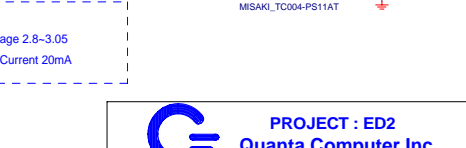
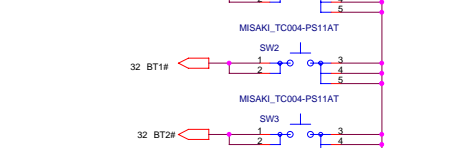
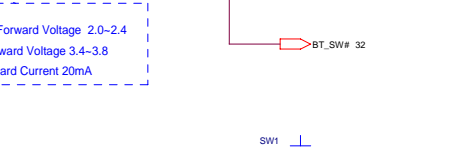
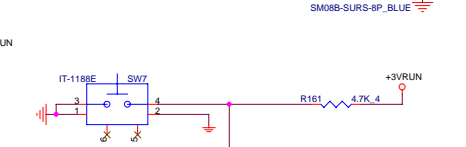
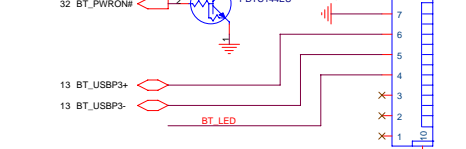
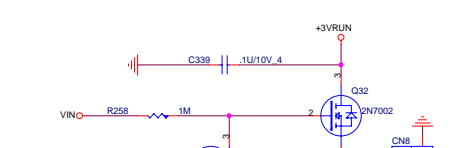
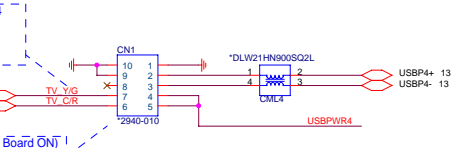
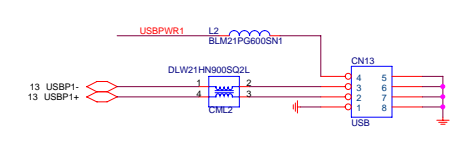
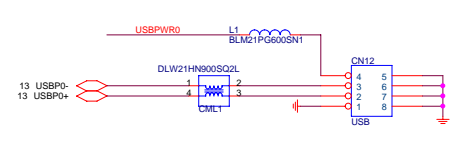
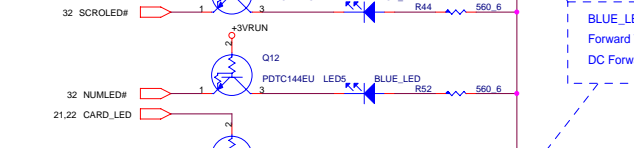
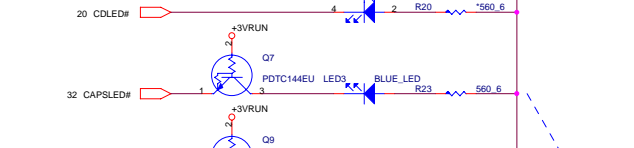
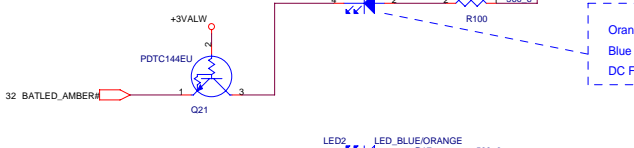
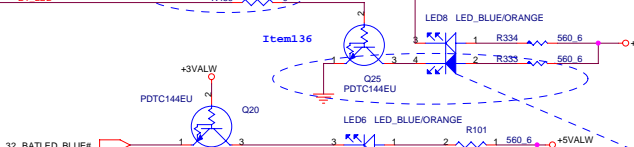
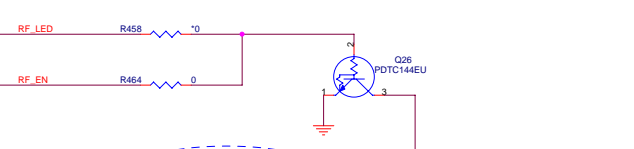
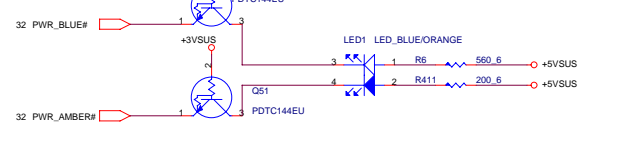
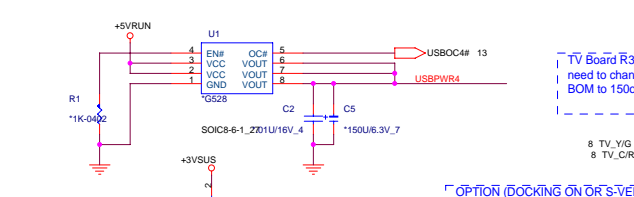
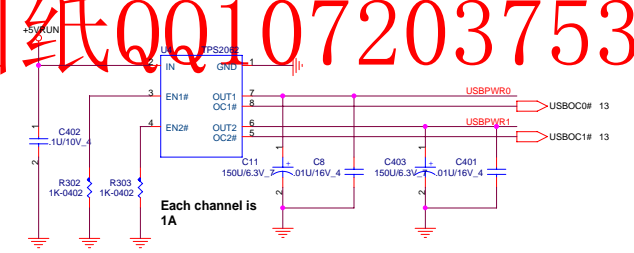
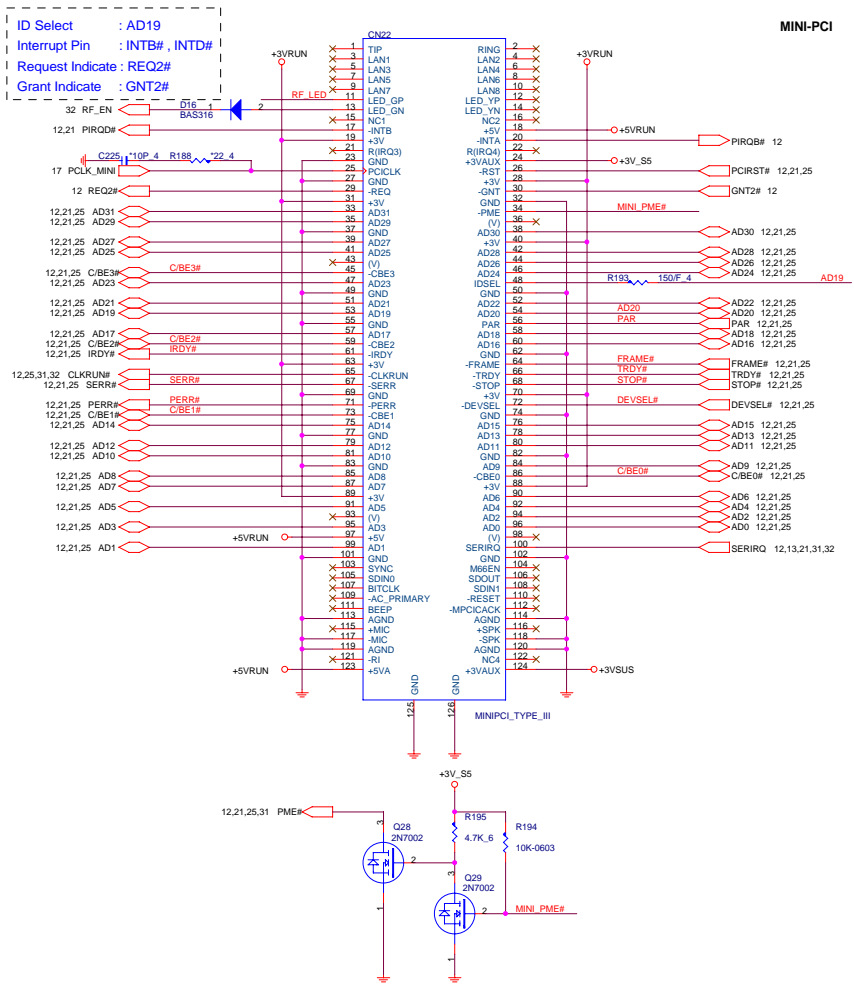
1394 (FIREWIRE)



PROJECT : ED3
Quanta Computer Inc.

Size	Document Number	Rev
	IEEE1394	A3A
Date:	Wednesday, June 15, 2005	Sheet 23 of 38

笔记本图纸QQ107203753

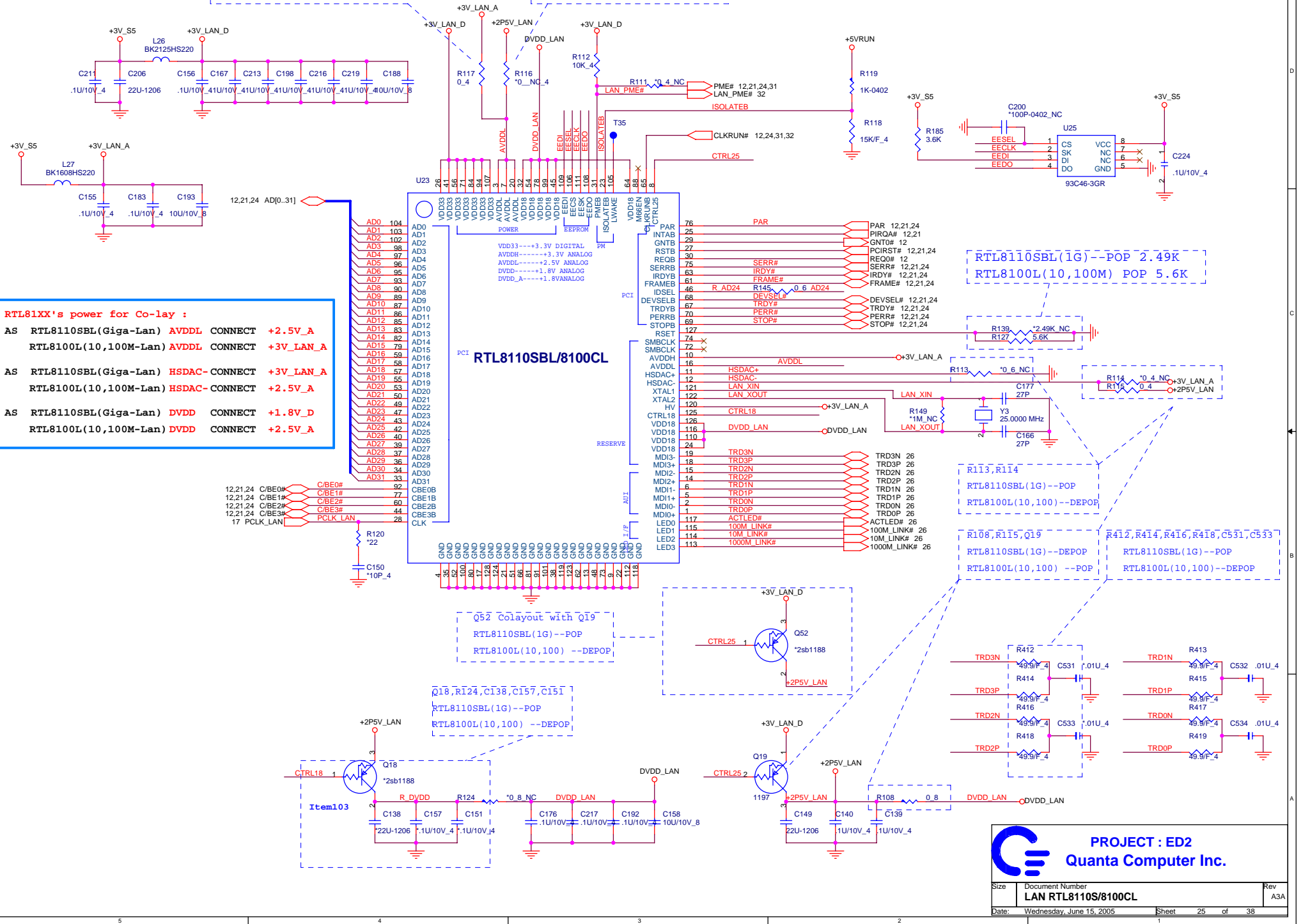


PROJECT : ED2
Quanta Computer Inc.

R117
RTL8110SBL(1G)--DEPOP
RTL8100L(10,100)--DEPOP

笔记本图纸00107203753

R116
RTL8110SBL(1G)--POP
RTL8100L(10,100)--DEPOP



- RTL81XX's power for Co-lay :**
- AS RTL8110SBL(Giga-Lan) AVDDL CONNECT +2.5V_A
 - RTL8100L(10,100M-Lan) AVDDL CONNECT +3V_LAN_A
 - AS RTL8110SBL(Giga-Lan) HSDAC- CONNECT +3V_LAN_A
 - RTL8100L(10,100M-Lan) HSDAC- CONNECT +2.5V_A
 - AS RTL8110SBL(Giga-Lan) DVDD CONNECT +1.8V_D
 - RTL8100L(10,100M-Lan) DVDD CONNECT +2.5V_A

RTL8110SBL(1G)--POP 2.49K
RTL8100L(10,100M) POP 5.6K

R113, R114
RTL8110SBL(1G)--POP
RTL8100L(10,100)--DEPOP

R108, R115, Q19
RTL8110SBL(1G)--DEPOP
RTL8100L(10,100)--POP

R412, R414, R416, R418, C531, C533
RTL8110SBL(1G)--POP
RTL8100L(10,100)--DEPOP

Q52 Colayout with Q19
RTL8110SBL(1G)--POP
RTL8100L(10,100)--DEPOP

Q18, R124, C138, C157, C151
RTL8110SBL(1G)--POP
RTL8100L(10,100)--DEPOP

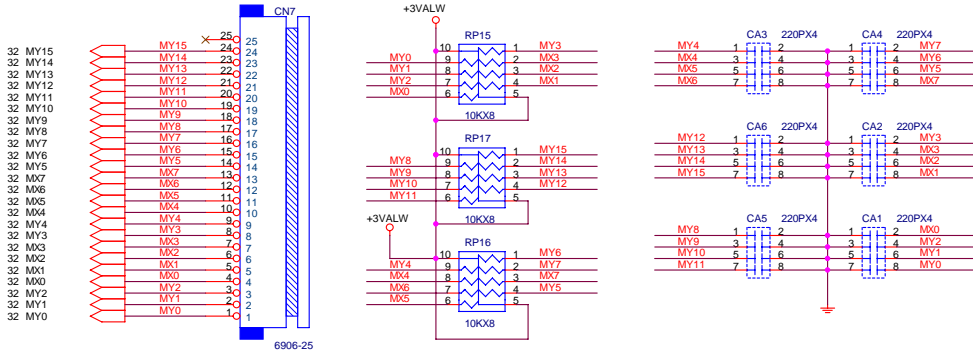
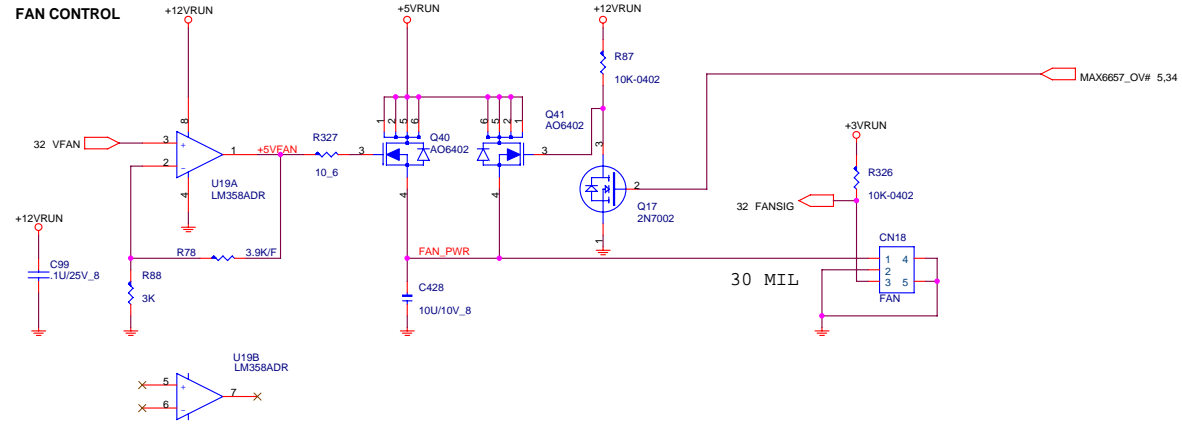
Item103
RTL8110SBL(1G)--POP
RTL8100L(10,100)--DEPOP

PROJECT : ED2
Quanta Computer Inc.

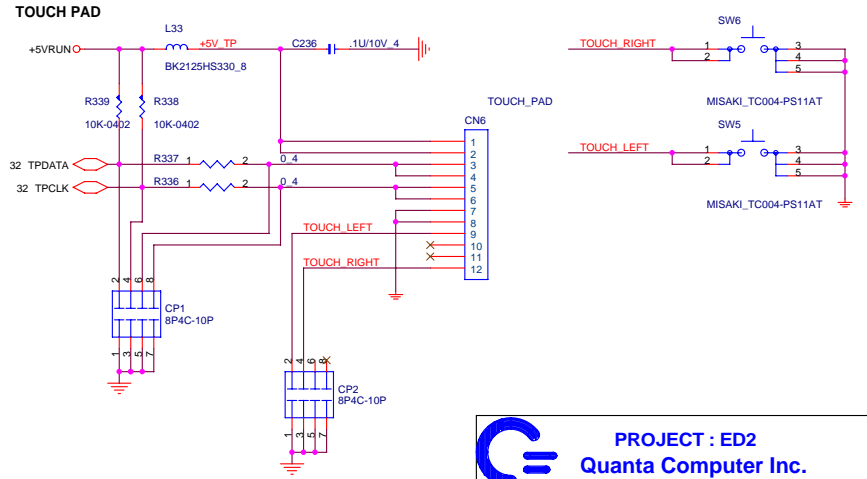
Size	Document Number	Rev
	LAN RTL8110S/8100CL	A3A
Date:	Wednesday, June 15, 2005	Sheet 25 of 38

笔记本图纸QQ107203753

FAN CONTROL



TOUCH PAD

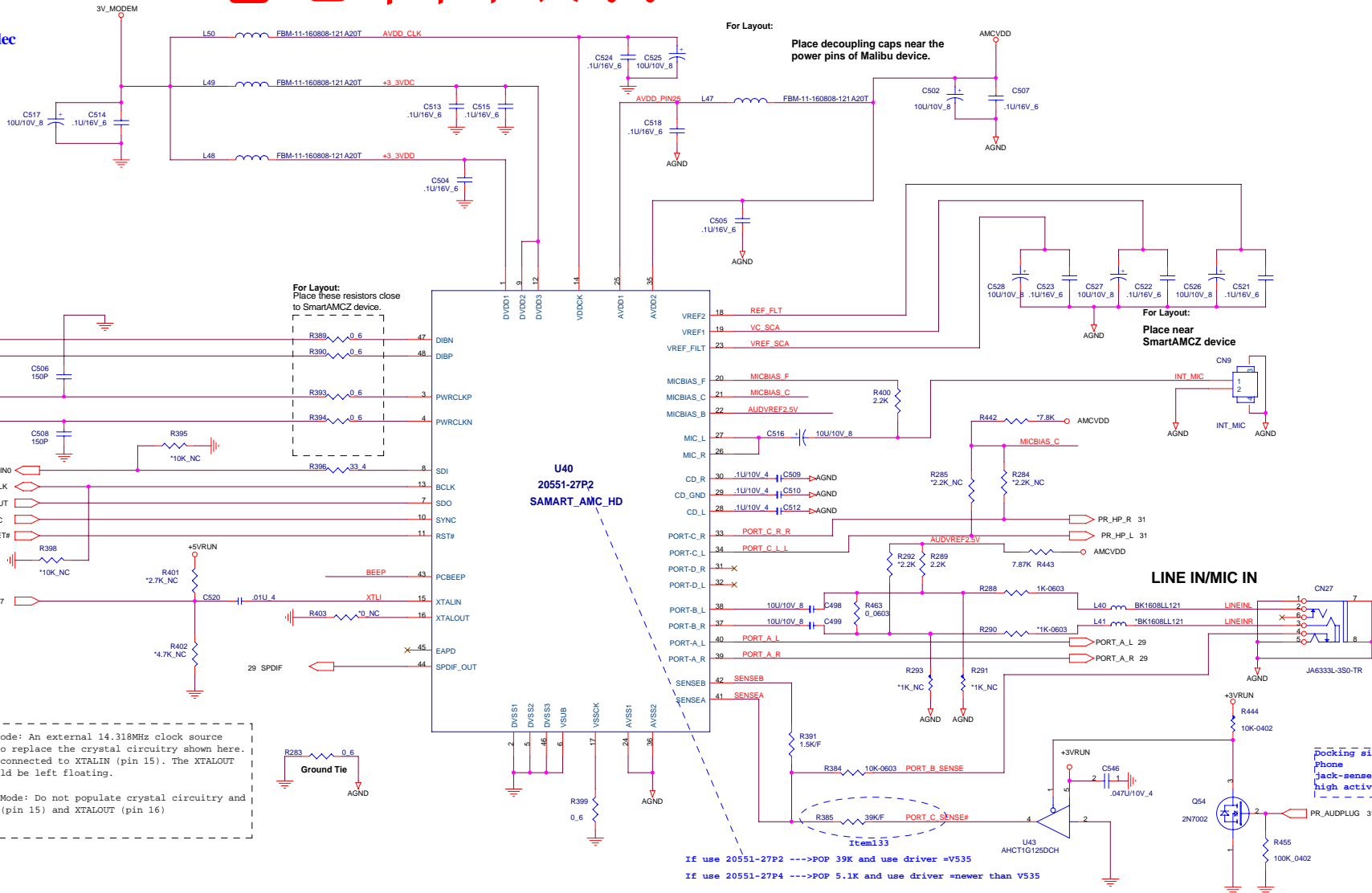


PROJECT : ED2
Quanta Computer Inc.

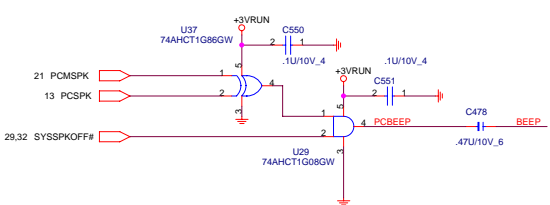
Size	Document Number	Rev
	T/P, FAN, Switch, K/B	A3A
Date:	Wednesday, June 15, 2005	Sheet 27 of 38

笔记本图纸QQ107203753

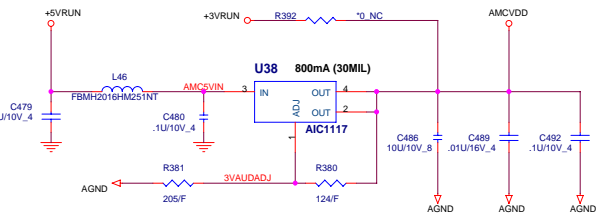
AC97 codec



BEEP

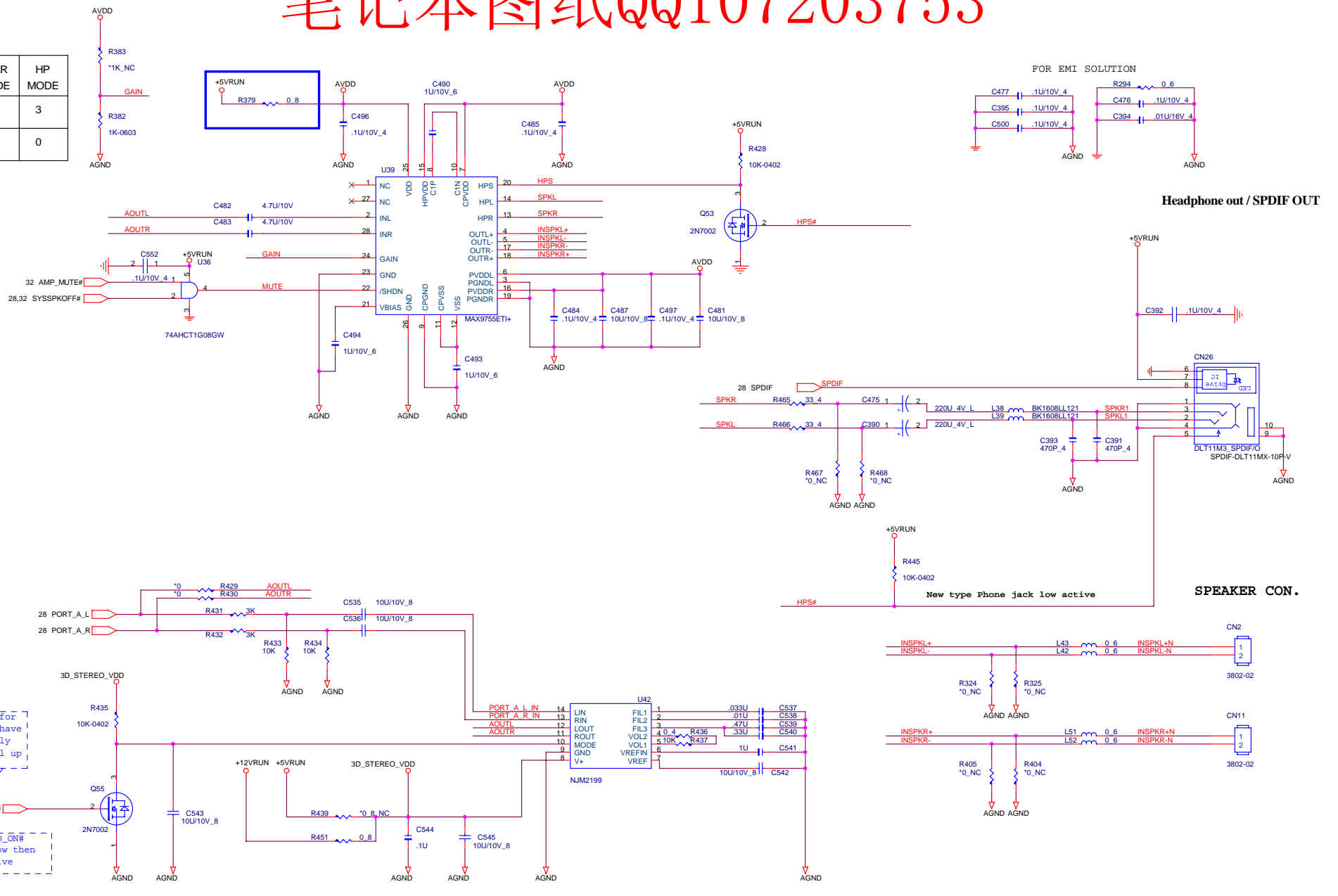


AC97 codec Power



笔记本图纸QQ107203753

GAIN	SPKR MODE	HP MODE
0	10.5	3
1	9	0



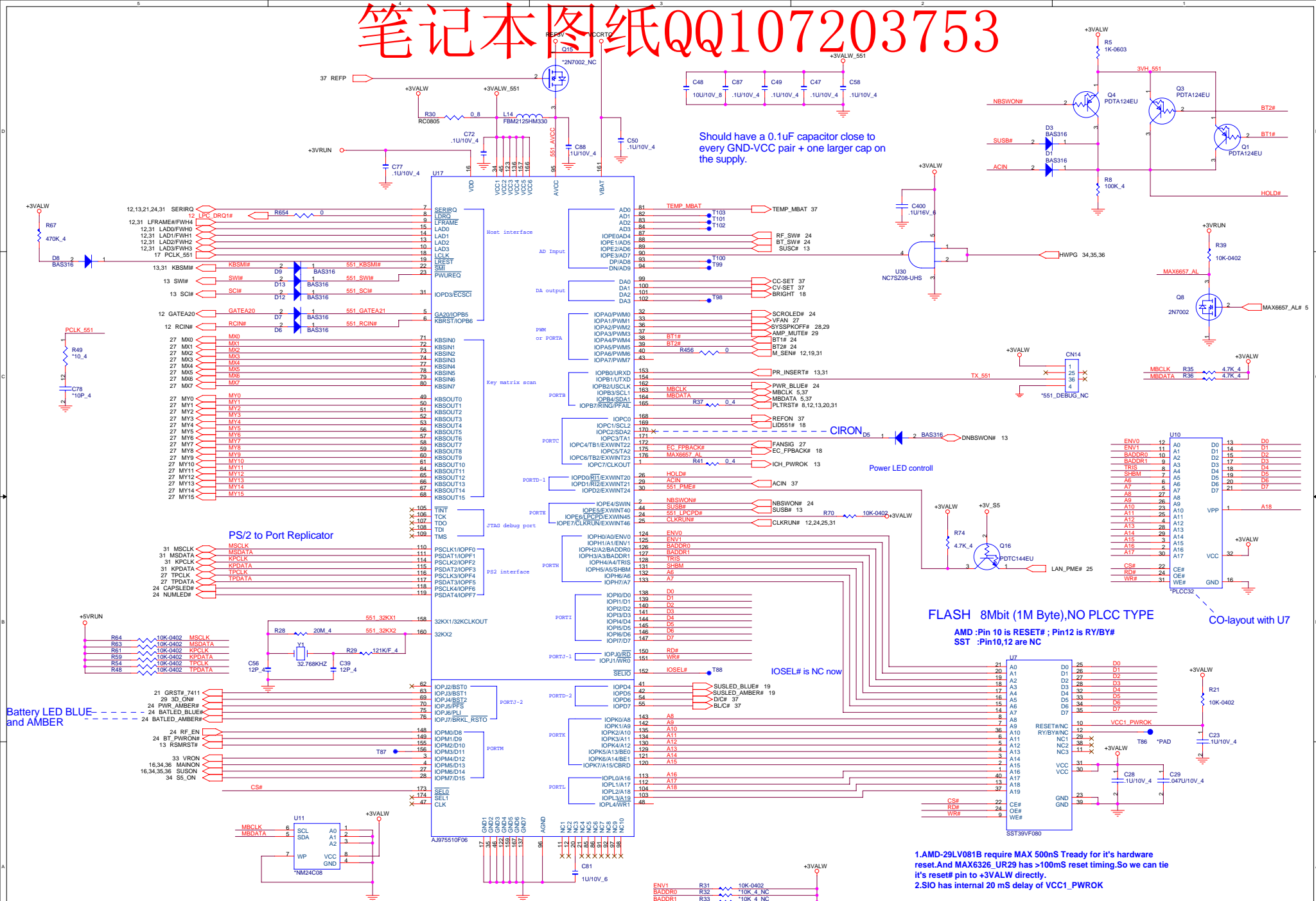
IOFJ2-7 For NS9751 have internally weak pull up

When 3D_ON# Keep low then 3D active

PROJECT : ED2
Quanta Computer Inc.

Size: Document Number
 Title: Audio Amplifier & Jack
 Date: Wednesday, June 15, 2005
 Sheet: 29 of 38
 Rev: A3A

笔记本图纸QQ107203753



Should have a 0.1uF capacitor close to every GND-VCC pair + one larger cap on the supply.

PS/2 to Port Replicator

FLASH 8Mbit (1M Byte), NO PLCC TYPE
AMD :Pin 10 is RESET# ; Pin12 is RY/BY#
SST :Pin10,12 are NC

IOSEL# is NC now

Battery LED BLUE and AMBER

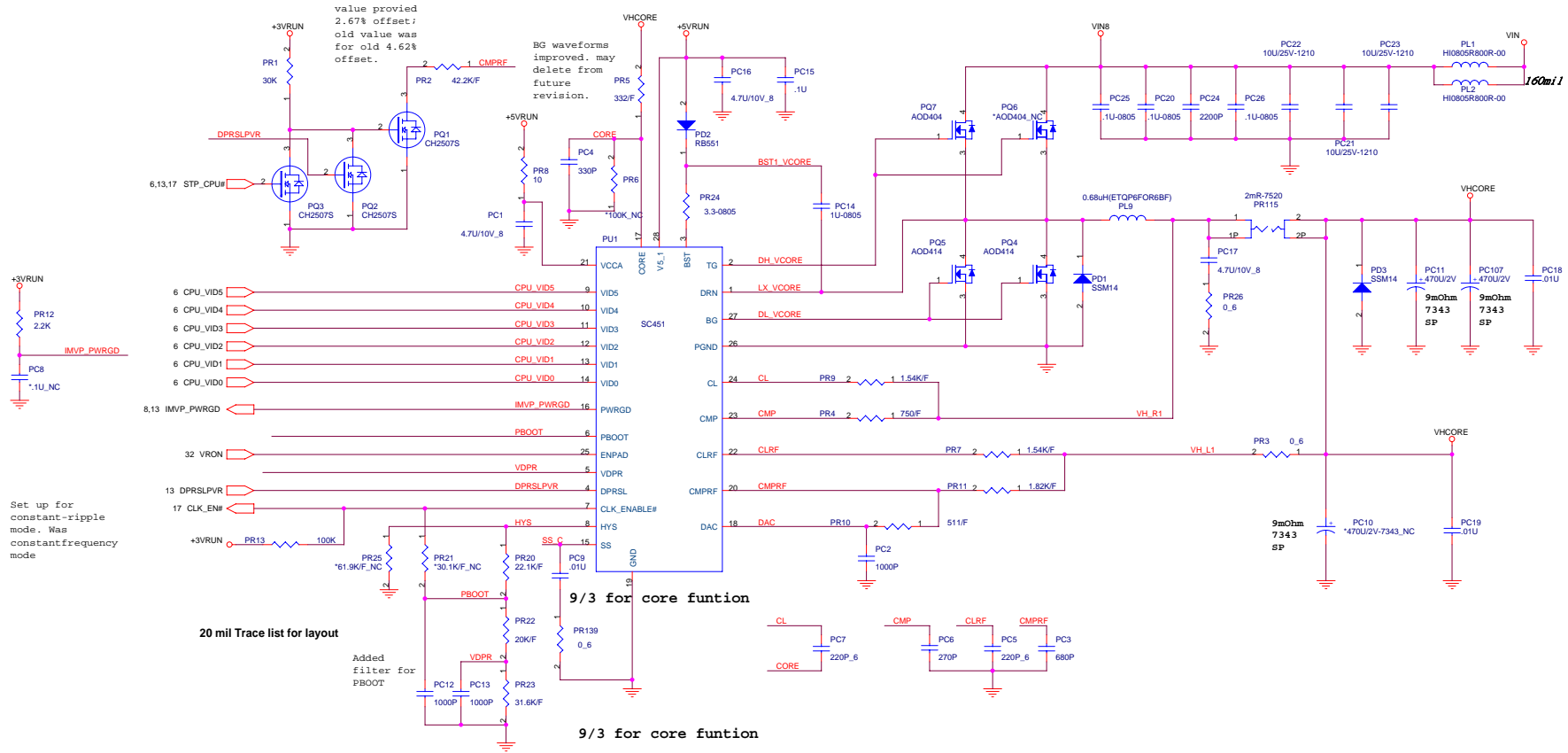
CO-layout with U7

1.AMD-29LV081B require MAX 500nS Tredy for it's hardware reset.And MAX6326_UR29 has >100ms reset timing.So we can tie it's reset# pin to +3VALW directly.
2.SIO has internal 20 ms delay of VCC1_PWROK

Index	I/O Address	Data
BADDR1-0		
0 0	2E	2F
1 1	4E	4F
1 0	(RCPGBAR, RCPGBAL RCPGBAR, RCPGBAL)1	
1 1	Reserved	

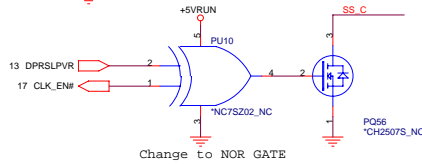
PROJECT : ED2
Quanta Computer Inc.

笔记本图纸QQ107203753



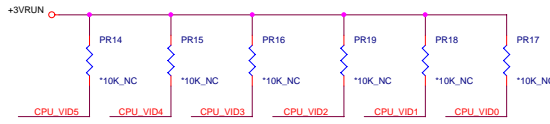
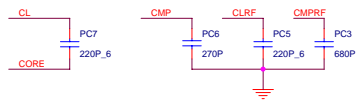
20 mil Trace list for layout

9/3 for core funtion

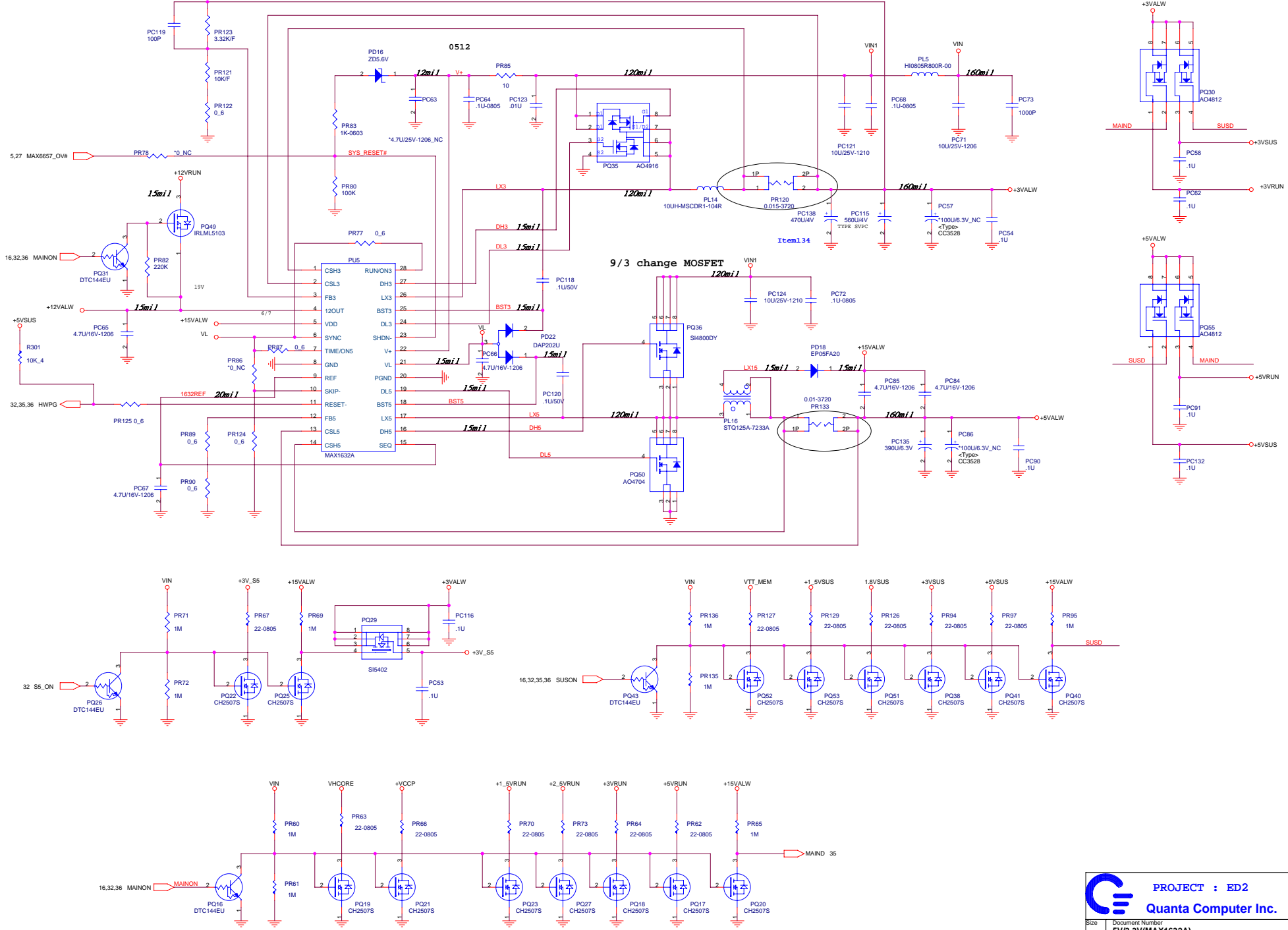


Change to NOR GATE

V I D							Vcore
VID 5	VID 4	VID 3	VID 2	VID 1	VID 0	V	
0	1	0	1	1	1	1.340	
0	1	1	0	0	0	1.324	
0	1	1	0	1	0	1.292	
0	1	1	1	0	0	1.260	
0	1	1	1	0	1	1.244	
0	1	1	1	1	1	1.212	
1	0	0	0	0	1	1.180	
1	0	0	0	1	1	1.148	
1	0	0	1	1	0	1.100	
1	0	1	0	0	1	1.052	
1	0	1	0	1	1	1.020	
1	0	1	1	1	0	0.972	
1	1	0	0	0	0	0.940	



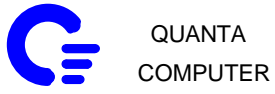
笔记本图纸QQ107203753



笔记本电脑图纸QQ107203753

CHANGE LIST

MODEL	REV	Description	Page	JM2	MB
			FM	TO	
	1A	Preliminary Release	1		
			2	1A	
			3		
			4		
			5		
			6		
			7		
			8		
			9		
			10		
			11		
			12		
			13		
			14		
			15		
			16		
			17		
			18		
			19		
			20		
			21		
			22		
			23		
			24		
			25		
			26		
			27		
			28		
			29		
			30		
			31		
			32		
			33		
			34		
			35		
			36		
			37		
			38		
			39		
			40		
			41		
			42		
			43		
			44		
			45		
			46		
			47		
			48		
			49		



PROJECT : DM3B	DOC. NO. ???	REV: 1A	ASSY:
APPROVED BY :	CHECKED BY:	DRAWN BY :	DATE :
			SHEET 1 OF 1