

# Compal Confidential

## KIU00 LA-4501P M/B Schematics Document

2008-08-20

REV:1.0

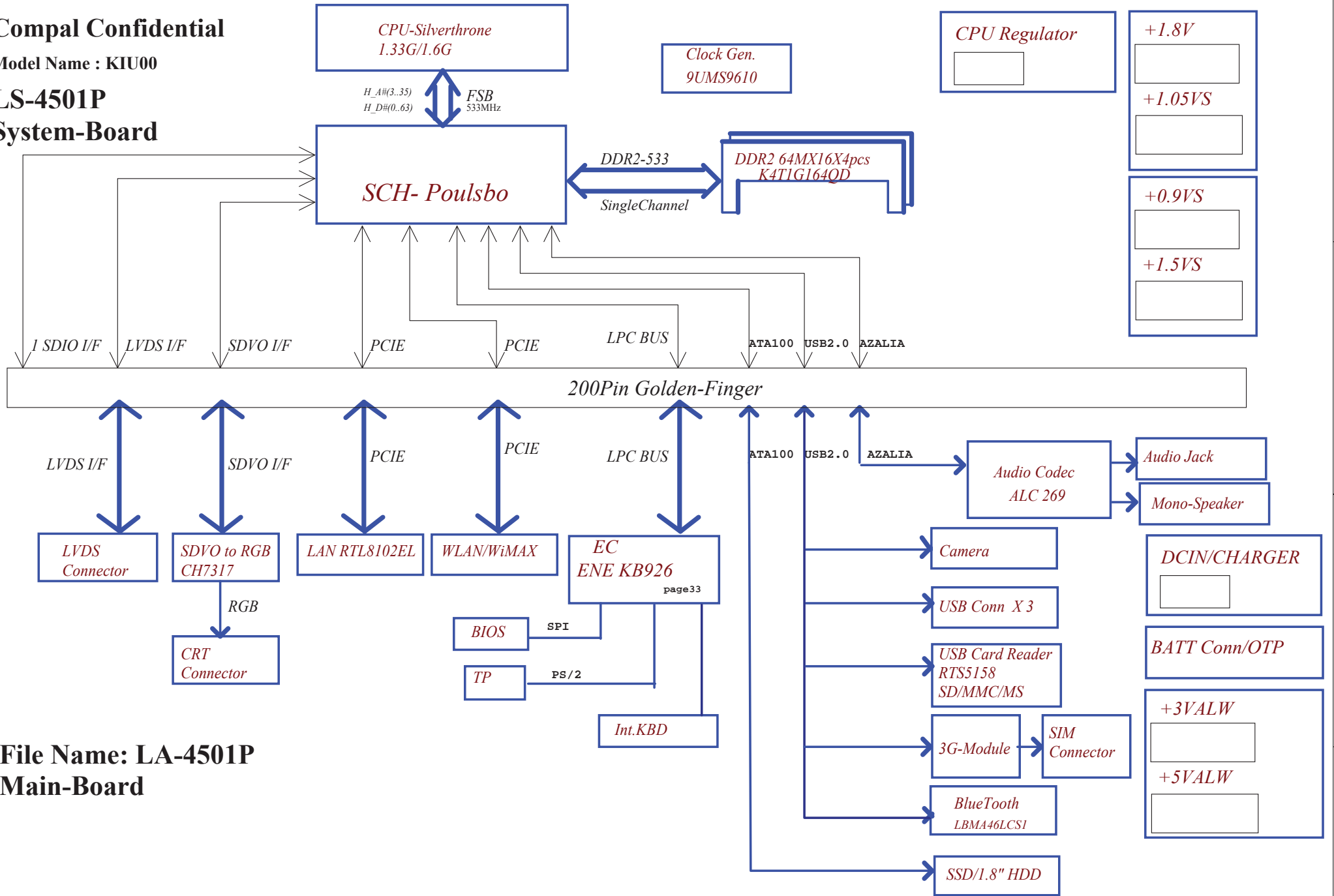
Security Classification		Compal Secret Data		Title	
Issued Date	2008/05/30	Deciphered Date	2011/05/30	<b>Compal Electronics, Inc.</b>	
<small>THIS SHEET OF ENGINEERING DRAWING IS THE PROPRIETARY PROPERTY OF COMPAL ELECTRONICS, INC. AND CONTAINS CONFIDENTIAL AND TRADE SECRET INFORMATION. THIS SHEET MAY NOT BE TRANSFERRED FROM THE CUSTODY OF THE COMPETENT DIVISION OF R&amp;D DEPARTMENT EXCEPT AS AUTHORIZED BY COMPAL ELECTRONICS, INC. NEITHER THIS SHEET NOR THE INFORMATION IT CONTAINS MAY BE USED BY OR DISCLOSED TO ANY THIRD PARTY WITHOUT PRIOR WRITTEN CONSENT OF COMPAL ELECTRONICS, INC.</small>				<b>Cover Sheet</b>	
				Size Custom	Document Number <b>Yao-Ming(Menlow)</b>
				Sheet 1 of 18	

# Compal Confidential

Model Name : KIU00

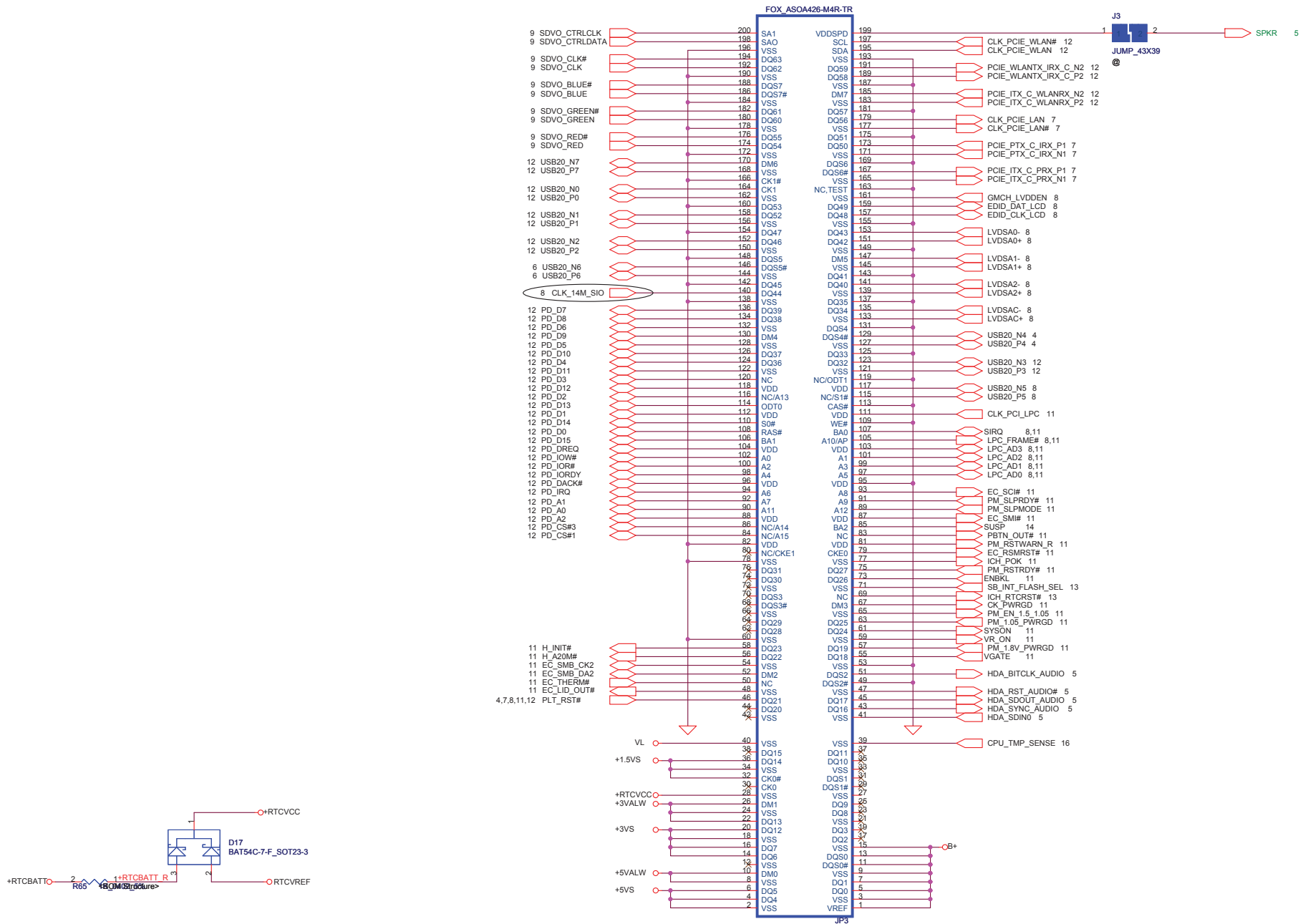
## LS-4501P

### System-Board



File Name: LA-4501P  
Main-Board

Security Classification		Compal Secret Data		Title	
Issued Date	2008/05/30	Deciphered Date	2011/05/30	Compal Electronics, Inc.	
THIS SHEET OF ENGINEERING DRAWING IS THE PROPRIETARY PROPERTY OF COMPAL ELECTRONICS, INC. AND CONTAINS CONFIDENTIAL AND TRADE SECRET INFORMATION. THIS SHEET MAY NOT BE TRANSFERRED FROM THE CUSTODY OF THE COMPETENT DIVISION OF R&D DEPARTMENT EXCEPT AS AUTHORIZED BY COMPAL ELECTRONICS, INC. NEITHER THIS SHEET NOR THE INFORMATION IT CONTAINS MAY BE USED BY OR DISCLOSED TO ANY THIRD PARTY WITHOUT PRIOR WRITTEN CONSENT OF COMPAL ELECTRONICS, INC.				Block Diagram	
Size	Document Number	Date		Rev	1.0
Custom	Yao-Ming(Menlow)	Wednesday, August 20, 2008		Sheet	2 of 18

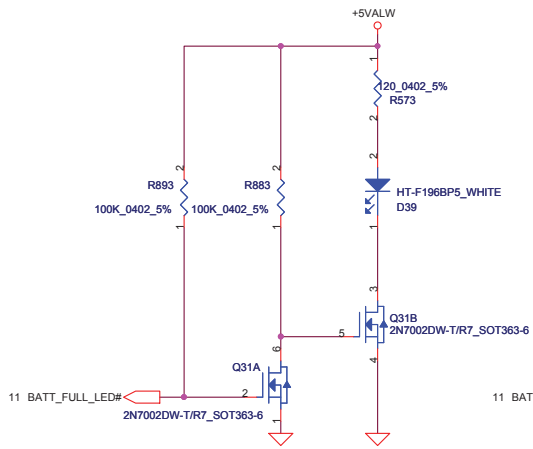


Security Classification	Compal Secret Data	
Issued Date	2008/05/30	Deciphered Date
		2011/05/30

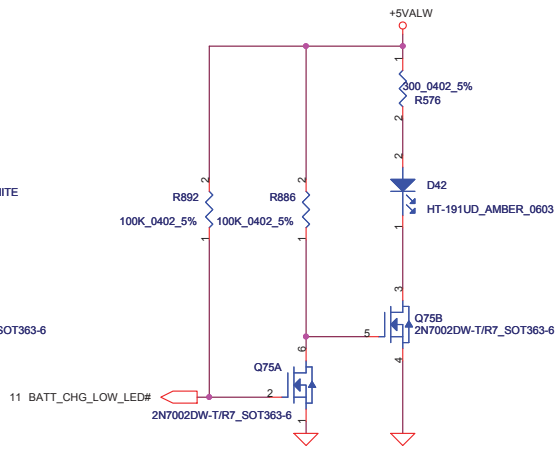
THIS SHEET OF ENGINEERING DRAWING IS THE PROPRIETARY PROPERTY OF COMPAL ELECTRONICS, INC. AND CONTAINS CONFIDENTIAL AND TRADE SECRET INFORMATION. THIS SHEET MAY NOT BE DISCLOSED FROM THE CUSTODY OF THE COMPETENT DIVISION OF R&D DEPARTMENT EXCEPT AS AUTHORIZED BY COMPAL ELECTRONICS, INC. NEITHER THIS SHEET NOR THE INFORMATION IT CONTAINS MAY BE USED BY OR DISCLOSED TO ANY THIRD PARTY WITHOUT PRIOR WRITTEN CONSENT OF COMPAL ELECTRONICS, INC.

Compal Electronics, Inc.			
Title			
HDI-Interface			
Size	Document Number	Rev	
Custort	Yao-Ming(Menlow)	1.0	
Date:	Wednesday, August 20, 2008	Sheet	3 of 18

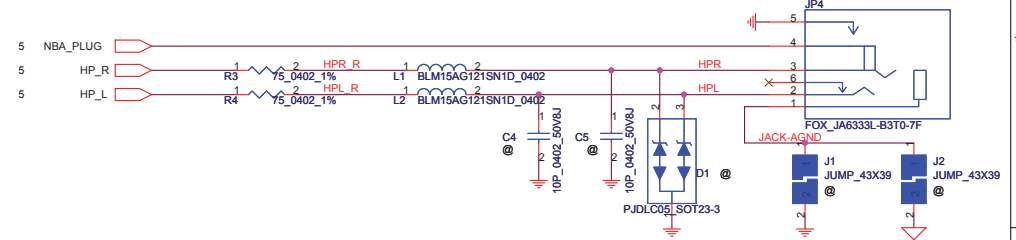
### FULL LED



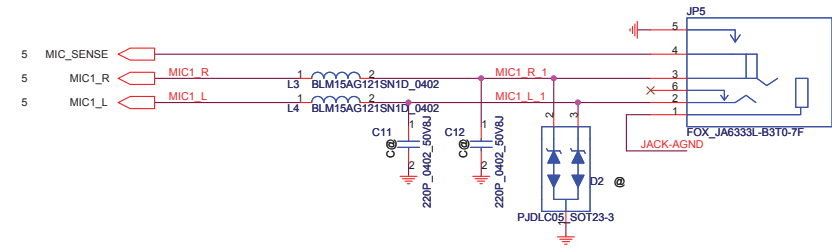
### BATT CHARGE



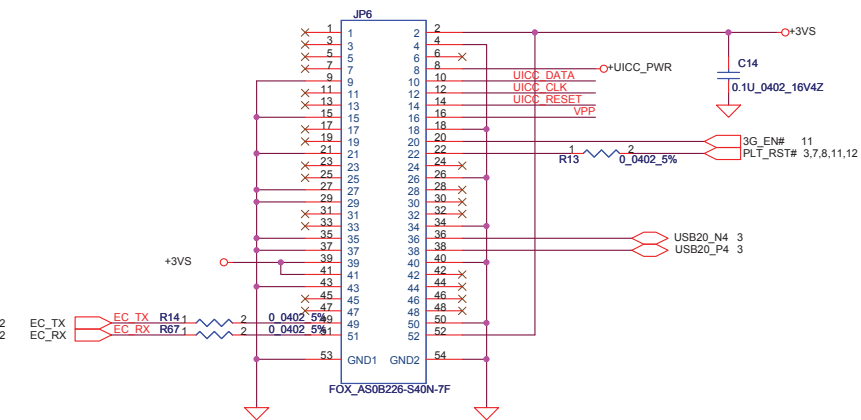
### HeadPhone JACK



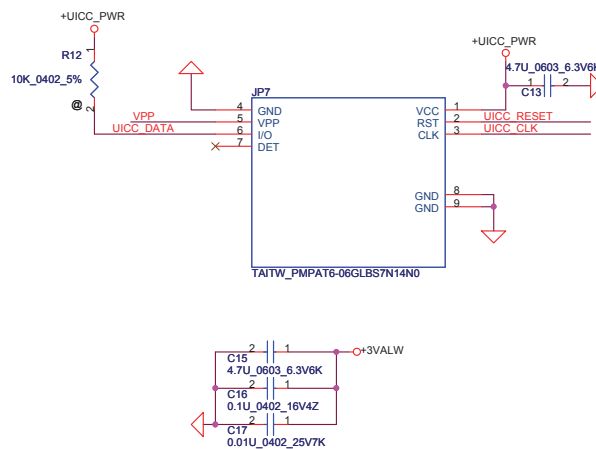
### Ext.MIC/LINE IN JACK



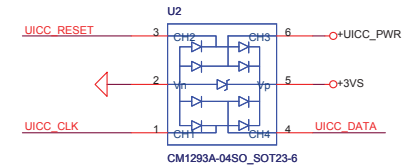
### PCIe Mini Card for 3G



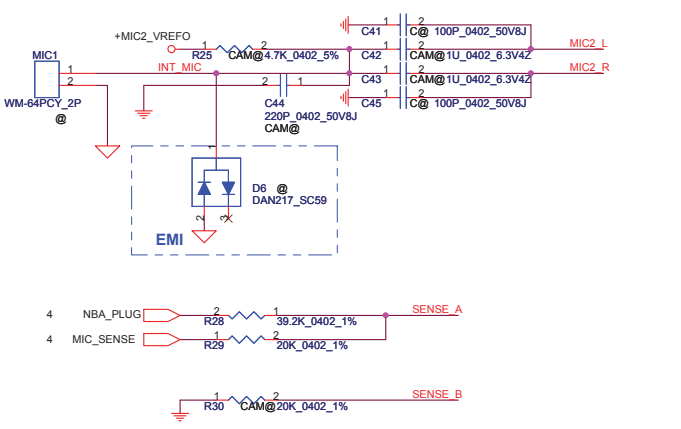
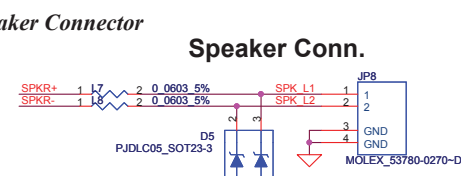
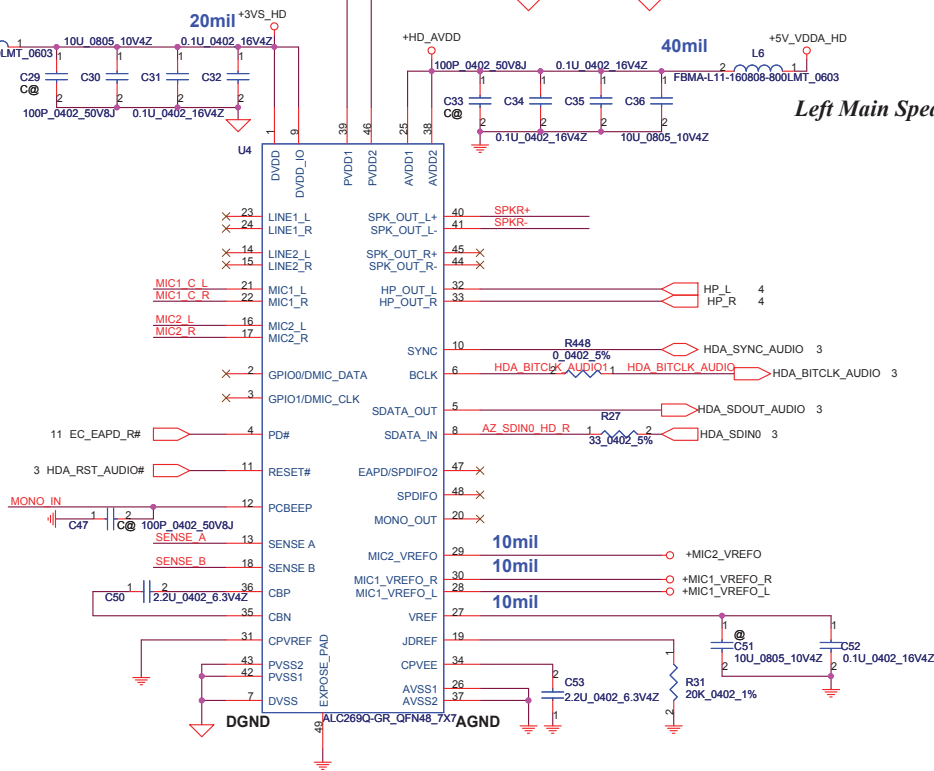
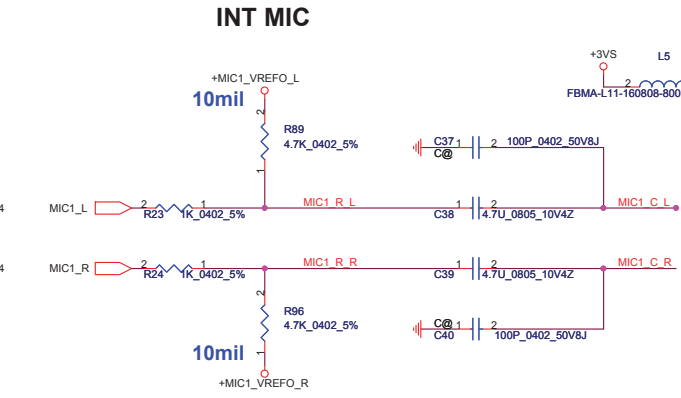
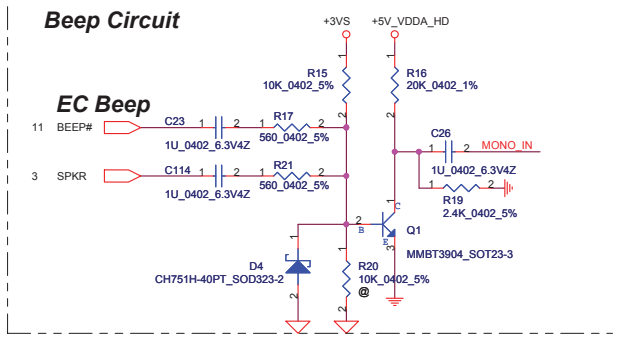
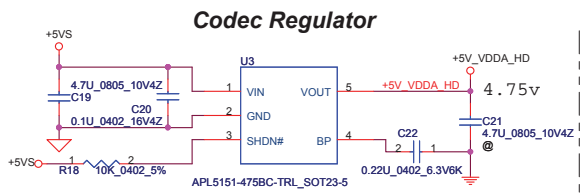
### SIM Connector



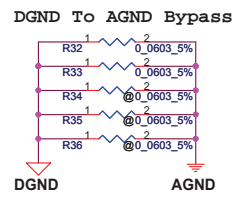
### Cap close to JP7



Security Classification		Compal Secret Data		Title	
Issued Date	2008/05/30	Deciphered Date	2011/05/30	MB/SD/USB/Audio Conn & LED	
THIS SHEET OF ENGINEERING DRAWING IS THE PROPRIETARY PROPERTY OF COMPAL ELECTRONICS, INC. AND CONTAINS CONFIDENTIAL AND TRADE SECRET INFORMATION. THIS SHEET MAY NOT BE TRANSFERRED FROM THE CUSTODY OF THE COMPETENT DIVISION OF R&D DEPARTMENT EXCEPT AS AUTHORIZED BY COMPAL ELECTRONICS, INC. NEITHER THIS SHEET NOR THE INFORMATION IT CONTAINS MAY BE USED BY OR DISCLOSED TO ANY THIRD PARTY WITHOUT PRIOR WRITTEN CONSENT OF COMPAL ELECTRONICS, INC.				Size	Document Number
				Yao-Ming(Menlow)	Rev 1.0
Date: Wednesday, August 20, 2008				Sheet 4	of 18

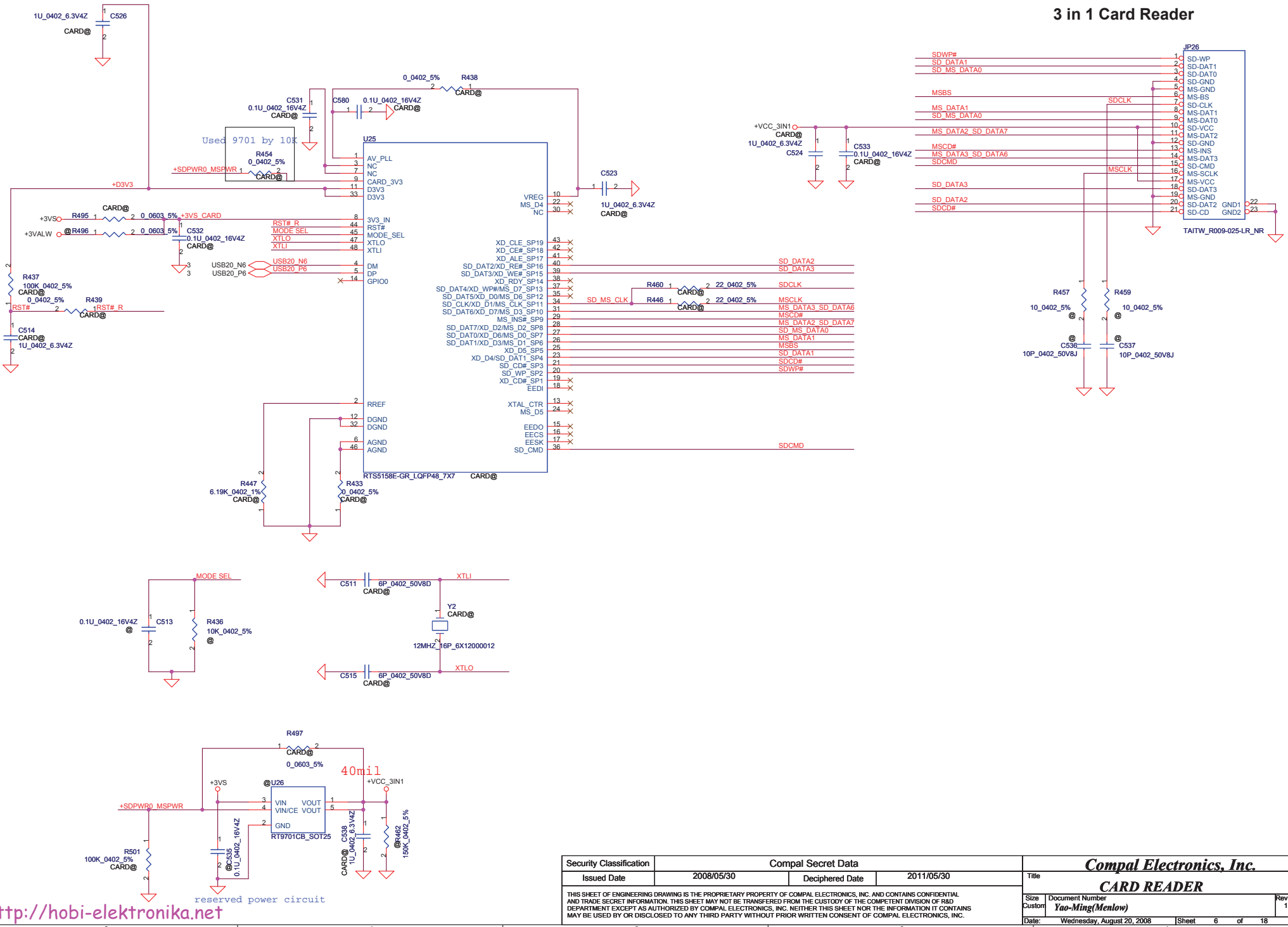


Sense Pin	Impedance	Codec Signals
SENSE A	39.2K	PORT-A (PIN 32, 33)
	20K	PORT-B (PIN 21, 22)
	10K	PORT-C (PIN 23, 24)
	5.1K	PORT-D (PIN 48)
SENSE B	39.2K	PORT-E (PIN 14, 15)
	20K	PORT-F (PIN 16, 17)
	10K	PORT-G (PIN 20)
	5.1K	PORT-H (PIN 47)



Security Classification	Compal Secret Data		Title	
Issued Date	2008/05/30	Deciphered Date	2011/05/30	Compal Electronics, Inc.
THIS SHEET OF ENGINEERING DRAWING IS THE PROPRIETARY PROPERTY OF COMPAL ELECTRONICS, INC. AND CONTAINS CONFIDENTIAL AND TRADE SECRET INFORMATION. THIS SHEET MAY NOT BE TRANSFERRED FROM THE CUSTODY OF THE COMPETENT DIVISION OF R&D DEPARTMENT EXCEPT AS AUTHORIZED BY COMPAL ELECTRONICS, INC. NEITHER THIS SHEET NOR THE INFORMATION IT CONTAINS MAY BE USED BY OR DISCLOSED TO ANY THIRD PARTY WITHOUT PRIOR WRITTEN CONSENT OF COMPAL ELECTRONICS, INC.				HDA-ALC269Q-GR
Size	Document Number	Date:	Wednesday, August 20, 2008	Rev 1.0
Custom	Yao-Ming(Menlow)	Sheet	5	of 18

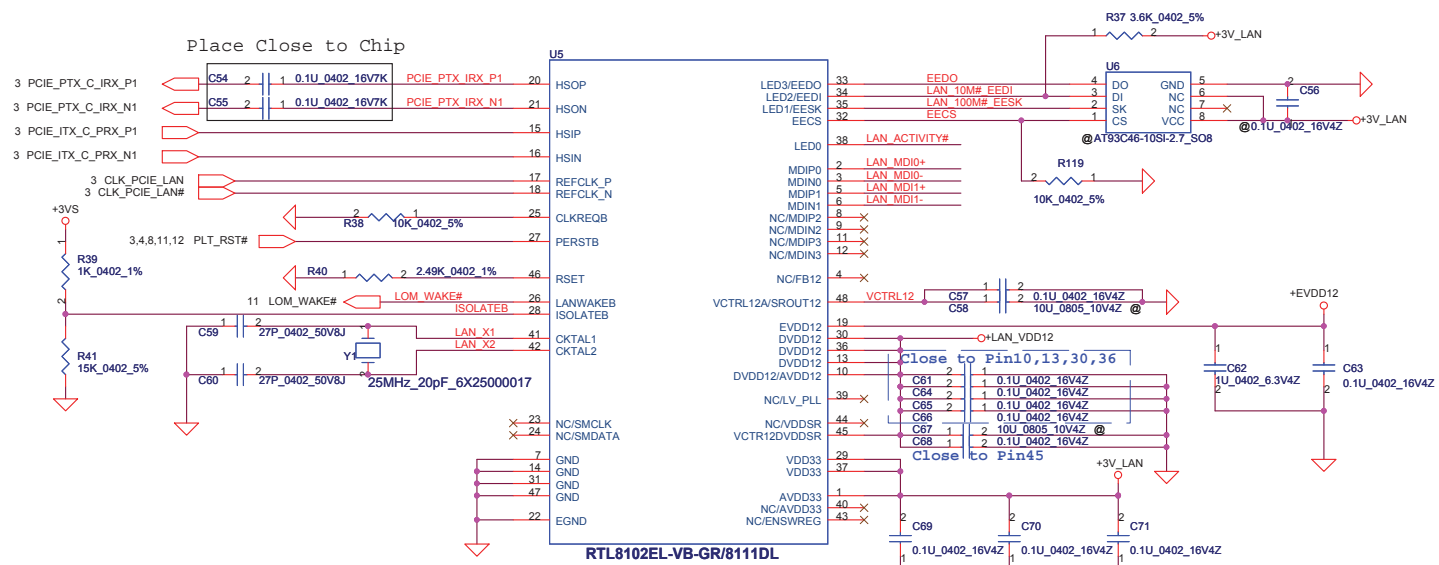
# 3 in 1 Card Reader



Security Classification	Compal Secret Data	
Issued Date	2008/05/30	Deciphered Date
		2011/05/30

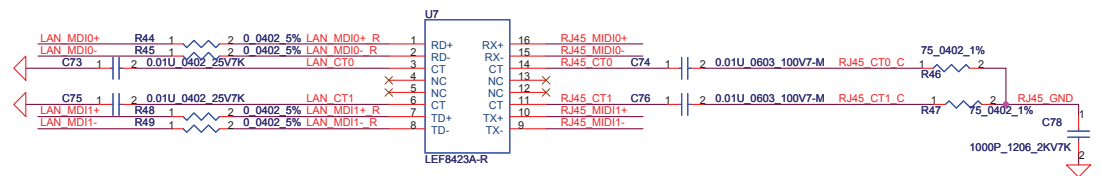
THIS SHEET OF ENGINEERING DRAWING IS THE PROPRIETARY PROPERTY OF COMPAL ELECTRONICS, INC. AND CONTAINS CONFIDENTIAL AND TRADE SECRET INFORMATION. THIS SHEET MAY NOT BE TRANSFERRED FROM THE CUSTODY OF THE COMPETENT DIVISION OF R&D DEPARTMENT EXCEPT AS AUTHORIZED BY COMPAL ELECTRONICS, INC. NEITHER THIS SHEET NOR THE INFORMATION IT CONTAINS MAY BE USED BY OR DISCLOSED TO ANY THIRD PARTY WITHOUT PRIOR WRITTEN CONSENT OF COMPAL ELECTRONICS, INC.

Title			<b>Compal Electronics, Inc.</b>		
Size			<b>CARD READER</b>		
Custom	Document Number		Rev	1.0	
	<b>Yao-Ming(Menlow)</b>		Date:	Wednesday, August 20, 2008	Sheet 6 of 18

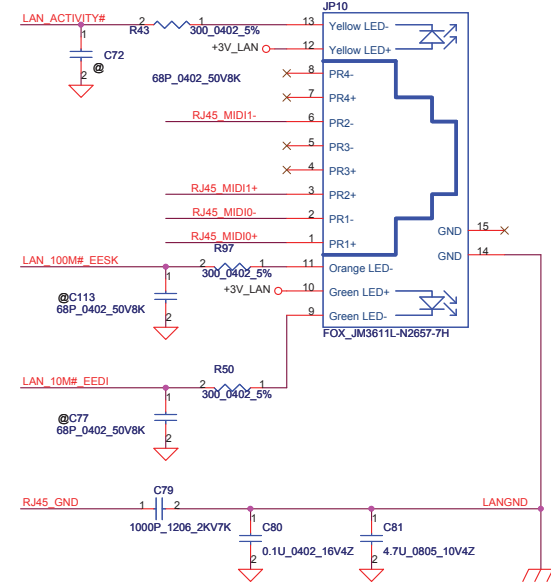


Place Close to Chip

Change the PCB Footprint from Y\_KDS\_1BX25000CK1A\_2P to Y\_6X25000017\_2P

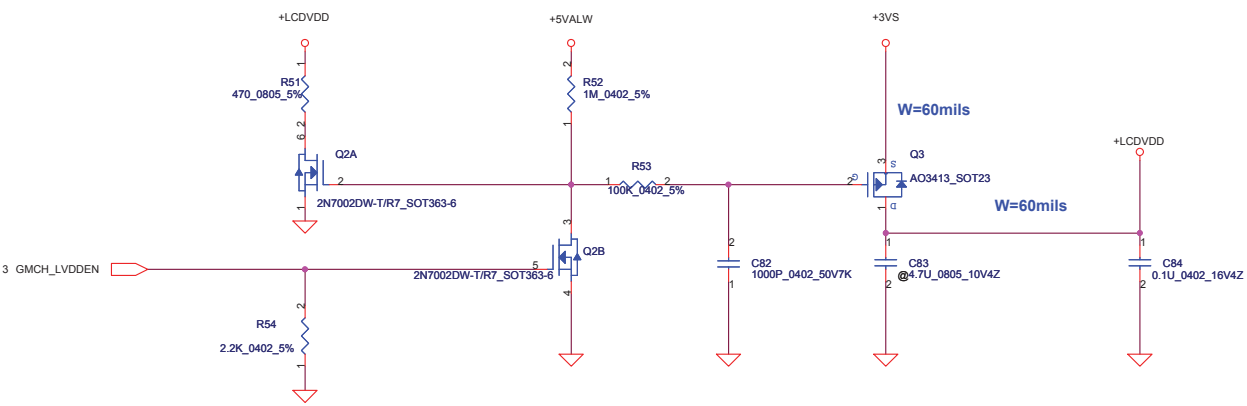


### LAN Conn.

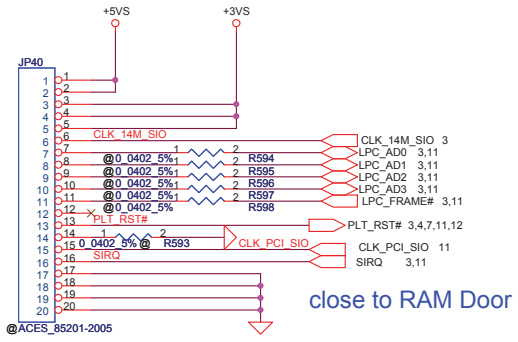


Security Classification		Compal Secret Data		Title	
Issued Date	2008/05/30	Deciphered Date	2011/05/30	Compal Electronics, Inc.	
THIS SHEET OF ENGINEERING DRAWING IS THE PROPRIETARY PROPERTY OF COMPAL ELECTRONICS, INC. AND CONTAINS CONFIDENTIAL AND TRADE SECRET INFORMATION. THIS SHEET MAY NOT BE TRANSFERRED FROM THE CUSTODY OF THE COMPETENT DIVISION OF R&D DEPARTMENT EXCEPT AS AUTHORIZED BY COMPAL ELECTRONICS, INC. NEITHER THIS SHEET NOR THE INFORMATION IT CONTAINS MAY BE USED BY OR DISCLOSED TO ANY THIRD PARTY WITHOUT PRIOR WRITTEN CONSENT OF COMPAL ELECTRONICS, INC.				LAN-RTL8102EL	
Size	Document Number	Date:		Rev	1.0
Custom	Yao-Ming(Menlow)	Wednesday, August 20, 2008		Sheet	7 of 18

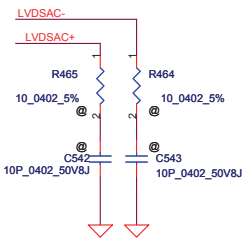
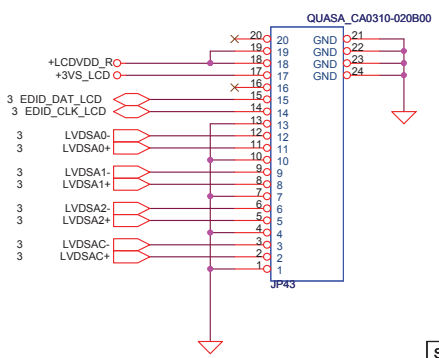
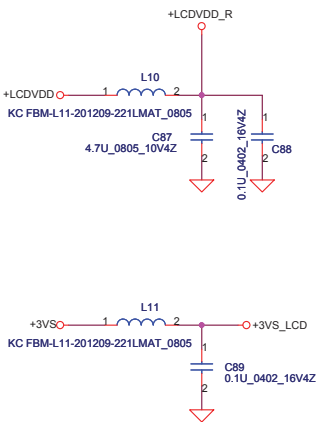
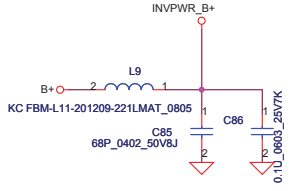
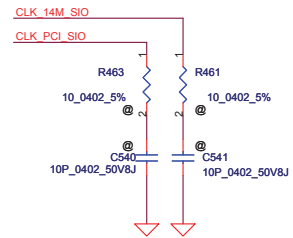
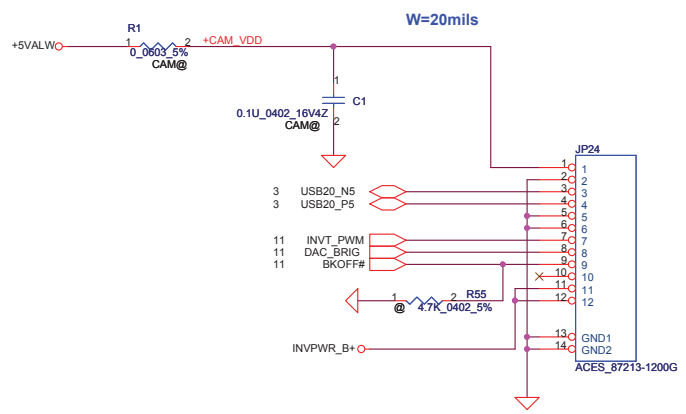
# LCD POWER CIRCUIT



# LPC Debug Port

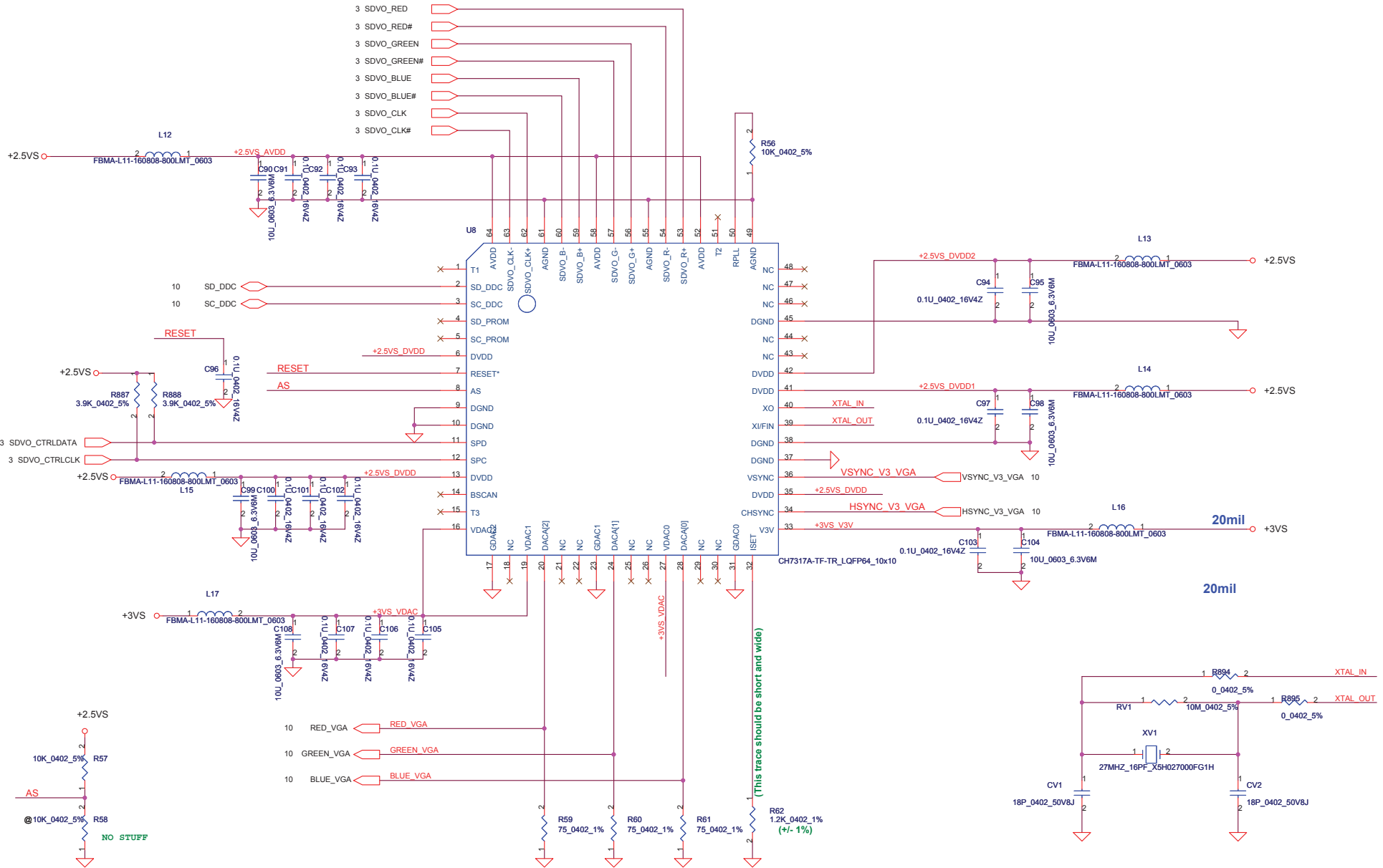


# LCD/PANEL BD. Conn.



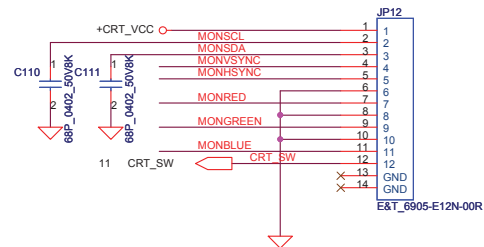
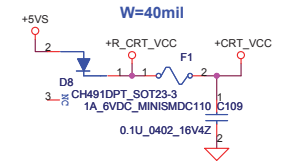
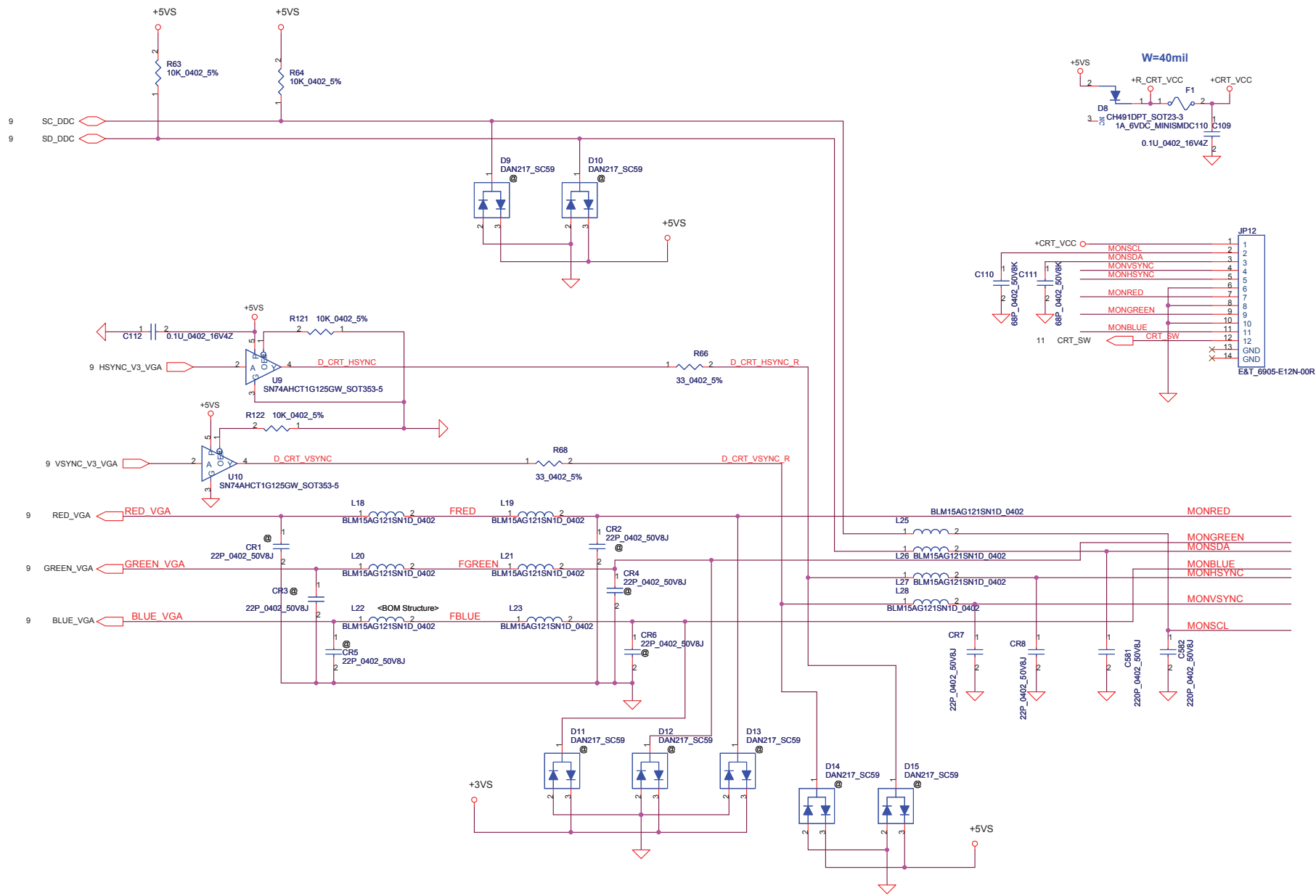
Security Classification		Compal Secret Data		Title	
Issued Date	2008/05/30	Deciphered Date	2011/05/30	Compal Electronics, Inc.	
THIS SHEET OF ENGINEERING DRAWING IS THE PROPRIETARY PROPERTY OF COMPAL ELECTRONICS, INC. AND CONTAINS CONFIDENTIAL AND TRADE SECRET INFORMATION. THIS SHEET MAY NOT BE TRANSFERRED FROM THE CUSTODY OF THE COMPETENT DIVISION OF R&D DEPARTMENT EXCEPT AS AUTHORIZED BY COMPAL ELECTRONICS, INC. NEITHER THIS SHEET NOR THE INFORMATION IT CONTAINS MAY BE USED BY OR DISCLOSED TO ANY THIRD PARTY WITHOUT PRIOR WRITTEN CONSENT OF COMPAL ELECTRONICS, INC.				LCD Conn & Debug Port	
Size	Document Number	Date:		Rev	1.0
Custort	Yao-Ming(Menlow)	Wednesday, August 20, 2008		Sheet	8 of 18





(This trace should be short and wide)

Security Classification		Compal Secret Data		Title	
Issued Date	2008/05/30	Deciphered Date	2011/05/30	CH7317	
THIS SHEET OF ENGINEERING DRAWING IS THE PROPRIETARY PROPERTY OF COMPAL ELECTRONICS, INC. AND CONTAINS CONFIDENTIAL AND TRADE SECRET INFORMATION. THIS SHEET MAY NOT BE TRANSFERRED FROM THE CUSTODY OF THE COMPETENT DIVISION OF R&D DEPARTMENT EXCEPT AS AUTHORIZED BY COMPAL ELECTRONICS, INC. NEITHER THIS SHEET NOR THE INFORMATION IT CONTAINS MAY BE USED BY OR DISCLOSED TO ANY THIRD PARTY WITHOUT PRIOR WRITTEN CONSENT OF COMPAL ELECTRONICS, INC.				Size	Rev
				Custom	1.0
				Date:	Wednesday, August 20, 2008
				Sheet	9 of 18



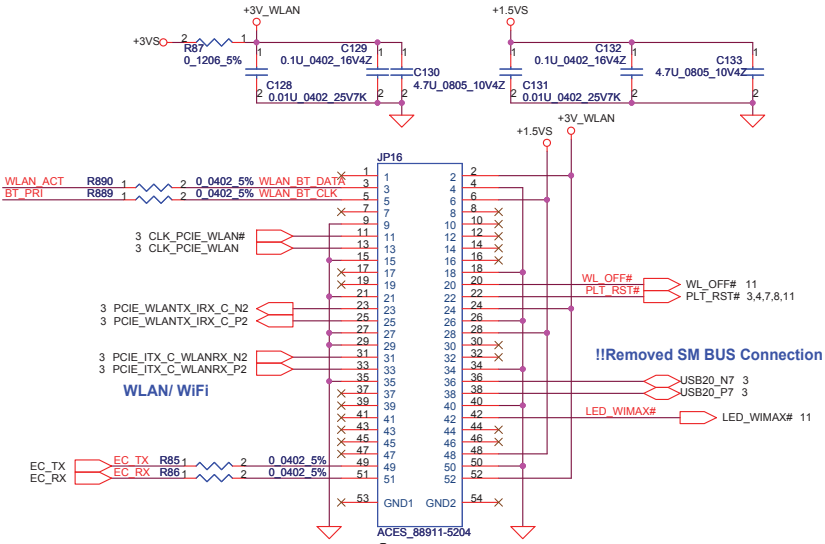
Security Classification	Compal Secret Data	
Issued Date	2008/05/30	Deciphered Date
		2011/05/30

THIS SHEET OF ENGINEERING DRAWING IS THE PROPRIETARY PROPERTY OF COMPAL ELECTRONICS, INC. AND CONTAINS CONFIDENTIAL AND TRADE SECRET INFORMATION. THIS SHEET MAY NOT BE TRANSFERRED FROM THE CUSTODY OF THE COMPETENT DIVISION OF R&D DEPARTMENT EXCEPT AS AUTHORIZED BY COMPAL ELECTRONICS, INC. NEITHER THIS SHEET NOR THE INFORMATION IT CONTAINS MAY BE USED BY OR DISCLOSED TO ANY THIRD PARTY WITHOUT PRIOR WRITTEN CONSENT OF COMPAL ELECTRONICS, INC.

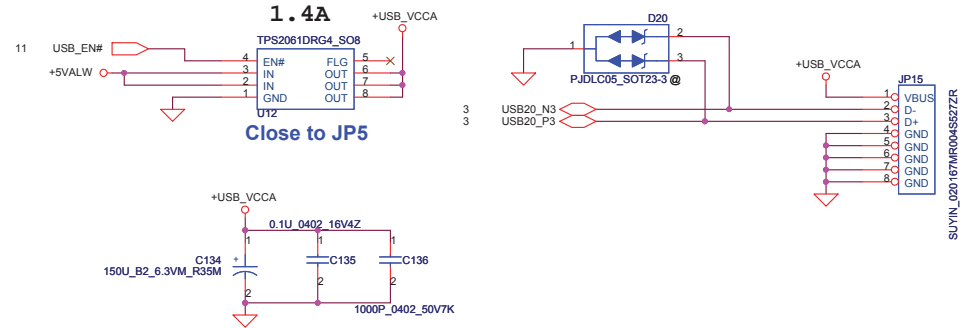
<b>Compal Electronics, Inc.</b> <b>VGA BYPASS</b>		
Title	Document Number	Rev
	<b>Yao-Ming(Menlow)</b>	1.0
Date:	Wednesday, August 20, 2008	Sheet 10 of 18



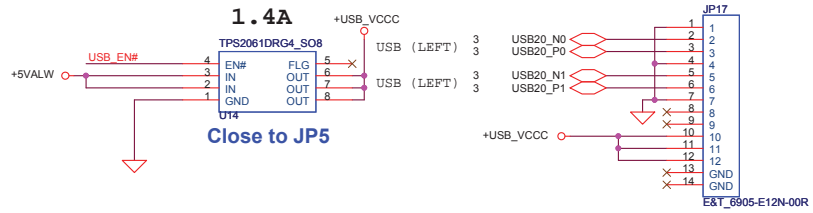
# PCIe Mini Card for WLAN/WiMax



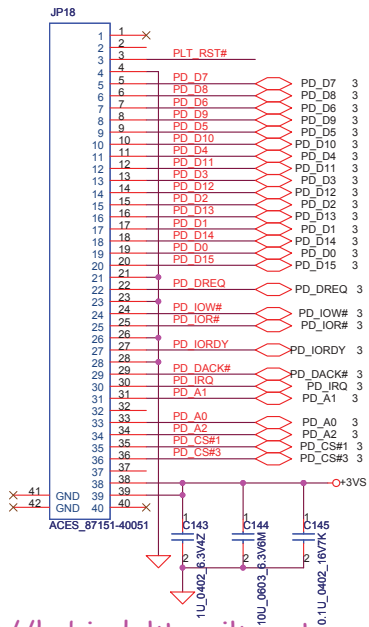
# On Board USB/B Connector



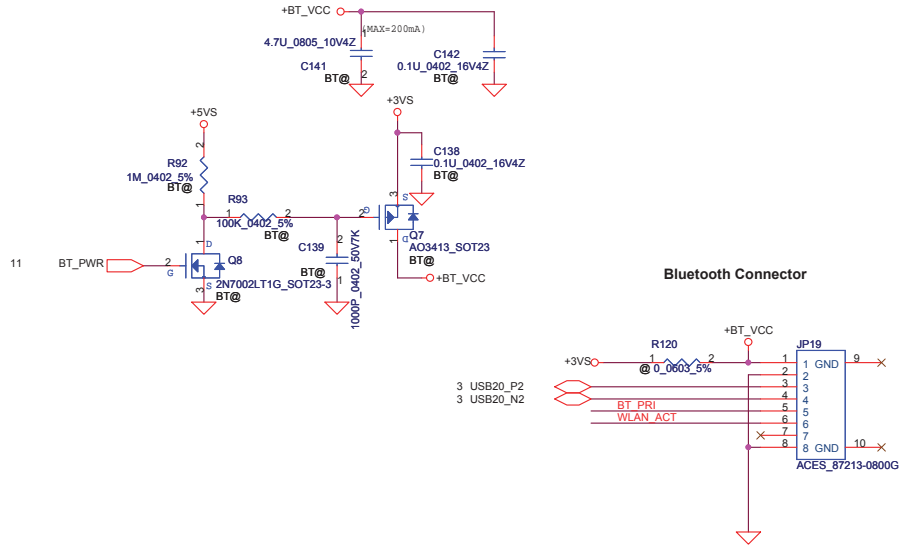
# To USB/B Connector



# PATA Connector

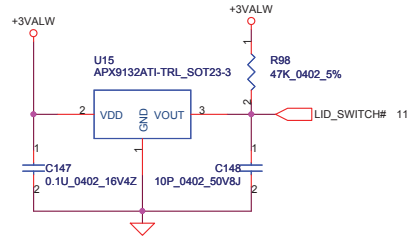


# BlueTooth Interface

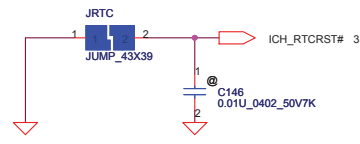


Security Classification	Compal Secret Data			<b>Compal Electronics, Inc.</b> <b>WLAN/BT/PATA/USB B</b>		
Issued Date	2008/05/30	Deciphered Date	2011/05/30			
<small>THIS SHEET OF ENGINEERING DRAWING IS THE PROPRIETARY PROPERTY OF COMPAL ELECTRONICS, INC. AND CONTAINS CONFIDENTIAL AND TRADE SECRET INFORMATION. THIS SHEET MAY NOT BE TRANSFERRED FROM THE CUSTODY OF THE COMPETENT DIVISION OF R&amp;D DEPARTMENT EXCEPT AS AUTHORIZED BY COMPAL ELECTRONICS, INC. NEITHER THIS SHEET NOR THE INFORMATION IT CONTAINS MAY BE USED BY OR DISCLOSED TO ANY THIRD PARTY WITHOUT PRIOR WRITTEN CONSENT OF COMPAL ELECTRONICS, INC.</small>				Title Size Custor Date:	Document Number <b>Yao-Ming(Menlow)</b> Wednesday, August 20, 2008	Rev 1.0 Sheet 12 of 18

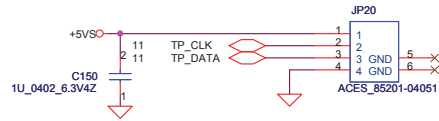
### Lid SW



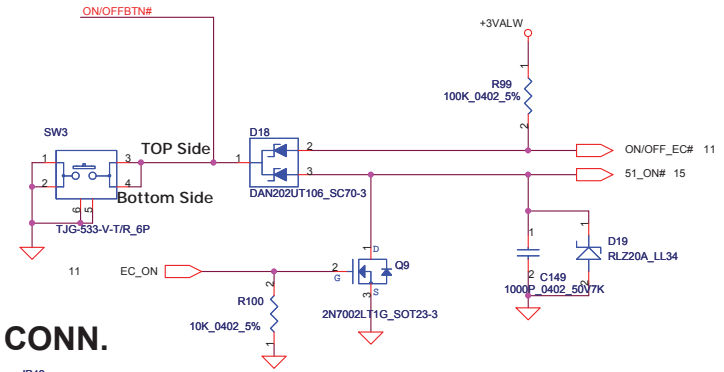
### RTC Reset SW (Place under door)



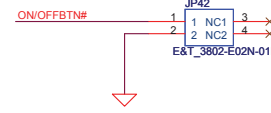
### Touch/B Connector



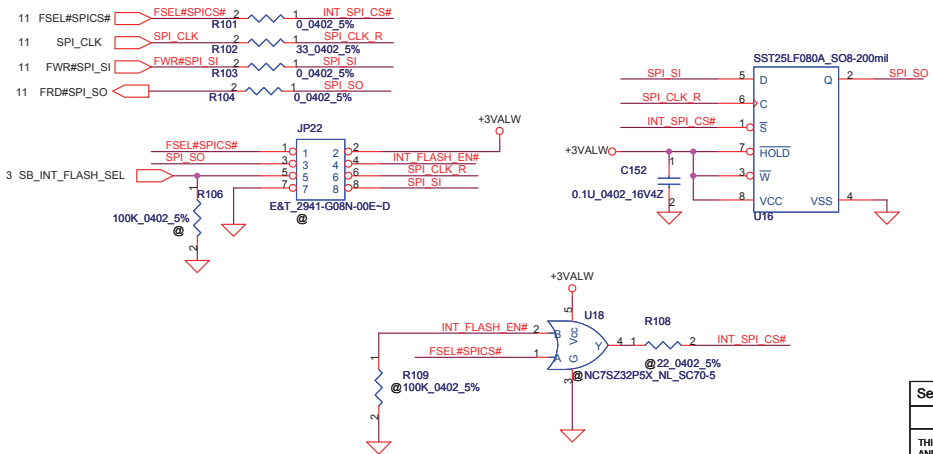
### MB\_Power On/Off SW



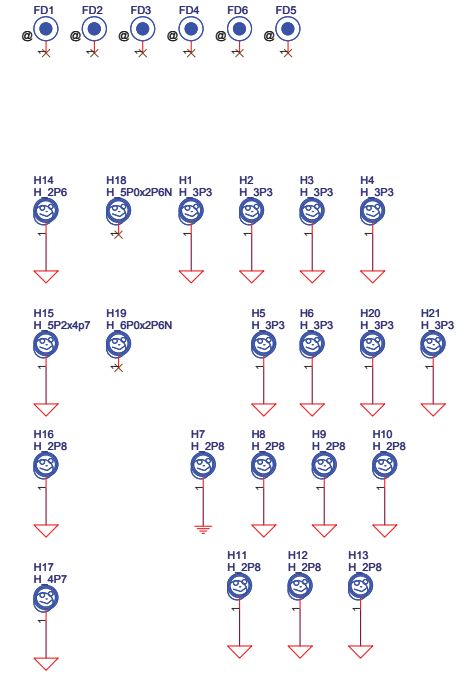
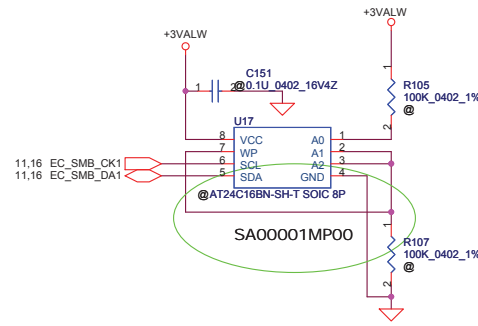
### POWER/B CONN.



### System SPI Flash ROM (8Mb)

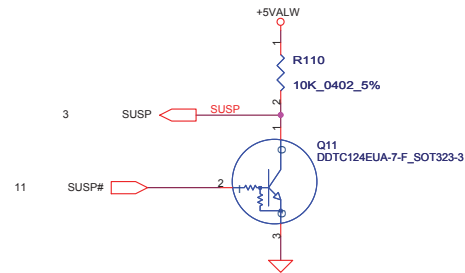
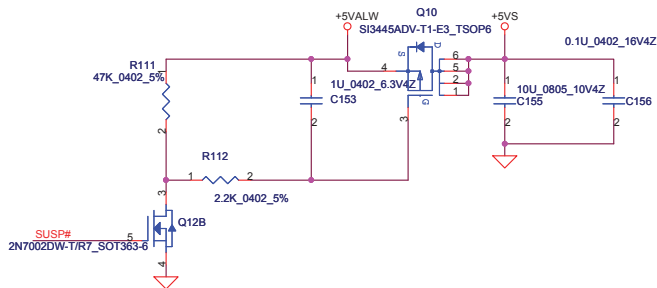


### EC EEPROM

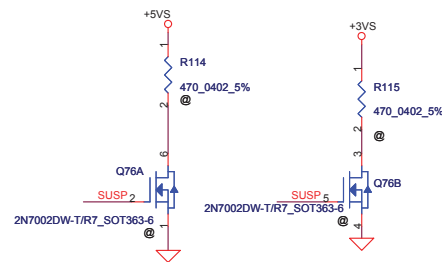
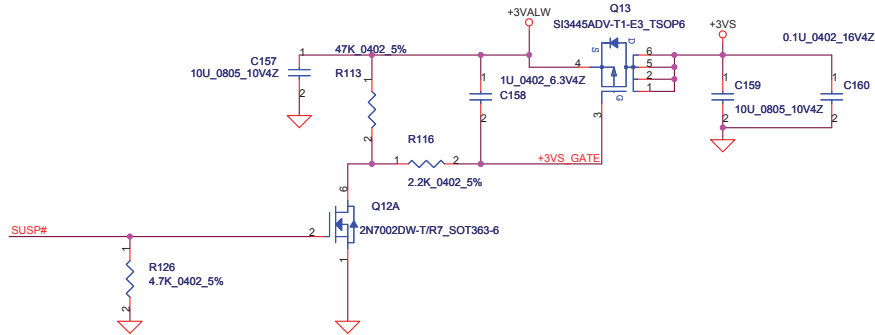


Security Classification		Compal Secret Data		Title	
Issued Date	2008/05/30	Deciphered Date	2011/05/30	Compal Electronics, Inc.	
THIS SHEET OF ENGINEERING DRAWING IS THE PROPRIETARY PROPERTY OF COMPAL ELECTRONICS, INC. AND CONTAINS CONFIDENTIAL AND TRADE SECRET INFORMATION. THIS SHEET MAY NOT BE TRANSFERRED FROM THE CUSTODY OF THE COMPETENT DIVISION OF R&D DEPARTMENT EXCEPT AS AUTHORIZED BY COMPAL ELECTRONICS, INC. NEITHER THIS SHEET NOR THE INFORMATION IT CONTAINS MAY BE USED BY OR DISCLOSED TO ANY THIRD PARTY WITHOUT PRIOR WRITTEN CONSENT OF COMPAL ELECTRONICS, INC.				SW/ROM/TP/LID	
Size	Document Number	Date:		Sheet	Rev
Custom	Yao-Ming(Menlow)	Wednesday, August 20, 2008		13	1.0
				of	18

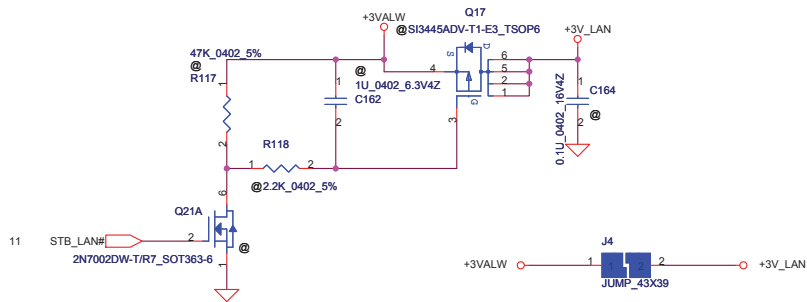
### +5VALW to +5VS Transfer



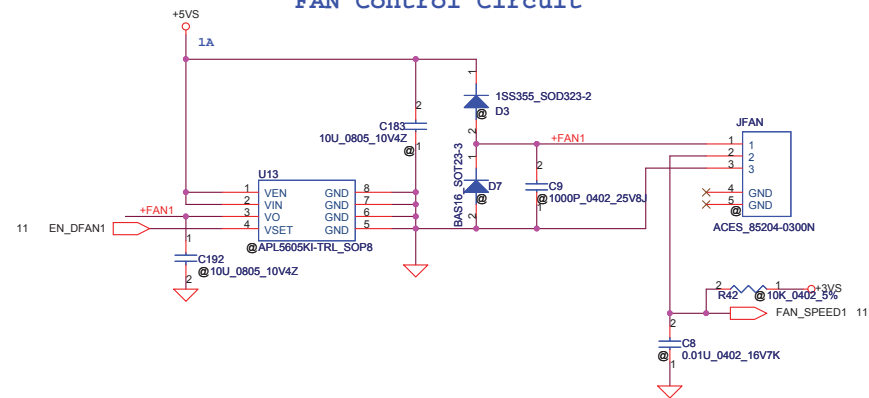
### +3VALW to +3VS Transfer



### +3VALW to +3V\_LAN



### FAN Control Circuit

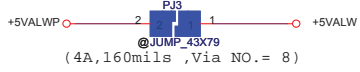
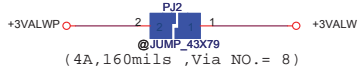
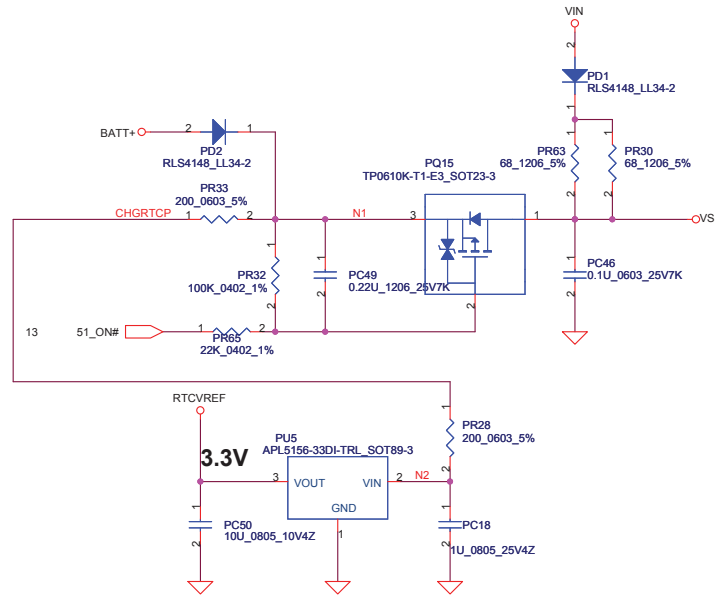
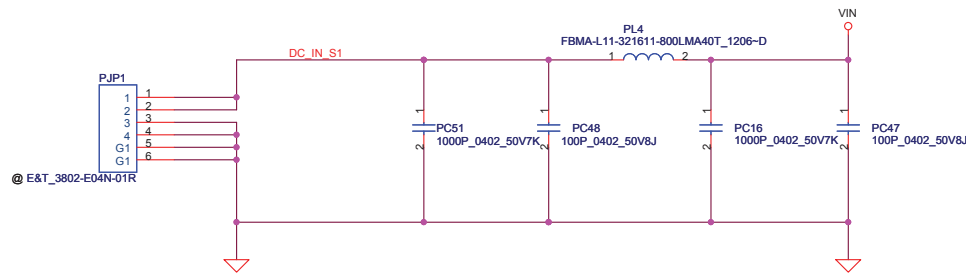


### PRODUCT SUMMARY

Vgs	rDS(on)	ID (A)
-8	0.042 @ VGS = .4.5 V	+ -5.6
	0.060 @ VGS = .2.5 V	+ -4.7
	0.080 @ VGS = .1.8 V	+ -2.9

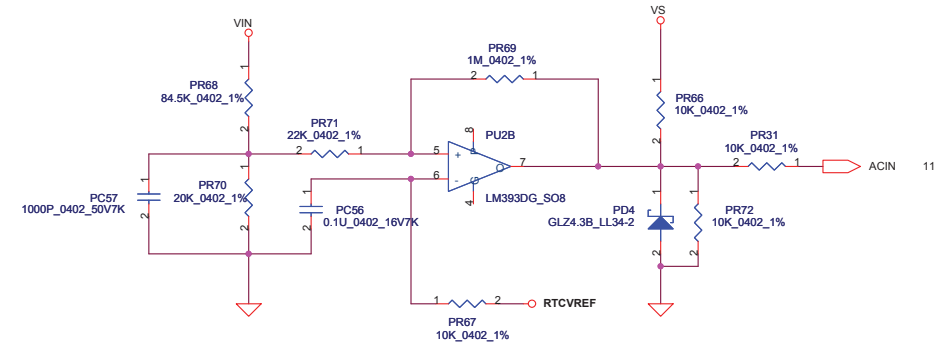
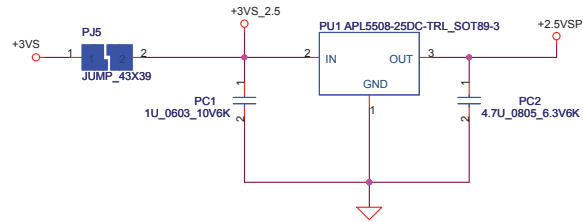
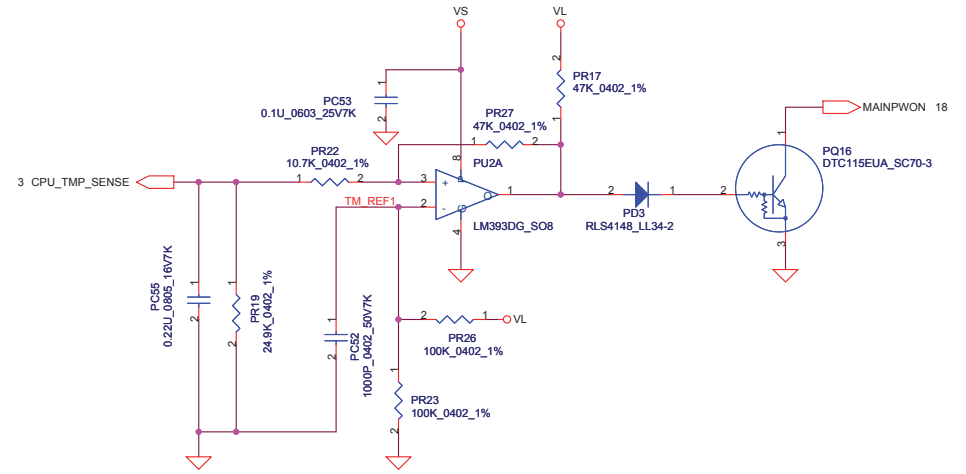
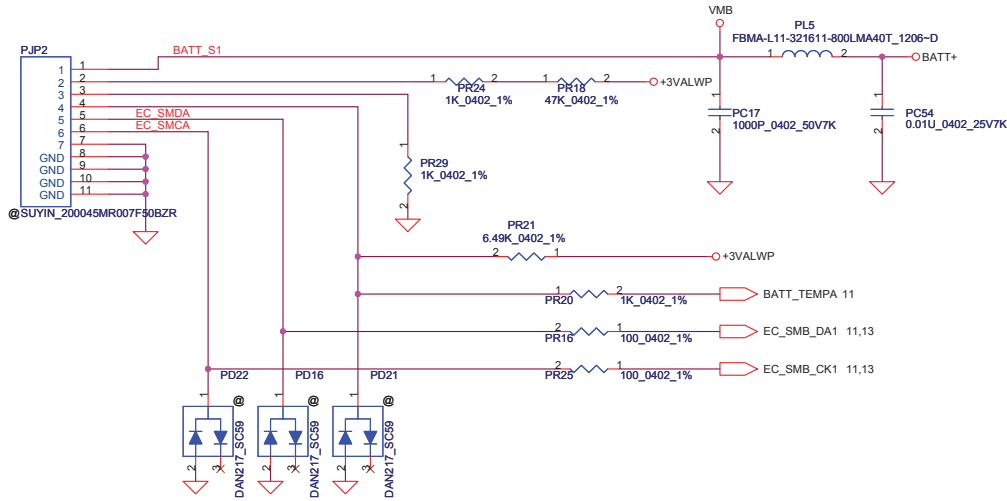
<http://hobi-elektronika.net>

Security Classification		Compal Secret Data		Title	
Issued Date	2008/05/30	Deciphered Date	2011/05/30	DC/DC Interface	
THIS SHEET OF ENGINEERING DRAWING IS THE PROPRIETARY PROPERTY OF COMPAL ELECTRONICS, INC. AND CONTAINS CONFIDENTIAL AND TRADE SECRET INFORMATION. THIS SHEET MAY NOT BE TRANSFERRED FROM THE CUSTODY OF THE COMPETENT DIVISION OF R&D DEPARTMENT EXCEPT AS AUTHORIZED BY COMPAL ELECTRONICS, INC. NEITHER THIS SHEET NOR THE INFORMATION IT CONTAINS MAY BE USED BY OR DISCLOSED TO ANY THIRD PARTY WITHOUT PRIOR WRITTEN CONSENT OF COMPAL ELECTRONICS, INC.				Size	Rev
				Customer	1.0
				Date:	Wednesday, August 20, 2008
				Sheet	14 of 18



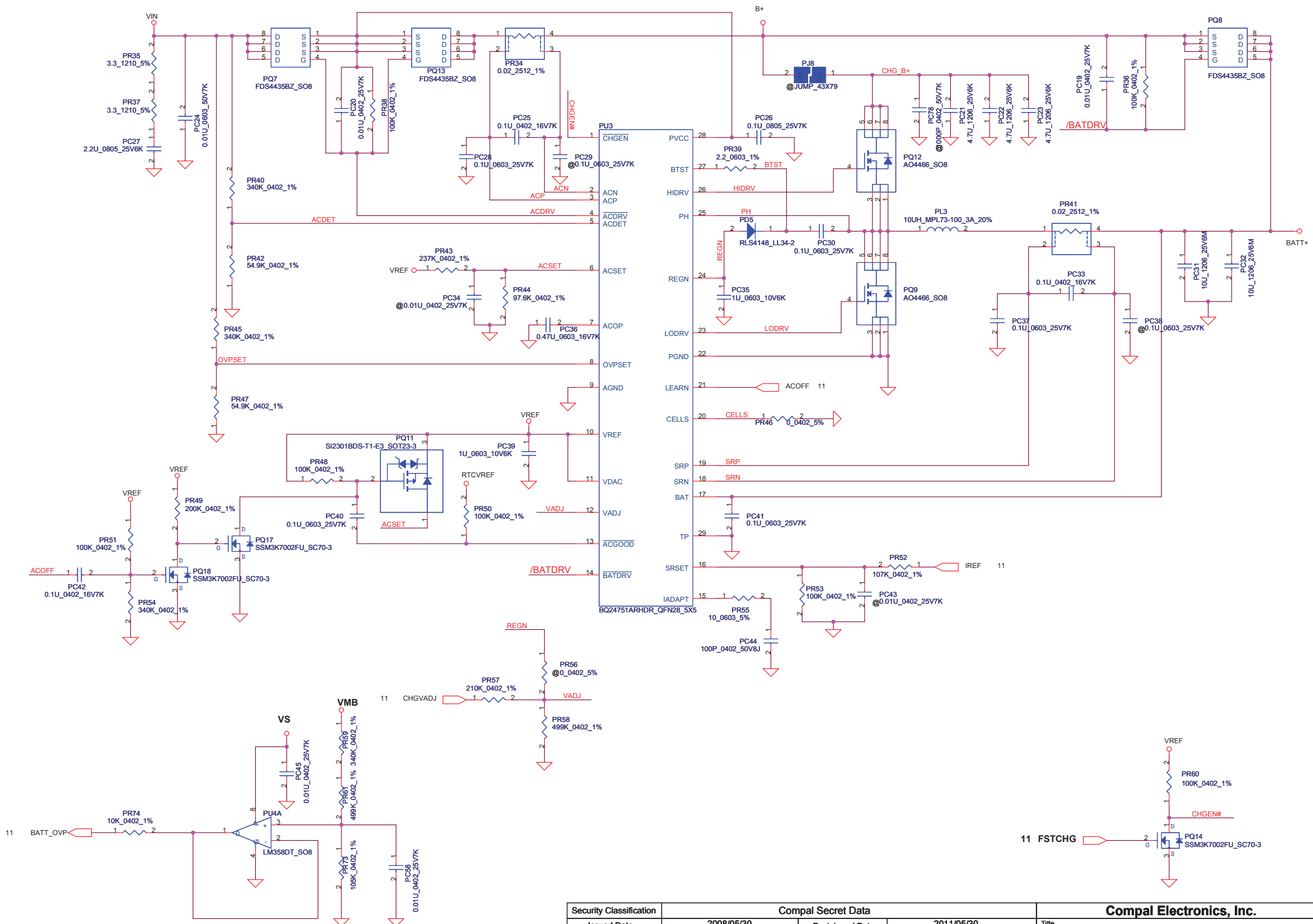
Security Classification	Compal Secret Data		Compal Electronics, Inc.	
Issued Date	2008/05/30	Deciphered Date	2011/05/30	Title
THIS SHEET OF ENGINEERING DRAWING IS THE PROPRIETARY PROPERTY OF COMPAL ELECTRONICS, INC. AND CONTAINS CONFIDENTIAL AND TRADE SECRET INFORMATION. THIS SHEET MAY NOT BE TRANSFERRED FROM THE CUSTODY OF THE COMPETENT DIVISION OF R&D DEPARTMENT EXCEPT AS AUTHORIZED BY COMPAL ELECTRONICS, INC. NEITHER THIS SHEET NOR THE INFORMATION IT CONTAINS MAY BE USED BY OR DISCLOSED TO ANY THIRD PARTY WITHOUT PRIOR WRITTEN CONSENT OF COMPAL ELECTRONICS, INC.				DCIN/DECTOR
Size	Document Number			Rev
Date: Wednesday, August 20, 2008	Sheet 15 of 18			1.0

PH1 under CPU botten side :  
 CPU thermal protection at 78 degree C  
 Recovery at 42 degree C



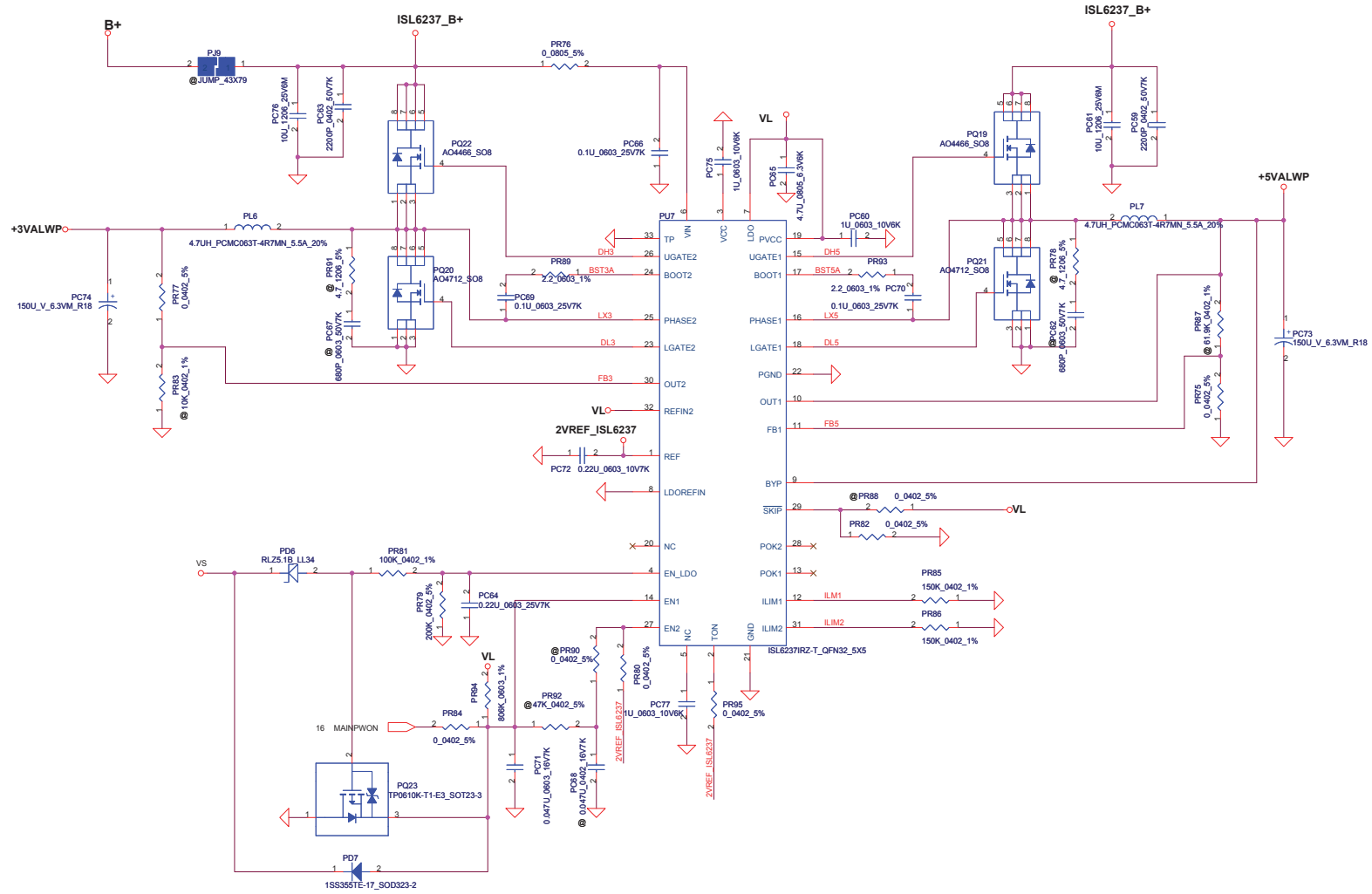
<b>Vin Detector</b>		
High	18.384	17.901 17.430
Low	17.728	17.257 16.976





<http://hobi-elektronika.net>

Security Classification		Compal Secret Data		Compal Electronics, Inc.	
Issued Date	2008/05/30	Deciphered Date	2011/05/30	Title	<b>CHARGER</b>
THIS SHEET OF ENGINEERING DRAWING IS THE PROPRIETARY PROPERTY OF COMPAL ELECTRONICS, INC. AND CONTAINS CONFIDENTIAL AND TRADE SECRET INFORMATION. THIS SHEET MAY NOT BE TRANSFERRED FROM THE CUSTODY OF THE COMPETENT DIVISION OF R&D DEPARTMENT EXCEPT AS AUTHORIZED BY COMPAL ELECTRONICS, INC. NEITHER THIS SHEET NOR THE INFORMATION IT CONTAINS MAY BE USED BY OR DISCLOSED TO ANY THIRD PARTY WITHOUT PRIOR WRITTEN CONSENT OF COMPAL ELECTRONICS, INC.					
Size	Document Number				Rev
Date:	Wednesday, August 20, 2008	Sheet	17	of	18



Security Classification		Compal Secret Data		Title	
Issued Date	2008/05/30	Deciphered Date	2011/05/30	+3VALWP/+5VALWP	
THIS SHEET OF ENGINEERING DRAWING IS THE PROPRIETARY PROPERTY OF COMPAL ELECTRONICS, INC. AND CONTAINS CONFIDENTIAL AND TRADE SECRET INFORMATION. THIS SHEET MAY NOT BE TRANSFERRED FROM THE CUSTODY OF THE COMPETENT DIVISION OF R&D DEPARTMENT EXCEPT AS AUTHORIZED BY COMPAL ELECTRONICS, INC. NEITHER THIS SHEET NOR THE INFORMATION IT CONTAINS MAY BE USED BY OR DISCLOSED TO ANY THIRD PARTY WITHOUT PRIOR WRITTEN CONSENT OF COMPAL ELECTRONICS, INC.					
Size	Document Number	Yao-Ming(Menlow)		Rev	1.0
Date:	Wednesday, August 20, 2008	Sheet	16	of	18