

PORTLAND 10/10G

MP BUILD

2006 0731

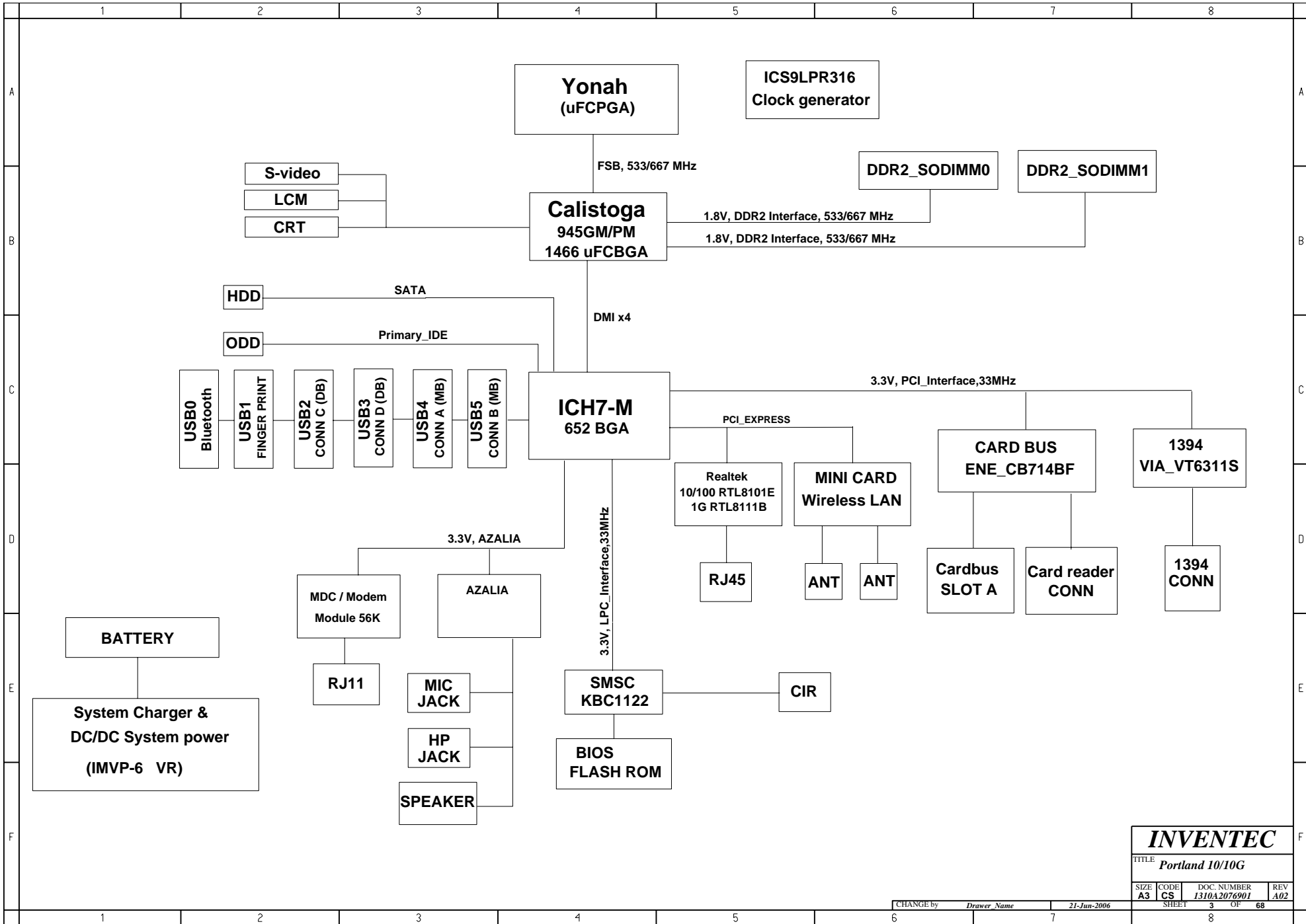
DATE	CHANGE NO.	REV

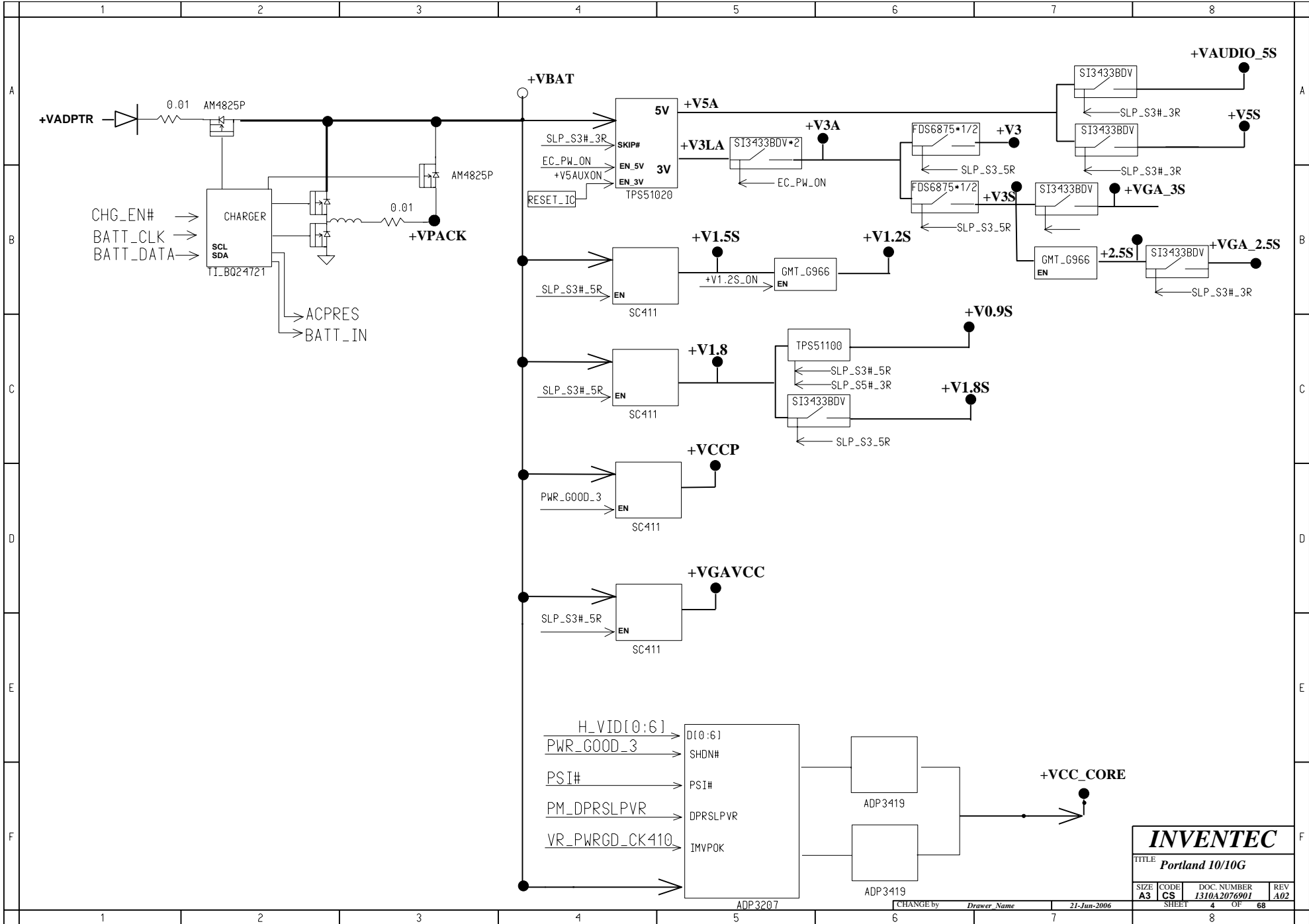
DRAWER	EE	DATE	POWER	DATE	INVENTEC TITLE <i>Portland 10/10G</i>
DESIGN					
CHECK					
RESPONSIBLE					
SIZE =	3	VER :			SIZE CODE DOC. NUMBER REV A3 CS 1310A2076901 A02
FILE NAME :	XXXX-XXXXXX-XX				
P/N	XXXXXXXXXXXX				SHEET 1 OF 68

TABLE OF CONTENTS

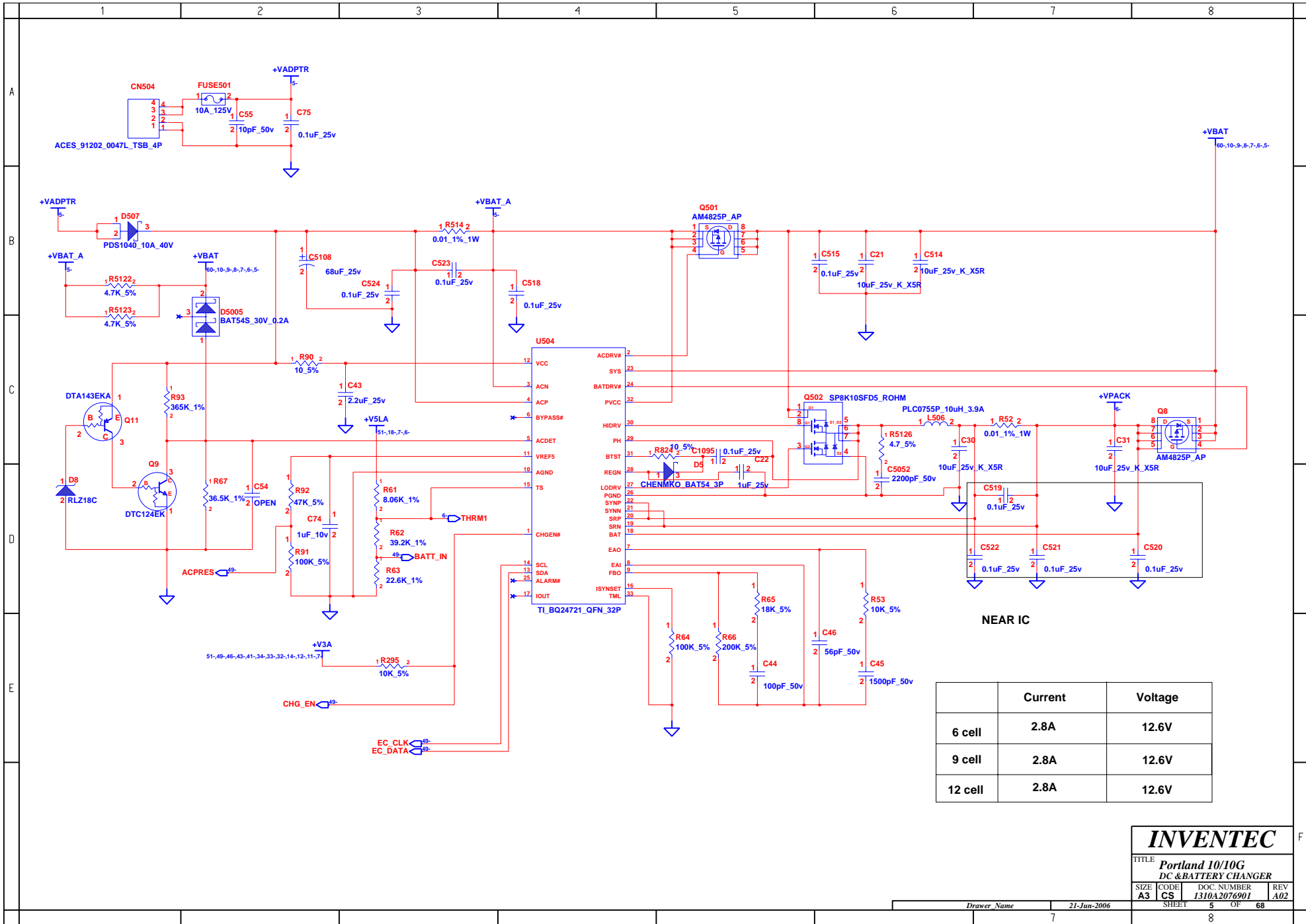
PAGE	PAGE	PAGE
1.COVER PAGE	32.S/B ICH7 2	56.SWITCH & LED (DB)
2.INDEX	33.S/B ICH7 3	57.PICK BUTTON BOARD
3.BLOCK DIAGRAM	34.S/B ICH7 4	58.USB BOARD
4.POWER SEQUENCE BLOCK	35.S/B ICH7 5	59.DRILL HOLE
5-12.SYSTEM POWER	36.CARDBUS CONTROLLER	60-61.VGA POWER
13.CLOCK GENERATOR	37.PCMCIA	62.ATI_M54P 1
14.CPU Yonah1	38.5 IN 1 CARD SLOT	63.ATI_M54P 2
15.CPU Yonah2	39.1394 CONTROLLER	64.ATI_M54P 3
16.CPU Yonah3	40.LAN CONTROLLER	65.ATI_M54P 4
17.CPU Yonah4	41. TRANSFORMER	66.VIDEO RAM 1
18.FAN & THERMAL CONTROLLER	42. RJ45	67.VIDEO RAM 2
19.N/B Calistoga 1	43.MINI CARD CONN	68.VIDEO RAM DAMPING
20.N/B Calistoga 2	44. SATA HDD CONN	
21.N/B Calistoga 3	45.ODD CONN	
22.N/B Calistoga 4	46.USB CONN	
23.N/B Calistoga 5	47.BLUE TOOTH CONN	
24.N/B Calistoga 6	48.TPM 1.2	
25.DDR2 DIMM0	49.SUPER I/O	
26.DDR2 DIMM1	50.K/B & D/B CONN	
27.DDR DAMPING	51.CIR	
28.CRT CONN	52.AZALIA CODEC	
29.SVIDEO CONN	53.AUDIO AMP & MIC & HP	
30.LCD CONN	54.MDC 1.5 CONN	
31.S/B ICH7 1	55.SWITCH & LED (MB)	

INVENTEC			
TITLE <i>Portland 10/10G</i>			
SIZE A3	CODE CS	DOC. NUMBER <i>1310A2076901</i>	REV A02
CHANGE by <i>Drawer Name</i>		21-Jun-2006	
SHEET		2 OF 68	





INVENTEC			
TITLE Portland 10/10G			
SIZE A3	CODE CS	DOC. NUMBER 1310A2076901	REV A02
CHANGE by <i>Drawer Name</i>		21-Jun-2006	SHEET 4 OF 68



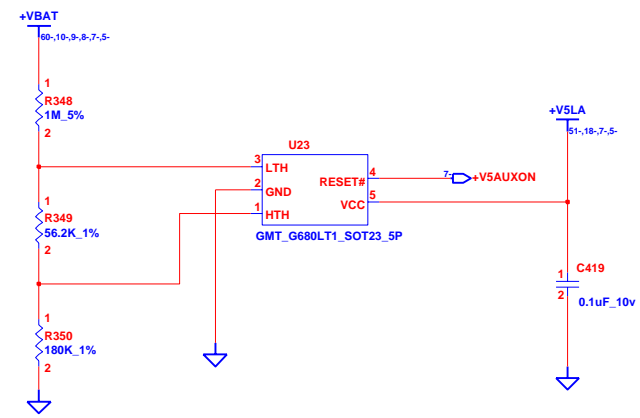
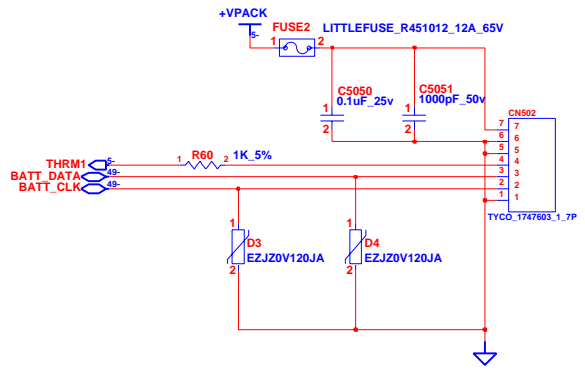
	Current	Voltage
6 cell	2.8A	12.6V
9 cell	2.8A	12.6V
12 cell	2.8A	12.6V

INVENTEC

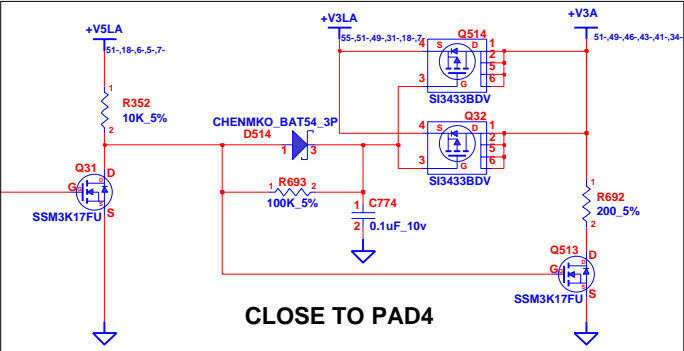
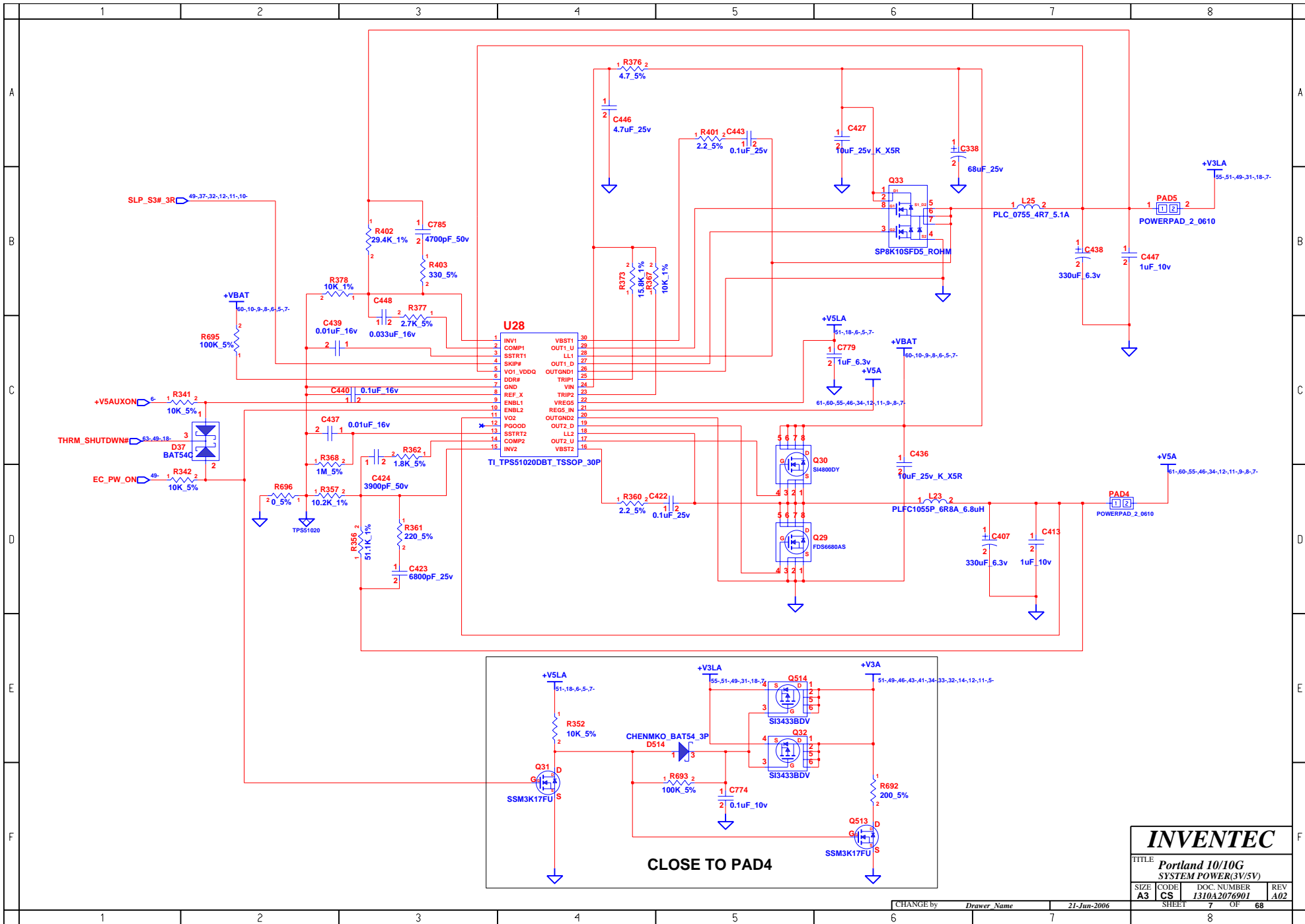
TITLE: **Portland 10/10G DC & BATTERY CHANGER**

SIZE	CODE	DOC. NUMBER	REV
A3	CS	1310A2076901	A02

Drawer Name: 21-Jun-2006 SHEET 5 OF 68



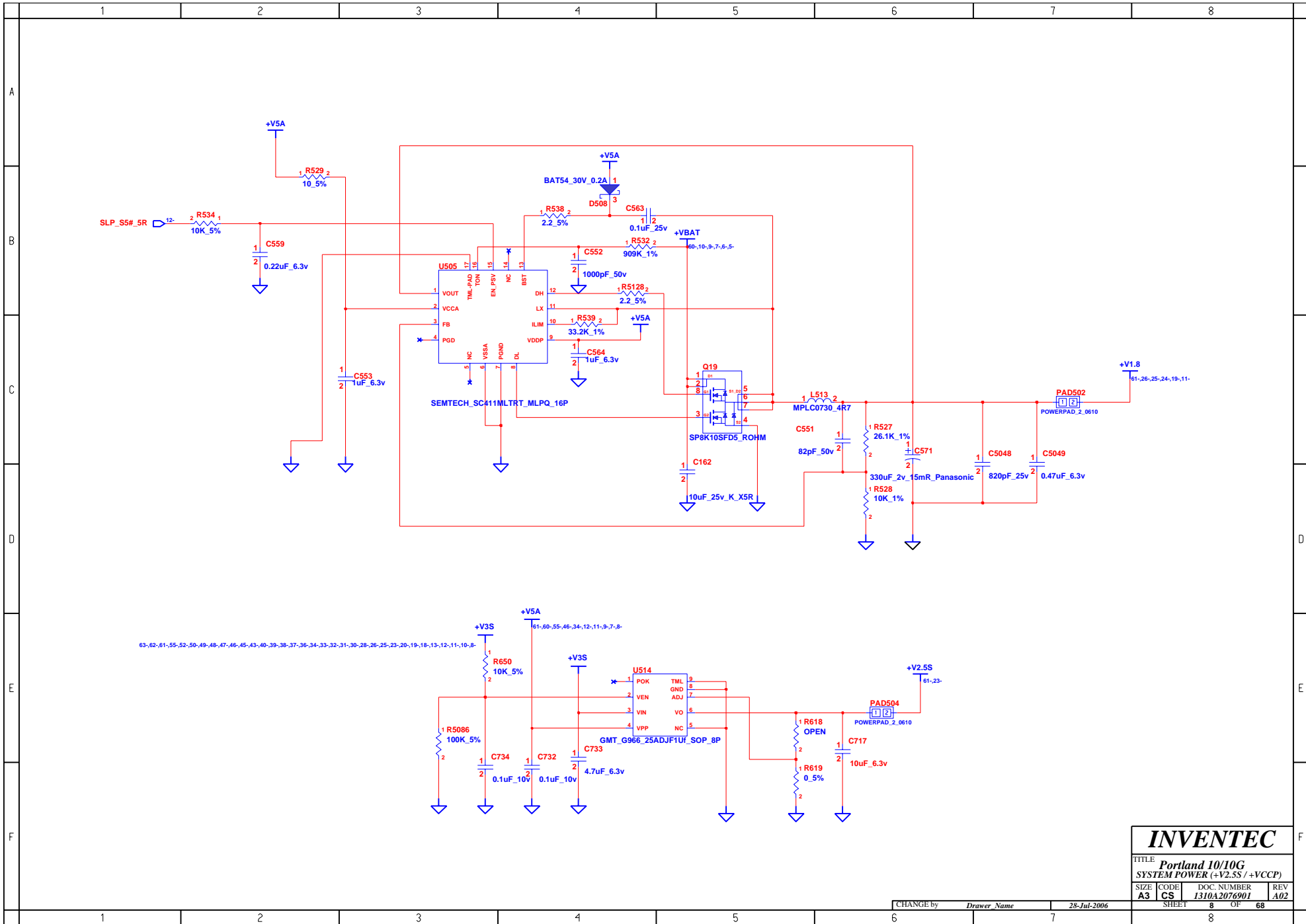
INVENTEC			
TITLE Portland 10/10G BATTERY CONN			
SIZE A3	CODE CS	DOC. NUMBER 1310A2076901	REV A02
CHANGE by <i>Drawer Name</i>		21-Jun-2006	SHEET 6 OF 68



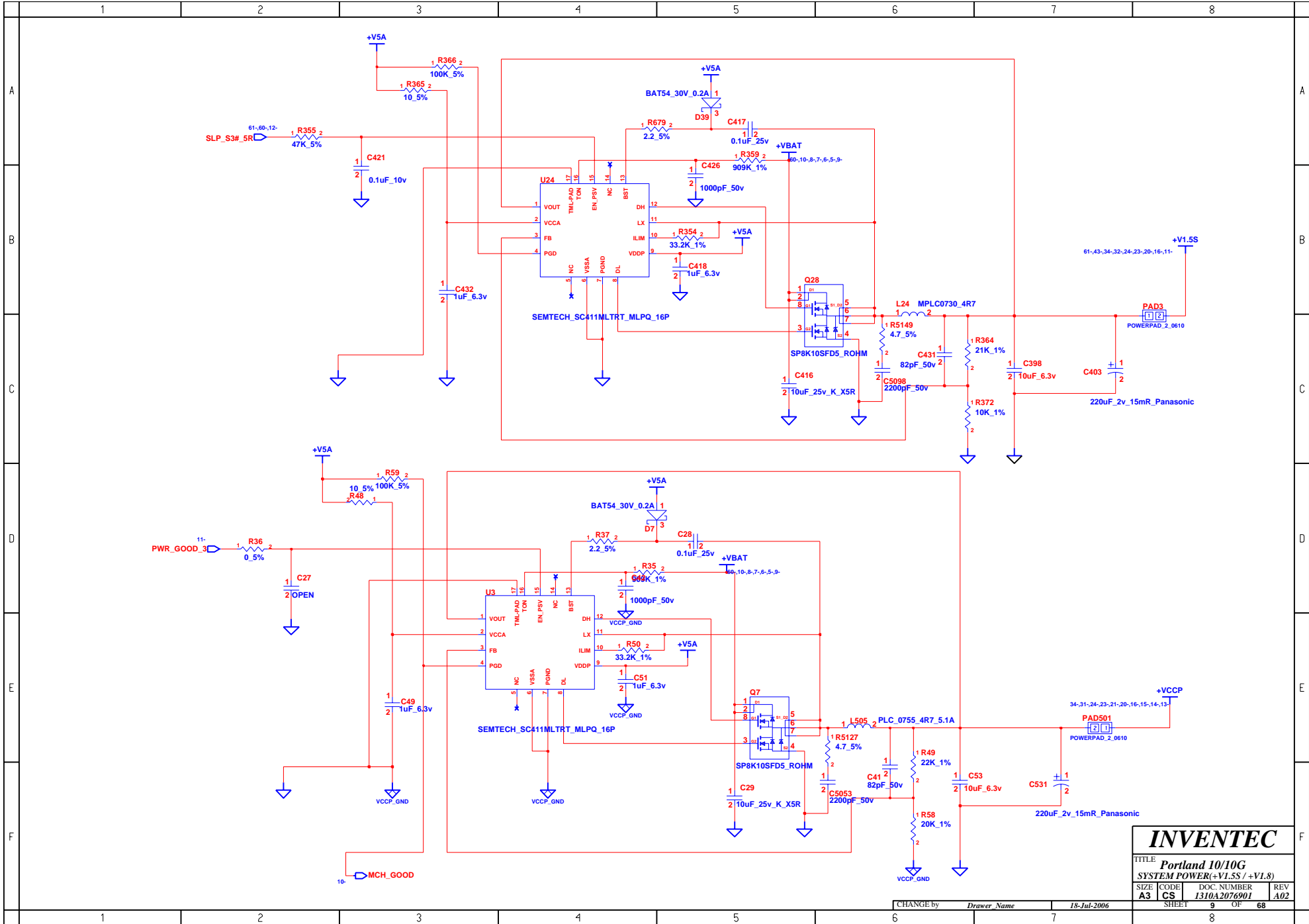
INVENTEC

TITLE
**Portland 10/10G
 SYSTEM POWER(3V/5V)**

SIZE A3	CODE CS	DOC NUMBER 1310A2076901	REV A02
-------------------	-------------------	-----------------------------------	-------------------



INVENTEC			
TITLE Portland 10/10G			
SYSTEM POWER (+V2.5S / +VCCP)			
SIZE	CODE	DOC. NUMBER	REV
A3	CS	1310A2076901	A02



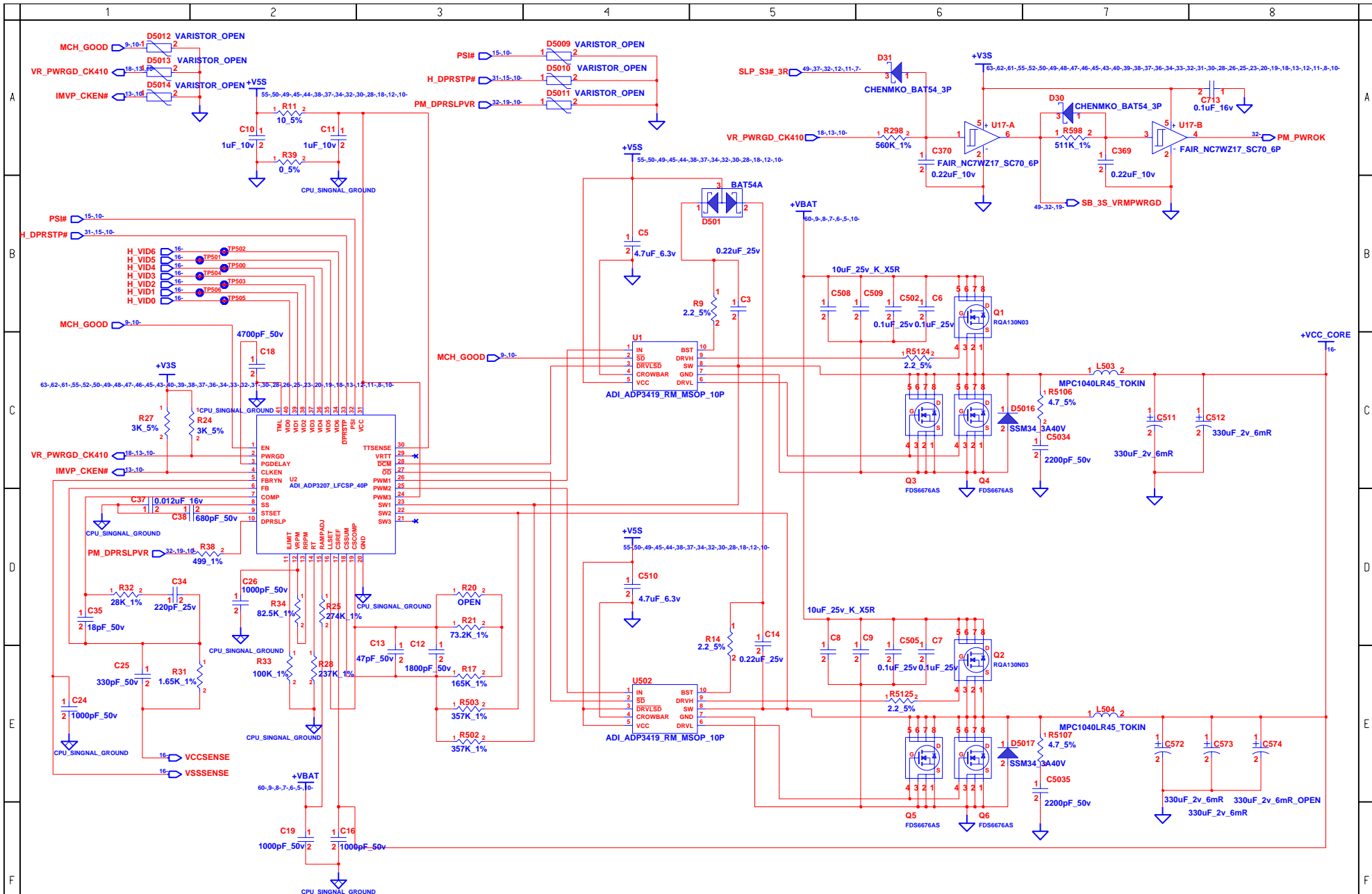
INVENTEC

TITLE
Portland 10/10G
 SYSTEM POWER(+V1.5S / +V1.8)

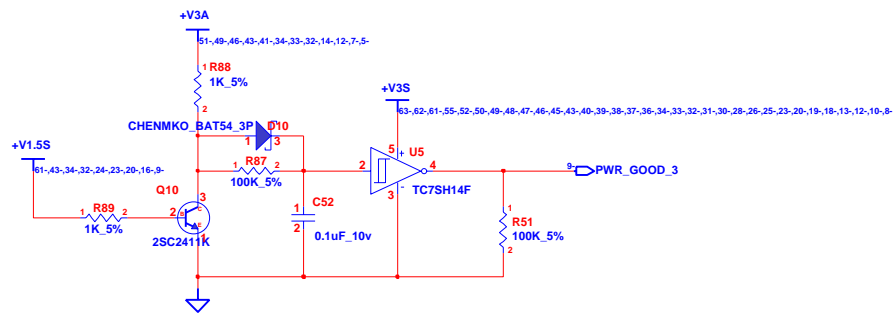
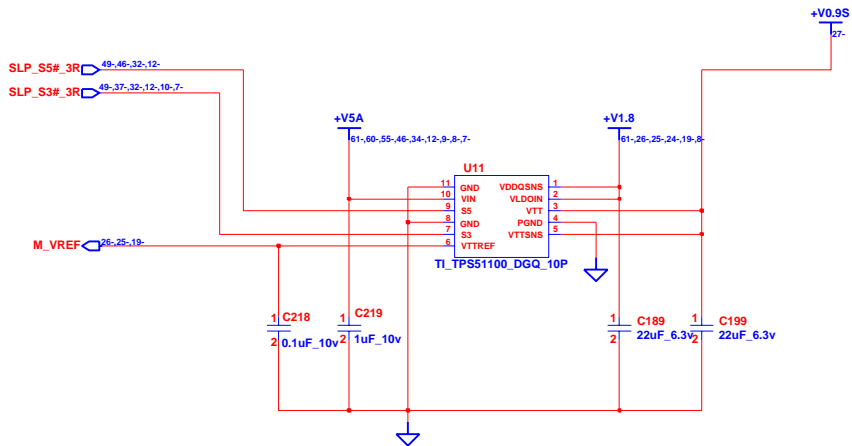
SIZE	CODE	DOC. NUMBER	REV
A3	CS	1310A2076901	A02

CHANGE by *Drawer Name* 18-Jul-2006

SHEET 9 OF 68



TITLE			
Portland 10/10G			
CPU POWER(VCC_CORE)			
SIZE	CODE	DOC. NUMBER	REV
A3	CS	1310A2076901	A02

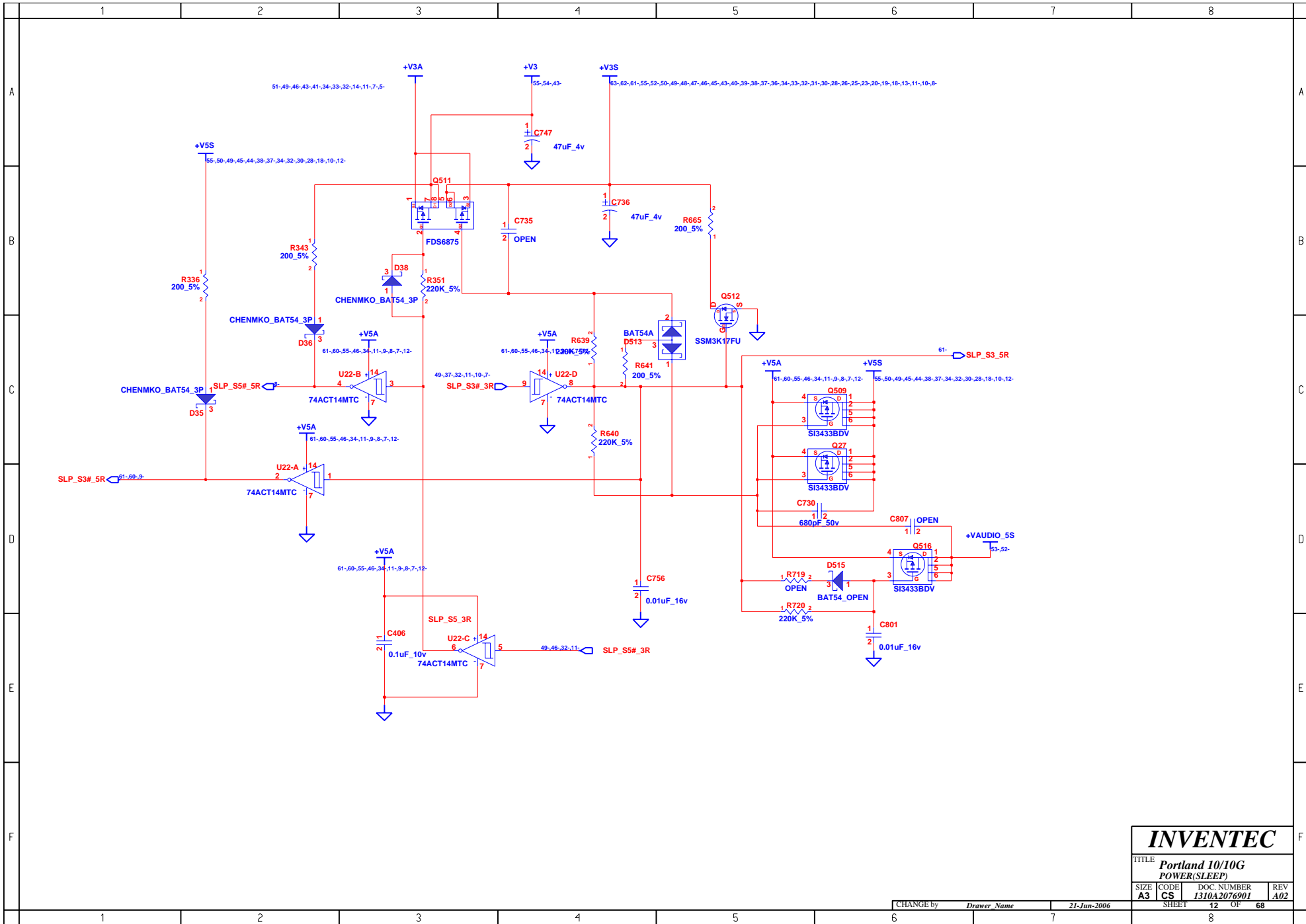


INVENTEC

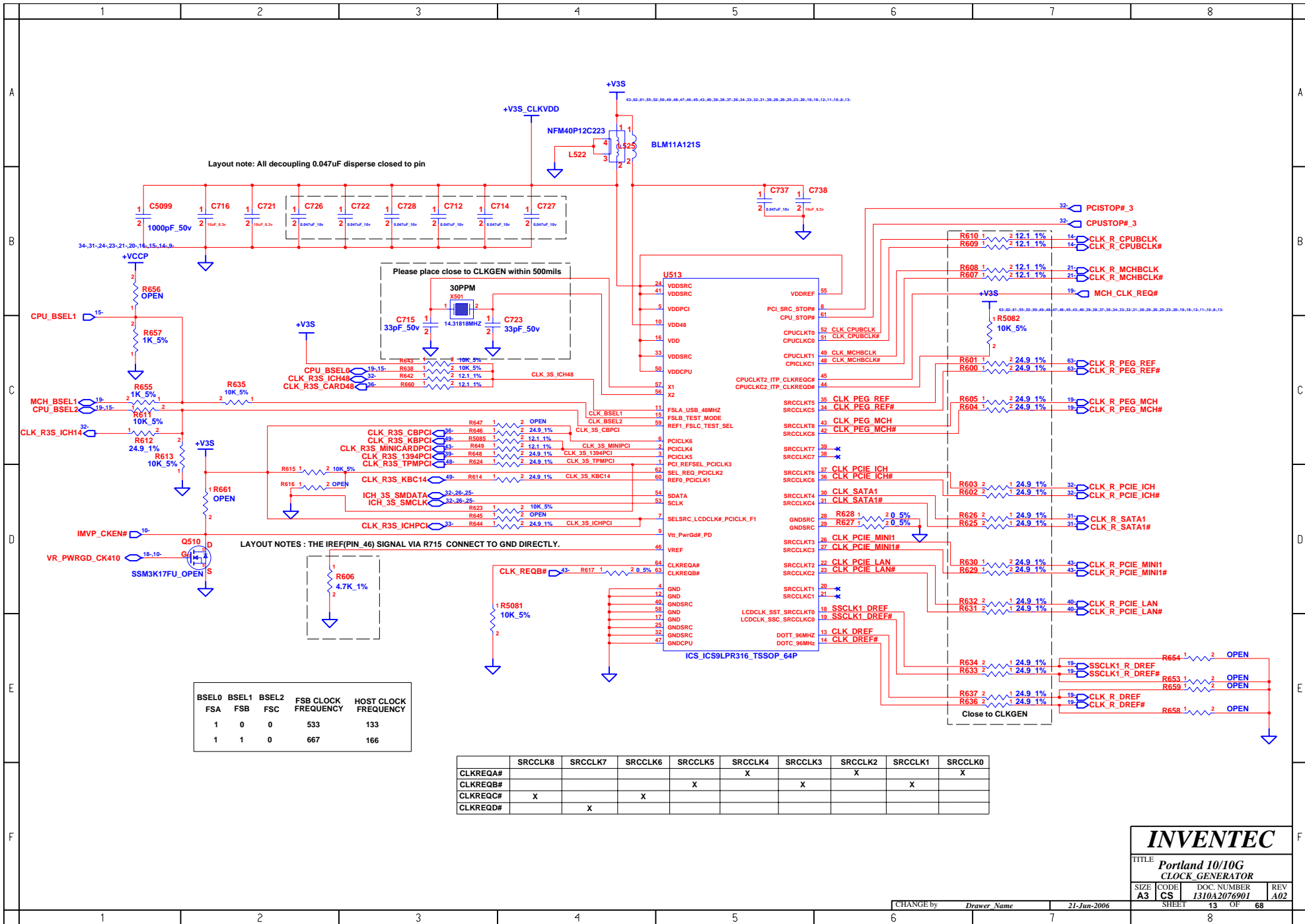
TITLE			
Portland 10/10G			
+V0.9S / POWER GOOD			
SIZE	CODE	DOC. NUMBER	REV
A3	CS	1310A2076901	A02

CHANGE by *Drawer Name* 21-Jun-2006

SHEET 11 OF 68



INVENTEC			
TITLE Portland 10/10G POWER(SLEEP)			
SIZE A3	CODE CS	DOC. NUMBER I310A2076901	REV A02
CHANGE by <i>Drawer Name</i>		21-Jun-2006	SHEET 12 OF 68



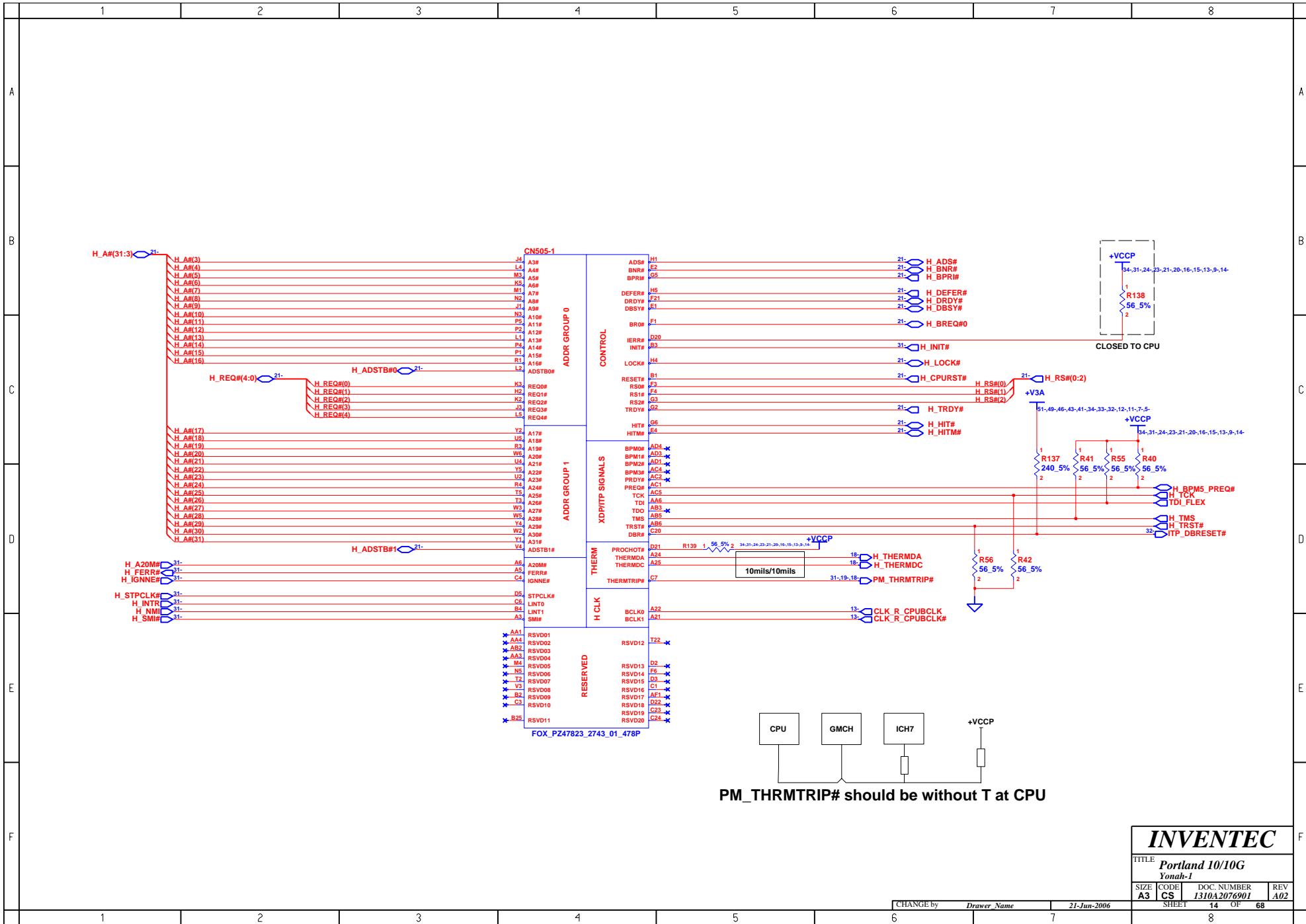
INVENTEC

TITLE
Portland 10/10G
CLOCK GENERATOR

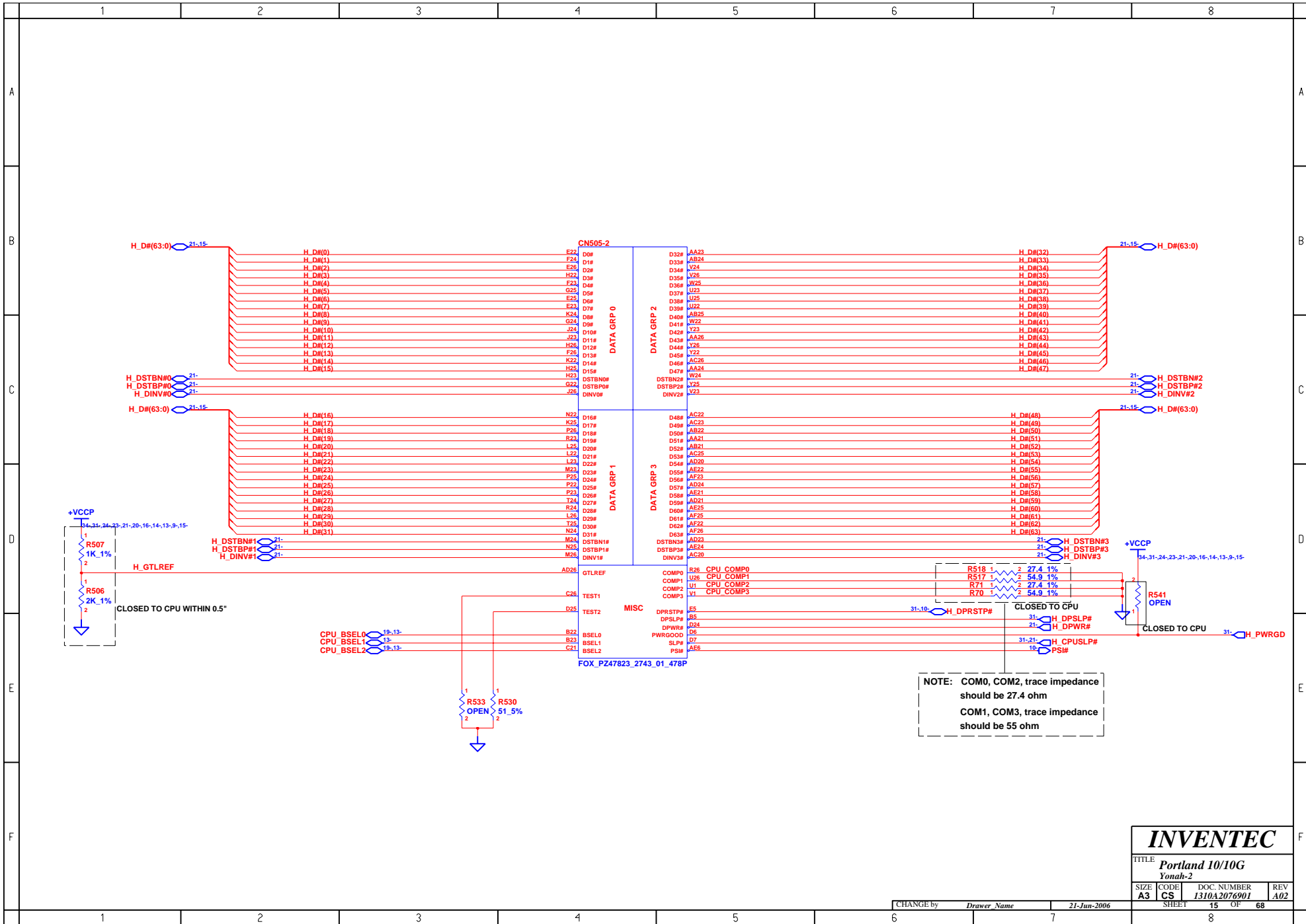
SIZE	CODE	DOC. NUMBER	REV
A3	CS	1310A2076901	A02

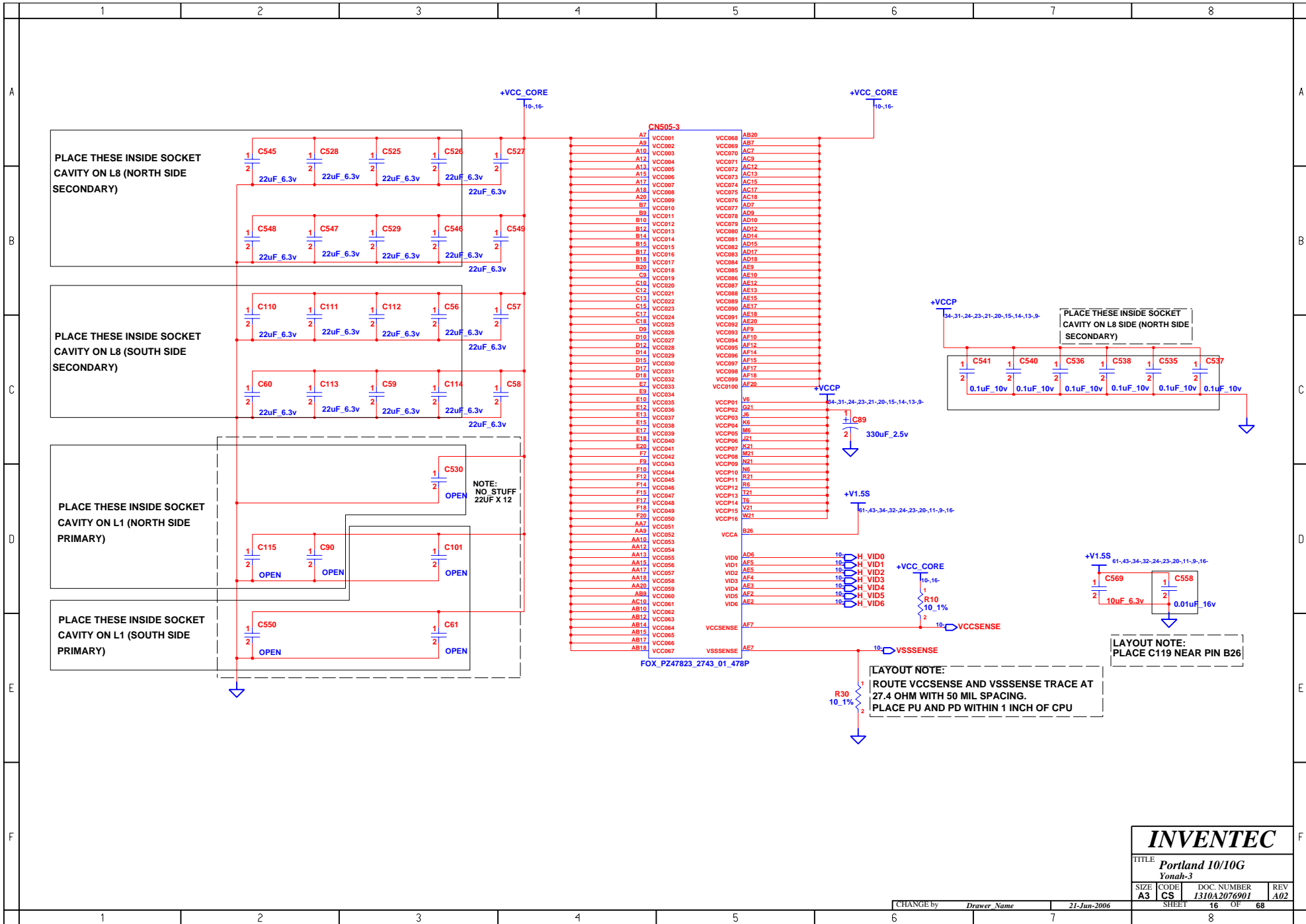
CHANGE by *Drawer Name* 21-Jun-2006

SHEET 13 OF 68



INVENTEC			
TITLE <i>Portland 10/10G</i>			
Yonah-I			
SIZE	CODE	DOC. NUMBER	REV
A3	CS	1310A2076901	A02
CHANGE by <i>Drawer Name</i>			21-Jun-2006
SHEET 14 OF 68			





INVENTEC			
TITLE: Portland 10/10G Yonah-3			
SIZE: A3	CODE: CS	DOC. NUMBER: 1310A2076901	REV: A02
CHANGE by: <i>Drawer Name</i>		21-Jun-2006	SHEET 16 OF 68

	1	2	3	4	5	6	7	8
A								
B								
C								
D								
E								
F								

CN505-4

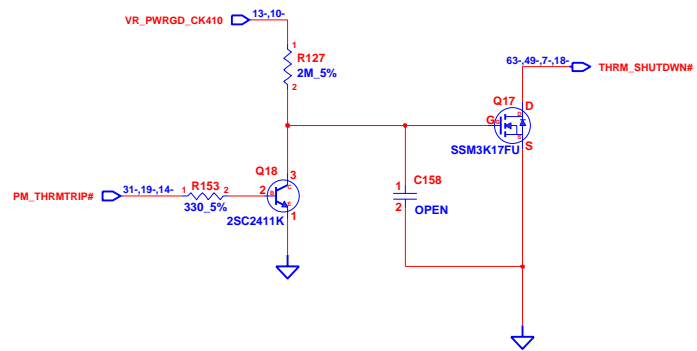
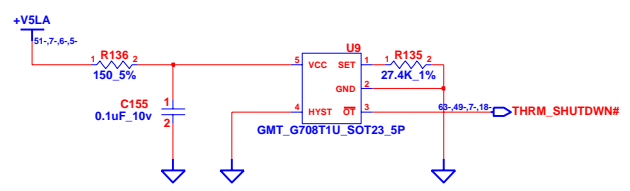
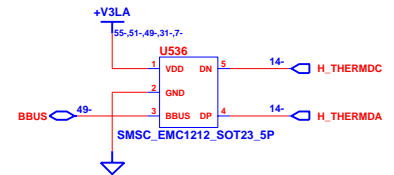
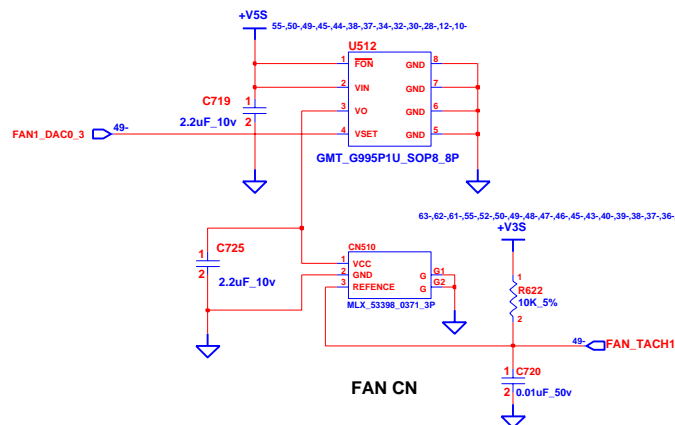
A4	VSS001	VSS082	P8
A5	VSS002	VSS083	P21
A11	VSS003	VSS084	P24
A14	VSS004	VSS085	R2
A15	VSS005	VSS086	R5
A16	VSS006	VSS087	R22
A23	VSS007	VSS088	R25
A26	VSS008	VSS089	T1
B6	VSS009	VSS090	T4
B8	VSS010	VSS091	T23
B11	VSS011	VSS092	T26
B14	VSS012	VSS093	U3
B16	VSS013	VSS094	U6
B19	VSS014	VSS095	U21
B21	VSS015	VSS096	U24
B24	VSS016	VSS097	V2
C3	VSS017	VSS098	V5
C6	VSS018	VSS099	V22
C11	VSS019	VSS100	V25
C14	VSS020	VSS101	W1
C16	VSS021	VSS102	W4
C19	VSS022	VSS103	W23
C2	VSS023	VSS104	W26
C24	VSS024	VSS105	Y3
C25	VSS025	VSS106	Y6
D1	VSS026	VSS107	Y21
D4	VSS027	VSS108	Y24
D6	VSS028	VSS029	AA2
D11	VSS029	VSS030	AA5
D13	VSS030	VSS031	AA8
D16	VSS031	VSS032	AA11
D19	VSS032	VSS033	AA14
D23	VSS033	VSS034	AA15
D26	VSS034	VSS035	AA19
E3	VSS035	VSS036	AA22
E6	VSS036	VSS037	AA25
E11	VSS037	VSS038	AB1
E14	VSS038	VSS039	AB4
E16	VSS039	VSS040	AB8
E19	VSS040	VSS041	AB11
E21	VSS041	VSS042	AB13
E24	VSS042	VSS043	AB16
F3	VSS043	VSS044	AB19
F6	VSS044	VSS045	AB23
F8	VSS045	VSS046	AB26
F11	VSS046	VSS047	AC3
F16	VSS047	VSS048	AC6
F19	VSS048	VSS049	AC8
F2	VSS049	VSS050	AC11
F23	VSS050	VSS051	AC14
F25	VSS051	VSS052	AC16
G4	VSS052	VSS053	AC19
G1	VSS053	VSS054	AC21
G23	VSS054	VSS055	AC24
G26	VSS055	VSS056	AD2
H3	VSS056	VSS057	AD5
H6	VSS057	VSS058	AD8
H21	VSS058	VSS059	AD11
H24	VSS059	VSS060	AD16
J2	VSS060	VSS061	AD19
J5	VSS061	VSS062	AD22
J23	VSS062	VSS063	AD25
J25	VSS063	VSS064	AE1
K1	VSS064	VSS065	AE4
K4	VSS065	VSS066	AE8
K23	VSS066	VSS067	AE11
K26	VSS067	VSS068	AE14
L3	VSS068	VSS069	AE16
L6	VSS069	VSS070	AE19
L21	VSS070	VSS071	AE23
L24	VSS071	VSS072	AE26
M2	VSS072	VSS073	AF3
M6	VSS073	VSS074	AF6
M23	VSS074	VSS075	AF8
M25	VSS075	VSS076	AF11
N1	VSS076	VSS077	AF13
N6	VSS077	VSS078	AF16
N23	VSS078	VSS079	AF19
N26	VSS079	VSS080	AF21
P3	VSS080	VSS081	AF24

FOX_PZ47823_2743_01_478P



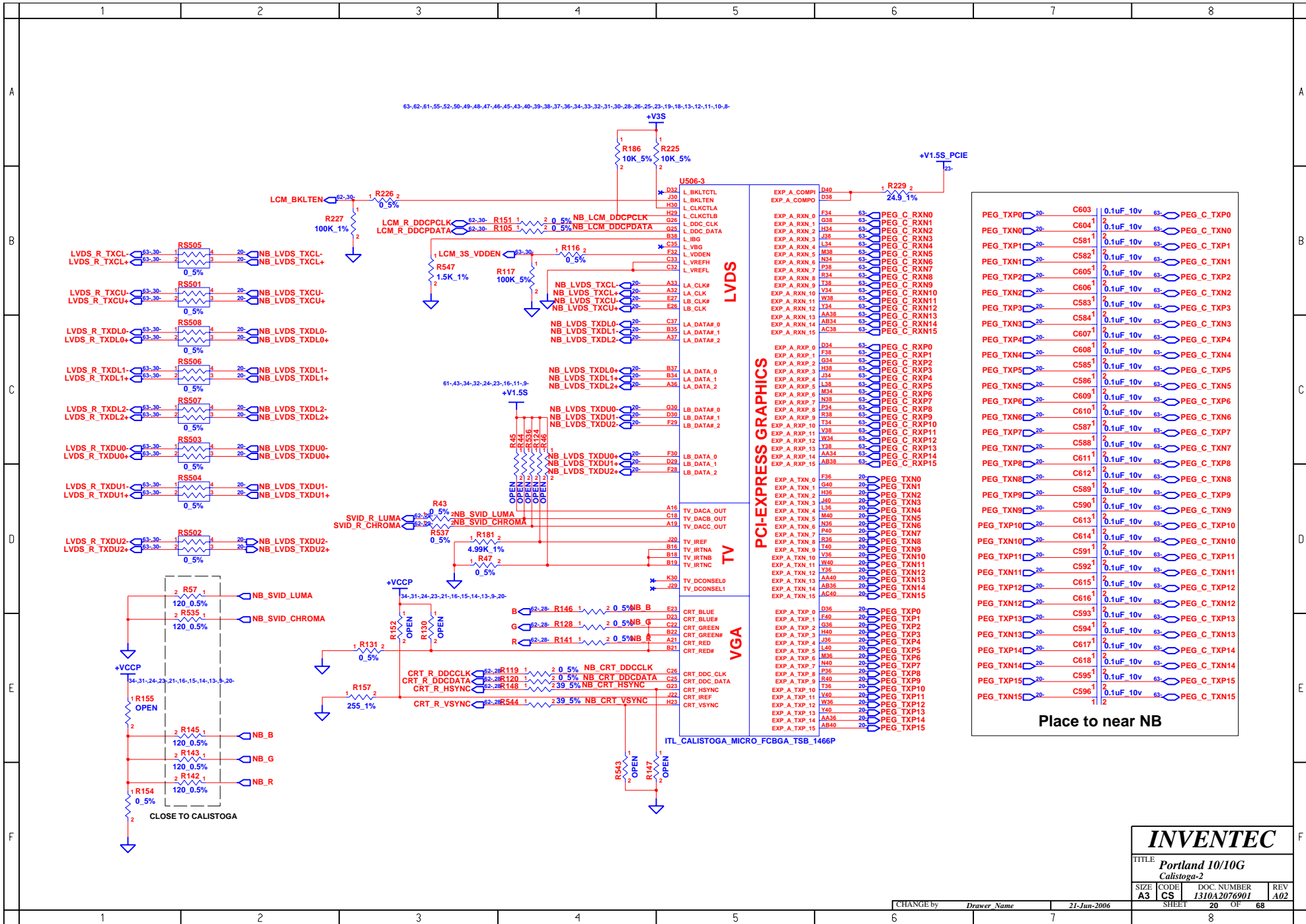
INVENTEC			
TITLE <i>Portland 10/10G</i>			
Yonah-4			
SIZE	CODE	DOC. NUMBER	REV
A3	CS	1310A2076901	A02
CHANGE by		Drawer Name	21-Jun-2006
SHEET		17	OF 68

	1	2	3	4	5	6	7	8
--	---	---	---	---	---	---	---	---



Thermal Sensor For CPU

INVENTEC			
TITLE Portland 10/10G			
THERMAL&FAN CONTROLLER			
SIZE A3	CODE CS	DOC. NUMBER 1310A2076901	REV A02
CHANGE by <i>Drawer Name</i>		21-Jun-2006	SHEET 18 OF 68



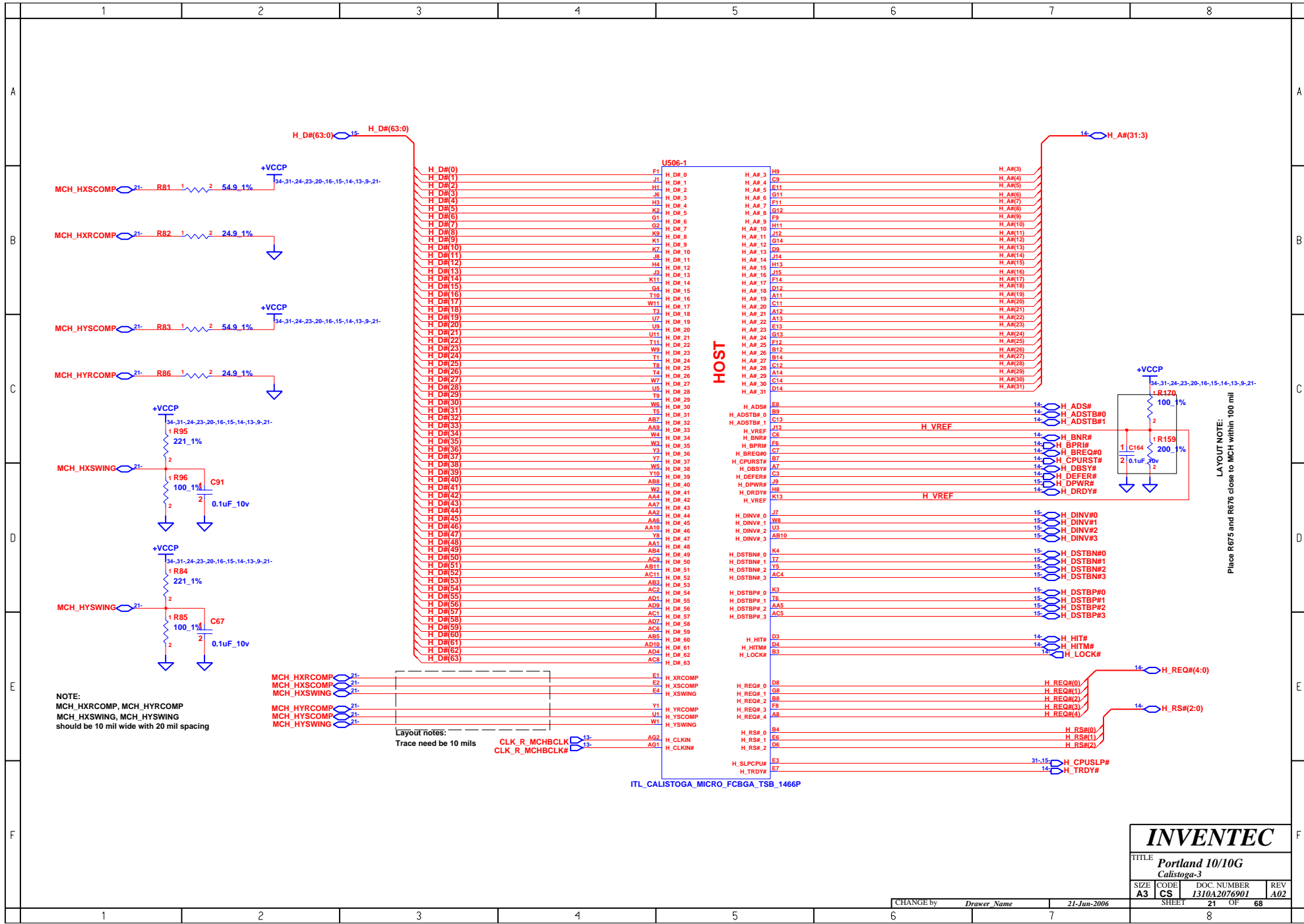
PEG_TXP0	C603	0.1uF 10V	63	PEG_C_TXP0
PEG_TXN0	C604	0.1uF 10V	63	PEG_C_TXN0
PEG_TXP1	C581	0.1uF 10V	63	PEG_C_TXP1
PEG_TXN1	C582	0.1uF 10V	63	PEG_C_TXN1
PEG_TXP2	C605	0.1uF 10V	63	PEG_C_TXP2
PEG_TXN2	C606	0.1uF 10V	63	PEG_C_TXN2
PEG_TXP3	C583	0.1uF 10V	63	PEG_C_TXP3
PEG_TXN3	C584	0.1uF 10V	63	PEG_C_TXN3
PEG_TXP4	C607	0.1uF 10V	63	PEG_C_TXP4
PEG_TXN4	C608	0.1uF 10V	63	PEG_C_TXN4
PEG_TXP5	C585	0.1uF 10V	63	PEG_C_TXP5
PEG_TXN5	C586	0.1uF 10V	63	PEG_C_TXN5
PEG_TXP6	C609	0.1uF 10V	63	PEG_C_TXP6
PEG_TXN6	C610	0.1uF 10V	63	PEG_C_TXN6
PEG_TXP7	C587	0.1uF 10V	63	PEG_C_TXP7
PEG_TXN7	C588	0.1uF 10V	63	PEG_C_TXN7
PEG_TXP8	C611	0.1uF 10V	63	PEG_C_TXP8
PEG_TXN8	C612	0.1uF 10V	63	PEG_C_TXN8
PEG_TXP9	C589	0.1uF 10V	63	PEG_C_TXP9
PEG_TXN9	C590	0.1uF 10V	63	PEG_C_TXN9
PEG_TXP10	C613	0.1uF 10V	63	PEG_C_TXP10
PEG_TXN10	C614	0.1uF 10V	63	PEG_C_TXN10
PEG_TXP11	C591	0.1uF 10V	63	PEG_C_TXP11
PEG_TXN11	C592	0.1uF 10V	63	PEG_C_TXN11
PEG_TXP12	C615	0.1uF 10V	63	PEG_C_TXP12
PEG_TXN12	C616	0.1uF 10V	63	PEG_C_TXN12
PEG_TXP13	C593	0.1uF 10V	63	PEG_C_TXP13
PEG_TXN13	C594	0.1uF 10V	63	PEG_C_TXN13
PEG_TXP14	C617	0.1uF 10V	63	PEG_C_TXP14
PEG_TXN14	C618	0.1uF 10V	63	PEG_C_TXN14
PEG_TXP15	C595	0.1uF 10V	63	PEG_C_TXP15
PEG_TXN15	C596	0.1uF 10V	63	PEG_C_TXN15

Place to near NB

INVENTEC

TITLE
Portland 10/10G
Callistoga-2

SIZE	CODE	DOC. NUMBER	REV
A3	CS	1310A2076901	A02



LAYOUT NOTE:
Place R675 and R676 close to MCH within 100 mil

NOTE:
MCH_HXRCOMP, MCH_HYRCOMP
MCH_HXSWING, MCH_HYSWING
should be 10 mil wide with 20 mil spacing

Layout notes:
Trace need be 10 mils

ITL_CALISTOGA_MICRO_FCBGA_TSB_1466P

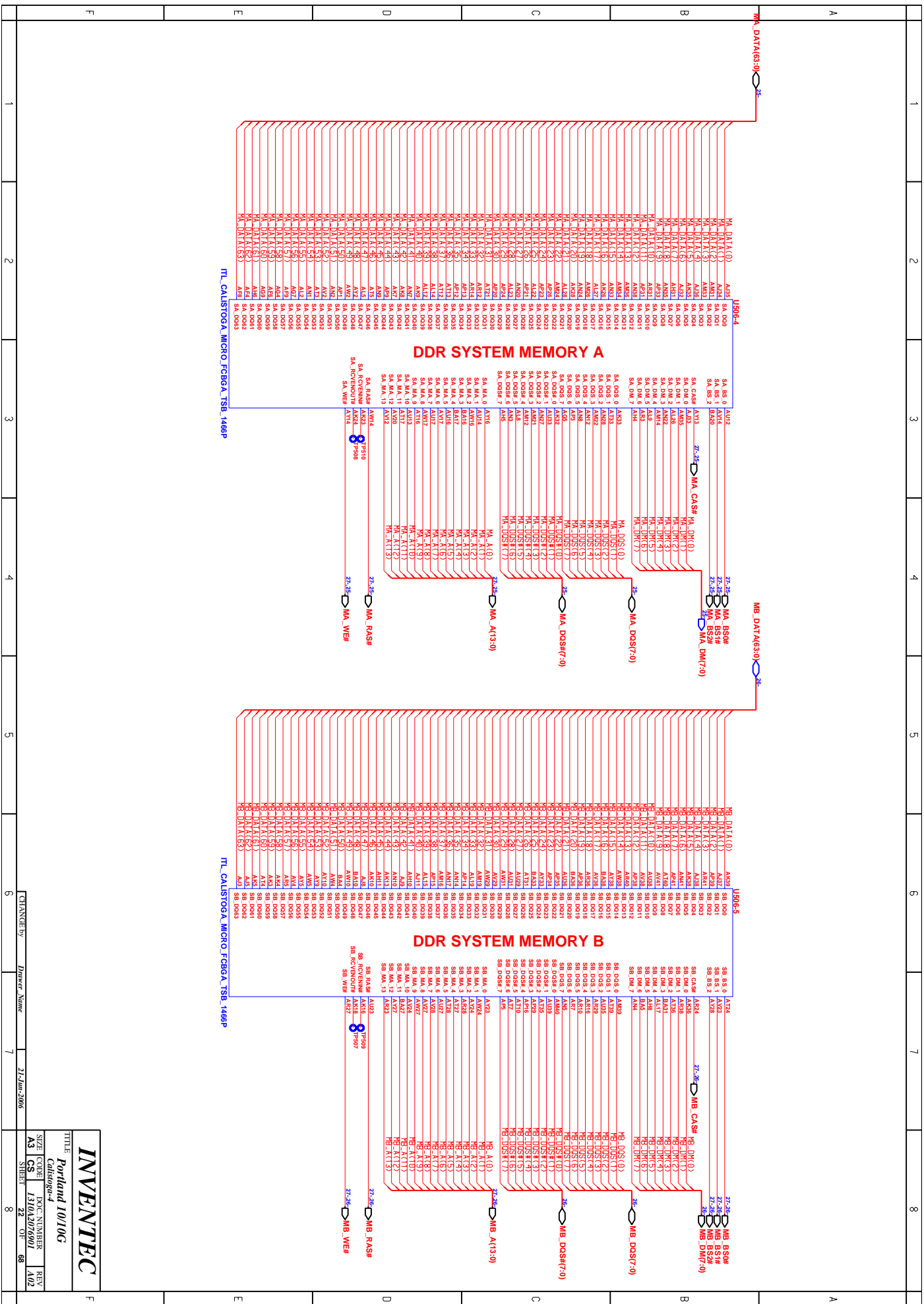
INVENTEC

TITLE
Portland 10/10G
Calistoga-3

SIZE	CODE	DOC. NUMBER	REV
A3	CS	1310A2076901	A02

CHANGE by: Drawer Name 21-Jun-2006

SHEET 21 OF 68

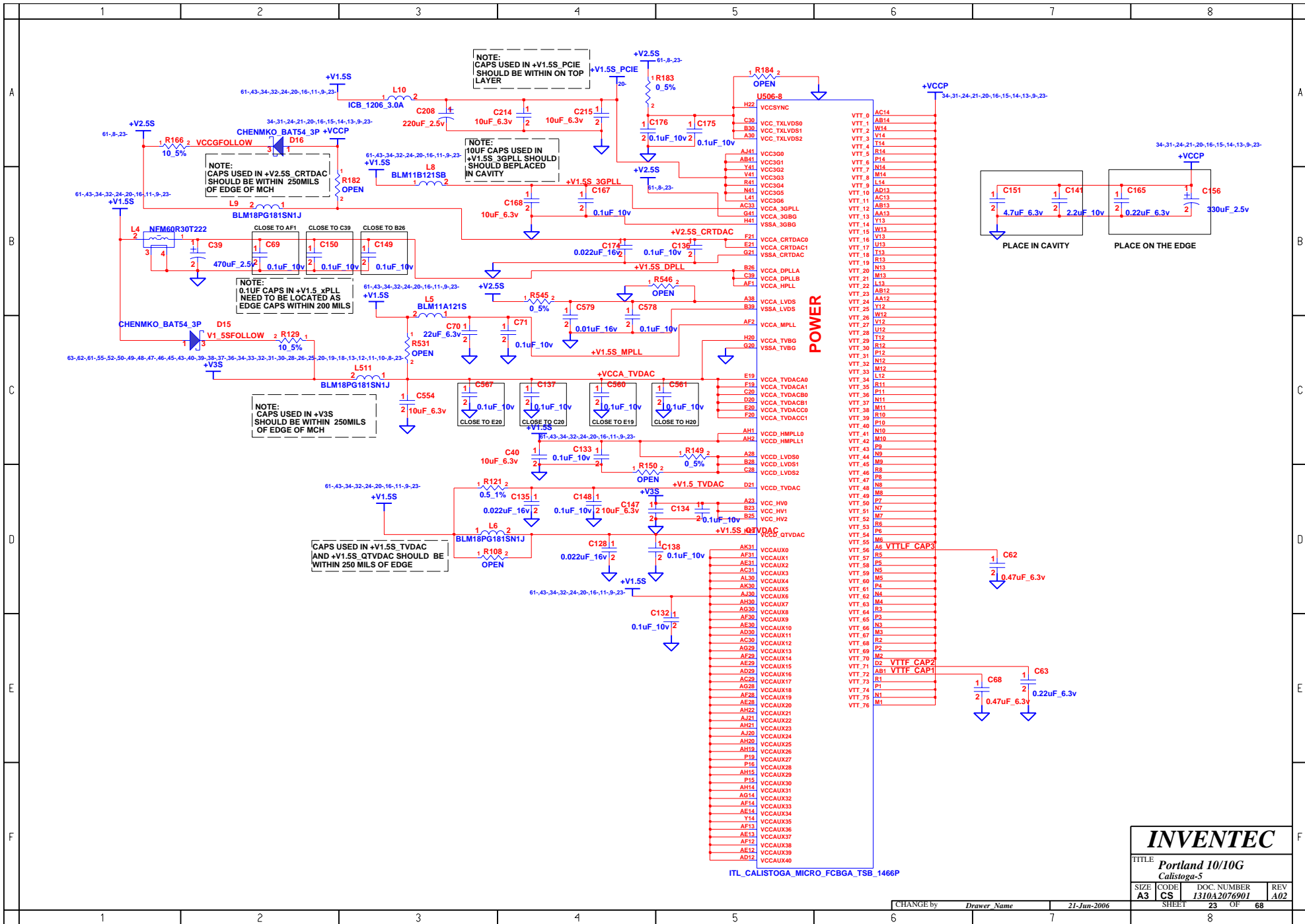


TL_CALISTOGA_MICRO_FC8GA_TSB_1466P

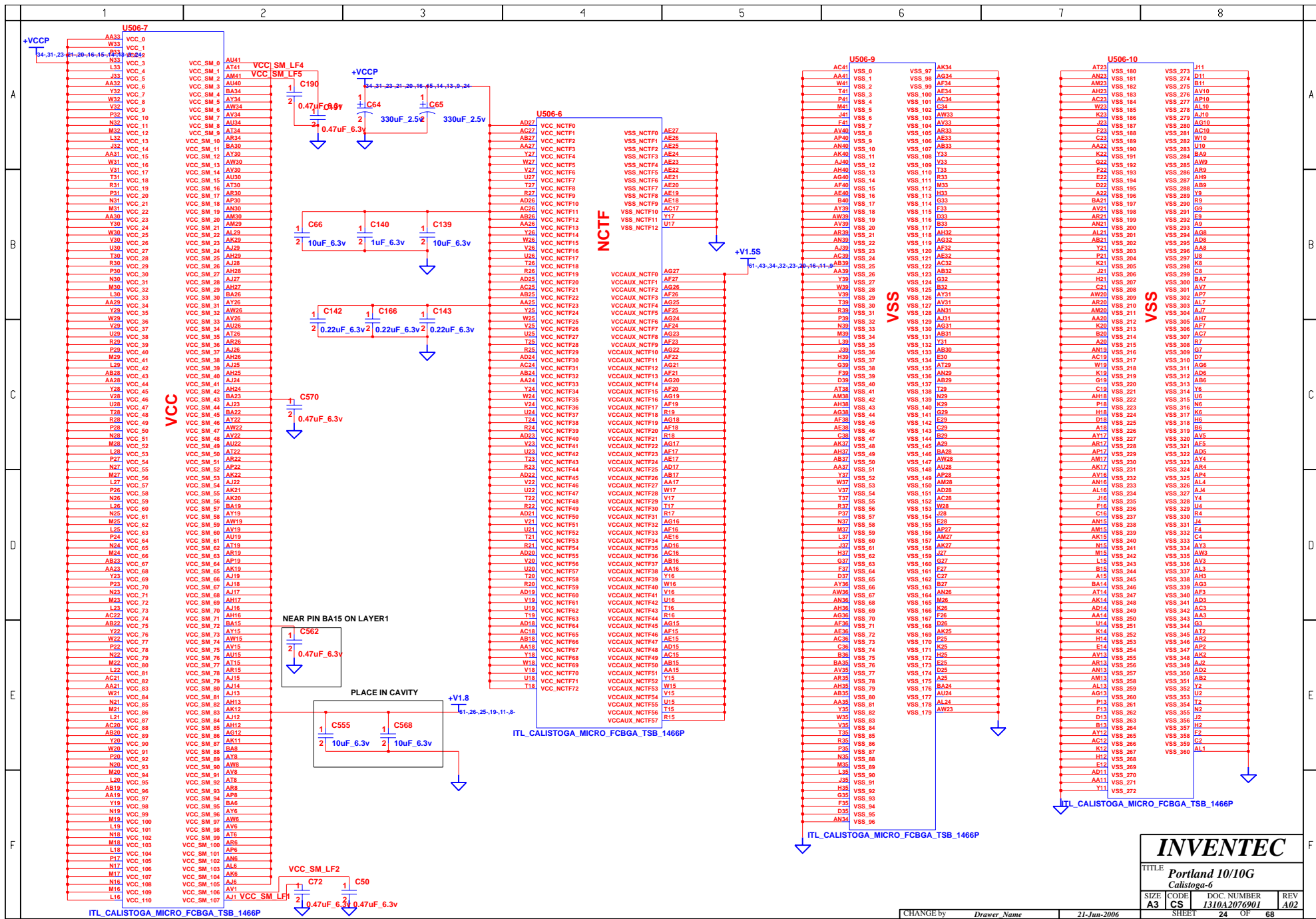
TL_CALISTOGA_MICRO_FC8GA_TSB_1466P

CHANGED BY: *Diwanr Naha* 21-Jan-2006

INVENTTEC			
Portland 10/10G			
Catalog#4			
TITLE	DOC NUMBER	REV	
SIZE	1310A207901	88	A02
CODE	CS	ZZ	01
AS	SHR1		

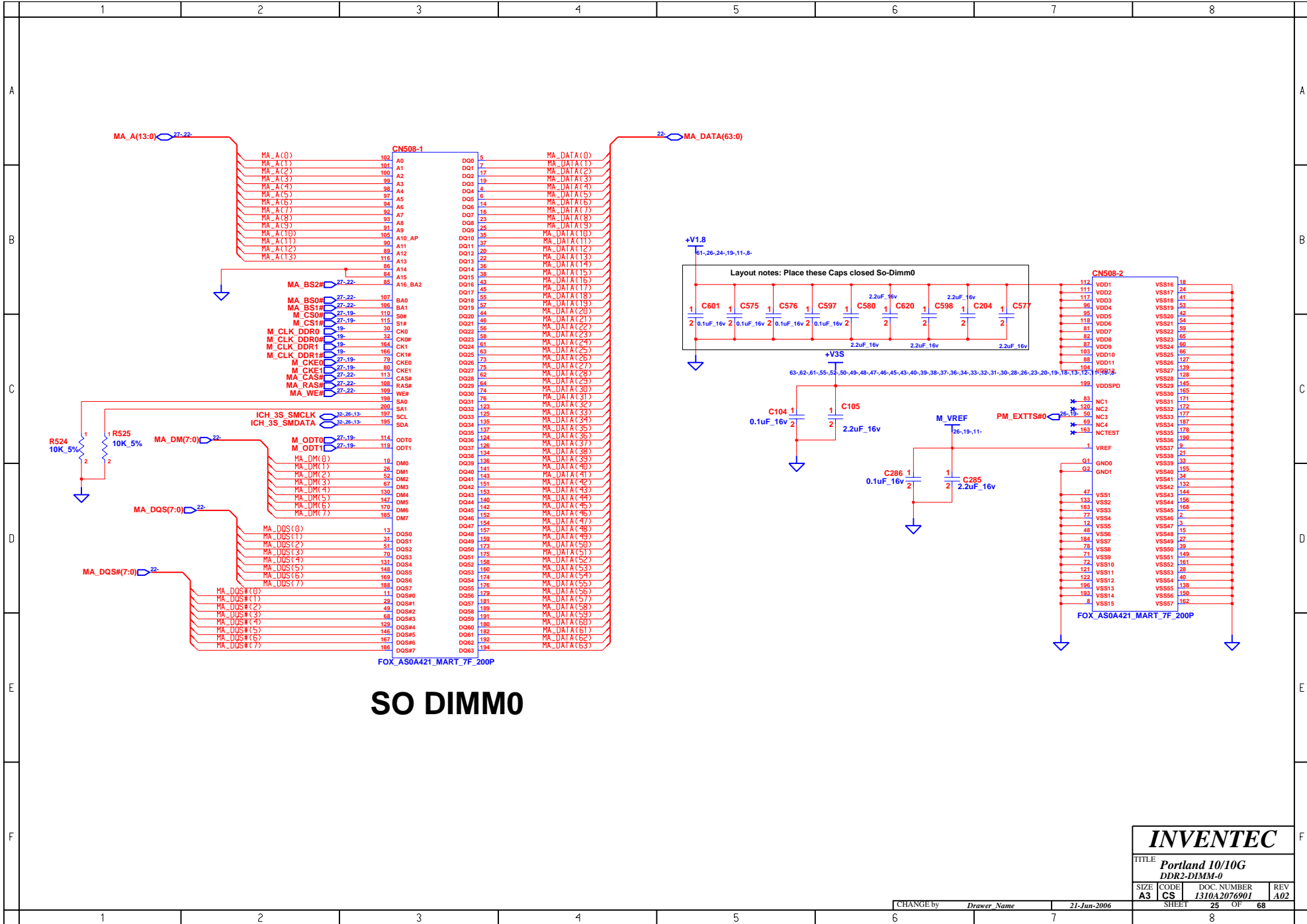


INVENTEC			
TITLE: Portland 10/10G <i>Calistoga-S</i>			
SIZE: A3	CODE: CS	DOC. NUMBER: 1310A2076901	REV: A02
CHANGE by: <i>Drawer Name</i>		21-Jun-2006	SHEET 23 OF 68



INVENTEC			
TITLE Portland 10/10G Calistoga-6			
SIZE A3	CODE CS	DOC. NUMBER 1310A2076901	REV A02
SHEET		24 OF 68	

CHANGE by *Drawer Name* 21-Jun-2006

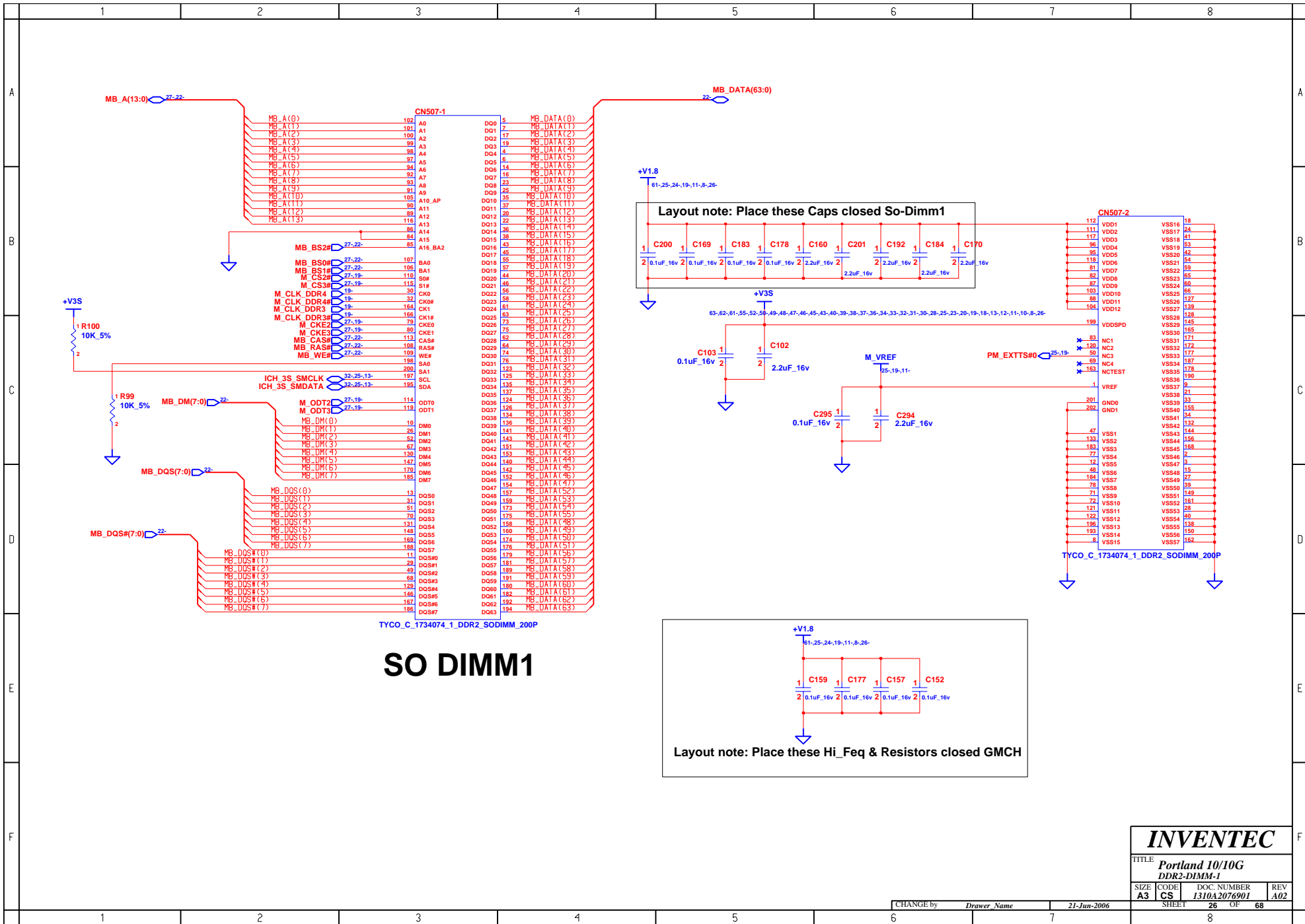


SO DIMM0

INVENTEC

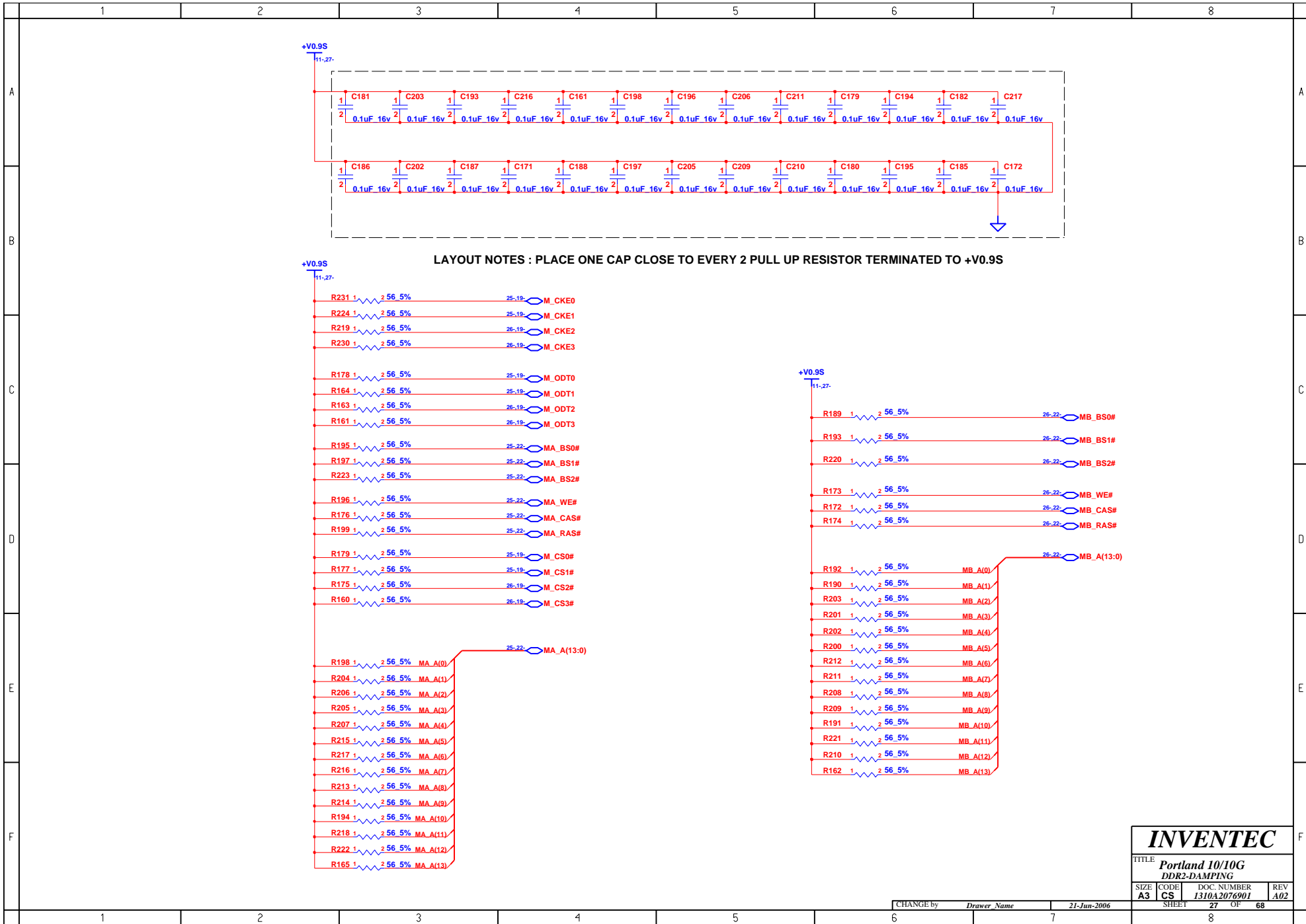
TITLE
**Portland 10/10G
 DDR2-DIMM-0**

SIZE A3	CODE CS	DOC. NUMBER 1310A2076901	REV A02
-------------------	-------------------	------------------------------------	-------------------

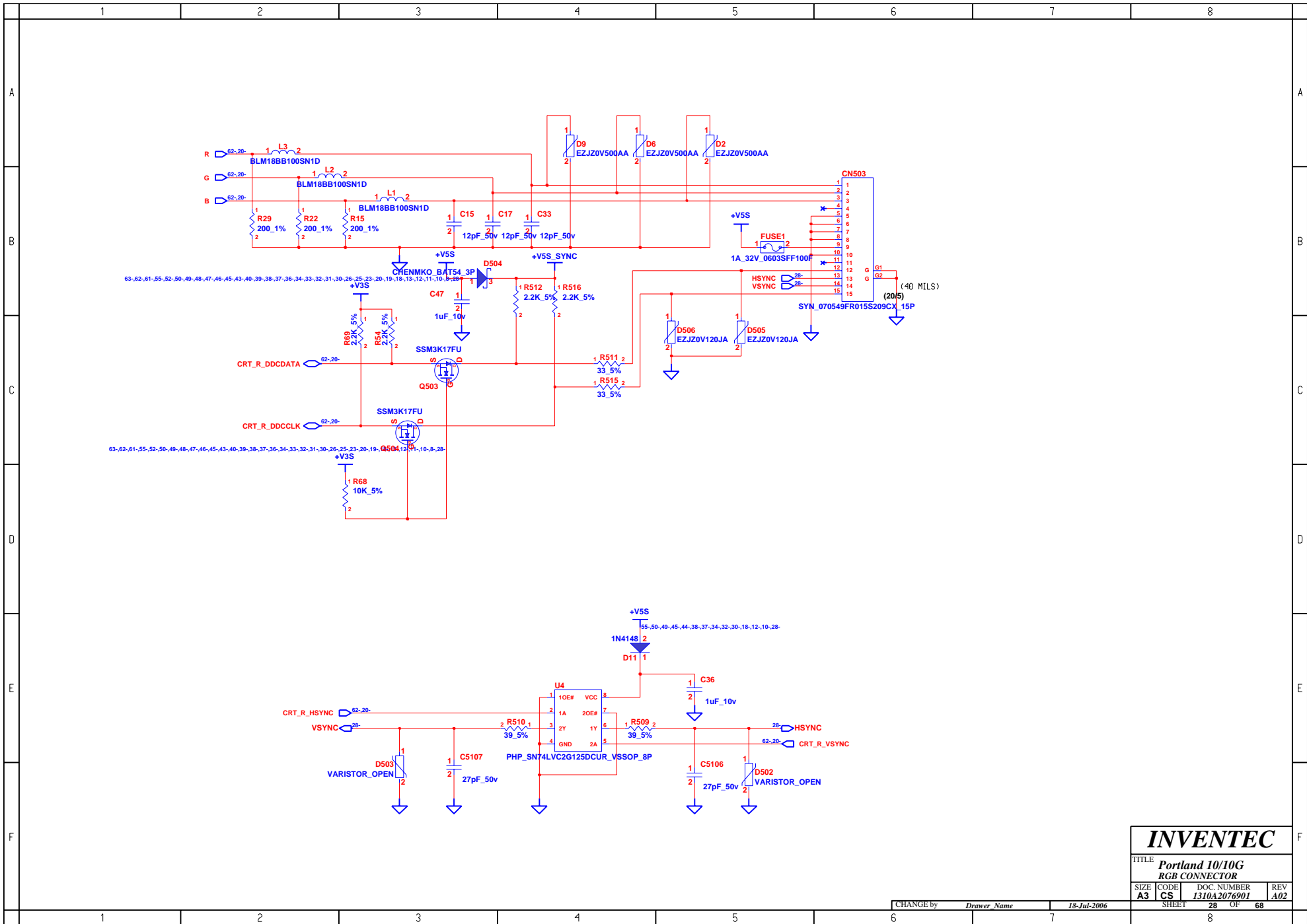


SO DIMM1

INVENTEC			
TITLE: Portland 10/10G DDR2-DIMM-1			
SIZE: A3	CODE: CS	DOC. NUMBER: 1310A2076901	REV: A02
CHANGE by: <i>Drawer Name</i>		21-Jun-2006	
SHEET: 26		OF: 68	



INVENTEC			
TITLE <i>Portland 10/10G</i> <i>DDR2-DAMPING</i>			
SIZE A3	CODE CS	DOC. NUMBER <i>1310A2076901</i>	REV A02
CHANGE by <i>Drawer Name</i>		21-Jun-2006	SHEET 27 OF 68

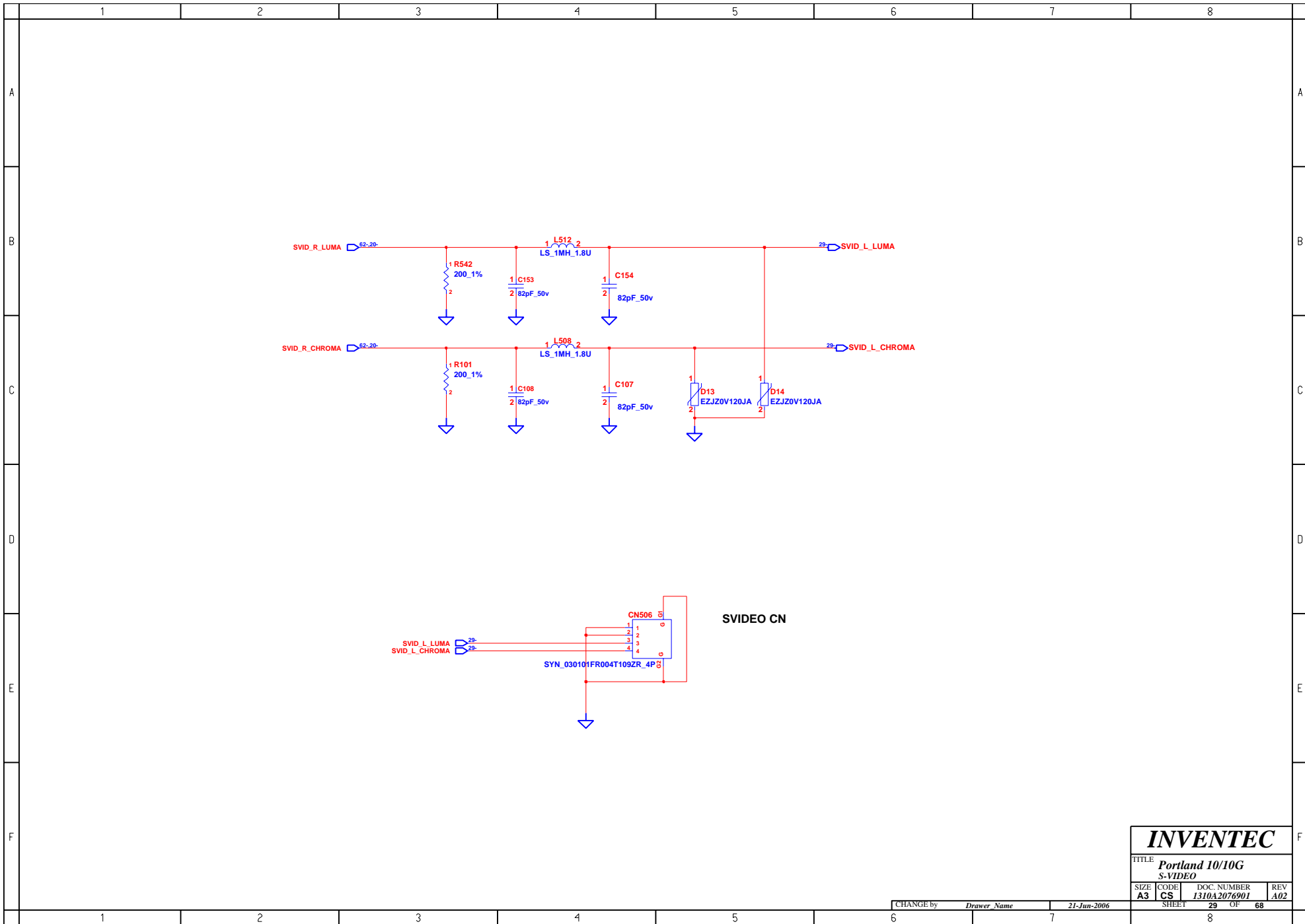


INVENTEC

TITLE
**Portland 10/10G
 RGB CONNECTOR**

SIZE A3	CODE CS	DOC. NUMBER 1310A2076901	REV A02
-------------------	-------------------	------------------------------------	-------------------

CHANGE by *Drawer Name* 18-Jul-2006 SHEET 28 OF 68

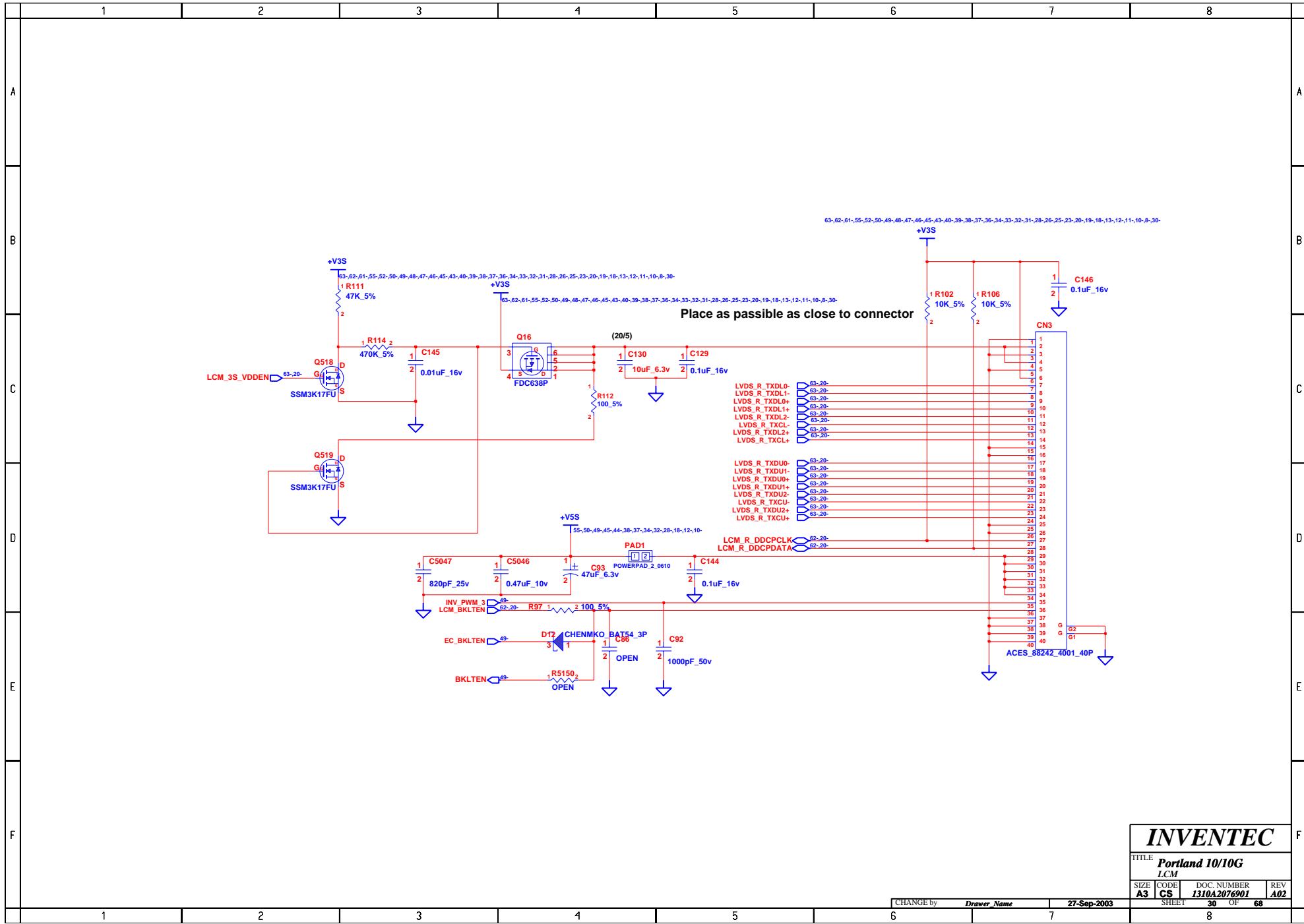


INVENTEC

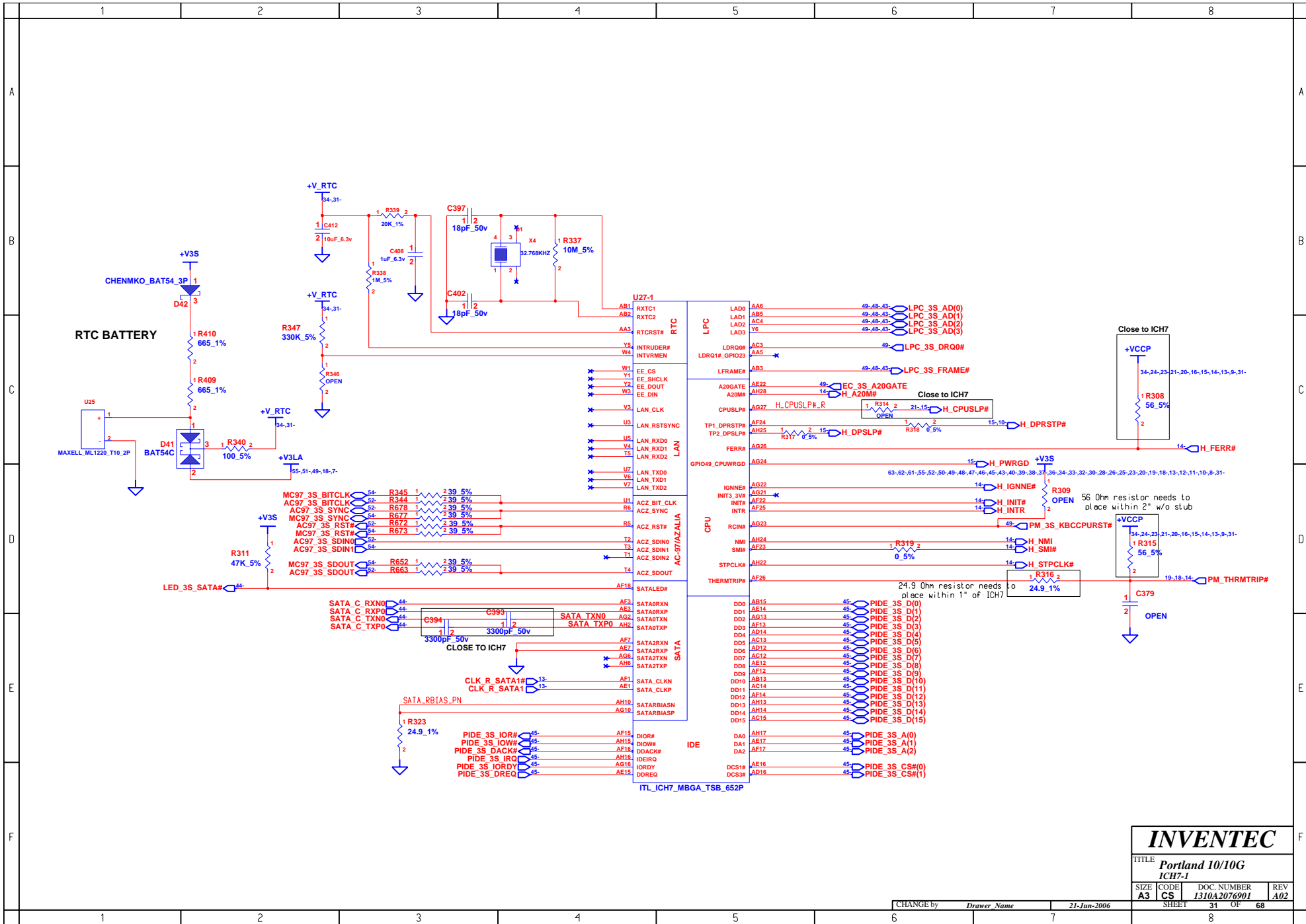
TITLE **Portland 10/10G S-VIDEO**

SIZE A3	CODE CS	DOC. NUMBER 1310A2076901	REV A02
----------------	----------------	---------------------------------	----------------

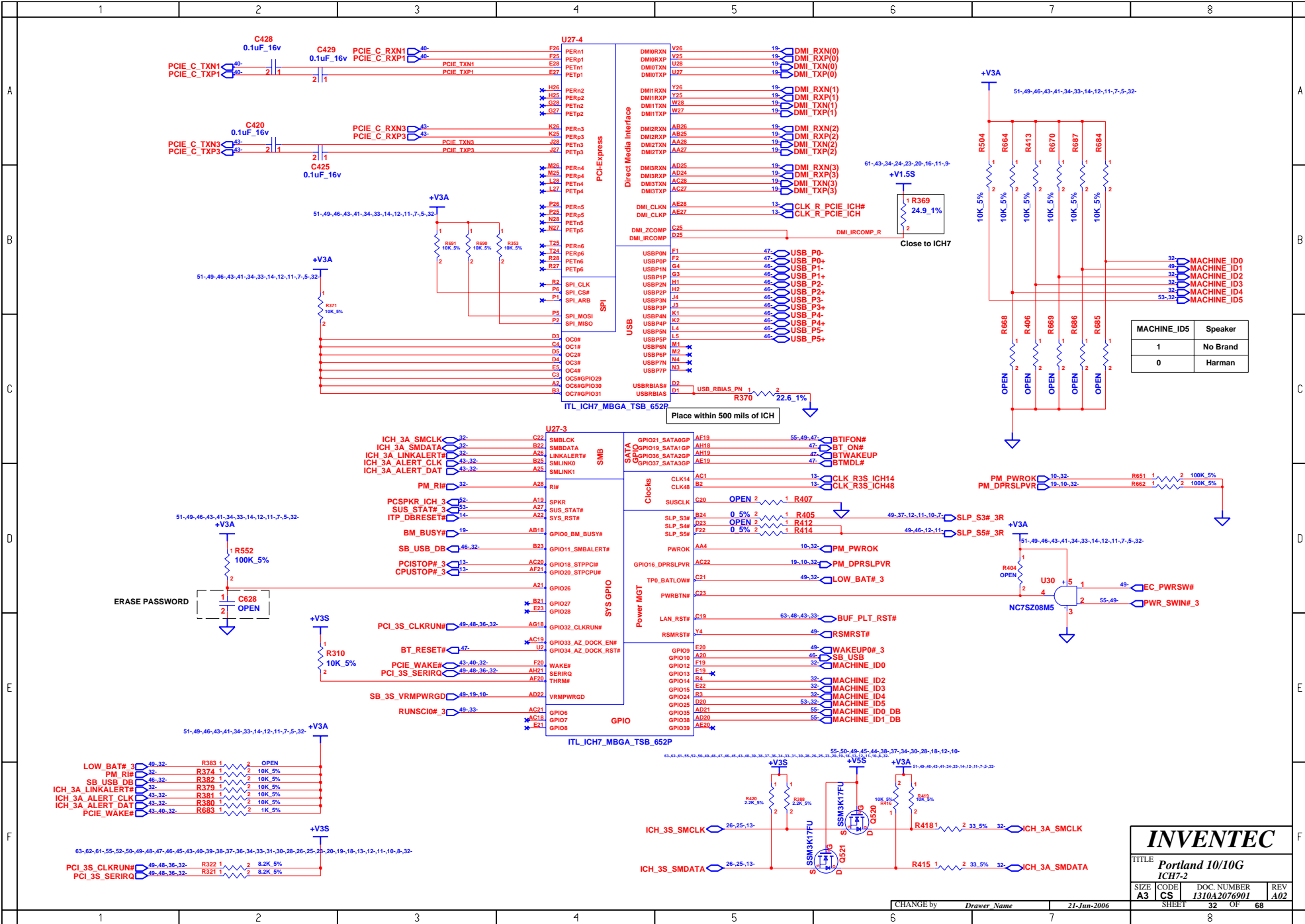
CHANGE by *Drawer Name* 21-Jun-2006 SHEET 29 OF 68



INVENTEC			
TITLE Portland 10/10G			
LCM			
SIZE A3	CODE CS	DOC. NUMBER 1310A2076901	REV A02
CHANGE by <i>Drawer Name</i>		27-Sep-2003	SHEET 30 OF 68



INVENTEC			
TITLE Portland 10/10G ICH7-1			
SIZE A3	CODE CS	DOC. NUMBER 1310A2076901	REV A02
CHANGE by <i>Drawer Name</i>		21-Jun-2006	
SHEET 31		OF 68	



MACHINE_ID5	Speaker
1	No Brand
0	Harman

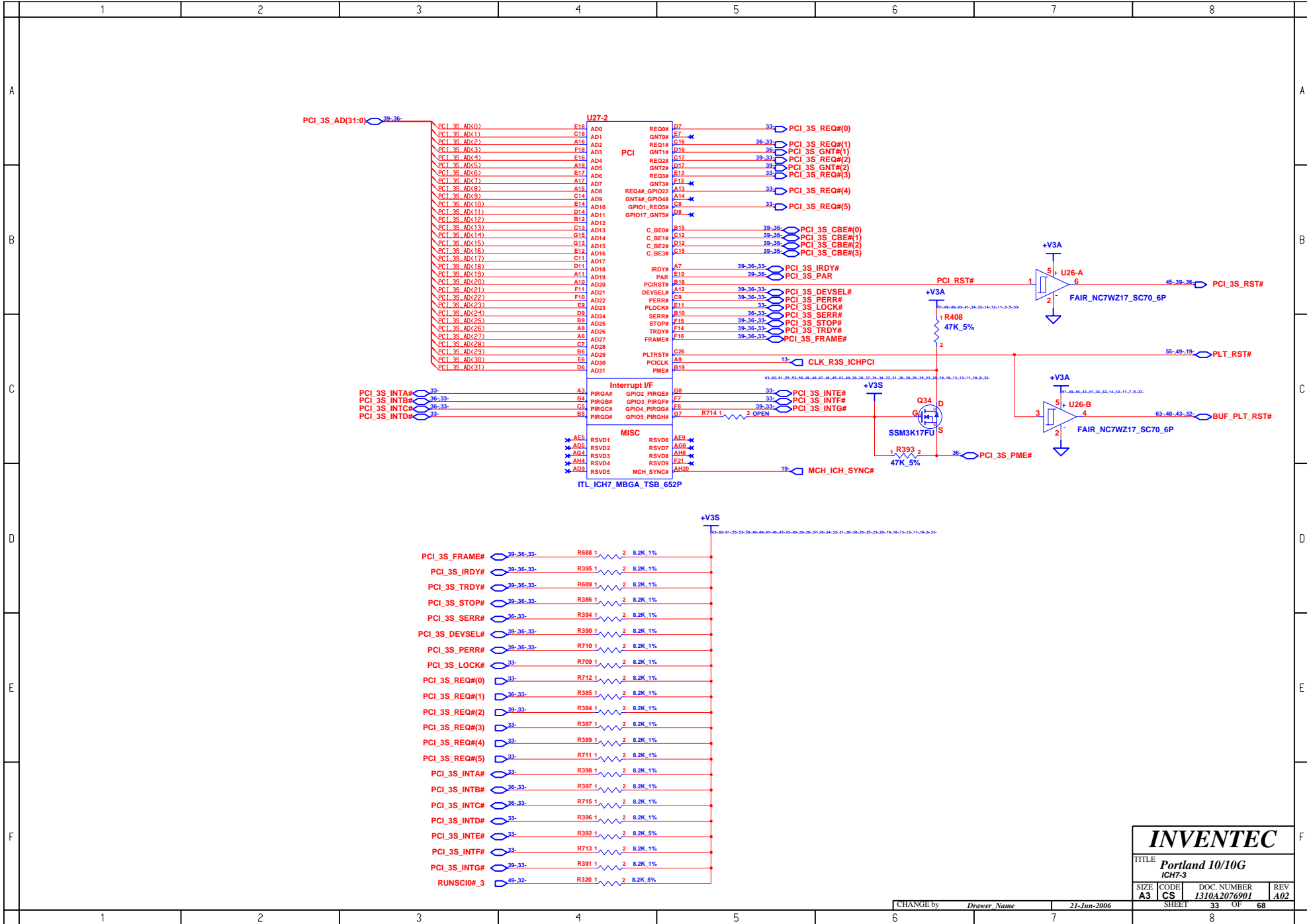
63-62,61-55,52-50,49-48,47-46,45-43,40-39,38-37,36-34,33-31,30-28,26-25,23-20,19-18,13-12,11-10,8-32

ERASE PASSWORD

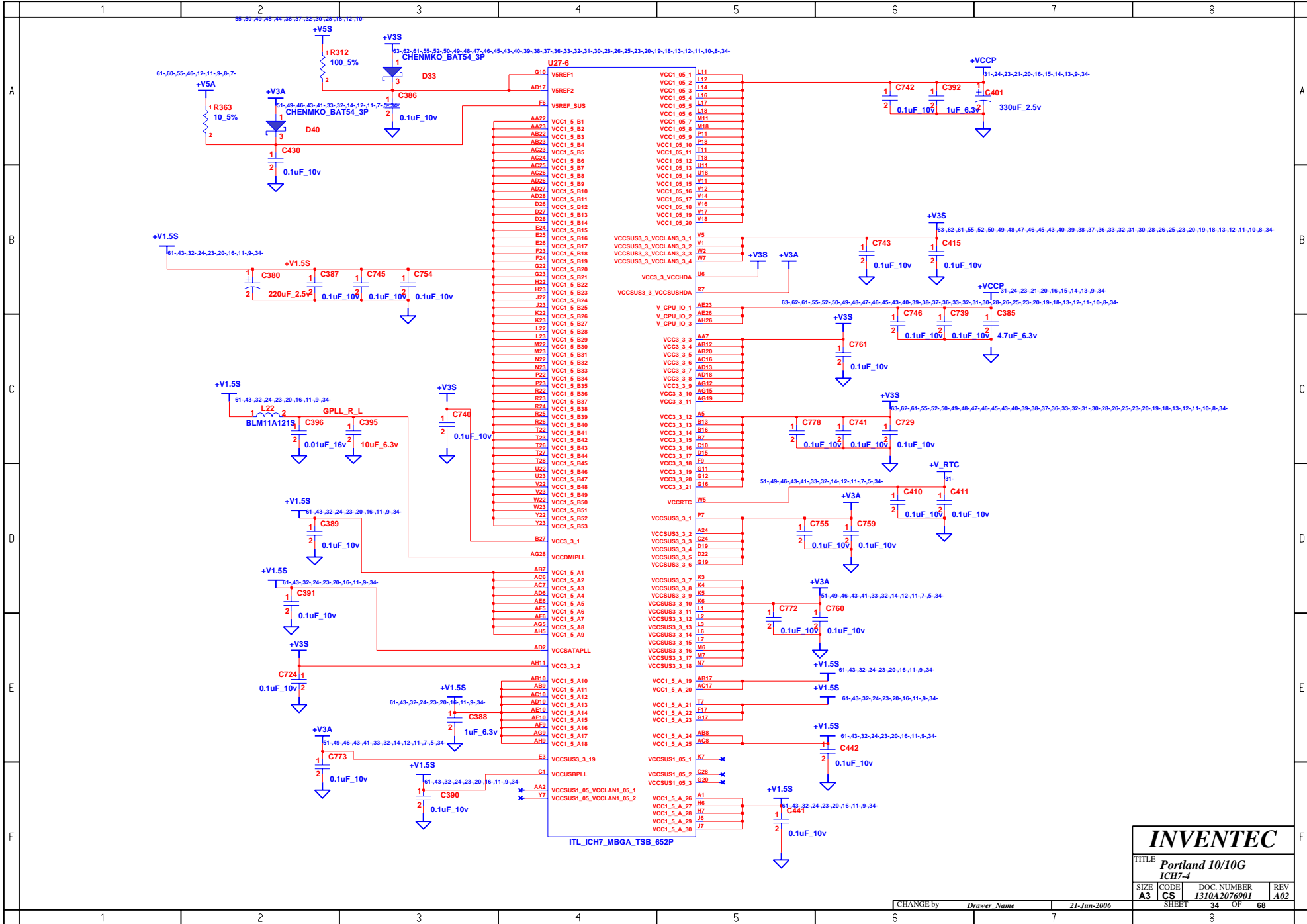
INVENTEC

Portland 10/10G ICH-2

SIZE	CODE	DOC. NUMBER	REV
A3	CS	1310A2076901	A02



INVENTEC			
TITLE Portland 10/10G			
iCH7-3			
SIZE	CODE	DOC. NUMBER	REV
A3	CS	1310A2076901	A02
CHANGE by		Drawer Name	21-Jun-2006
SHEET		33	OF 68



INVENTEC			
TITLE Portland 10/10G ICH7-4			
SIZE A3	CODE CS	DOC. NUMBER 1310A2076901	REV A02
CHANGE by <i>Drawer Name</i>		21-Jun-2006	
SHEET 34		OF 68	

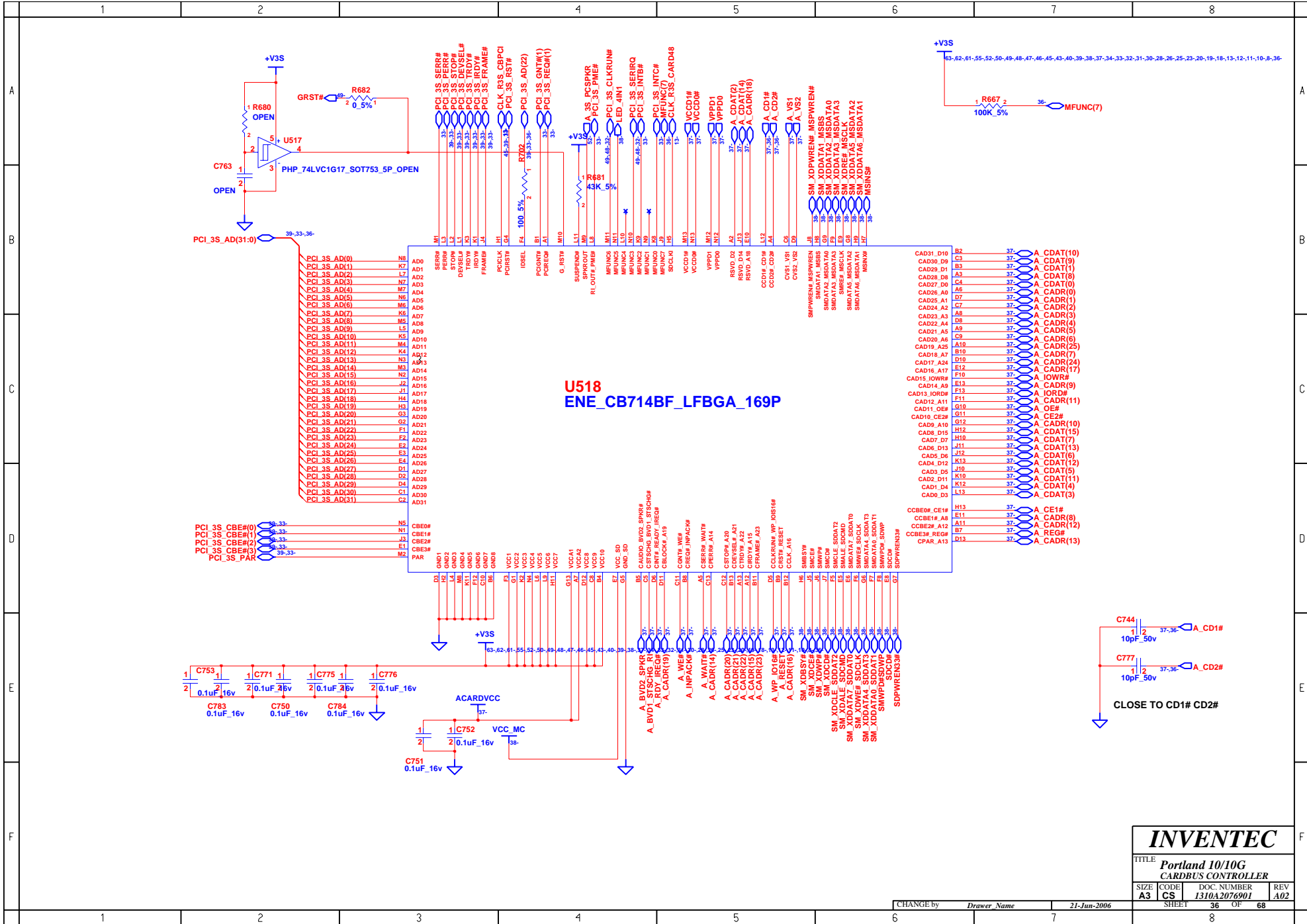
	1	2	3	4	5	6	7	8	
A									A
B									B
C									C
D									D
E									E
F									F

U27-5

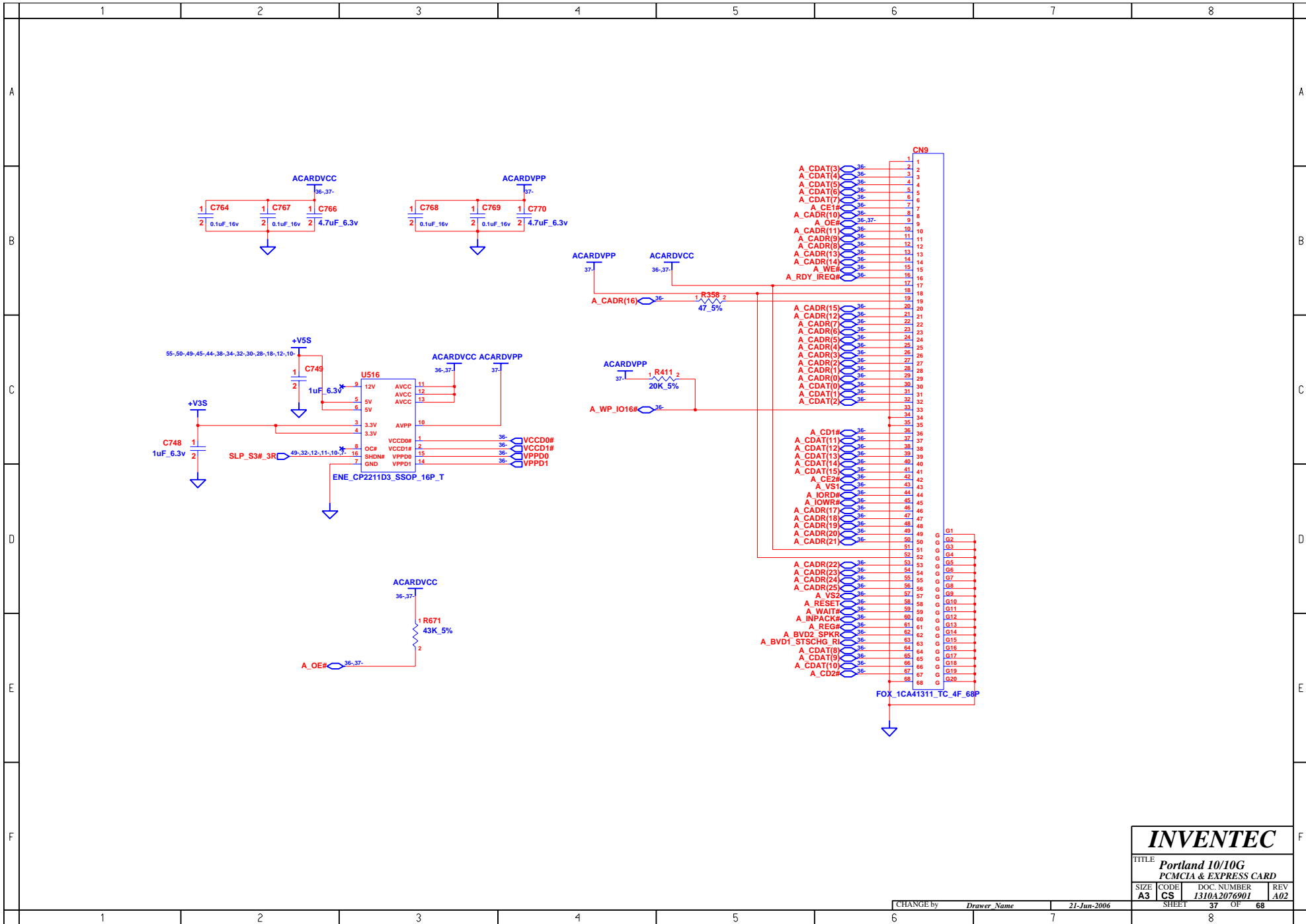
A4	VSS1	VSS96	P28
A23	VSS2	VSS99	R1
B1	VSS3	VSS100	R11
B8	VSS4	VSS101	R12
B11	VSS5	VSS102	R13
B14	VSS6	VSS103	R14
B17	VSS7	VSS104	R15
B20	VSS8	VSS105	R16
B26	VSS9	VSS106	R17
B28	VSS10	VSS107	R18
C2	VSS11	VSS108	T6
C6	VSS12	VSS109	T12
C27	VSS13	VSS110	T13
D10	VSS14	VSS111	T14
D13	VSS15	VSS112	T15
D18	VSS16	VSS113	T16
D21	VSS17	VSS114	T17
D24	VSS18	VSS115	U1
E1	VSS19	VSS116	U12
E2	VSS20	VSS117	U13
E4	VSS21	VSS118	U14
E8	VSS22	VSS119	U15
E15	VSS23	VSS120	U16
F3	VSS24	VSS121	U17
F4	VSS25	VSS122	U24
F4	VSS26	VSS123	U25
F12	VSS27	VSS124	U26
F27	VSS28	VSS125	V2
F28	VSS29	VSS126	V13
G1	VSS30	VSS127	V15
G2	VSS31	VSS128	V24
G5	VSS32	VSS129	V27
G6	VSS33	VSS130	V28
G8	VSS34	VSS131	W6
G14	VSS35	VSS132	W24
G18	VSS36	VSS133	W25
G21	VSS37	VSS134	W26
G24	VSS38	VSS135	Y2
G25	VSS39	VSS136	Y24
G26	VSS40	VSS137	Y27
H3	VSS41	VSS138	Y28
H4	VSS42	VSS139	AA1
H5	VSS43	VSS140	AA24
H24	VSS44	VSS141	AA25
H27	VSS45	VSS142	AA26
H28	VSS46	VSS143	AB4
J1	VSS47	VSS144	AB6
J2	VSS48	VSS145	AB11
J5	VSS49	VSS146	AB14
J24	VSS50	VSS147	AB16
J25	VSS51	VSS148	AB19
J26	VSS52	VSS149	AB21
K24	VSS53	VSS150	AB24
K27	VSS54	VSS151	AB27
K28	VSS55	VSS152	AB28
L13	VSS56	VSS153	AC2
L15	VSS57	VSS154	AC5
L24	VSS58	VSS155	AC9
L25	VSS59	VSS156	AC11
L26	VSS60	VSS157	AD1
M1	VSS61	VSS158	AD3
M4	VSS62	VSS159	AD4
M5	VSS63	VSS160	AD7
M12	VSS64	VSS161	AD8
M13	VSS65	VSS162	AD11
M14	VSS66	VSS163	AD15
M15	VSS67	VSS164	AD19
M16	VSS68	VSS165	AD23
M17	VSS69	VSS166	AE2
M24	VSS70	VSS167	AE4
M27	VSS71	VSS168	AE8
M28	VSS72	VSS169	AE11
N1	VSS73	VSS170	AE13
N2	VSS74	VSS171	AE18
N5	VSS75	VSS172	AE21
N6	VSS76	VSS173	AE24
N11	VSS77	VSS174	AE25
N12	VSS78	VSS175	AF2
N13	VSS79	VSS176	AF4
N14	VSS80	VSS177	AF9
N15	VSS81	VSS178	AF11
N16	VSS82	VSS179	AF27
N17	VSS83	VSS180	AF28
N18	VSS84	VSS181	AG1
N24	VSS85	VSS182	AG3
N25	VSS86	VSS183	AG7
N26	VSS87	VSS184	AG11
P2	VSS88	VSS185	AG14
P4	VSS89	VSS186	AG17
P12	VSS90	VSS187	AG20
P13	VSS91	VSS188	AG23
P14	VSS92	VSS189	AH1
P15	VSS93	VSS190	AH3
P16	VSS94	VSS191	AH7
P17	VSS95	VSS192	AH12
P24	VSS96	VSS193	AH23
P27	VSS97	VSS194	AH27

ITL ICH7_MBGA_TSB_652P

INVENTEC			
TITLE <i>Portland 10/10G</i>			
ICH7-5			
SIZE A3	CODE CS	DOC. NUMBER <i>1310A2076901</i>	REV A02
CHANGE by <i>Drawer Name</i>		21-Jun-2006	
SHEET		35 OF 68	



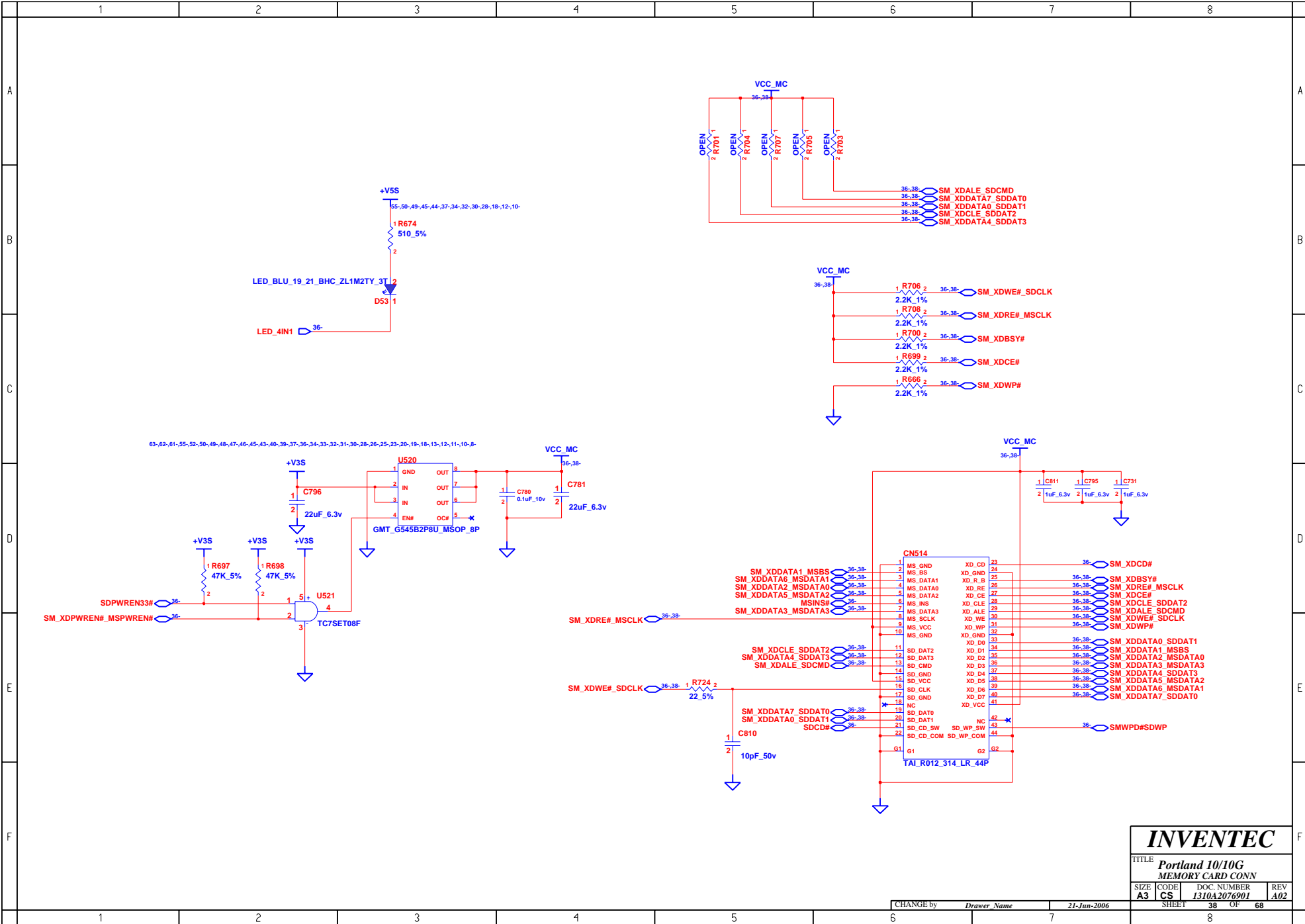
INVENTEC			
TITLE Portland 10/10G CARBUS CONTROLLER			
SIZE A3	CODE CS	DOC. NUMBER 1310A2076901	REV A02
CHANGE by <i>Drawer Name</i>		21-Jun-2006	
SHEET 36		OF 68	



INVENTEC

TITLE
**Portland 10/10G
 PCMCIA & EXPRESS CARD**

SIZE A3	CODE CS	DOC. NUMBER 1310A2076901	REV A02
-------------------	-------------------	------------------------------------	-------------------



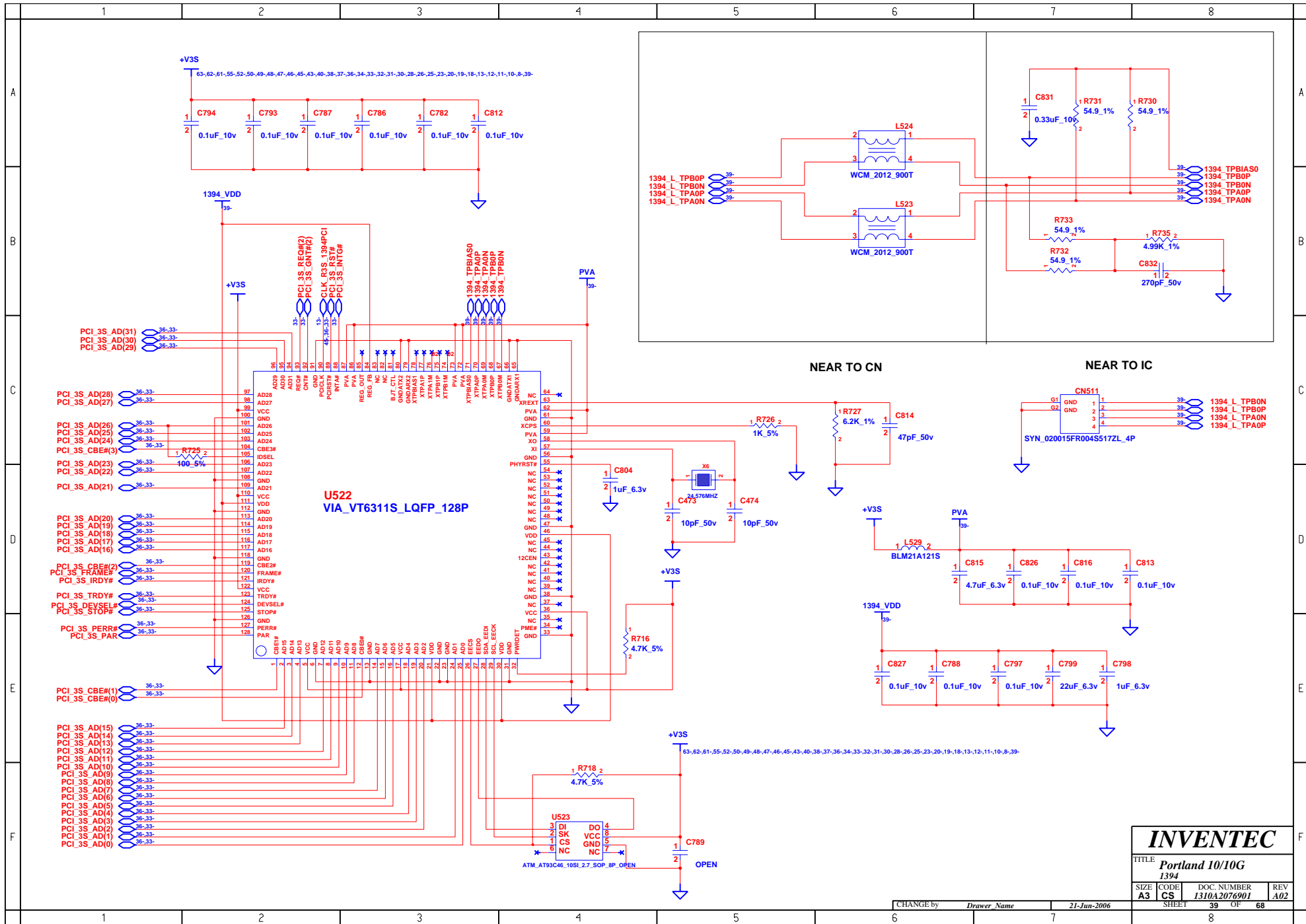
INVENTEC

TITLE
**Portland 10/10G
 MEMORY CARD CONN**

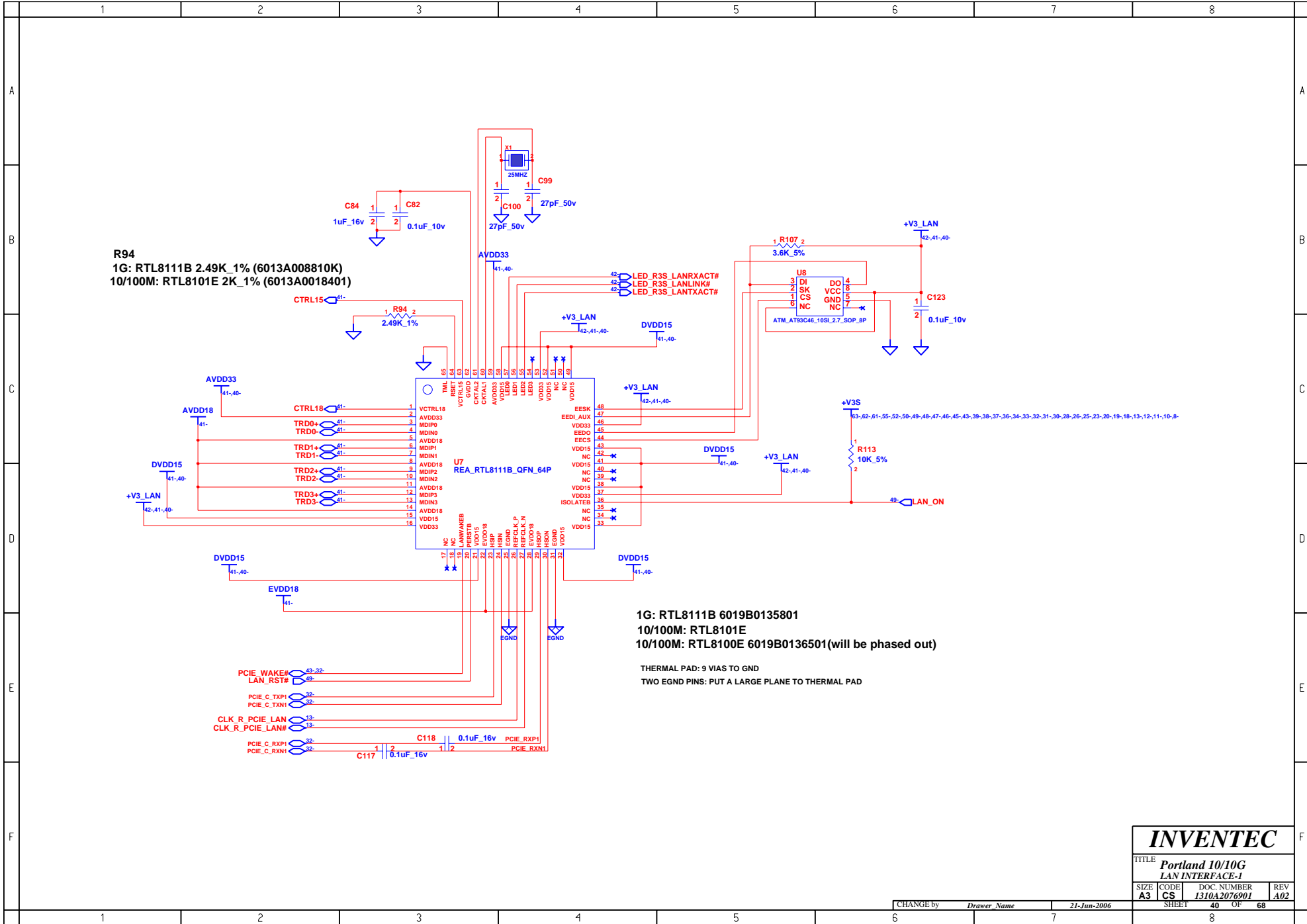
SIZE A3	CODE CS	DOC. NUMBER 1310A2076901	REV A02
-------------------	-------------------	------------------------------------	-------------------

CHANGE by *Drawer Name* 21-Jun-2006

SHEET 38 OF 68



INVENTEC			
TITLE Portland 10/10G			
1394			
SIZE	CODE	DOC. NUMBER	REV
A3	CS	1310A2076901	A02
CHANGE by		Drawer Name	21-Jun-2006
SHEET		39	OF 68



R94
1G: RTL8111B 2.49K_1% (6013A008810K)
10/100M: RTL8101E 2K_1% (6013A0018401)

1G: RTL8111B 6019B0135801
10/100M: RTL8101E
10/100M: RTL8100E 6019B0136501(will be phased out)

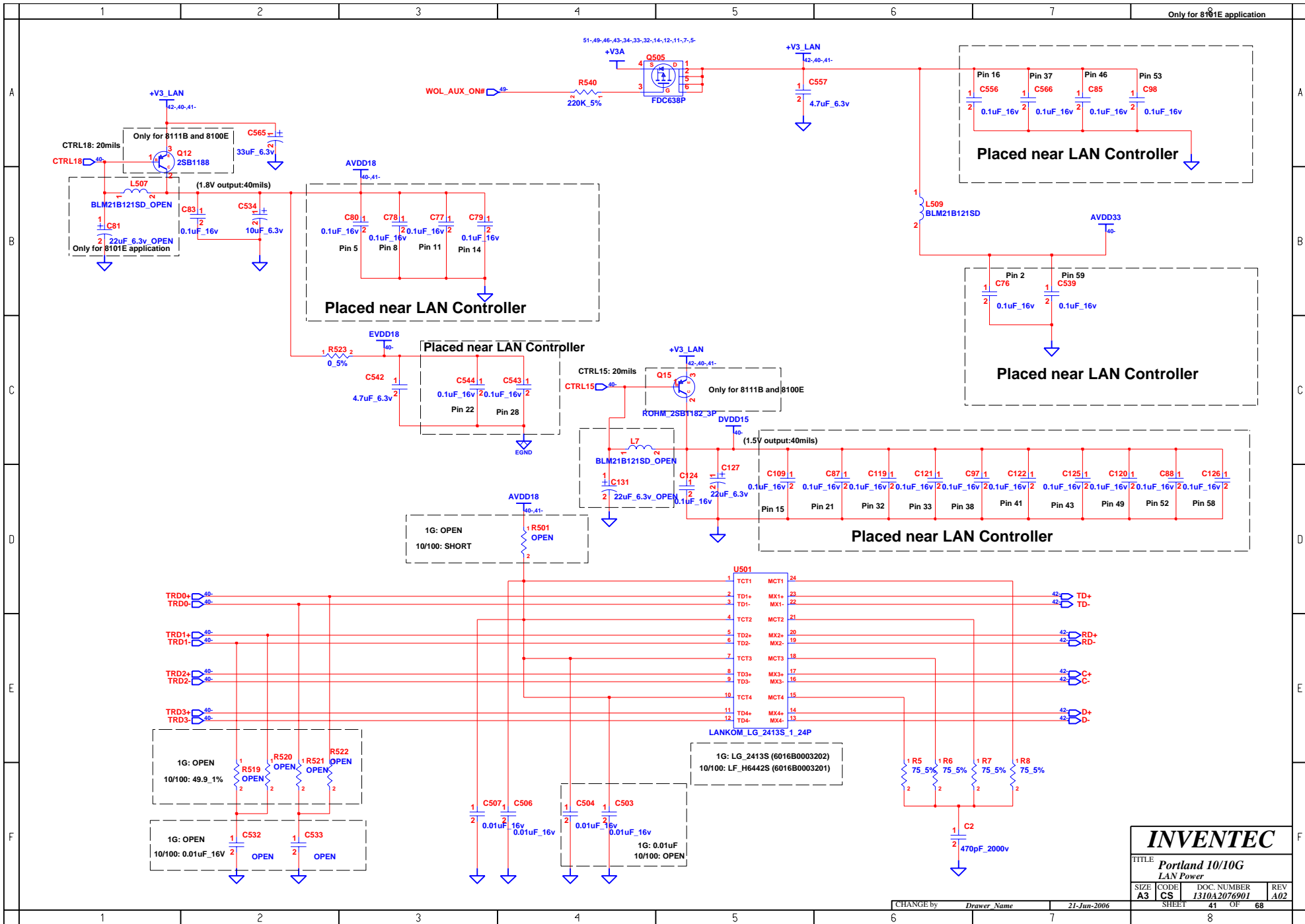
THERMAL PAD: 9 VIAS TO GND
 TWO EGNP PINS: PUT A LARGE PLANE TO THERMAL PAD

INVENTEC

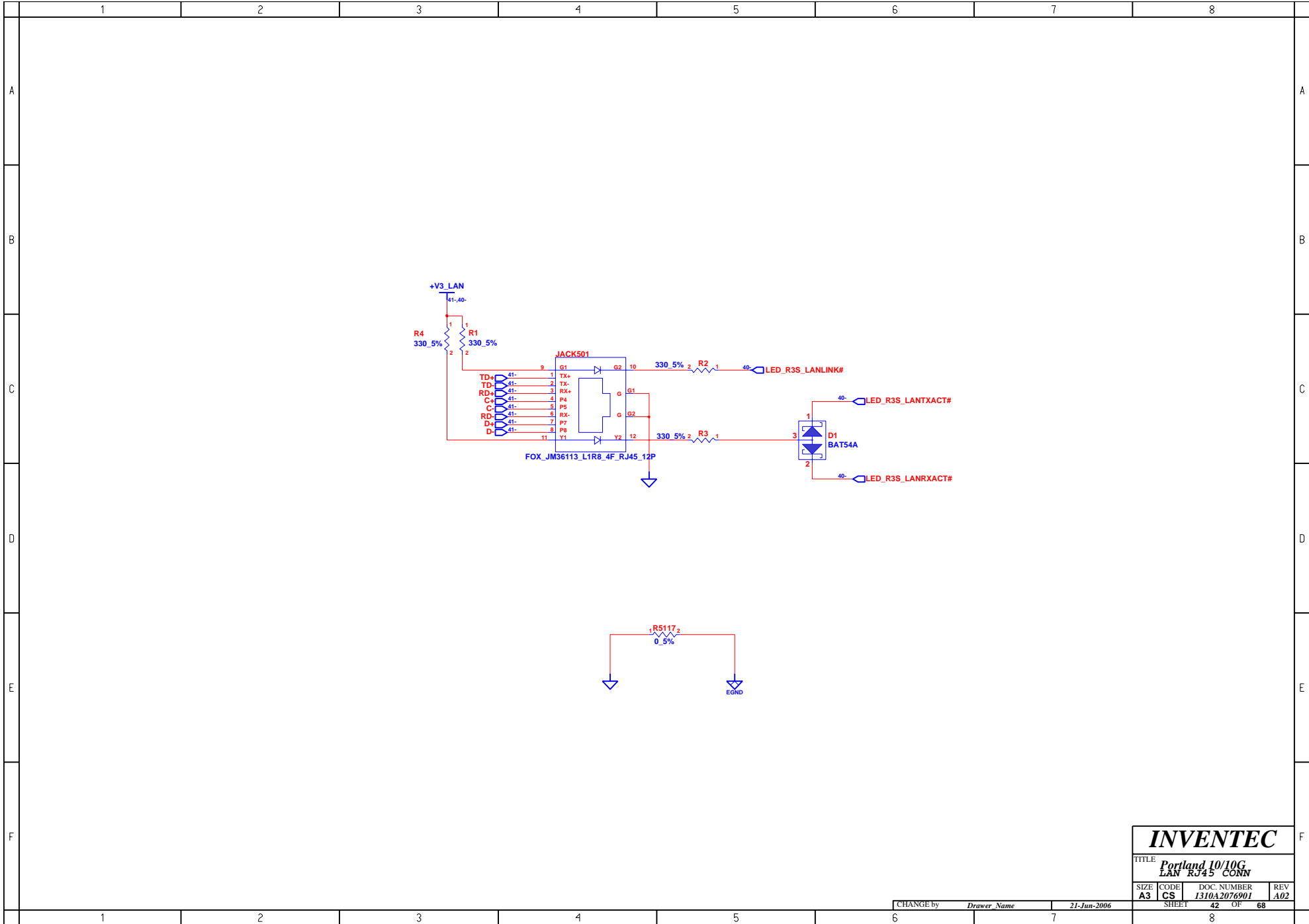
TITLE
Portland 10/10G
LAN INTERFACE-1

SIZE	CODE	DOC. NUMBER	REV
A3	CS	1310A2076901	A02

CHANGE by	Drawer Name	21-Jun-2006	SHEET	40	OF	68
-----------	-------------	-------------	-------	----	----	----



INVENTEC			
TITLE: Portland 10/10G LAN Power			
SIZE: A3	CODE: CS	DOC. NUMBER: 1310A2076901	REV: A02
CHANGE by: <i>Drawer Name</i>		21-Jun-2006	
SHEET 41		OF 68	

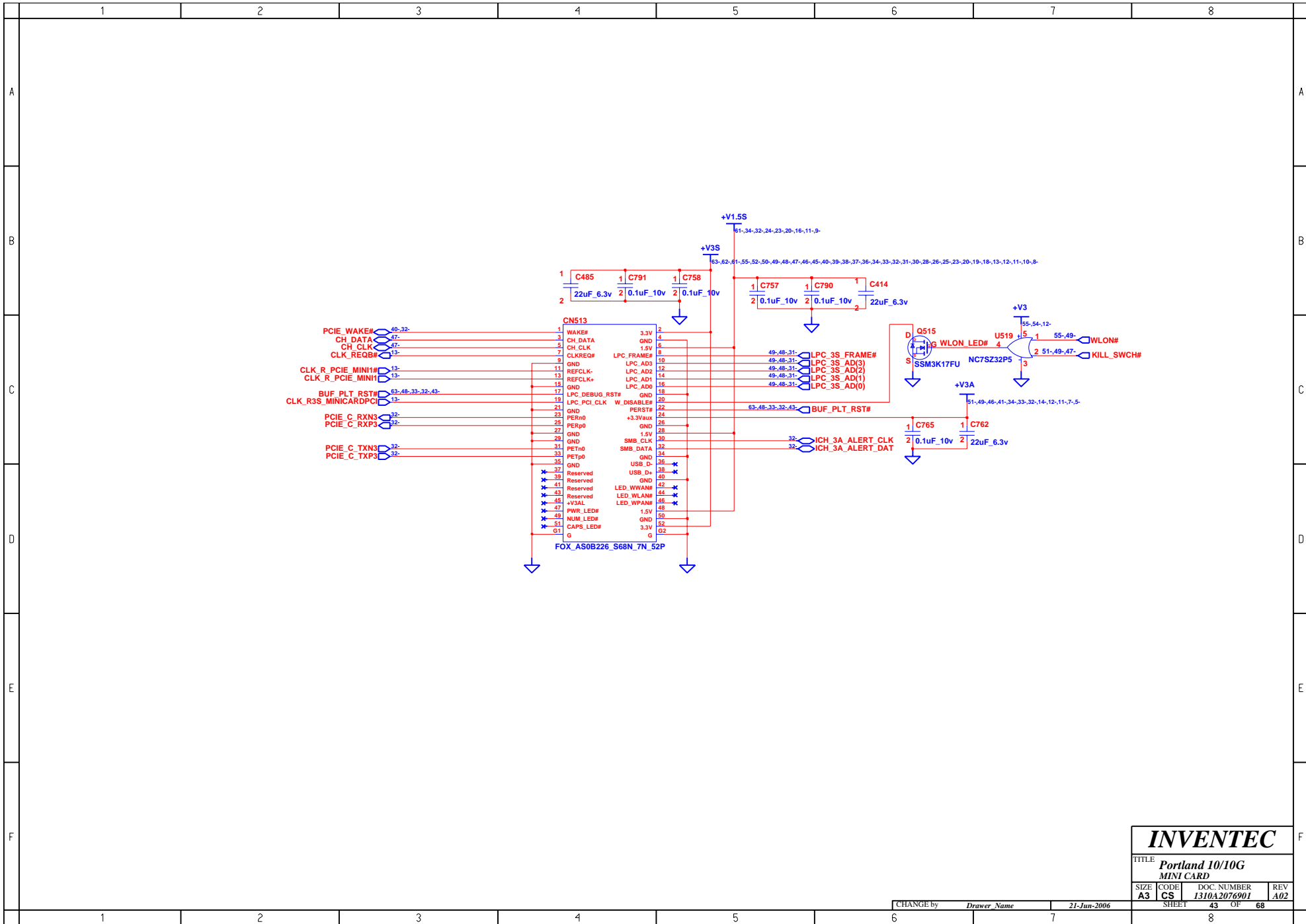


INVENTEC

TITLE *Portland 10/10G LAN RJ45 CONN*

SIZE	CODE	DOC. NUMBER	REV
A3	CS	1310A2076901	A02

CHANGE by *Drawer Name* 21-Jun-2006 SHEET 42 OF 68



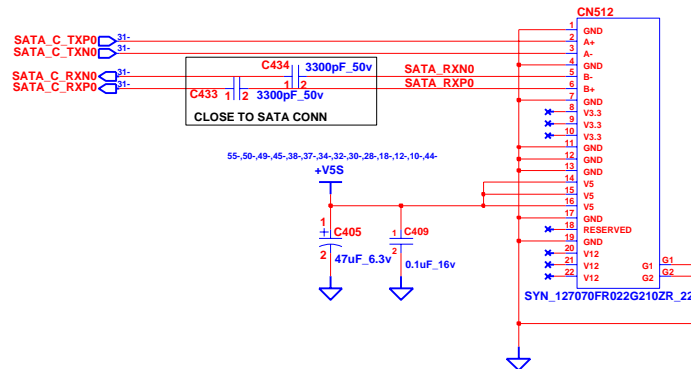
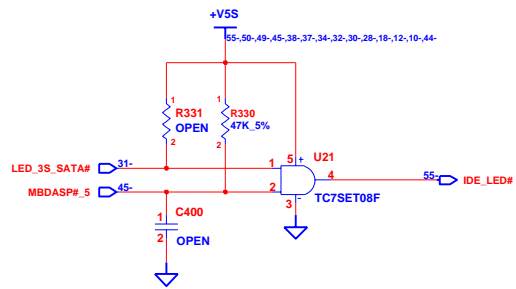
INVENTEC

TITLE **Portland 10/10G
MINI CARD**

SIZE A3	CODE CS	DOC. NUMBER 1310A2076901	REV A02
-------------------	-------------------	------------------------------------	-------------------

CHANGE by *Drawer Name* 21-Jun-2006

SHEET 43 OF 68

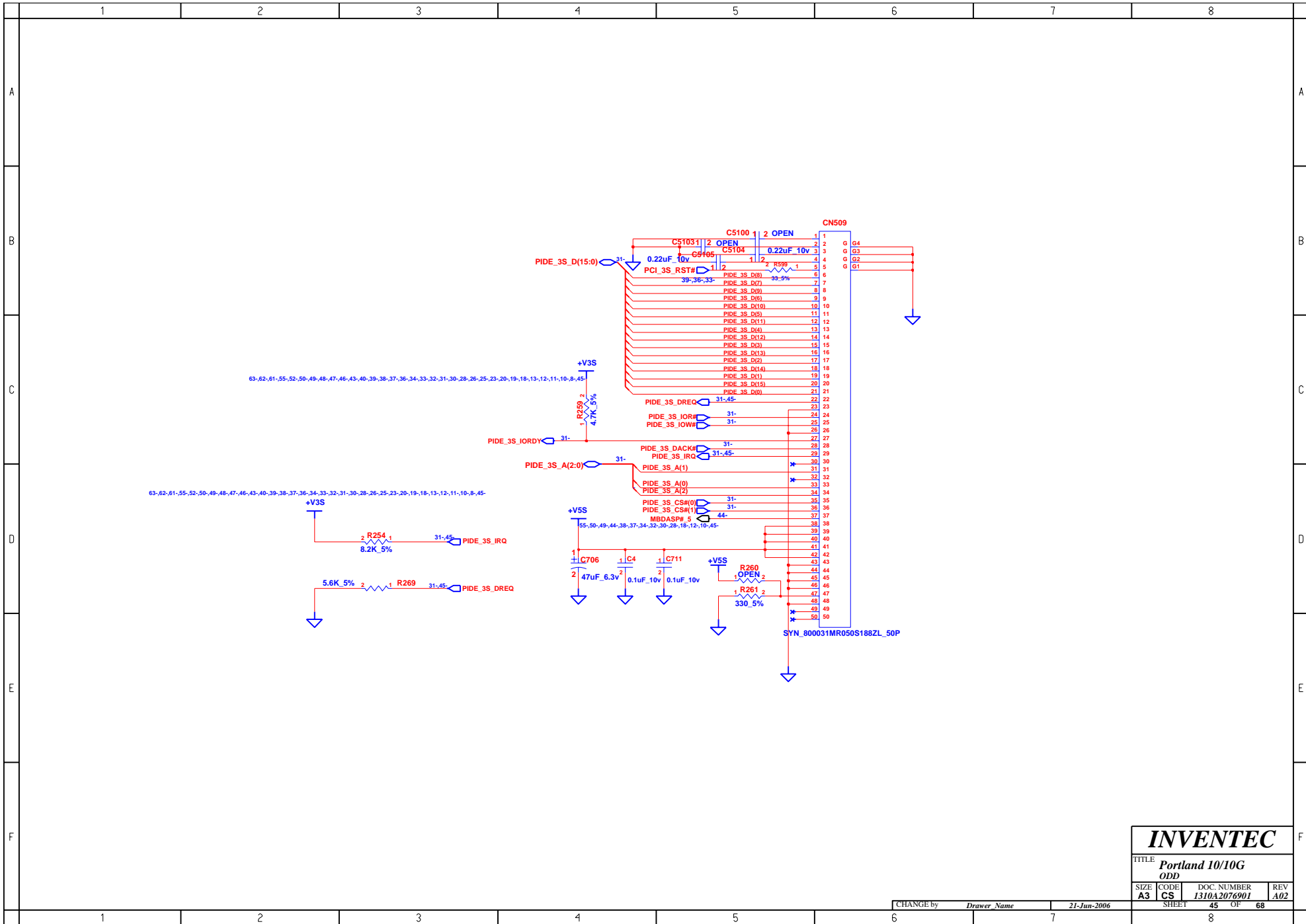


INVENTEC

TITLE			
Portland 10/10G			
3D SENSOR & SATA HDD CONN			
SIZE	CODE	DOC. NUMBER	REV
A3	CS	1310A2076901	A02

CHANGE by *Drawer Name* 21-Jun-2006

SHEET 44 OF 68

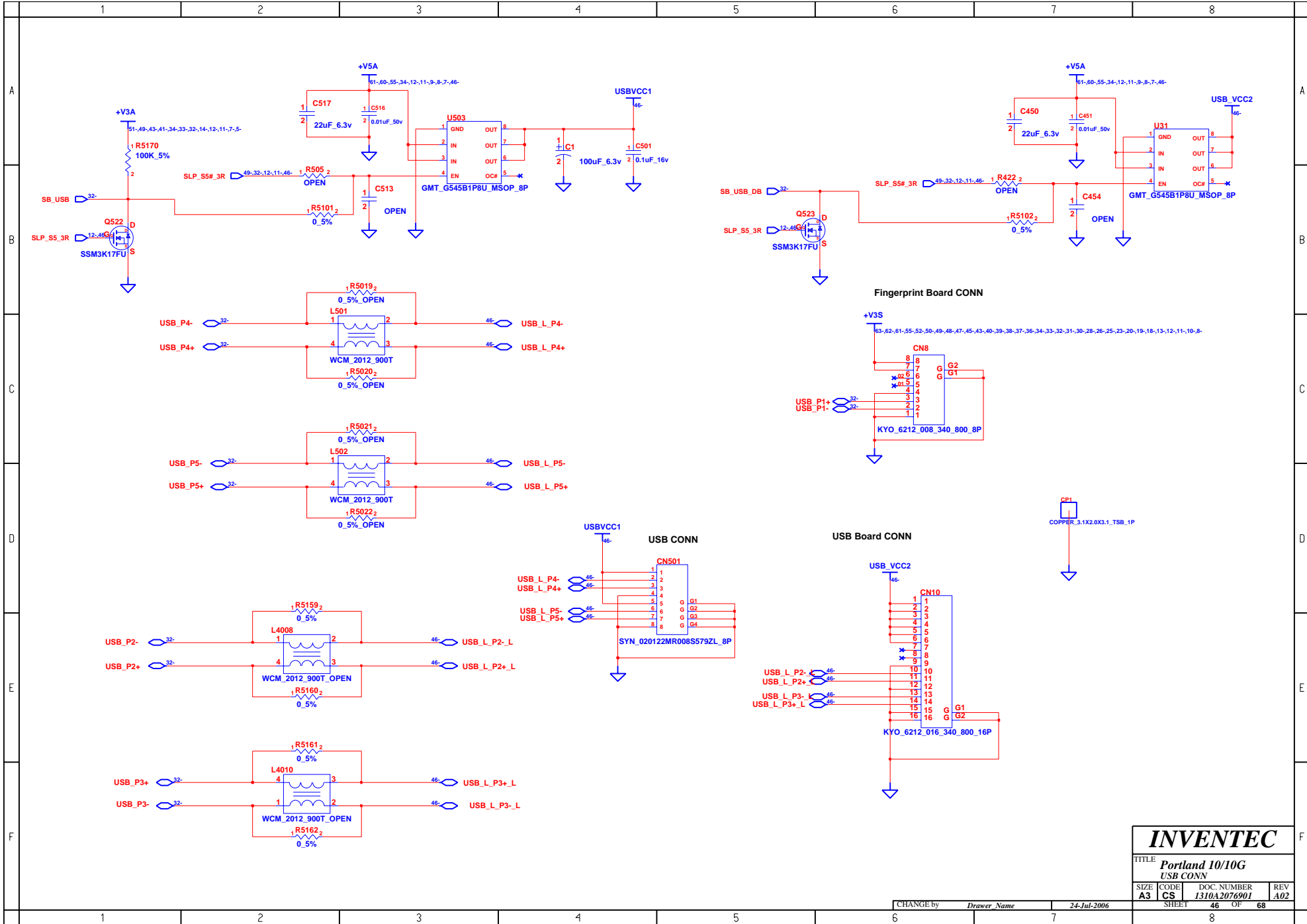


INVENTEC

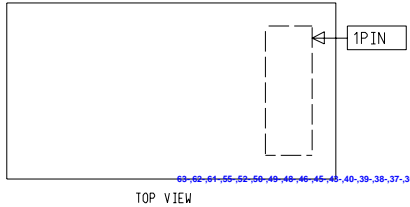
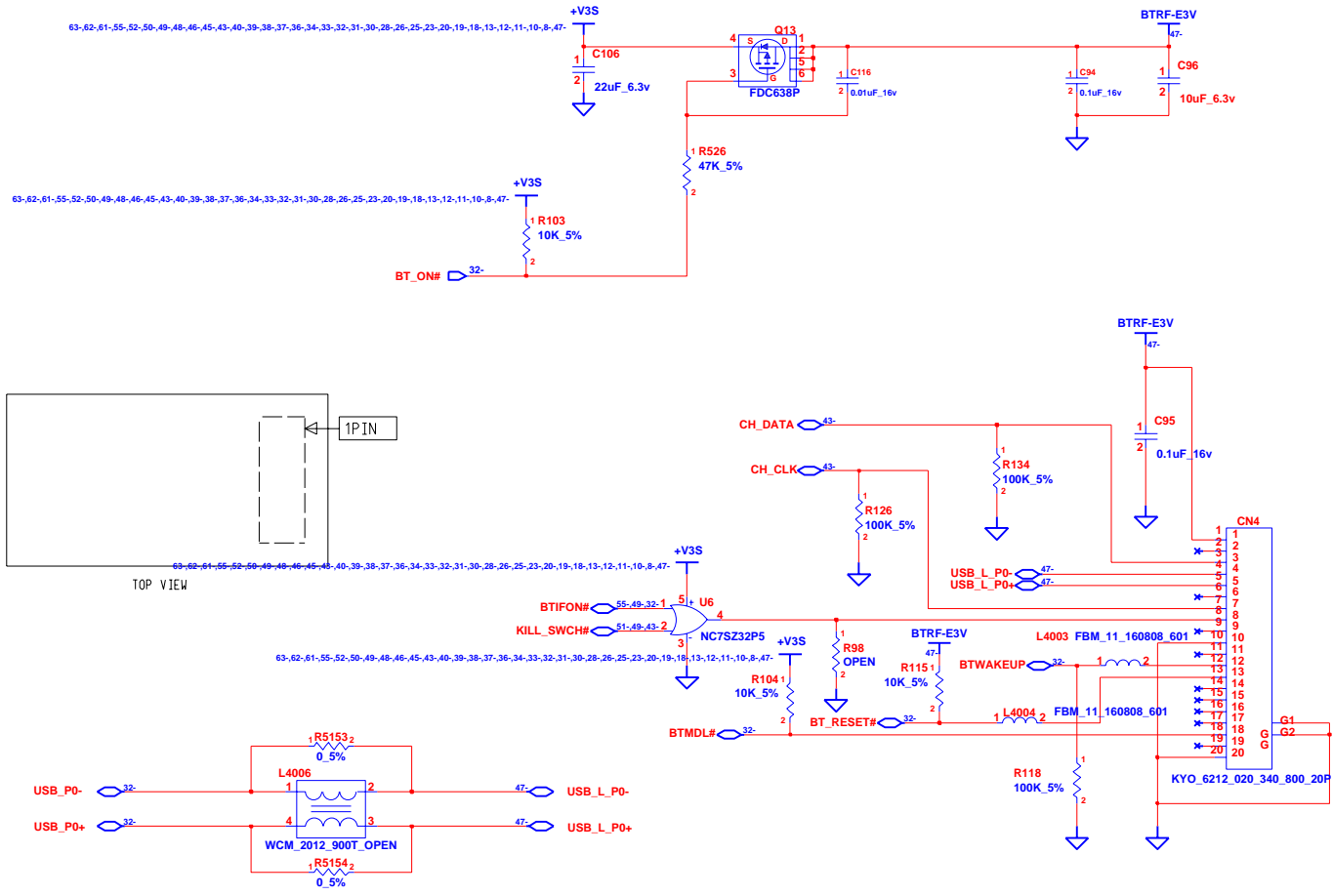
TITLE *Portland 10/10G*
ODD

SIZE	CODE	DOC. NUMBER	REV
A3	CS	1310A2076901	A02

CHANGE by *Drawer Name* 21-Jun-2006 SHEET 45 OF 68



INVENTEC			
TITLE Portland 10/10G USB CONN			
SIZE A3	CODE CS	DOC. NUMBER 1310A2076901	REV A02
CHANGE by <i>Drawer Name</i>		24-Jul-2006	
SHEET 46		OF 68	



BTMDL #

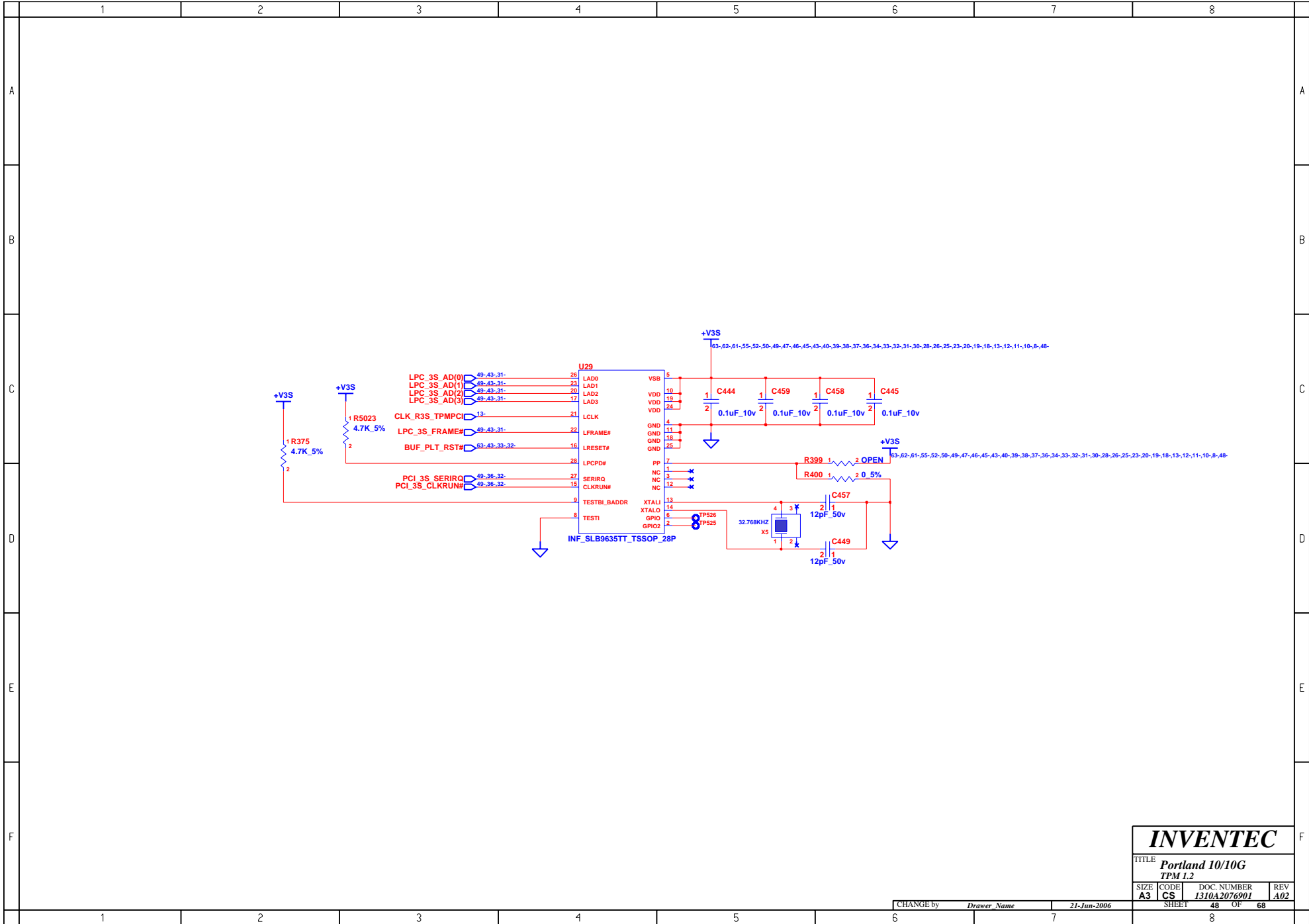
L	HAVE BLUETHOOTH MODULE
H	NO BLUETHOOTH MODULE

INVENTEC

TITLE
**Portland 10/10G
 BLUETOOTH**

SIZE A3	CODE CS	DOC. NUMBER 1310A2076901	REV A02
-------------------	-------------------	------------------------------------	-------------------

CHANGE by	Drawer Name	21-Jun-2006	SHEET 47 OF 68
-----------	-------------	-------------	----------------



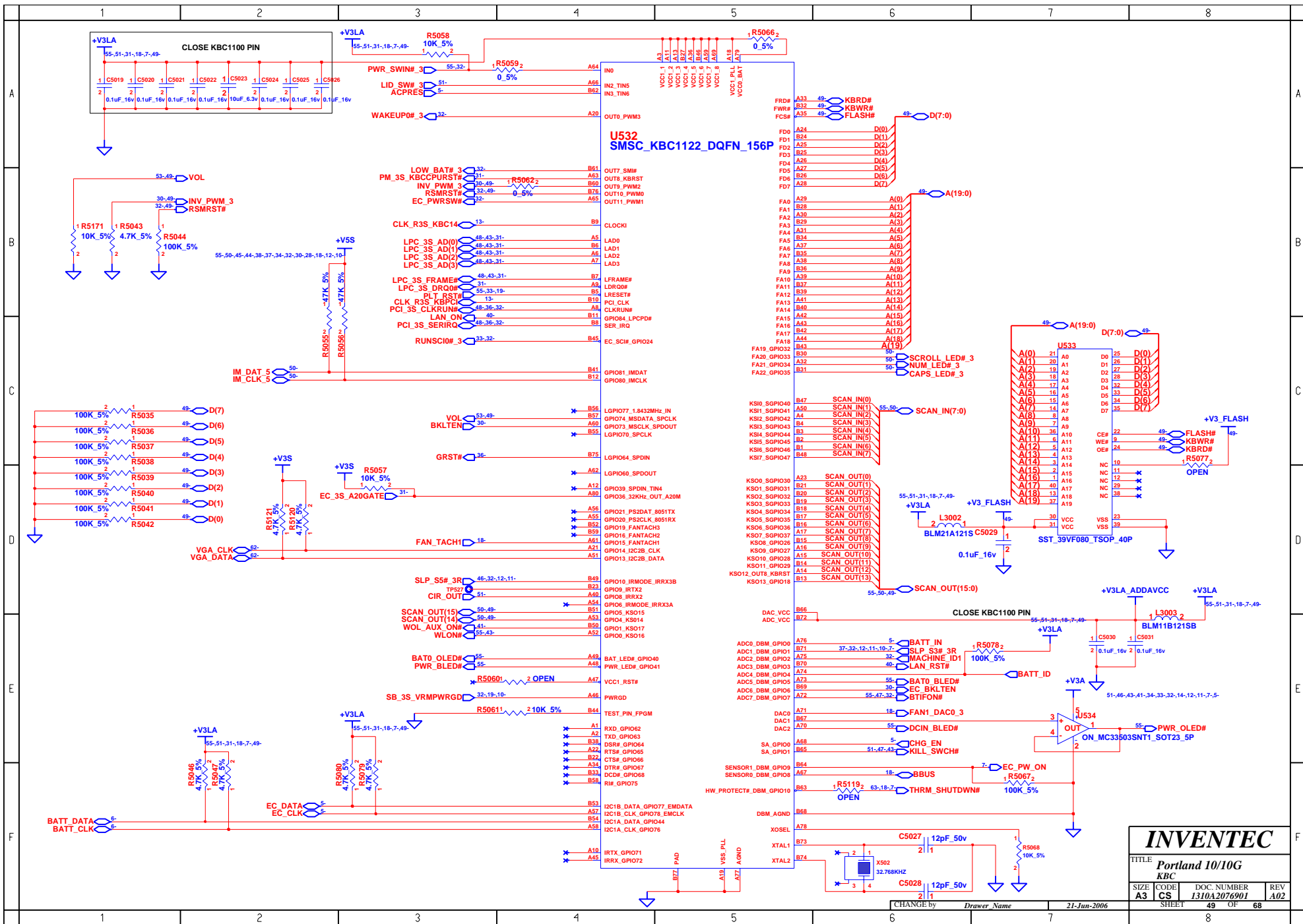
INVENTEC

TITLE
 Portland 10/10G
 TPM 1.2

SIZE A3	CODE CS	DOC. NUMBER 1310A2076901	REV A02
------------	------------	-----------------------------	------------

CHANGE by *Drawer Name* 21-Jun-2006

SHEET 48 OF 68

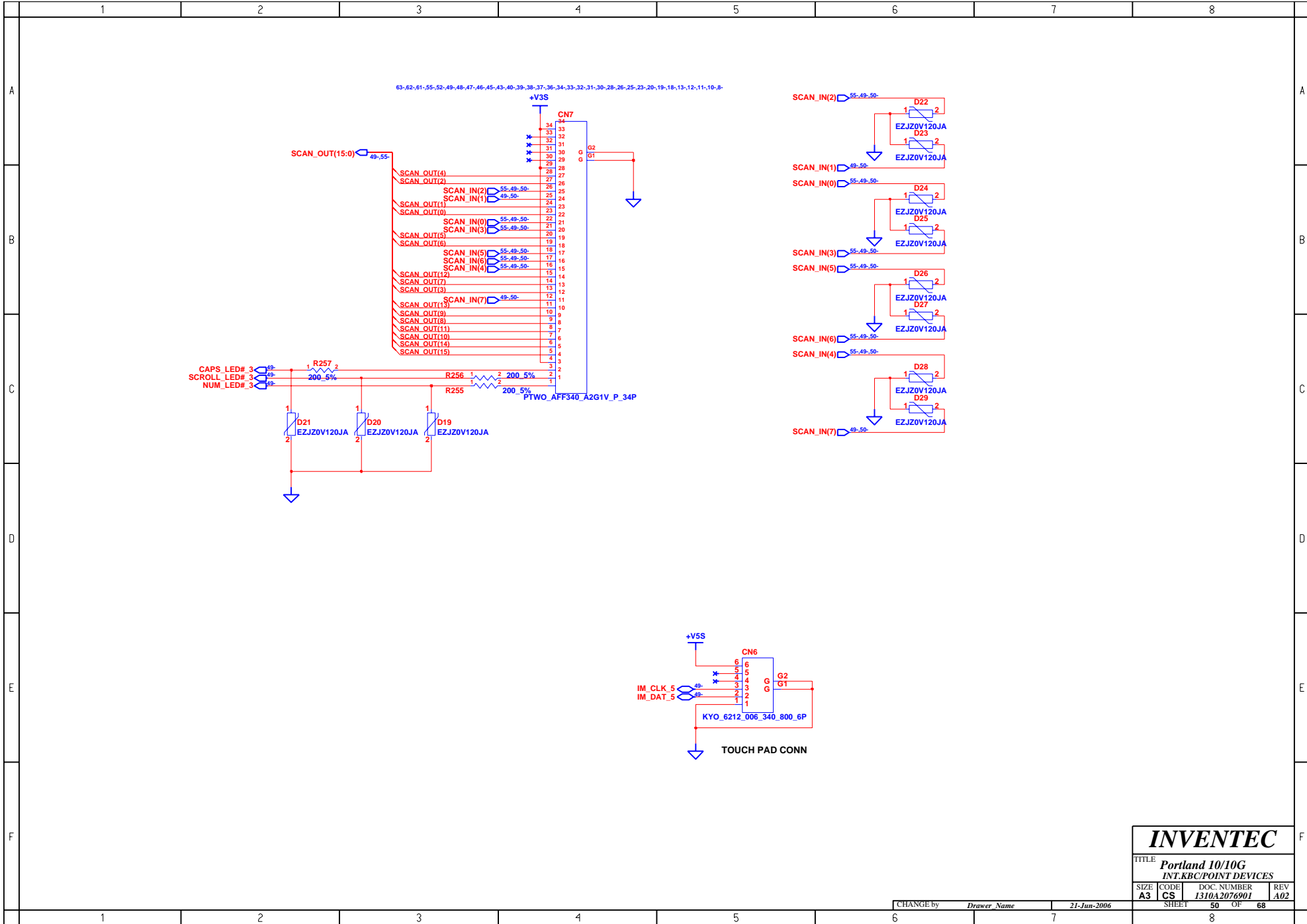


INVENTEC

TITLE: **Portland 10/10G KBC**

SIZE	CODE	DOC. NUMBER	REV
A3	CS	1310A2076901	A02

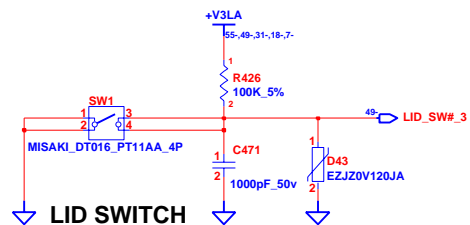
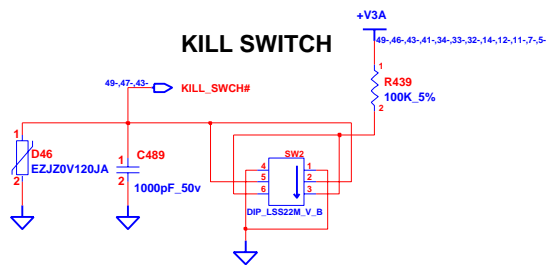
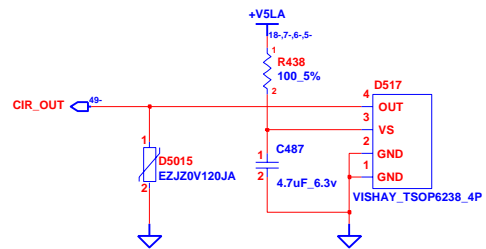
SHEET 49 OF 68



INVENTEC

TITLE **Portland 10/10G**
INT.KBC/POINT DEVICES

SIZE A3	CODE CS	DOC. NUMBER 1310A2076901	REV A02
----------------	----------------	---------------------------------	----------------



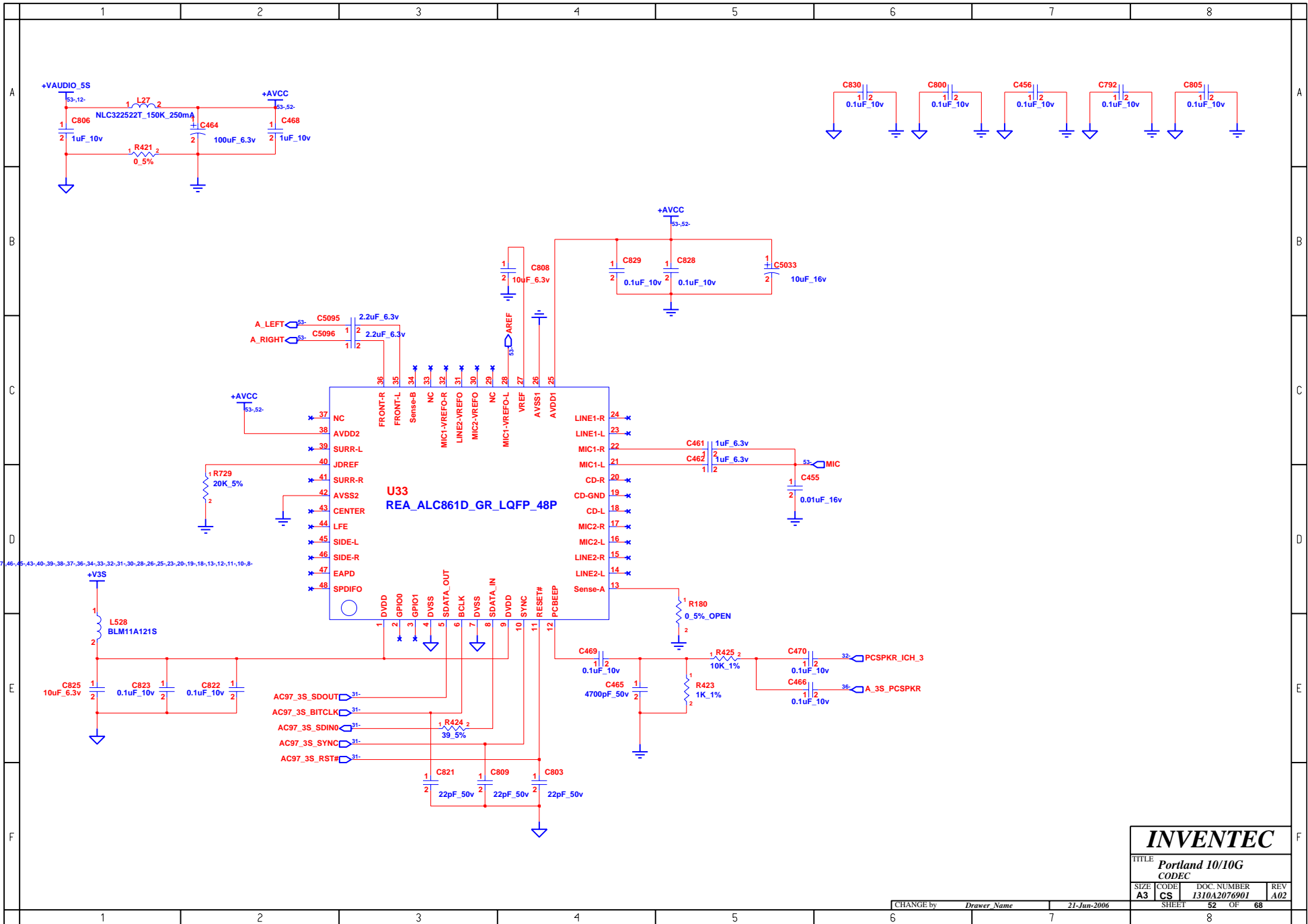
INVENTEC

TITLE
**Portland 10/10G
 CIR & FIR**

SIZE A3	CODE CS	DOC. NUMBER 1310A2076901	REV A02
-------------------	-------------------	------------------------------------	-------------------

CHANGE by *Drawer Name* 17-Jul-2006

SHEET 51 OF 68



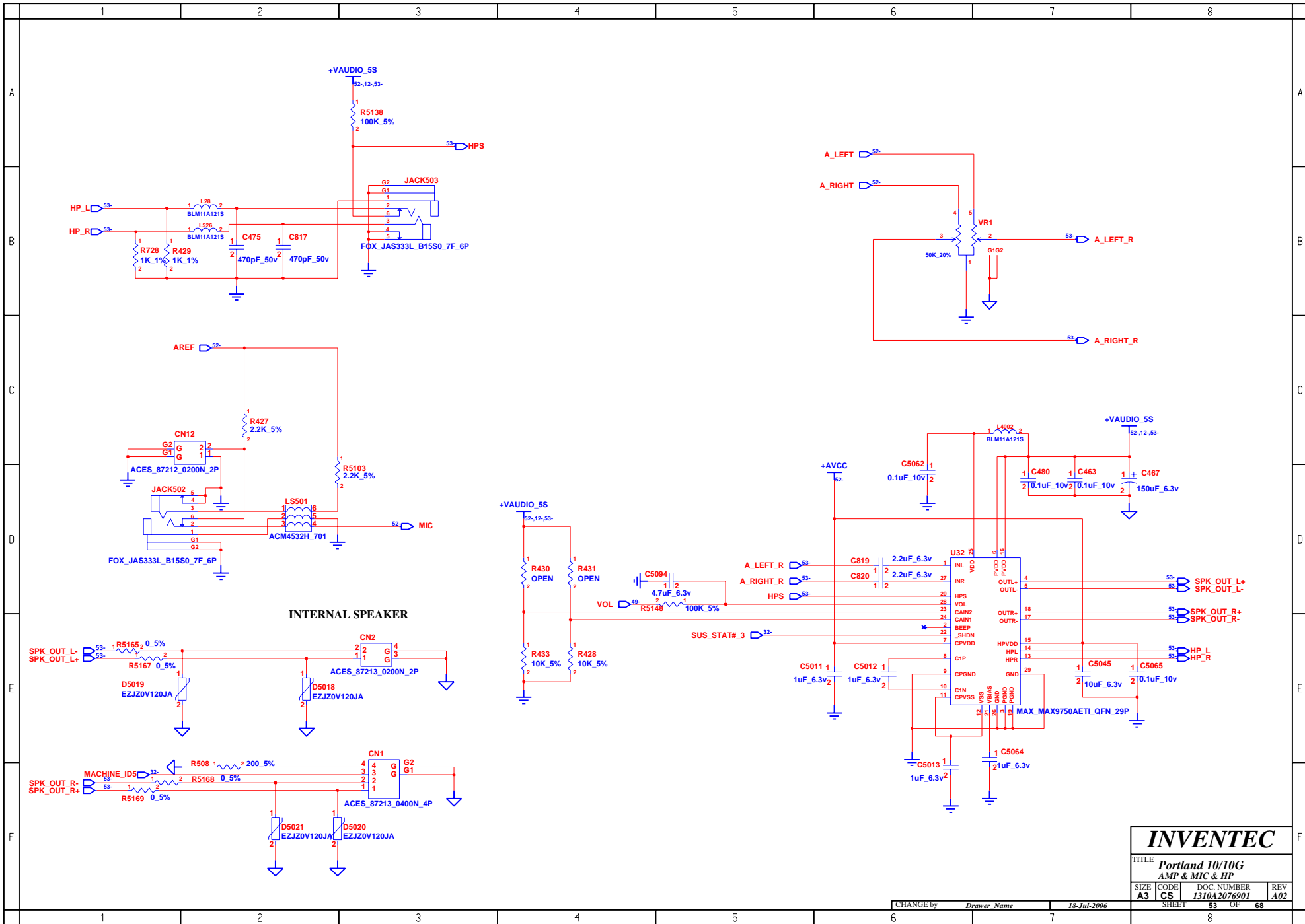
63-62-61-55-50-49-48-47 46-45-43-40-39-38-37-36-34-33-32-31-30-28-26-25-23-20-19-18-13-12-11-10-8-

INVENTEC
 TITLE *Portland 10/10G CODEC*

SIZE	CODE	DOC. NUMBER	REV
A3	CS	1310A2076901	A02

CHANGE by *Drawer Name* 21-Jun-2006

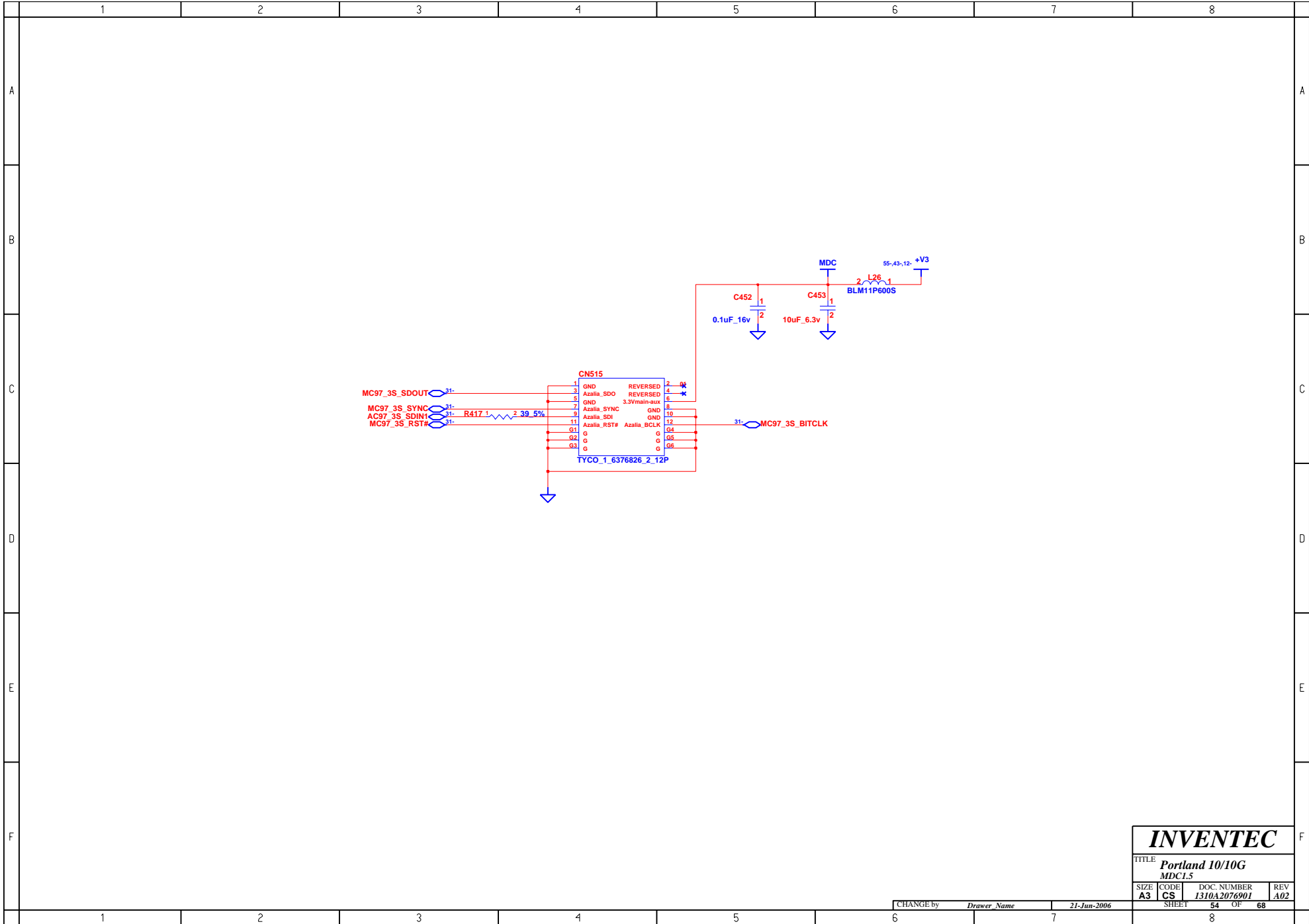
SHEET	OF	68
52		



INVENTEC

TITLE
**Portland 10/10G
 AMP & MIC & HP**

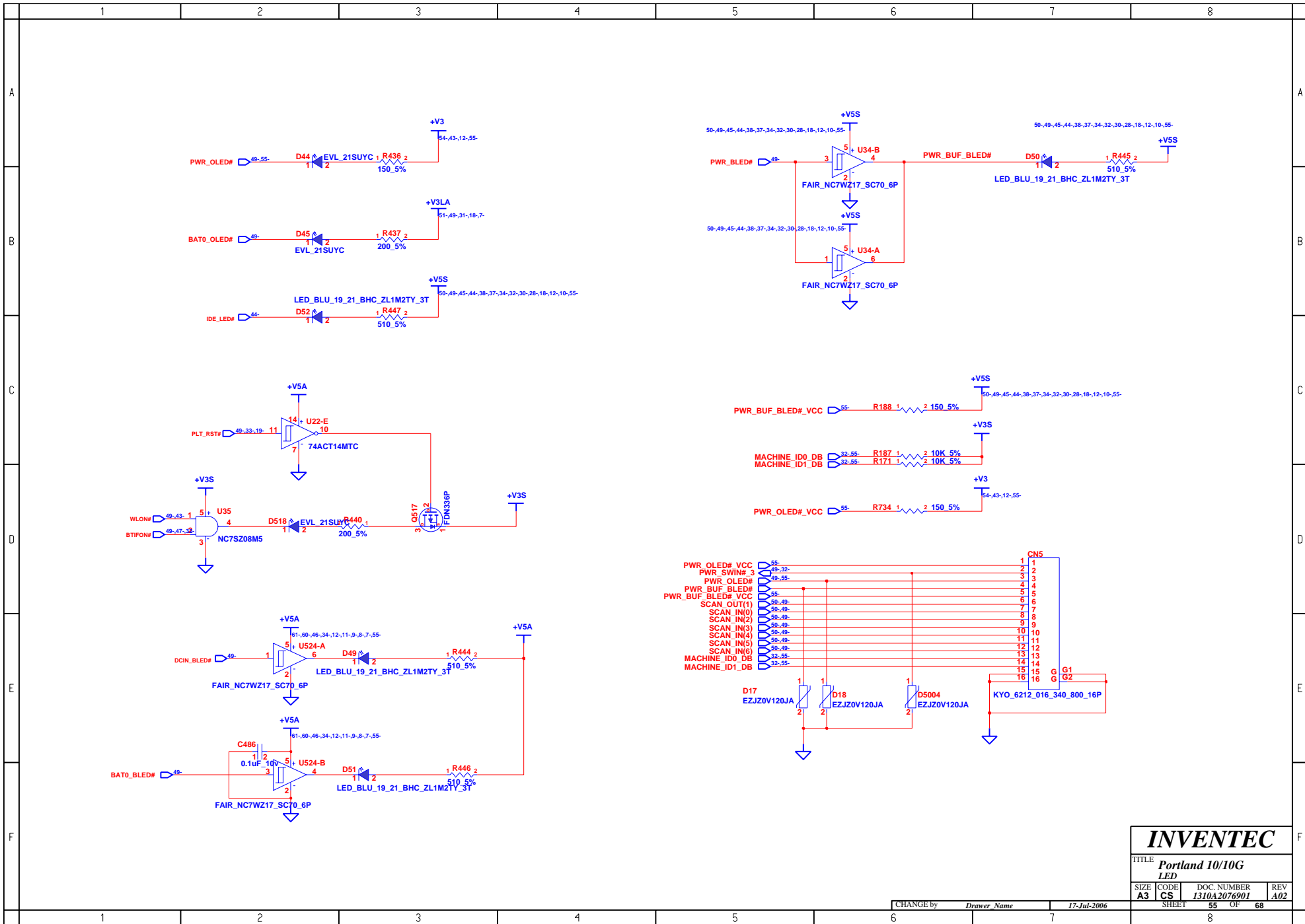
SIZE	CODE	DOC. NUMBER	REV
A3	CS	1310A2076901	A02



INVENTEC

TITLE **Portland 10/10G**
MDC1.5

SIZE	CODE	DOC. NUMBER	REV
A3	CS	1310A2076901	A02



INVENTEC

TITLE
**Portland 10/10G
 LED**

SIZE A3	CODE CS	DOC. NUMBER 1310A2076901	REV A02
-------------------	-------------------	------------------------------------	-------------------

CHANGE by *Drawer Name* 17-Jul-2006

SHEET 55 OF 68

1 2 3 4 5 6 7 8

A

B

C

D

E

F

A

B

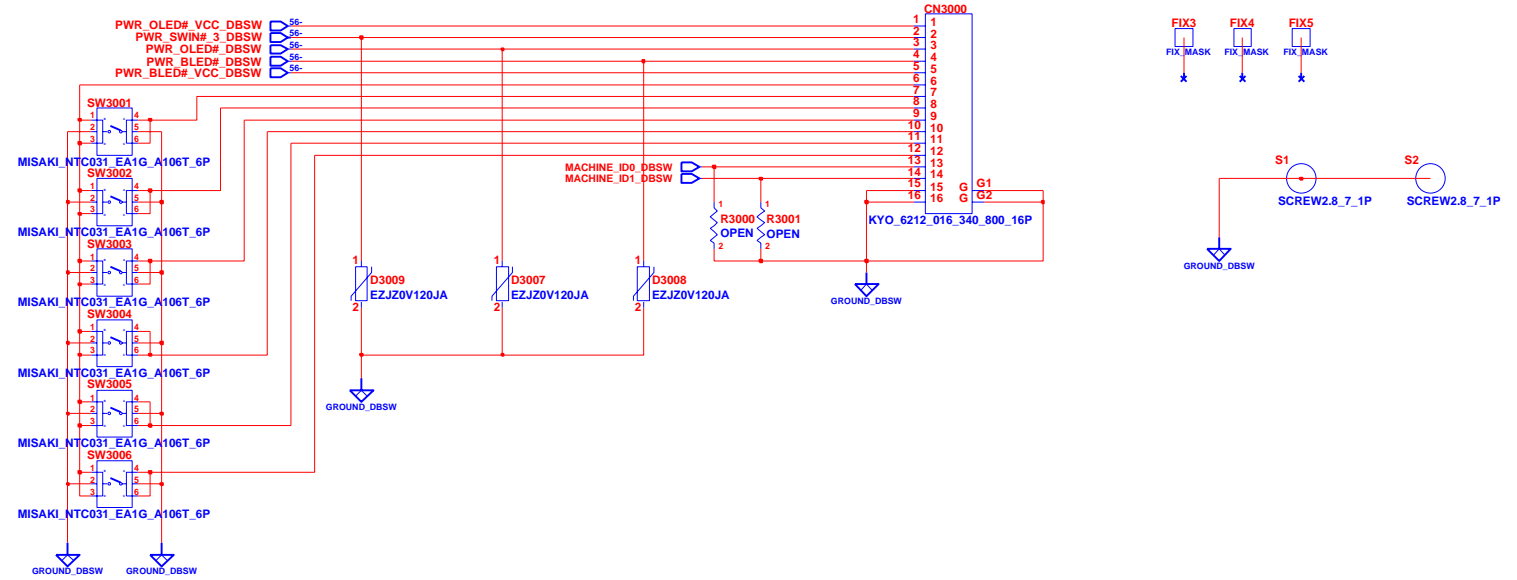
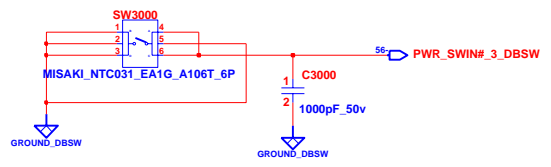
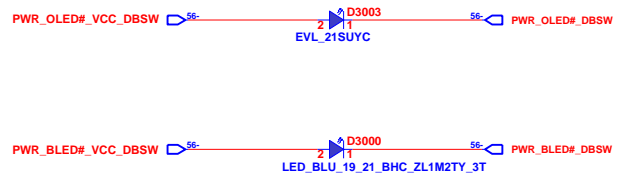
C

D

E

F

POWER SWITCH

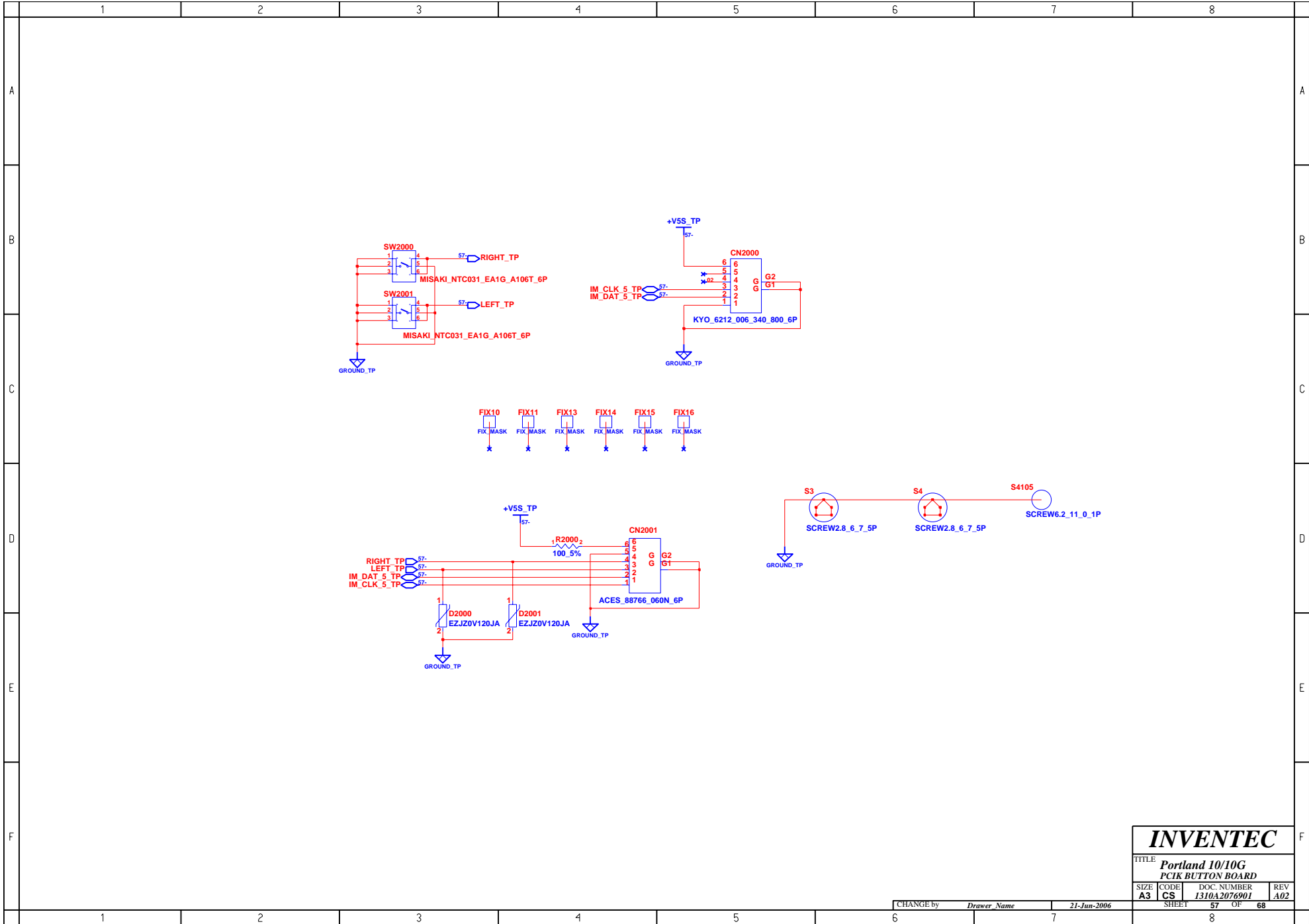


INVENTEC

TITLE			
Portland 10/10G LED BOARD / CNN			
SIZE	CODE	DOC. NUMBER	REV
A3	CS	1310A2076901	A02

CHANGE by	Drawer Name	28-Jul-2006	SHEET	56	OF	68
-----------	-------------	-------------	-------	----	----	----

1 2 3 4 5 6 7 8



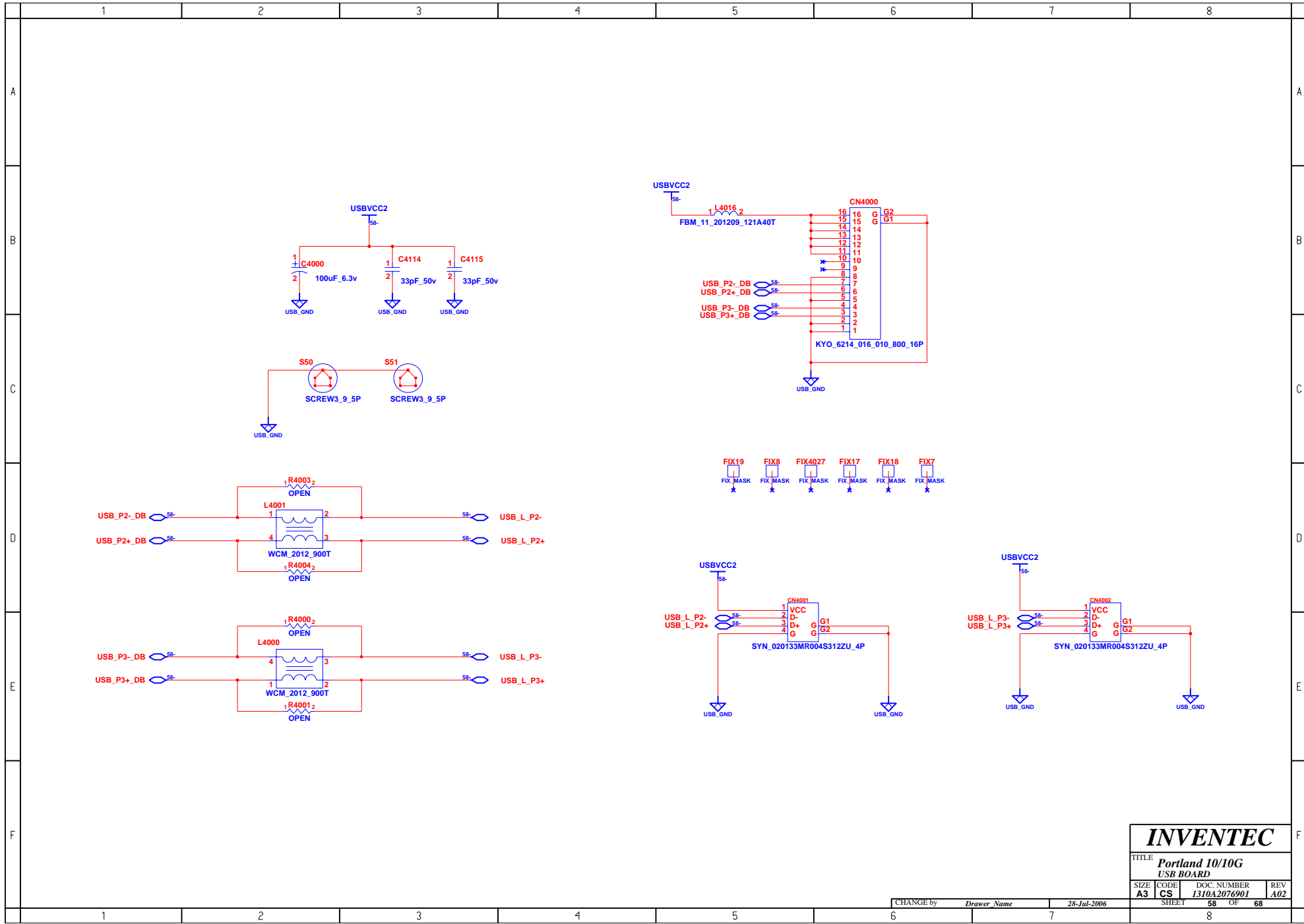
INVENTEC

TITLE: **Portland 10/10G
PCIe BUTTON BOARD**

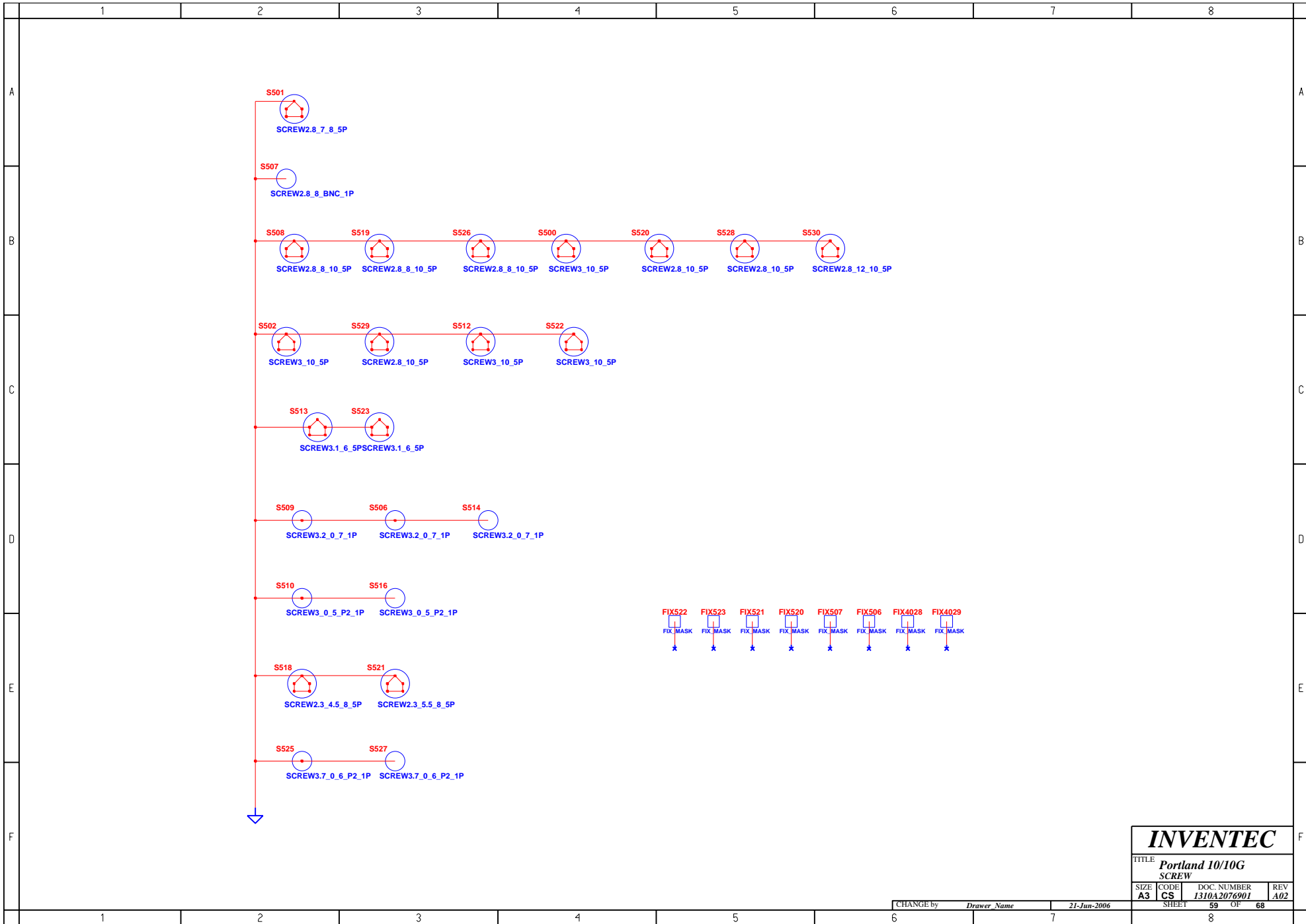
SIZE A3	CODE CS	DOC. NUMBER 1310A2076901	REV A02
-------------------	-------------------	------------------------------------	-------------------

CHANGE by *Drawer Name* 21-Jun-2006

SHEET 57 OF 68



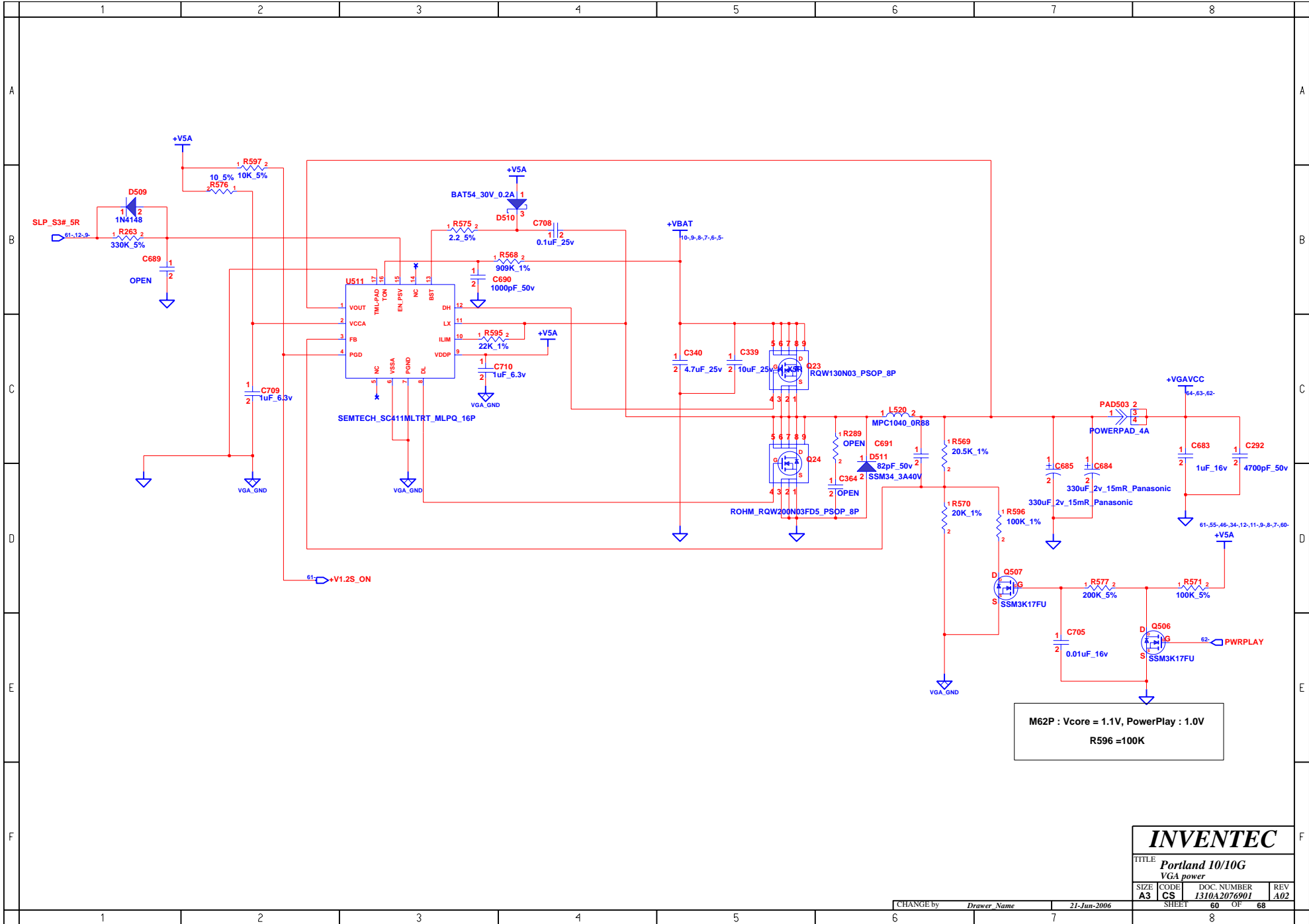
INVENTEC			
TITLE Portland 10/10G USB BOARD			
SIZE A3	CODE CS	DOC. NUMBER 1310A2076901	REV A02
CHANGE by <i>Drawer Name</i>		28-Jul-2006	SHEET 58 OF 68



INVENTEC

TITLE **Portland 10/10G**
SCREW

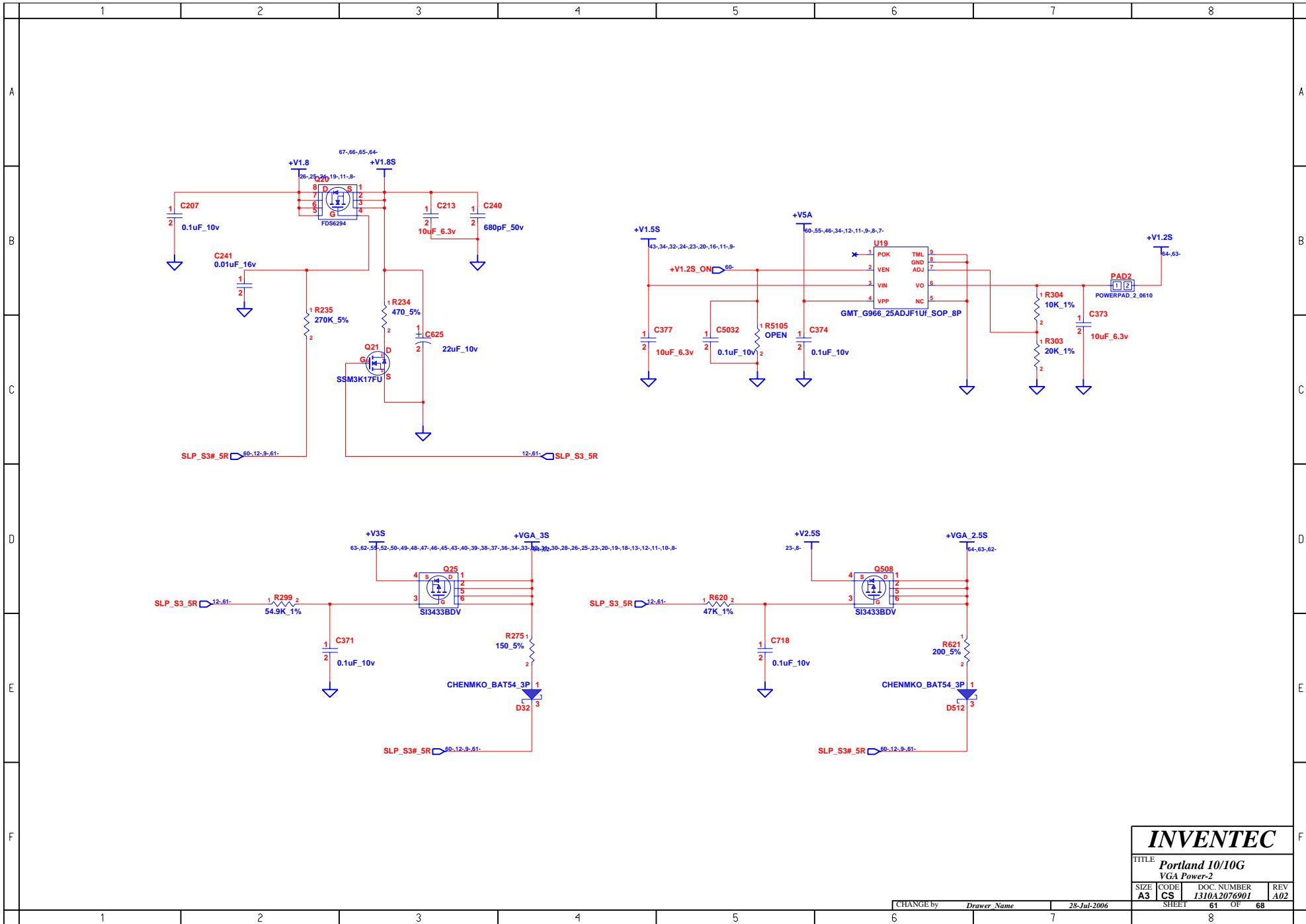
SIZE	CODE	DOC. NUMBER	REV
A3	CS	1310A2076901	A02



M62P : Vcore = 1.1V, PowerPlay : 1.0V
R596 = 100K

INVENTEC

TITLE			
Portland 10/10G			
VGA power			
SIZE	CODE	DOC. NUMBER	REV
A3	CS	1310A2076901	A02



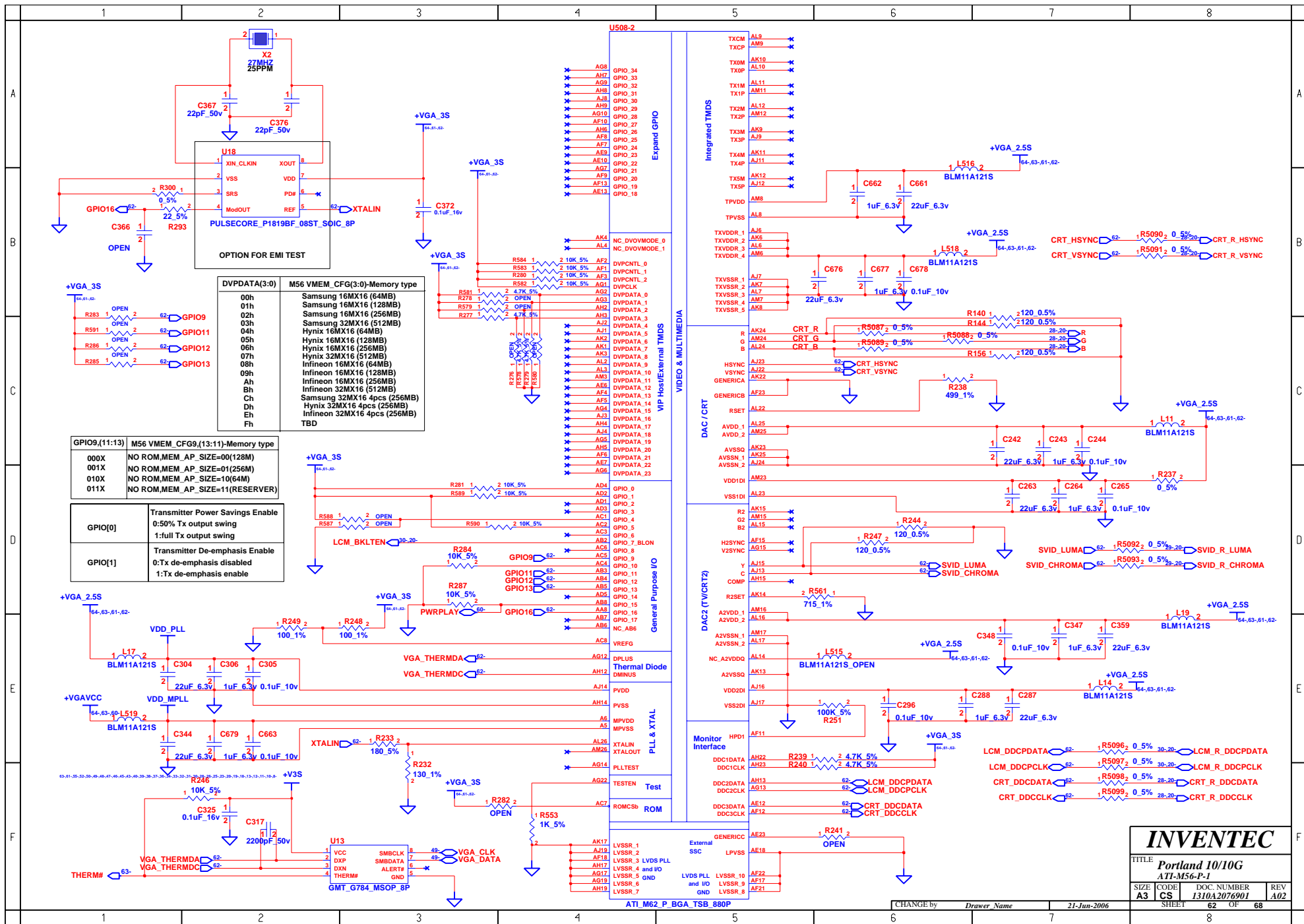
INVENTEC

TITLE
Portland 10/10G
 VGA Power-2

SIZE	CODE	DOC. NUMBER	REV
A3	CS	1310A2076901	A02

CHANGE by	Drawer Name	28-Jul-2006
-----------	-------------	-------------

SHEET	61	OF	68
-------	----	----	----



DVPDATA(3:0)	M56 VMEM_CFG(3:0)-Memory type
00h	Samsung 16MX16 (64MB)
01h	Samsung 16MX16 (128MB)
02h	Samsung 16MX16 (256MB)
03h	Samsung 32MX16 (512MB)
04h	Hynix 16MX16 (64MB)
05h	Hynix 16MX16 (128MB)
06h	Hynix 16MX16 (256MB)
07h	Hynix 32MX16 (512MB)
08h	Infineon 16MX16 (64MB)
09h	Infineon 16MX16 (128MB)
Ah	Infineon 16MX16 (256MB)
Bh	Infineon 32MX16 (512MB)
Ch	Samsung 32MX16 4pcs (256MB)
Dh	Hynix 32MX16 4pcs (256MB)
Eh	Infineon 32MX16 4pcs (256MB)
Fh	TBD

GPIO9,(11:13)	M56 VMEM_CFG9,(13:11)-Memory type
000X	NO ROM, MEM_AP_SIZE=00(128M)
001X	NO ROM, MEM_AP_SIZE=01(256M)
010X	NO ROM, MEM_AP_SIZE=10(64M)
011X	NO ROM, MEM_AP_SIZE=11(RESERVER)

GPIO[0]	Transmitter Power Savings Enable
0:50% Tx output swing	1:full Tx output swing

GPIO[1]	Transmitter De-emphasis Enable
0:Tx de-emphasis disabled	1:Tx de-emphasis enable

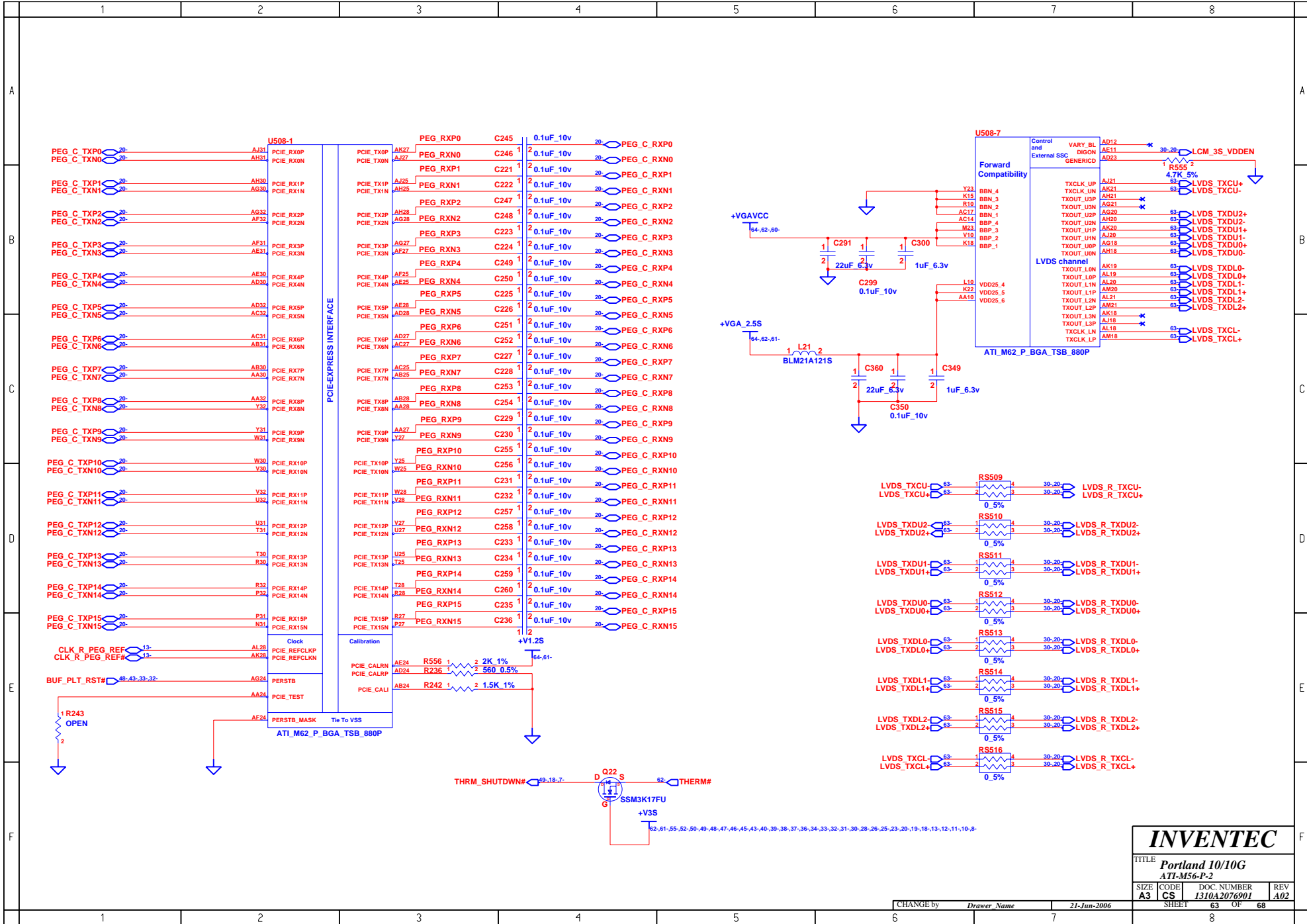
INVENTEC

TITLE: **Portland 10/10G**
ATI-M56-P-1

SIZE	CODE	DOC. NUMBER	REV
A3	CS	1310A2076901	A02

CHANGE by: *Drawer Name* 21-Jun-2006

SHEET 62 OF 68



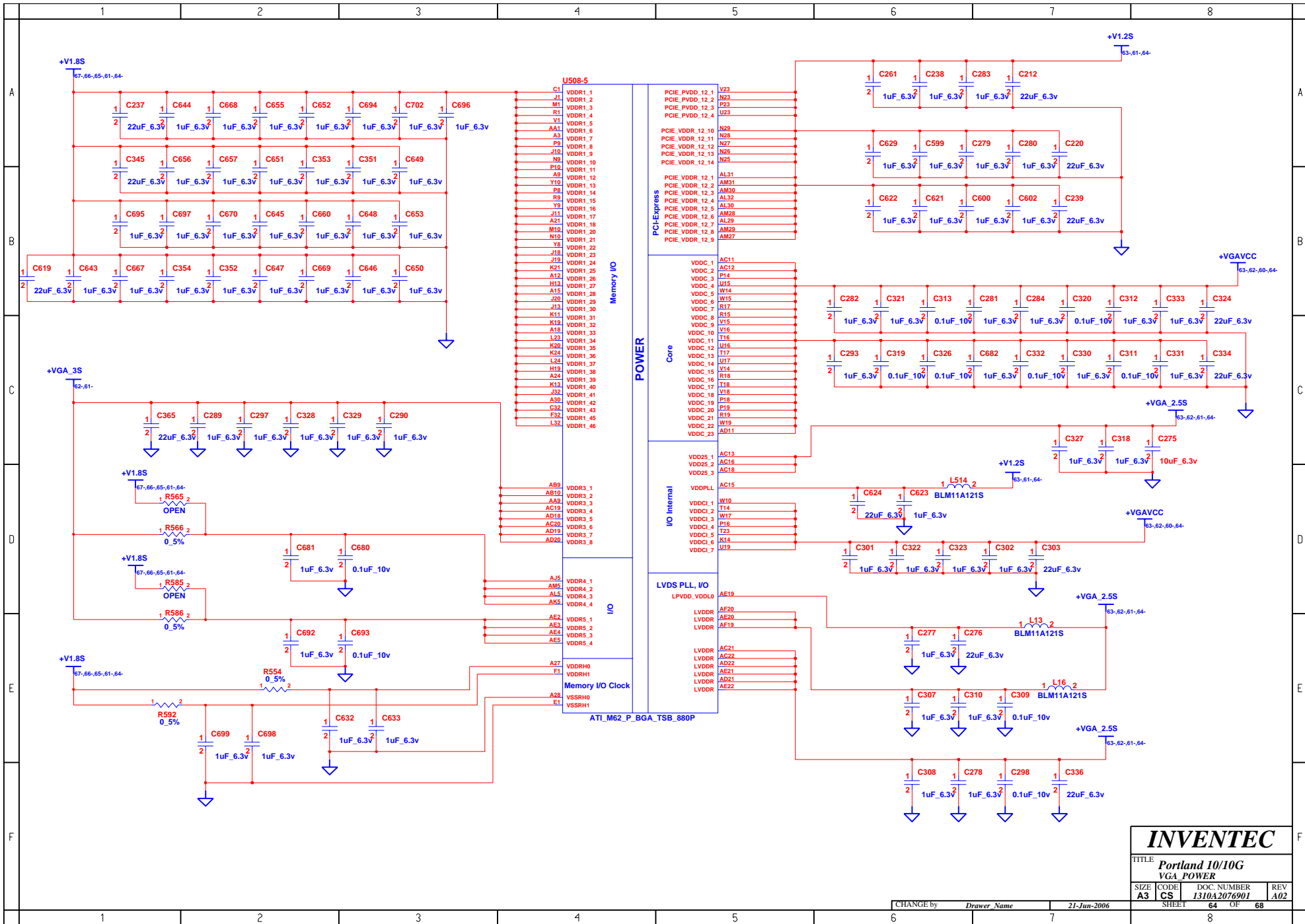
INVENTEC

TITLE
Portland 10/10G
ATI-M56-P-2

SIZE	CODE	DOC. NUMBER	REV
A3	CS	1310A2076901	A02

CHANGE by *Drawer Name* 21-Jun-2006

SHEET 63 OF 68



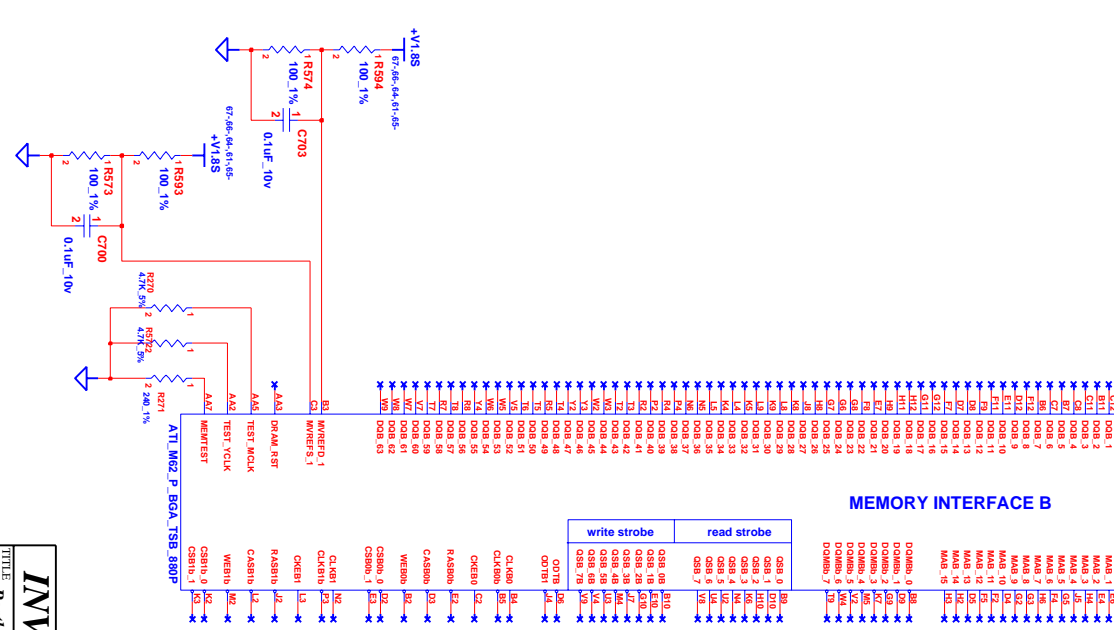
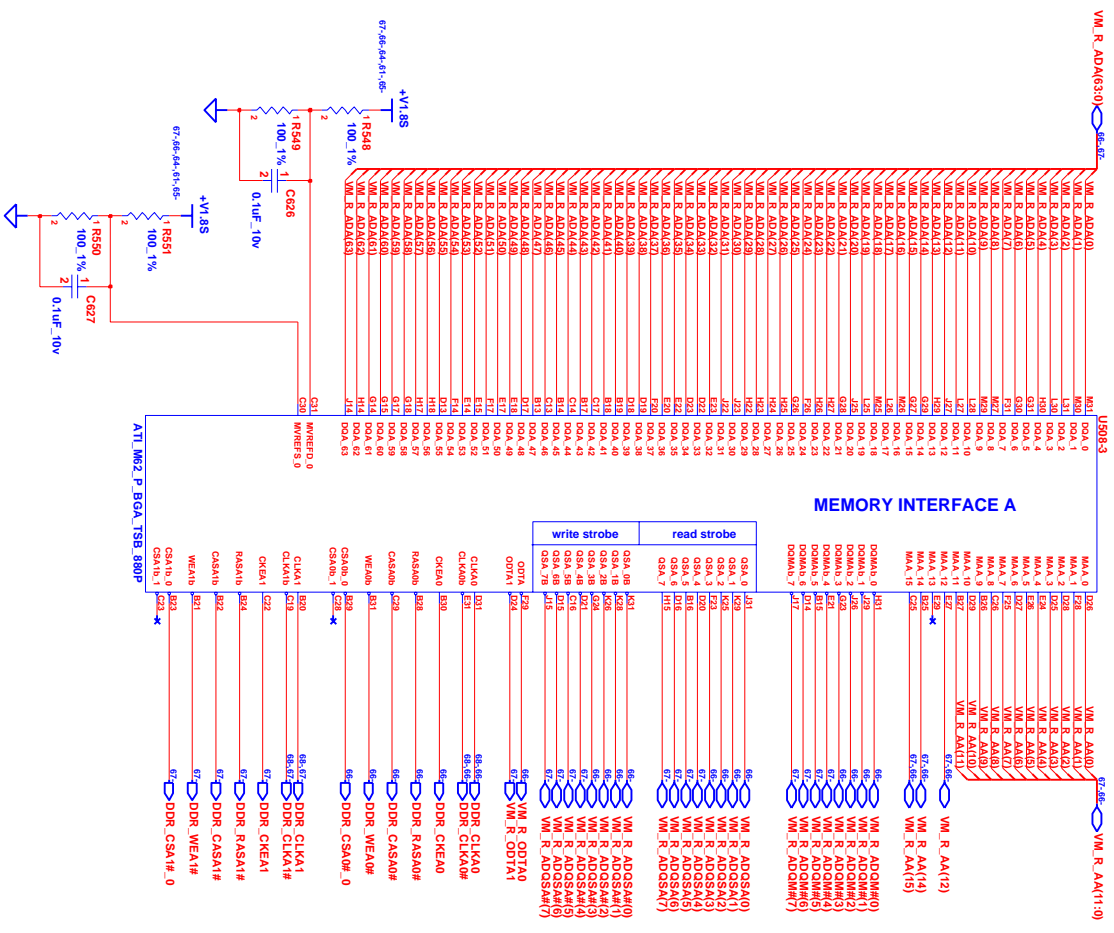
INVENTEC

TITLE
Portland 10/10G
VGA POWER

SIZE	CODE	DOC. NUMBER	REV
A3	CS	1310A2076901	A02

CHANGE by *Drawer Name* 21-Jun-2006

SHEET 64 OF 68



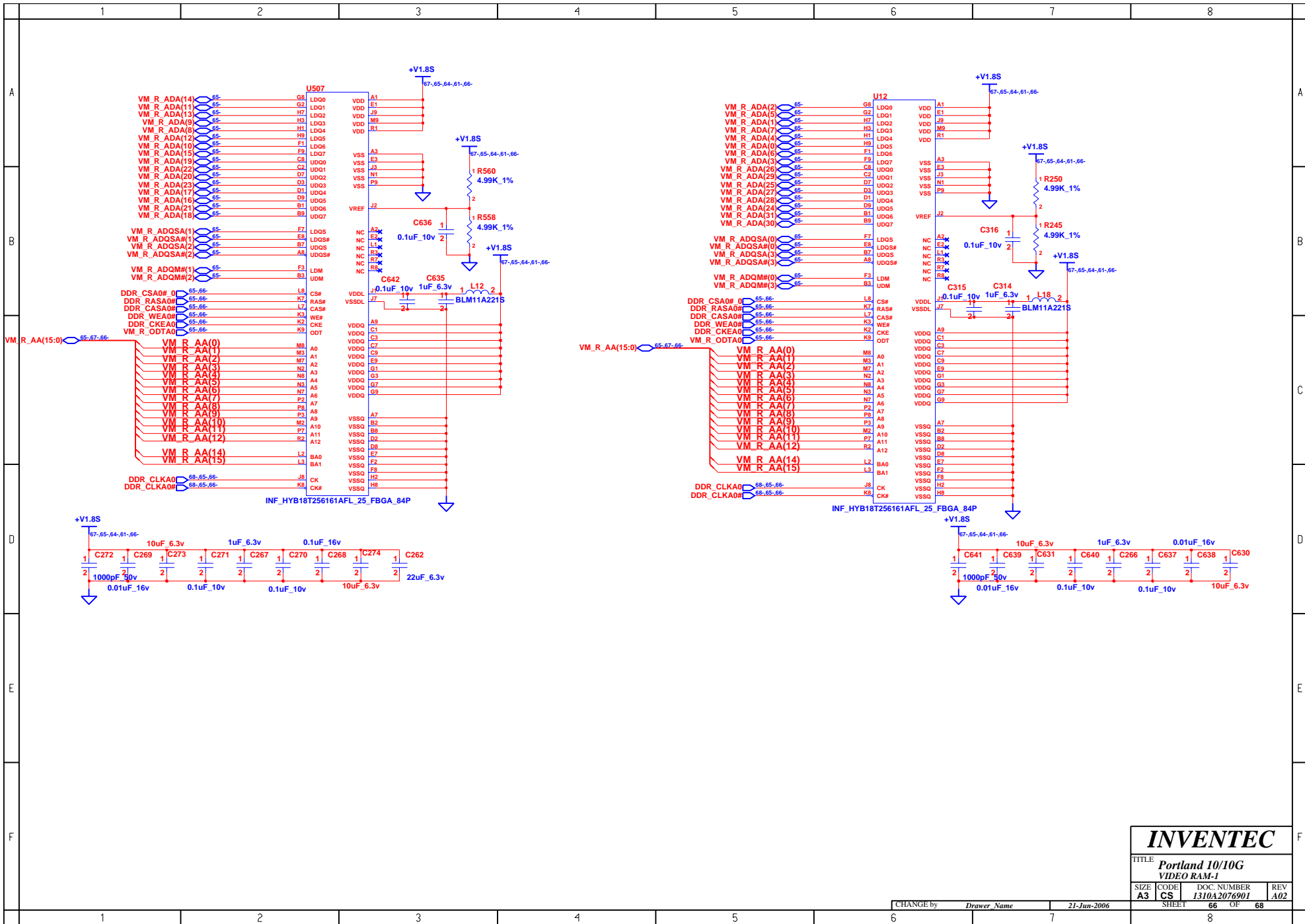
CHANGED BY: *Drawn Name* 21-Jan-2006

INVENTEC

Portland 10/10G

ATI-M56-P-4

SIZE	DOC. NUMBER	REV
A3	1310A207901	A02
SHEET	65	OF
		88



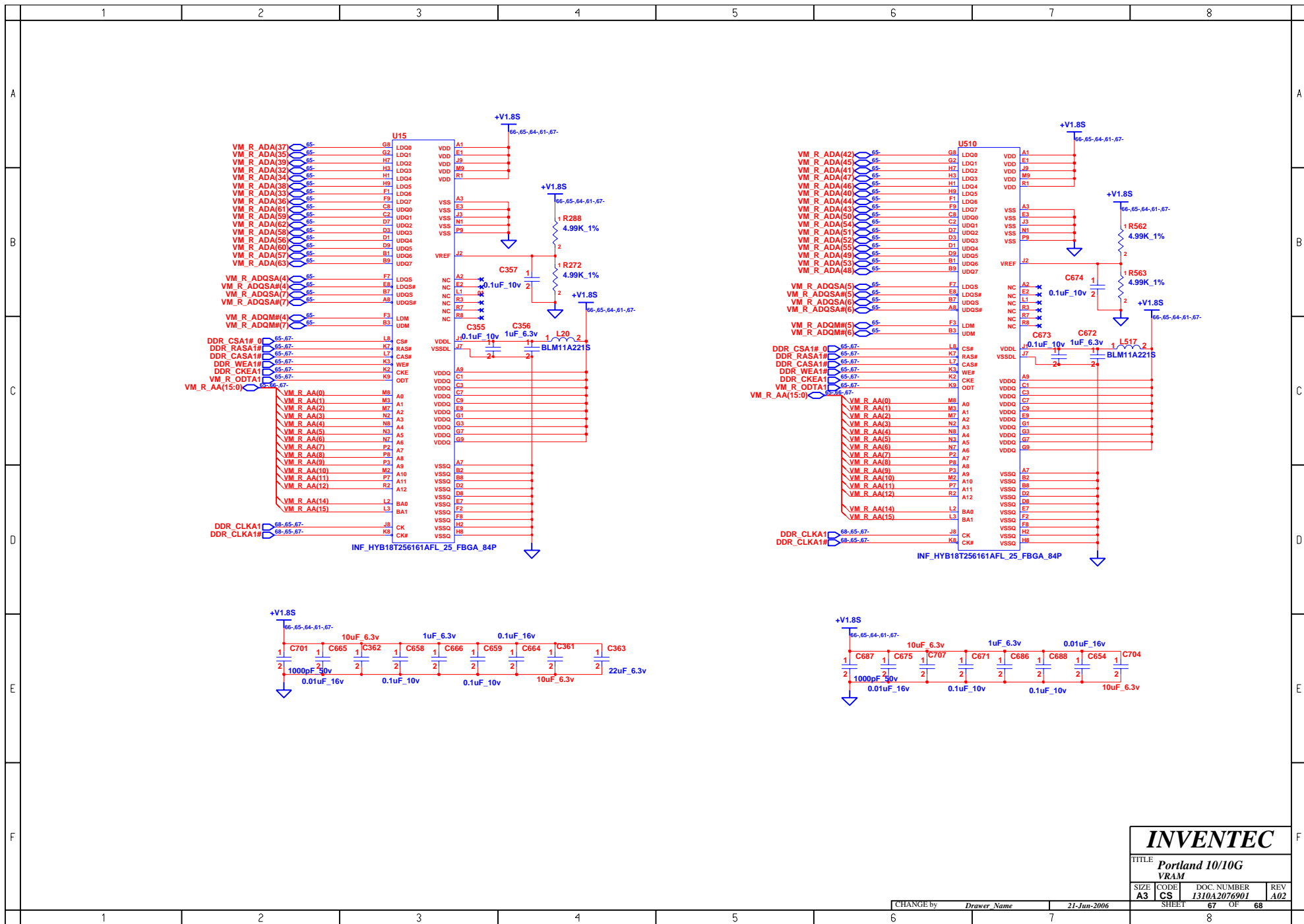
INVENTEC

TITLE
**Portland 10/10G
 VIDEO RAM-1**

SIZE	CODE	DOC. NUMBER	REV
A3	CS	1310A2076901	A02

CHANGE by *Drawer Name* 21-Jun-2006

SHEET 66 OF 68



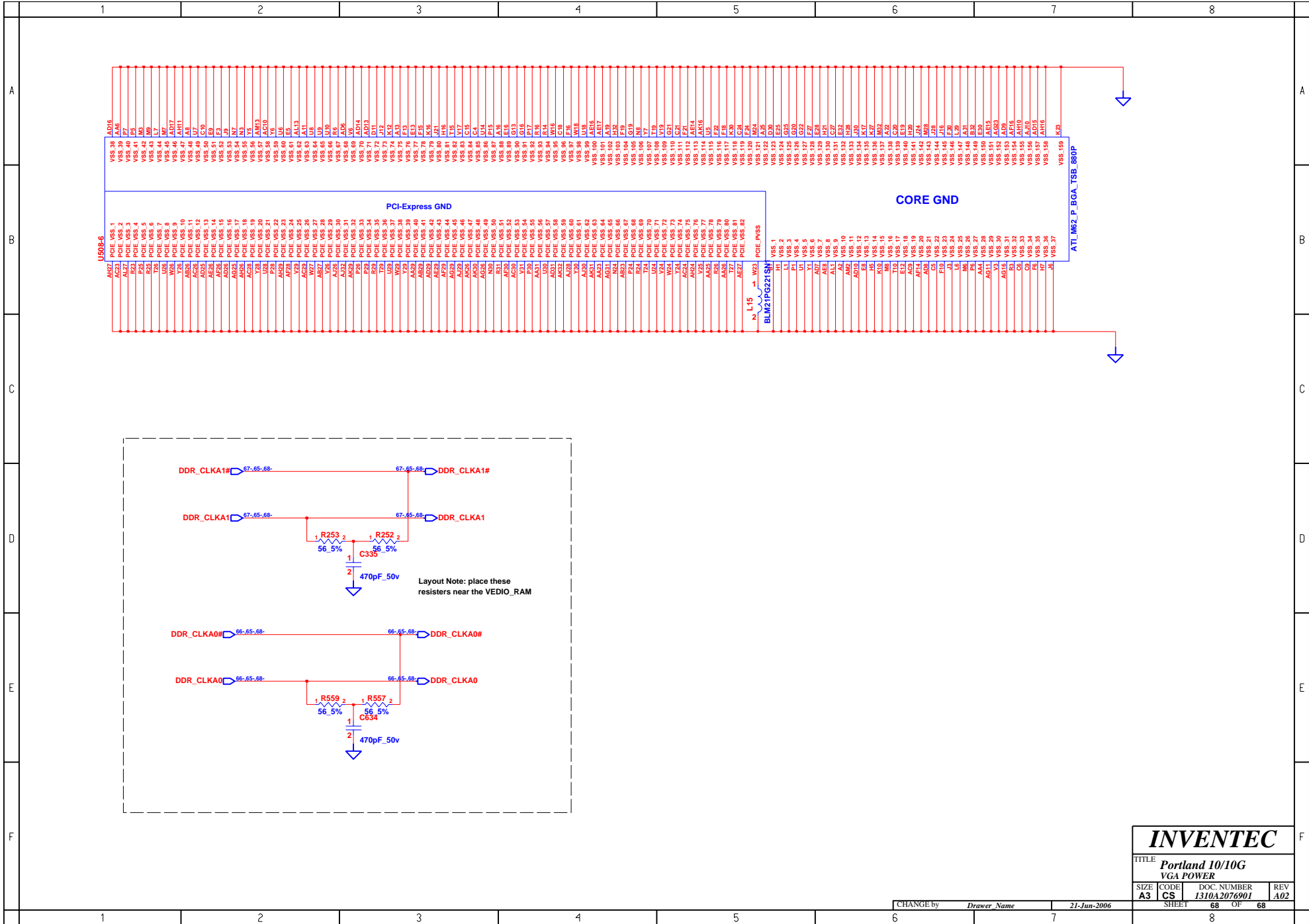
INVENTEC

TITLE **Portland 10/10G**
VRAM

SIZE	CODE	DOC. NUMBER	REV
A3	CS	1310A2076901	A02

CHANGE by *Drawer Name* 21-Jun-2006

SHEET 67 OF 68



INVENTEC			
TITLE Portland 10/10G VGA POWER			
SIZE A3	CODE CS	DOC. NUMBER 1310A2076901	REV A02
CHANGE by <i>Drawer Name</i>		21-Jun-2006	
SHEET		68	OF 68