

1 2 3 4 5 6 7 8

A

A

B

B

C

C

D

D

E

E

F

F

# VAIL

## SI2-BUILD-FINAL

2004.08.31

DATE	CHANGE NO.	REV

DRAWER	EE	DATE	POWER	DATE	<b>INVENTEC</b>			
DESIGN								
CHECK								
RESPONSIBLE								
TITLE					VAIL1.0			
SIZE =	3	VER :						
FILE NAME :	XXXX-XXXXXX-XX				SIZE	CODE	DOC. NUMBER	REV
P/N	XXXXXXXXXXXX				A3	CS	Model No	AX2
					SHEET	1	OF	67

1 2 3 4 5 6 7 8

**TABLE OF CONTENTS**

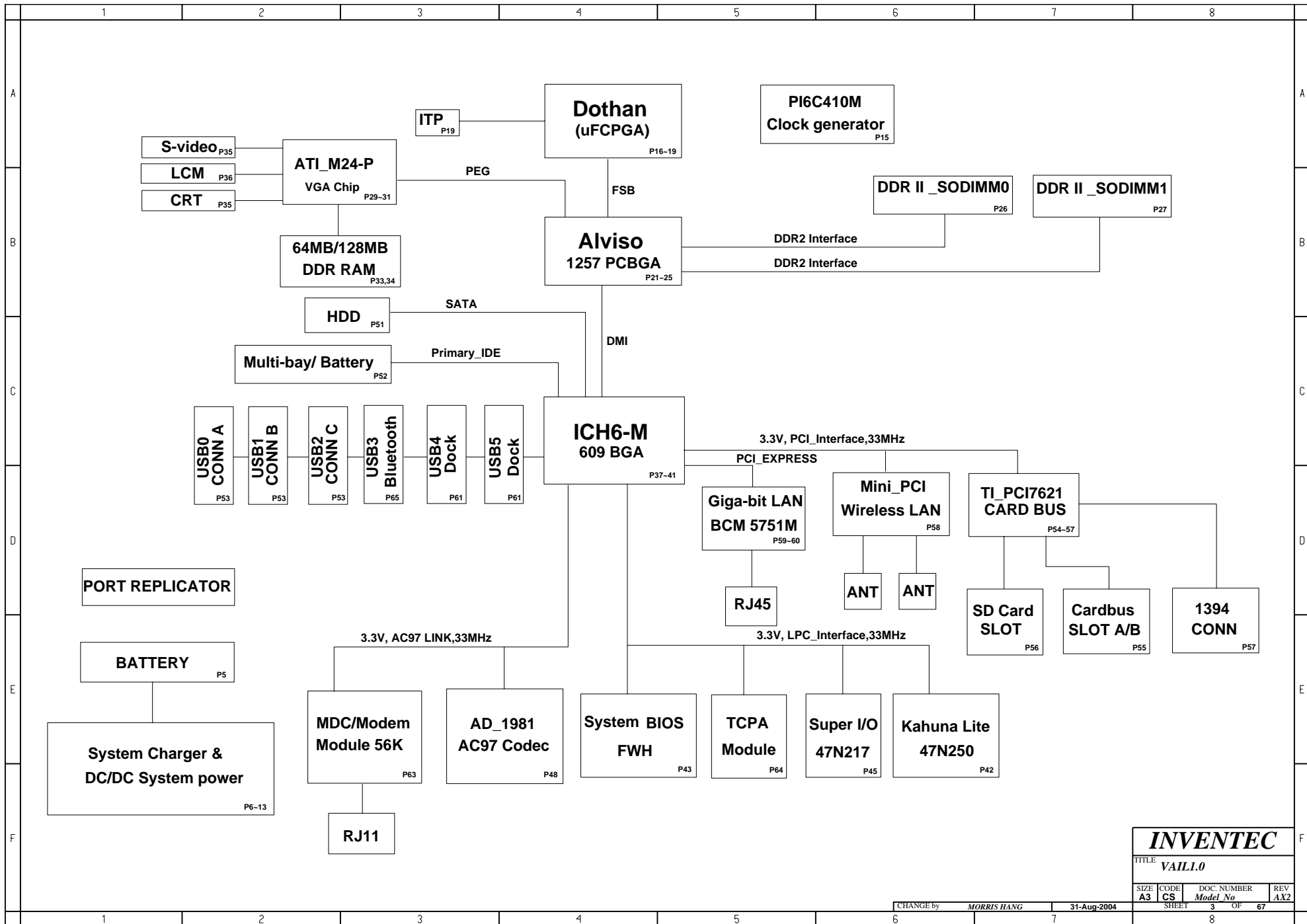
<p><b>PAGE</b></p> <p>5- DC&amp; BATTERY CHANGER</p> <p>6- SELECT &amp; BATTERY CONN</p> <p>7- SYSTEM POWER(3V/5V/12V)</p> <p>8- D/B SYSTEM POWER(V2.5S/V1.5A)</p> <p>9- SYSTEM POWER(VCCP/VGAVCC)</p> <p>10- D/B SYSTEM POWER(V1.8/V0.9S)</p> <p>11- CPU POWER(VCC_CORE)</p> <p>12- SYSTEM POWER (V1.2L)</p> <p>13- POWER(SLEEP)</p> <p>14- POWER(SEQUENCE)</p> <p>15- CLOCK_GENERATOR</p> <p>16- DOTHAN-1</p> <p>17- DOTHAN-2</p> <p>18- DOTHAN-3</p> <p>19- DOTHAN-4</p> <p>20- THERMAL&amp;FAN CONTROLLER</p> <p>21- ALVISO-1</p> <p>22- ALVISO-2</p> <p>23- ALVISO-3</p> <p>24- ALVISO-4</p> <p>25- ALVISO-5</p> <p>26- DDR2-DIMMO</p>	<p><b>PAGE</b></p> <p>27- DDR2-DIMM1</p> <p>28- DDR2-DAMPING</p> <p>29- ATI-M24-P-1</p> <p>30- ATI-M24-P-2</p> <p>31- ATI-M24-P-3</p> <p>32- VIDEO RAM DAMPING</p> <p>33- VIDEO RAM-1(FOR VAIL ONLY)</p> <p>34- VIDEO RAM-2</p> <p>35- CRT&amp; SVEDIO CONN</p> <p>36- LCD CONN</p> <p>37- ICH6-1</p> <p>38- ICH6-2</p> <p>39- ICH6-3</p> <p>40- ICH6-4</p> <p>41- ICH6-5</p> <p>42- KBC</p> <p>43- FWH</p> <p>44- INT.KBC/POINT DEVICES</p> <p>45- SUPER I/O</p> <p>46- SERIAL PORT</p> <p>47- MULTIBAY DUMMY BOARD</p> <p>48- AC97 CODEC</p> <p>49- EQ&amp;MIC JACK</p> <p>50- AUDIO AMP&amp;HP JACK</p>	<p><b>PAGE</b></p> <p>51- HDD CONN</p> <p>52- MULTIBAY CONN</p> <p>53- USB CONN</p> <p>54- CARDBUS CONTROLL</p> <p>55- PC CARD SLOT</p> <p>56- SD CARD CONN &amp; IR</p> <p>57- 1394 (FOR VAIL ONLY)</p> <p>58- MINIPCI CONN</p> <p>59- LAN INTERFACE-1</p> <p>60- LAN RJ45 CONN</p> <p>61- DOCKING CONN</p> <p>62- SCREW</p> <p>63- MDC CONN</p> <p>64- TCPA CONN</p> <p>65- BLUETOOTH</p> <p>66- BUTTON &amp; SWITCH &amp; LED</p> <p>67- LED/SWITCH BOTTON BOARD</p>
---	--	---

**INVENTEC**

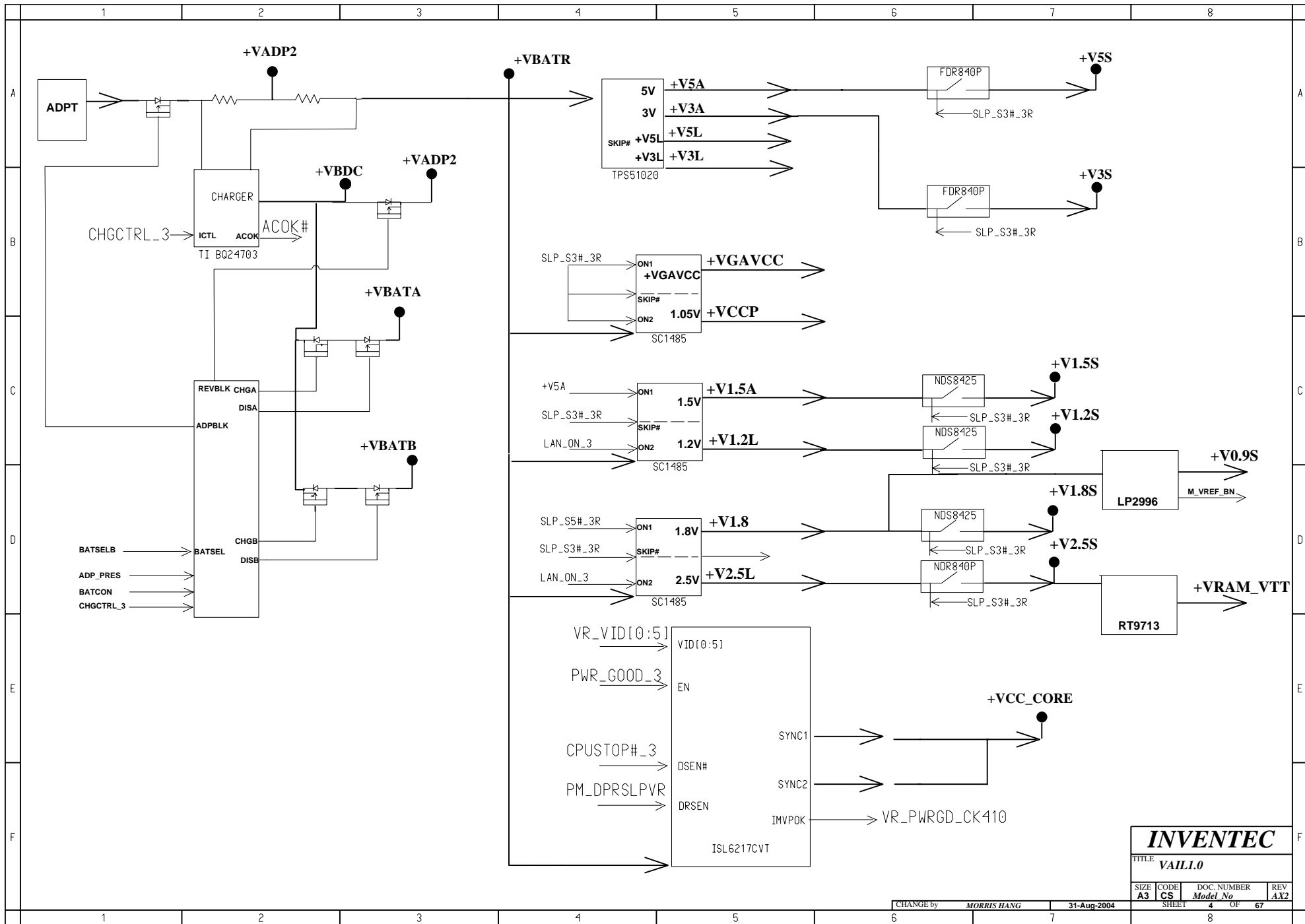
TITLE  
*VAIL1.0*

SIZE <b>A3</b>	CODE <b>CS</b>	DOC. NUMBER <i>Model No</i>	REV <b>AX2</b>
SHEET		2	OF 67

CHANGE by *MORRIS HANG*      31-Aug-2004

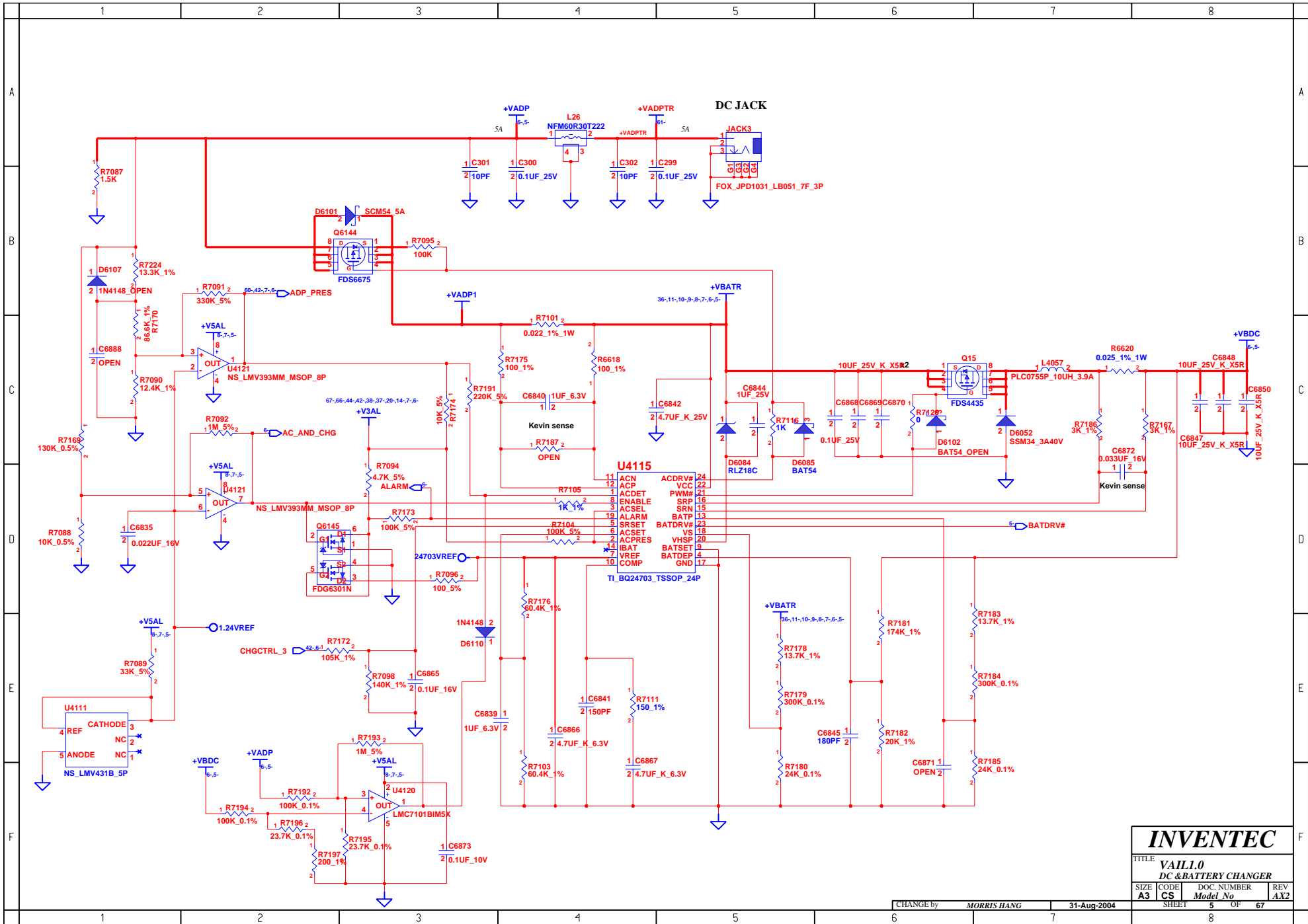


<b>INVENTEC</b>			
TITLE <i>VAIL1.0</i>			
SIZE <b>A3</b>	CODE <b>CS</b>	DOC. NUMBER <i>Model No</i>	REV <b>AX2</b>
CHANGE by <i>MORRIS HANG</i>		31-Aug-2004	SHEET 3 OF 67



<b>INVENTEC</b>			
TITLE <b>VAIL1.0</b>			
SIZE <b>A3</b>	CODE <b>CS</b>	DOC. NUMBER <i>Model No</i>	REV <b>AX2</b>
SHEET		OF	
4		67	

CHANGE by **MORRIS HANG** 31-Aug-2004



<b>INVENTEC</b>			
TITLE <b>VAILI.0</b>			
DC & BATTERY CHANGER			
SIZE	CODE	DOC. NUMBER	REV
A3	CS	Model No	AX2
CHANGE by		31-Aug-2004	
MORRIS HANG		SHEET 5 OF 67	

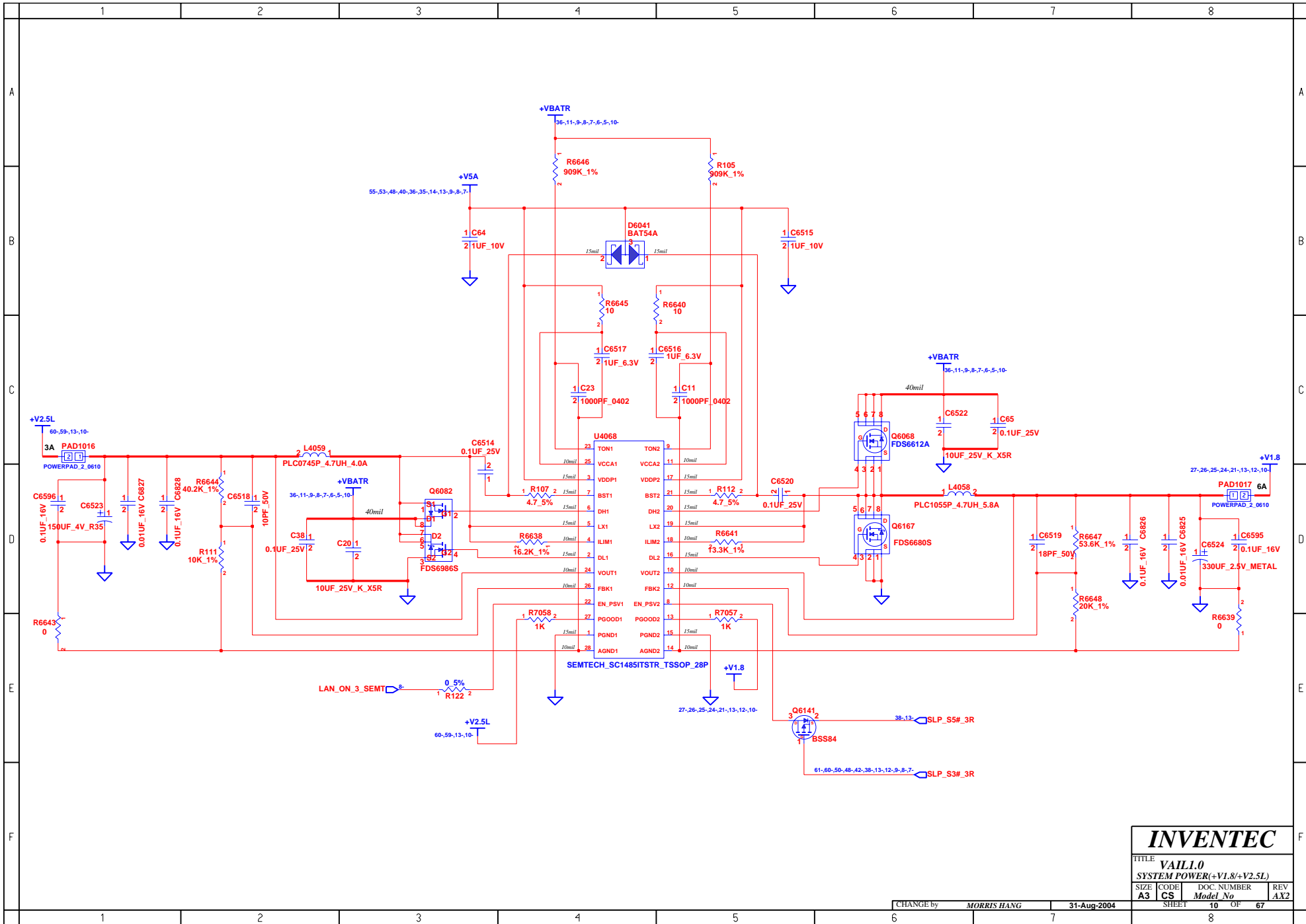












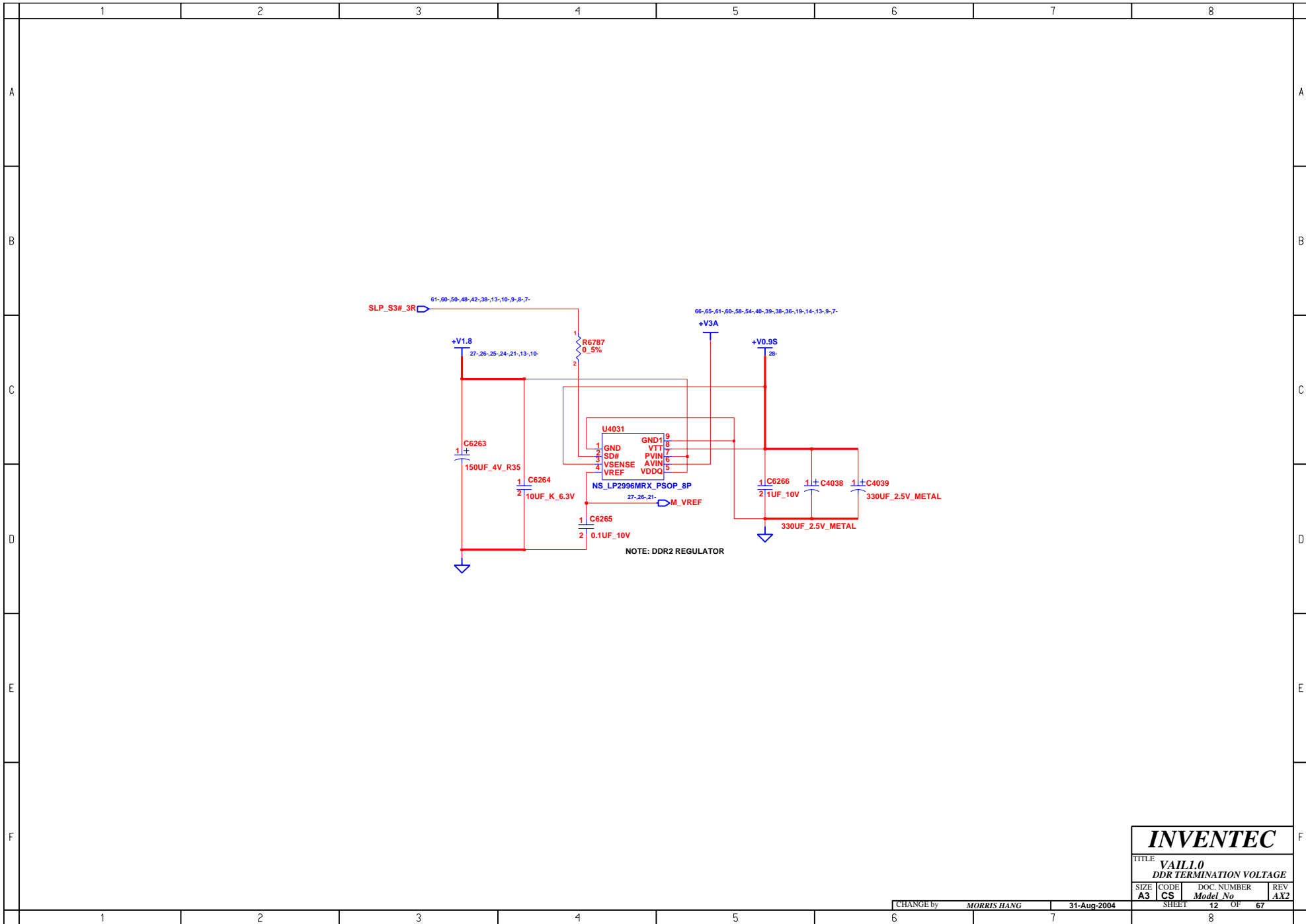
# INVENTEC

TITLE **VAIL1.0**  
**SYSTEM POWER(+V1.8/+V2.5L)**

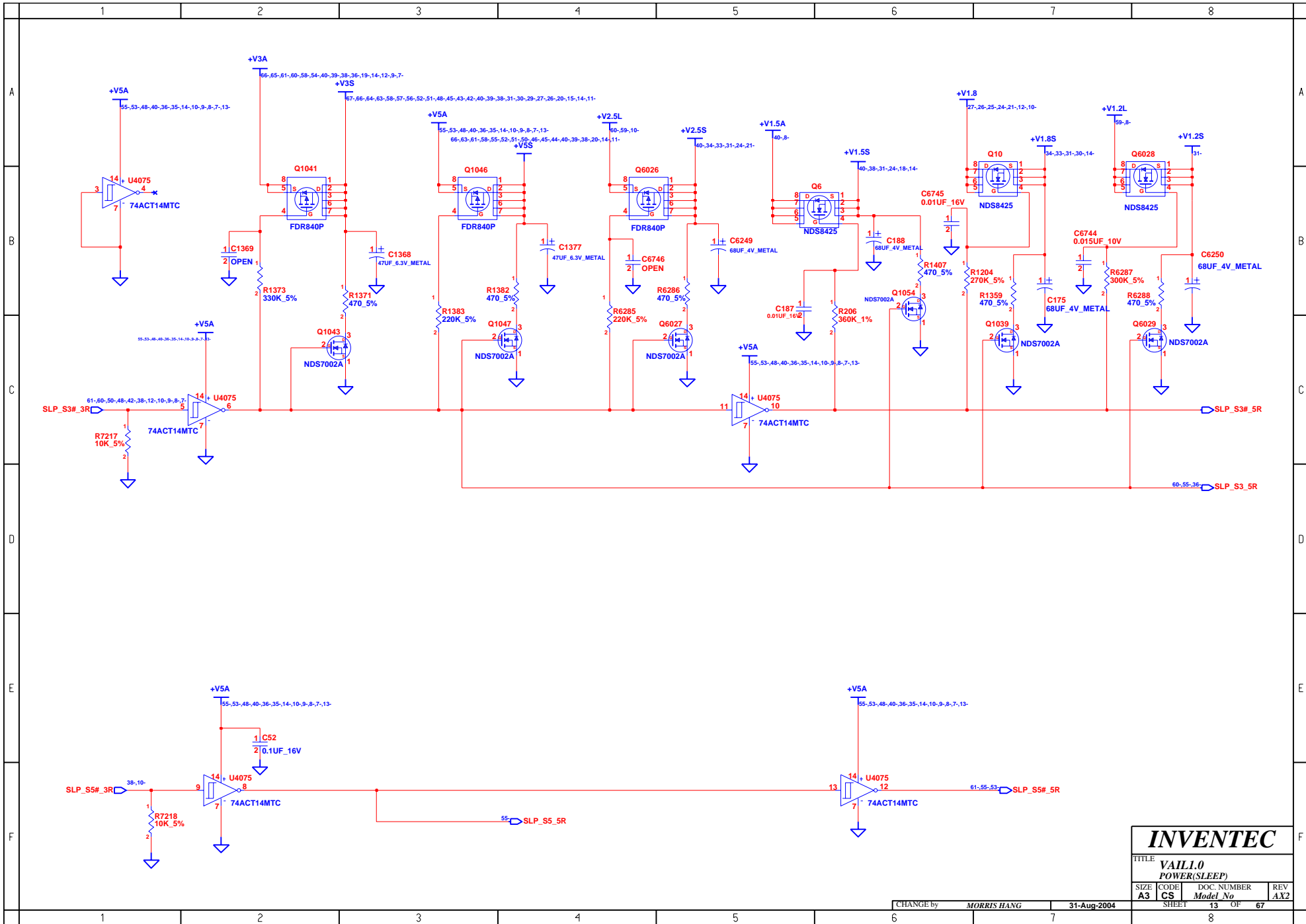
SIZE <b>A3</b>	CODE <b>CS</b>	DOC. NUMBER <i>Model No</i>	REV <b>AX2</b>
-------------------	-------------------	--------------------------------	-------------------

CHANGE by	<i>MORRIS HANG</i>	31-Aug-2004
SHEET	10	OF 67

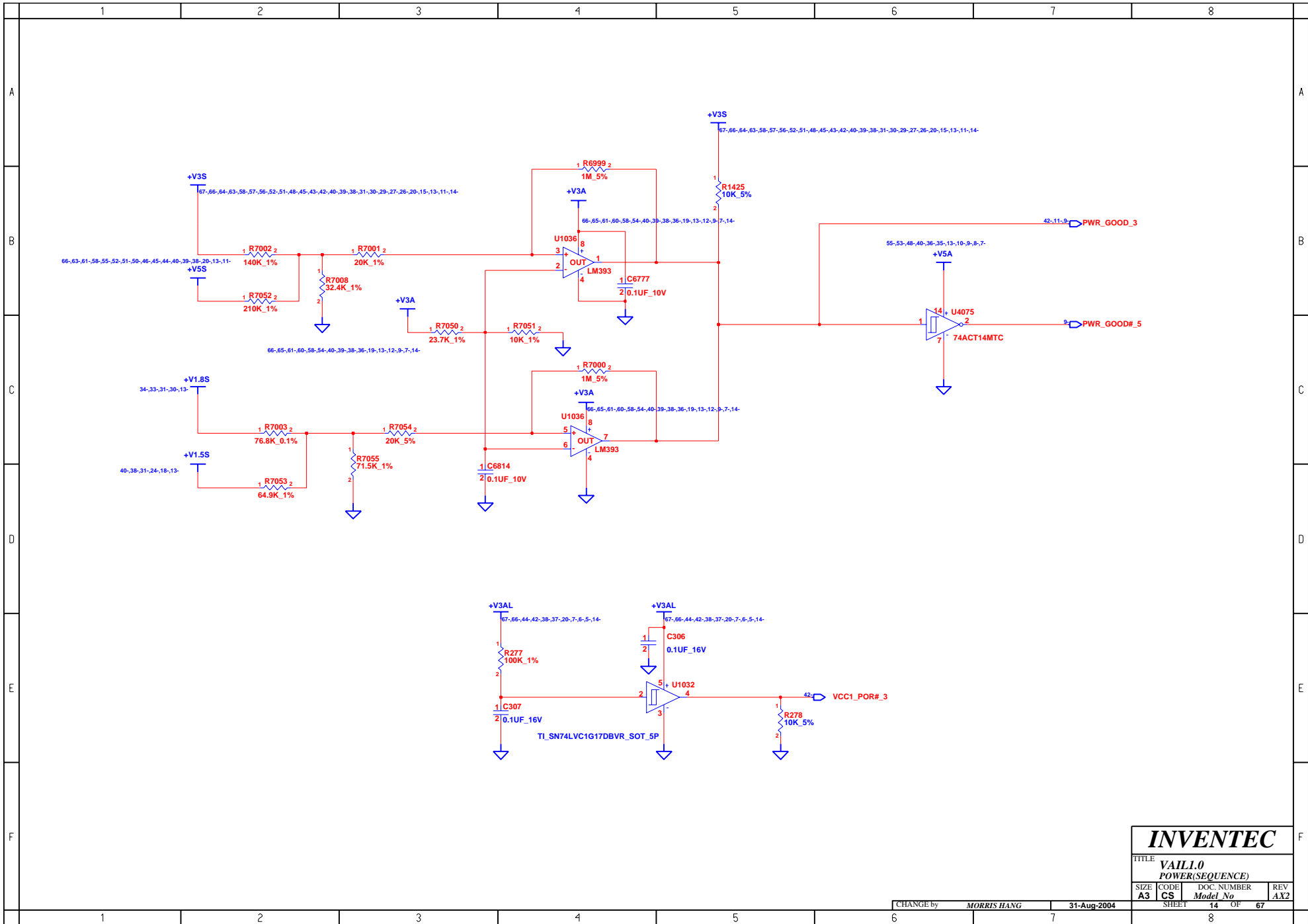




<b>INVENTEC</b>			
TITLE <b>VAIL1.0</b>			
DDR TERMINATION VOLTAGE			
SIZE <b>A3</b>	CODE <b>CS</b>	DOC. NUMBER Model No	REV <b>AX2</b>
CHANGE by <b>MORRIS HANG</b>		31-Aug-2004	SHEET <b>12</b> OF <b>67</b>



<b>INVENTEC</b>			
TITLE <b>VAIL1.0 POWER(SLEEP)</b>			
SIZE <b>A3</b>	CODE <b>CS</b>	DOC. NUMBER <i>Model No</i>	REV <b>AX2</b>
CHANGE by <b>MORRIS HANG</b>		31-Aug-2004	
SHEET <b>13</b> OF <b>67</b>			

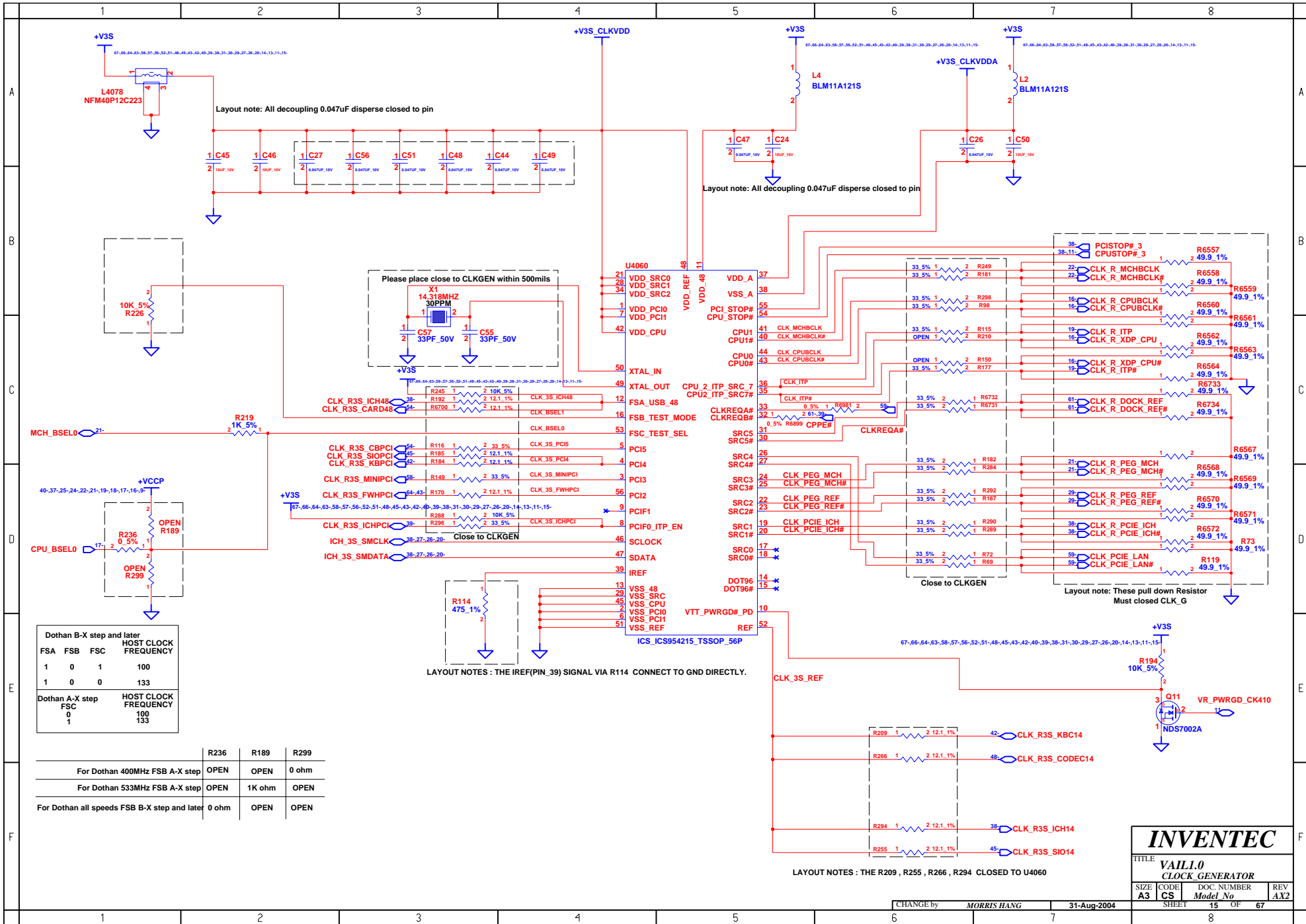


# INVENTEC

TITLE			
VAIL1.0			
POWER(SEQUENCE)			
SIZE	CODE	DOC. NUMBER	REV
A3	CS	Model No	AX2

CHANGE by MORRIS HANG 31-Aug-2004

SHEET 14 OF 67



Layout note: All decoupling 0.047uF disperse closed to pin

Layout note: All decoupling 0.047uF disperse closed to pin

Please place close to CLKGEN within 500mils

Close to CLKGEN

Close to CLKGEN

Layout note: These pull down Resistor Must closed CLK\_G

LAYOUT NOTES : THE IREF(PIN\_39) SIGNAL VIA R114 CONNECT TO GND DIRECTLY.

LAYOUT NOTES : THE R209 , R255 , R266 , R294 CLOSED TO U4060

Dothan B-X step and later			
FSA	FSB	FSC	HOST CLOCK FREQUENCY
1	0	1	100
1	0	0	133

Dothan A-X step		HOST CLOCK FREQUENCY
FSC		
0		100
1		133

	R236	R189	R299
For Dothan 400MHz FSB A-X step	OPEN	OPEN	0 ohm
For Dothan 533MHz FSB A-X step	OPEN	1K ohm	OPEN
For Dothan all speeds FSB B-X step and later	0 ohm	OPEN	OPEN

**INVENTEC**

TITLE **VAIL1.0**  
**CLOCK GENERATOR**

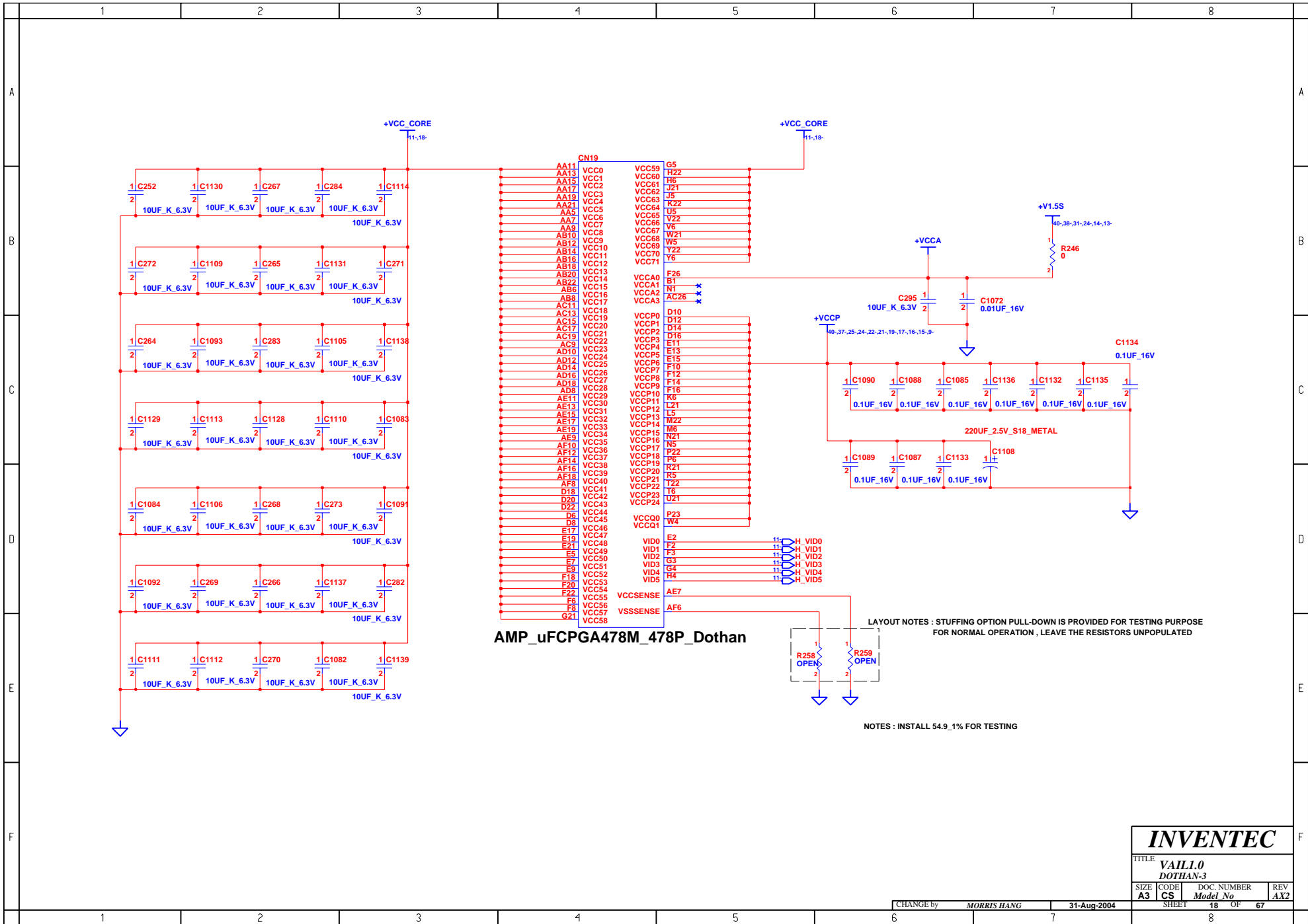
SIZE	CODE	DOC. NUMBER	REV
A3	CS	Model No	AX2

SHEET 15 OF 67

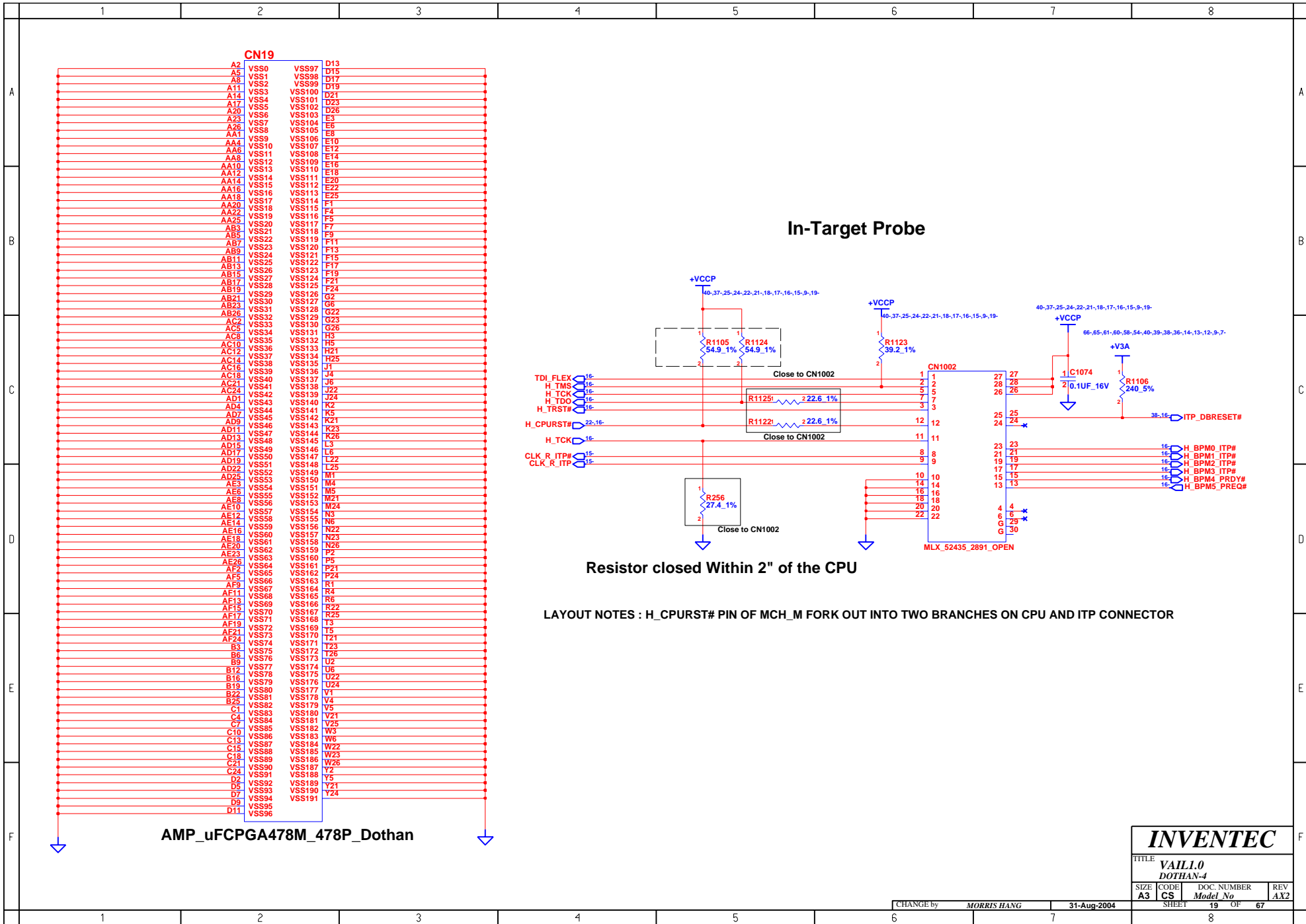






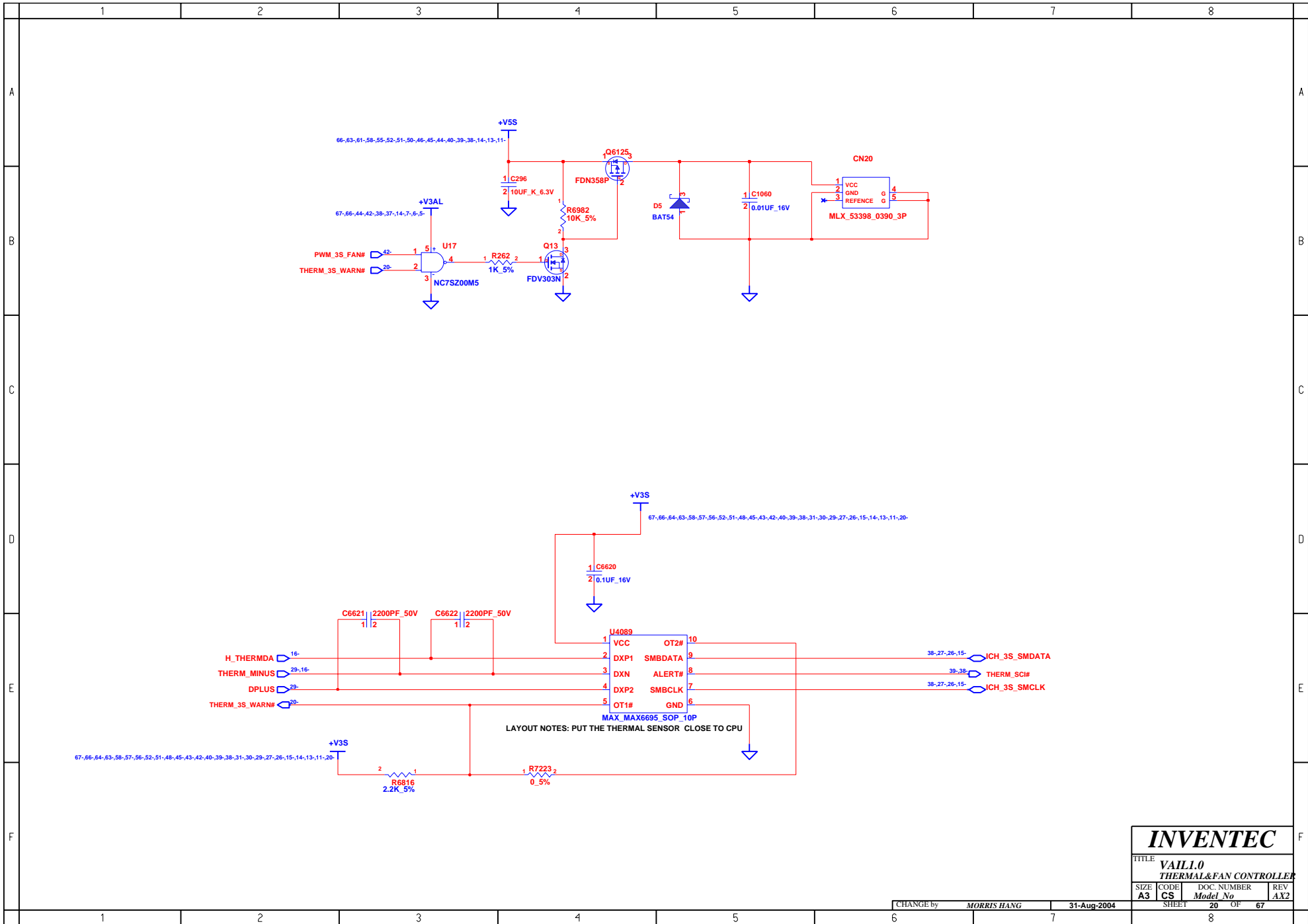


<b>INVENTEC</b>			
TITLE VAIL1.0 DOTHAN-3			
SIZE A3	CODE CS	DOC. NUMBER Model No	REV AX2
CHANGE by MORRIS HANG		31-Aug-2004	
SHEET 18		OF 67	



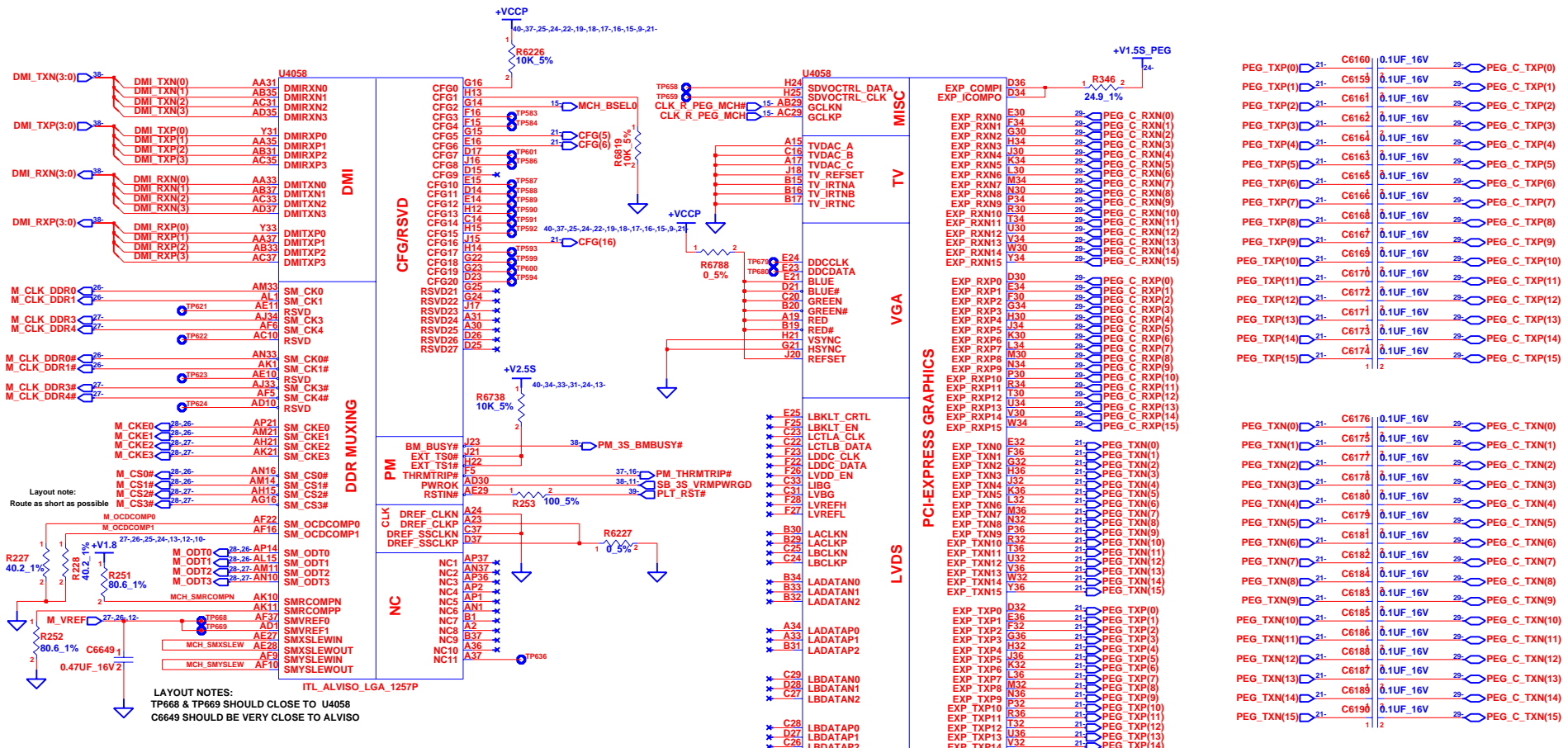
**INVENTEC**

TITLE					
VAIL1.0					
DOTHAN-4					
SIZE	CODE	DOC. NUMBER	REV		
A3	CS	Model No	AX2	SHEET	19 OF 67



<b>INVENTEC</b>			
TITLE <b>VAIL1.0</b>			
THERMAL&FAN CONTROLLER			
SIZE <b>A3</b>	CODE <b>CS</b>	DOC. NUMBER <b>Model No</b>	REV <b>AX2</b>
CHANGE by <b>MORRIS HANG</b>		31-Aug-2004	SHEET <b>20</b> OF <b>67</b>

NOTE: CFG[2:0] STRP : 001b : 533 MT/S  
101b : 400 MT/S



PEG_TXP(0)	21-	C6160	0.1UF_16V	29-	PEG_C_TXP(0)
PEG_TXP(1)	21-	C6159	0.1UF_16V	29-	PEG_C_TXP(1)
PEG_TXP(2)	21-	C6161	0.1UF_16V	29-	PEG_C_TXP(2)
PEG_TXP(3)	21-	C6162	0.1UF_16V	29-	PEG_C_TXP(3)
PEG_TXP(4)	21-	C6164	0.1UF_16V	29-	PEG_C_TXP(4)
PEG_TXP(5)	21-	C6163	0.1UF_16V	29-	PEG_C_TXP(5)
PEG_TXP(6)	21-	C6165	0.1UF_16V	29-	PEG_C_TXP(6)
PEG_TXP(7)	21-	C6166	0.1UF_16V	29-	PEG_C_TXP(7)
PEG_TXP(8)	21-	C6168	0.1UF_16V	29-	PEG_C_TXP(8)
PEG_TXP(9)	21-	C6167	0.1UF_16V	29-	PEG_C_TXP(9)
PEG_TXP(10)	21-	C6169	0.1UF_16V	29-	PEG_C_TXP(10)
PEG_TXP(11)	21-	C6170	0.1UF_16V	29-	PEG_C_TXP(11)
PEG_TXP(12)	21-	C6172	0.1UF_16V	29-	PEG_C_TXP(12)
PEG_TXP(13)	21-	C6171	0.1UF_16V	29-	PEG_C_TXP(13)
PEG_TXP(14)	21-	C6173	0.1UF_16V	29-	PEG_C_TXP(14)
PEG_TXP(15)	21-	C6174	0.1UF_16V	29-	PEG_C_TXP(15)
PEG_TXN(0)	21-	C6176	0.1UF_16V	29-	PEG_C_TXN(0)
PEG_TXN(1)	21-	C6175	0.1UF_16V	29-	PEG_C_TXN(1)
PEG_TXN(2)	21-	C6177	0.1UF_16V	29-	PEG_C_TXN(2)
PEG_TXN(3)	21-	C6178	0.1UF_16V	29-	PEG_C_TXN(3)
PEG_TXN(4)	21-	C6180	0.1UF_16V	29-	PEG_C_TXN(4)
PEG_TXN(5)	21-	C6179	0.1UF_16V	29-	PEG_C_TXN(5)
PEG_TXN(6)	21-	C6181	0.1UF_16V	29-	PEG_C_TXN(6)
PEG_TXN(7)	21-	C6182	0.1UF_16V	29-	PEG_C_TXN(7)
PEG_TXN(8)	21-	C6184	0.1UF_16V	29-	PEG_C_TXN(8)
PEG_TXN(9)	21-	C6183	0.1UF_16V	29-	PEG_C_TXN(9)
PEG_TXN(10)	21-	C6185	0.1UF_16V	29-	PEG_C_TXN(10)
PEG_TXN(11)	21-	C6186	0.1UF_16V	29-	PEG_C_TXN(11)
PEG_TXN(12)	21-	C6188	0.1UF_16V	29-	PEG_C_TXN(12)
PEG_TXN(13)	21-	C6187	0.1UF_16V	29-	PEG_C_TXN(13)
PEG_TXN(14)	21-	C6189	0.1UF_16V	29-	PEG_C_TXN(14)
PEG_TXN(15)	21-	C6190	0.1UF_16V	29-	PEG_C_TXN(15)

Layout note:  
Route as short as possible

LAYOUT NOTES:  
TP668 & TP669 SHOULD CLOSE TO U4058  
C6649 SHOULD BE VERY CLOSE TO ALVISO

ITL\_ALVISO\_LGA\_1257P

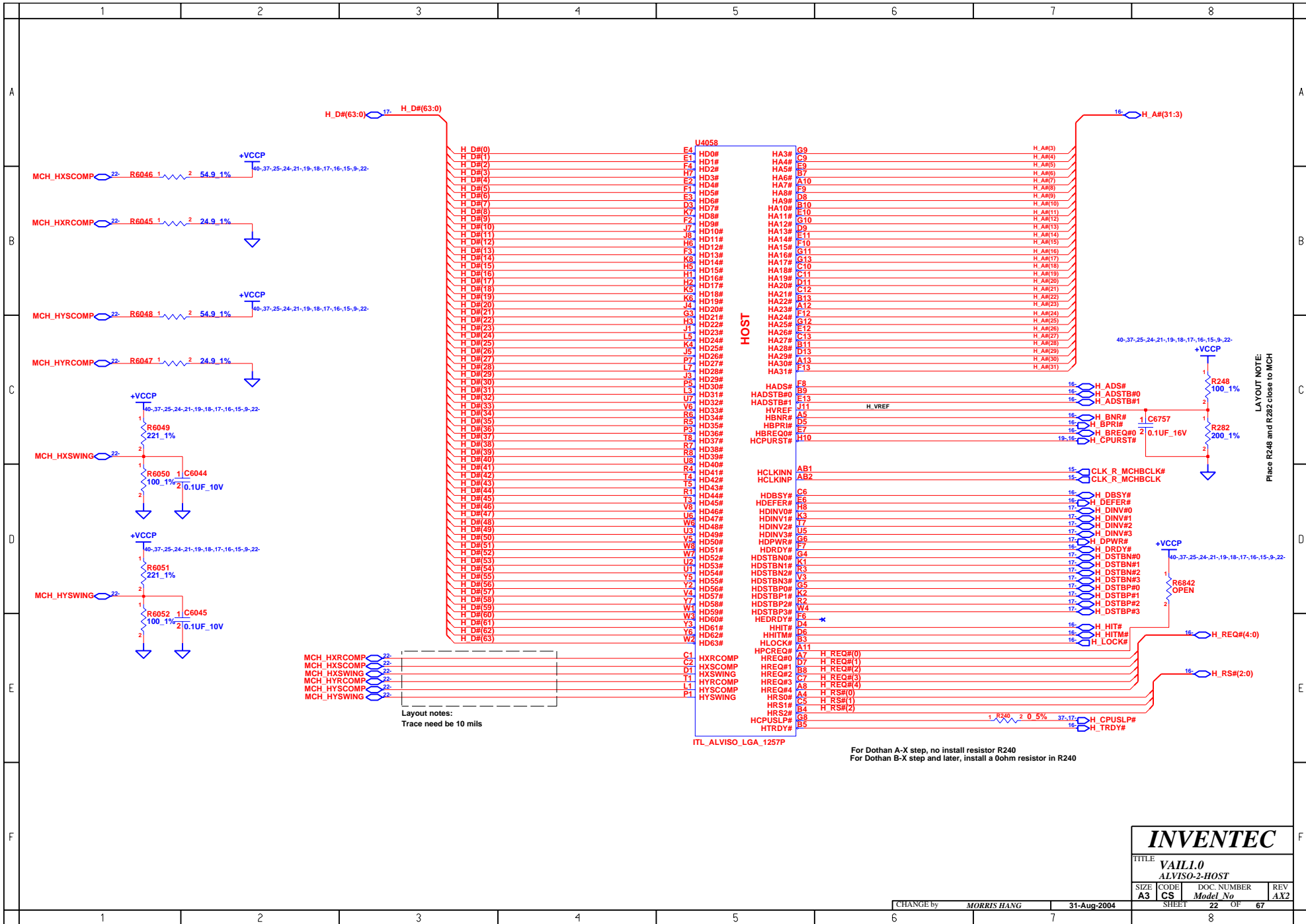
DMI  
Low: DMI\*2  
High: DMI\*4

DDR  
Low: DDR2  
High: DDR

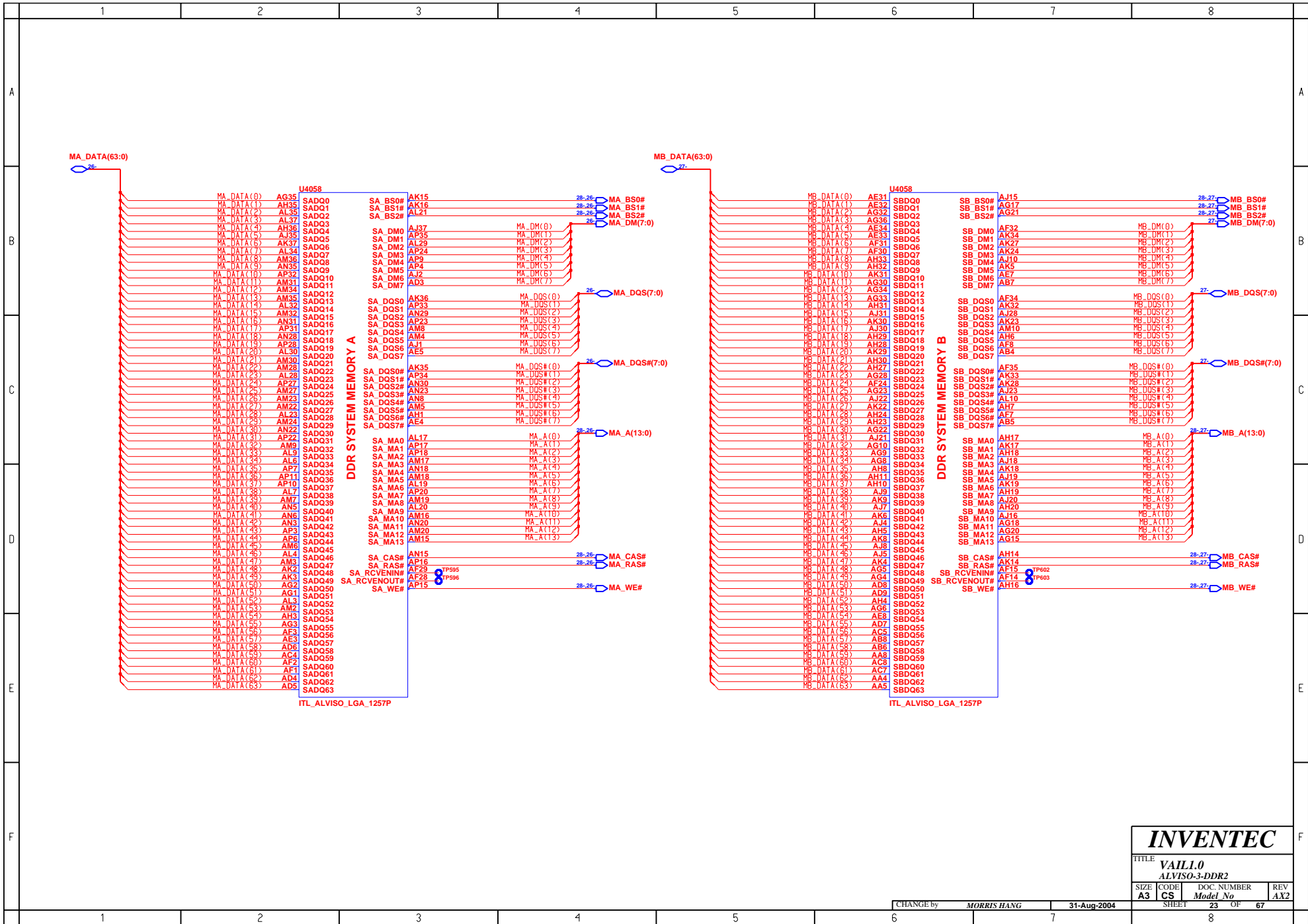
FSB dynamic ODT  
Low: dynamic ODT disable  
High: dynamic ODT enable

Place to near NB

<b>INVENTEC</b>			
TITLE VAILI.0 ALVISO-1			
SIZE A3	CODE CS	DOC. NUMBER Model No	REV AX2
CHANGE by MORRIS HANG		31-Aug-2004	
SHEET 21		OF 67	



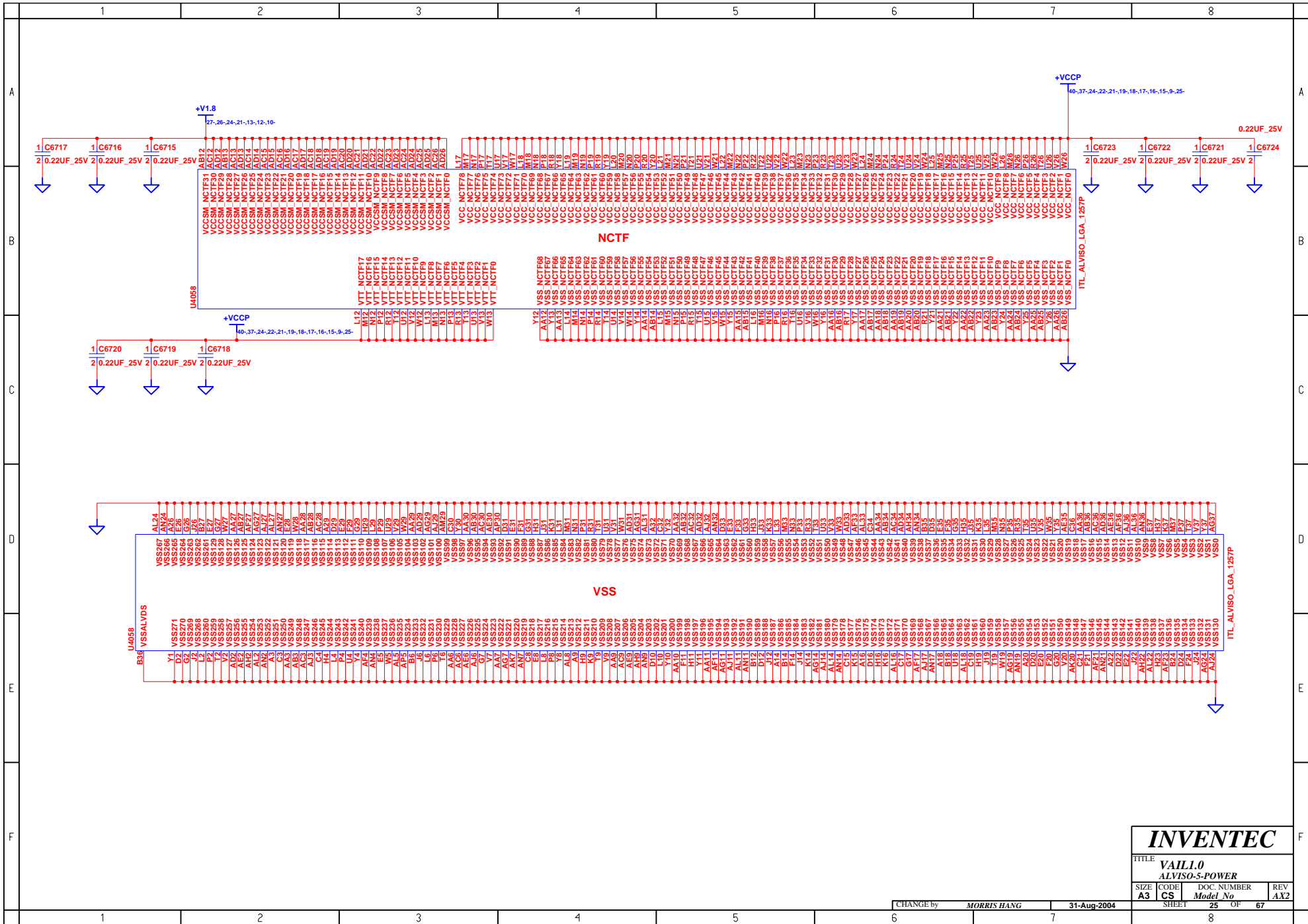
<b>INVENTEC</b>			
TITLE VAIL1.0 ALVISO-2-HOST			
SIZE	CODE	DOC. NUMBER	REV
A3	CS	Model No	AX2
CHANGE by		MORRIS HANG	31-Aug-2004
SHEET		22	OF 67



<b>INVENTEC</b>			
TITLE <b>VAILI.0</b>			
ALVISO-3-DDR2			
SIZE	CODE	DOC. NUMBER	REV
A3	CS	Model No	AX2
SHEET		23	OF 67







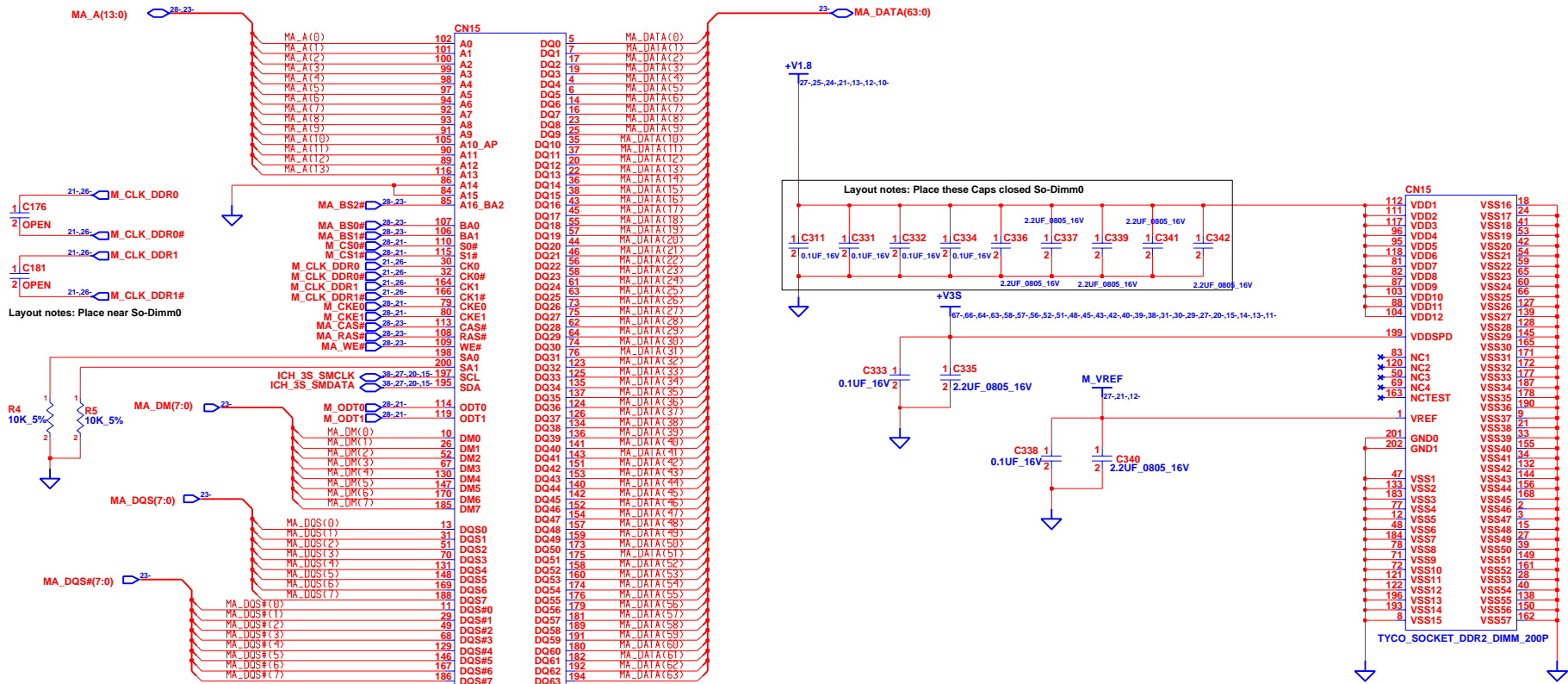
**INVENTEC**

TITLE  
**VAILI.0**  
**ALVISO-5-POWER**

SIZE	CODE	DOC. NUMBER	REV
A3	CS	Model No	AX2

CHANGE by **MORRIS HANG**    31-Aug-2004

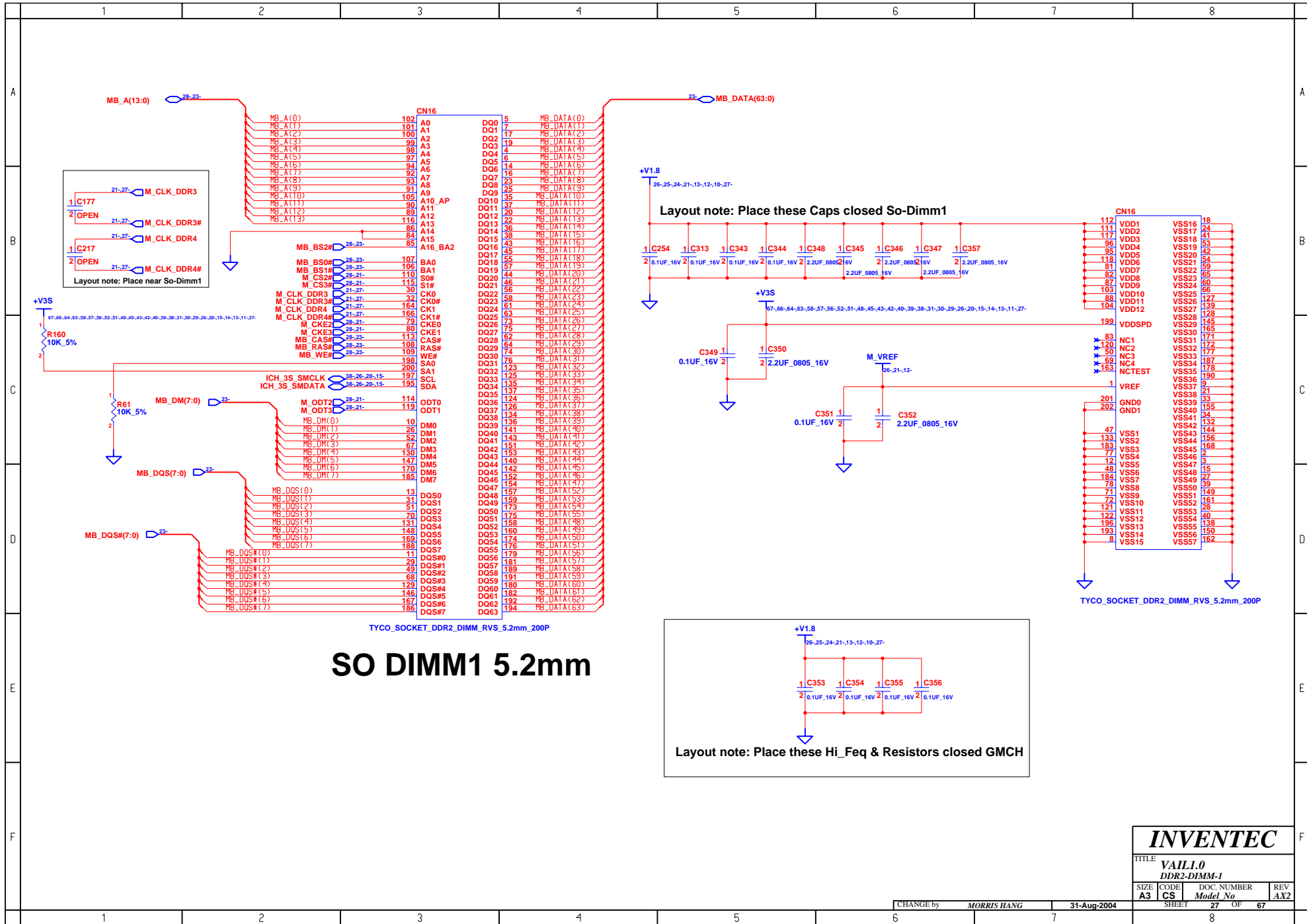
SHEET **25** OF **67**



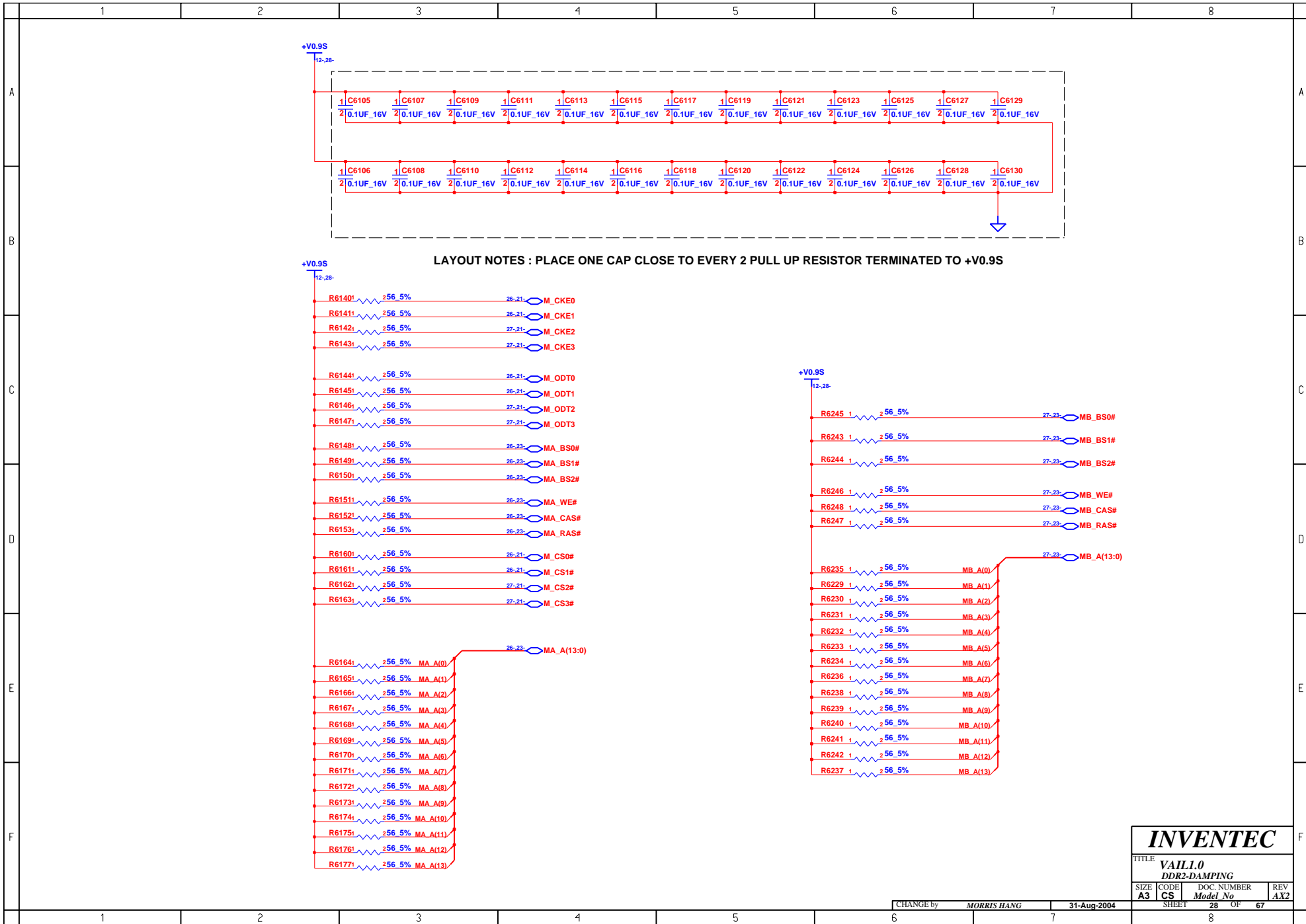
# SO DIMM0\_5.2mm

## INVENTEC

TITLE			
VAIL1.0			
DDR2-DIMM-0			
SIZE	CODE	DOC. NUMBER	REV
A3	CS	Model No	AX2

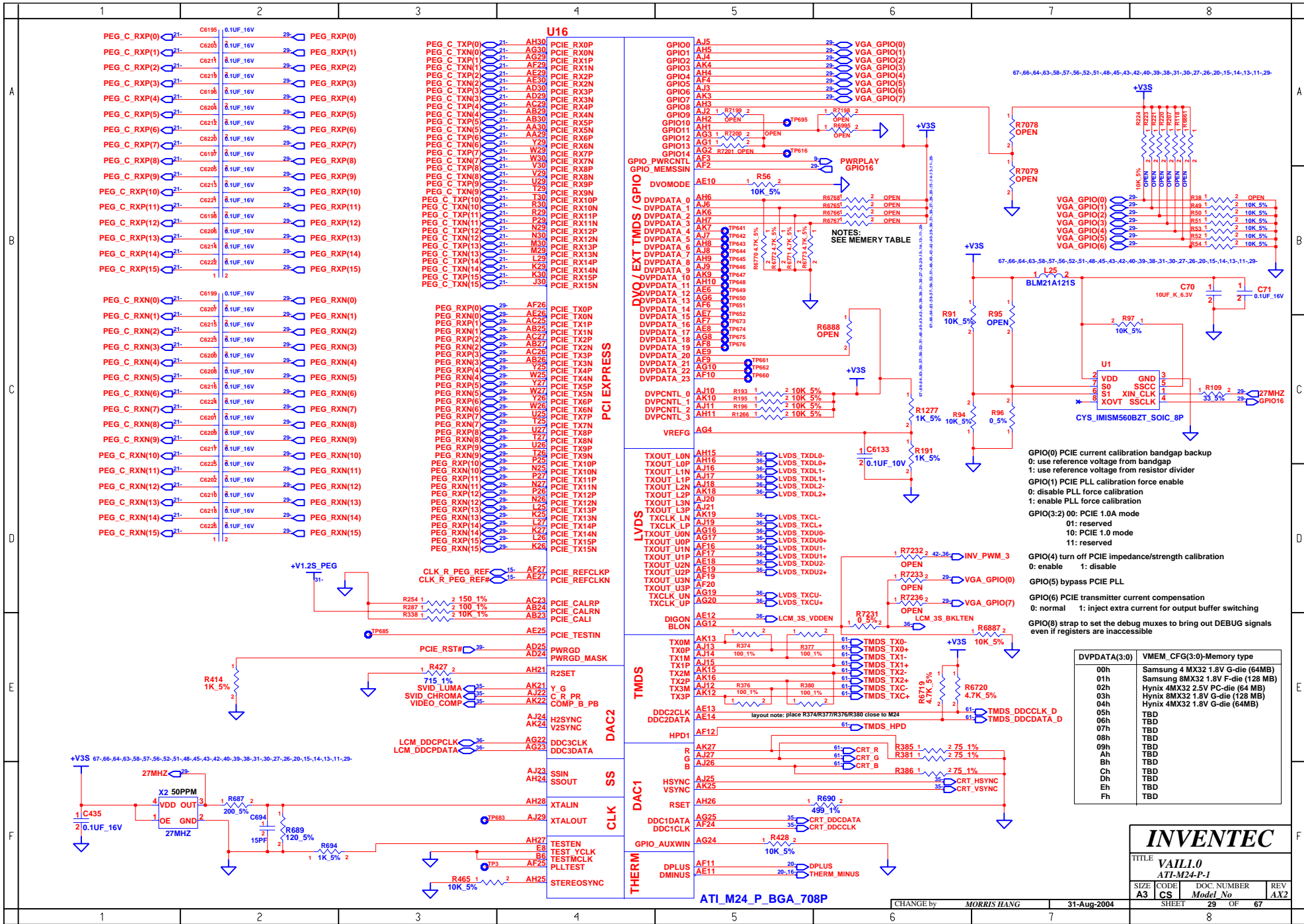


<b>INVENTEC</b>			
TITLE <b>VAIL1.0</b>			
<b>DDR2-DIMM-1</b>			
SIZE	CODE	DOC. NUMBER	REV
<b>A3</b>	<b>CS</b>	<i>Model No</i>	<b>AX2</b>
CHANGE by		31-Aug-2004	
MORRIS HANG		SHEET 27 OF 67	



LAYOUT NOTES : PLACE ONE CAP CLOSE TO EVERY 2 PULL UP RESISTOR TERMINATED TO +V0.9S

<b>INVENTEC</b>			
TITLE <b>VAIL1.0</b>			
DDR2-DAMPING			
SIZE	CODE	DOC. NUMBER	REV
A3	CS	Model No	AX2
CHANGE by		MORRIS HANG	31-Aug-2004
SHEET		28	OF 67



67-66-64-63-58-57-56-52-51-48-45-43-42-40-39-38-31-30-27-26-20-15-14-13-11-29

67-66-64-63-58-57-56-52-51-48-45-43-42-40-39-38-31-30-27-26-20-15-14-13-11-29

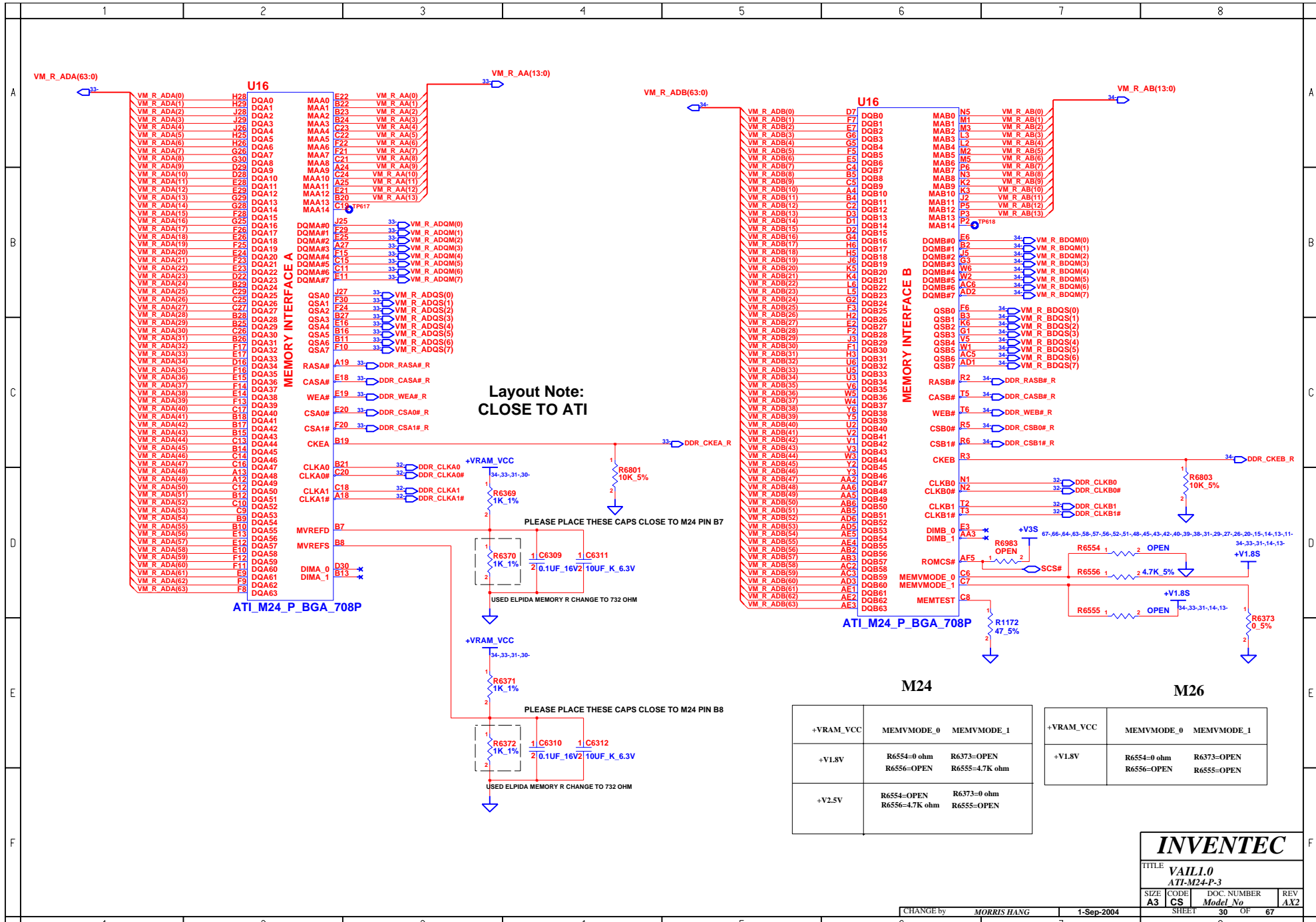
- GPIO(0) PCIe current calibration bandgap backup
  - 0: use reference voltage from bandgap
  - 1: use reference voltage from resistor divider
- GPIO(1) PCIe PLL calibration force enable
  - 0: disable PLL force calibration
  - 1: enable PLL force calibration
- GPIO(3:2) 00: PCIe 1.0A mode
  - 01: reserved
  - 10: PCIe 1.0 mode
  - 11: reserved
- GPIO(4) turn off PCIe impedance/strength calibration
  - 0: enable
  - 1: disable
- GPIO(5) bypass PCIe PLL
- GPIO(6) PCIe transmitter current compensation
  - 0: normal
  - 1: inject extra current for output buffer switching
- GPIO(8) strap to set the debug muxes to bring out DEBUG signals even if registers are inaccessible

DVPPDATA(3:0)	VMEM_CFG(3:0)-Memory type
00h	Samsung 4 MX32 1.8V G-die (64MB)
01h	Samsung 8MX32 1.8V F-die (128 MB)
02h	Hynix 4MX32 2.5V PC-die (64 MB)
03h	Hynix 8MX32 1.8V G-die (126 MB)
04h	Hynix 4MX32 1.8V G-die (64MB)
05h	TBD
06h	TBD
07h	TBD
08h	TBD
09h	TBD
Ah	TBD
Bh	TBD
Ch	TBD
Dh	TBD
Eh	TBD
Fh	TBD

<b>INVENTEC</b>			
TITLE <b>VAILLO</b>			
ATI-M24-P-1			
SIZE	CODE	DOC. NUMBER	REV
A3	CS	Model_No	AX2
SHEET		29	OF 67

CHANGE by MORRIS HANG 31-Aug-2004

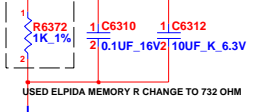
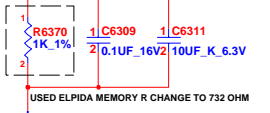
ATI\_M24\_P\_BGA\_708P



**Layout Note:  
CLOSE TO ATI**

PLEASE PLACE THESE CAPS CLOSE TO M24 PIN B7

PLEASE PLACE THESE CAPS CLOSE TO M24 PIN B8



+VRAM_VCC	MEMVMODE_0	MEMVMODE_1
+V1.8V	R6554=0 ohm R6556=OPEN	R6373=OPEN R6555=4.7K ohm
+V2.5V	R6554=OPEN R6556=4.7K ohm	R6373=0 ohm R6555=OPEN

+VRAM_VCC	MEMVMODE_0	MEMVMODE_1
+V1.8V	R6554=0 ohm R6556=OPEN	R6373=OPEN R6555=OPEN

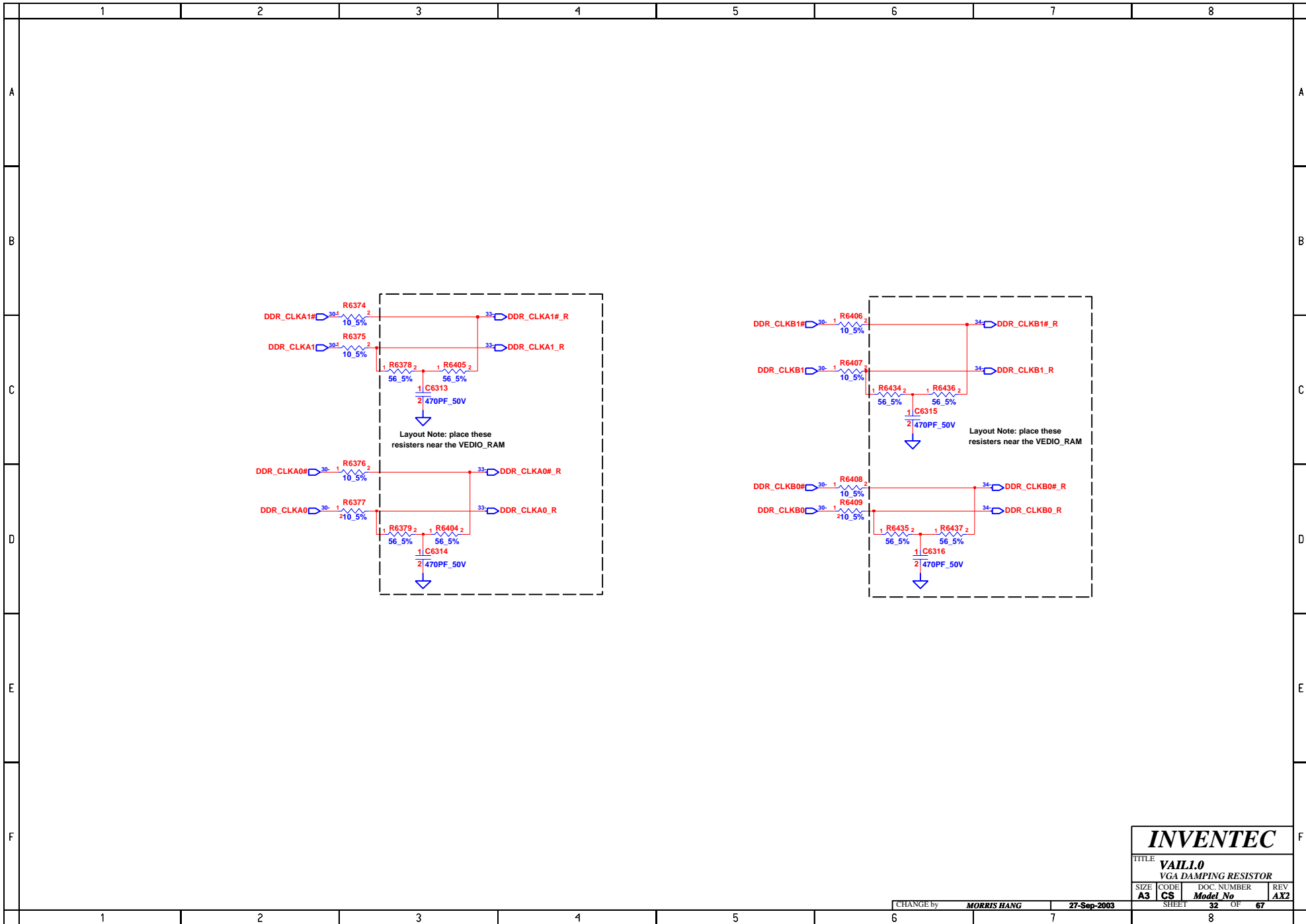
**INVENTEC**

TITLE  
VAIL1.0  
ATI-M24-P-3

SIZE CODE DOC. NUMBER REV  
A3 CS Model No 30 OF 67 AX2

CHANGE by MORRIS HANG 1-Sep-2004 SHEET 30 OF 67





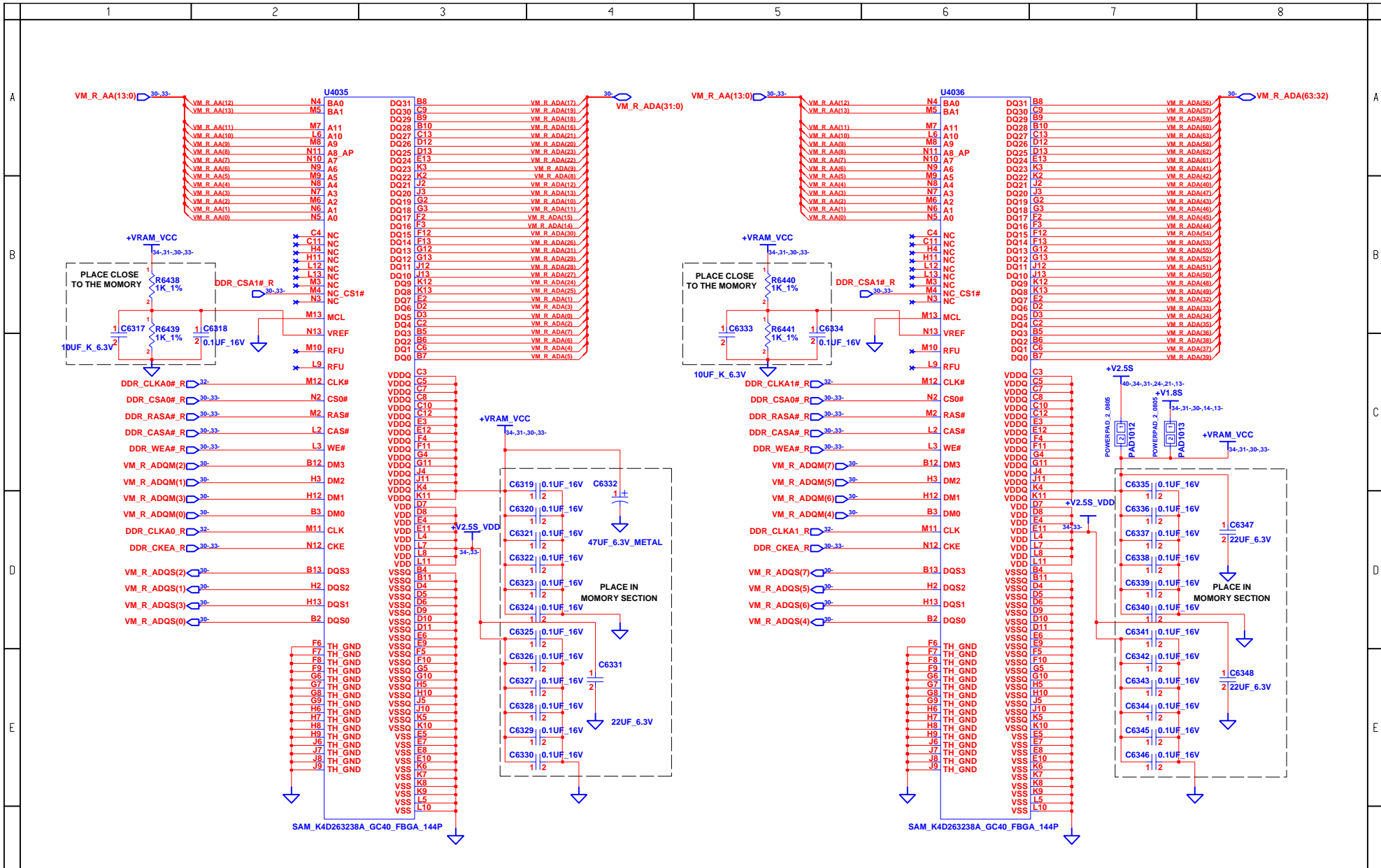
# INVENTEC

TITLE  
**VAIL1.0**  
 VGA DAMPING RESISTOR

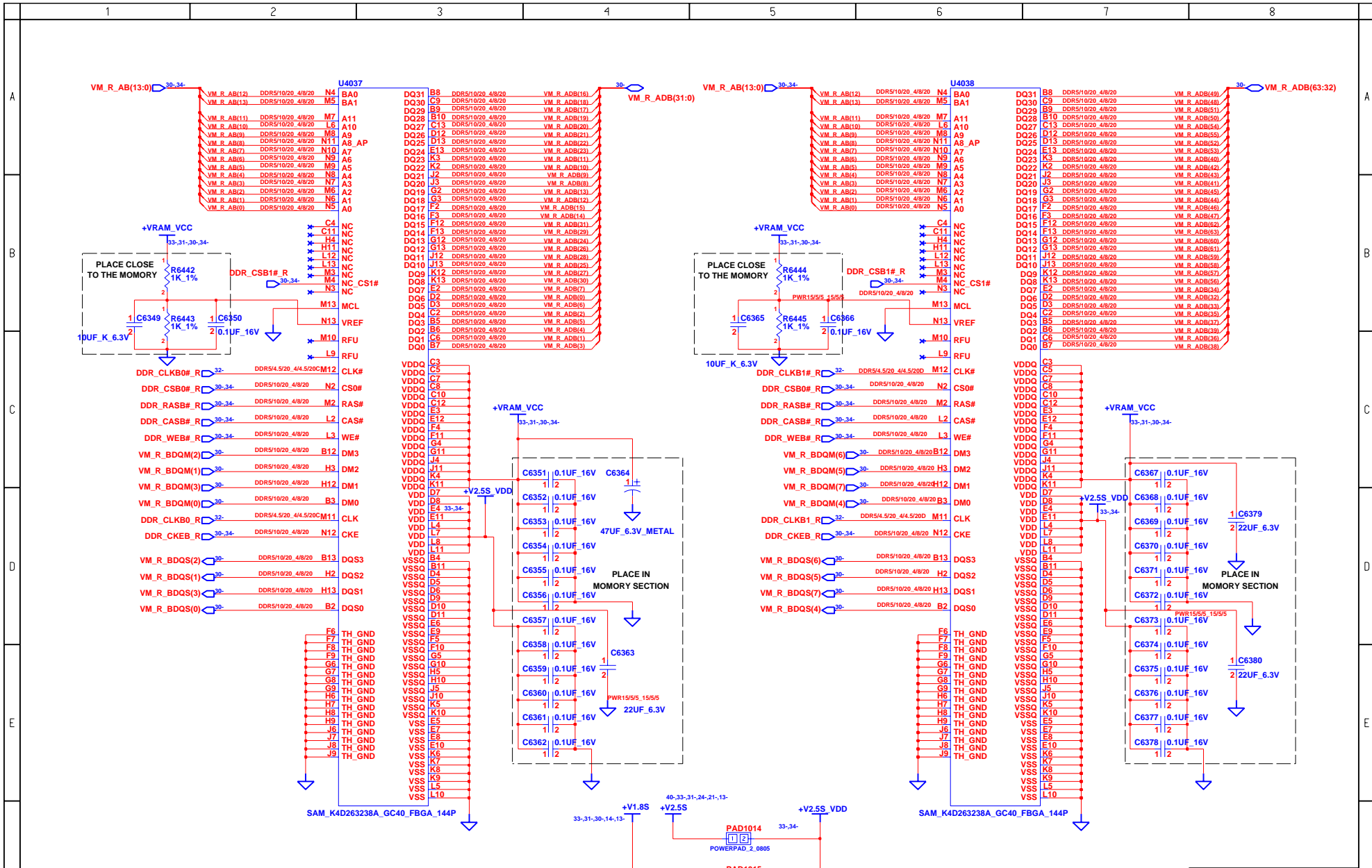
SIZE <b>A3</b>	CODE <b>CS</b>	DOC. NUMBER <i>Model No</i>	REV <b>AX2</b>
-------------------	-------------------	--------------------------------	-------------------

CHANGE by **MORRIS HANG** 27-Sep-2003 SHEET 32 OF 67





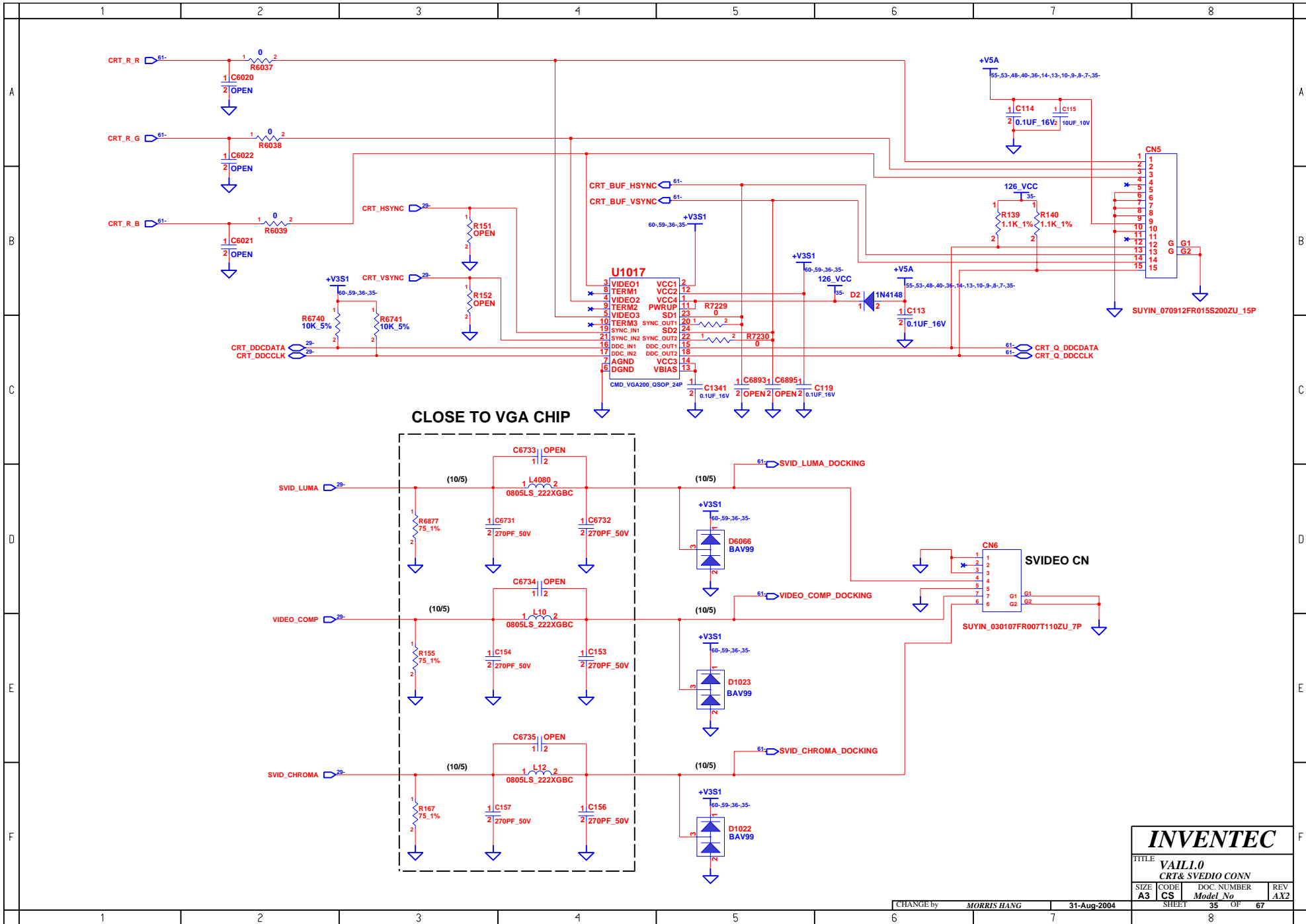
<b>INVENTEC</b>			
TITLE <b>VAIL1.0 VIDEO RAM-1</b>			
SIZE	CODE	DOC. NUMBER	REV
A3	CS	Model No	AX2
CHANGE by		MORRIS HANG	31-Aug-2004
SHEET		33	OF 67



**INVENTEC**

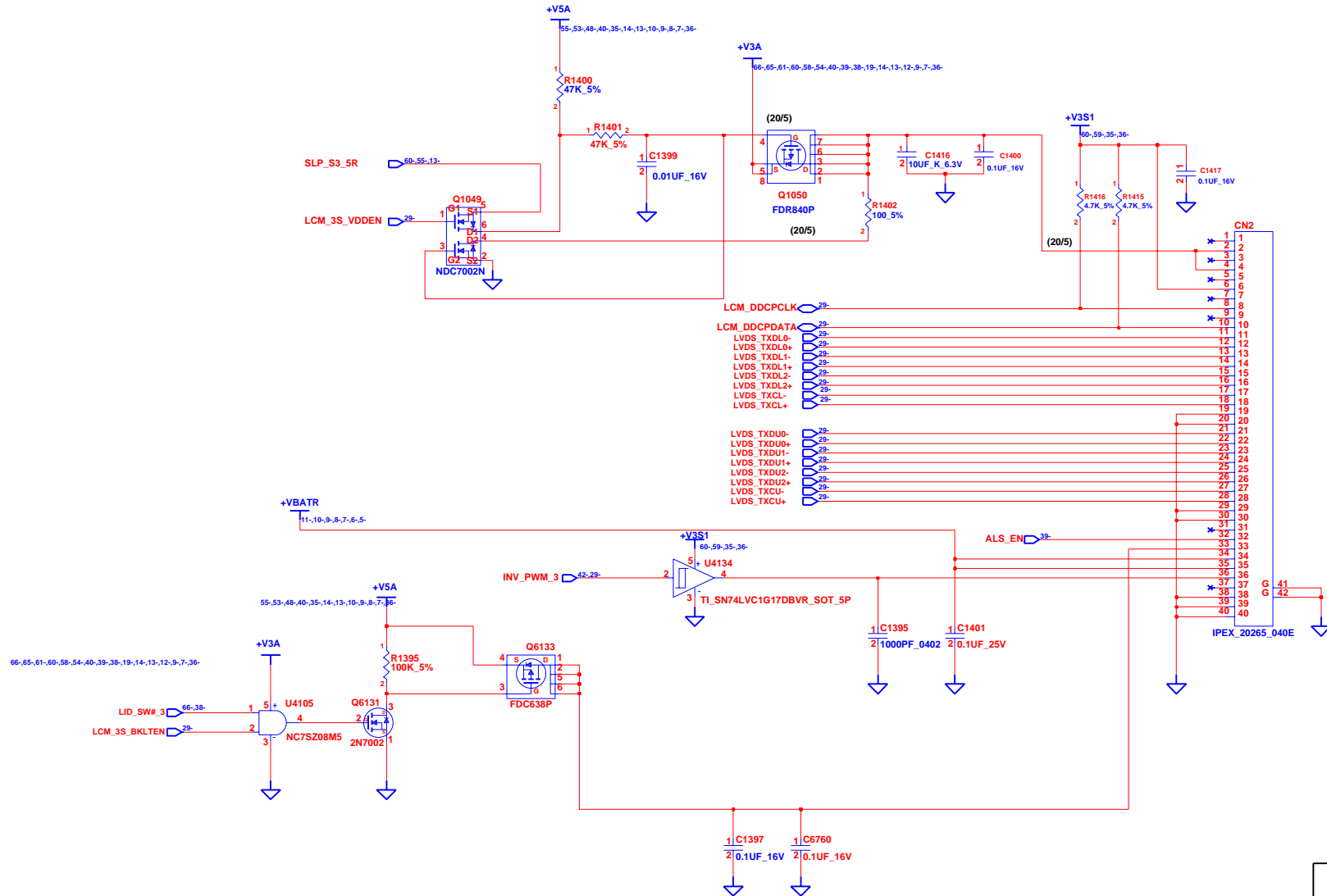
TITLE **VAIL1.0**  
**VIDEO RAM-2**

SIZE	CODE	DOC. NUMBER	REV
A3	CS	Model No	AX2

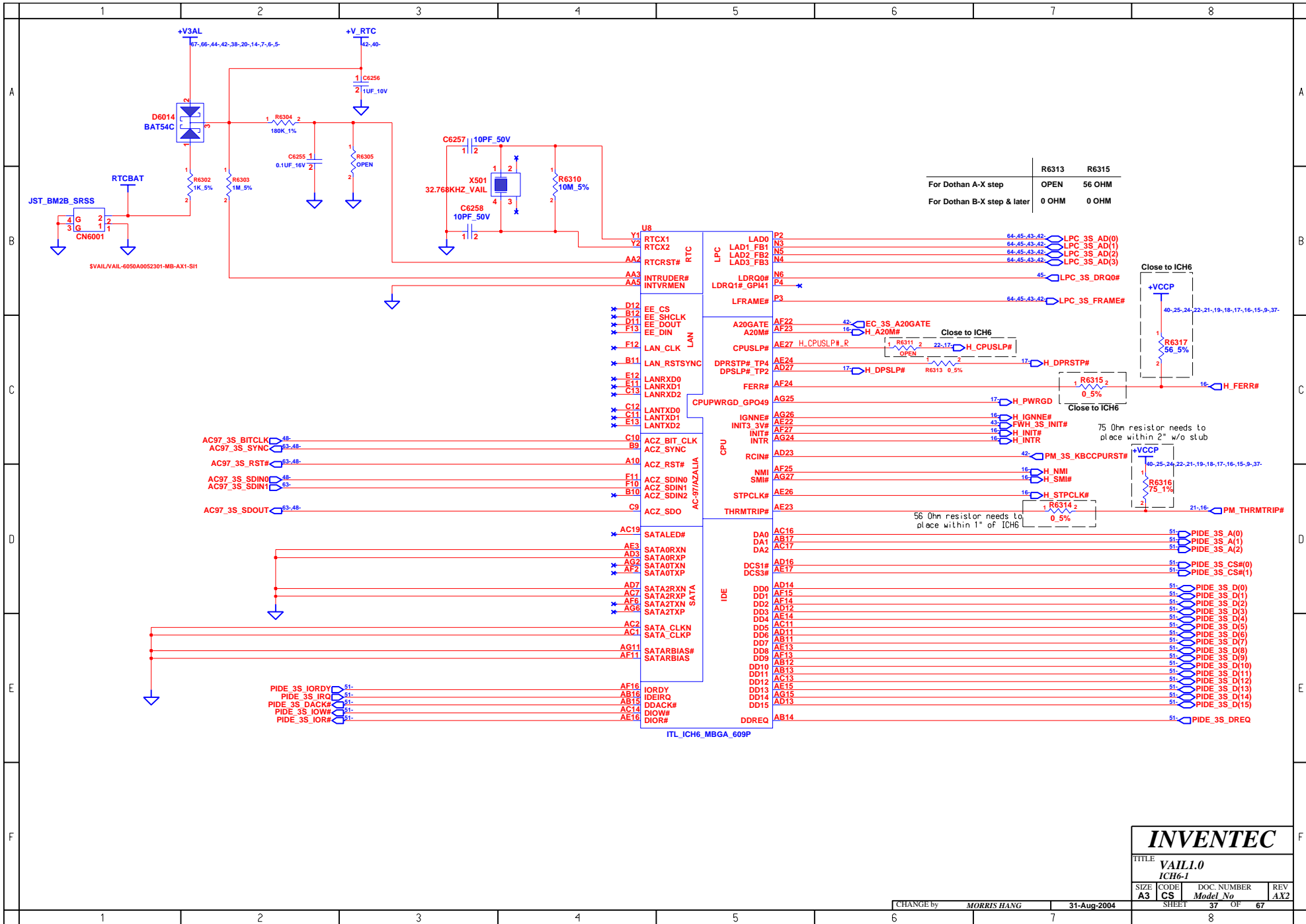


<b>INVENTEC</b>			
TITLE VAIL1.0 CRT & SVIDEO CONN			
SIZE A3	CODE CS	DOC. NUMBER Model No	REV AX2
CHANGE by MORRIS HANG		31-Aug-2004	SHEET 35 OF 67

Place closed to connector



<b>INVENTEC</b>			
TITLE <b>VAIL1.0</b> LCD CONN			
SIZE <b>A3</b>	CODE <b>CS</b>	DOC. NUMBER Model No	REV AX2
CHANGE by <b>MORRIS HANG</b>		31-Aug-2004	
SHEET <b>36</b>		OF <b>67</b>	

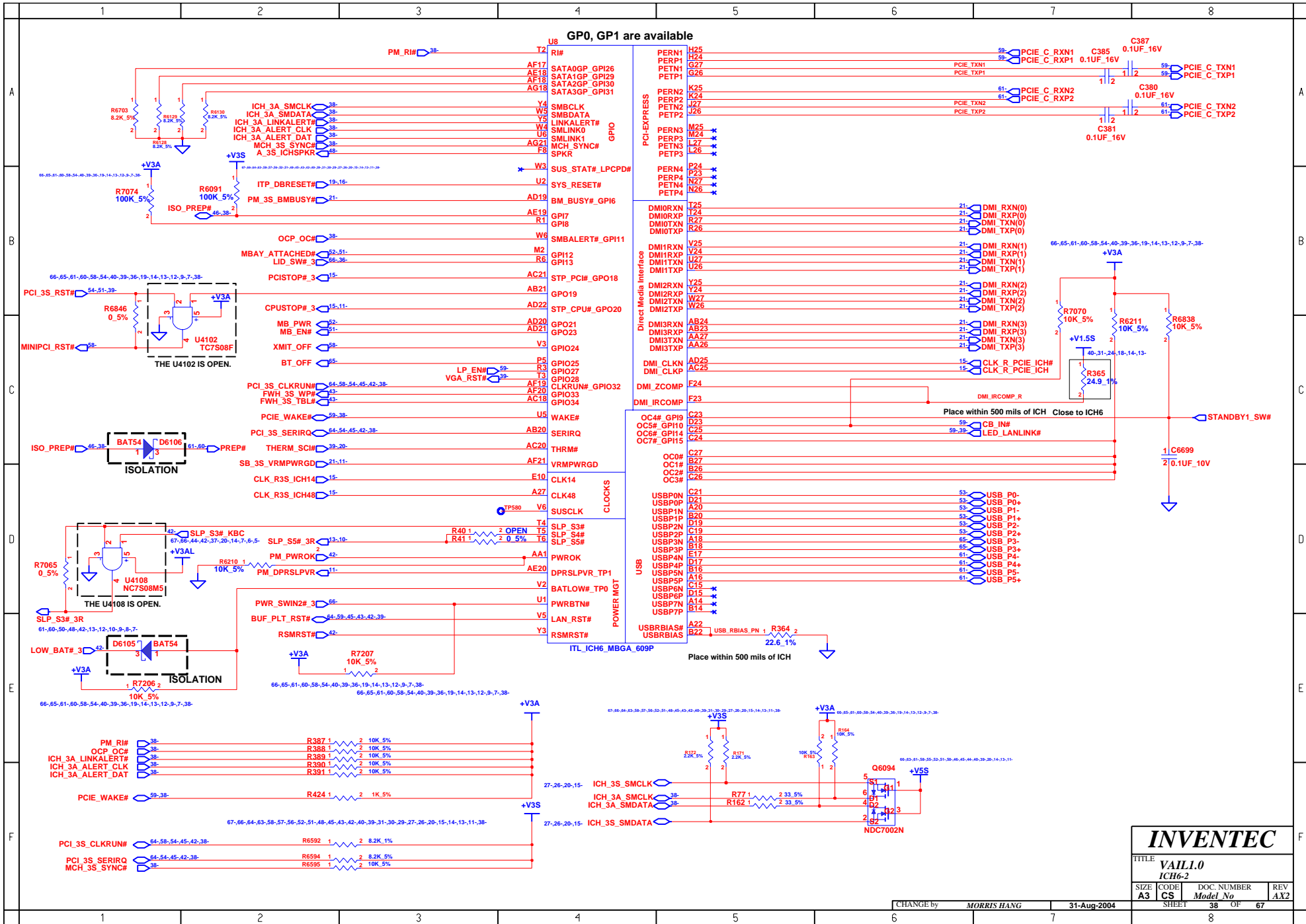


**INVENTEC**

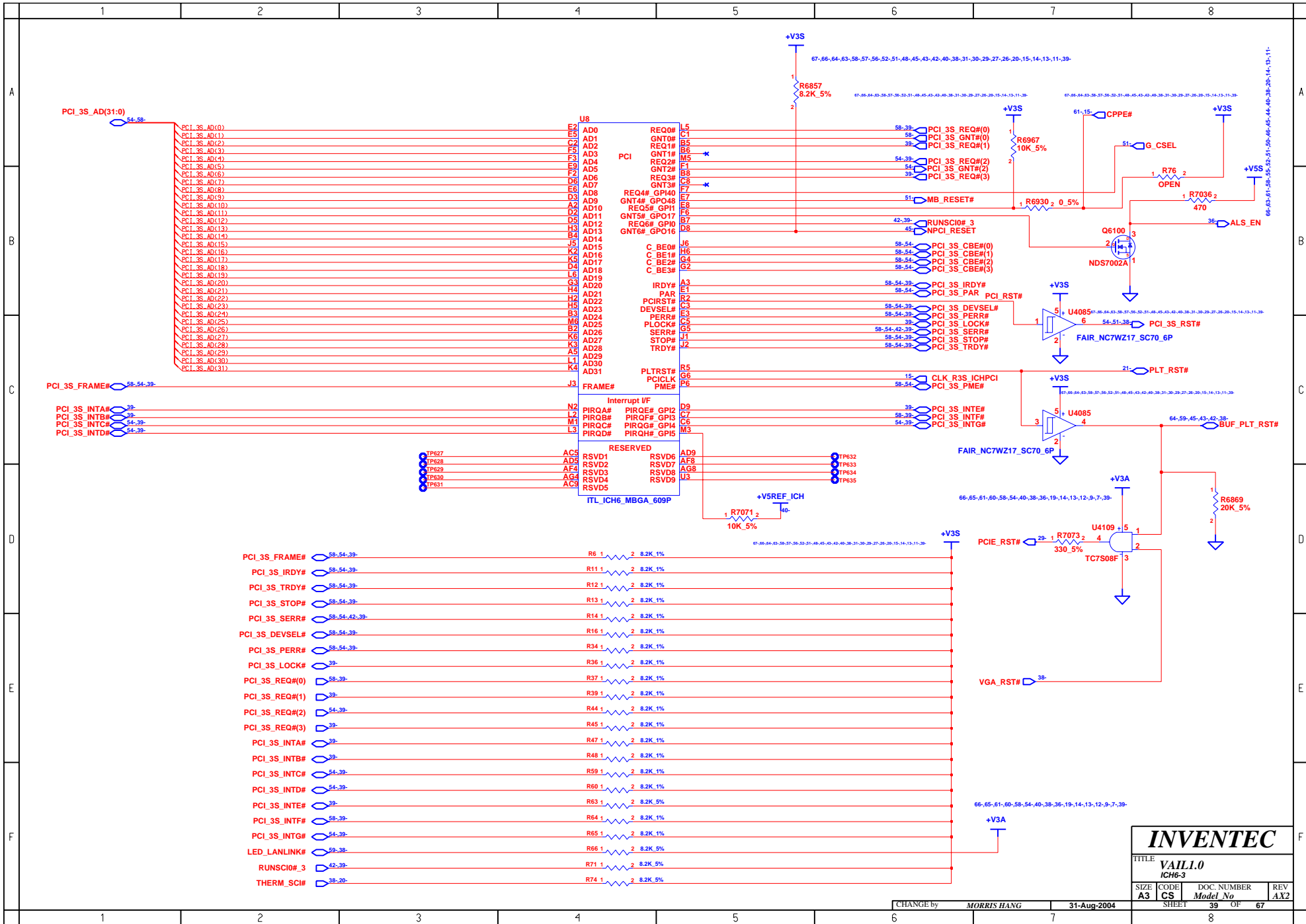
TITLE  
**VAIL1.0**  
**ICH6-1**

SIZE	CODE	DOC. NUMBER	REV
A3	CS	Model No	AX2

CHANGE by **MORRIS HANG**    31-Aug-2004    SHEET **37** OF **67**

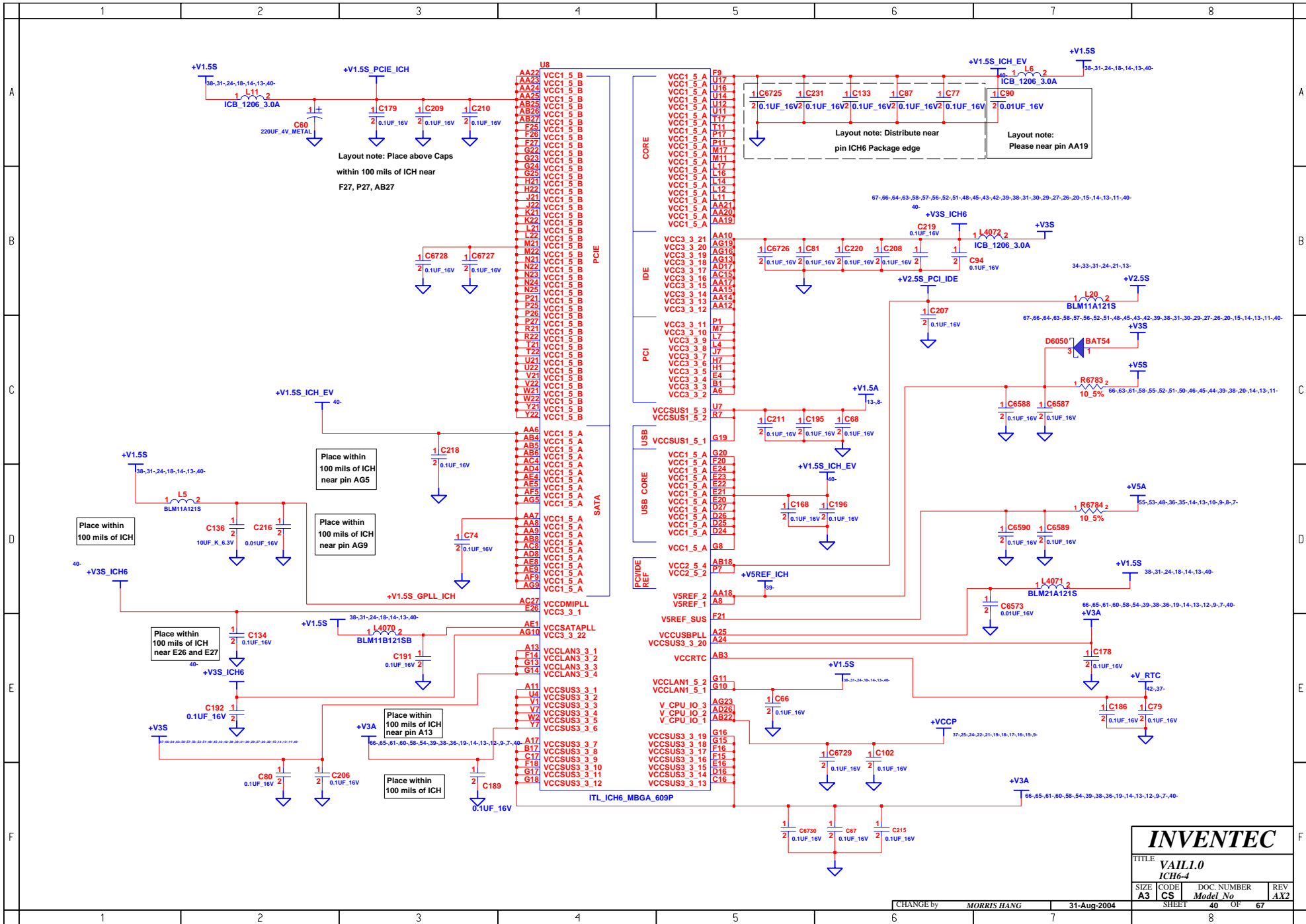


<b>INVENTEC</b>			
TITLE <b>VAILI.0</b>			
<b>ICH6-2</b>			
SIZE	CODE	DOC. NUMBER	REV
A3	CS	Model No	AX2
CHANGE by		31-Aug-2004	
MORRIS HANG		31-Aug-2004	
SHEET		38 OF 67	



<b>INVENTEC</b>			
TITLE <b>VAIL1.0</b>			
IC#6-3			
SIZE	CODE	DOC. NUMBER	REV
A3	CS	Model No	AX2
SHEET		39	OF 67

CHANGE by MORRIS HANG 31-Aug-2004



<b>INVENTEC</b>				
TITLE <b>VAIL1.0</b>				
<b>ICH6-4</b>				
SIZE	CODE	DOC. NUMBER	REV	
A3	CS	Model No	AX2	
CHANGE by <b>MORRIS HANG</b>			31-Aug-2004	
SHEET <b>40</b>			OF <b>67</b>	



	1	2	3	4	5	6	7	8	
A									A
B									B
C									C
D									D
E									E
F									F

U8

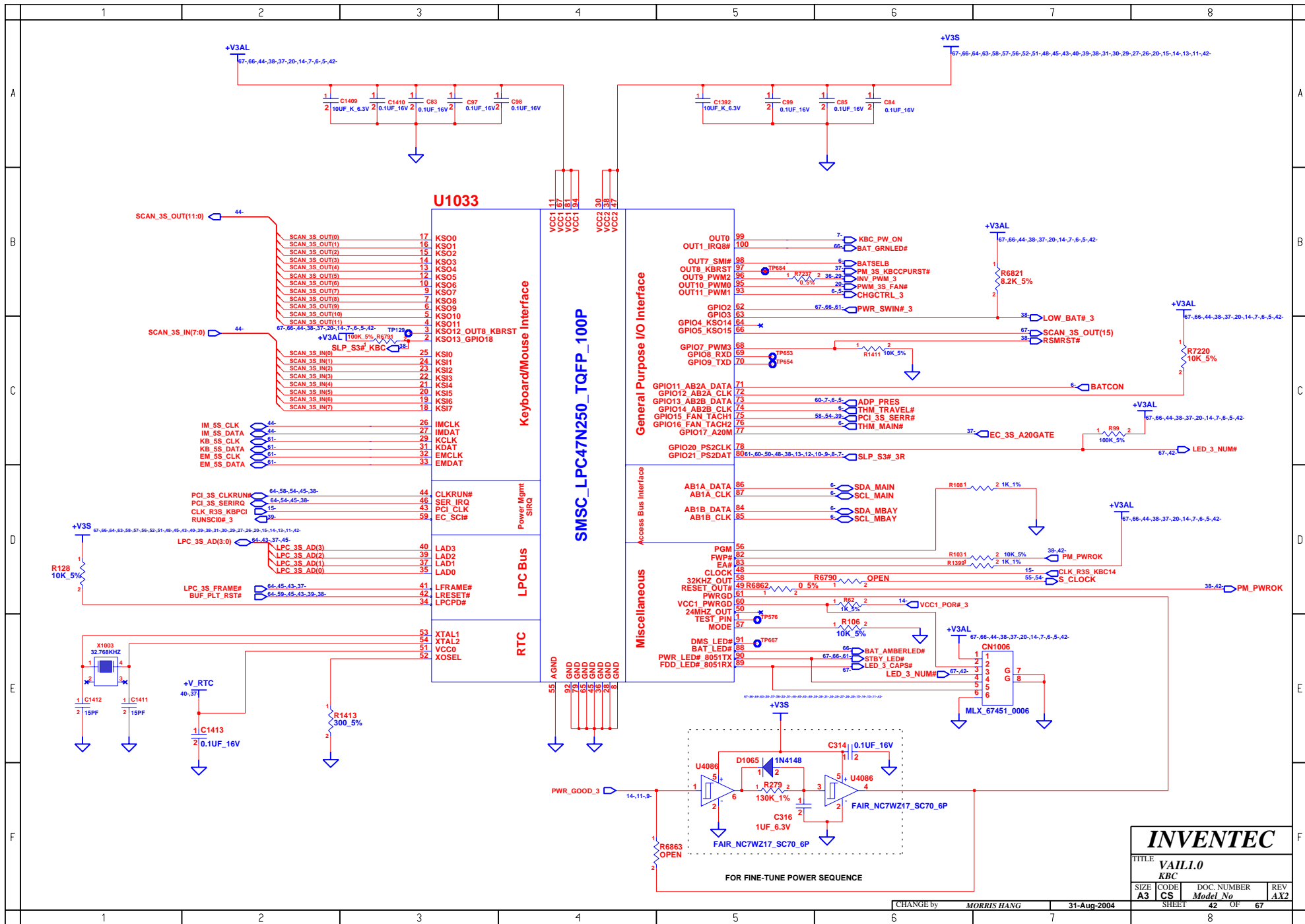
E27	VSS172	VSS86	F4
Y6	VSS171	VSS85	F22
Y27	VSS170	VSS84	F19
Y26	VSS169	VSS83	F17
Y23	VSS168	VSS82	E25
W7	VSS167	VSS81	E19
W25	VSS166	VSS80	E18
W24	VSS165	VSS79	E15
W23	VSS164	VSS78	E14
W4	VSS163	VSS77	D22
V27	VSS162	VSS76	D20
V26	VSS161	VSS75	D18
V23	VSS160	VSS74	D14
U25	VSS159	VSS73	D13
U24	VSS158	VSS72	D10
U23	VSS157	VSS71	D1
U15	VSS156	VSS70	C3
U13	VSS155	VSS69	C22
T7	VSS154	VSS68	C20
T27	VSS153	VSS67	C19
T26	VSS152	VSS66	C18
T23	VSS151	VSS65	B25
T16	VSS149	VSS63	B24
T14	VSS148	VSS62	B21
T13	VSS147	VSS61	B19
T12	VSS146	VSS60	B15
R4	VSS145	VSS59	B13
R25	VSS144	VSS58	AG7
R24	VSS143	VSS57	AG3
R23	VSS142	VSS56	AG22
R22	VSS141	VSS55	AG20
R17	VSS140	VSS54	AG1
R16	VSS139	VSS53	AG14
R15	VSS138	VSS52	AG12
R14	VSS137	VSS51	AG1
R13	VSS136	VSS50	AF7
R12	VSS135	VSS49	AF3
P22	VSS134	VSS48	AF28
P16	VSS133	VSS47	AF12
P15	VSS132	VSS46	AF10
P14	VSS131	VSS45	AF1
P13	VSS129	VSS43	AE7
P12	VSS128	VSS42	AE6
N7	VSS127	VSS41	AE25
N17	VSS126	VSS40	AE21
N16	VSS125	VSS39	AE12
N15	VSS124	VSS38	AE11
N14	VSS123	VSS37	AE10
N13	VSS122	VSS36	AD6
N12	VSS121	VSS35	AD24
N11	VSS120	VSS34	AD2
M4	VSS119	VSS33	AD18
M27	VSS118	VSS32	AD15
M26	VSS117	VSS31	AD10
M23	VSS116	VSS30	AD1
M16	VSS115	VSS29	AC3
M15	VSS114	VSS28	AC6
M14	VSS113	VSS27	AC26
M13	VSS112	VSS26	AC24
M12	VSS111	VSS25	AC23
L27	VSS110	VSS24	AC22
L26	VSS109	VSS23	AC12
L24	VSS108	VSS22	AC10
L23	VSS107	VSS21	AB9
L15	VSS106	VSS20	AB9
L13	VSS105	VSS19	AB2
K7	VSS104	VSS18	AB19
K27	VSS103	VSS17	AB19
K26	VSS102	VSS16	AB10
K23	VSS101	VSS15	AB1
K1	VSS100	VSS14	AA4
J4	VSS99	VSS13	AA16
J26	VSS98	VSS12	AA13
J24	VSS97	VSS11	AA11
J23	VSS96	VSS10	A9
H27	VSS95	VSS9	A7
H26	VSS94	VSS8	A4
H23	VSS93	VSS7	A26
G9	VSS92	VSS6	A23
G7	VSS91	VSS5	A21
G21	VSS90	VSS4	A19
G12	VSS89	VSS3	A15
G1	VSS88	VSS2	A12
	VSS87	VSS1	A1

ITL\_ICH6\_MBGGA\_609P



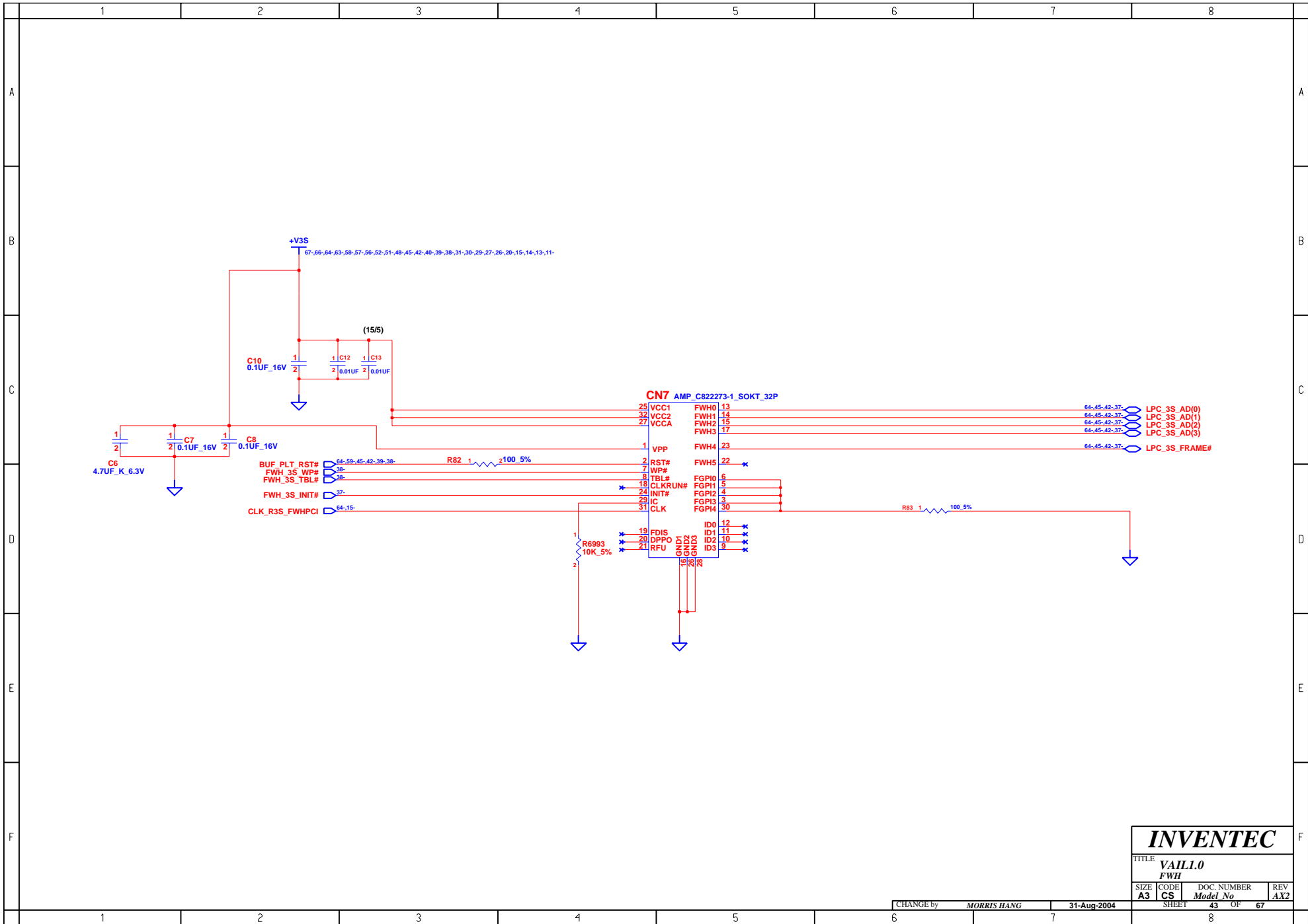
<b>INVENTEC</b>			
TITLE <b>VAIL1.0</b>			
<b>ICH6-5</b>			
SIZE	CODE	DOC. NUMBER	REV
<b>A3</b>	<b>CS</b>	<i>Model No</i>	<b>AX2</b>
SHEET		41 OF	67

CHANGE by **MORRIS HANG** 31-Aug-2004



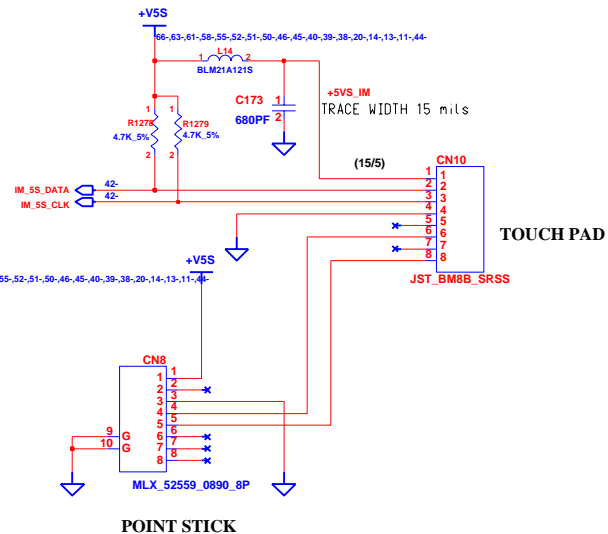
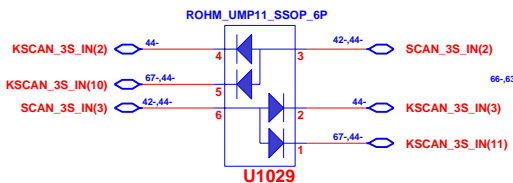
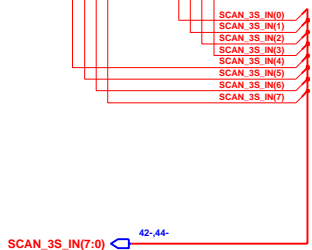
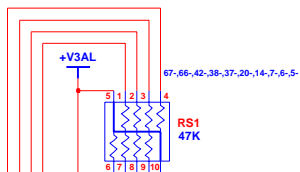
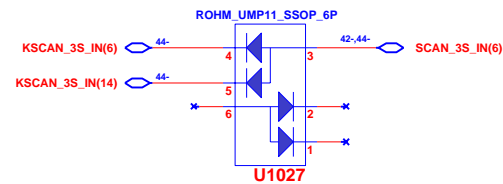
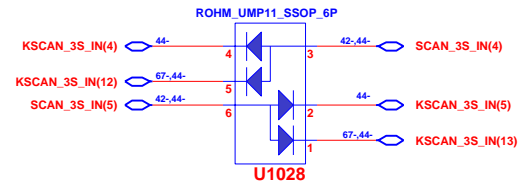
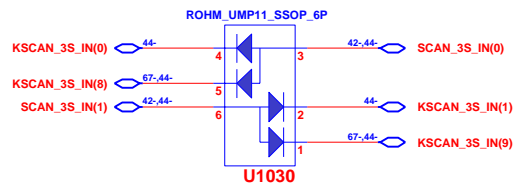
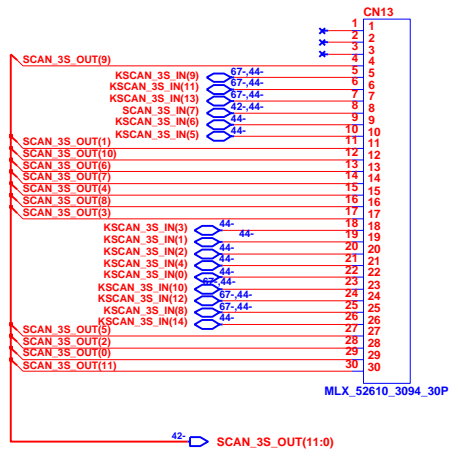
<b>INVENTEC</b>			
TITLE <b>VAIL1.0</b>			
KBC			
SIZE	CODE	DOC. NUMBER	REV
A3	CS	Model No	AX2
SHEET 42		OF 67	

CHANGE by **MORRIS HANG** 31-Aug-2004



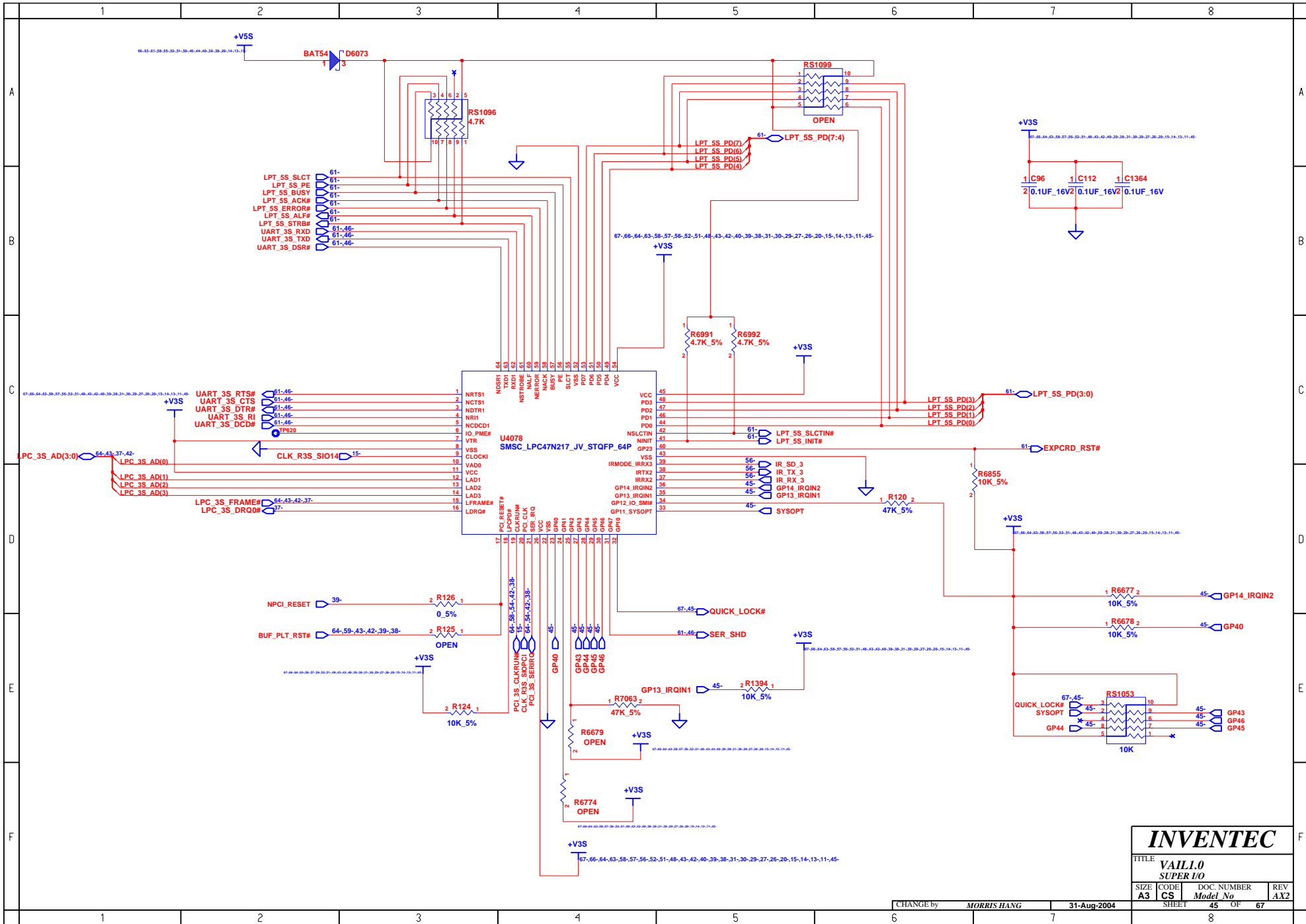
**INVENTEC**

TITLE			
VAIL1.0			
FWH			
SIZE	CODE	DOC. NUMBER	REV
A3	CS	Model No	AX2

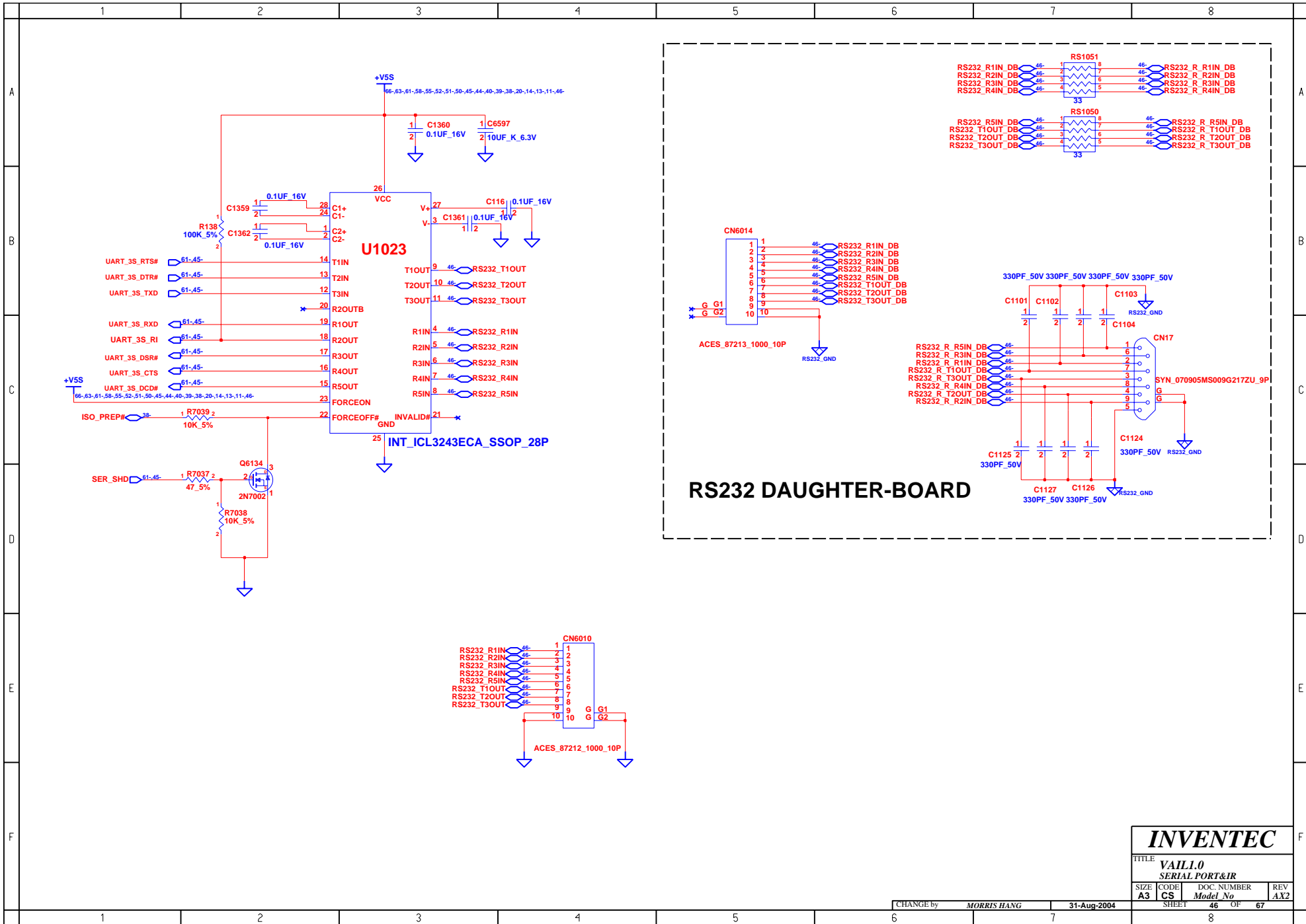


**INVENTEC**

TITLE			
VAIL1.0			
INT.KBC/POINT DEVICES			
SIZE	CODE	DOC. NUMBER	REV
A3	CS	Model No	AX2



<b>INVENTEC</b>			
TITLE <b>VAIL1.0 SUPER I/O</b>			
SIZE <b>A3</b>	CODE <b>CS</b>	DOC. NUMBER <b>Model No</b>	REV <b>AX2</b>
CHANGE by <b>MORRIS HANG</b>		31-Aug-2004	SHEET <b>45</b> OF <b>67</b>
1		2	8

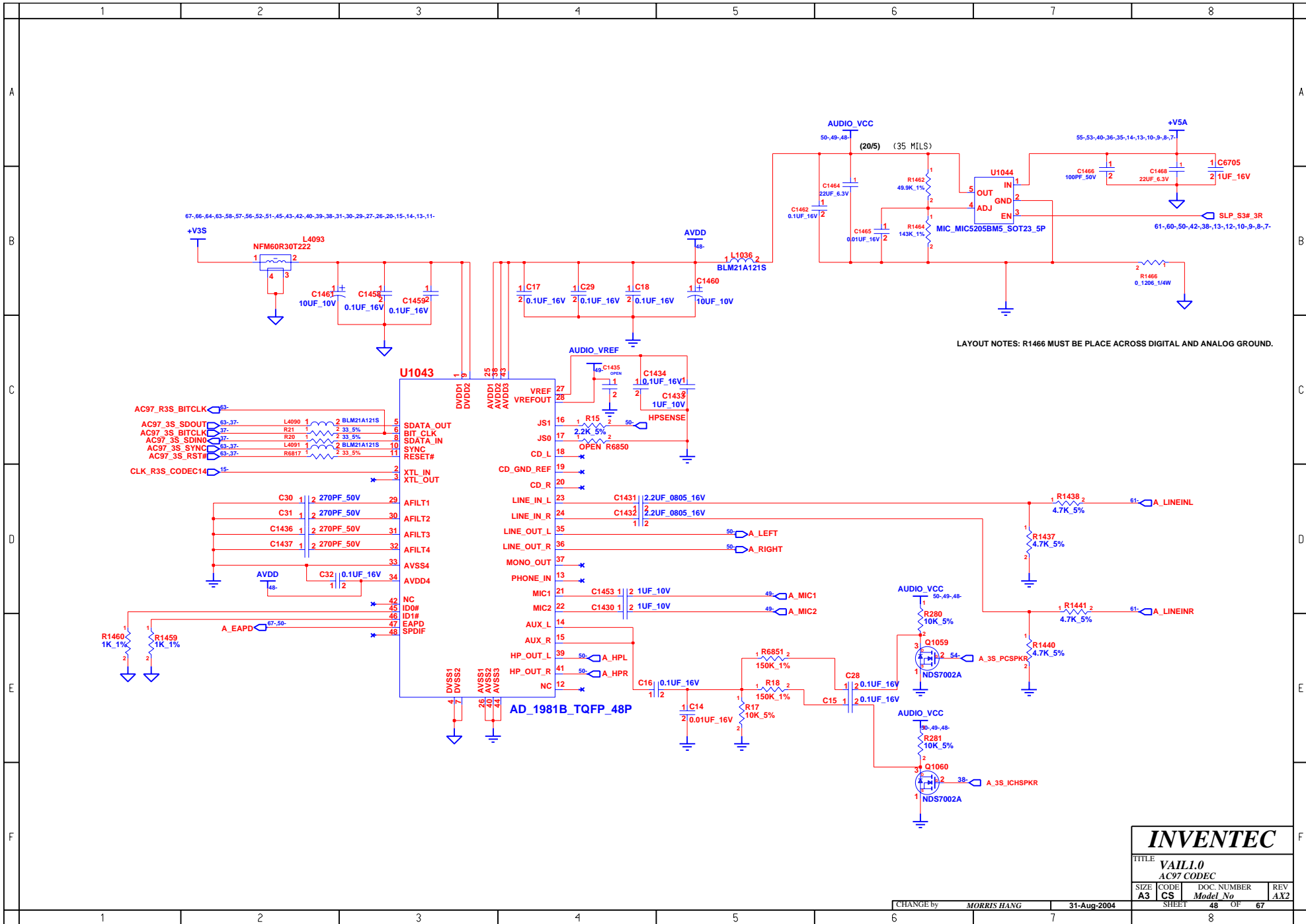


**RS232 DAUGHTER-BOARD**

<b>INVENTEC</b>			
TITLE <b>VAIL1.0</b> <b>SERIAL PORT&amp;IR</b>			
SIZE <b>A3</b>	CODE <b>CS</b>	DOC. NUMBER <i>Model No</i>	REV <b>AX2</b>
CHANGE by <i>MORRIS HANG</i>		31-Aug-2004	
SHEET <b>46</b>		OF <b>67</b>	

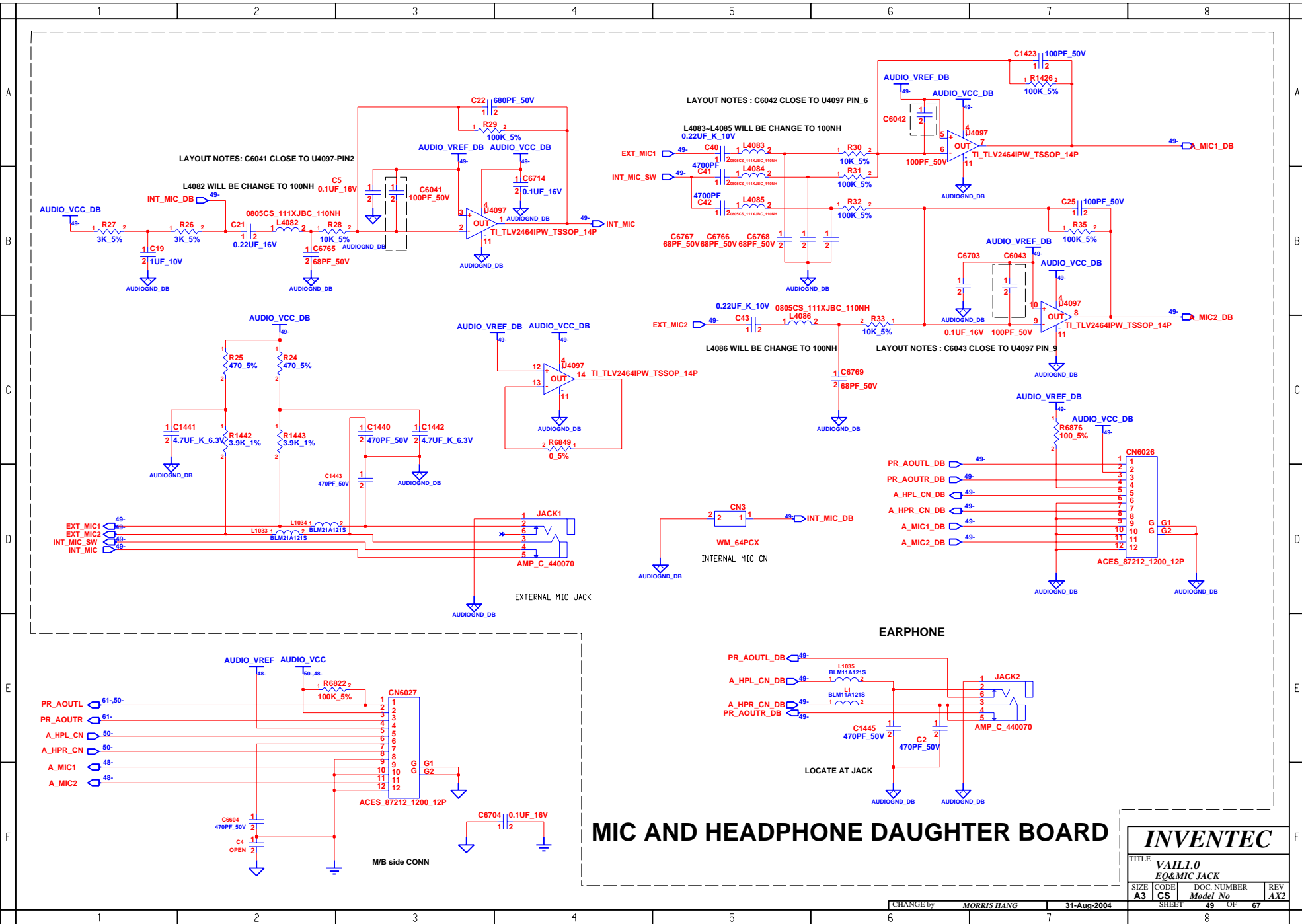
**BLANK**

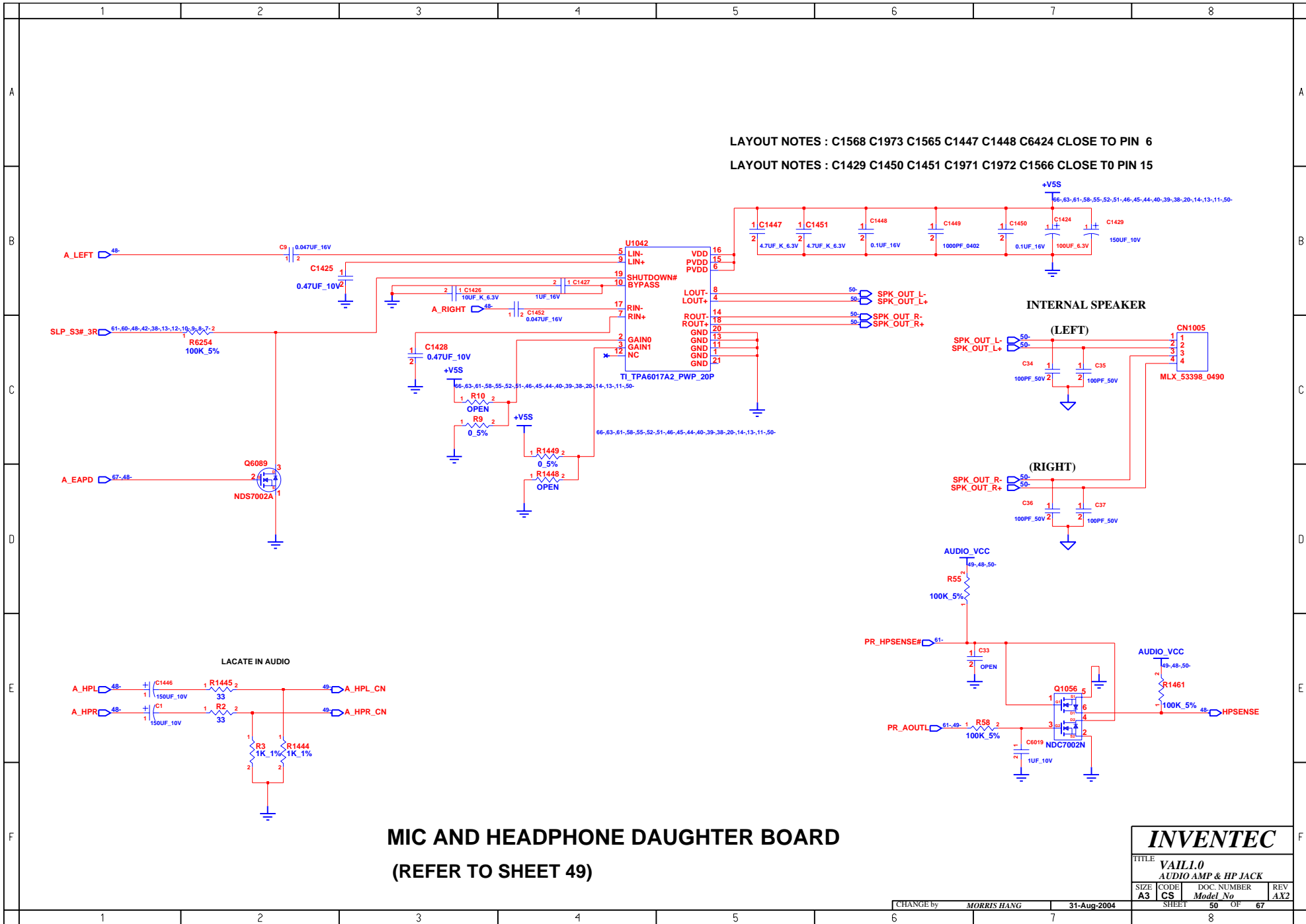
<b>INVENTEC</b>			
TITLE <i>VAILLO PARALLER PORT</i>			
SIZE <b>A3</b>	CODE <b>CS</b>	DOC. NUMBER <i>Model No.</i>	REV <b>AX2</b>
CHANGE by <i>MORRIS HANG</i>		31-Aug-2004	
SHEET <b>47</b>		OF <b>67</b>	



<b>INVENTEC</b>			
TITLE <b>VAIL1.0 AC97 CODEC</b>			
SIZE <b>A3</b>	CODE <b>CS</b>	DOC. NUMBER <i>Model No</i>	REV <b>AX2</b>
CHANGE by <i>MORRIS HANG</i>		31-Aug-2004	
SHEET <b>48</b>		OF <b>67</b>	





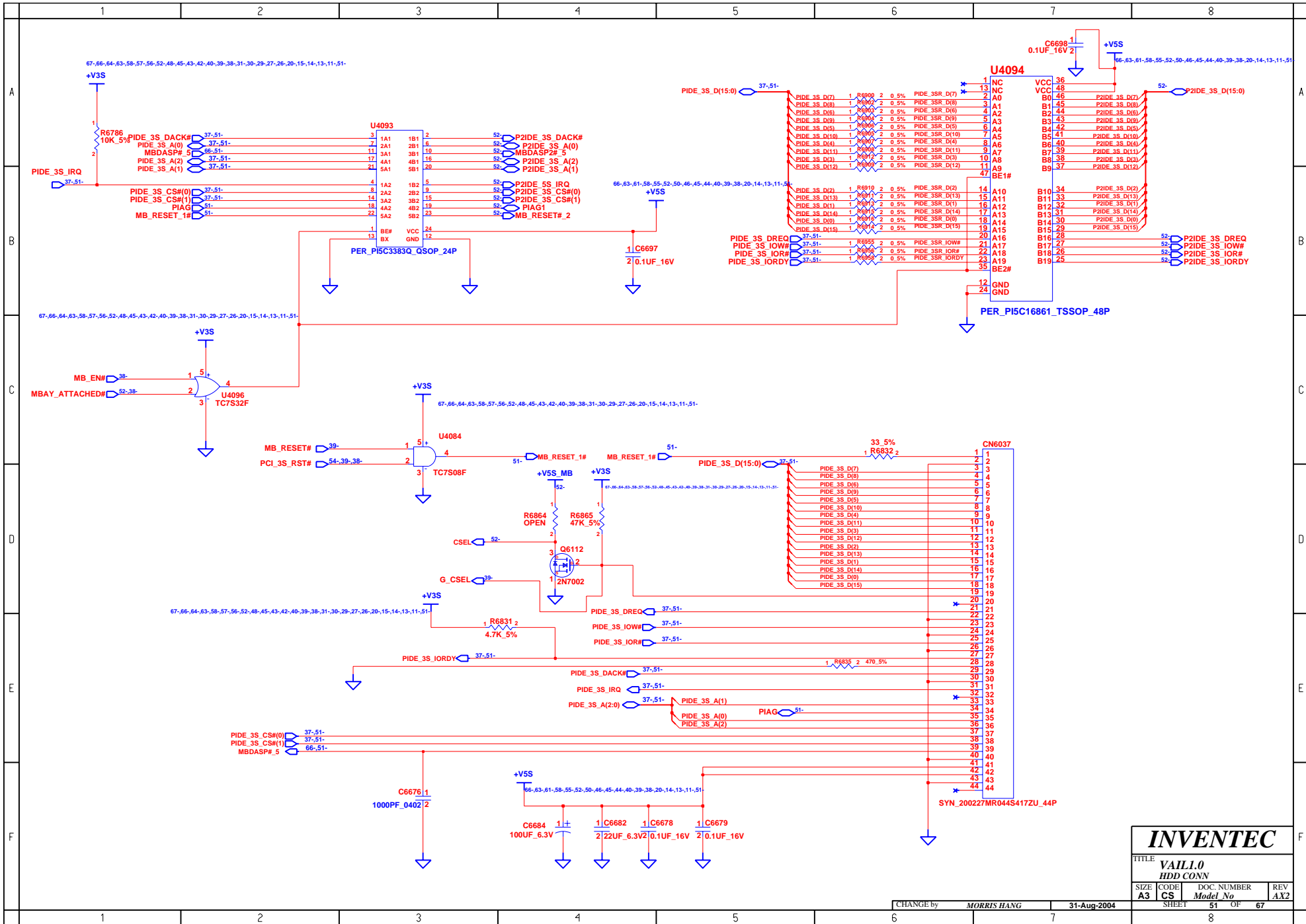


LAYOUT NOTES : C1568 C1973 C1565 C1447 C1448 C6424 CLOSE TO PIN 6

LAYOUT NOTES : C1429 C1450 C1451 C1971 C1972 C1566 CLOSE TO PIN 15

**MIC AND HEADPHONE DAUGHTER BOARD**  
**(REFER TO SHEET 49)**

<b>INVENTEC</b>			
TITLE VAILI.0 AUDIO AMP & HP JACK			
SIZE A3	CODE CS	DOC. NUMBER Model No	REV AX2
CHANGE by MORRIS HANG		31-Aug-2004	
SHEET 50		OF 67	



**INVENTEC**

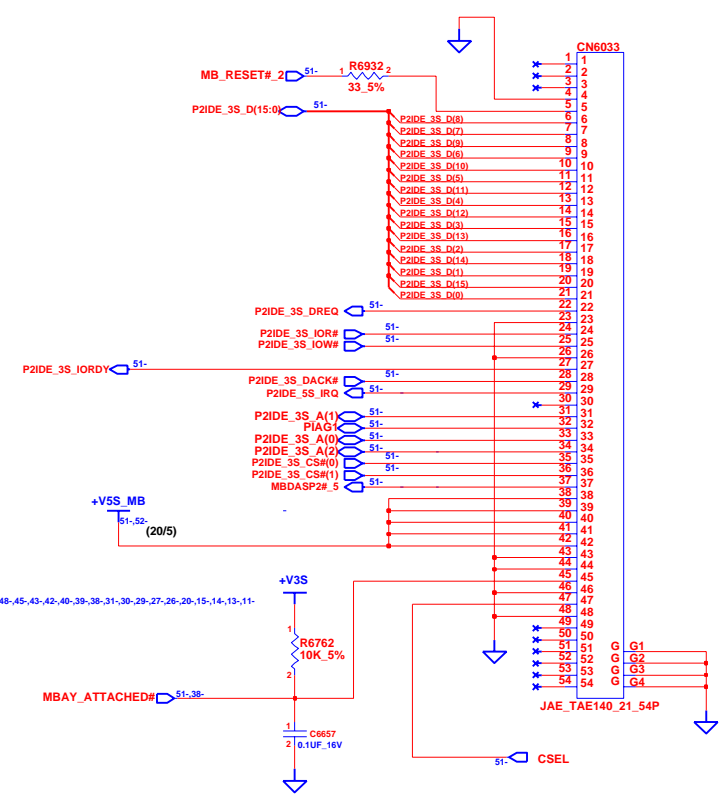
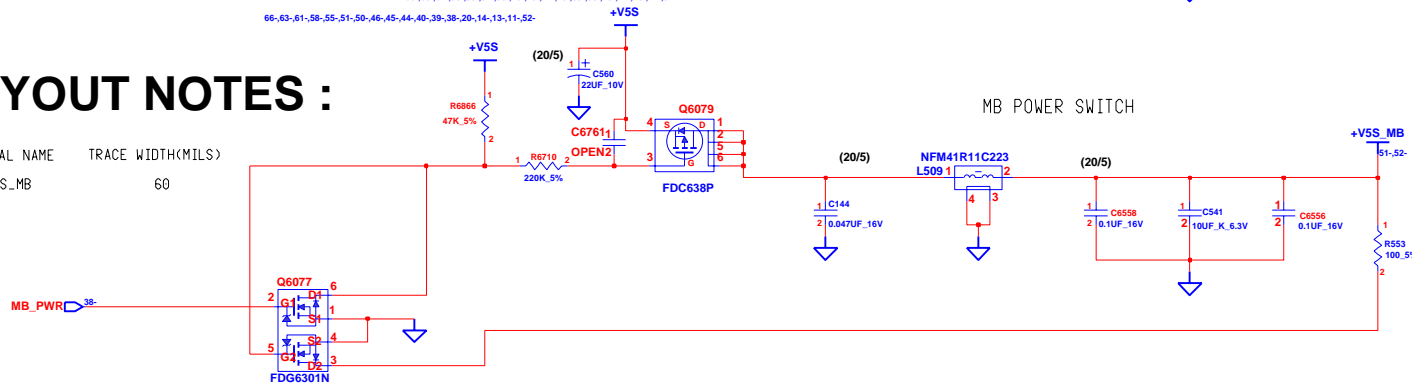
TITLE **VAIL1.0  
HDD CONN**

SIZE <b>A3</b>	CODE <b>CS</b>	DOC. NUMBER	REV <b>AX2</b>
SHEET <b>51</b>		OF <b>67</b>	

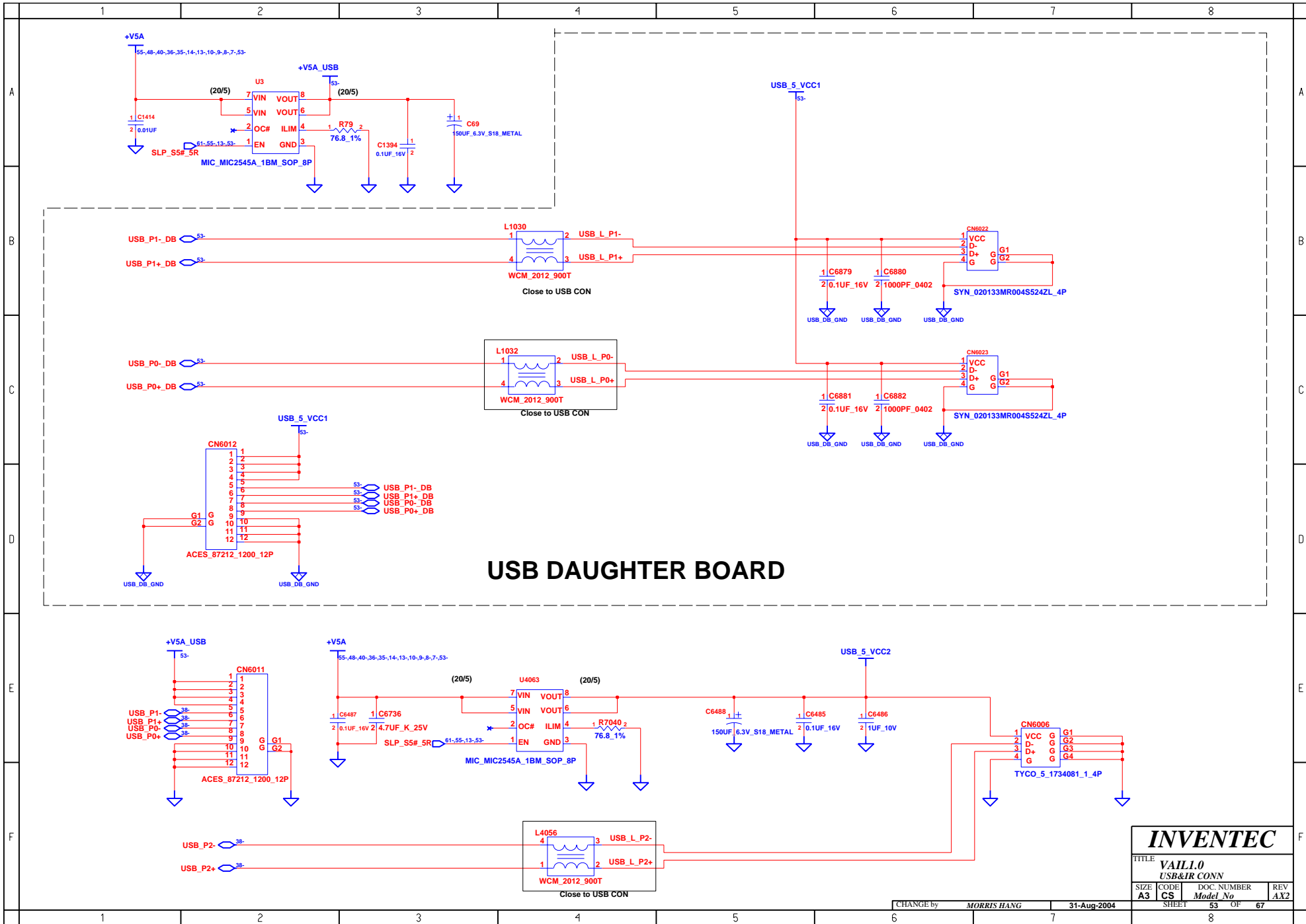
CHANGE by **MORRIS HANG** 31-Aug-2004

# LAYOUT NOTES :

SIGNAL NAME	TRACE WIDTH(MILS)
+VSS_MB	60

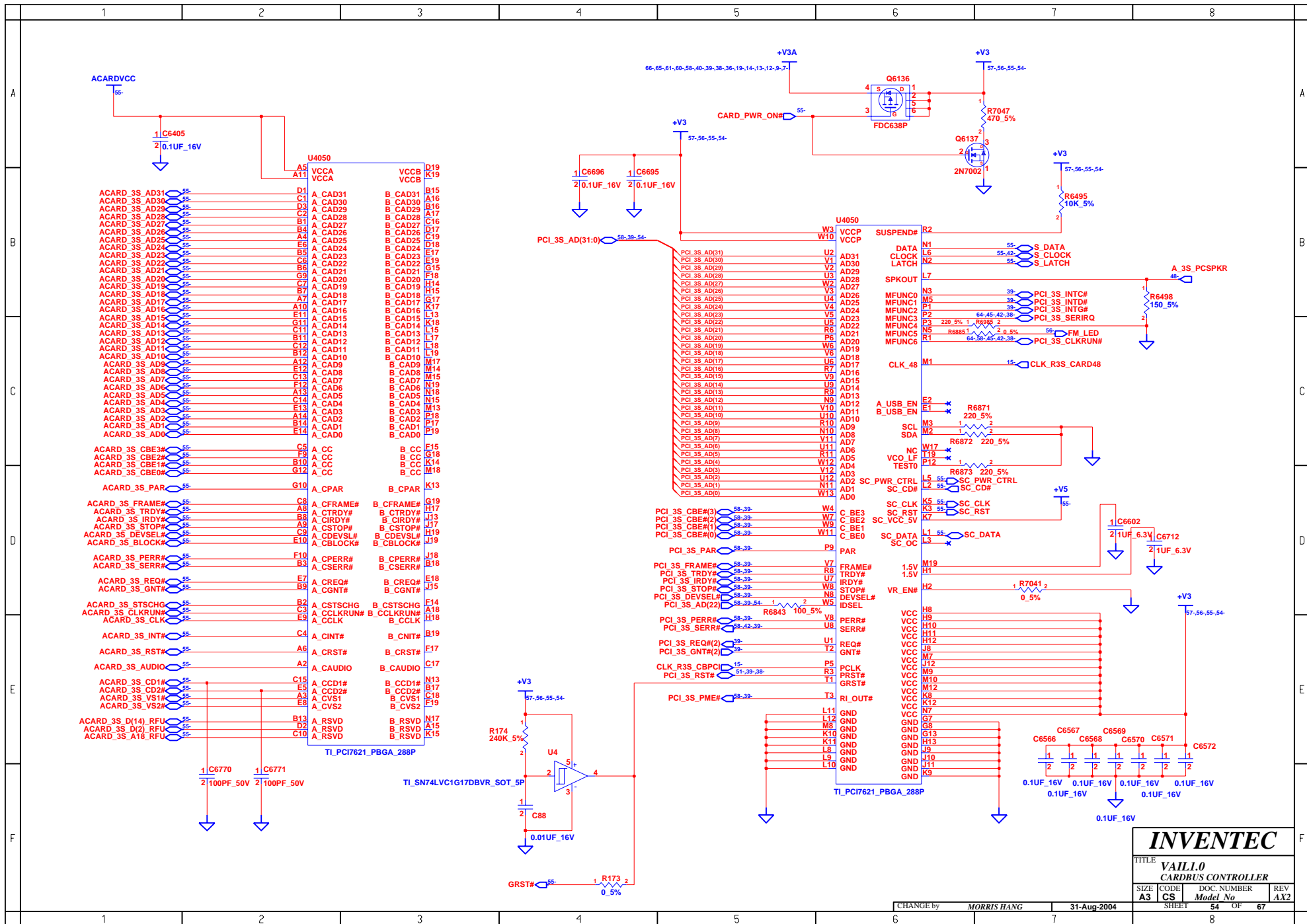


<b>INVENTEC</b>			
TITLE <b>VAIL1.0</b>			
MULTIBAY CONN			
SIZE	CODE	DOC. NUMBER	REV
A3	CS	Model No	AX2
CHANGE by		MORRIS HANG	31-Aug-2004
SHEET		52	OF 67



# USB DAUGHTER BOARD

<b>INVENTEC</b>			
TITLE <b>VAIL1.0</b> USB&IR CONN			
SIZE <b>A3</b>	CODE <b>CS</b>	DOC. NUMBER <i>Model No</i>	REV <b>AX2</b>
CHANGE by <i>MORRIS HANG</i>		31-Aug-2004	
SHEET <b>53</b>		OF <b>67</b>	

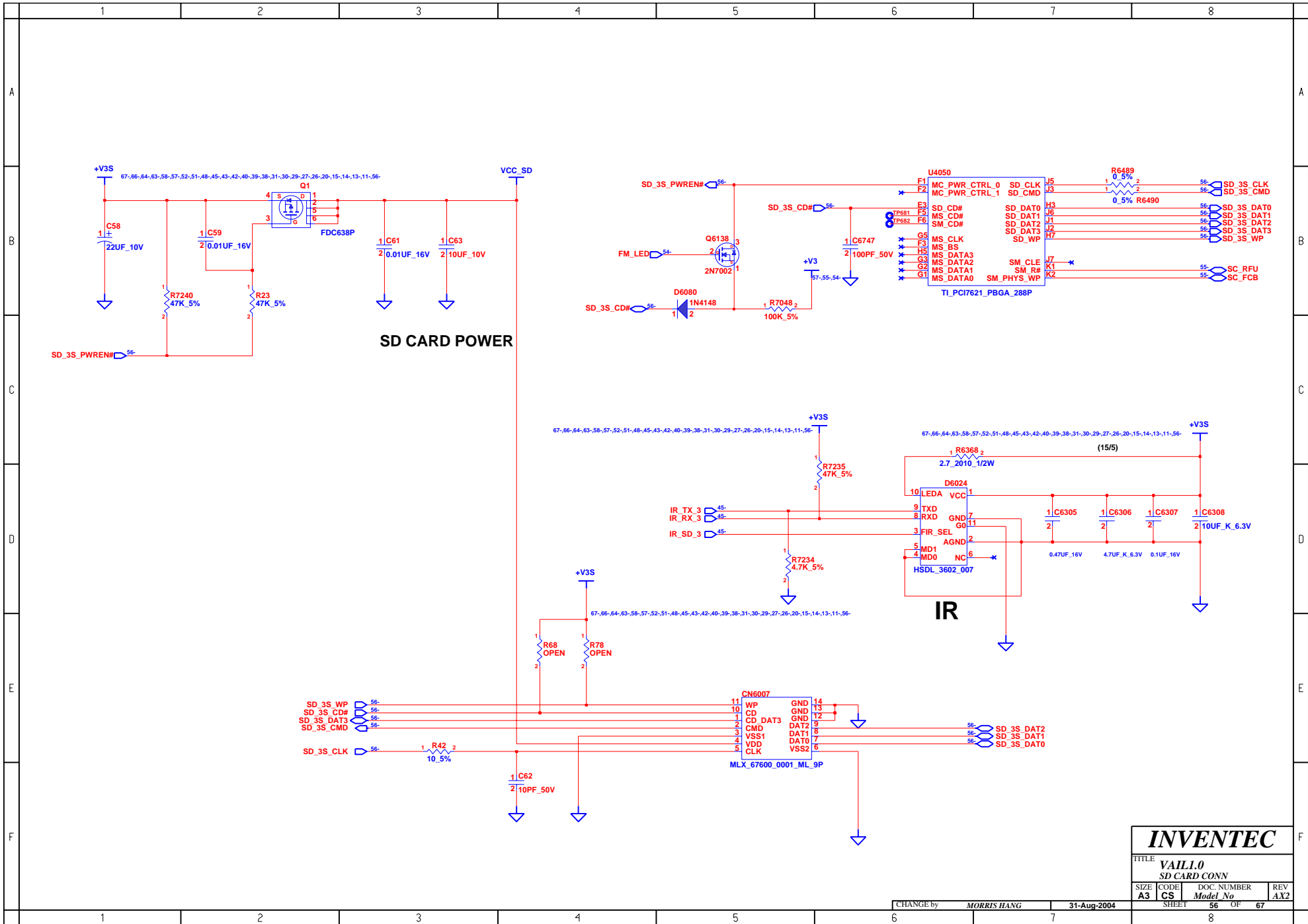


# INVENTEC

TITLE **VAILL0**  
**CARBUS CONTROLLER**

SIZE	CODE	DOC. NUMBER	REV
A3	CS	Model No	AX2





**SD CARD POWER**

**IR**

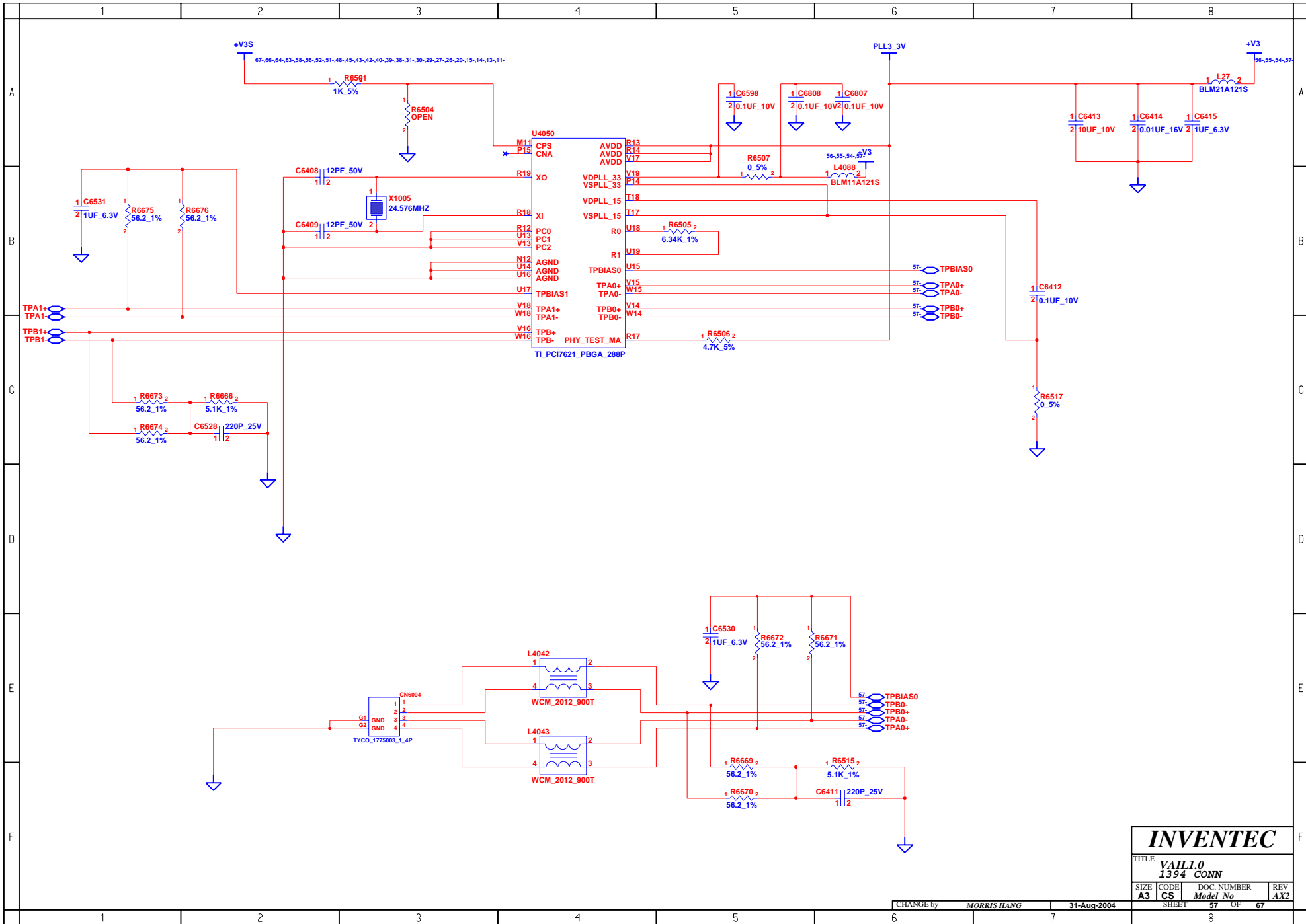
**INVENTEC**

TITLE			
VAIL1.0			
SD CARD CONN			
SIZE	CODE	DOC. NUMBER	REV
A3	CS	Model No	AX2

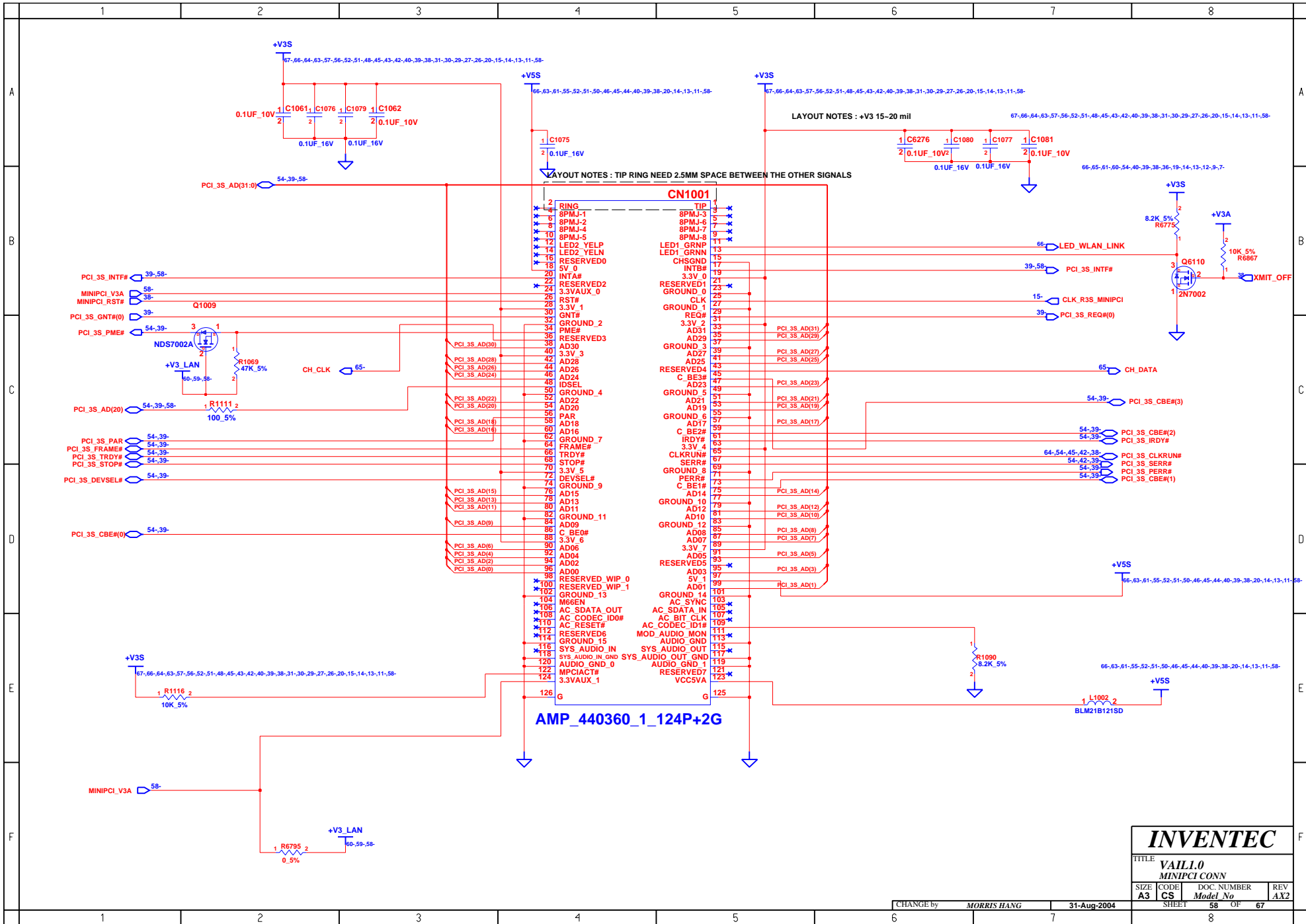
CHANGE by MORRIS HANG 31-Aug-2004

SHEET 56 OF 67

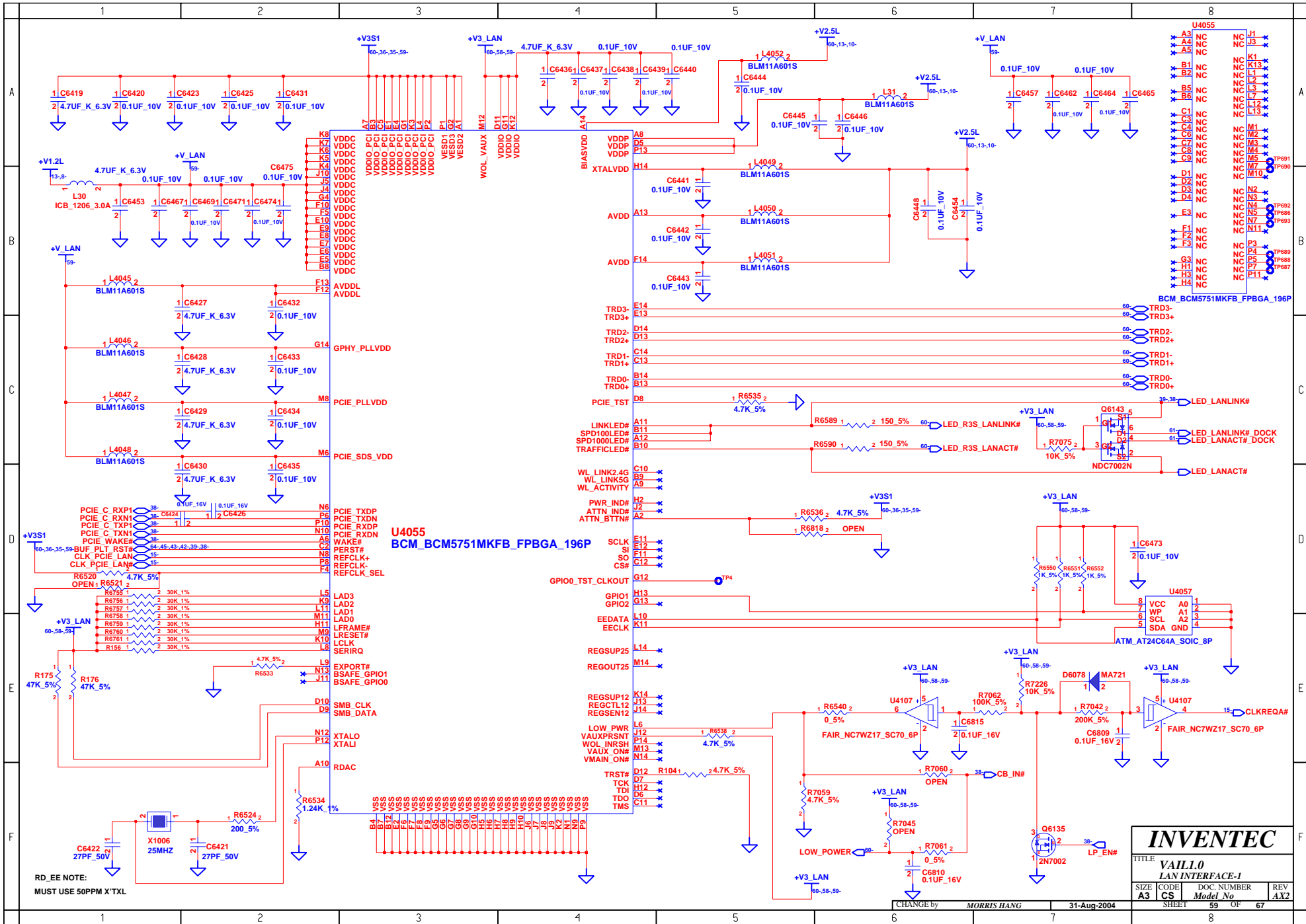




<b>INVENTEC</b>			
TITLE <b>VAIL1.0</b> <b>1394_CONN</b>			
SIZE <b>A3</b>	CODE <b>CS</b>	DOC. NUMBER <i>Model No</i>	REV <b>AX2</b>
CHANGE by <i>MORRIS HANG</i>		31-Aug-2004	
SHEET		OF	67
1		8	

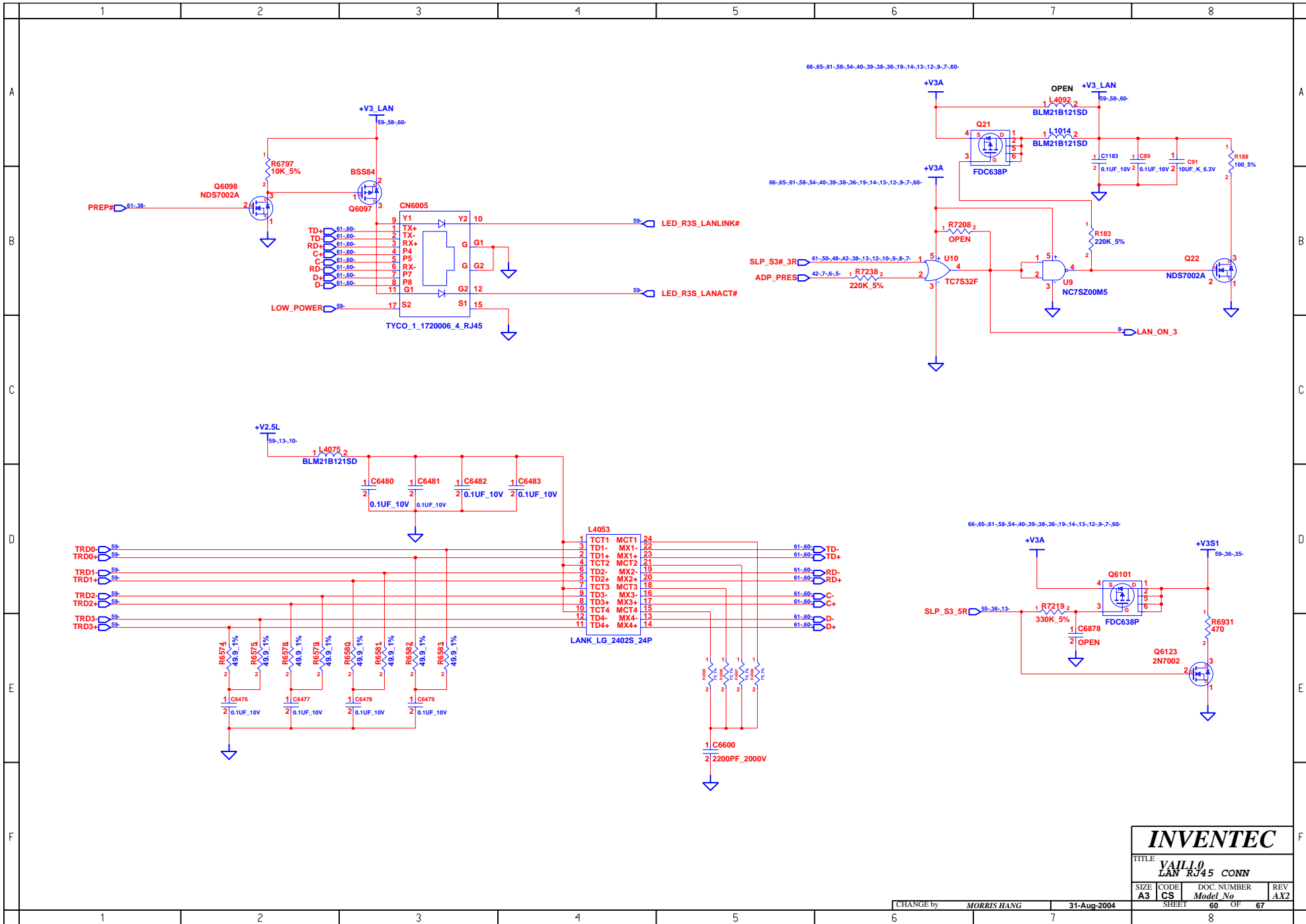


INVENTEC			
TITLE: VAIL1.0 MINIPCI CONN			
SIZE	CODE	DOC. NUMBER	REV
A3	CS	Model No	AX2



RD\_EE NOTE:  
MUST USE 50PPM X'TXL

<b>INVENTEC</b>			
TITLE <b>VAILL0</b> <b>LAN INTERFACE-1</b>			
SIZE	CODE	DOC NUMBER	REV
A3	CS	Model No	AX2
CHANGE by		31-Aug-2004	
MORRIS HANG			
SHEET		59	OF 67



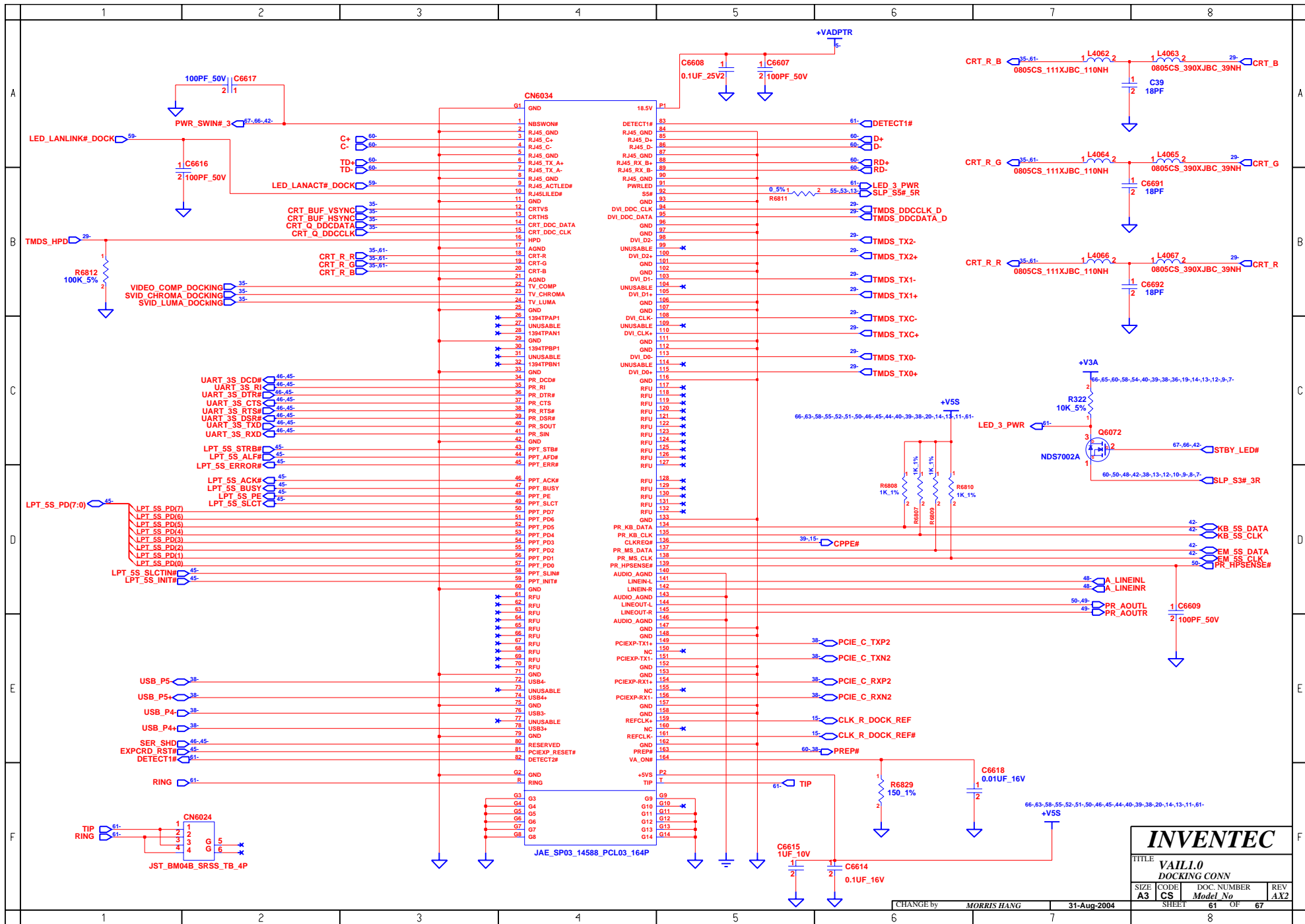
# INVENTEC

TITLE **VALL1.0**  
**LAN RJ45 CONN**

SIZE	CODE	DOC. NUMBER	REV
A3	CS	Model No	AX2

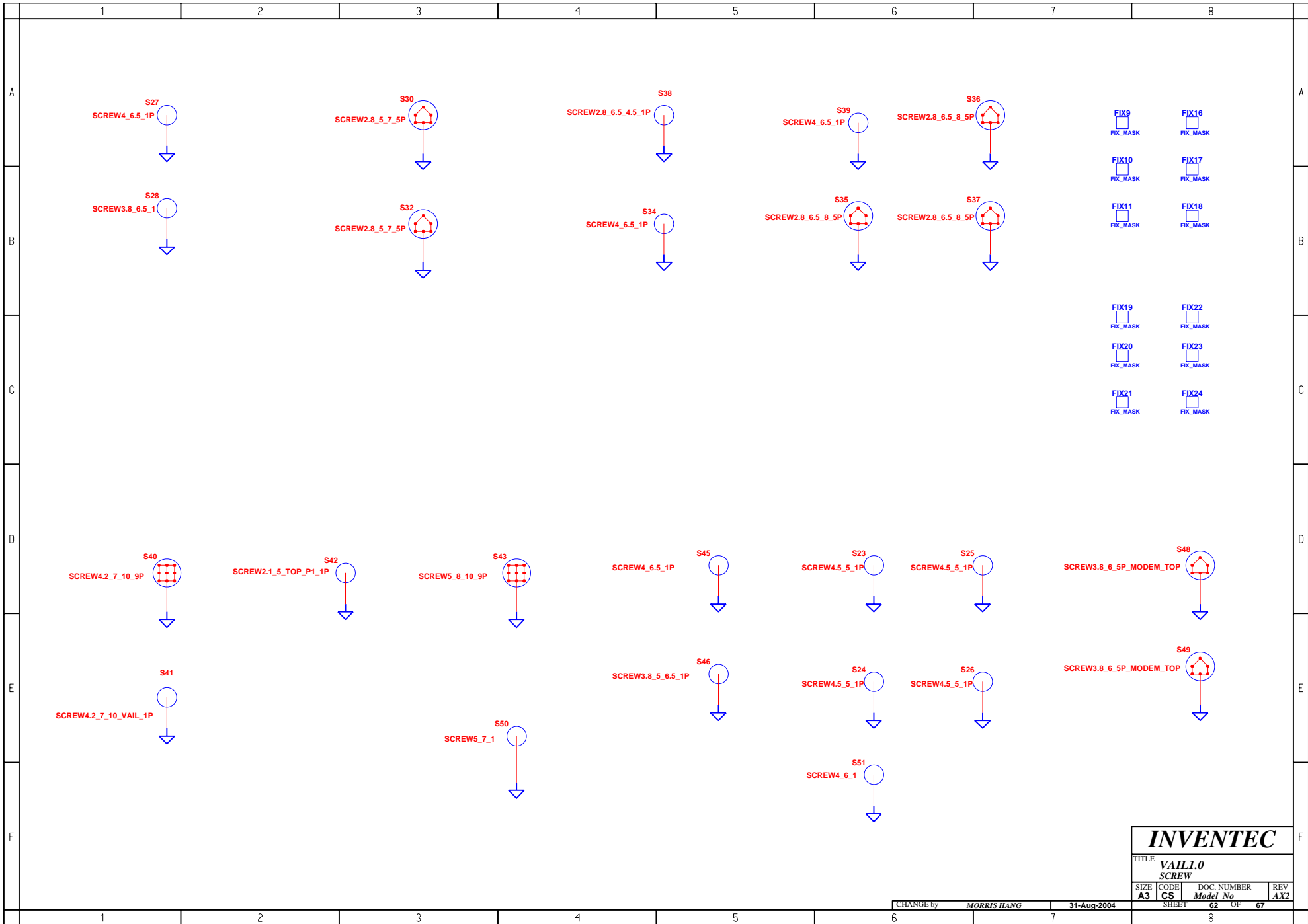
CHANGE by **MORRIS HANG** 31-Aug-2004

SHEET **60** OF **67**

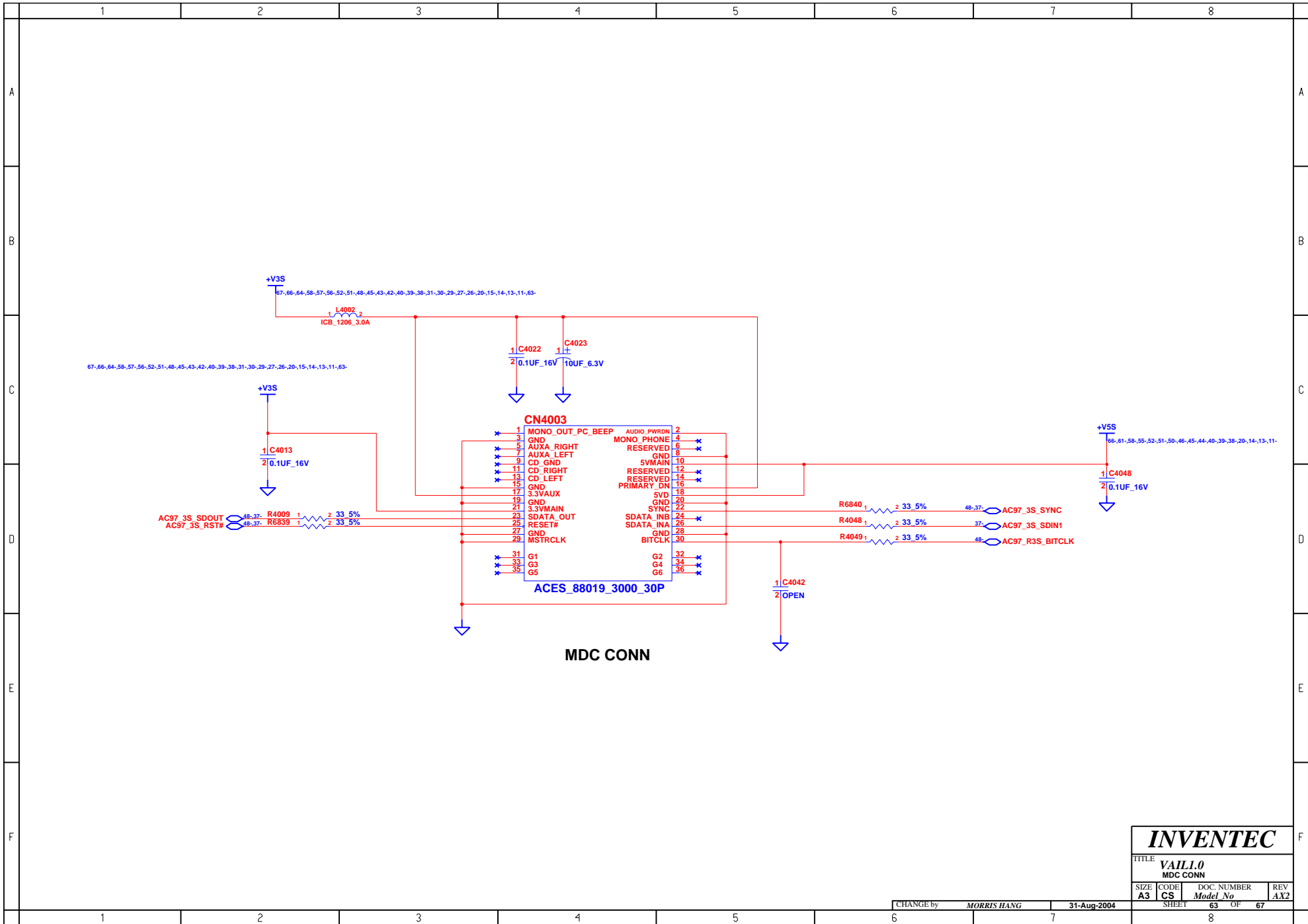


<b>INVENTEC</b>			
TITLE <b>VAILI.0 DOCKING CONN</b>			
SIZE <b>A3</b>	CODE <b>CS</b>	DOC NUMBER <b>Model No</b>	REV <b>AX2</b>
SHEET <b>61</b>		OF <b>67</b>	

CHANGE by **MORRIS HANG** 31-Aug-2004



<b>INVENTEC</b>			
TITLE <b>VAIL1.0</b>			
SCREW			
SIZE <b>A3</b>	CODE <b>CS</b>	DOC. NUMBER <i>Model No</i>	REV <b>AX2</b>
CHANGE by <i>MORRIS HANG</i>		31-Aug-2004	
SHEET <b>62</b>		OF <b>67</b>	



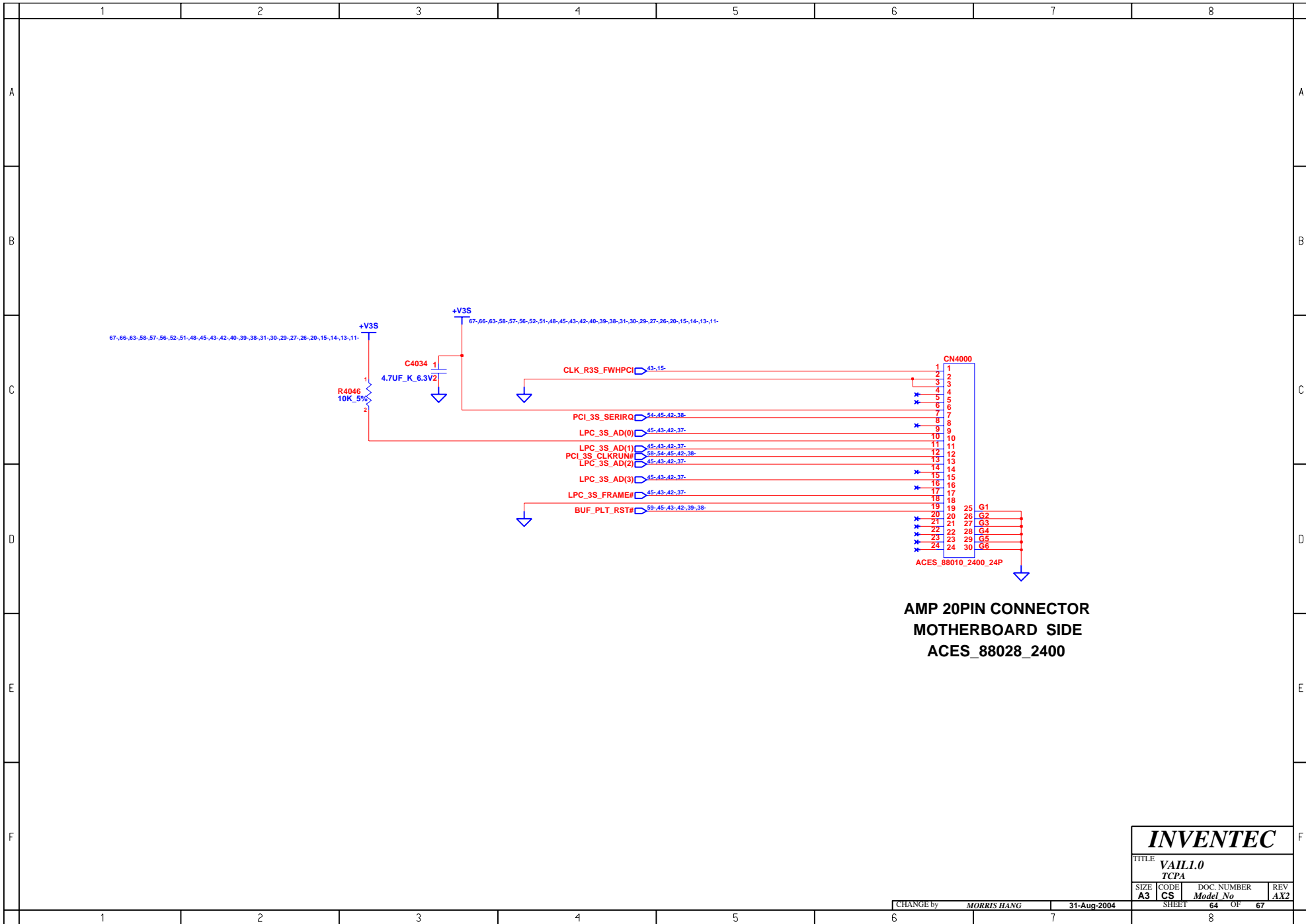
**INVENTEC**

TITLE **VAIL1.0**  
MDC CONN

SIZE <b>A3</b>	CODE <b>CS</b>	DOC. NUMBER <i>Model No</i>	REV <b>AX2</b>
-------------------	-------------------	--------------------------------	-------------------

CHANGE by *MORRIS HANG* 31-Aug-2004

SHEET 63 OF 67



AMP 20PIN CONNECTOR  
MOTHERBOARD SIDE  
ACES\_88028\_2400

**INVENTEC**

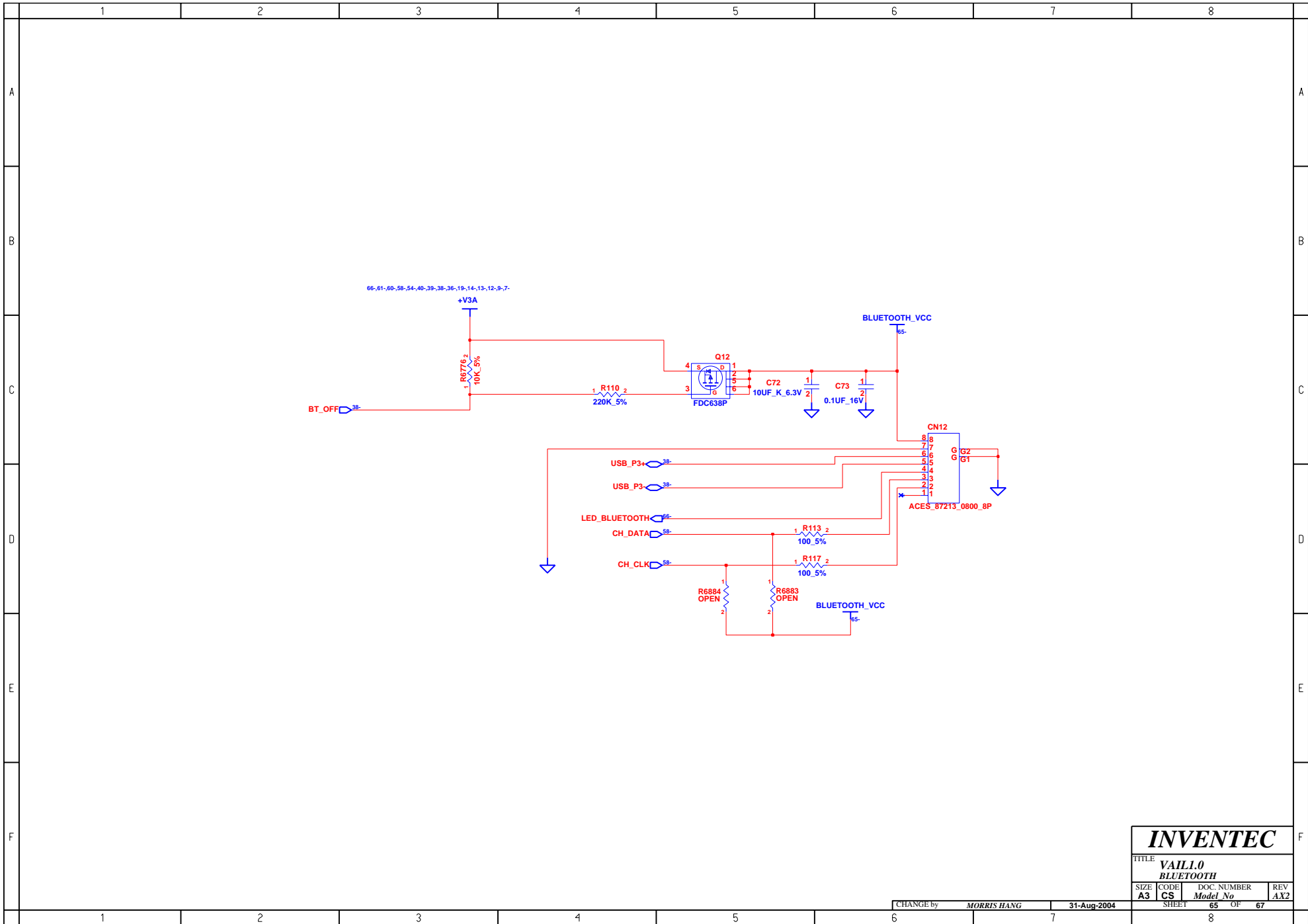
TITLE *VAIL1.0*  
*TCPA*

SIZE <b>A3</b>	CODE <b>CS</b>	DOC. NUMBER <i>Model No</i>	REV <b>AX2</b>
-------------------	-------------------	--------------------------------	-------------------

CHANGE by *MORRIS HANG* 31-Aug-2004

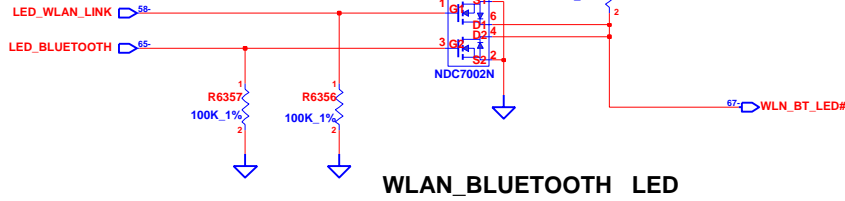
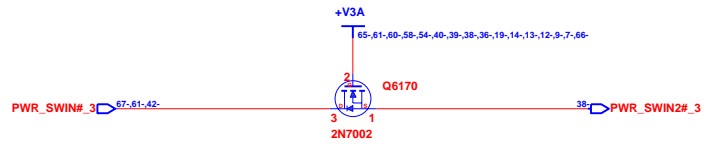
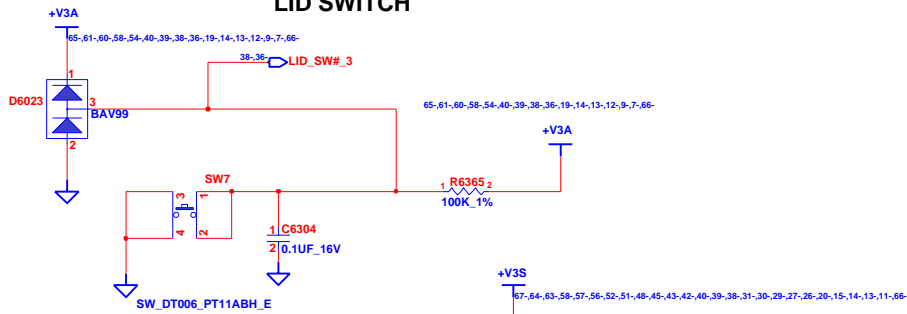
SHEET 64 OF 67



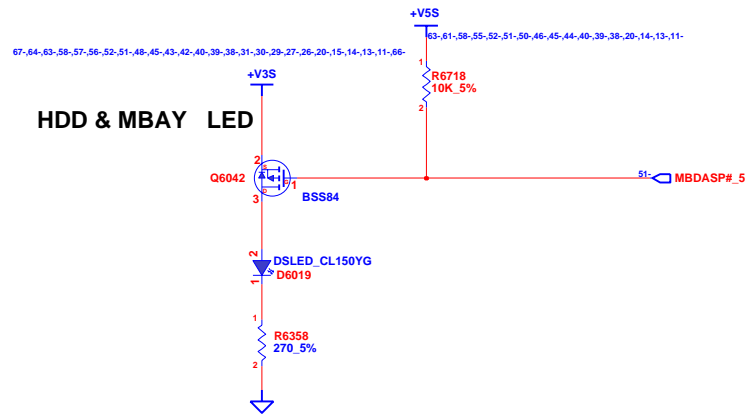


<b>INVENTEC</b>			
TITLE <b>VAIL1.0</b> <b>BLUETOOTH</b>			
SIZE <b>A3</b>	CODE <b>CS</b>	DOC. NUMBER <i>Model No</i>	REV <b>AX2</b>
CHANGE by <b>MORRIS HANG</b>		31-Aug-2004	SHEET <b>65</b> OF <b>67</b>

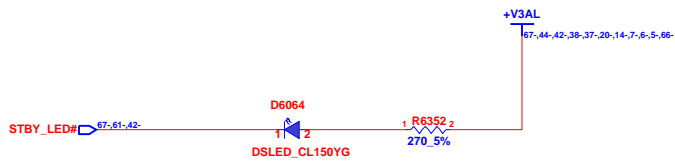
### LID SWITCH



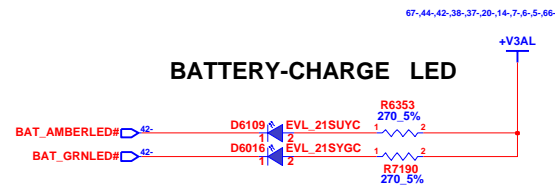
### HDD & MBAY LED



### POWER / STANDBY LED

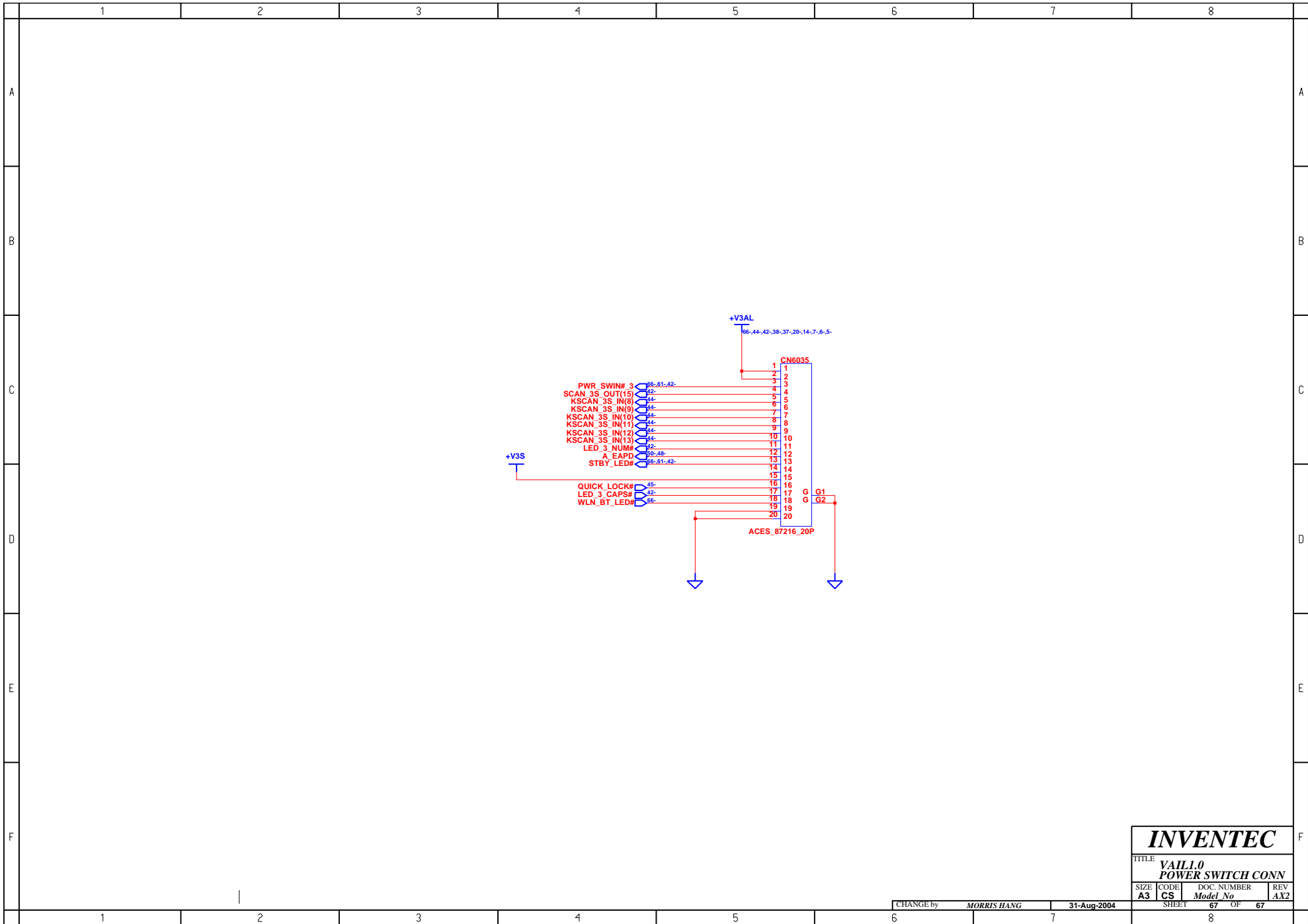


### BATTERY-CHARGE LED



**INVENTEC**

TITLE			
VAILI.0			
LID SWITCH & LED			
SIZE	CODE	DOC. NUMBER	REV
A3	CS	Model No	AX2



**INVENTEC**

TITLE **VAIL1.0  
POWER SWITCH CONN**

SIZE <b>A3</b>	CODE <b>CS</b>	DOC. NUMBER <i>Model No</i>	REV <b>AX2</b>
-------------------	-------------------	--------------------------------	-------------------

CHANGE by **MORRIS HANG** 31-Aug-2004

SHEET **67** OF **67**