

DIABLO 2.0

MP Build

2008.08.11

DATE	CHANGE NO.	REV

DRAWER	EE	DATE	POWER	DATE	INVENTEC			
DESIGN								
CHECK								
RESPONSIBLE								
TITLE					DIABLO 2.0 MV			
SIZE = 3					Release version : MP 02			
FILE NAME :	XXXX-XXXXXX-XX			VER :	SIZE CODE	DOC. NUMBER	REV	
P/N	XXXXXXXXXXXX				A3 CS	1310A22155-0-MTR	A02	
					SHEET	1	OF	61

<http://hobi-elektronika.net>

TABLE OF CONTENTS

PAGE

- 5- DC & BATTERY CHARGER
- 6- BATTERY CONN
- 7- SYSTEM POWER(3V/5V)
- 8- SYSTEM POWER(+V1.8/+VCCP)
- 9- GRAPHIC POWER(+VGFX_CORE)
- 10- SYSTEM POWER(+V1.5S)
- 11- CPU POWER(VCC_CORE)
- 12- DDR TERMINATION VOLTAGE
- 13- POWER(SLEEP)
- 14- POWER(SEQUENCE)

PAGE

- 15- CLOCK_IC9LPRS397
- 16- PENRYN-1
- 17- PENRYN-2
- 18- PENRYN-3
- 19- THERMAL & FAN Conn
- 20- N/B Cantiga-1
- 21- N/B Cantiga-2
- 22- N/B Cantiga-3
- 23- N/B Cantiga-4
- 24- N/B Cantiga-5
- 25- N/B Cantiga-6
- 26- DDR2-DIMM0
- 27- DDR2-DIMM1
- 28- DDR2-DAMPING
- 29- CRT CONN
- 30- LCM CONN
- 31- S/B ICH9-1
- 32- S/B ICH9-2
- 33- S/B ICH9-3
- 34- S/B ICH9-4
- 35- S/B ICH9-5

PAGE

- 36-
- 37- HDD&ODD CONN & Accelerometer
- 38- USB & eSATA CONN
- 39- KBC & IR & SPI BIOS & T/P Conn
- 40- KB&TP Disable CONN
- 41- AUDIO CODEC
- 42- AUDIO AMP-HP MIC VOL
- 43- MDC CONN & Audio Jack
- 44- LAN CONTROLLER- RTL8111C
- 45- LAN POWER
- 46- RJ45 CONN
- 47- MINICARD CONN
- 48- HDMI CONN & NEW CARD CONN
- 49- LED & BUTTON
- 50- SCREW
- 51- TOUCHPAD BOARD
- 52- WEB CAM & FINGER PRINT Conn
- 53- AU6372 Cardreader & 5 IN 1 Conn
- 54- nVIDIA NB9MGS-1
- 55- nVIDIA NB9MGS-2
- 56- nVIDIA NB9MGS-3
- 57- nVIDIA NB9MGS-4
- 58- nVIDIA NB9MGS-5
- 59- VRAM-1
- 60- VRAM-2
- 61- Release Note

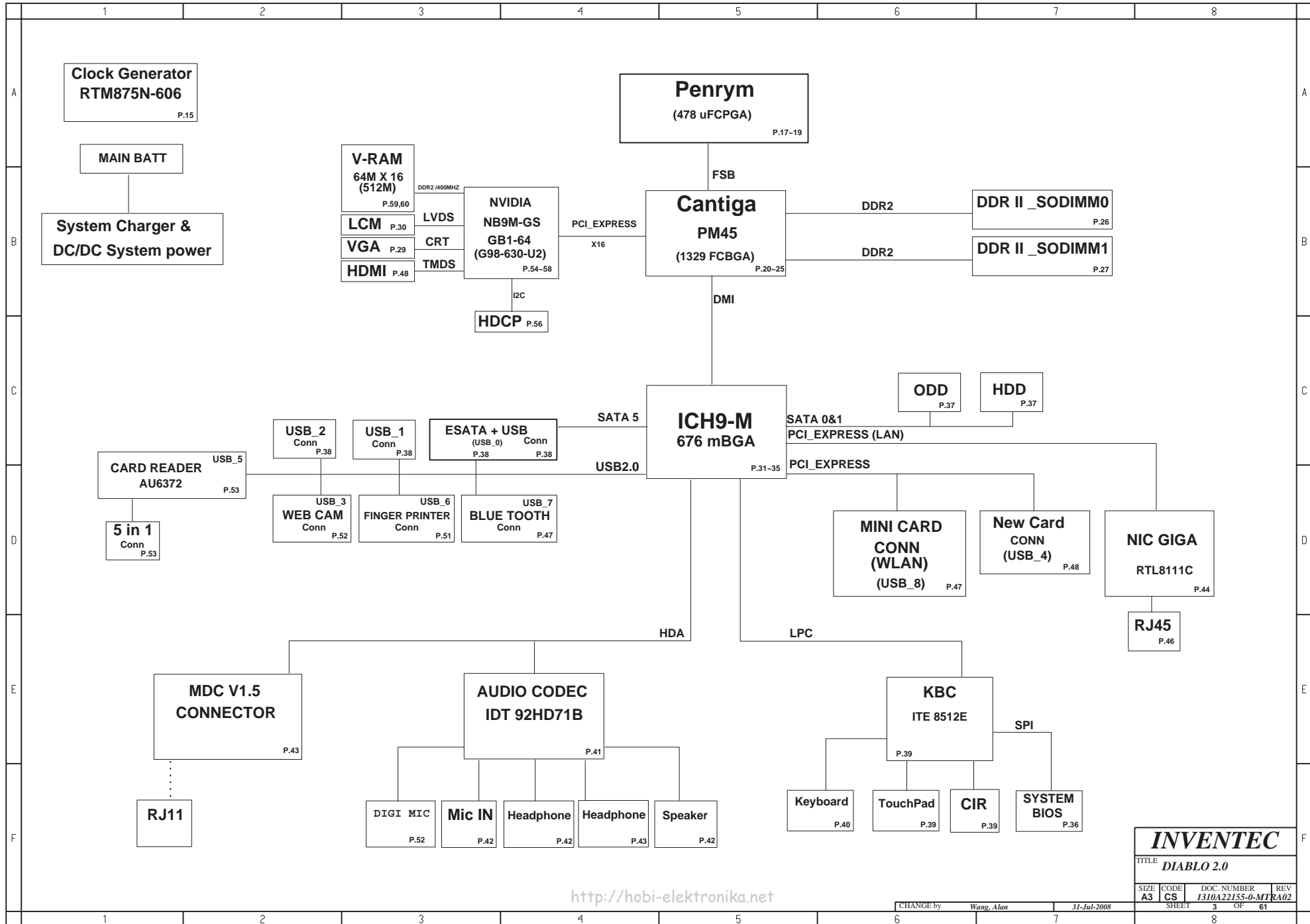
INVENTEC

TITLE
DIABLO 2.0

SIZE A3	CODE CS	DOC. NUMBER <i>1310A22155-0-MTR</i>	REV A02
SHEET		2	OF 61

<http://hobi-elektronika.net>

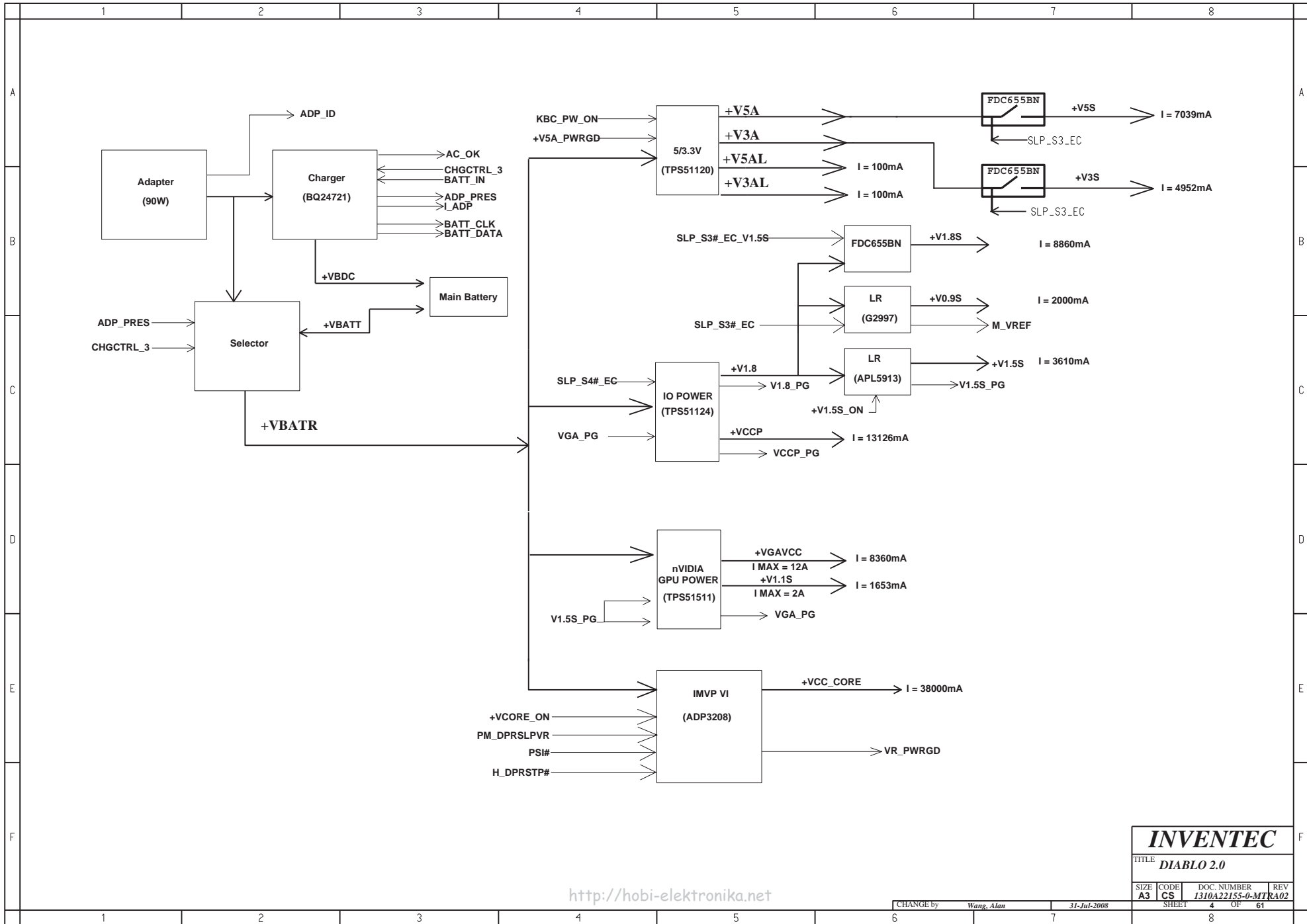
CHANGE by *Wang, Alan* 31-Jul-2008



<http://hobi-elektronika.net>

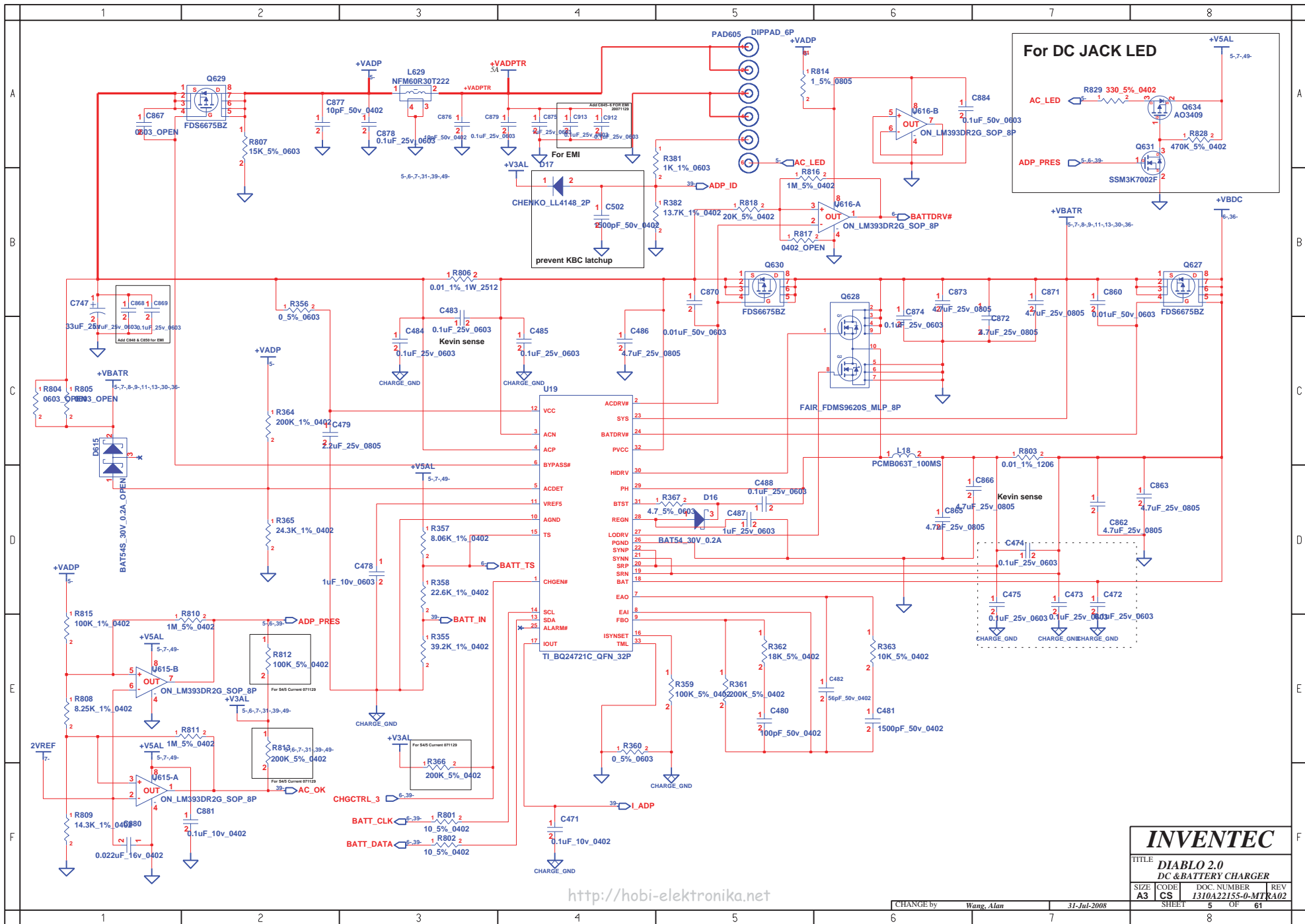
CHANGE by Wang, Alan 31-Jul-2008

INVENTEC			
TITLE DIABLO 2.0			
SIZE A3	CODE CS	DOC. NUMBER 1310A22155-0-MTR	REV A02
SHEET 3		OF 61	
8		8	



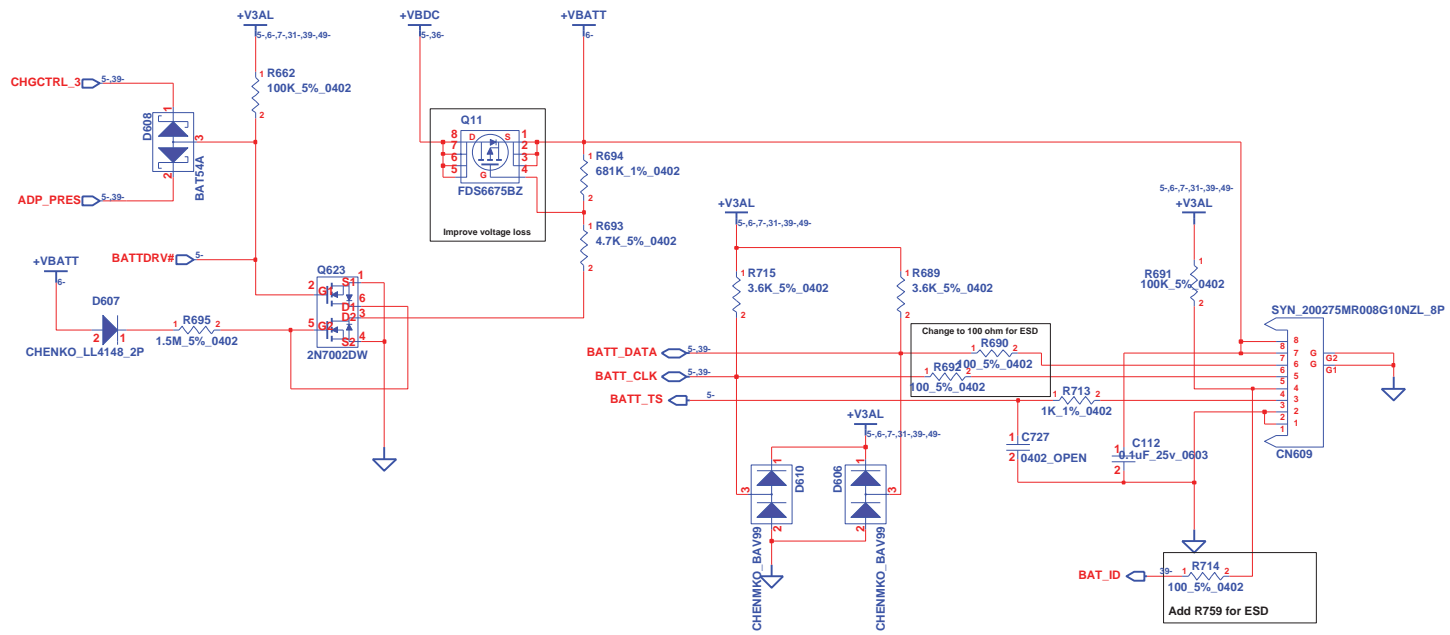
<http://hobi-elektronika.net>

INVENTEC			
TITLE DIABLO 2.0			
SIZE A3	CODE CS	DOC. NUMBER 1310A22155-0-MTR	REV A02
CHANGE by <i>Wang, Alan</i>		31-Jul-2008	
SHEET 4		OF 61	



<http://hobi-elektronika.net>

INVENTEC			
TITLE DIABLO 2.0			
DC & BATTERY CHARGER			
SIZE A3	CODE CS	DOC. NUMBER 1310A22155-0-MTR	REV A02
CHANGE by <i>Wang, Alan</i>		31-Jul-2008	
SHEET 5		OF 61	



<http://hobi-elektronika.net>

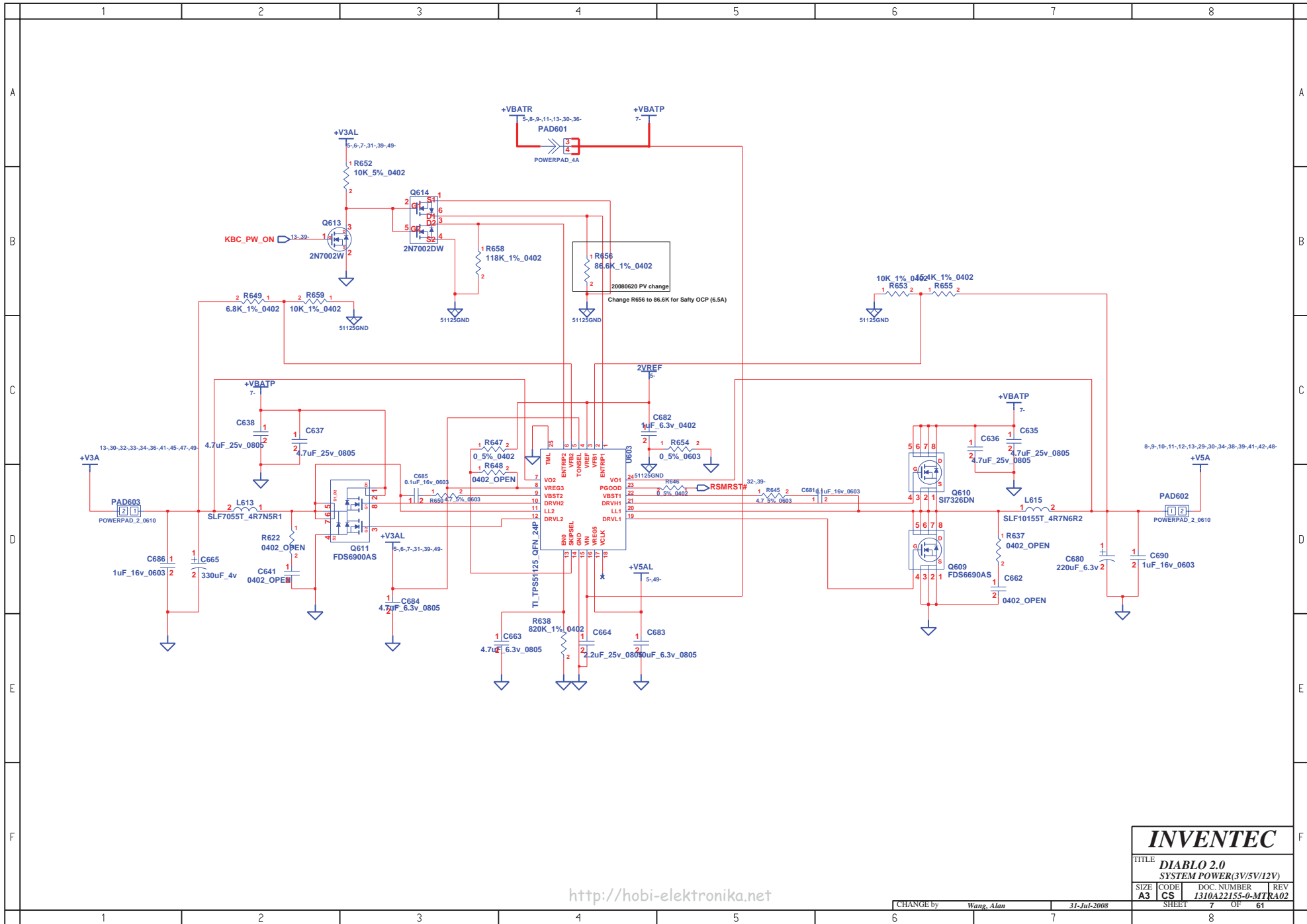
INVENTEC

TITLE
DIABLO 2.0
 BATTERY CONN

SIZE A3	CODE CS	DOC. NUMBER 1310A22155-0-MTR	REV A02
-------------------	-------------------	--	-------------------

CHANGE by Wang, Alan 31-Jul-2008

SHEET 6 OF 61

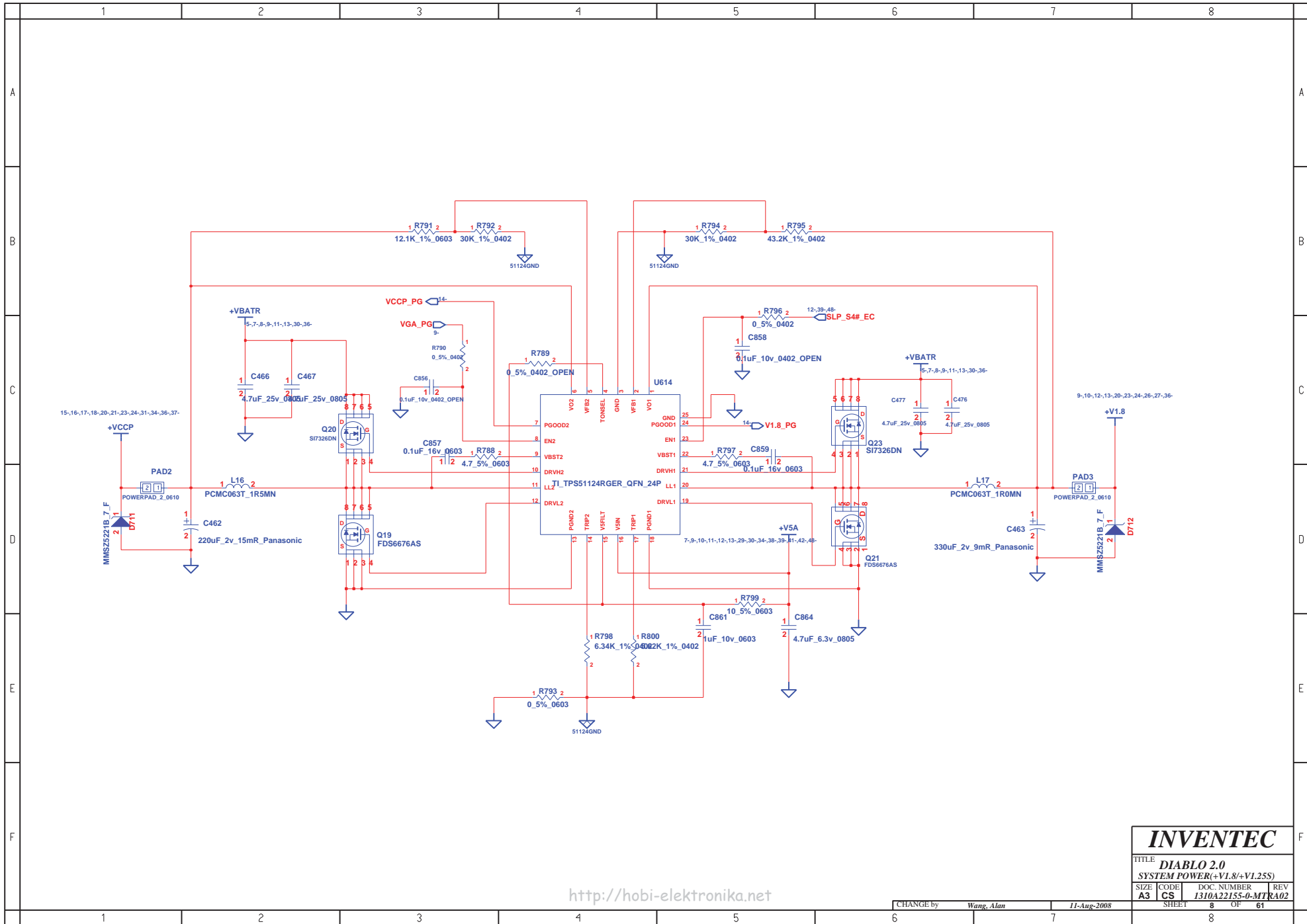


<http://hobi-elektronika.net>

INVENTEC

TITLE			
DIABLO 2.0			
SYSTEM POWER(3V/5V/12V)			
SIZE	CODE	DOC NUMBER	REV
A3	CS	I310A22155-0-MTR	A02
SHEET		OF	
7		61	

CHANGE by Wang, Alan 31-Jul-2008

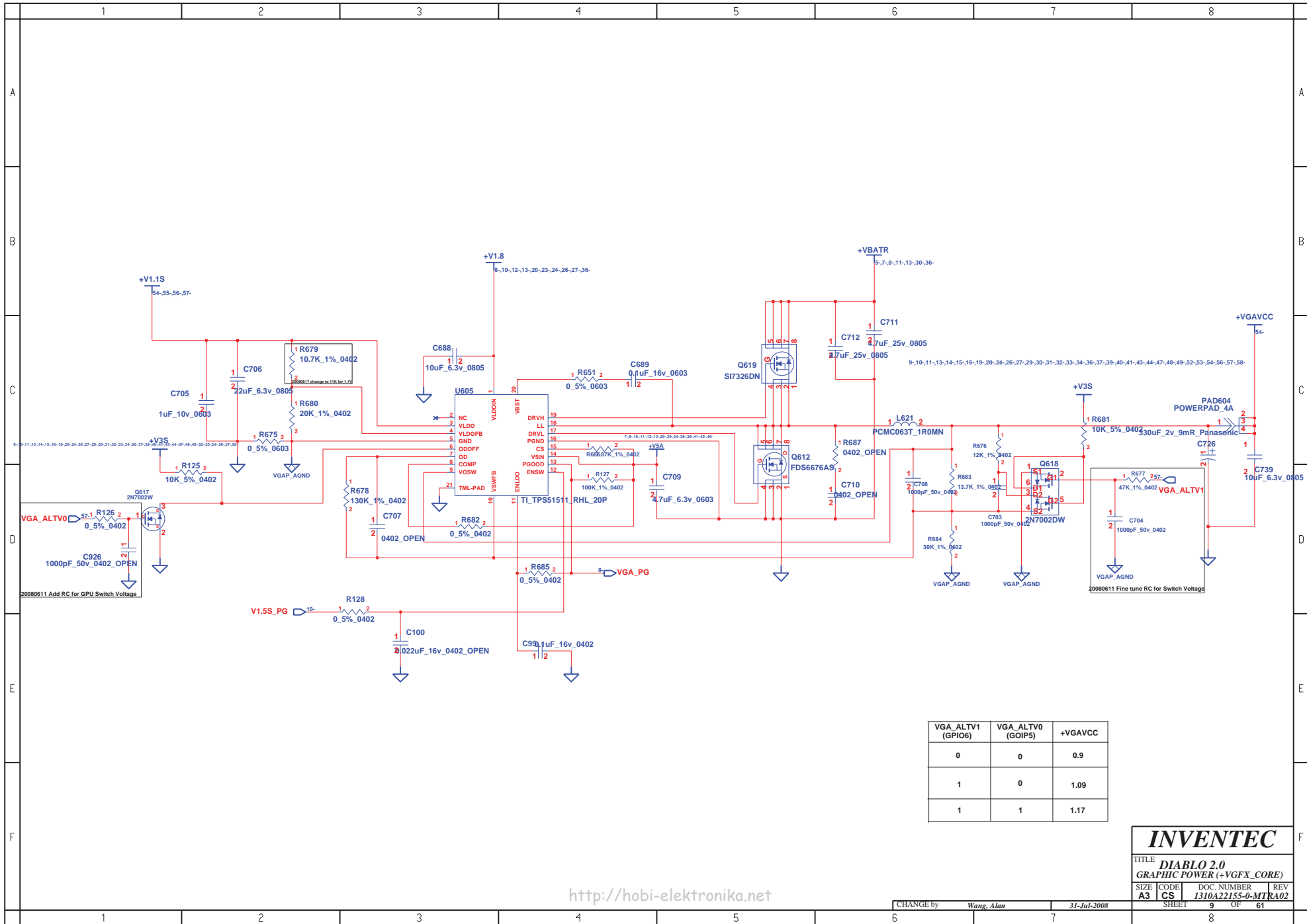


<http://hobi-elektronika.net>

INVENTEC

TITLE			
DIABLO 2.0			
SYSTEM POWER(+V1.8/+V1.25S)			
SIZE	CODE	DOC. NUMBER	REV
A3	CS	1310A22155-0-MT	A02
SHEET			OF
8			61

CHANGE by Wang, Alan 11-Aug-2008



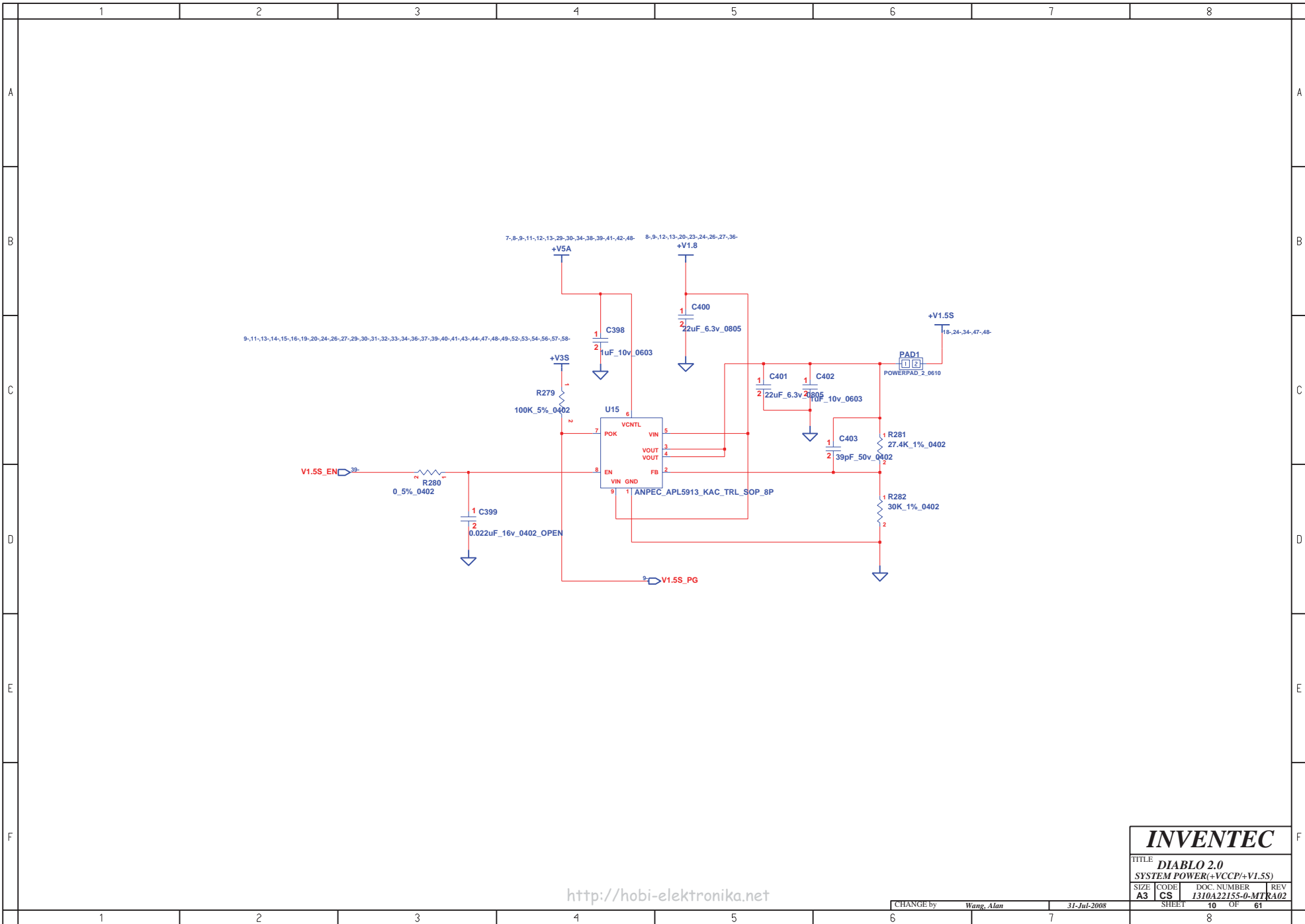
<http://hobi-elektronika.net>

CHANGE by Wang, Alan 31-Jul-2008

INVENTEC

TITLE: **DIABLO 2.0 GRAPHIC POWER (+VGF_X_CORE)**

SIZE: A3	CODE: CS	DOC. NUMBER: 1310A22155-0-MTR	REV: A02
SHEET: 9		OF: 61	



<http://hobi-elektronika.net>

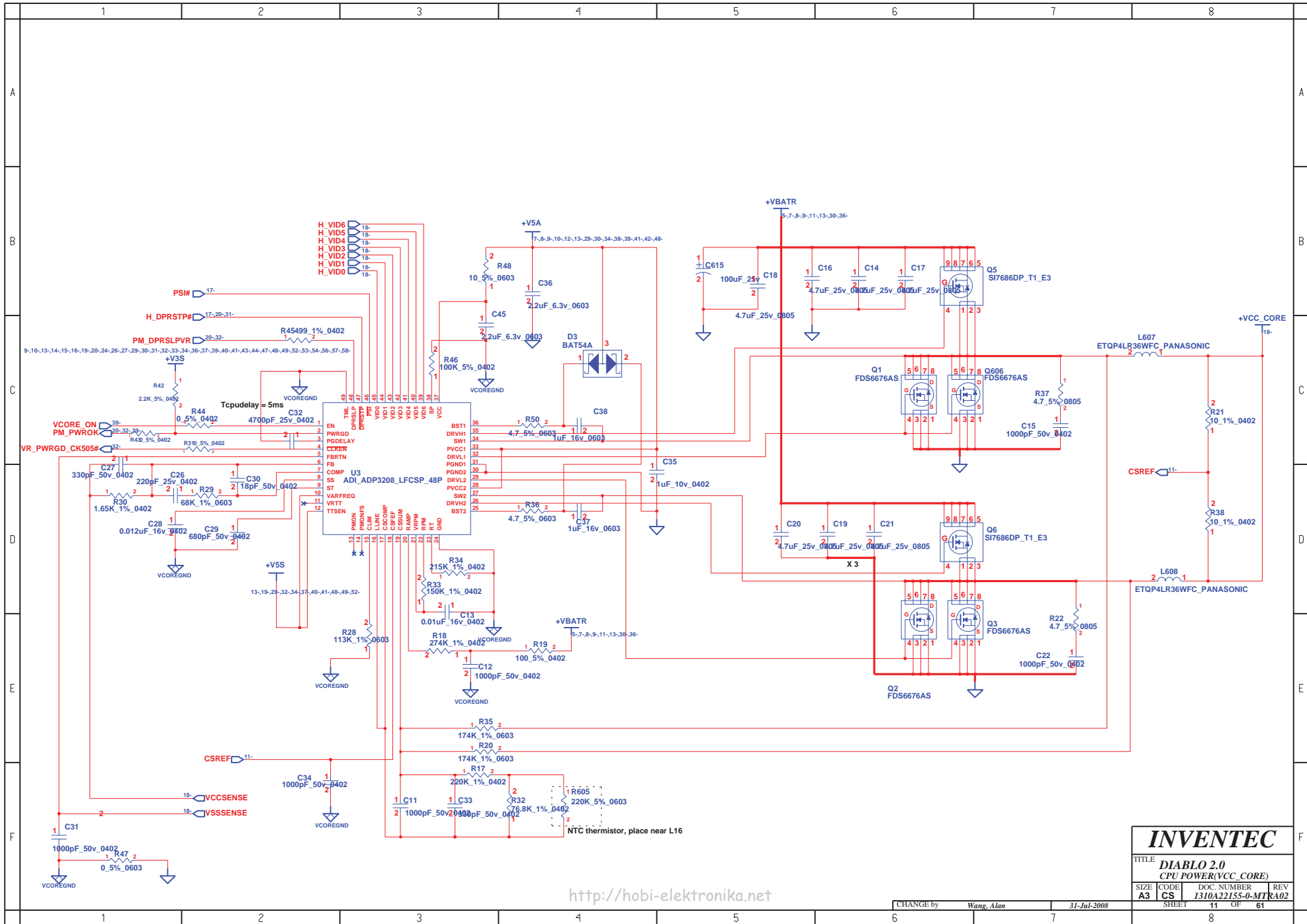
INVENTEC

TITLE
DIABLO 2.0
 SYSTEM POWER(+VCCP/+V1.5S)

SIZE A3	CODE CS	DOC NUMBER 1310A22155-0-MTR	REV A02
-------------------	-------------------	---------------------------------------	-------------------

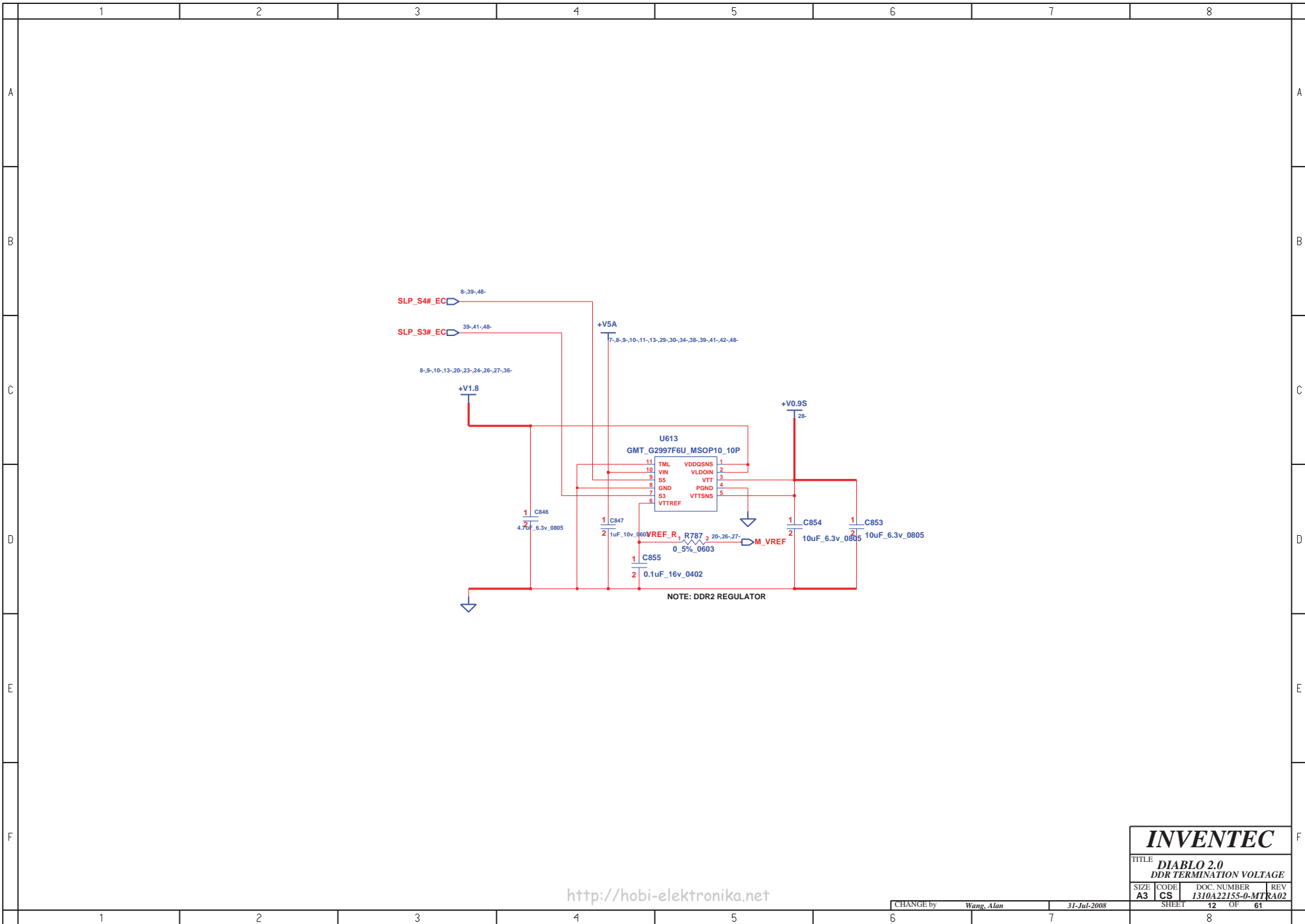
CHANGE by Wang, Alan 31-Jul-2008

SHEET 10 OF 61



<http://hobi-elektronika.net>

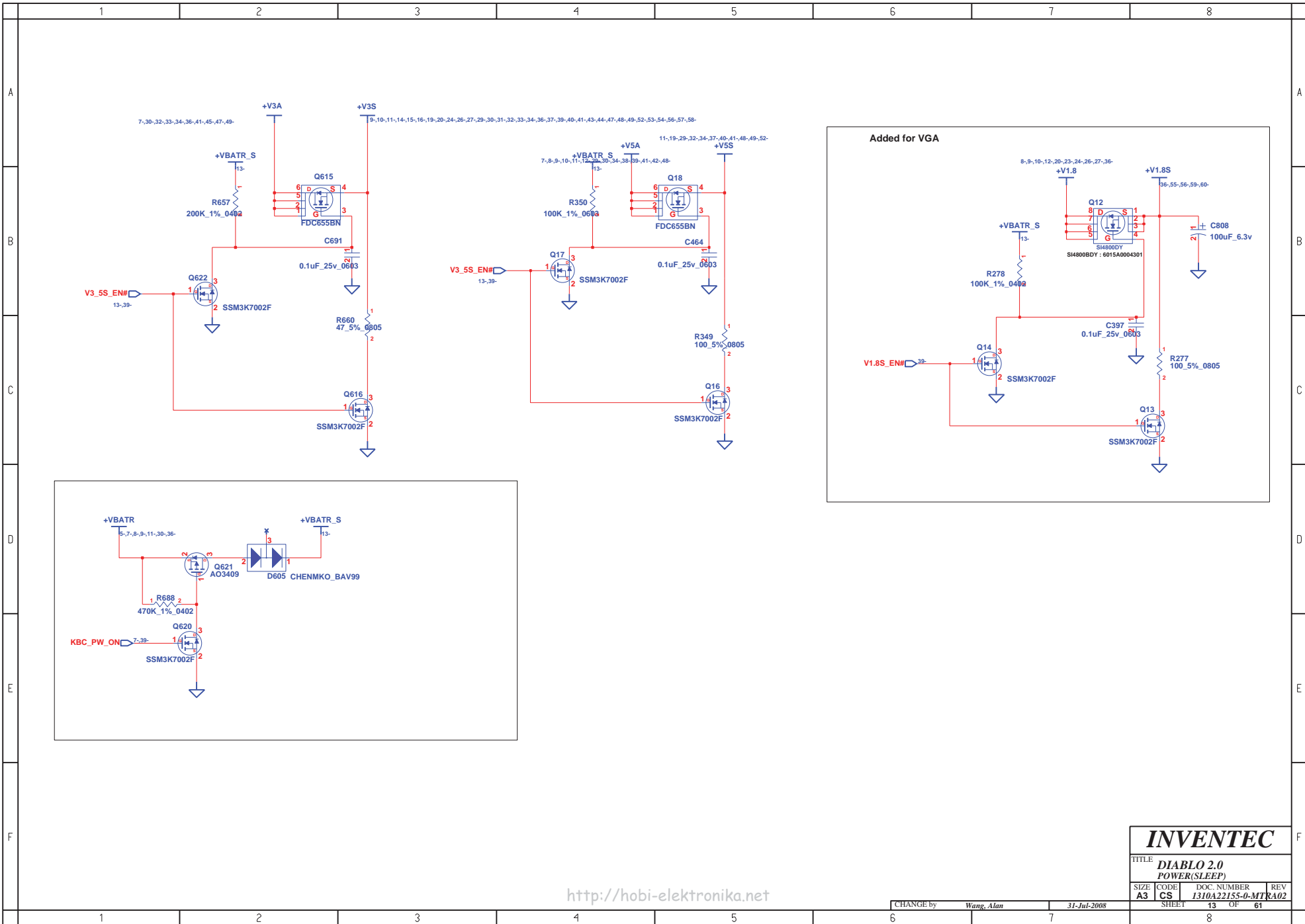
INVENTEC			
TITLE DIABLO 2.0 CPU POWER(VCC_CORE)			
SIZE A3	CODE CS	DOC. NUMBER I310A22155-0-MTR	REV A02
CHANGE by Wang, Alan		31-Jul-2008	
SHEET 11		OF 61	



<http://hobi-elektronika.net>

INVENTEC			
TITLE DIABLO 2.0			
DDR TERMINATION VOLTAGE			
SIZE	CODE	DOC. NUMBER	REV
A3	CS	1310A22155-0-MT	RA02
SHEET		12	OF 61

CHANGE by Wang, Alan 31-Jul-2008

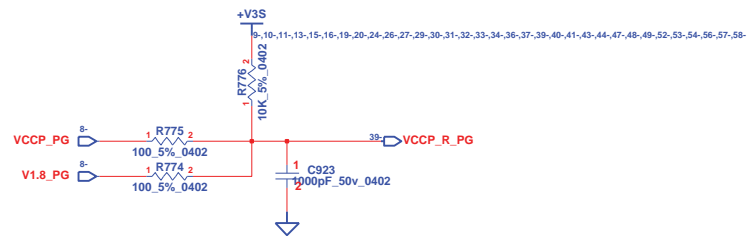


<http://hobi-elektronika.net>

INVENTEC

TITLE			
DIABLO 2.0 POWER(SLEEP)			
SIZE	CODE	DOC NUMBER	REV
A3	CS	1310A22155-0-MTR	A02
CHANGE by		SHEET	
Wang, Alan		13 OF 61	

31-Jul-2008

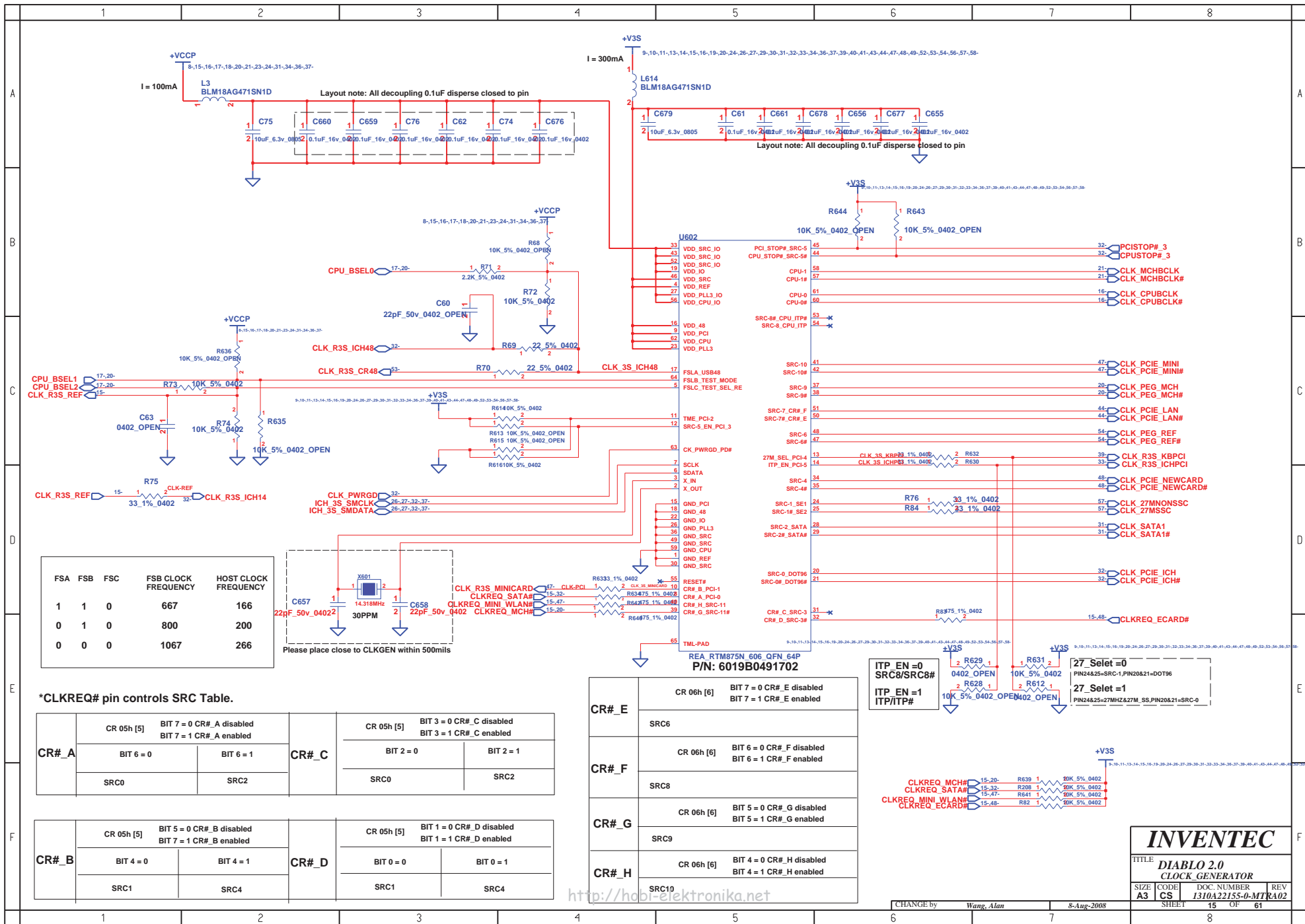


<http://hobi-elektronika.net>

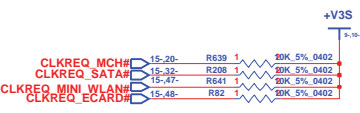
INVENTEC			
TITLE DIABLO 2.0 POWER(SEQUENCE)			
SIZE A3	CODE CS	DOC. NUMBER 1310A22155-0-MTR	REV A02
CHANGE by <i>Wang, Alan</i>		31-Jul-2008	
SHEET 14		OF 61	

CHANGE by *Wang, Alan* 31-Jul-2008

SHEET 14 OF 61



http://hobbyelektronika.net

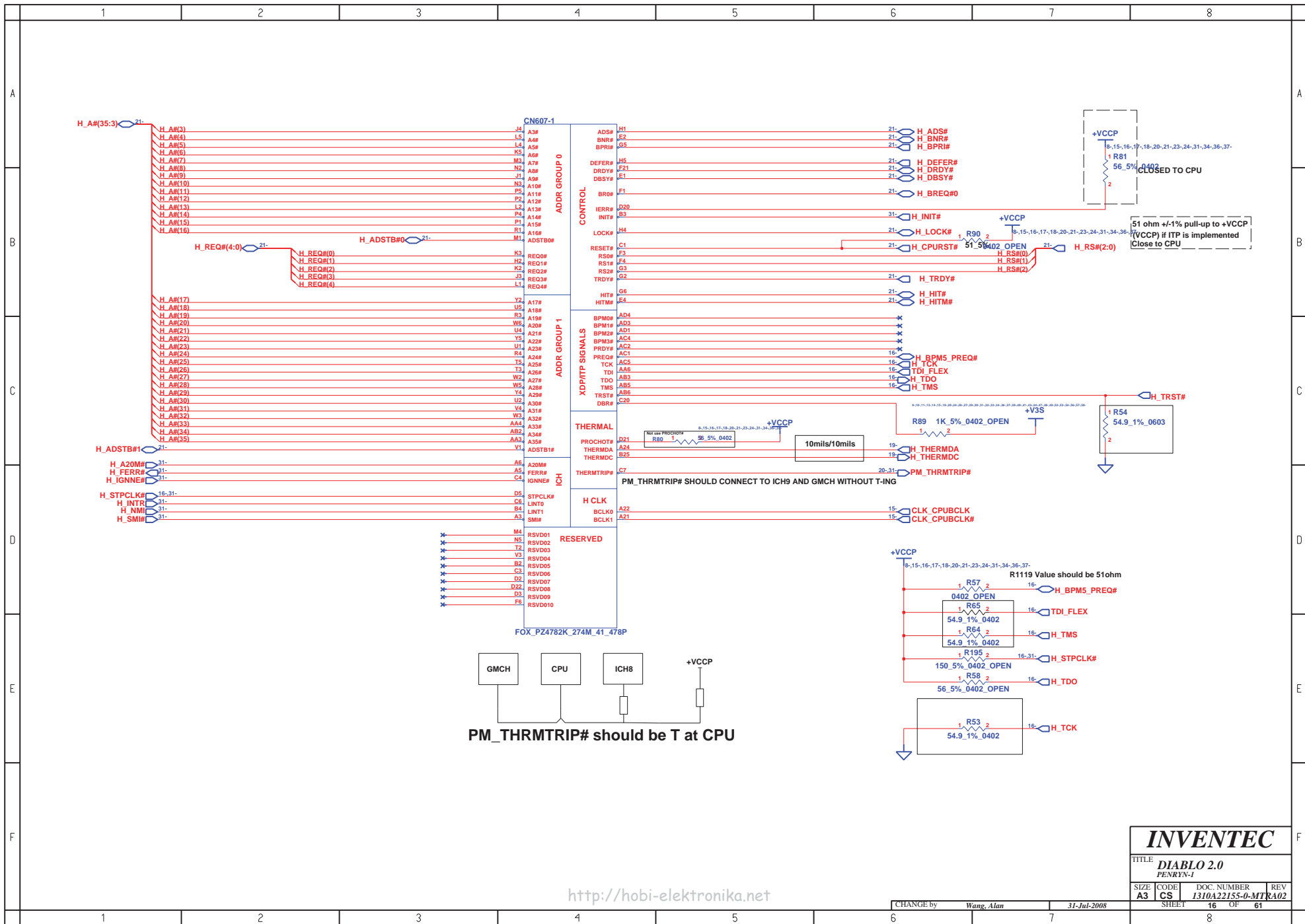


INVENTEC

TITLE: **DIABLO 2.0**
CLOCK GENERATOR

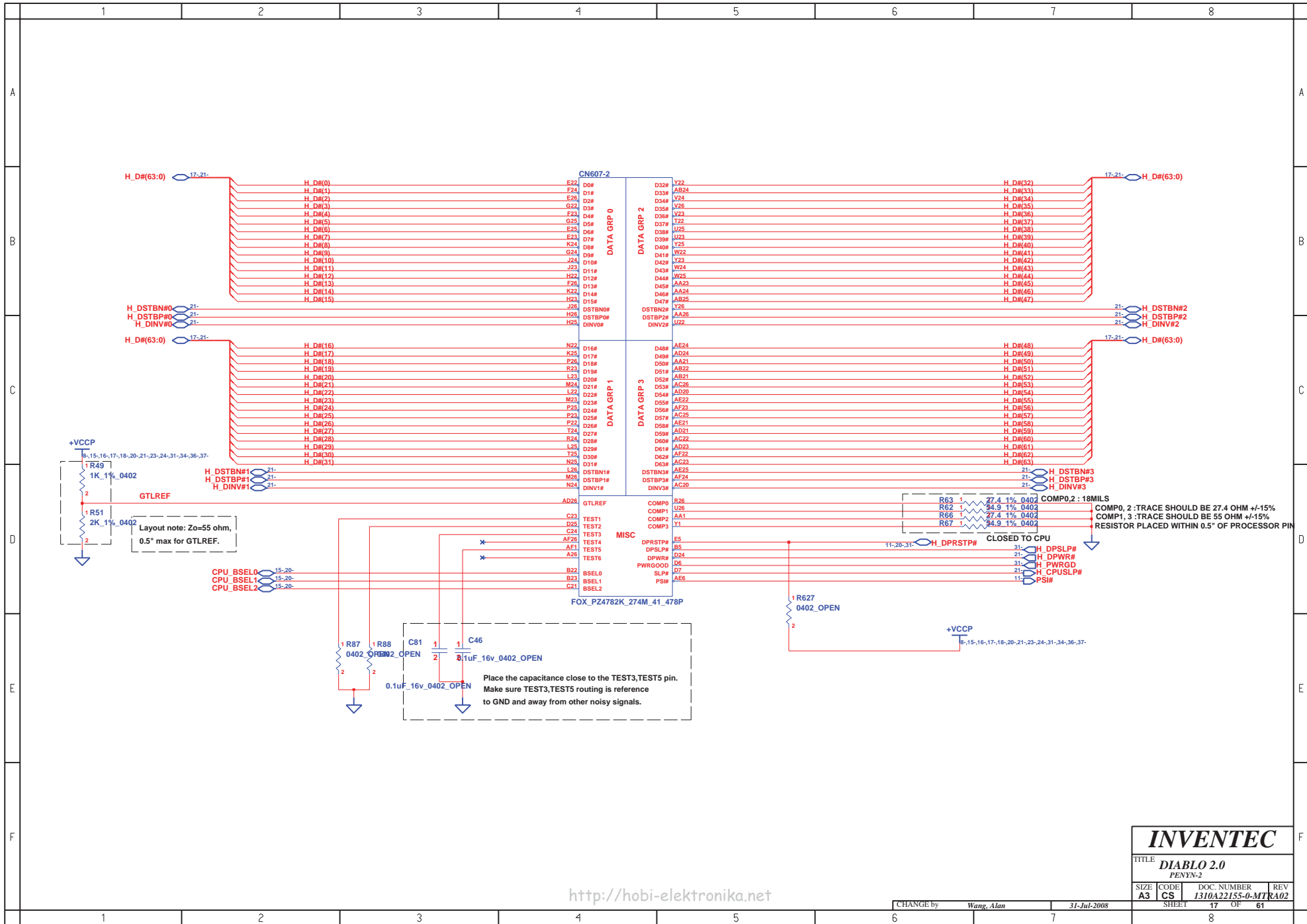
SIZE	CODE	DOC. NUMBER	REV
A3	CS	1310A22155-0-MTR	A02

CHANGE by: Wang, Alan 8-Aug-2008 SHEET 15 OF 61



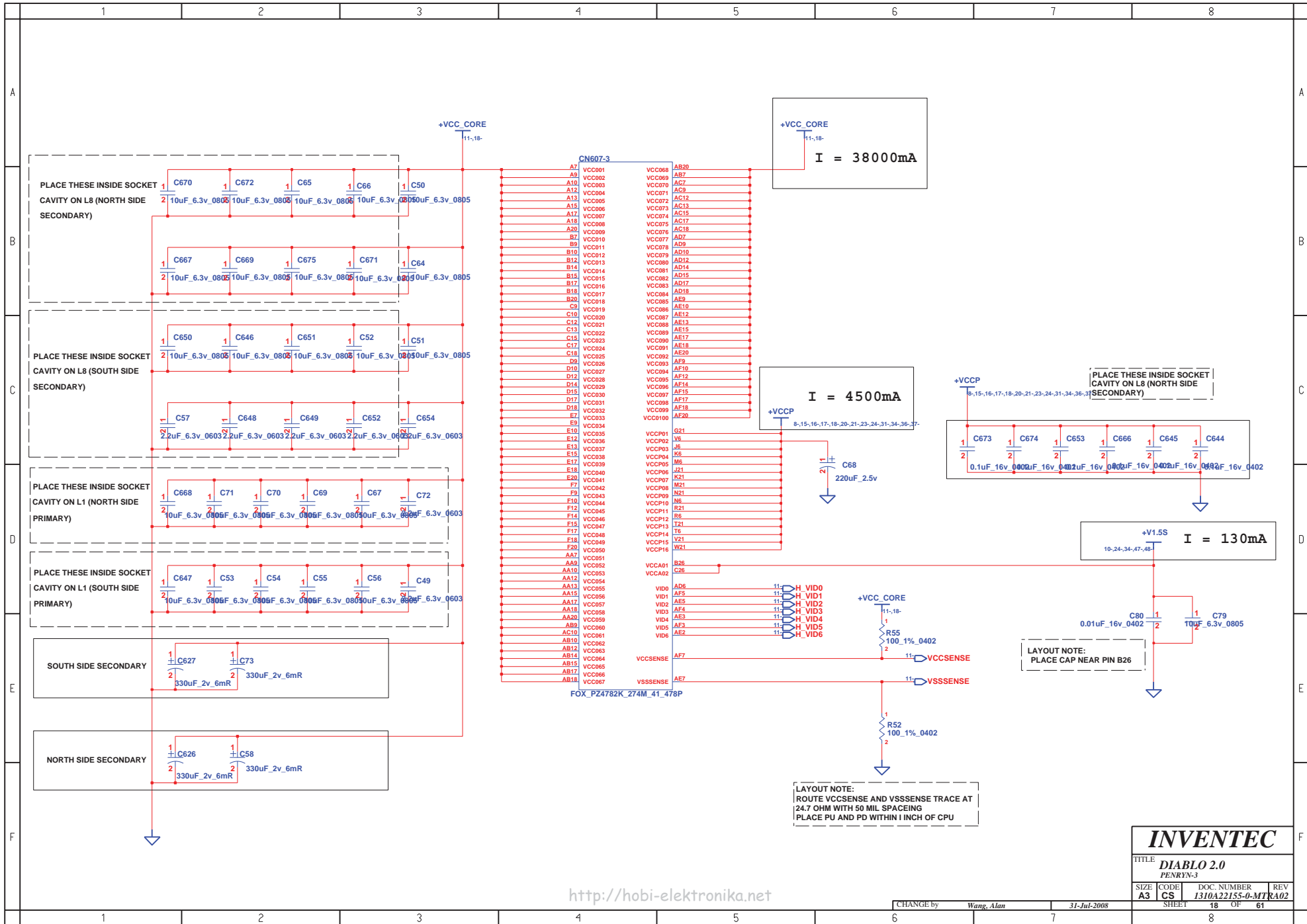
<http://hobi-elektronika.net>

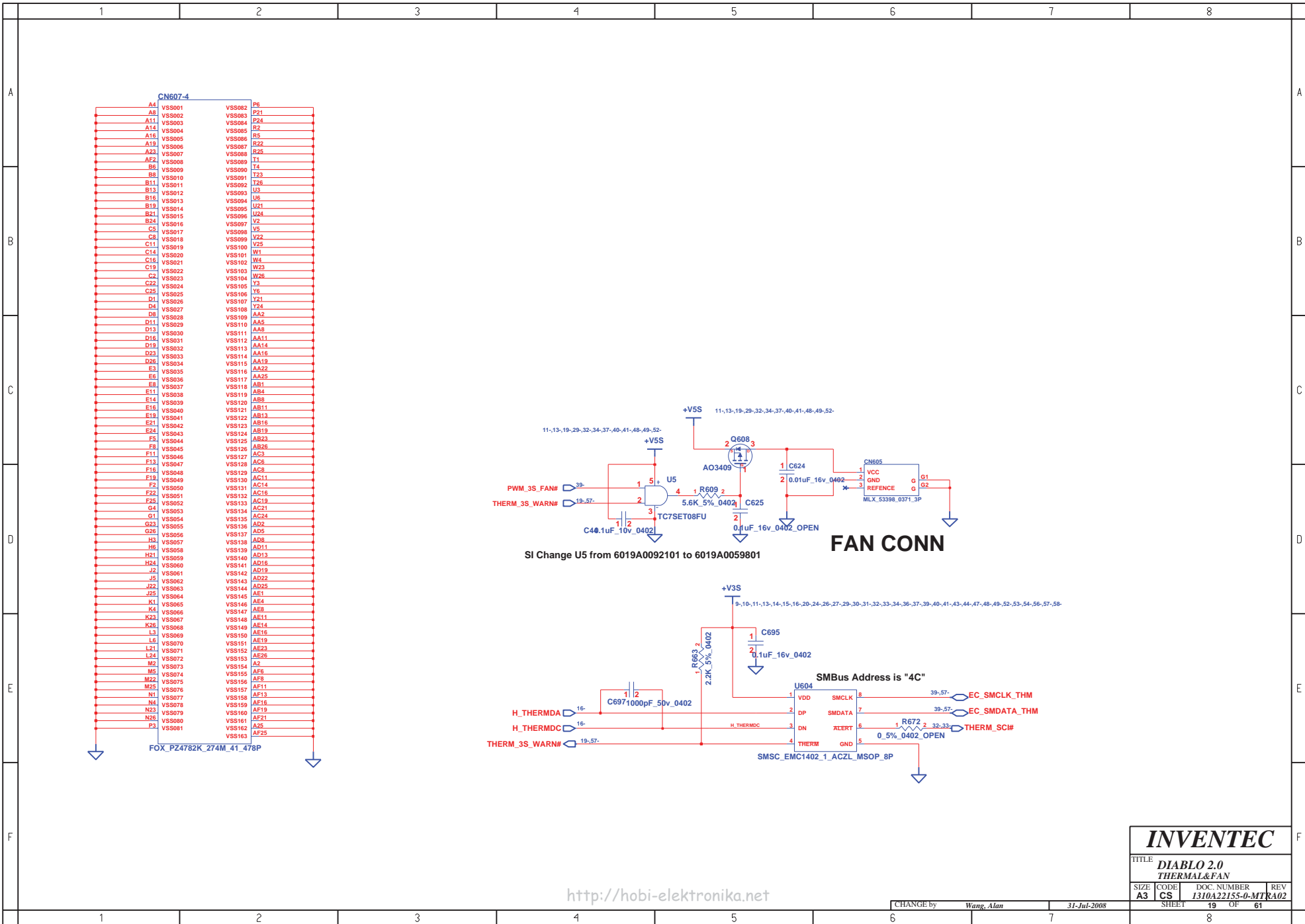
INVENTEC			
TITLE DIABLO 2.0 PENRYN-1			
SIZE A3	CODE CS	DOC. NUMBER 1310A22155-0-MTR	REV A02
CHANGE by <i>Wang, Alan</i>		31-Jul-2008	
SHEET 16		OF 61	



INVENTEC			
TITLE DIABLO 2.0 PENYUN-2			
SIZE A3	CODE CS	DOC. NUMBER 1310A22155-0-MT	REV A02
CHANGE by <i>Wang, Alan</i>		31-Jul-2008	
SHEET 17		OF 61	

<http://hobi-elektronika.net>





<http://hobi-elektronika.net>

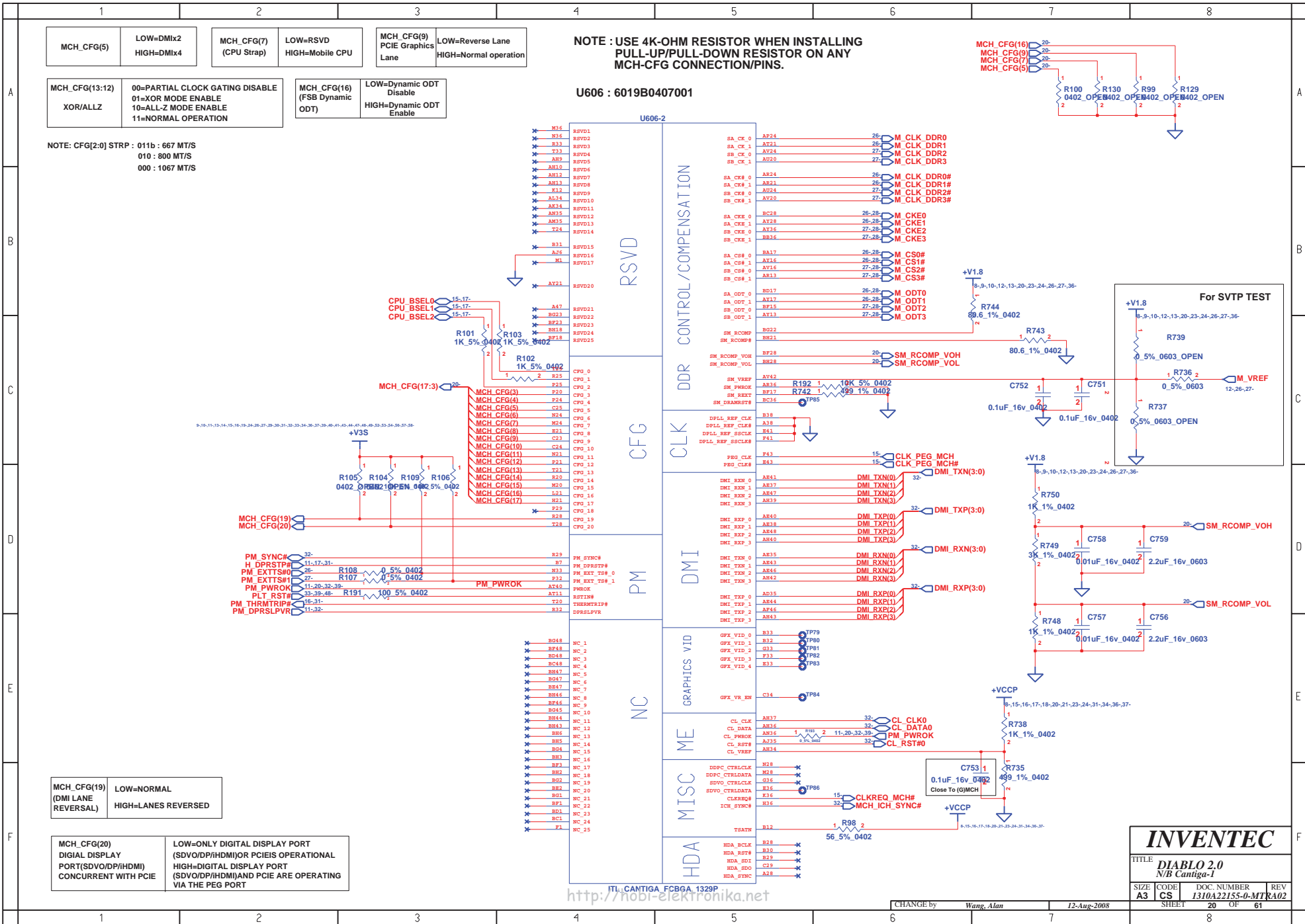
INVENTEC

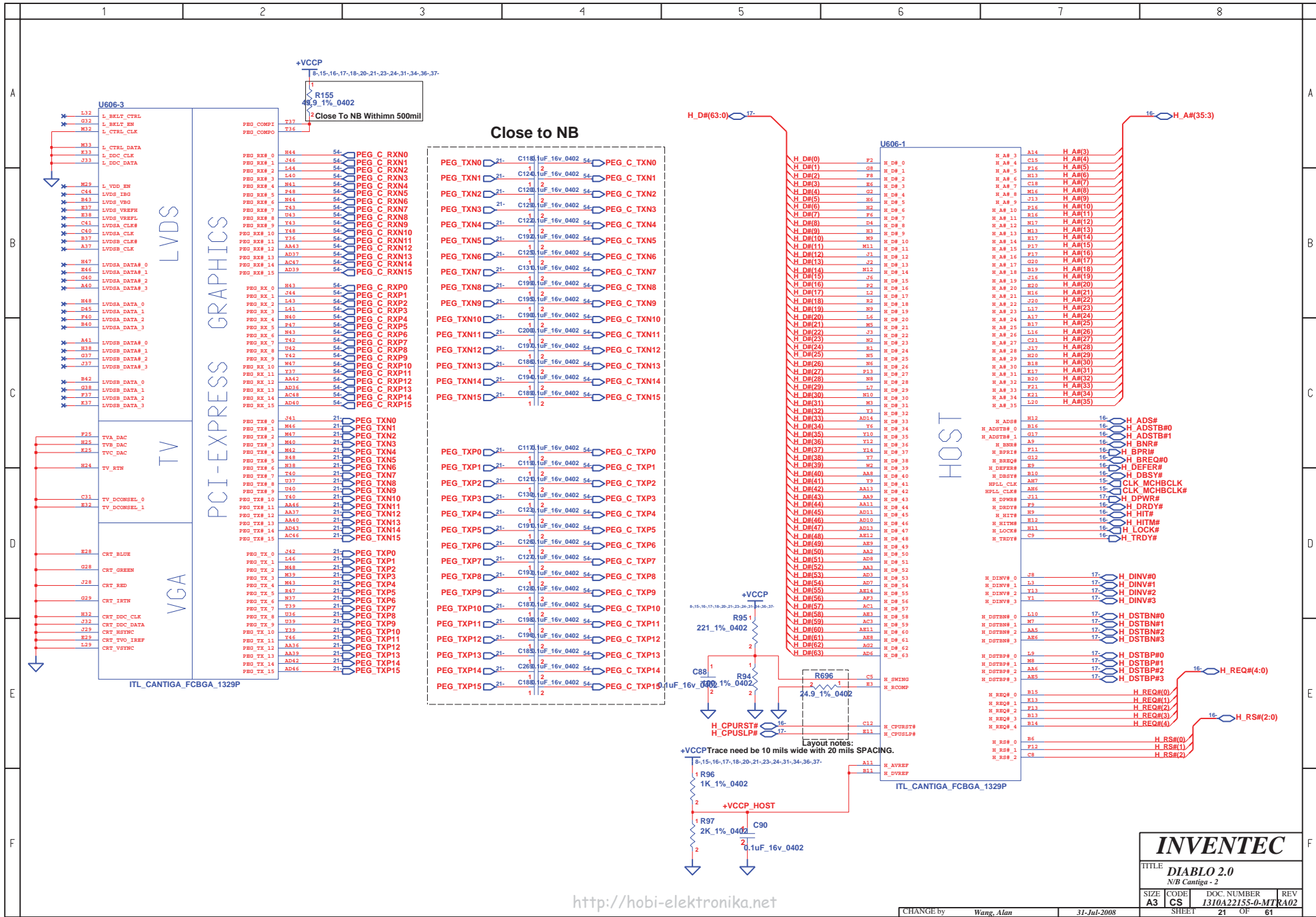
TITLE
DIABLO 2.0
THERMAL & FAN

SIZE A3	CODE CS	DOC. NUMBER I310A22155-0-MTR	REV A02
CHANGE by Wang, Alan		31-Jul-2008	
SHEET 19		OF 61	

CHANGE by Wang, Alan 31-Jul-2008

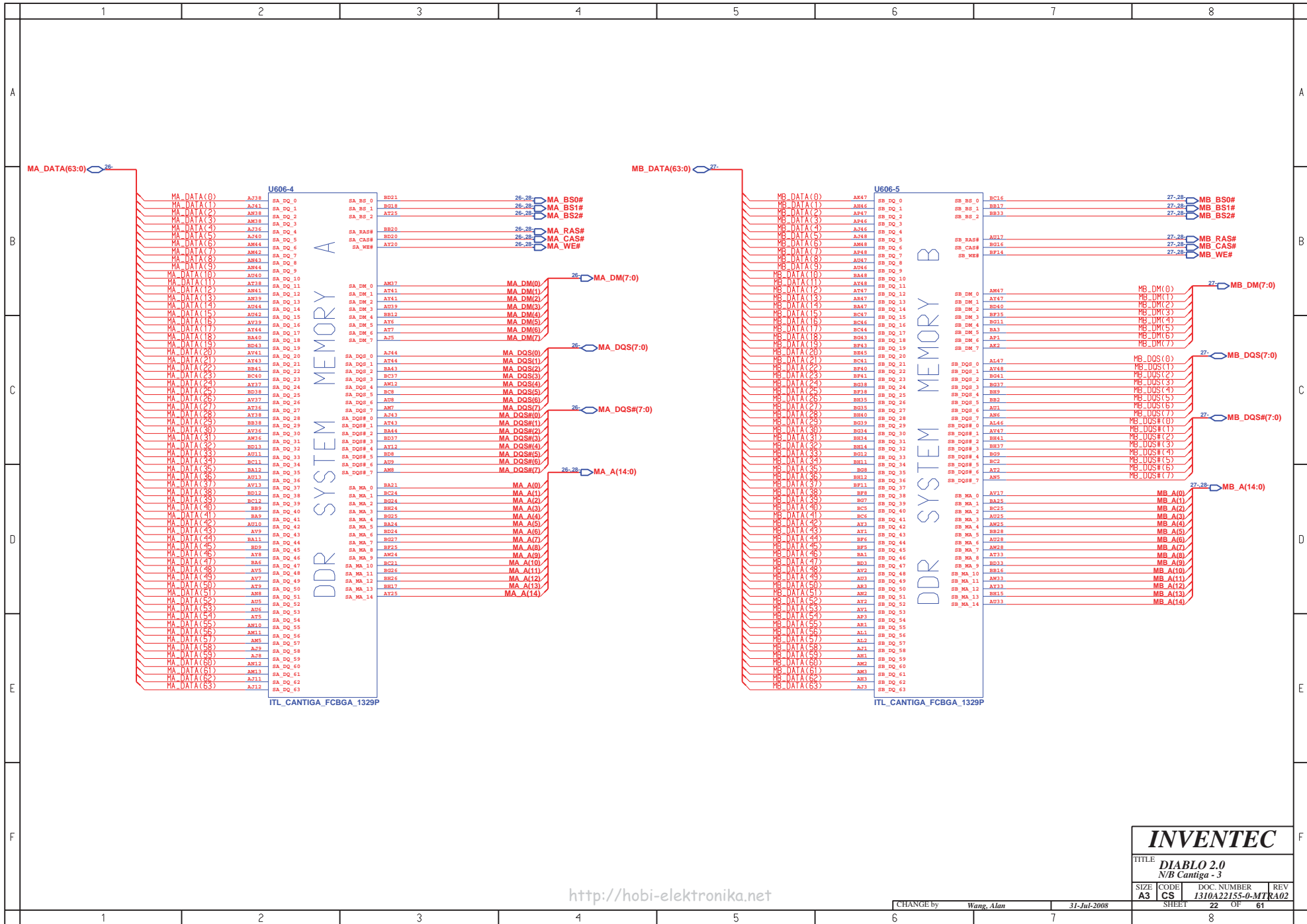
8





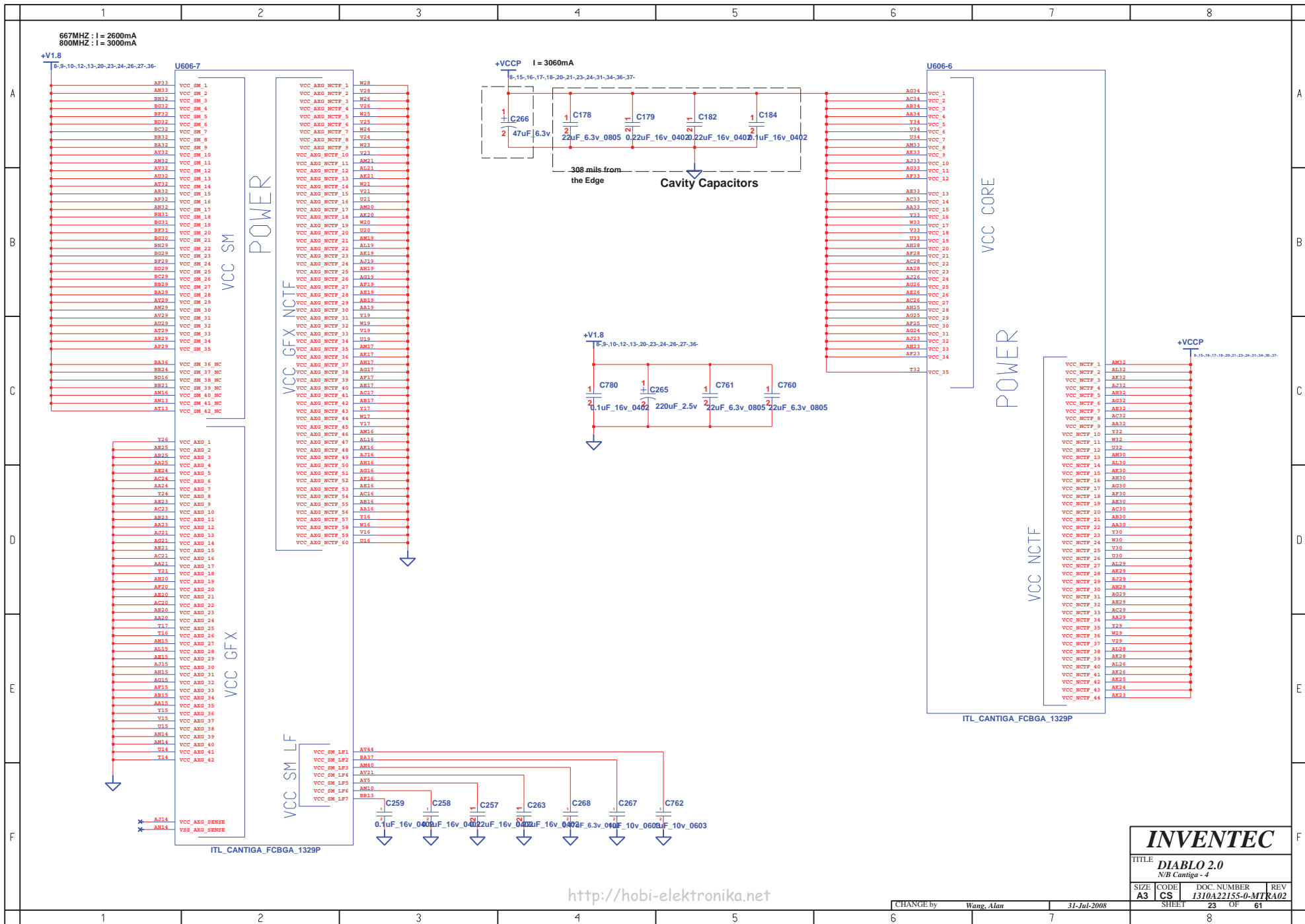
INVENTEC

TITLE			
DIABLO 2.0			
N/B Cantiga - 2			
SIZE	CODE	DOC. NUMBER	REV
A3	CS	1310A22155-0-MT	A02
CHANGE by		31-Jul-2008	REV
Wang, Alan			21
SHEET		21	OF
		61	



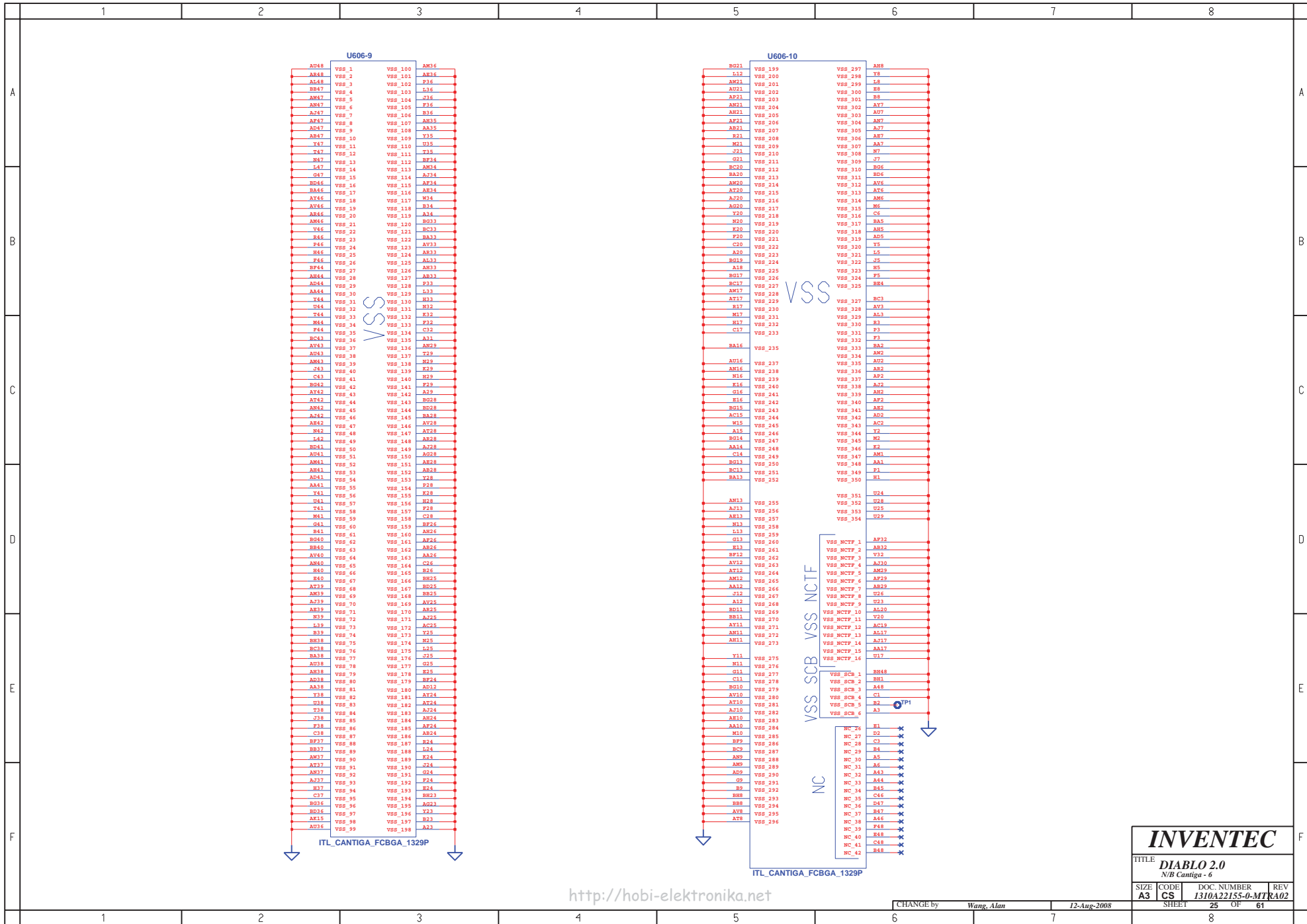
<http://hobi-elektronika.net>

INVENTEC			
TITLE DIABLO 2.0 N/B Cantiga - 3			
SIZE A3	CODE CS	DOC. NUMBER 1310A22155-0-MTR	REV A02
CHANGE by <i>Wang, Alan</i>		31-Jul-2008	
SHEET 22		OF 61	



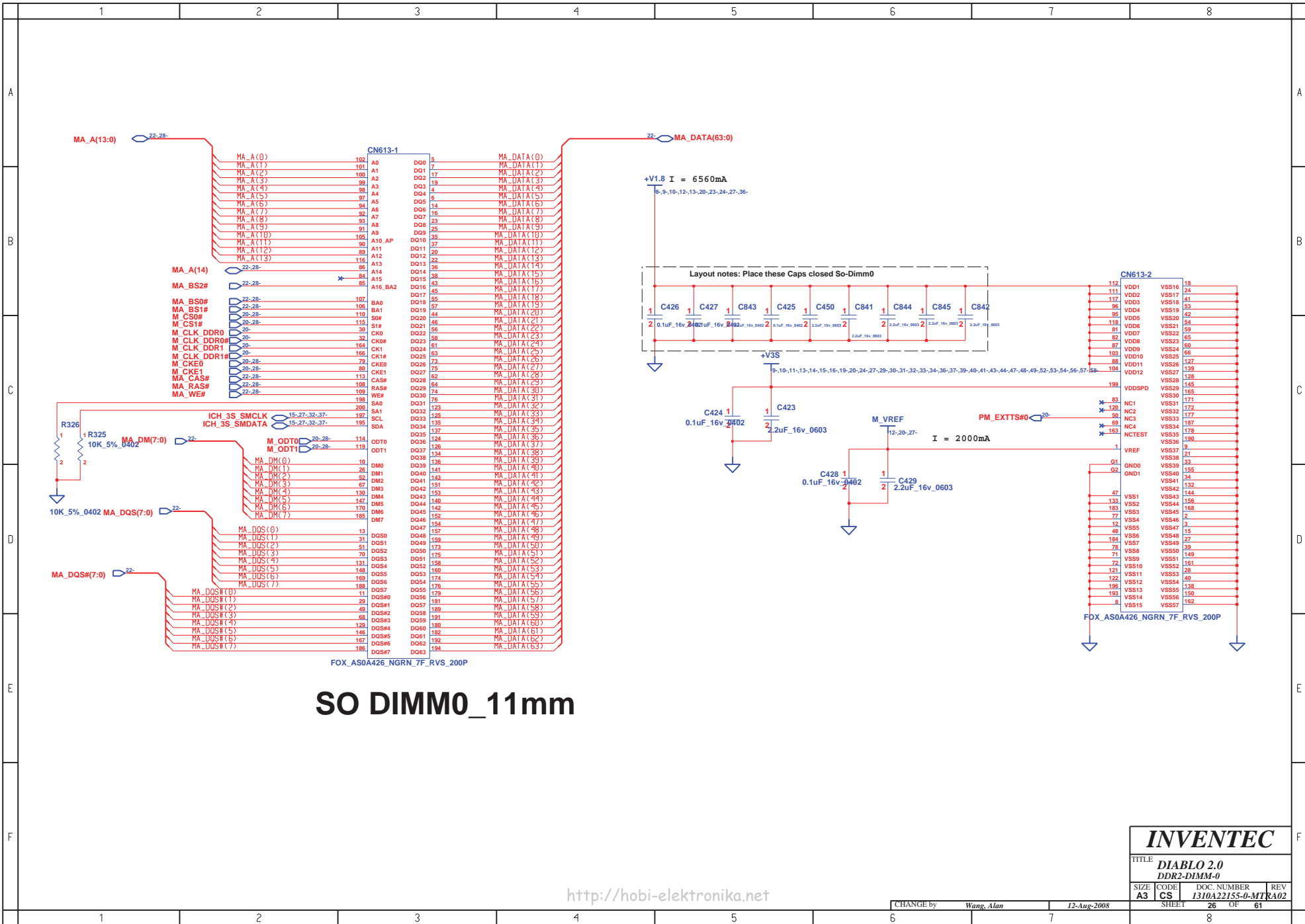
<http://hobi-elektronika.net>

INVENTEC			
TITLE DIABLO 2.0 N/B Cantiga - 4			
SIZE A3	CODE CS	DOC. NUMBER 1310A22155-0-MTR	REV A02
CHANGE by <i>Wang, Alan</i>		31-Jul-2008	
SHEET 23		OF 61	

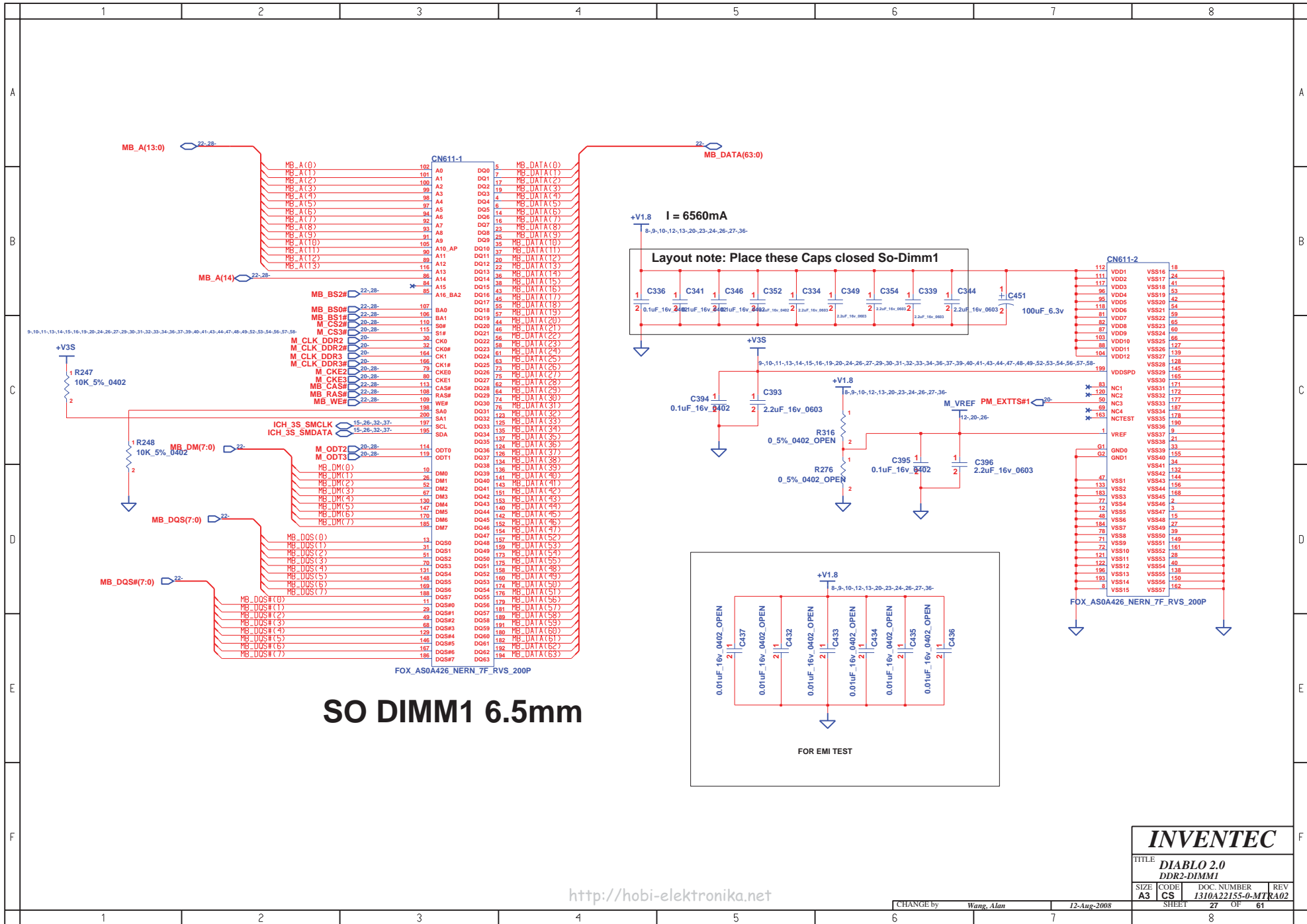


<http://hobi-elektronika.net>

CHANGE by Wang, Alan 12-Aug-2008

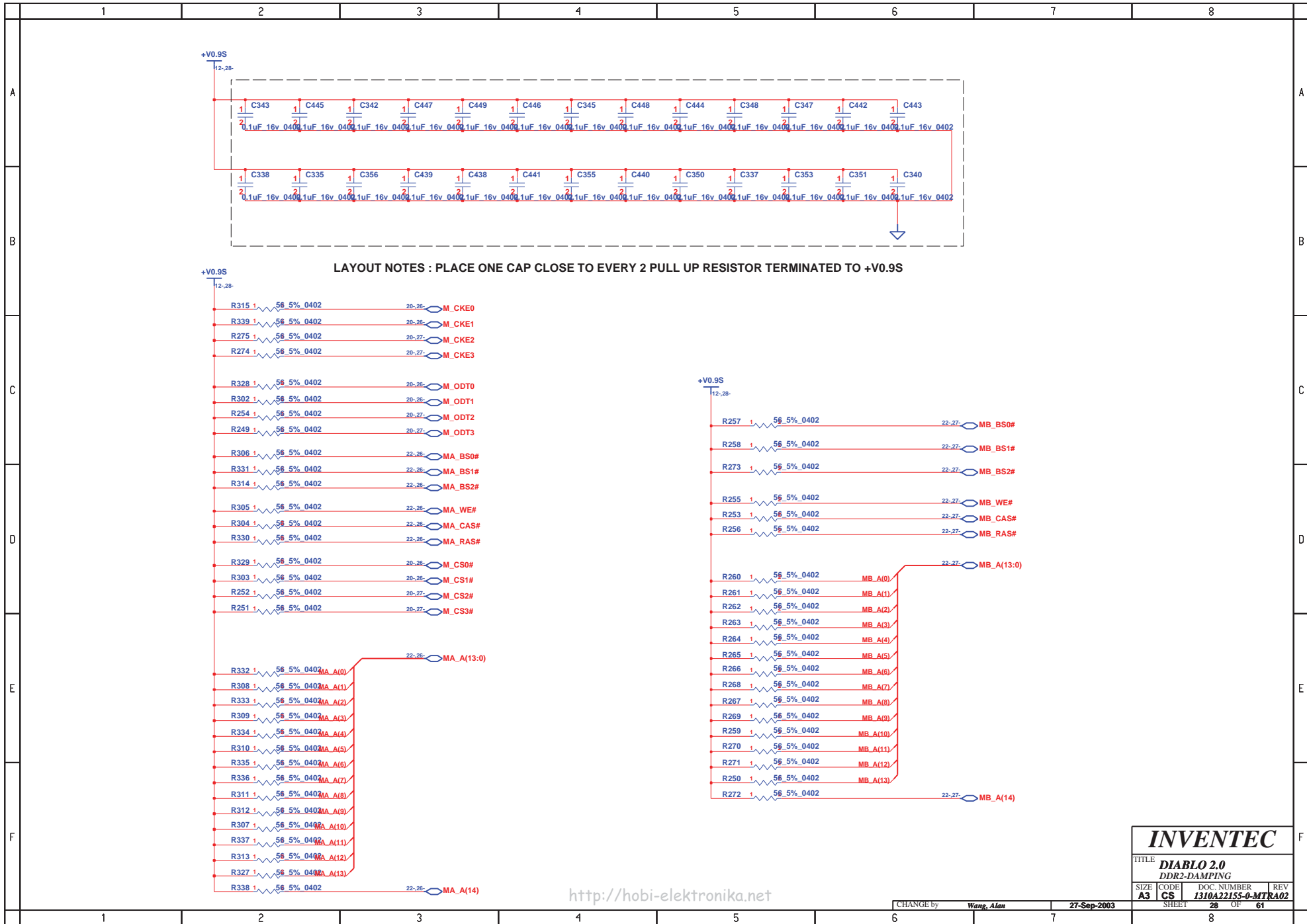


<http://hobi-elektronika.net>



<http://hobi-elektronika.net>

INVENTEC			
TITLE: DIABLO 2.0			
DDR2-DIMM1			
SIZE	CODE	DOC. NUMBER	REV
A3	CS	1310A22155-0-MTR	A02
CHANGE by		Wang, Alan	12-Aug-2008
SHEET		27	OF 61



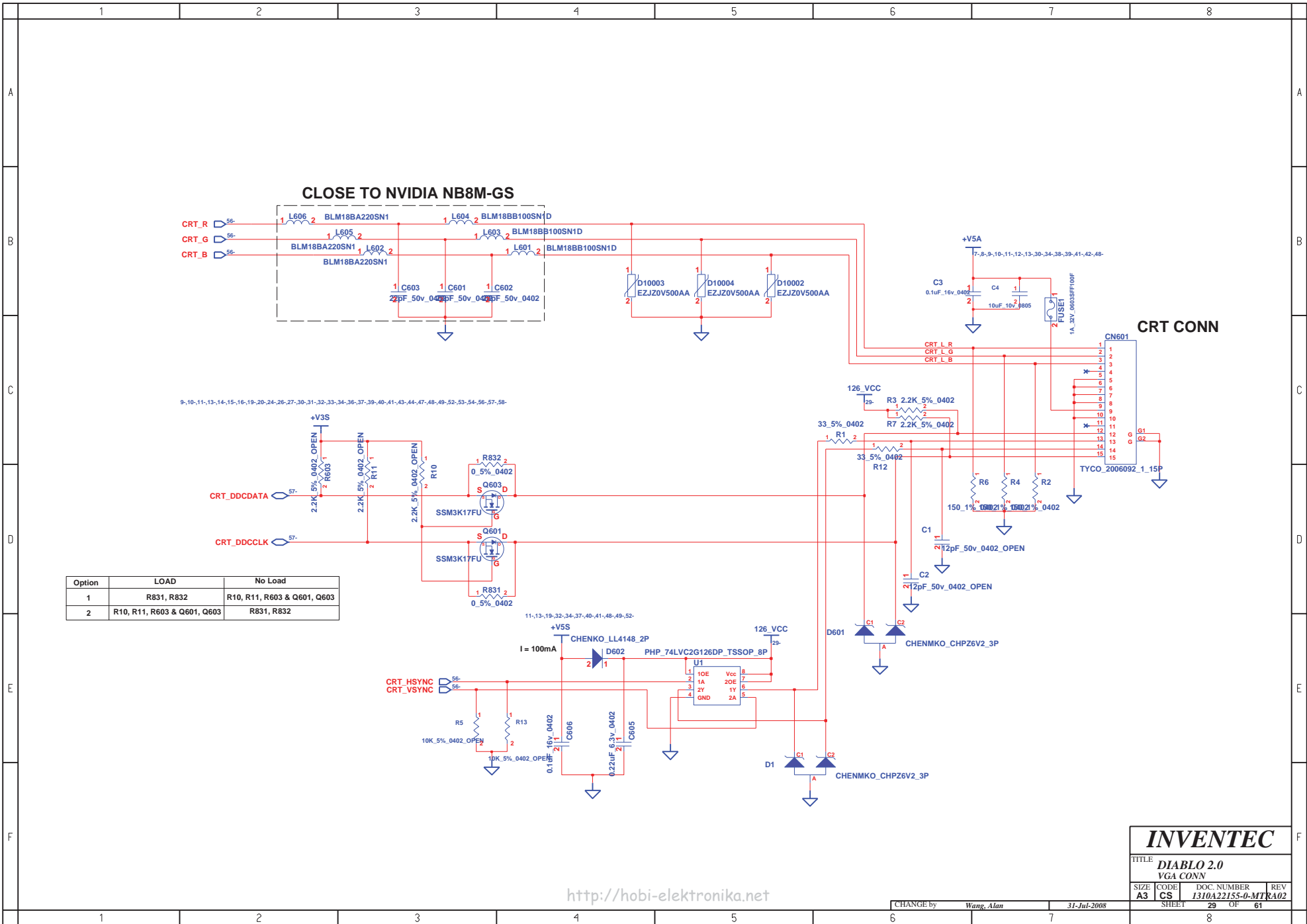
LAYOUT NOTES : PLACE ONE CAP CLOSE TO EVERY 2 PULL UP RESISTOR TERMINATED TO +V0.9S

<http://hobi-elektronika.net>

INVENTEC

TITLE			
DIABLO 2.0			
DDR2-DAMPING			
SIZE	CODE	DOC. NUMBER	REV
A3	CS	1310A22155-0-MTR	A02
SHEET		28	OF 61

CHANGE by Wang, Alan 27-Sep-2003



Option	LOAD	No Load
1	R831, R832	R10, R11, R603 & Q601, Q603
2	R10, R11, R603 & Q601, Q603	R831, R832

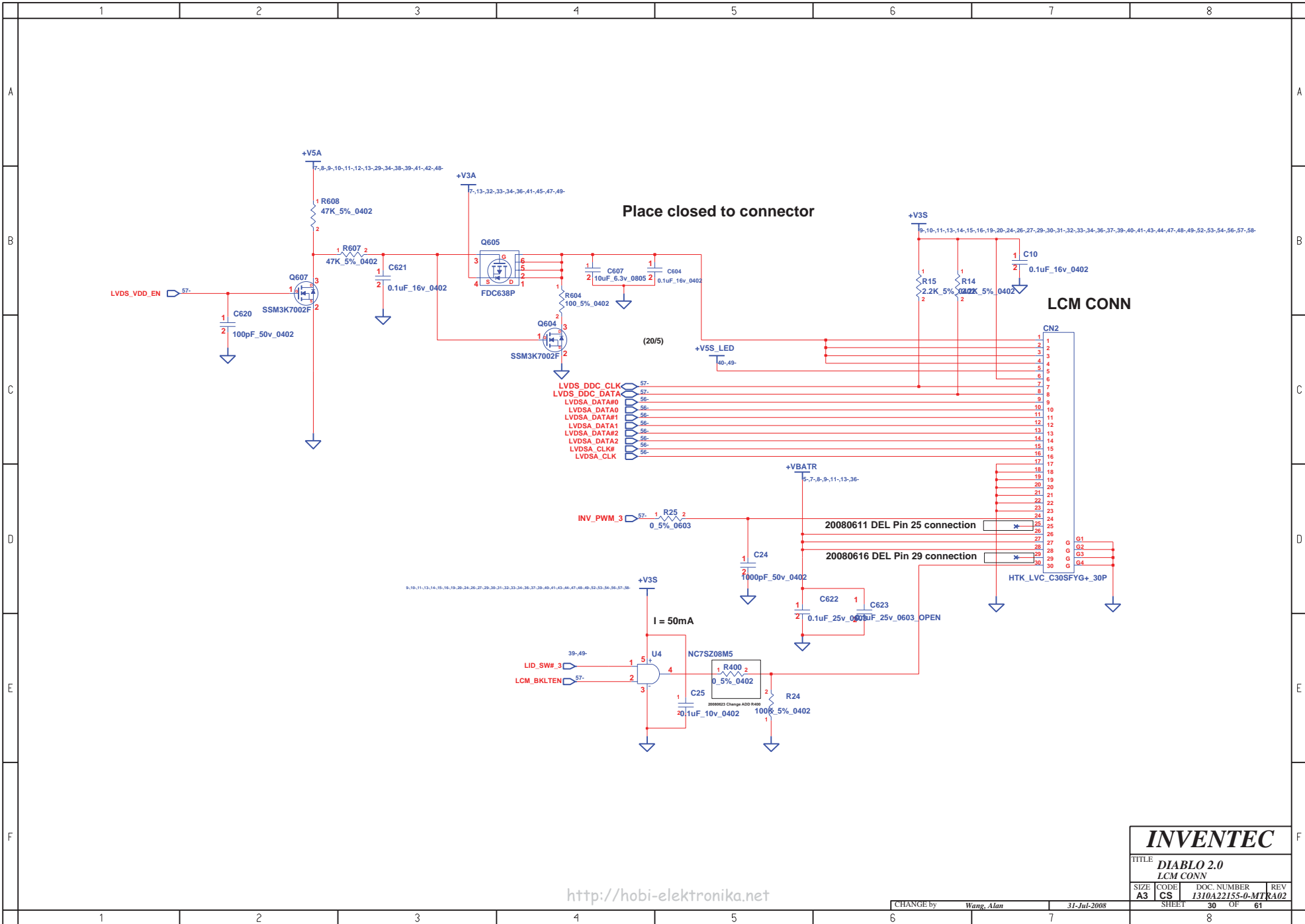
<http://hobi-elektronika.net>

INVENTEC

TITLE
DIABLO 2.0
VGA CONN

SIZE A3	CODE CS	DOC. NUMBER 1310A22155-0-MTR	REV A02
-------------------	-------------------	--	-------------------

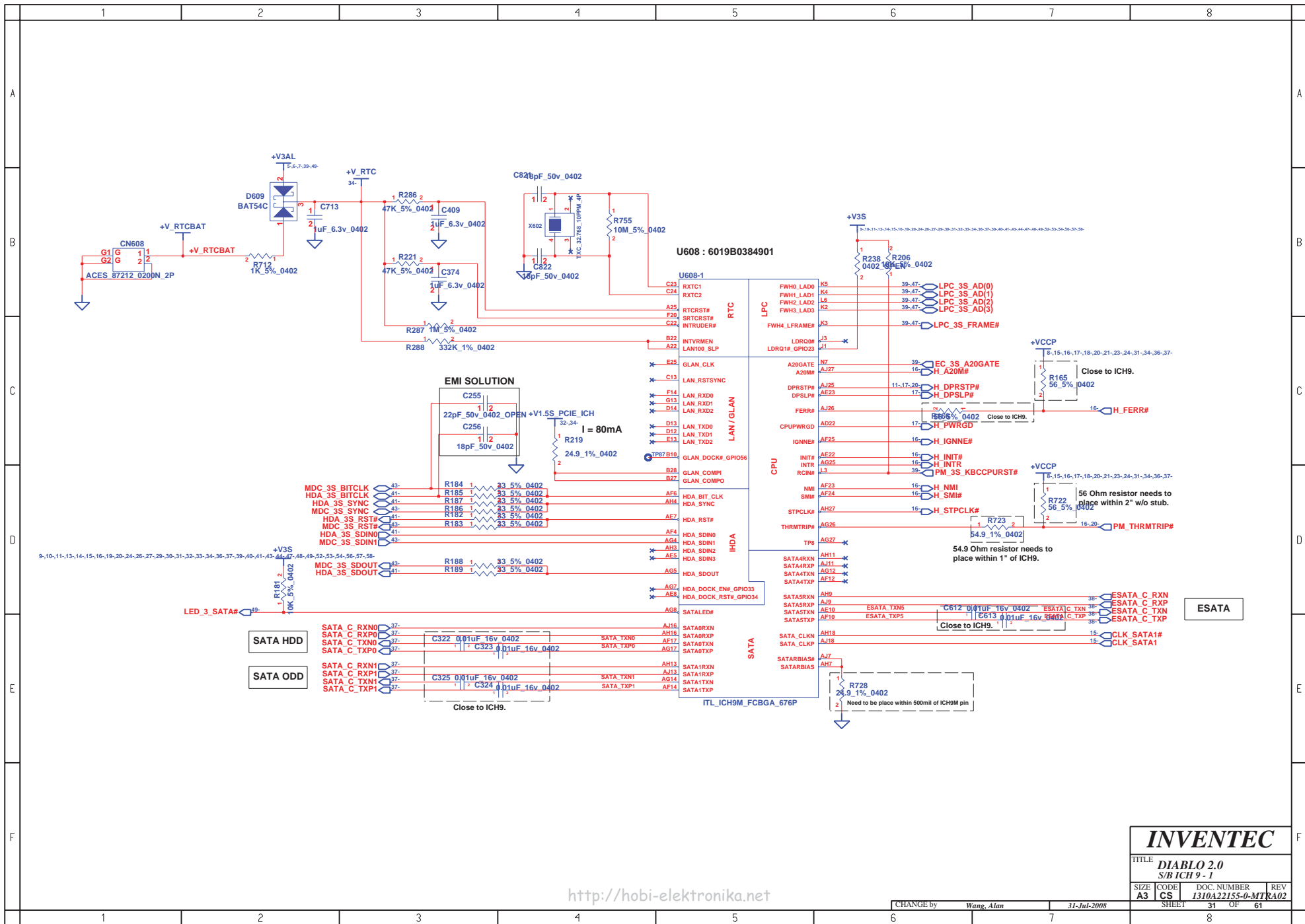
CHANGE by Wang, Alan 31-Jul-2008 SHEET 29 OF 61



<http://hobi-elektronika.net>

INVENTEC

TITLE			
DIABLO 2.0			
LCM CONN			
SIZE	CODE	DOC. NUMBER	REV
A3	CS	1310A22155-0-MTR	A02
CHANGE by		Wang, Alan	31-Jul-2008
SHEET		30	OF 61



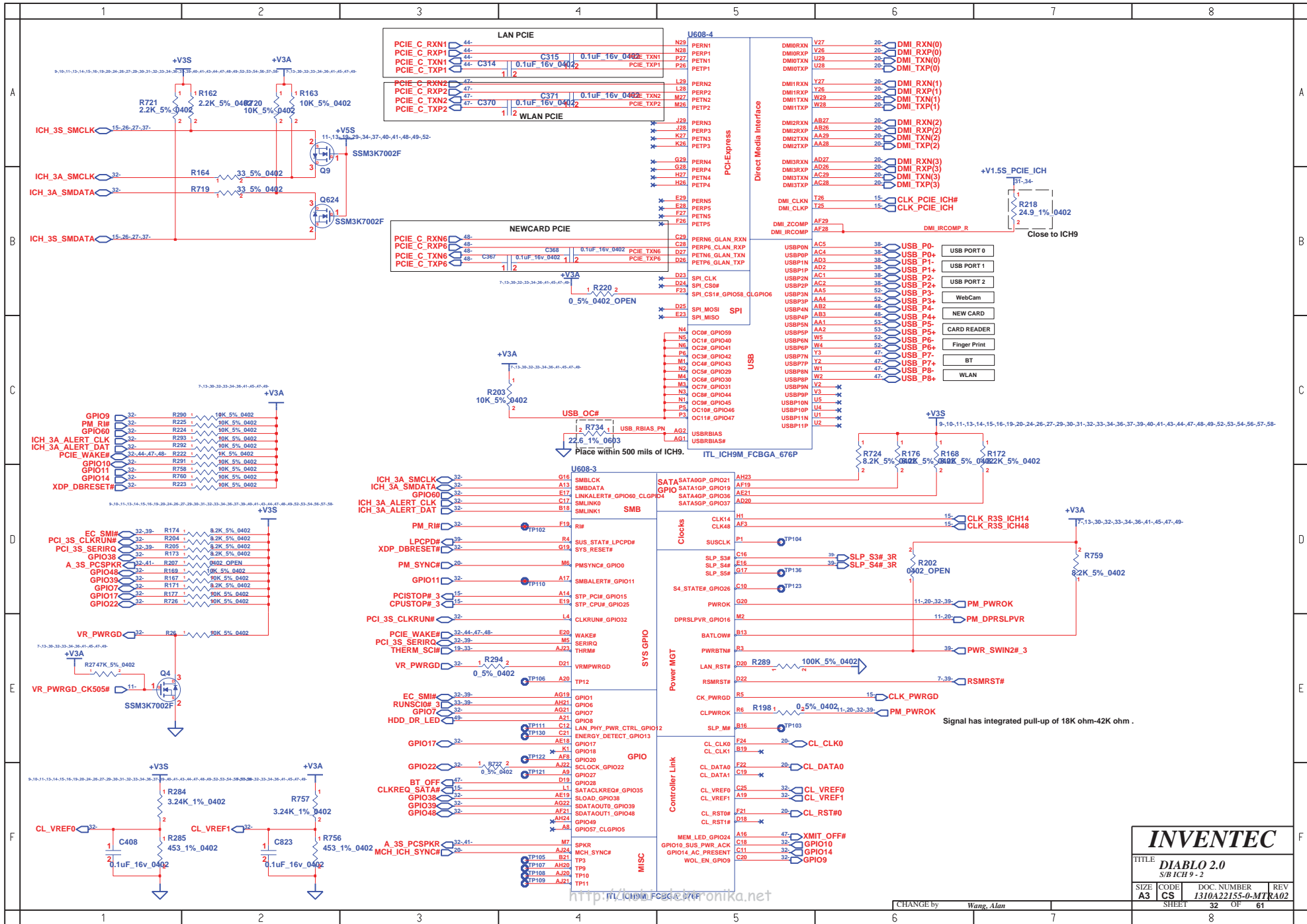
<http://hobi-elektronika.net>

INVENTEC

TITLE
DIABLO 2.0
S/B ICH9 - 1

SIZE	CODE	DOC. NUMBER	REV
A3	CS	1310A22155-0-MTR	A02
SHEET		31	OF 61

CHANGE by Wang, Alan 31-Jul-2008



http://www.onika.net

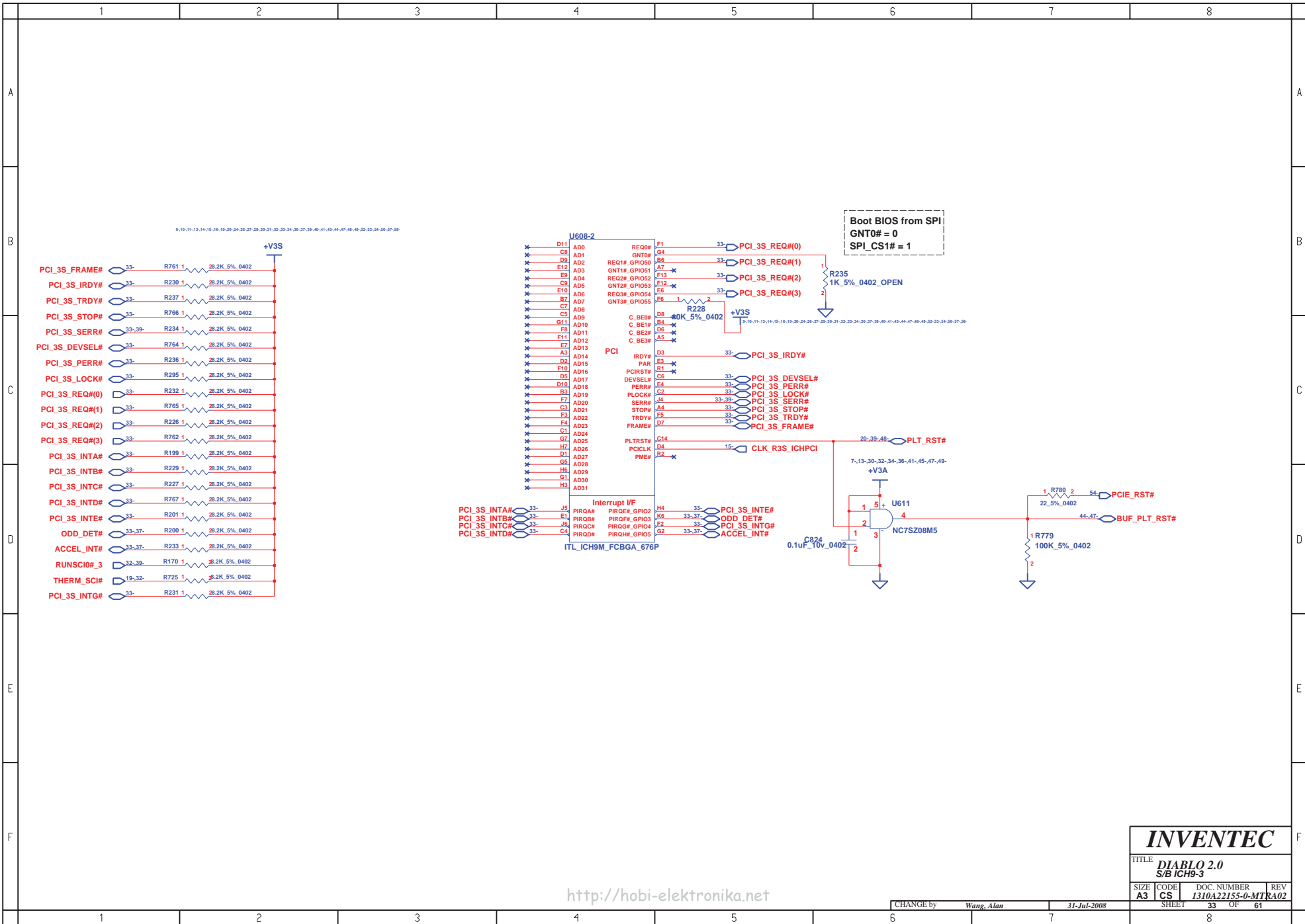
INVENTEC

TITLE
DIABLO 2.0
 S/B ICH9 - 2

SIZE	CODE	DOC. NUMBER	REV
A3	CS	1310A22155-0-MTR	A02
SHEET		32	OF 61

CHANGE by Wang, Alan

8



<http://hobi-elektronika.net>

INVENTEC

TITLE
DIABLO 2.0
 S/B ICH9-3

SIZE A3	CODE CS	DOC. NUMBER 1310A22155-0-MTR	REV A02
SHEET 33		OF 61	

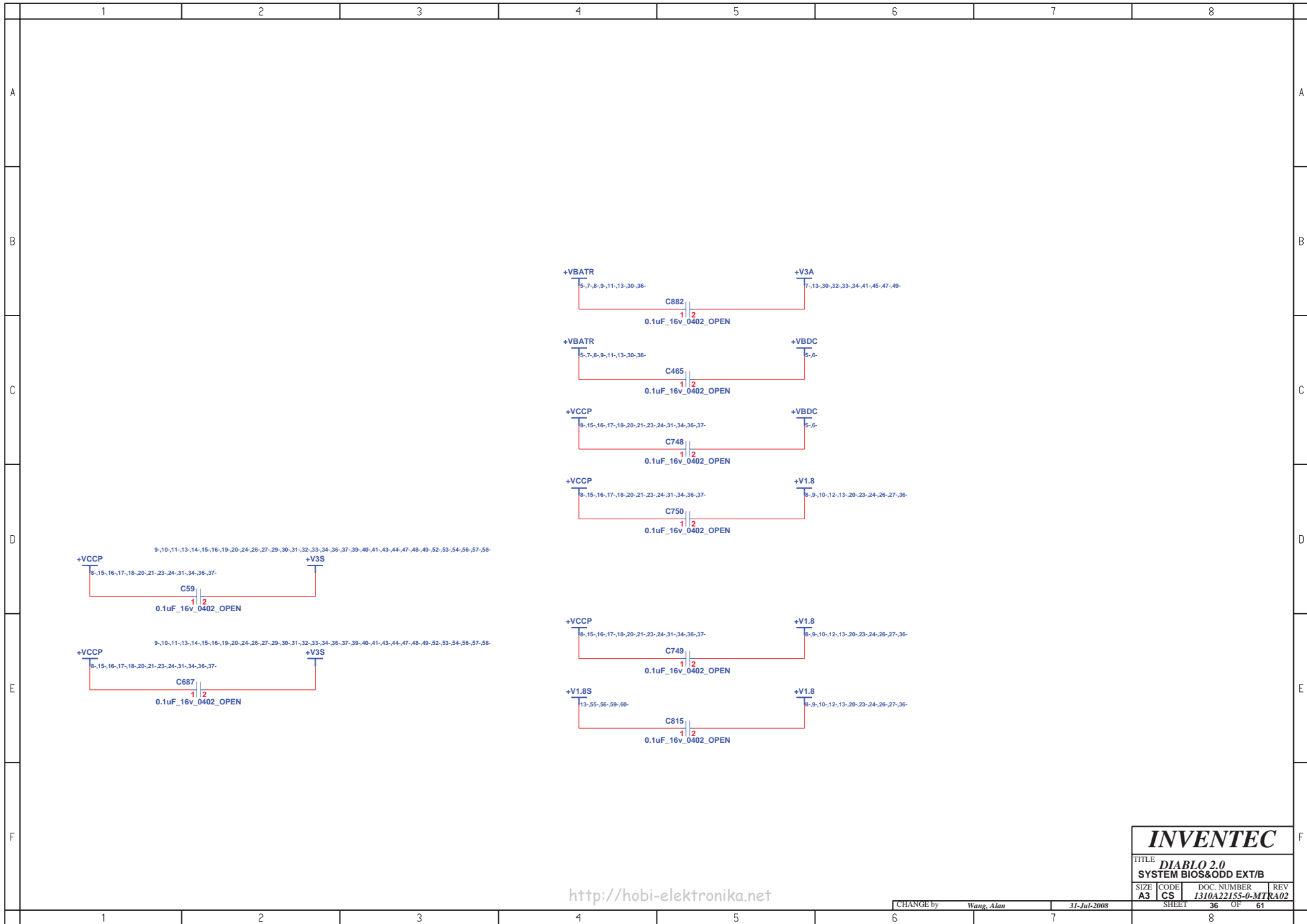
CHANGE by Wang, Alan 31-Jul-2008

	1	2	3	4	5	6	7	8
A				U608-5				
B				AA26 VSS001 VSS107 H5				
C				AA27 VSS002 VSS108 J23				
D				AA3 VSS003 VSS109 J26				
E				AA4 VSS004 VSS110 J27				
F				AB1 VSS005 VSS111 AC22				
				AA23 VSS006 VSS112 K28				
				AB28 VSS007 VSS113 K28				
				AB29 VSS008 VSS114 L13				
				AB4 VSS009 VSS115 L15				
				AB5 VSS010 VSS116 L2				
				AC17 VSS011 VSS117 L26				
				AC26 VSS012 VSS118 L27				
				AC27 VSS013 VSS119 L5				
				AC3 VSS014 VSS120 L7				
				AD1 VSS015 VSS121 M12				
				AD10 VSS016 VSS122 M13				
				AD12 VSS017 VSS123 M14				
				AD13 VSS018 VSS124 M15				
				AD14 VSS019 VSS125 M16				
				AD17 VSS020 VSS126 M17				
				AD18 VSS021 VSS127 M23				
				AD21 VSS022 VSS128 M28				
				AD26 VSS023 VSS129 M29				
				AD29 VSS024 VSS130 N11				
				AD4 VSS025 VSS131 N12				
				AD5 VSS026 VSS132 N13				
				AD6 VSS027 VSS133 N14				
				AD7 VSS028 VSS134 N15				
				AD9 VSS029 VSS135 N16				
				AE12 VSS030 VSS136 N17				
				AE13 VSS031 VSS137 N18				
				AE14 VSS032 VSS138 N26				
				AE16 VSS033 VSS139 N27				
				AE17 VSS034 VSS140 P12				
				AE2 VSS035 VSS141 P13				
				AE20 VSS036 VSS142 P14				
				AE24 VSS037 VSS143 P15				
				AE3 VSS038 VSS144 P16				
				AE4 VSS039 VSS145 P17				
				AE6 VSS040 VSS146 P2				
				AE9 VSS041 VSS147 P23				
				AF13 VSS042 VSS148 P28				
				AF16 VSS043 VSS149 P29				
				AF18 VSS044 VSS150 P4				
				AF22 VSS045 VSS151 P7				
				AH26 VSS046 VSS152 R11				
				AF26 VSS047 VSS153 R12				
				AF27 VSS048 VSS154 R13				
				AF3 VSS049 VSS155 R14				
				AF7 VSS050 VSS156 R15				
				AF9 VSS051 VSS157 R16				
				AG13 VSS052 VSS158 R17				
				AG18 VSS053 VSS159 R18				
				AG18 VSS054 VSS160 R28				
				AG20 VSS055 VSS161 T12				
				AG23 VSS056 VSS162 T13				
				AG3 VSS057 VSS163 T14				
				AG6 VSS058 VSS164 T15				
				AG9 VSS059 VSS165 T16				
				AH12 VSS060 VSS166 T17				
				AH14 VSS061 VSS167 T23				
				AH17 VSS062 VSS168 B26				
				AH19 VSS063 VSS169 U12				
				AH2 VSS064 VSS170 U13				
				AH22 VSS065 VSS171 U14				
				AH25 VSS066 VSS172 U15				
				AH28 VSS067 VSS173 U16				
				AH5 VSS068 VSS174 U17				
				AH6 VSS069 VSS175 A203				
				AH8 VSS070 VSS176 U26				
				AJ12 VSS071 VSS177 U27				
				AJ14 VSS072 VSS178 U3				
				AJ17 VSS073 VSS179 V1				
				AJ8 VSS074 VSS180 V13				
				B11 VSS075 VSS181 V15				
				B14 VSS076 VSS182 V23				
				B7 VSS077 VSS183 V28				
				B20 VSS078 VSS184 V29				
				B23 VSS079 VSS185 V4				
				B5 VSS080 VSS186 V5				
				B8 VSS081 VSS187 W26				
				C26 VSS082 VSS188 W27				
				C27 VSS083 VSS189 W3				
				E11 VSS084 VSS190 Y1				
				E14 VSS085 VSS191 Y28				
				E18 VSS086 VSS192 Y29				
				E2 VSS087 VSS193 Y4				
				E21 VSS088 VSS194 Y5				
				E24 VSS089 VSS195 AG28				
				E5 VSS090 VSS196 AH6				
				F8 VSS091 VSS197 AF2				
				F16 VSS092 VSS198 B25				
				F28 VSS093				
				F29 VSS094 VSS_NCTF1 A1				
				G12 VSS095 VSS_NCTF2 A2				
				G14 VSS096 VSS_NCTF3 A28				
				G18 VSS097 VSS_NCTF4 A29				
				G21 VSS098 VSS_NCTF5 AH1				
				G24 VSS099 VSS_NCTF6 AH29				
				G25 VSS100 VSS_NCTF7 AH1				
				G27 VSS101 VSS_NCTF8 AJ2				
				G8 VSS102 VSS_NCTF9 AJ28				
				H2 VSS103 VSS_NCTF10 AJ29				
				H23 VSS104 VSS_NCTF11 B1				
				H28 VSS105 VSS_NCTF12 B29				
				H29 VSS106				
				ITL_ICH9M_FCBGA_676P				
				http://hobi-elektronika.net				
					CHANGE by Wang, Alan	31-Jul-2008		
							SHEET 35 OF 61	
	1	2	3	4	5	6	7	8

INVENTEC

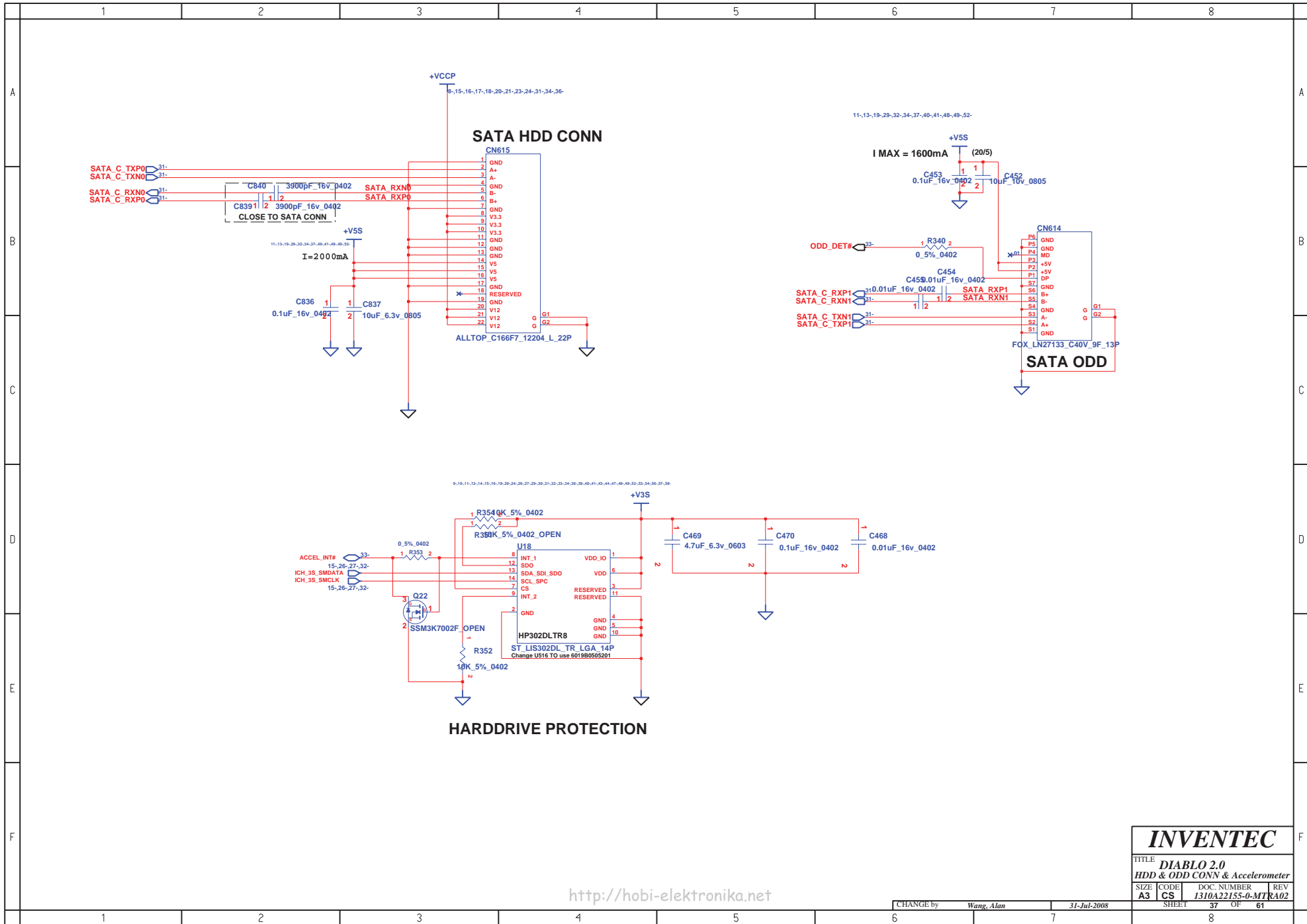
TITLE
DIABLO 2.0
S/B ICH9 - 5

SIZE A3	CODE CS	DOC. NUMBER 1310A22155-0-MTR	REV A02
-------------------	-------------------	--	-------------------



<http://hobi-elektronika.net>

INVENTEC			
TITLE DIABLO 2.0			
SYSTEM BIOS&ODD EXT/B			
SIZE	CODE	DOC. NUMBER	REV
A3	CS	1310A22155-0-MTR	A02
CHANGE by		Wang, Alan	31-Jul-2008
SHEET		36	OF 61

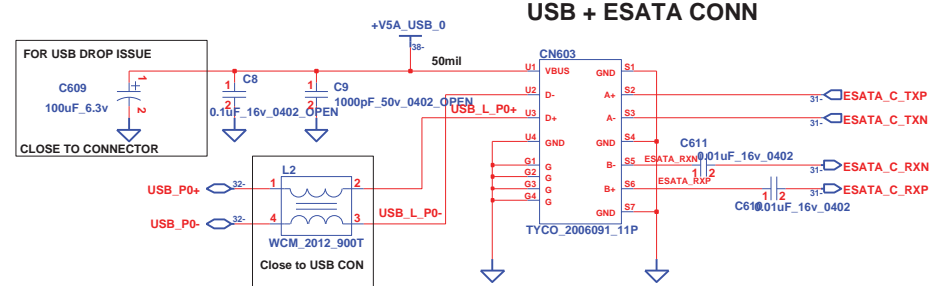
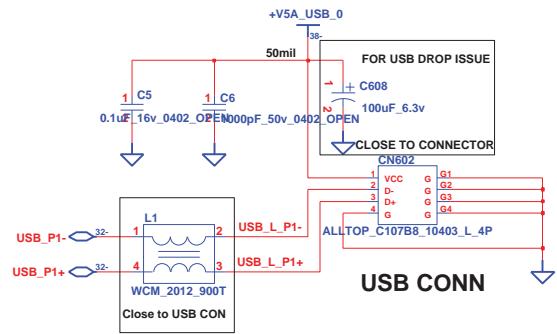
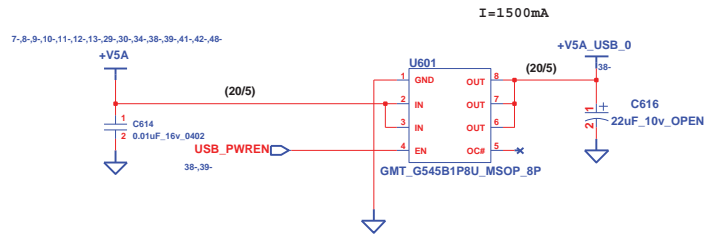
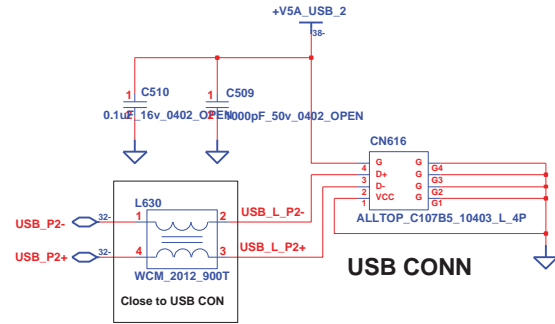
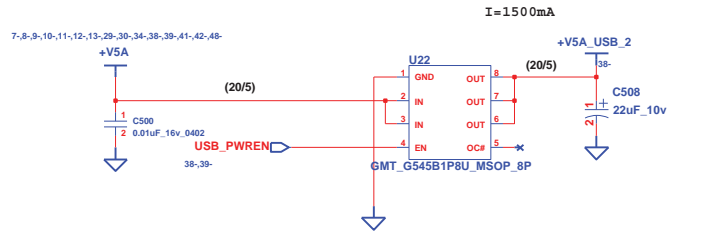


<http://hobi-elektronika.net>

INVENTEC

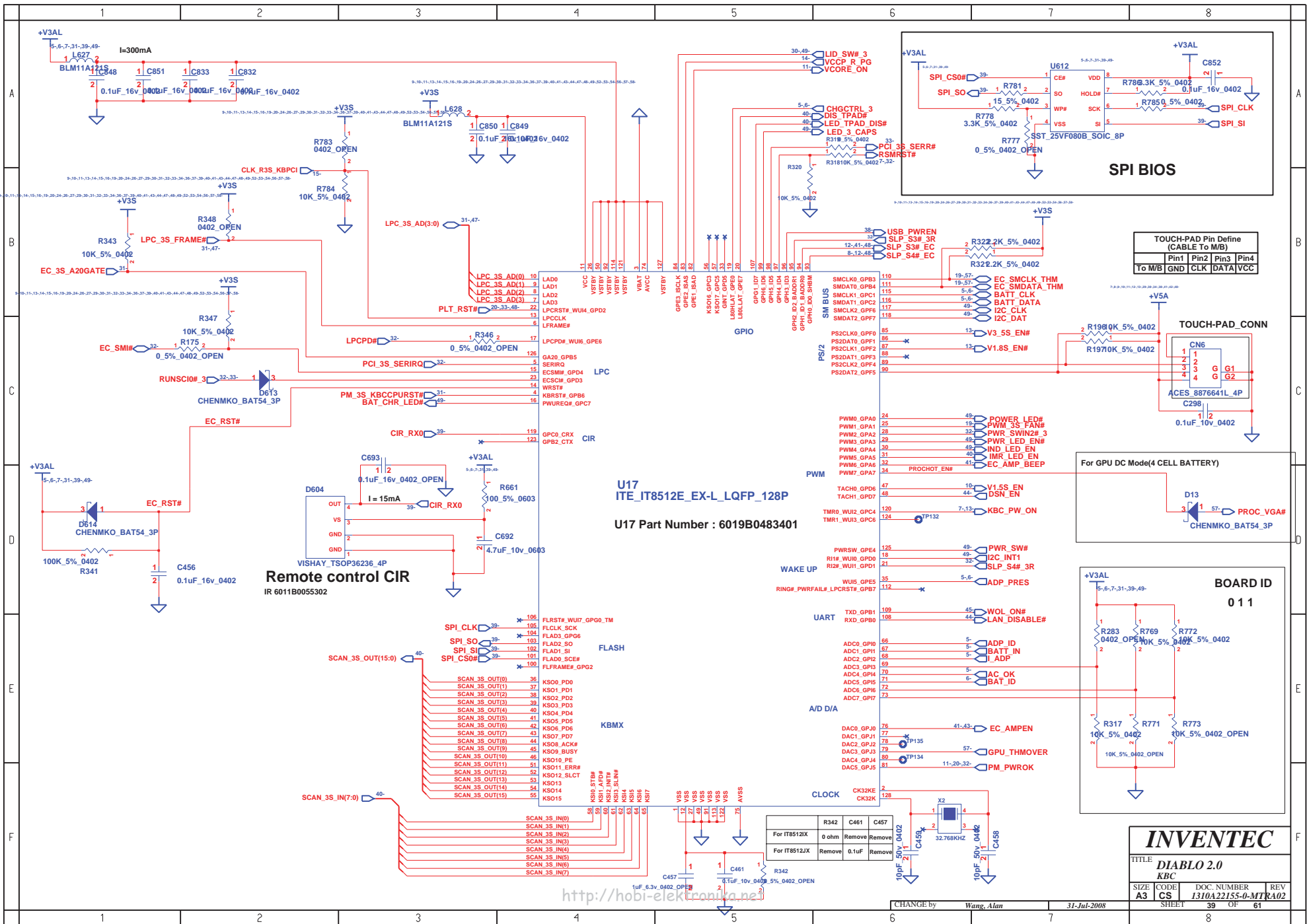
TITLE			
DIABLO 2.0			
HDD & ODD CONN & Accelerometer			
SIZE	CODE	DOC. NUMBER	REV
A3	CS	1310A22155-0-MT	A02
CHANGE by		Wang, Alan	31-Jul-2008
SHEET		37	OF 61

CHANGE by Wang, Alan 31-Jul-2008

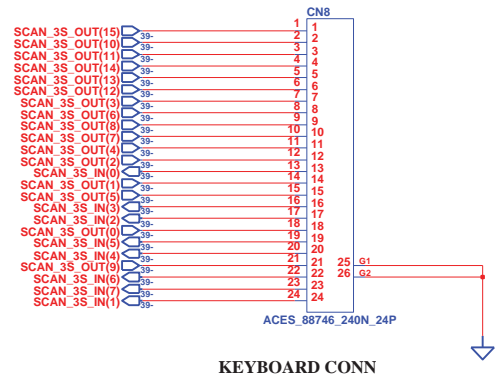


<http://hobi-elektronika.net>

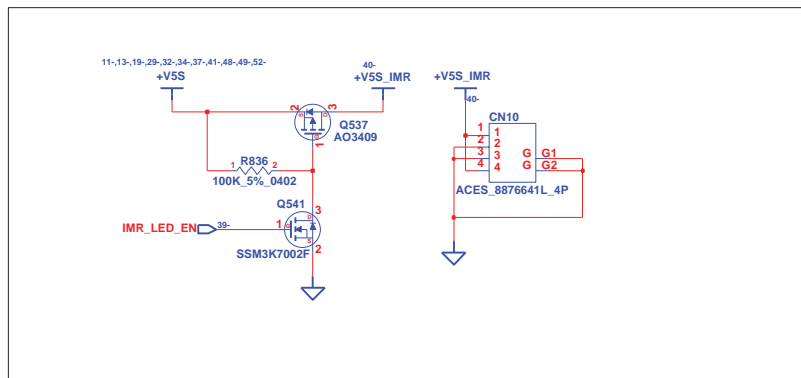
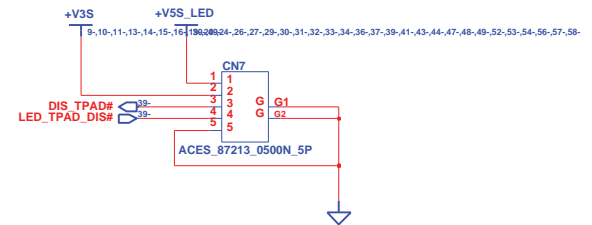
INVENTEC			
TITLE DIABLO 2.0 USB CONN			
SIZE A3	CODE CS	DOC. NUMBER 1310A22155-0-MTR	REV A02
CHANGE by <i>Wang, Alan</i>		31-Jul-2008	
SHEET 38		OF 61	



<http://hobi-elektronika.net>



TOUCHPAD LED CONN

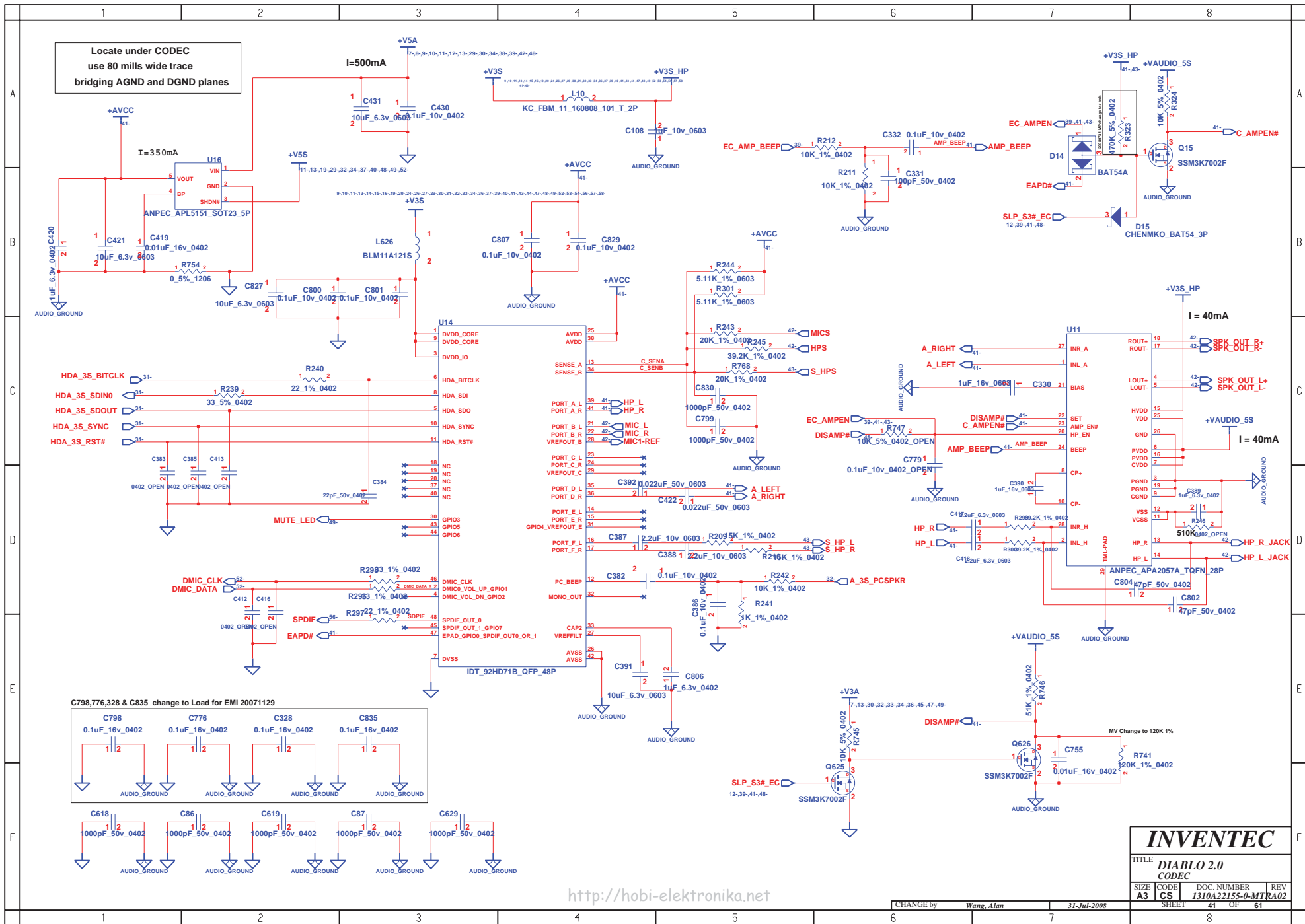


<http://hobi-elektronika.net>

INVENTEC

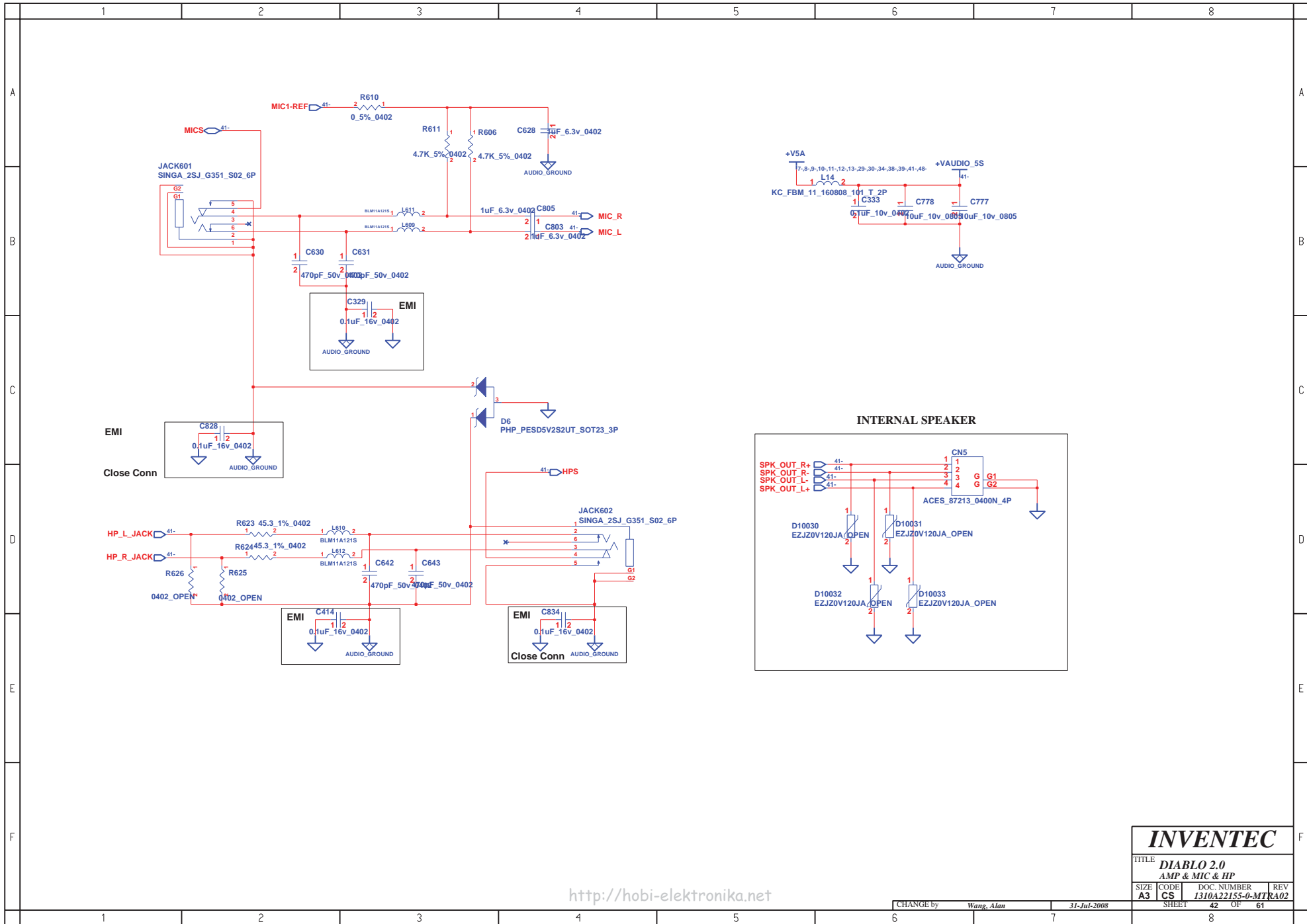
TITLE **DIABLO 2.0**
KB & TP CONN

SIZE A3	CODE CS	DOC. NUMBER 1310A22155-0-MTR	REV A02
CHANGE by Wang, Alan		31-Jul-2008	
SHEET 40		OF 61	



INVENTEC			
TITLE DIABLO 2.0 CODEC			
SIZE A3	CODE CS	DOC. NUMBER 1310A22155-0-MTR A02	REV
CHANGE by <i>Wang, Alan</i>		31-Jul-2008	
SHEET 41		OF 61	

<http://hobi-elektronika.net>

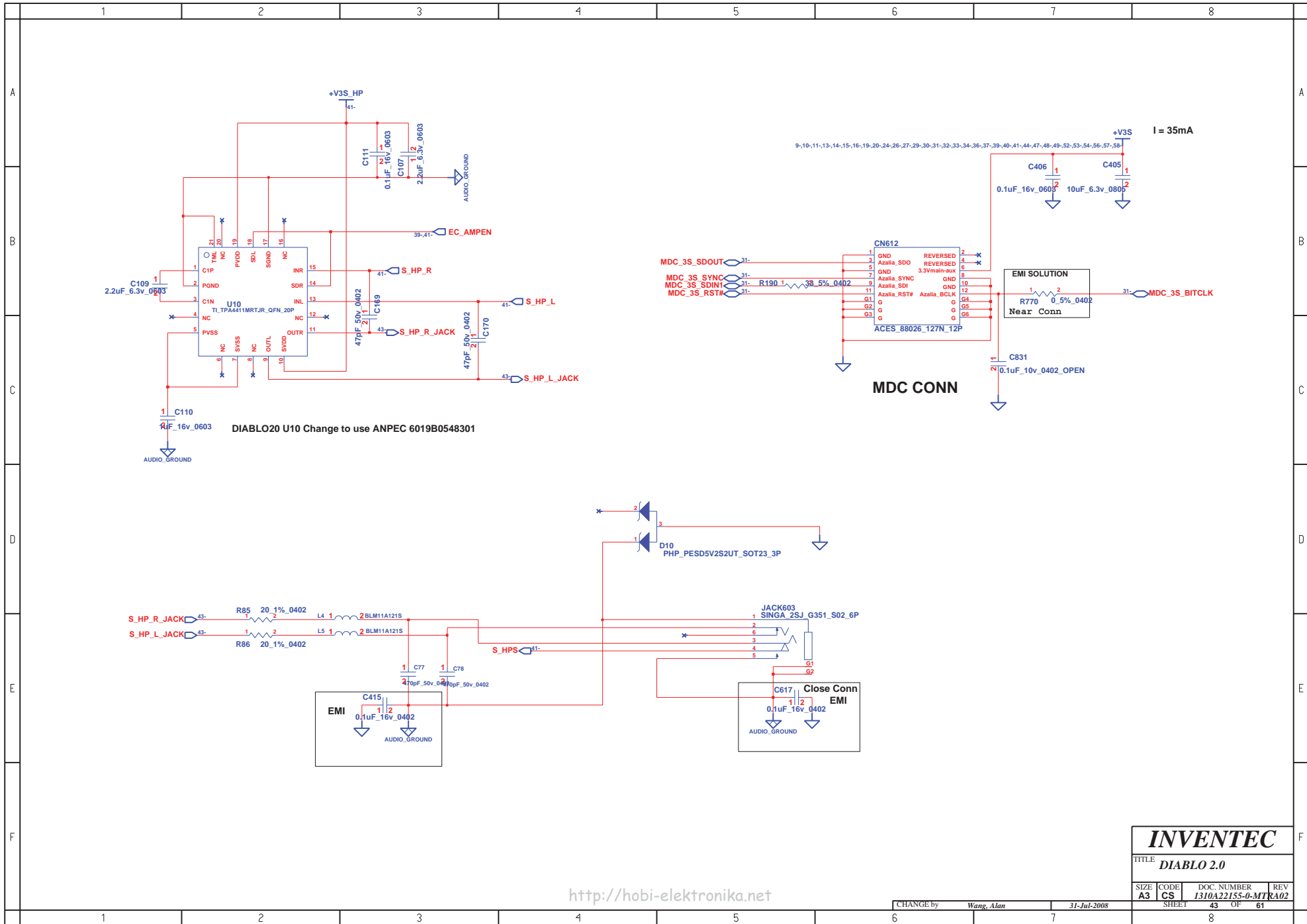


<http://hobi-elektronika.net>

INVENTEC

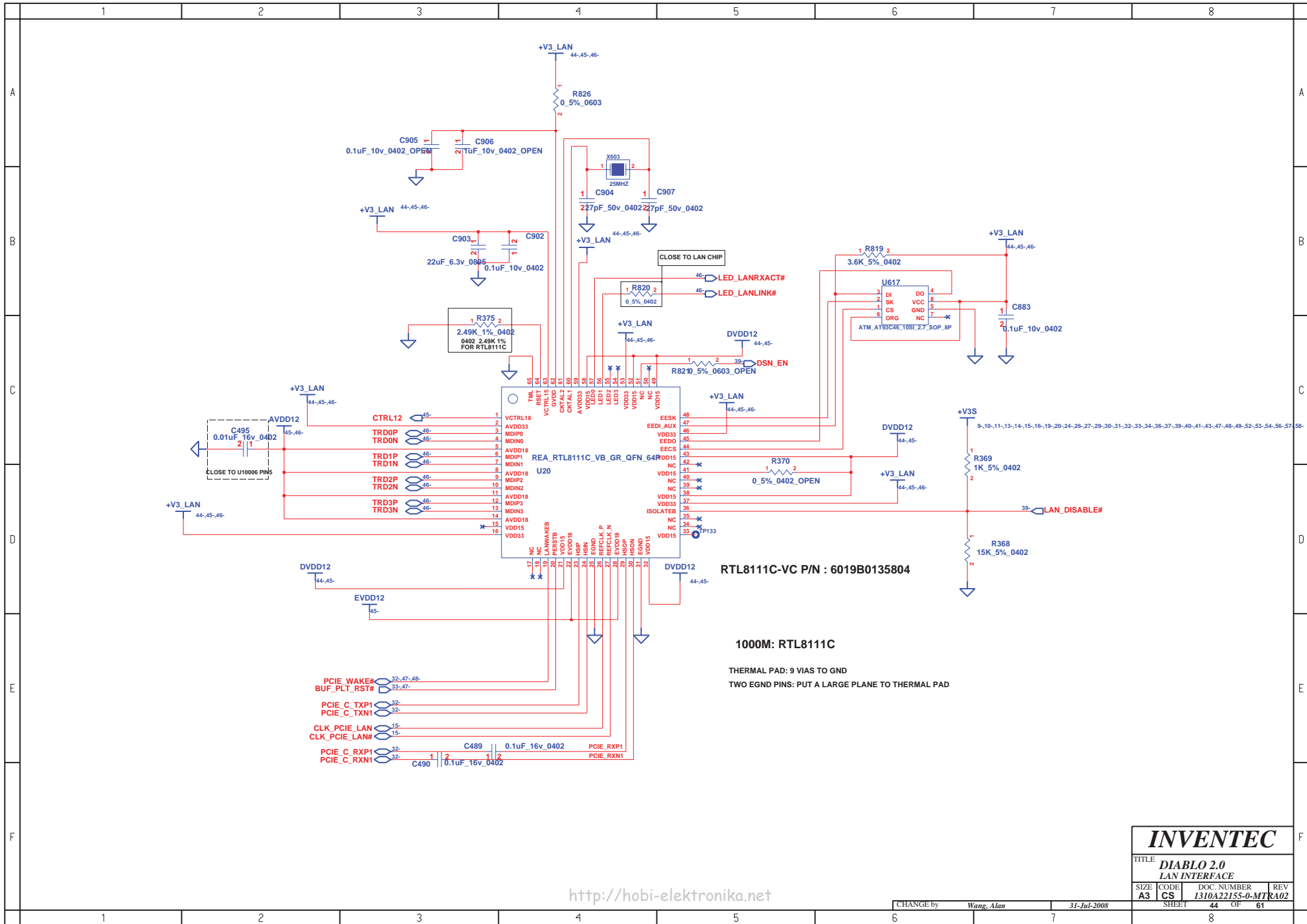
TITLE
**DIABLO 2.0
AMP & MIC & HP**

SIZE A3	CODE CS	DOC. NUMBER 1310A22155-0-MTR02	REV 1
CHANGE by <i>Wang, Alan</i>		31-Jul-2008	
SHEET 42		OF 61	



<http://hobi-elektronika.net>

INVENTEC			
TITLE DIABLO 2.0			
SIZE A3	CODE CS	DOC. NUMBER 1310A22155-0-MTR	REV A02
CHANGE by <i>Wang, Alan</i>		31-Jul-2008	
SHEET 43		OF 61	

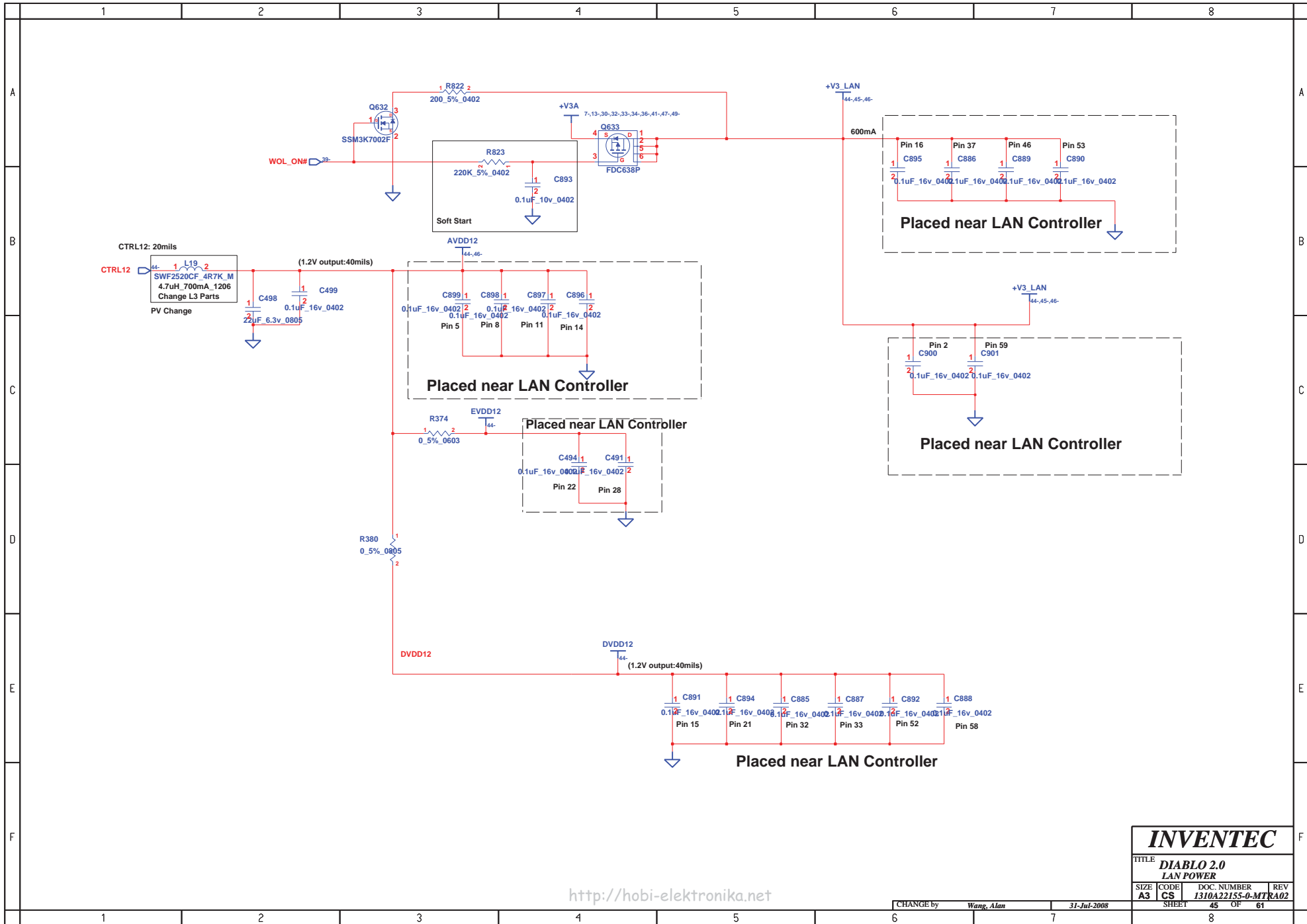


<http://hobi-elektronika.net>

INVENTEC

TITLE
DIABLO 2.0
LAN INTERFACE

SIZE A3	CODE CS	DOC NUMBER 1310A22155-0-MTR	REV A02
CHANGE by <i>Wang, Alan</i>		31-Jul-2008	
SHEET 44		OF 61	

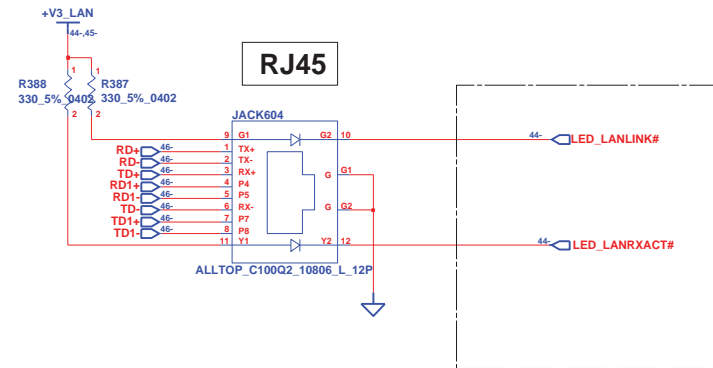
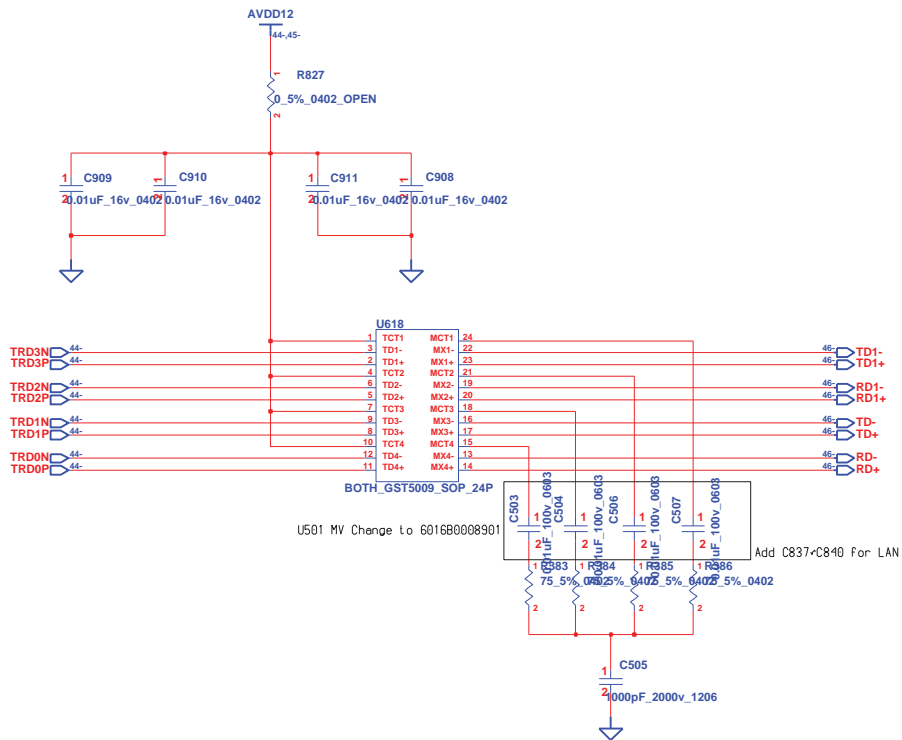


<http://hobi-elektronika.net>

INVENTEC

TITLE			
DIABLO 2.0			
LAN POWER			
SIZE	CODE	DOC. NUMBER	REV
A3	CS	1310A22155-0-MTR	RA02
SHEET		45	OF 61

CHANGE by Wang, Alan 31-Jul-2008



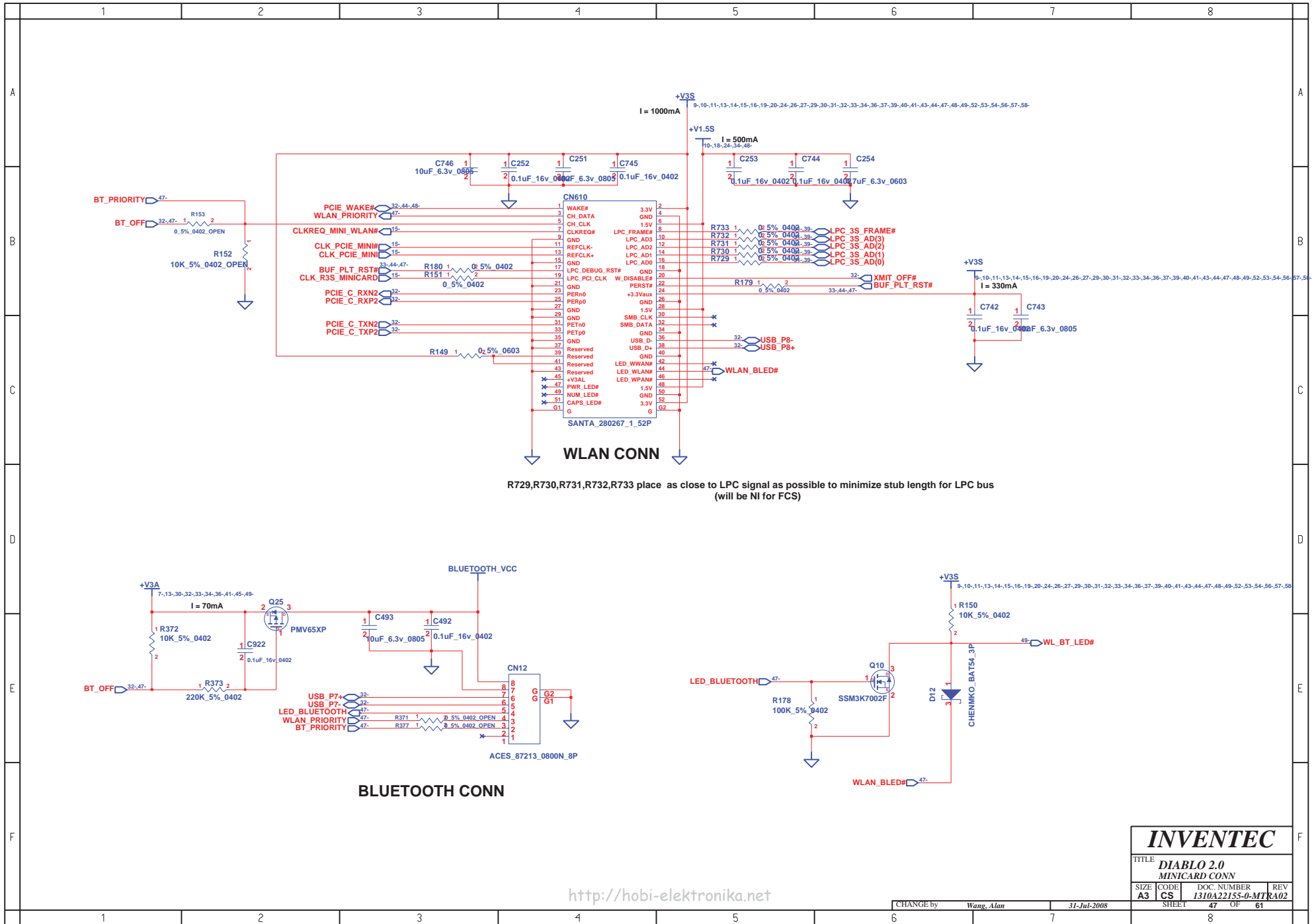
LAYOUT NOTE : Place termination resistors and caps as close to LAN controller as possible

<http://hobi-elektronika.net>

INVENTEC			
TITLE DIABLO 2.0 LAN RJ45 CONN			
SIZE A3	CODE CS	DOC. NUMBER 1310A22155-0-MTR	REV A02
CHANGE by <i>Wang, Alan</i>		31-Jul-2008	
SHEET 46		OF 61	

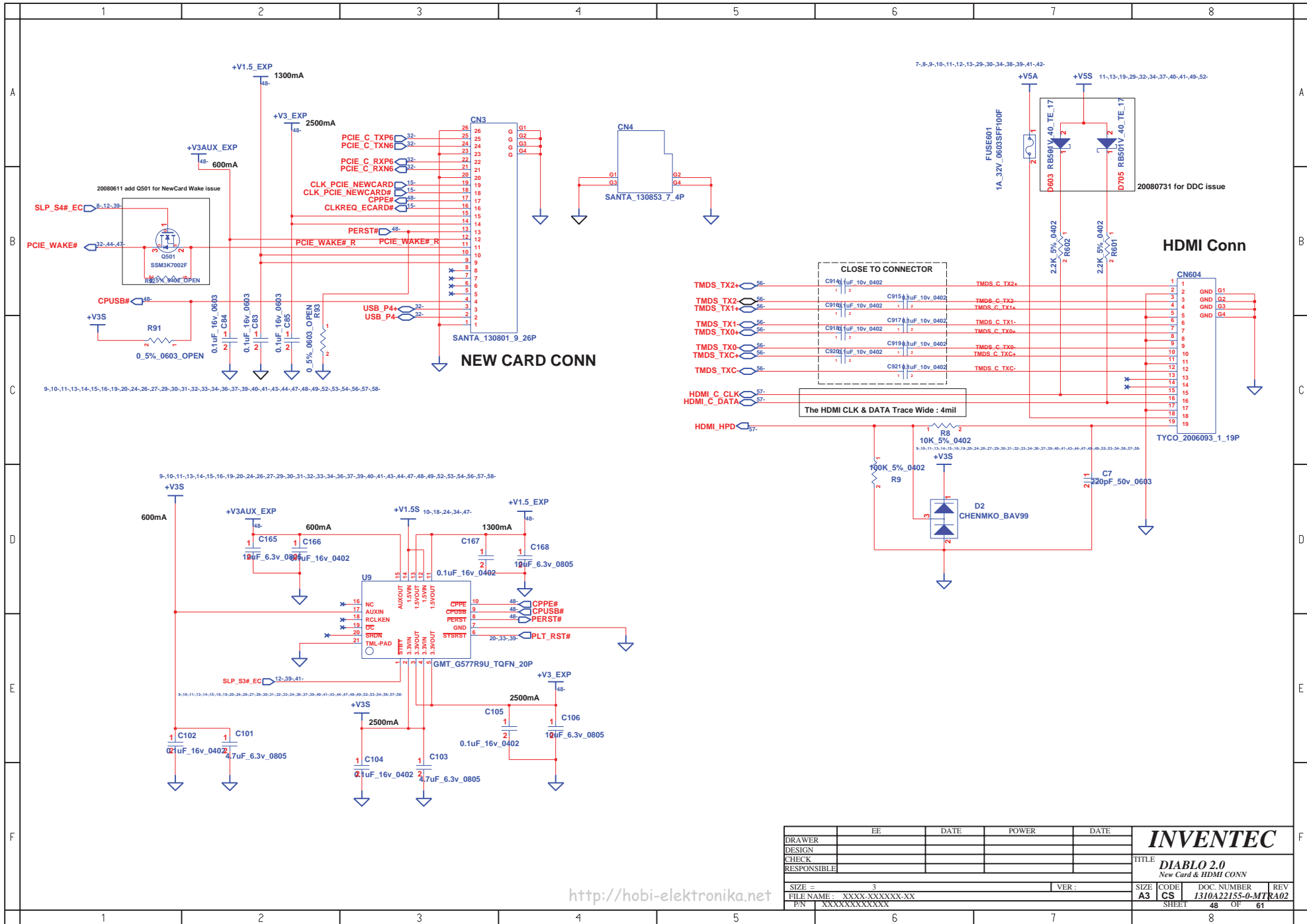
CHANGE by Wang, Alan 31-Jul-2008

SHEET 46 OF 61



INVENTEC			
TITLE DIABLO 2.0 MINICARD CONN			
SIZE A3	CODE CS	DOC. NUMBER 1310A22155-0-MTR	REV A02
CHANGE by <i>Wang, Alan</i>		31-Jul-2008	
SHEET 47		OF 61	

<http://hobi-elektronika.net>



<http://hobi-elektronika.net>

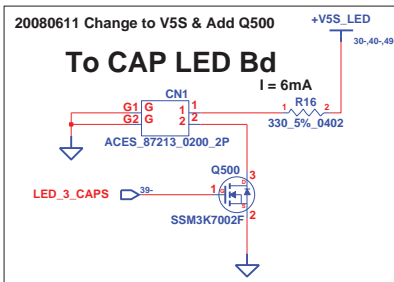
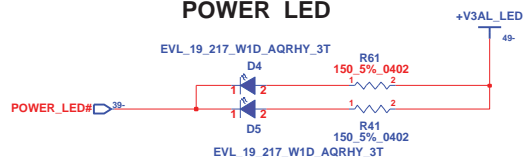
DRAWER	EE	DATE	POWER	DATE	INVENTEC TITLE DIABLO 2.0 New Card & HDMI CONN			
DESIGN								
CHECK								
RESPONSIBLE								
SIZE =	3	VER :			SIZE	CODE	DOC. NUMBER	REV
FILE NAME :	XXXX-XXXXXX-XX				A3	CS	1310A22155-0-MTR	A02
P/N	XXXXXXXXXXXX						SHEET	48 OF 61

LED P/N: 6011B0072901

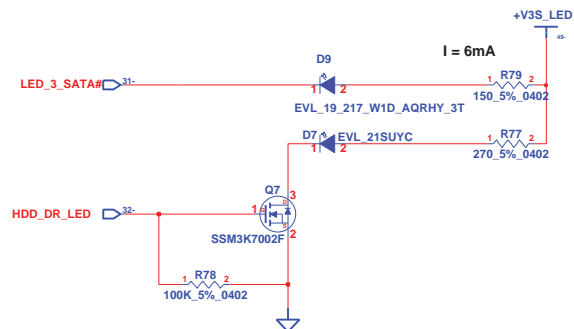
BATTERY-CHARGE LED



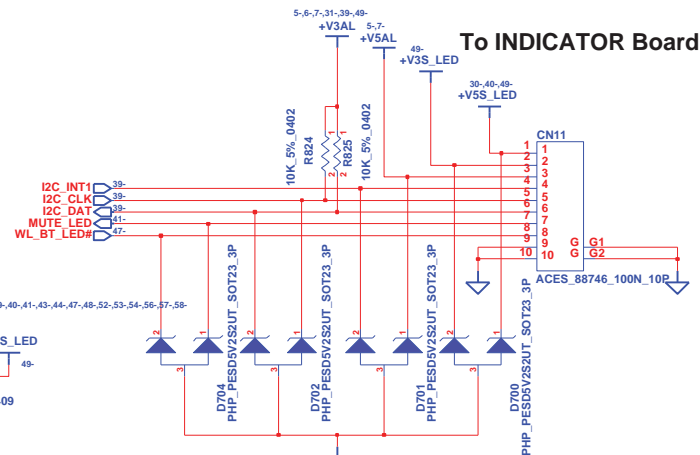
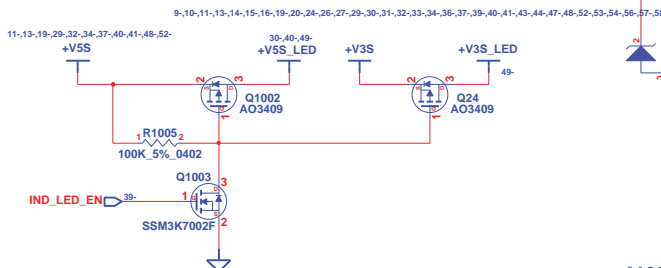
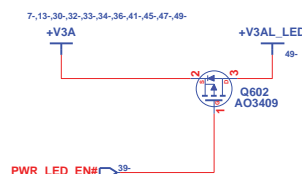
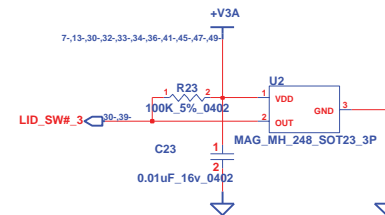
POWER LED



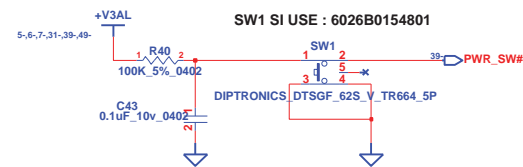
SATA LED & HDD-HALTED LED



LID SWITCH



20080731 change to ESD Diode



POWER BUTTON

<http://hobi-elektronika.net>

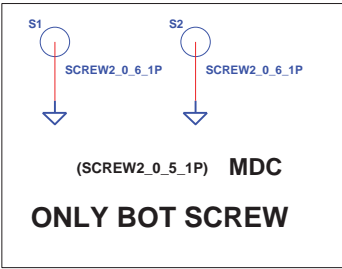
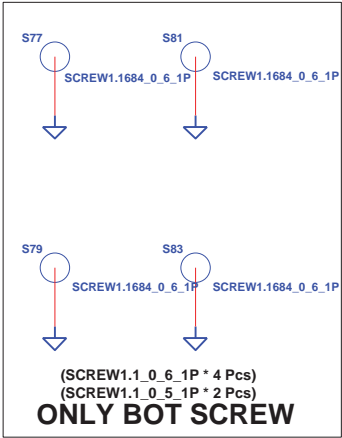
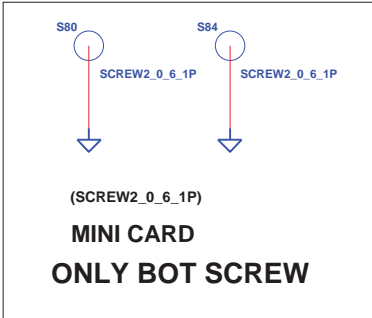
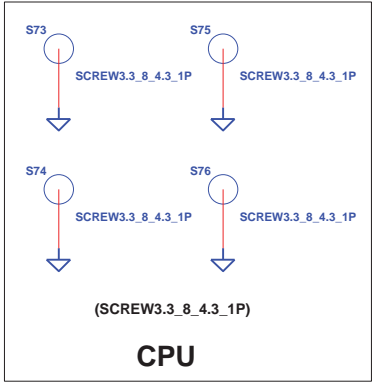
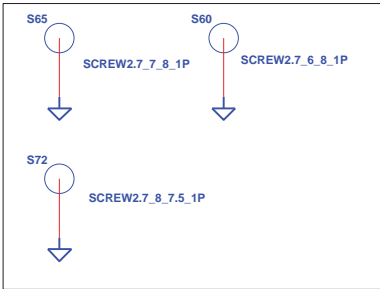
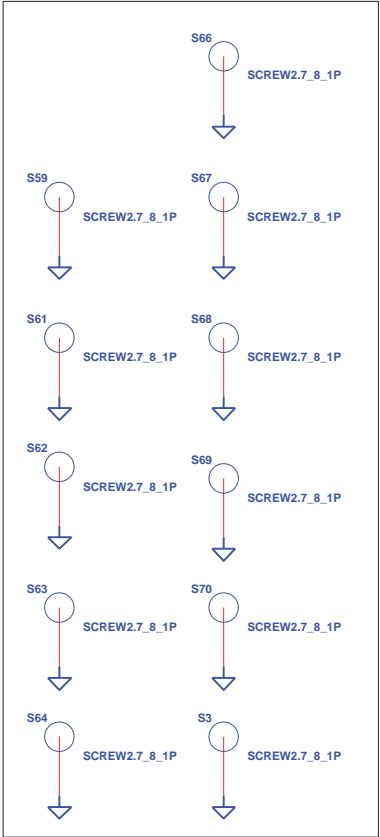
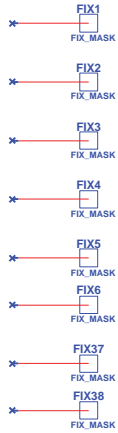
INVENTEC

TITLE
**DIABLO 2.0
BUTTON & LED**

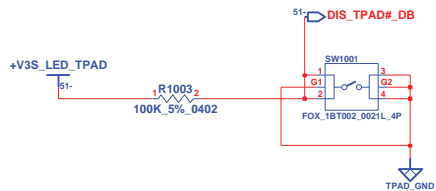
SIZE A3	CODE CS	DOC NUMBER I310A22155-0-MTR	REV A02
------------	------------	--------------------------------	------------

CHANGE by Wang, Alan 31-Jul-2008

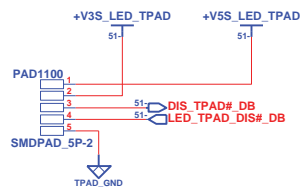
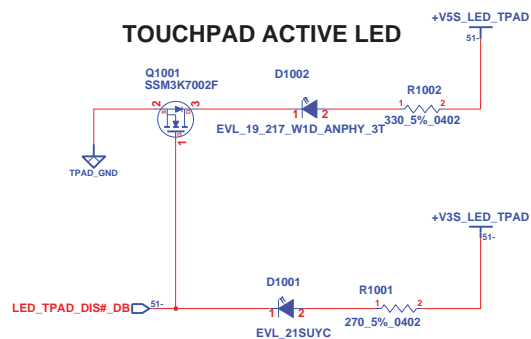
SHEET 49 OF 61



TOUCHPAD-DISABLE BUTTOM_DB



TOUCHPAD ACTIVE LED



TouchPad Disable DB

INVENTEC

TITLE
**DIABLO 2.0
FINGER PRINTER CONN.**

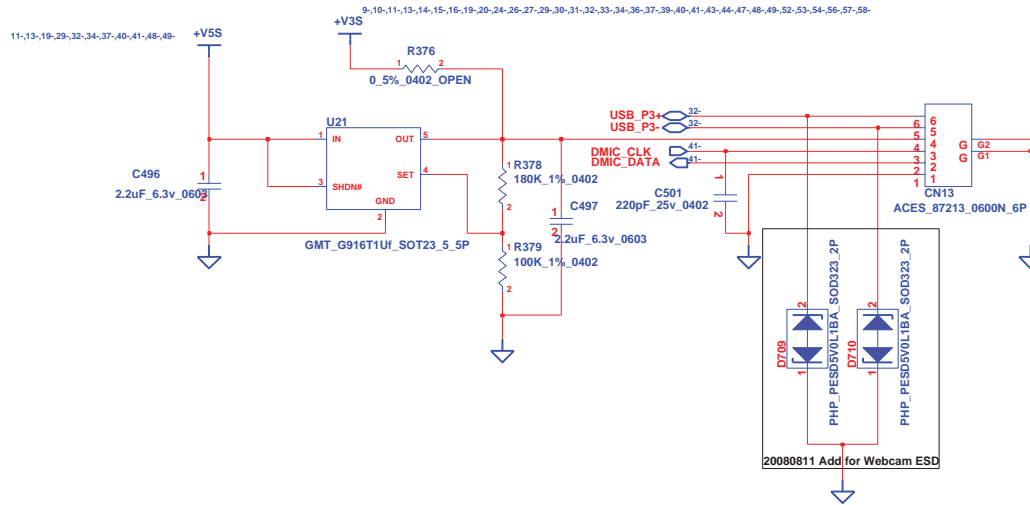
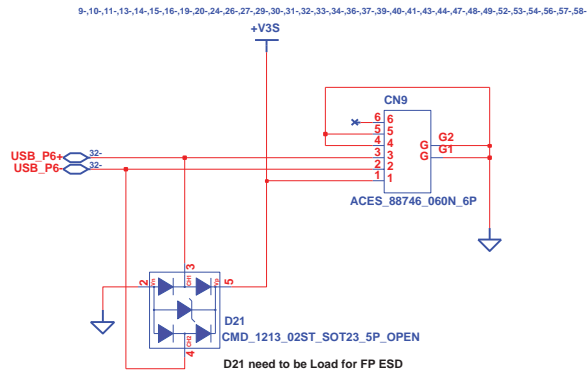
SIZE A3	CODE CS	DOC. NUMBER 1310A22192-0-MTR	REV A02
-------------------	-------------------	--	-------------------

<http://hobi-elektronika.net>

CHANGE by Wang, Alan 31-Jul-2008

SHEET 51 OF 61

To Finger Print Reader Board



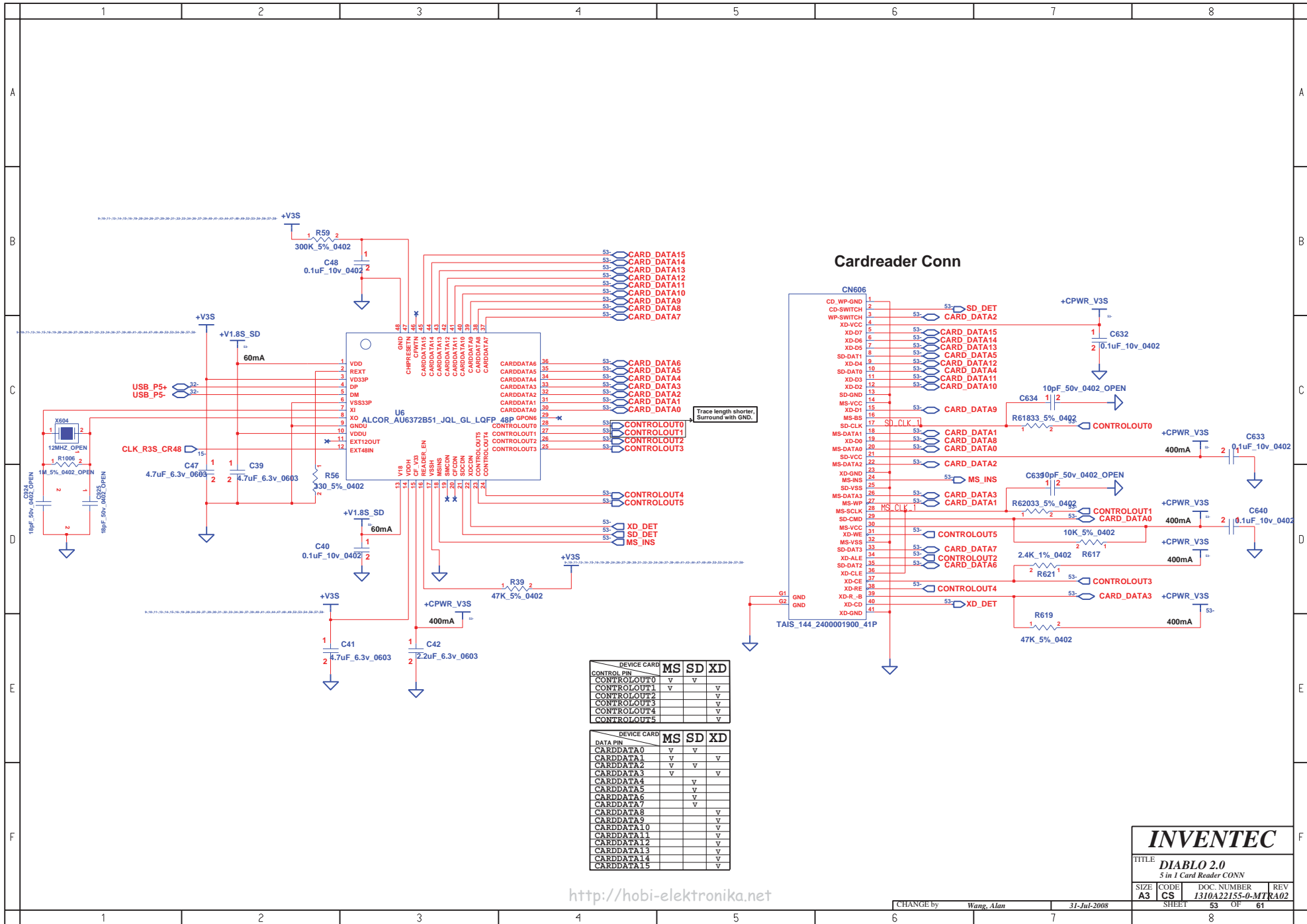
Webcam CONN & DIGITAL MIC

<http://hobi-elektronika.net>

INVENTEC

TITLE			
DIABLO 2.0			
WEB CAM & FP CONN			
SIZE	CODE	DOC. NUMBER	REV
A3	CS	1310A22155-0-MT	RA02
CHANGE by		SHEET	
Wang, Alan		52 OF 61	

11-Aug-2008



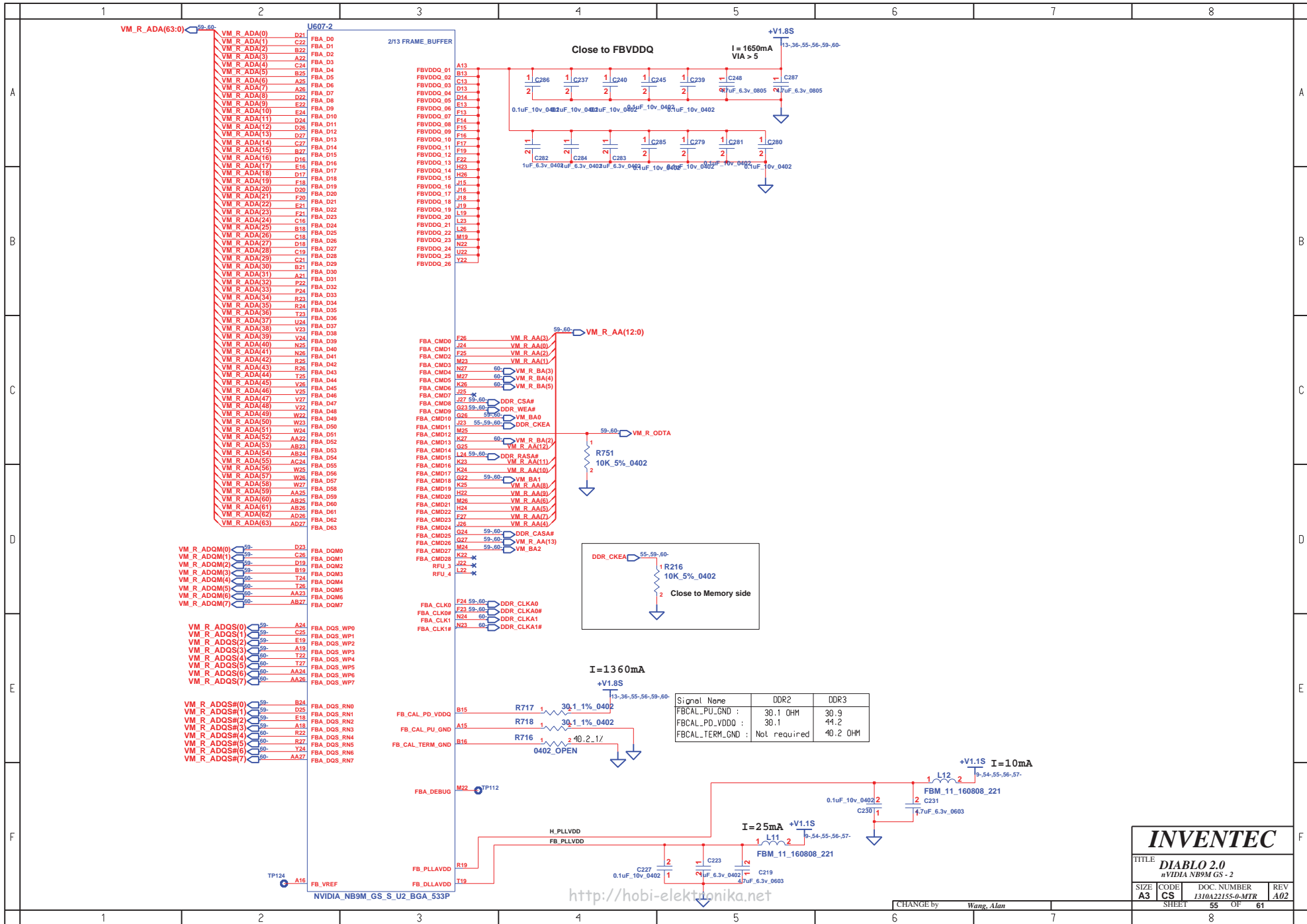
<http://hobi-elektronika.net>

INVENTEC

TITLE
DIABLO 2.0
 5 in 1 Card Reader Conn

SIZE A3	CODE CS	DOC. NUMBER 1310A22155-0-MTR	REV A02
-------------------	-------------------	--	-------------------

CHANGE by Wang, Alan 31-Jul-2008 SHEET 53 OF 61



Signal Name	DDR2	DDR3
FBCAL_PU_GND :	30.1 OHM	30.9
FBCAL_PD_VDDO :	30.1	44.2
FBCAL_TERM_GND :	Not required	40.2 OHM

INVENTEC

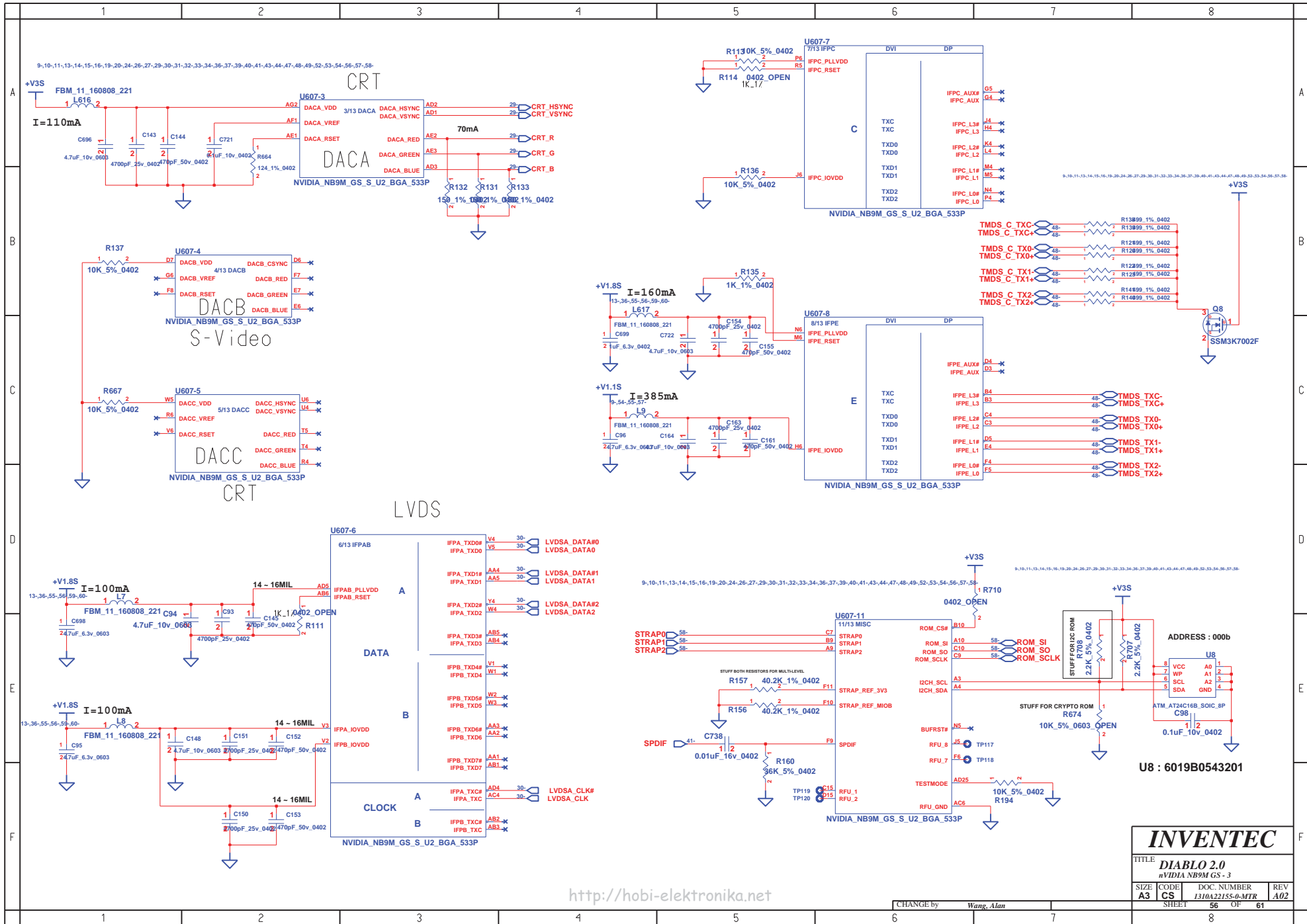
TITLE
DIABLO 2.0
 nVIDIA NB9M GS - 2

SIZE A3	CODE CS	DOC. NUMBER 1310a22155-0-MTR	REV A02
------------	------------	---------------------------------	------------

SHEET 55 OF 61

<http://hobi-elektronika.net>

CHANGE by Wang, Alan



<http://hobi-elektronika.net>

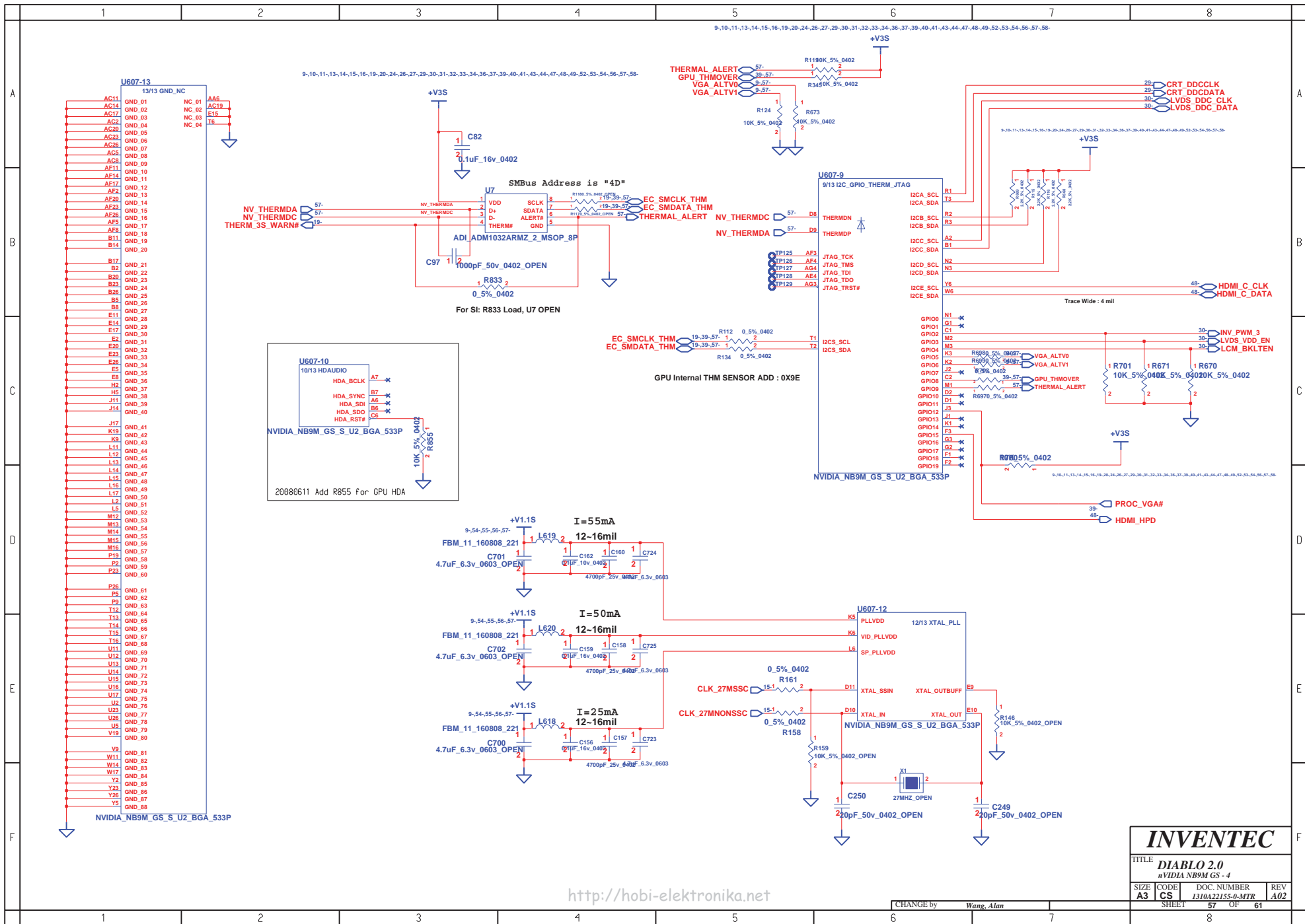
CHANGE by Wang, Alan

INVENTEC

TITLE
DIABLO 2.0
 nVIDIA NB9M GS - 3

SIZE A3	CODE CS	DOC. NUMBER 1310a22155-0-MTR	REV A02
------------	------------	---------------------------------	------------

SHEET 56 OF 61



INVENTEC			
TITLE DIABLO 2.0 nVIDIA NB9M GS - 4			
SIZE A3	CODE CS	DOC. NUMBER 1310a22155-0-MTR	REV A02
CHANGE by <i>Wang, Alan</i>		SHEET 57 OF 61	

<http://hobi-elektronika.net>

GB1 Family GPU Strap Options

Physical Strapping Pin	Power Rail	Logical Strapping Bit 3	Logical Strapping Pin 2	Logical Strapping Pin 1	Logical Strapping Pin 0
ROM_SO	+V3S	XCLK_277	TVMODE [2]	TVMODE [1]	TVMODE [0]
ROM_SCLK	+V3S	PCI_DEVID [4]	SUB_VENDOR	SLOT_CLK_CFG	PEX_PLL_EN_TERM100
ROM_SI	+V3S	RAMCFG [3]	RAMCFG [2]	RAMCFG [1]	RAMCFG [0]
STRAP2	+V3S	PCI_DEVID [3]	PCI_DEVID [2]	PCI_DEVID [1]	PCI_DEVID [0]
STRAP1	+V3S	3GIO_PADCFG [3]	3GIO_PADCFG [2]	3GIO_PADCFG [1]	3GIO_PADCFG [0]
STRAP0	+V3S	USER [3]	USER [2]	USER [1]	USER [0]

GB1 Family GPU Strap Options (DIABLO 2.0) with Samsung GDDR2 64M X 16

Physical Strapping Pin	Power Rail	Logical Strapping Bit 3	Logical Strapping Pin 2	Logical Strapping Pin 1	Logical Strapping Pin 0
ROM_SO	+V3S	1	1	1	0
ROM_SCLK	+V3S	0	0	1	0
ROM_SI	+V3S	0	0	0	1
STRAP2	+V3S	1	0	0	1
STRAP1	+V3S	0	0	0	1
STRAP0	+V3S	1	1	1	1

Logical Strap Bit Mapping

Resistor Values	Pull - up to VDD	Pull - down to GND
5K ohm	1000	0000
10K ohm	1001	0001
15K ohm	1010	0010
20K ohm	1011	0011
25K ohm	1100	0100
30K ohm	1101	0101
35K ohm	1110	0110
45K ohm	1111	0111

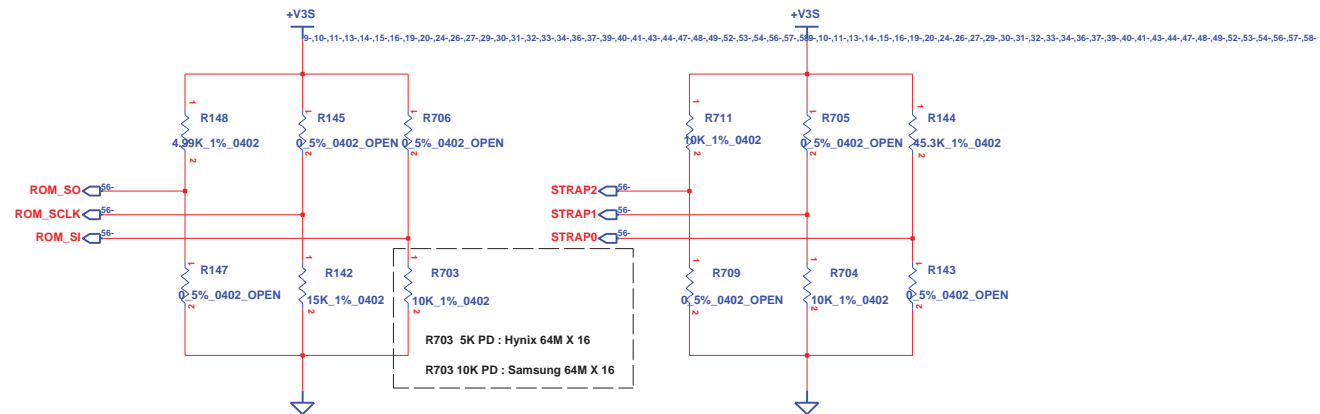
NB9M-GS RAMCFG[3:0]

32M X 16 GDDR2	RAMCFG [3]	RAMCFG [2]	RAMCFG [1]	RAMCFG [0]
Samsung	0	1	0	1
Qimonda	0	1	1	0
Hynix	0	1	1	1

64M X 16 GDDR2	RAMCFG [3]	RAMCFG [2]	RAMCFG [1]	RAMCFG [0]
Samsung	0	0	0	1
Qimonda	0	0	1	0
Hynix	0	0	0	0

GB1 Family GPU Strap Options (DIABLO 2.0) with Hynix GDDR2 64M X 16

Physical Strapping Pin	Power Rail	Logical Strapping Bit 3	Logical Strapping Pin 2	Logical Strapping Pin 1	Logical Strapping Pin 0
ROM_SO	+V3S	1	1	1	0
ROM_SCLK	+V3S	0	0	1	0
ROM_SI	+V3S	0	0	0	0
STRAP2	+V3S	1	0	0	1
STRAP1	+V3S	0	0	0	1
STRAP0	+V3S	1	1	1	1



<http://hobi-elektronika.net>

INVENTEC

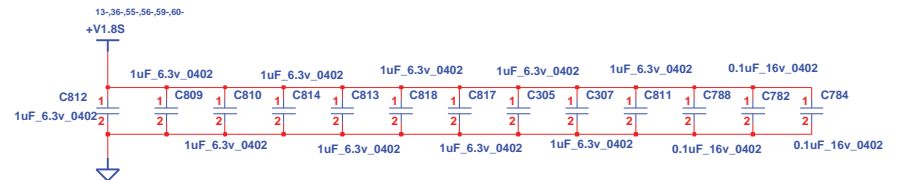
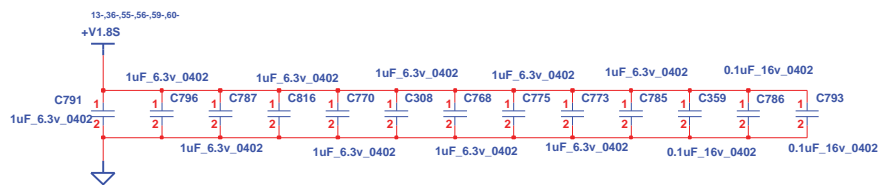
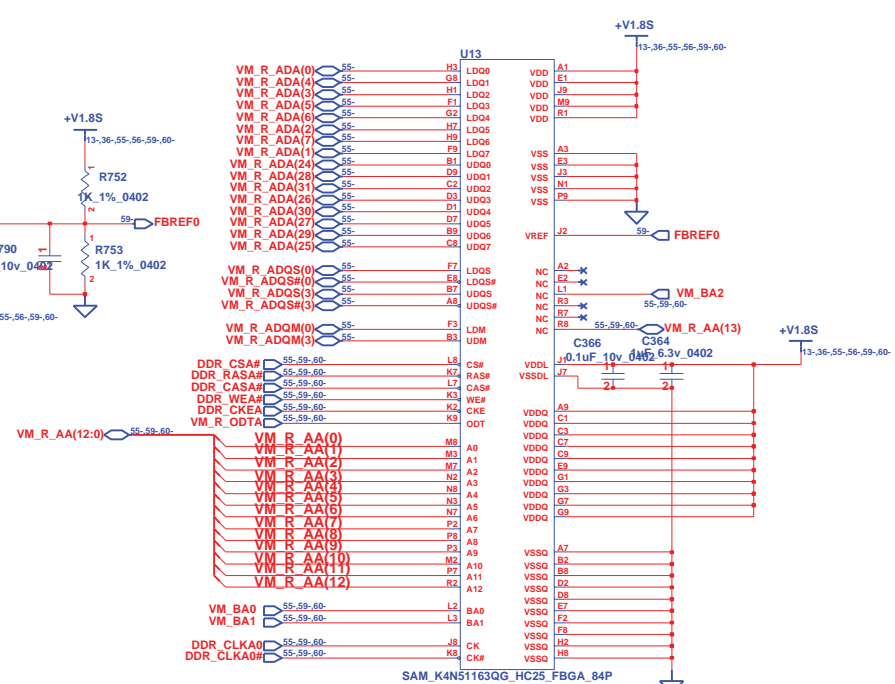
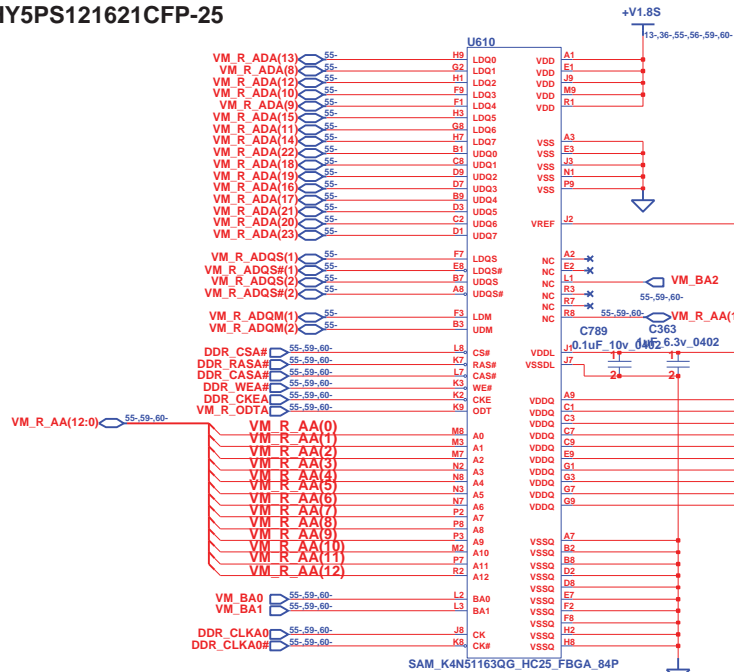
TITLE
DIABLO 2.0
nVIDIA NB9M GS - 5

SIZE A3	CODE CS	DOC. NUMBER 1310a221S5-0-MTR	REV A02
------------	------------	---------------------------------	------------

CHANGE by Wang, Alan

SHEET 58 OF 61

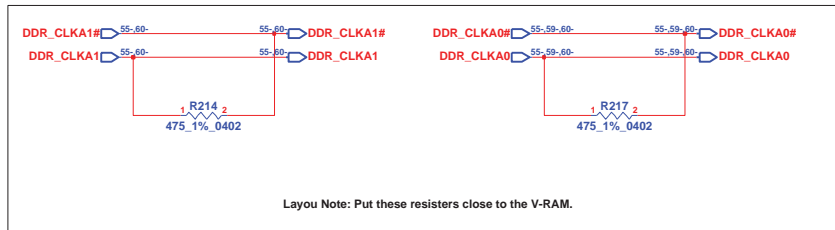
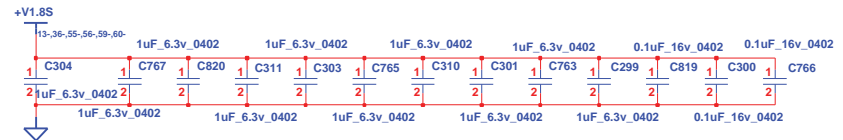
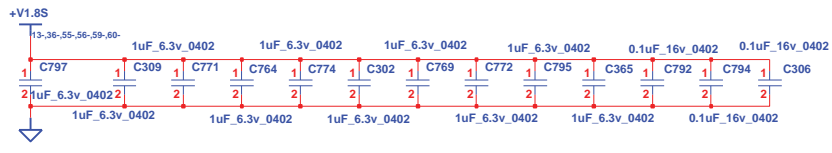
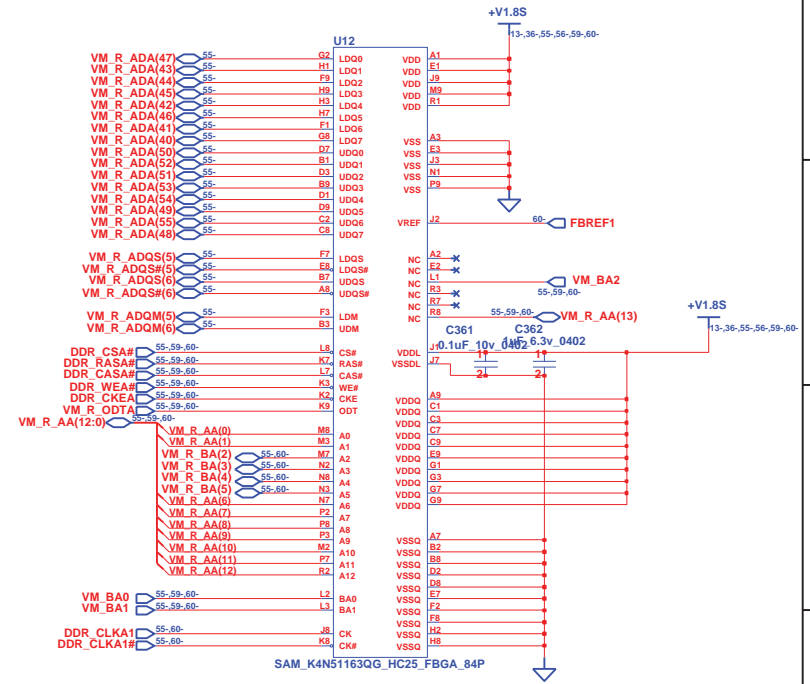
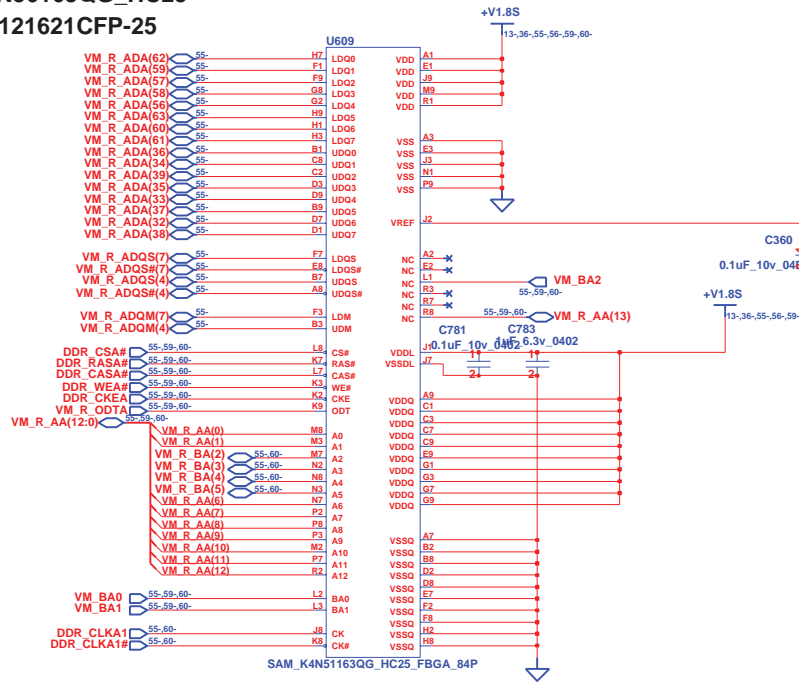
**DIABLO 2.0 USE MEMORY RVL
SANSUNG K4N56163QG_HC25
HYNIX HY5PS121621CFP-25**



INVENTEC

TITLE			
DIABLO 2.0			
VRAM (1/2)			
SIZE	CODE	DOC. NUMBER	REV
A3	CS	1310a22155-0-MTR	A02
SHEET		OF	
59		61	

**DIABLO 2.0 USE MEMORY RVL
SANSUNG K4N56163QG_HC25
HYNIX HY5PS121621CFP-25**



Layout Note: Put these resistors close to the V-RAM.

<http://hobi-elektronika.net>

INVENTEC

TITLE
DIABLO 2.0
VRAM (2/2)

SIZE A3	CODE CS	DOC NUMBER 1310a22155-0-MTR	REV A02
CHANGE by Wang, Alan		SHEET 60 OF 61	