

1	2	3	4	5	6	7	8
---	---	---	---	---	---	---	---

THIS DRAWING AND SPECIFICATIONS, HEREIN, ARE THE PROPERTY OF INVENTEC CORPORATION AND SHALL NOT BE REPRODUCED, COPIED, OR USED IN WHOLE OR IN PART AS THE BASIS FOR THE MANUFACTURE OR SALE OF ITEMS WITHOUT WRITTEN PERMISSION, INVENTEC CORPORATION 2009 ALL RIGHT RESERVED

HSF Property : **RoHS**

PIAGET-Discrete

P09C2.0D

MV Build

2009/08/12

DATE	CHANGENO.	REV

DRAWER	EE	DATE	POWER	DATE	INVENTEC			
DESIGN								
CHECK								
RESPONSIBLE								
TITLE					Piaget 2.0 Discrete			
SIZE =	3	VER :						
FILE NAME :	XXXX-XXXXXX-XX				SIZE	CODE	DOC. NUMBER	REV
P/N	XXXXXXXXXXXX	A3	CS	1310A22683-0-MTR	A02			
					SHEET	1	OF	60

1	2	3	4	5	6	7	8
---	---	---	---	---	---	---	---

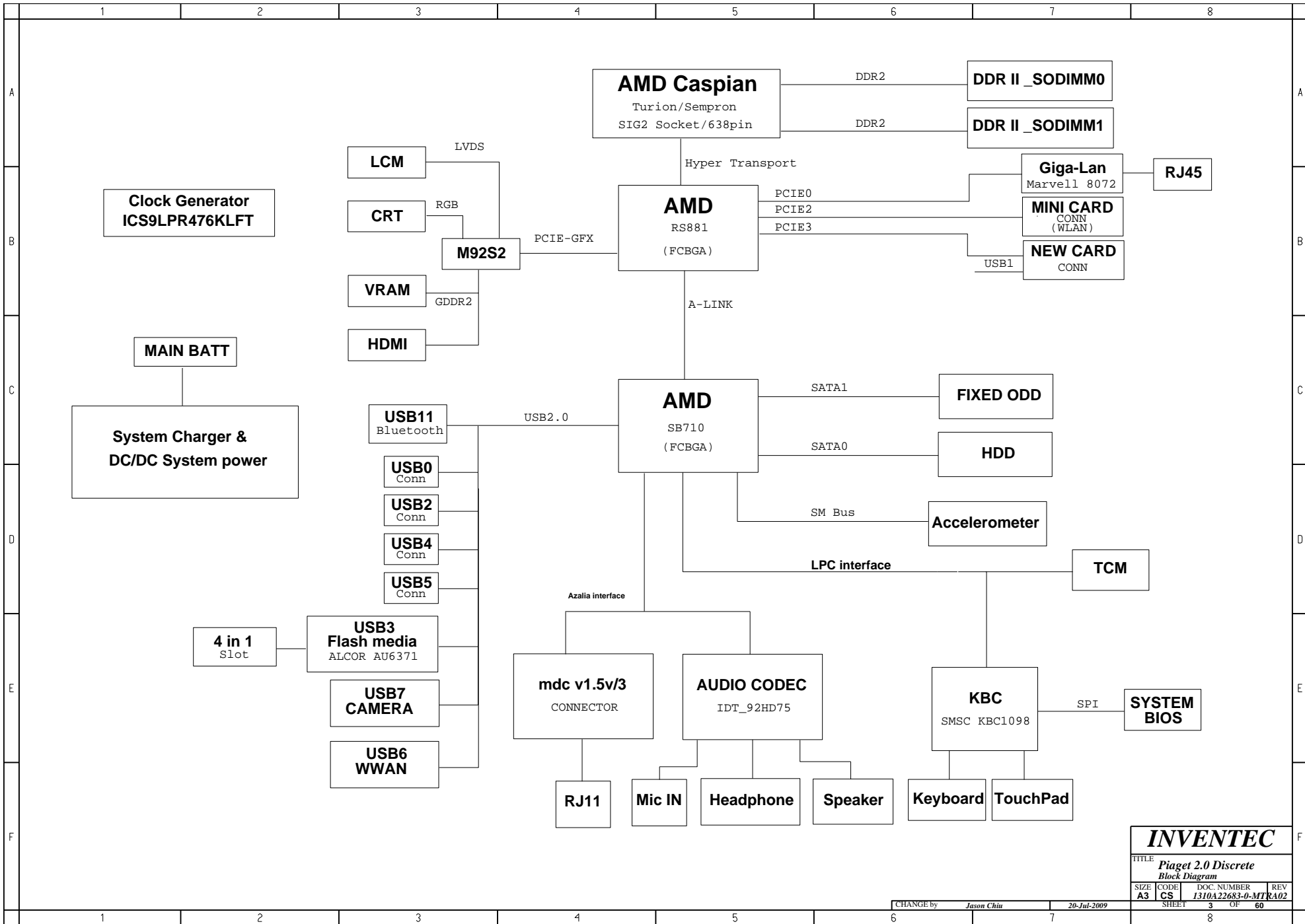
TABLE OF CONTENTS

<p>PAGE</p> <p>5- DC& BATTERY CHARGER</p> <p>6- SELECT & BATTERY CONN</p> <p>7- +V5A,+V3A & +V2.5S</p> <p>8- OCP</p> <p>9- +VCC_NB & +V1.2A</p> <p>10- +VCC_CORE</p> <p>11- POWER</p> <p>12- DDR2 POWER</p> <p>13- POWER(SLEEP)</p> <p>14- POWER(SEQUENCE)</p>	<p>PAGE</p> <p>15- CLOCK_GENERATOR</p> <p>16- CPU-1</p> <p>17- CPU-2</p> <p>18- CPU-3</p> <p>19- CPU-4</p> <p>20- DDR2-DIMMO</p> <p>21- DDR2-DIMM1</p> <p>22- DDR2-DAMPING</p> <p>23- THERMAL&FAN CONTROLLER</p> <p>24- RS780-1</p> <p>25- RS780-2</p> <p>26- RS780-3</p> <p>27- RS780-4</p> <p>28- GPU-AMD-M92S2-1</p> <p>29- GPU-AMD-M92S2-2</p> <p>29- GPU-AMD-M92S2-3</p> <p>30- GPU-AMD-M92S2-4</p> <p>32- Video RAM(GDDR2)-1</p> <p>33- Video RAM(GDDR2)-2</p> <p>34- CRT</p> <p>35- LCD CONN & WEBCAM CONN</p> <p>36- SB700-1</p> <p>37- SB700-2</p> <p>38- SB700-3</p> <p>39- SB700-4</p>	<p>PAGE</p> <p>40- KBC</p> <p>41- KB & TP CONN</p> <p>42- SPI & ACCELEROMETER</p> <p>43- HDD & ODD CONN</p> <p>44- USB CONN</p> <p>45- TCM CONN</p> <p>46- FLASH MEDIA CARD</p> <p>47- AZALIA CODEC</p> <p>48- Earphone & MIC JACK</p> <p>49- AUDIO AMP & HP JACK</p> <p>50- MDC CNTR</p> <p>51- Giga-LAN- CONTROLLER</p> <p>52- NIC-10/100/1000-RJ45 CONN</p> <p>53- MINICARD & BT CONN</p> <p>54- NEW CARD & SIM CONN</p> <p>55- W/B & SW/B & LED/B CONN</p> <p>56- SCREW</p> <p>57- Power Plan CAP</p> <p>58- HDMI</p> <p>59- 15" ODD Extend Board</p> <p>60- Switch Board & LID Switch & QL</p>
---	--	--

INVENTEC

<small>TITLE</small>			
<i>Piaget 2.0 Discrete Table Of Content</i>			
<small>SIZE</small>	<small>CODE</small>	<small>DOC. NUMBER</small>	<small>REV</small>
A3	CS	1310A22683-0-MTR	A02
<small>SHEET</small>		<small>OF</small>	
2		60	

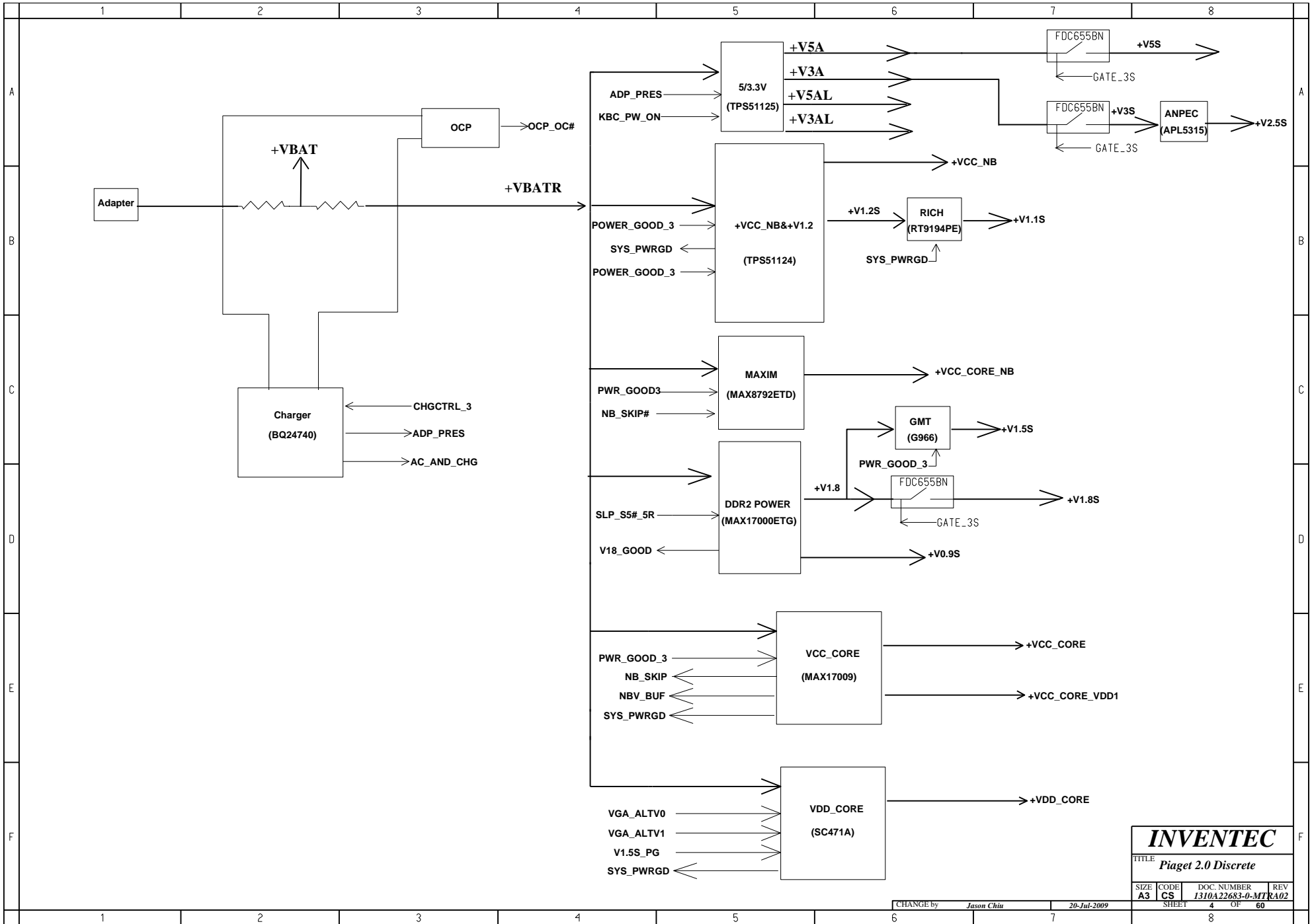
CHANGE by Jason Chiu 20-Jul-2009



INVENTEC

TITLE
Piaget 2.0 Discrete
Block Diagram

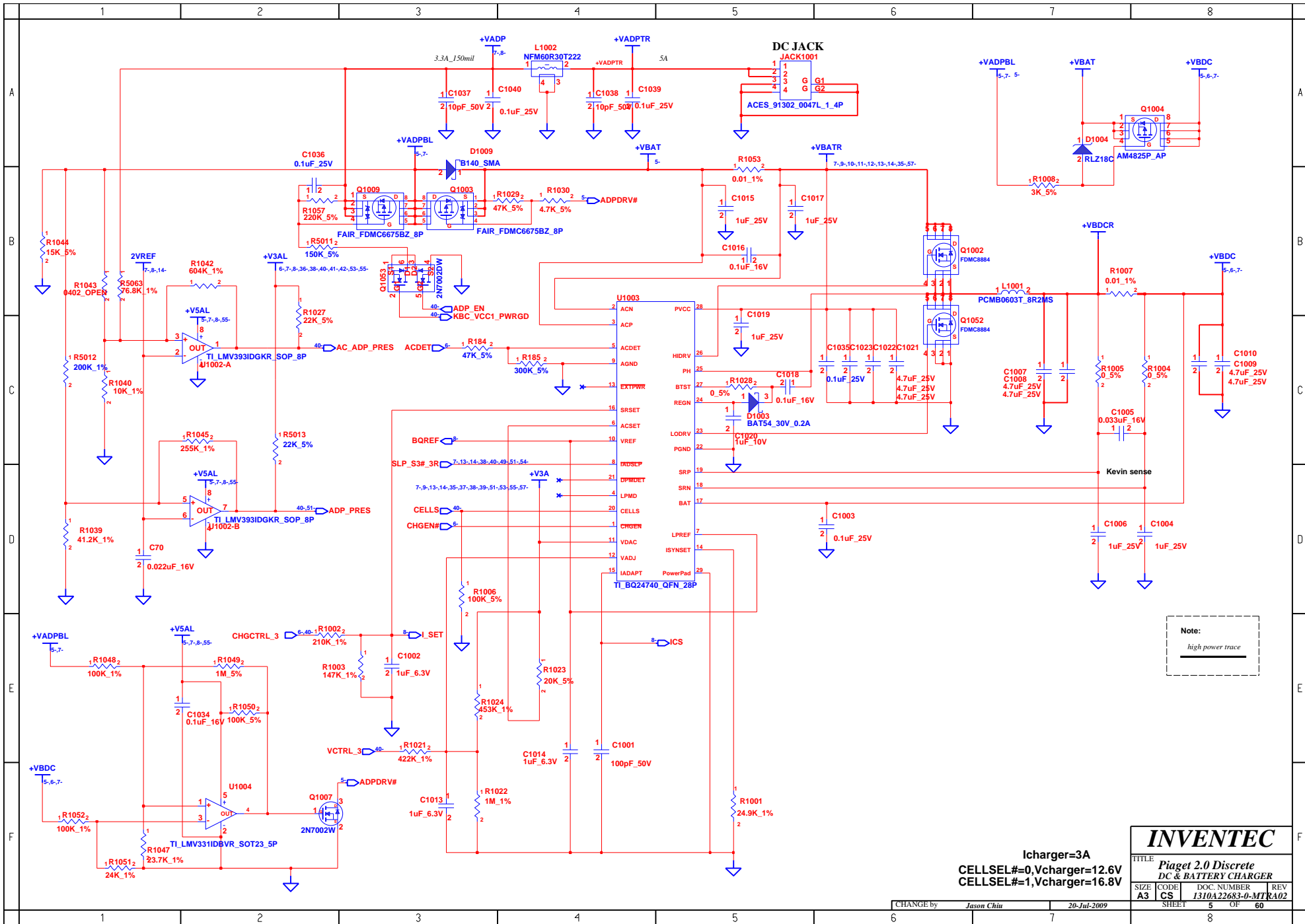
SIZE A3	CODE CS	DOC. NUMBER 1310A22683-0-MTR	REV A02
-------------------	-------------------	--	-------------------



INVENTEC

TITLE
Piaget 2.0 Discrete

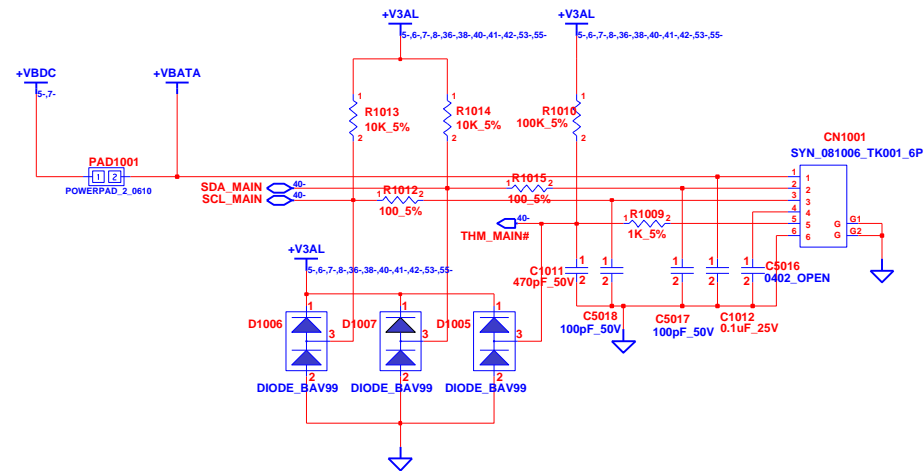
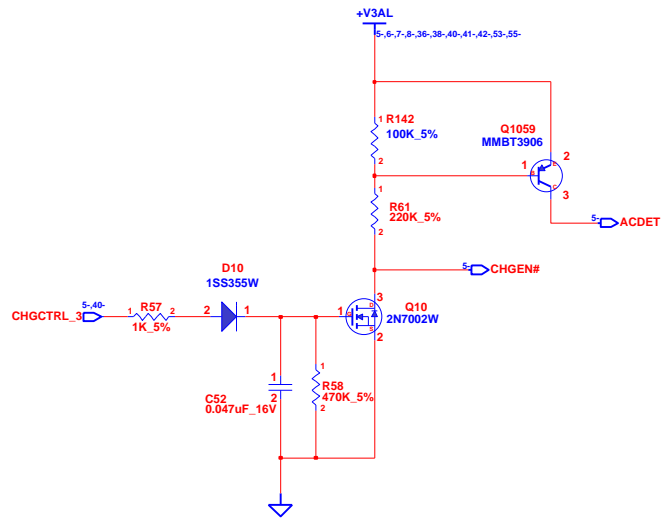
SIZE A3	CODE CS	DOC. NUMBER <i>1310A22683-0-MTR</i>	REV A02
-------------------	-------------------	--	-------------------



Note:
high power trace

Icharger=3A
CELLSEL#=0,Vcharger=12.6V
CELLSEL#=1,Vcharger=16.8V

INVENTEC			
TITLE: Piaget 2.0 Discrete DC & BATTERY CHARGER			
SIZE: A3	CODE: CS	DOC NUMBER: I310A22633-0-MTR	REV: A02
CHANGE by: Jason Chiu		DATE: 20-Jul-2009	
SHEET: 5		OF: 60	



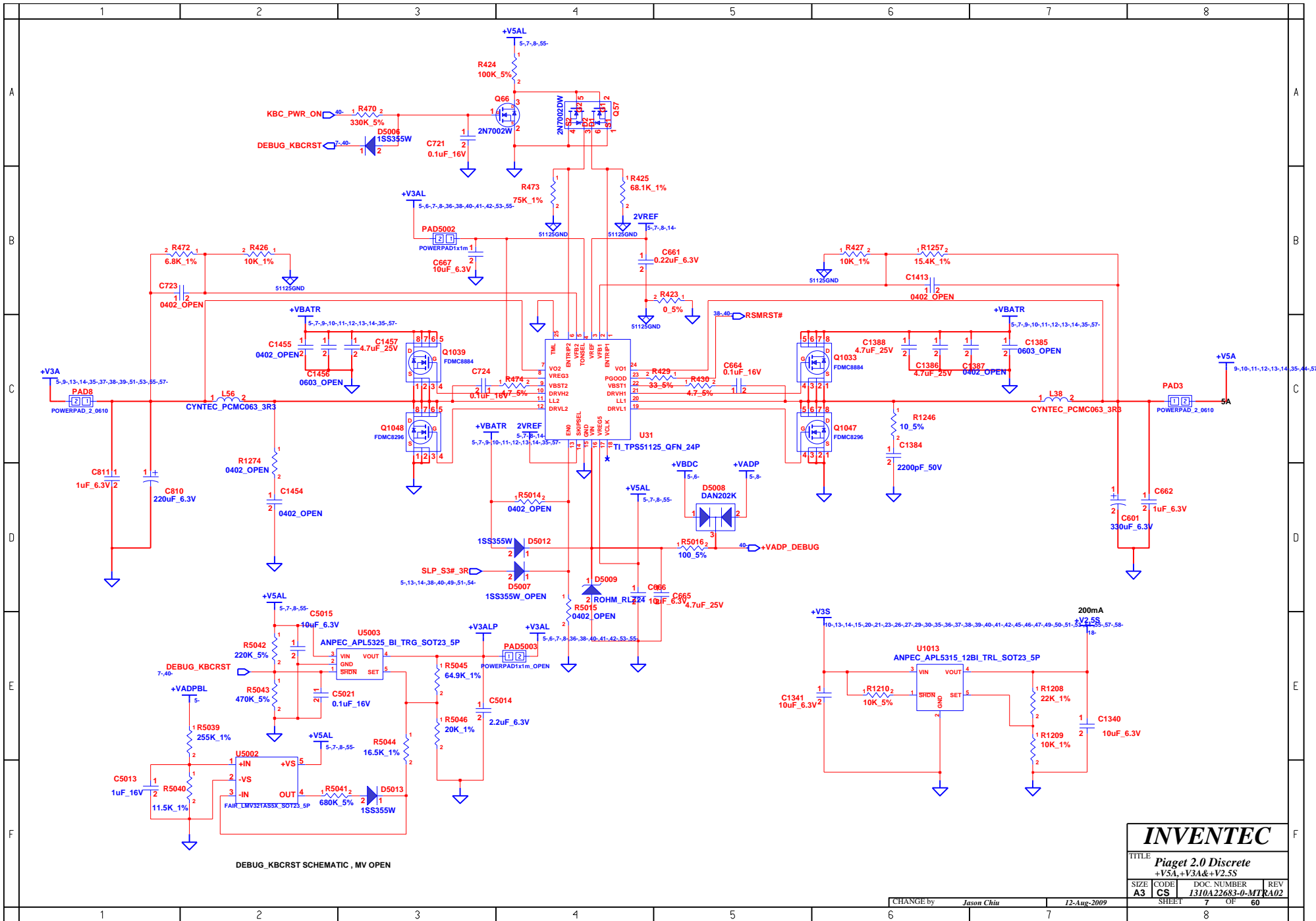
INVENTEC

TITLE
**Piaget 2.0 Discrete
SELECT & BATTERY CONN**

SIZE A3	CODE CS	DOC. NUMBER I310A22633-0-MT	REV RA02
-------------------	-------------------	---------------------------------------	--------------------

CHANGE by *Jason Chiu* 20-Jul-2009

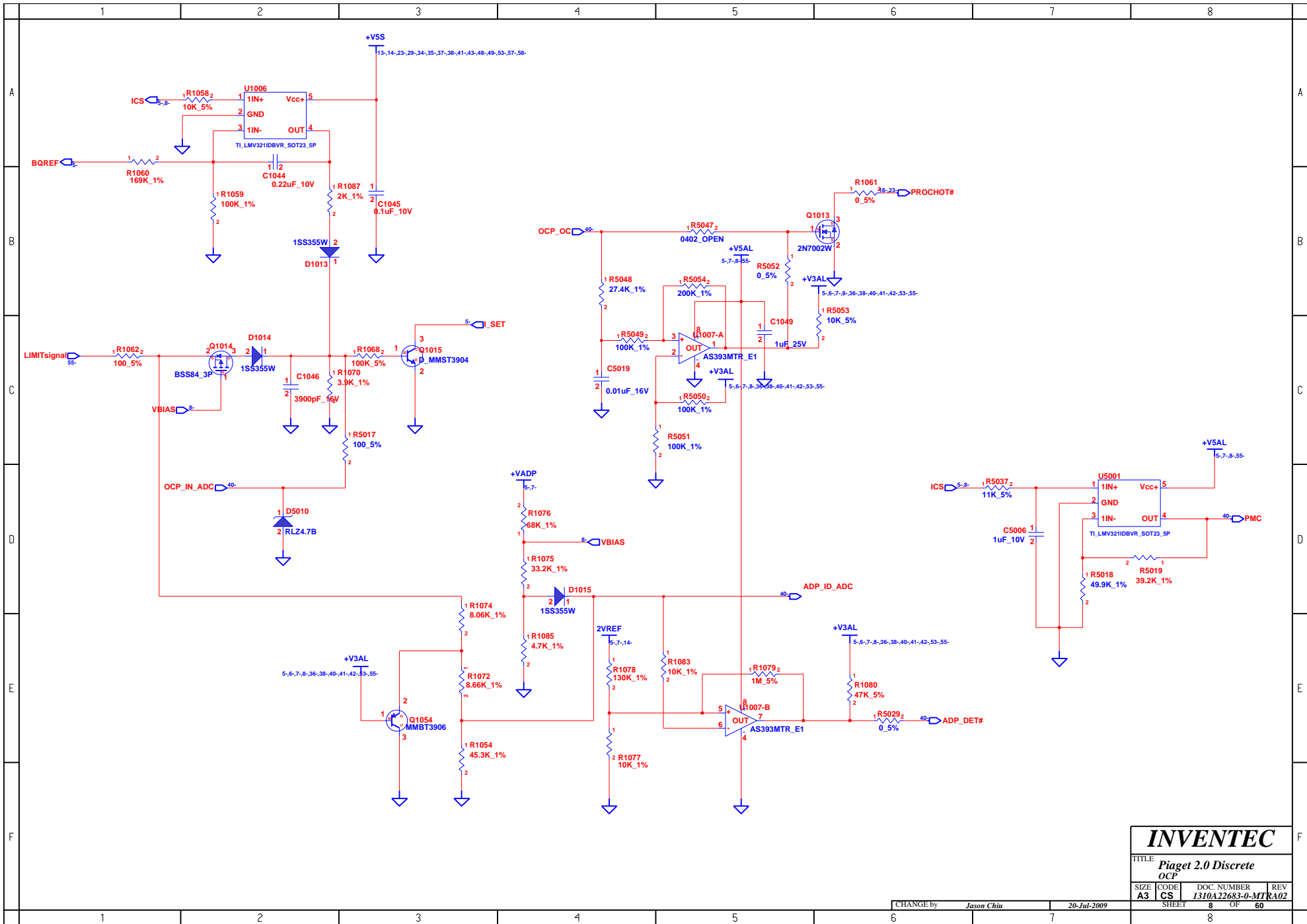
SHEET 6 OF 60



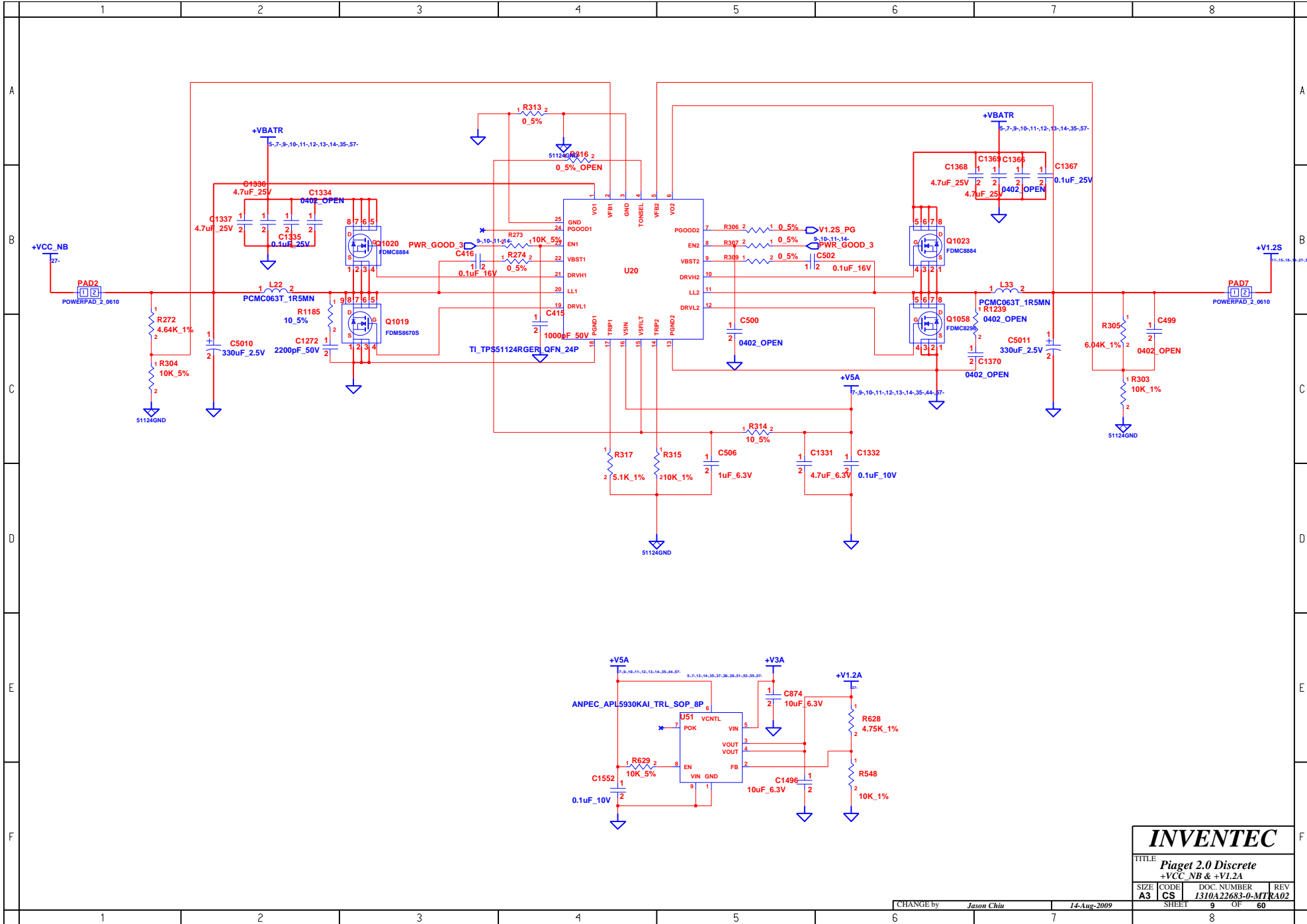
INVENTEC

TITLE: **Piaget 2.0 Discrete**
 +V5A,+V3A&+V2.5S

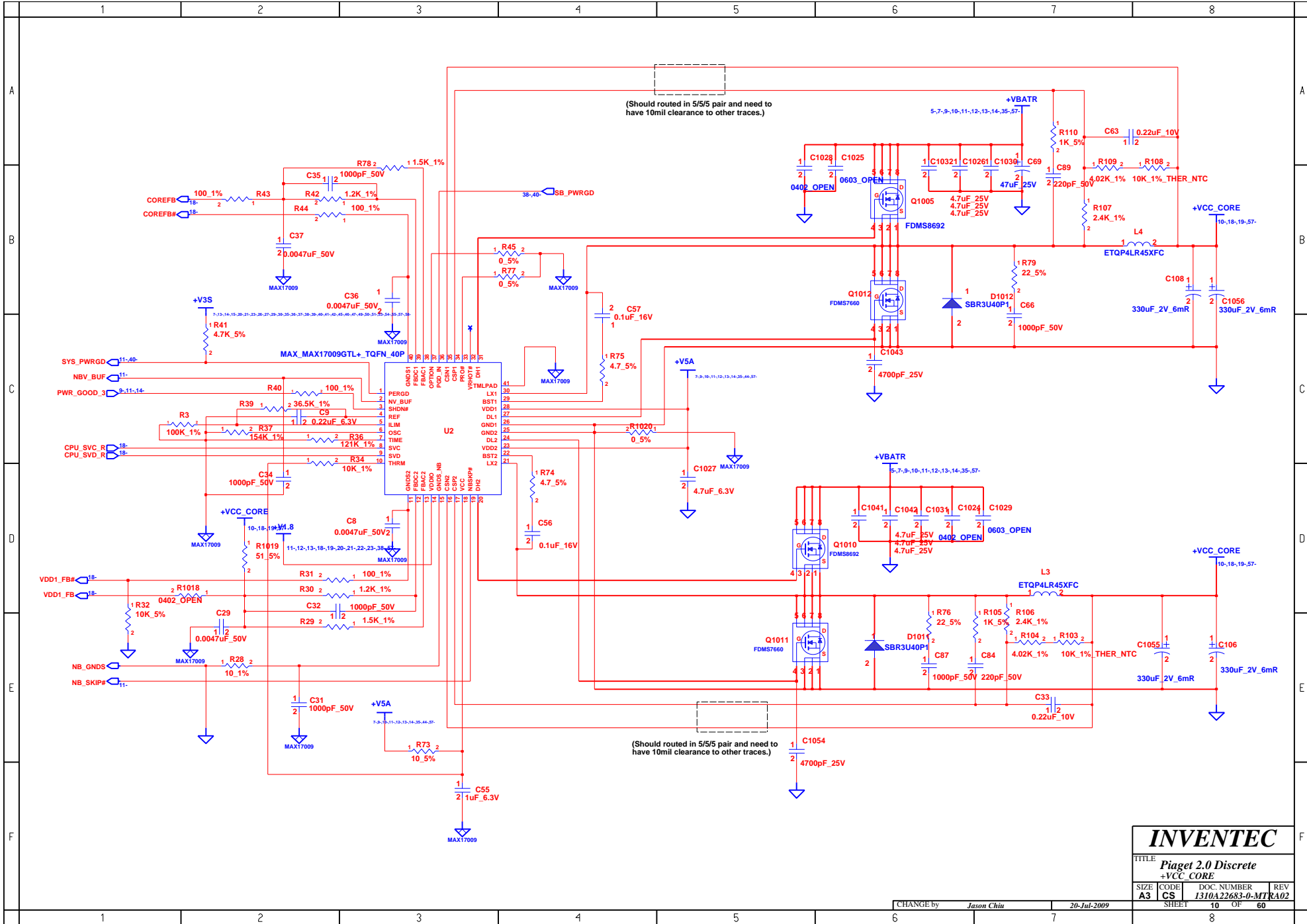
SIZE	CODE	DOC. NUMBER	REV
A3	CS	1310A2263-0-MT	RA02
CHANGE by Jason Chiu			12-Aug-2009
SHEET 7		OF 80	



INVENTEC			
TITLE			
Piaget 2.0 Discrete			
OCP			
SIZE	CODE	DOC. NUMBER	REV
A3	CS	1310A22633-0-MT	A02
CHANGE by		SHEET	OF
Jason Chiu		8	60
20-Jul-2009			



INVENTEC			
TITLE Piaget 2.0 Discrete			
+VCC_NB & +V1.2A			
SIZE A3	CODE CS	DOC NUMBER I310A2263-0-MT	REV A02
CHANGE by <i>Jason Chiu</i>		14-Aug-2009	
SHEET 9		OF 80	



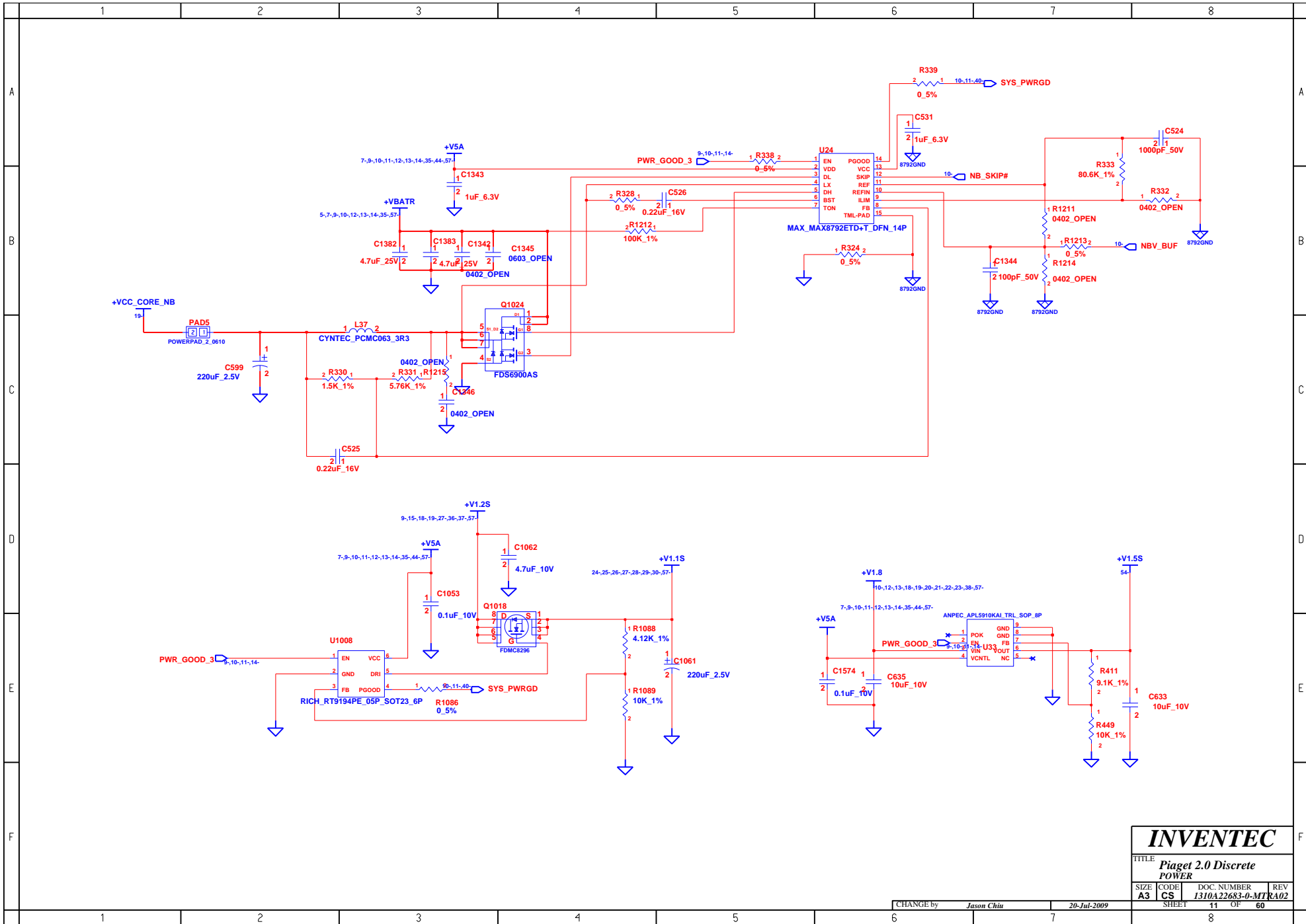
INVENTEC

TITLE
Piaget 2.0 Discrete
+VCC_CORE

SIZE	CODE	DOC. NUMBER	REV
A3	CS	I310A2263-0-MT	RA02

CHANGE by *Jason Chiu* 20-Jul-2009

SHEET	OF
10	60



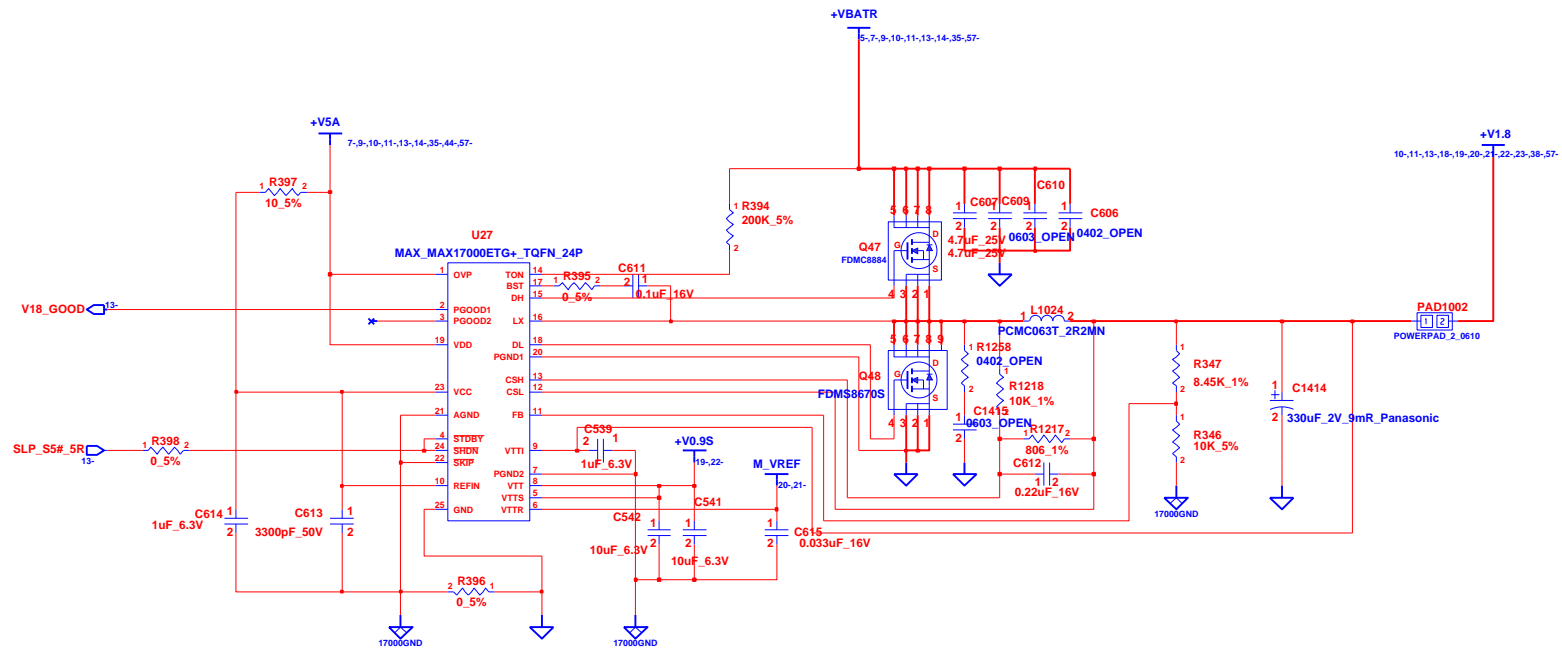
INVENTEC

TITLE
**Piaget 2.0 Discrete
 POWER**

SIZE A3	CODE CS	DOC. NUMBER I310A2263-0-MT	REV R02
-------------------	-------------------	--------------------------------------	-------------------

CHANGE by *Jason Chiu* 20-Jul-2009

SHEET 11 OF 60



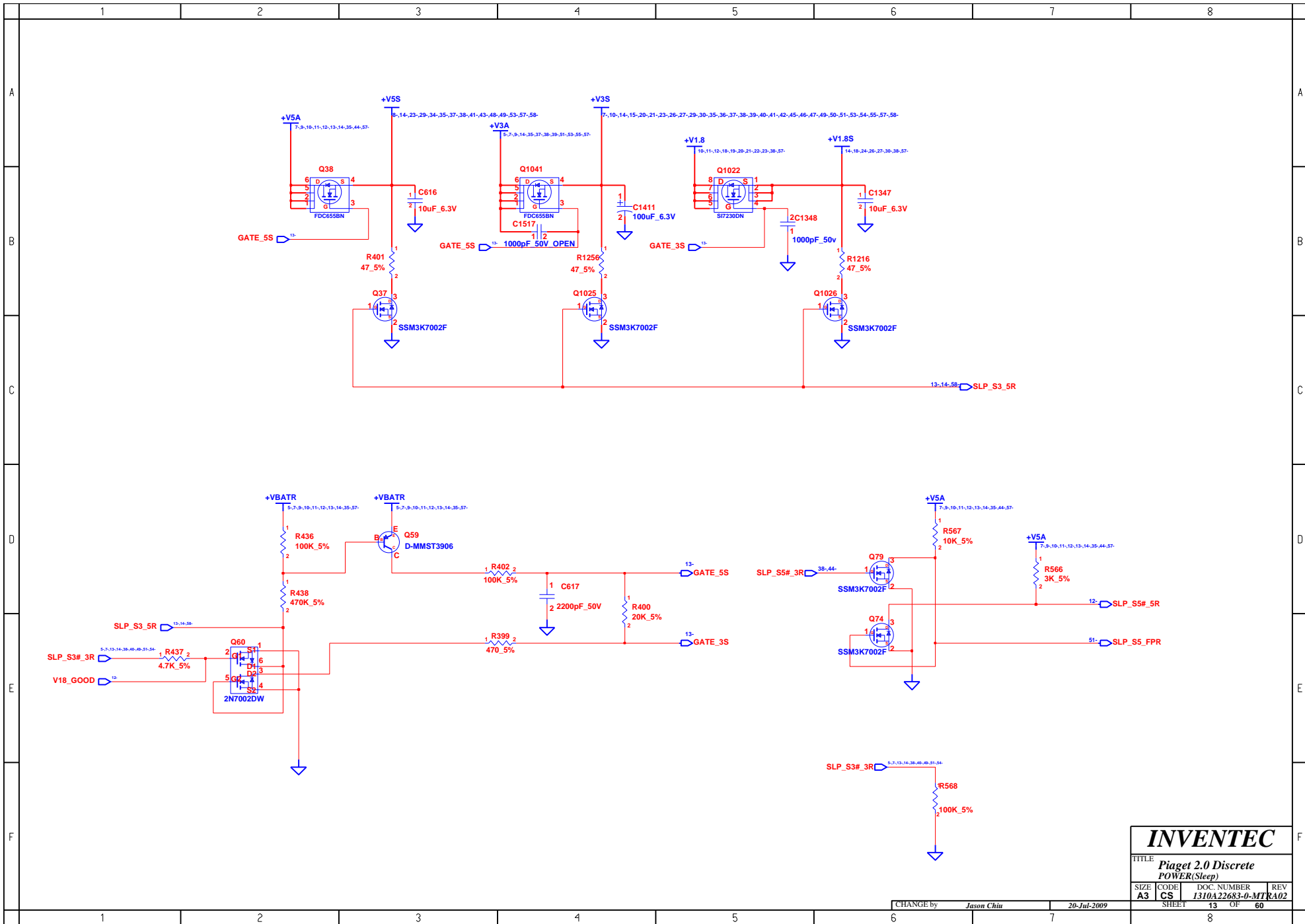
NOTE: DDR2 REGULATOR

INVENTEC

TITLE		
Piaget 2.0 Discrete DDR2 POWER		
SIZE	CODE	DOC. NUMBER
A3	CS	1310A22683-0-MT
SHEET		REV
12		KA02

CHANGE by Jason Chiu 20-Jul-2009

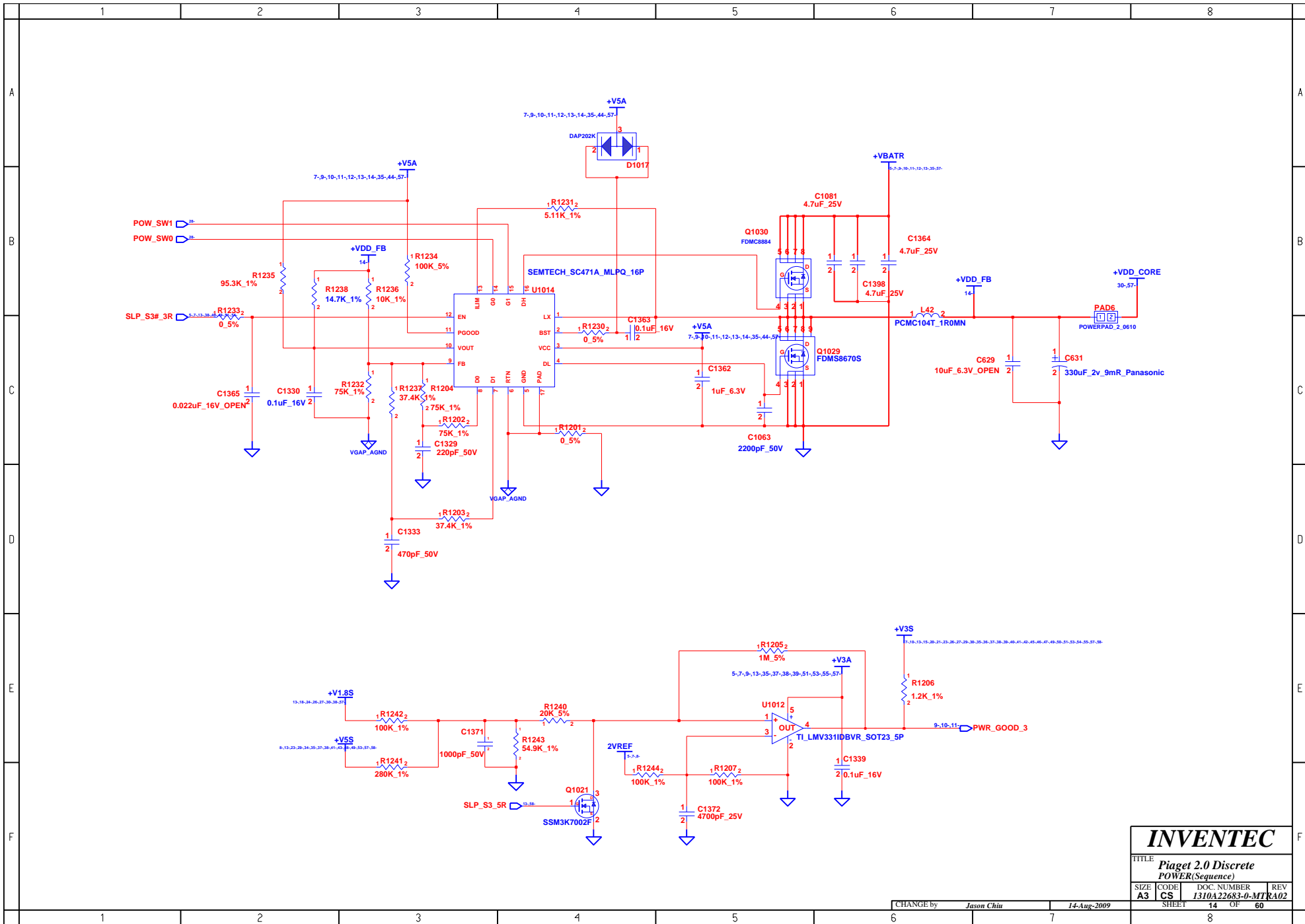
12 OF 60



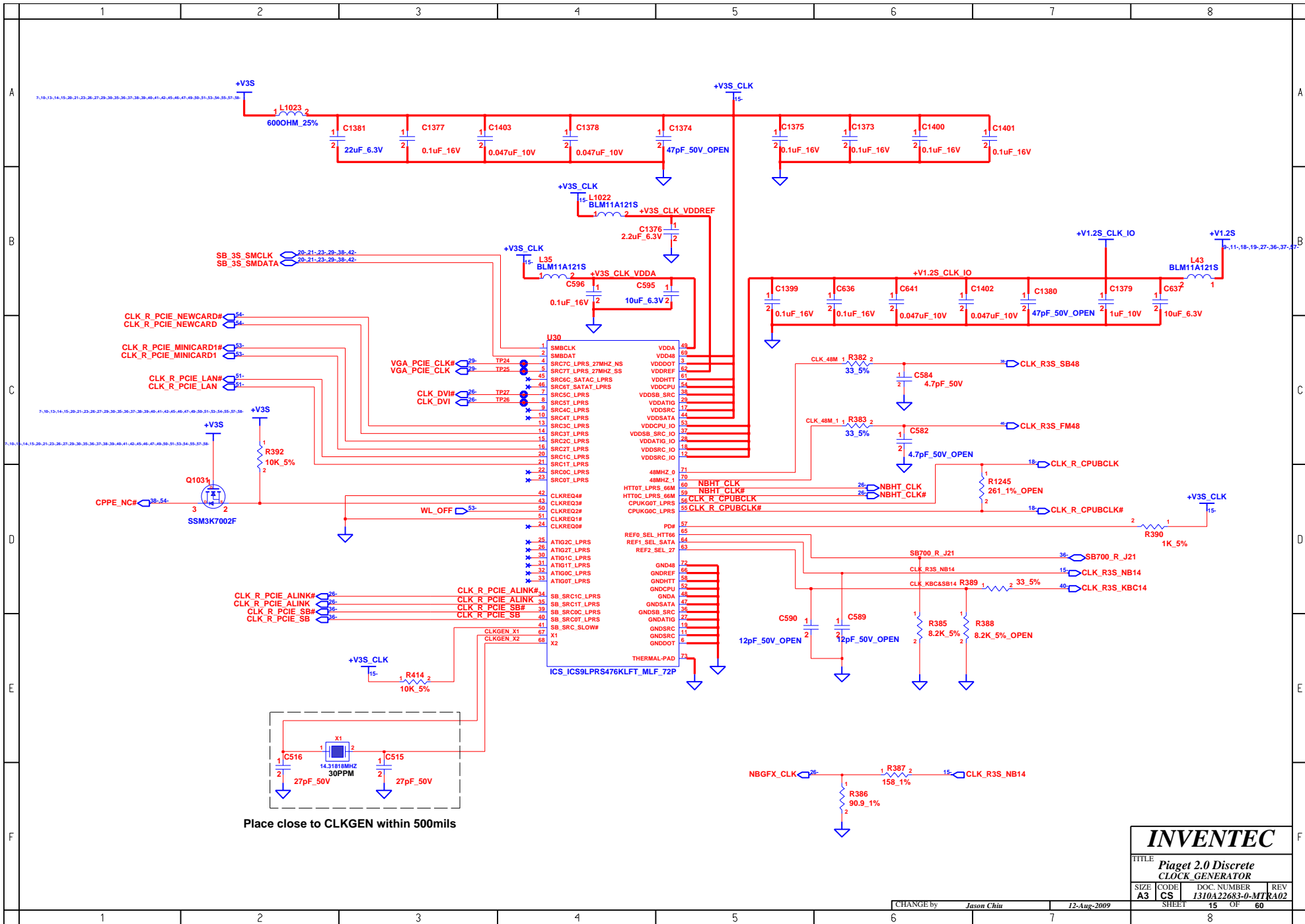
INVENTEC

TITLE			
Piaget 2.0 Discrete POWER(Sleep)			
SIZE	CODE	DOC. NUMBER	REV
A3	CS	I310A22683-0-MT	R402

CHANGE by	Jason Chiu	20-Jul-2009	SHEET	13	OF	60
-----------	------------	-------------	-------	----	----	----

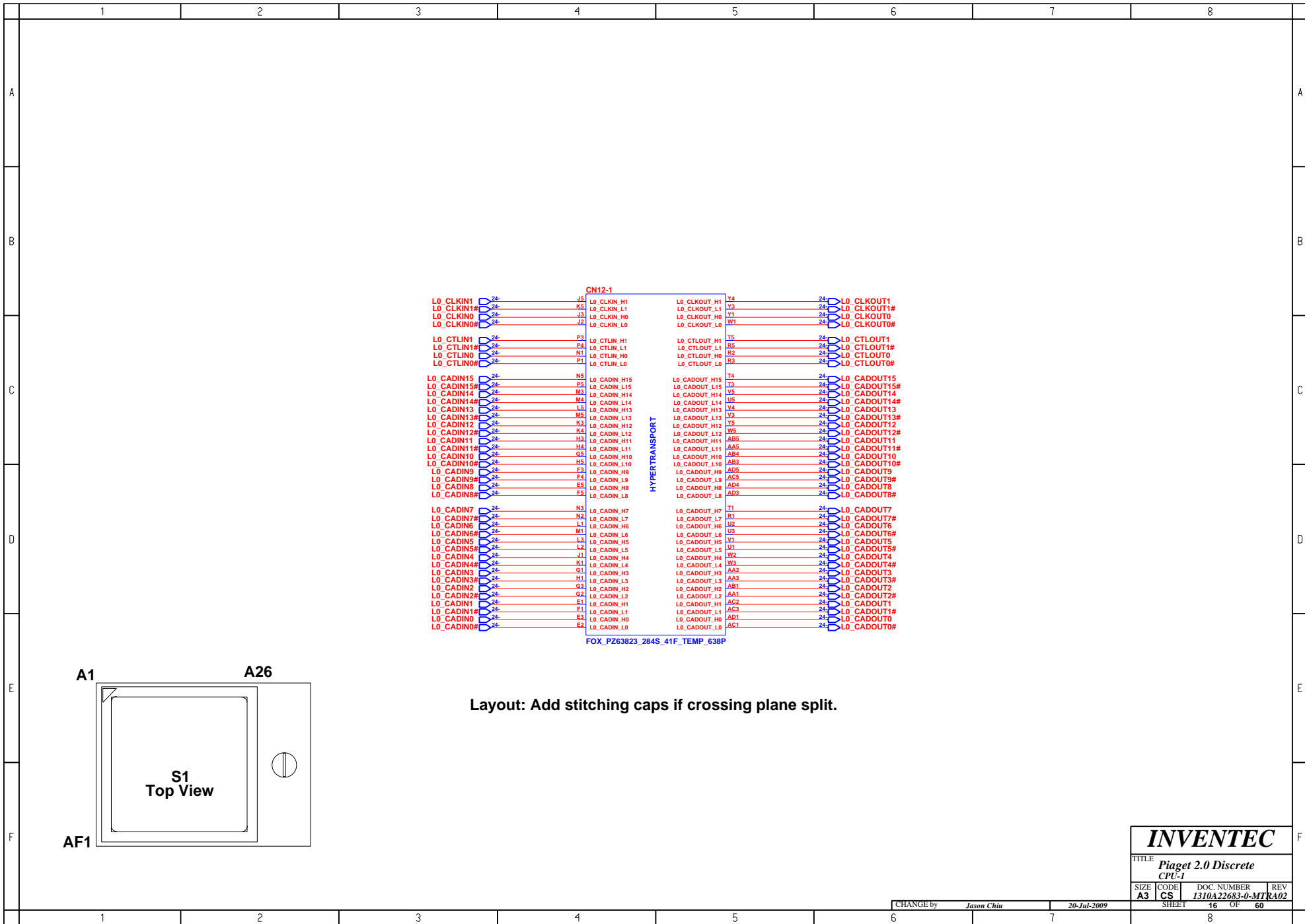


INVENTEC			
TITLE Piaget 2.0 Discrete POWER(Sequence)			
SIZE A3	CODE CS	DOC NUMBER I310A22683-0-MT	REV KA02
CHANGE by <i>Jason Chiu</i>		14-Aug-2009	
SHEET 14		OF 60	

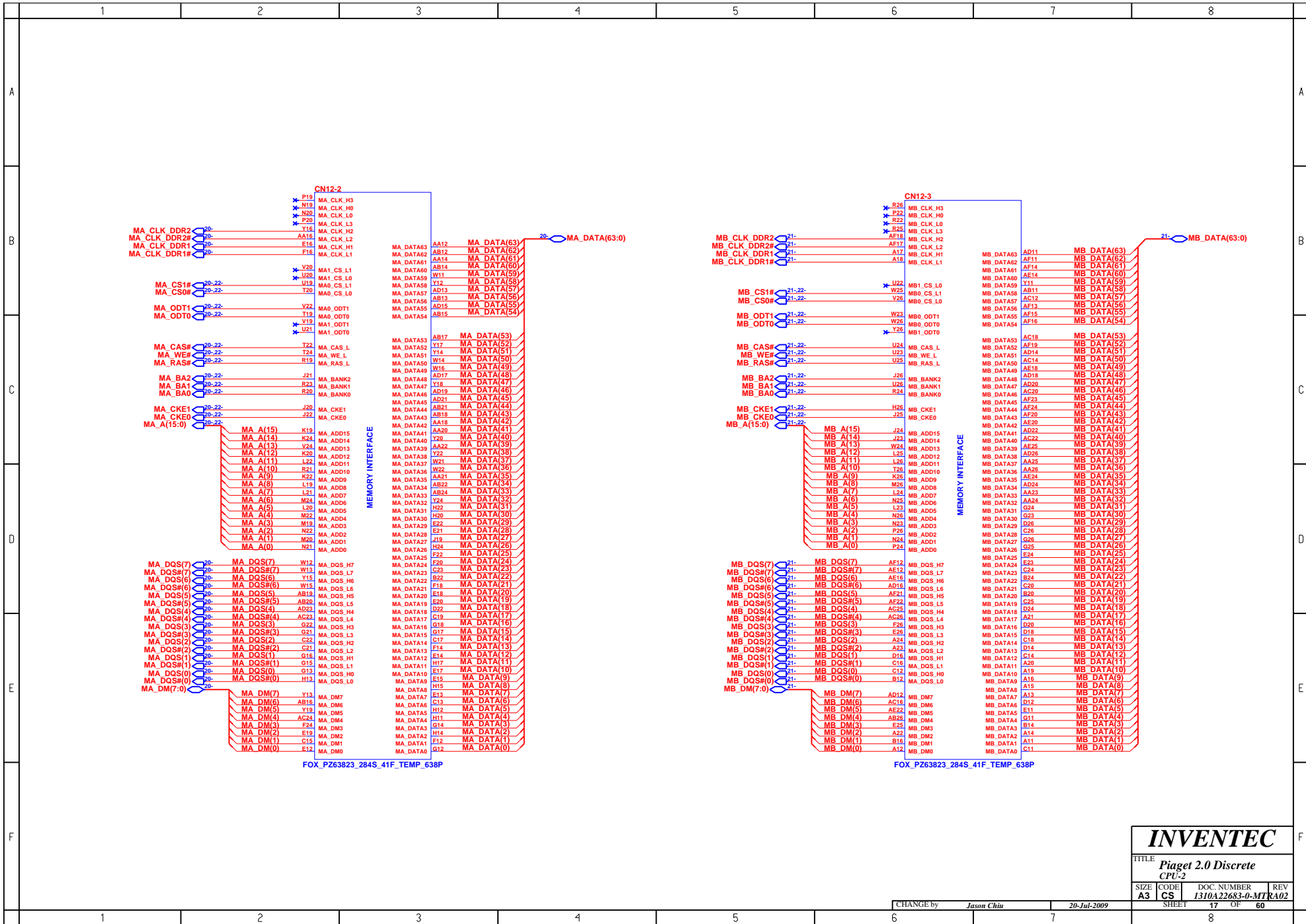


Place close to CLKGEN within 500mils

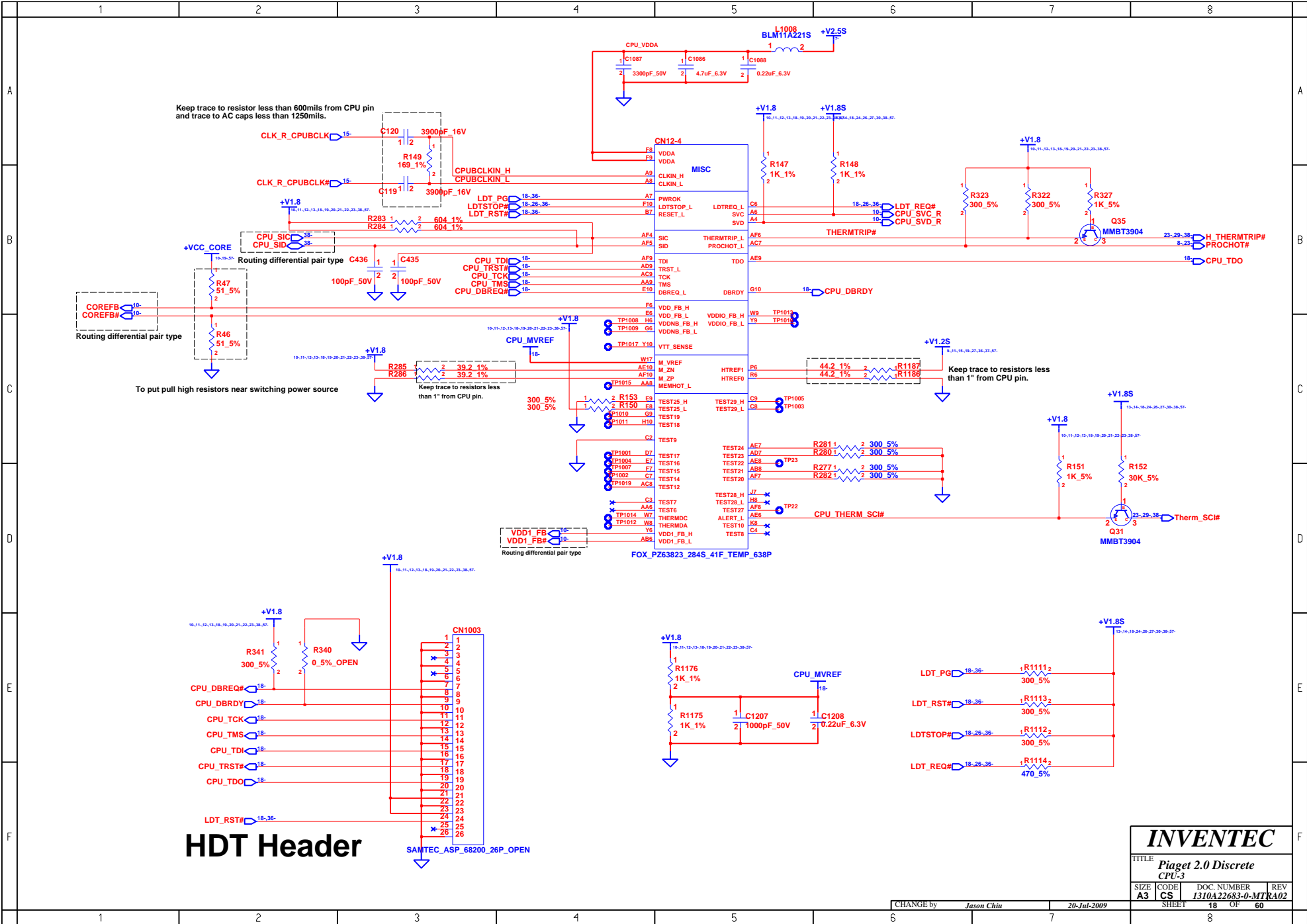
INVENTEC			
TITLE Piaget 2.0 Discrete CLOCK GENERATOR			
SIZE A3	CODE CS	DOC NUMBER I310A2263-0-MT	REV A02
CHANGE by <i>Jason Chiu</i>		12-Aug-2009	
SHEET 15		OF 60	



INVENTEC			
TITLE Piaget 2.0 Discrete CPU-1			
SIZE A3	CODE CS	DOC. NUMBER I310A22683-0-MT	REV KA02
CHANGE by <i>Jason Chiu</i>		20-Jul-2009	
SHEET		OF	
16		60	



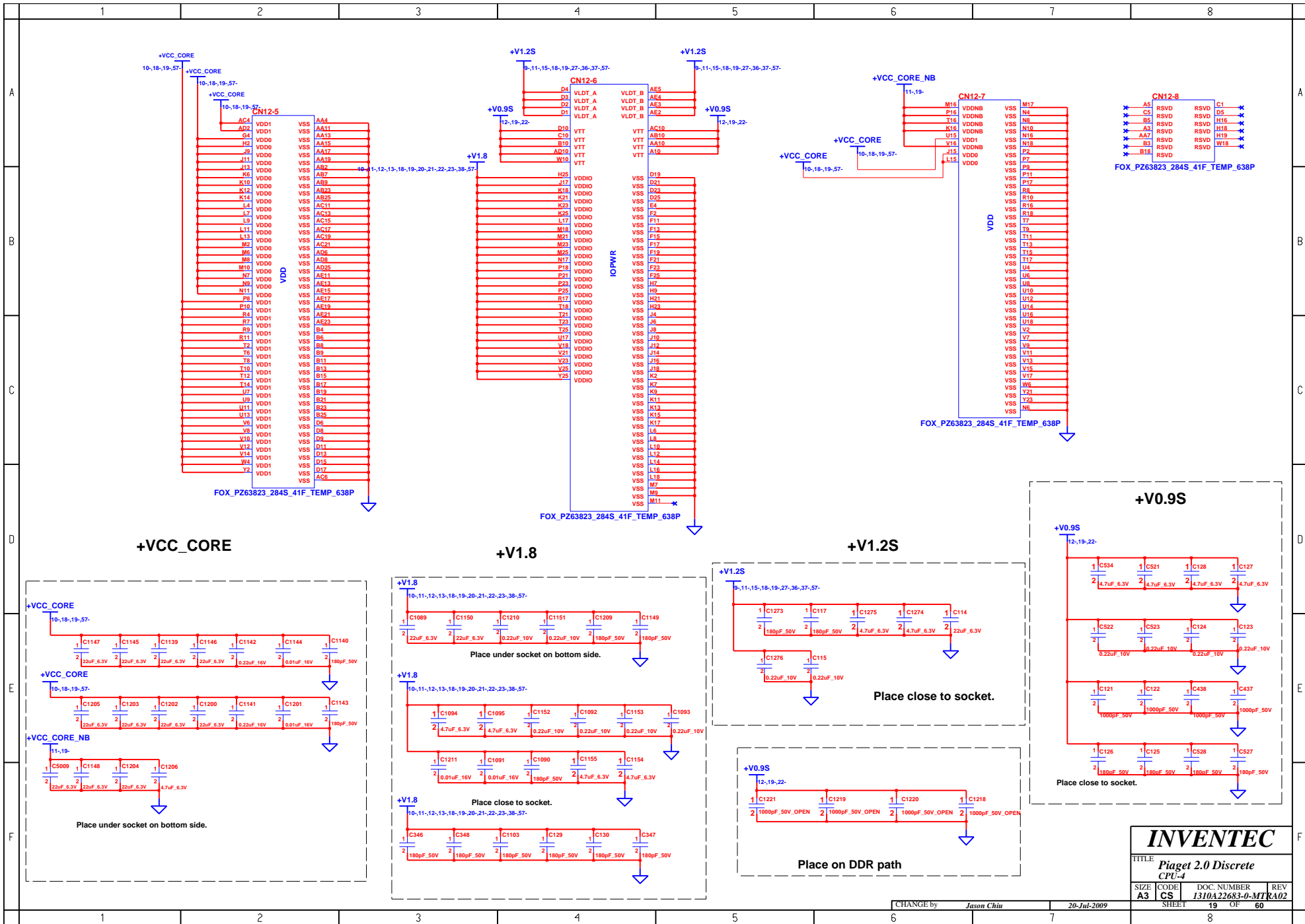
INVENTEC			
TITLE Piaget 2.0 Discrete CPU-2			
SIZE A3	CODE CS	DOC. NUMBER I310A2263-0-MT	REV A02
CHANGE by <i>Jason Chiu</i>		20-Jul-2009	
SHEET 17		OF 60	



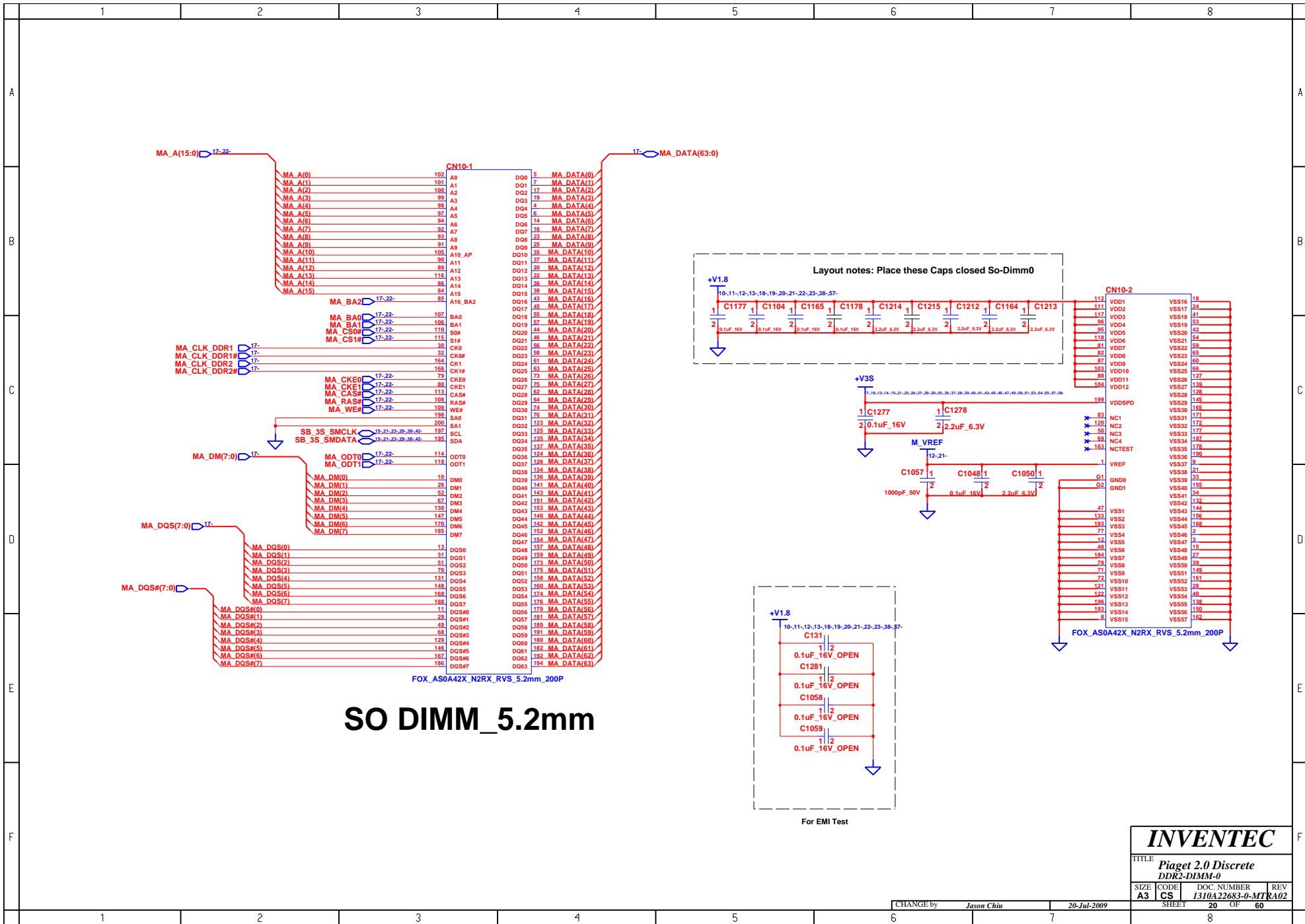
HDT Header

SAMTEC ASP_68200_26P_OPEN

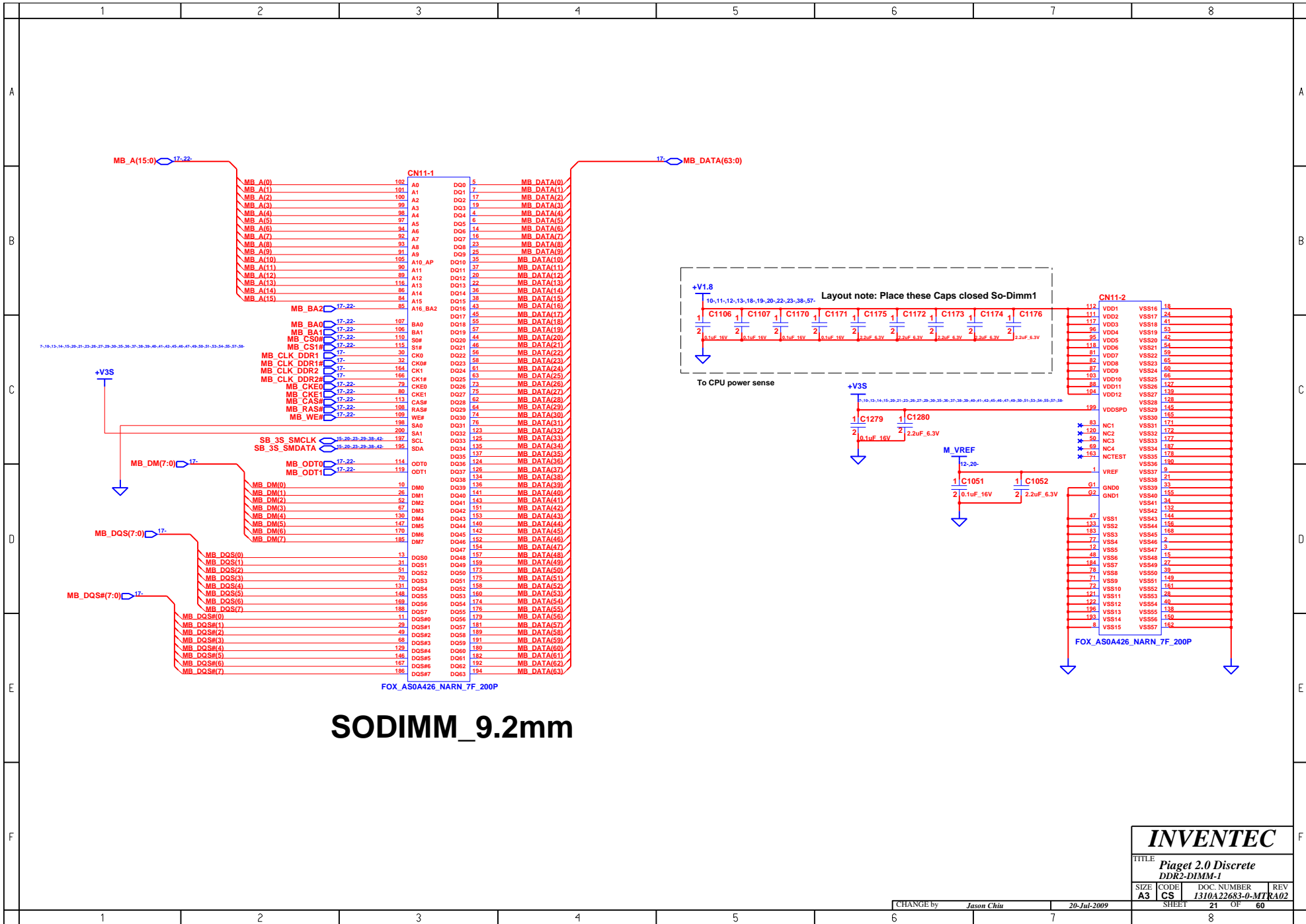
INVENTEC				
TITLE Piaget 2.0 Discrete CPU-3				
SIZE A3	CODE CS	DOC. NUMBER I310A2263-0-MT	REV A02	
CHANGE by Jason Chiu		20-Jul-2009		
SHEET 18			OF 60	



INVENTEC			
TITLE: Piaget 2.0 Discrete CPU-4			
SIZE: A3	CODE: CS	DOC. NUMBER: I310A2263-0-MTR	REV: R402
CHANGE by: <i>Jason Chiu</i>		20-Jul-2009	
SHEET: 19		OF: 60	



INVENTEC				
TITLE: Piaget 2.0 Discrete DDR2-DIMM-0				
SIZE	CODE	DOC. NUMBER	REV	
A3	CS	I310A2263-0-MT	RA02	
CHANGE by <i>Jason Chiu</i>			20-Jul-2009	
SHEET 20			OF 60	

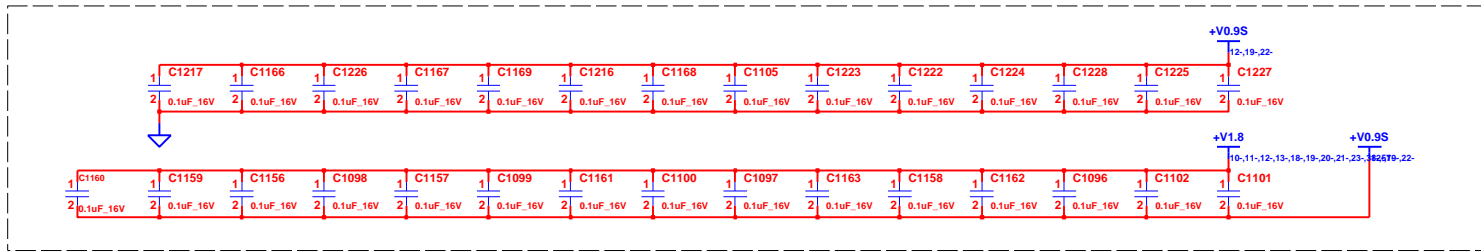


INVENTEC

TITLE
**Piaget 2.0 Discrete
DDR2-DIMM-1**

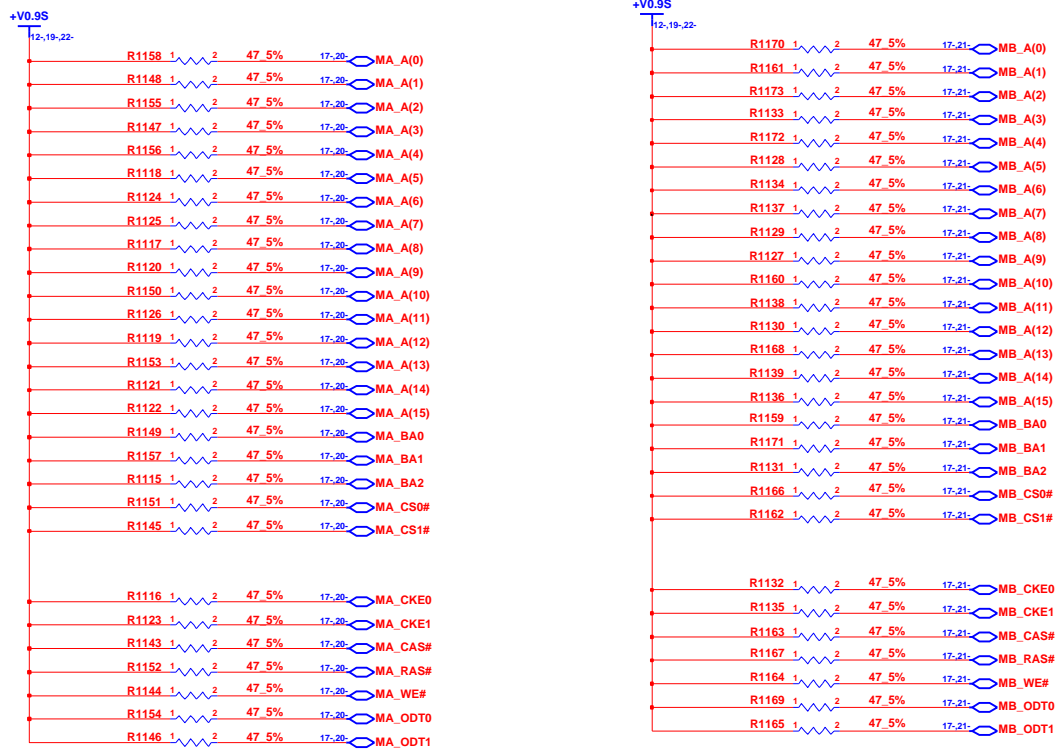
SIZE	CODE	DOC. NUMBER	REV
A3	CS	1310A22633-0-MT	RA02

CHANGE by *Jason Chiu* 20-Jul-2009 SHEET 21 OF 60



To CPU power sense

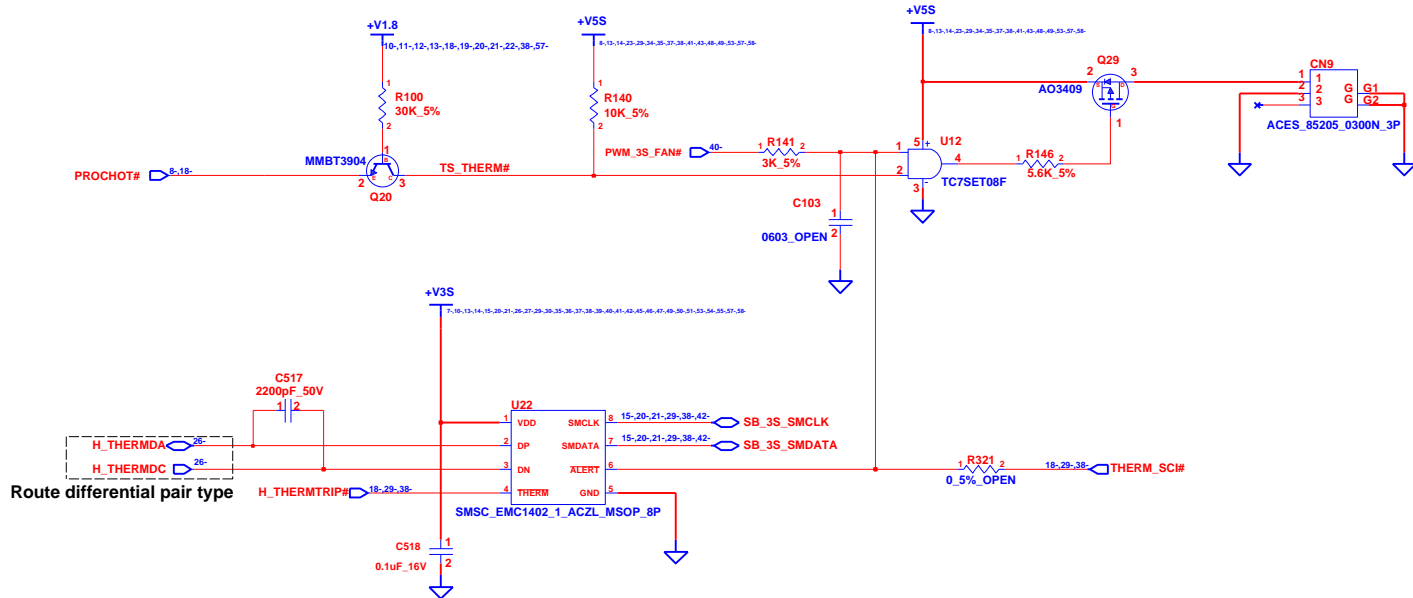
Place CAPs close to DIMM



INVENTEC

TITLE			
Piaget 2.0 Discrete DDR2-DAMPING			
SIZE	CODE	DOC NUMBER	REV
A3	CS	I310A2263-0-MT	KA02
SHEET		22	OF 60

CHANGE by Jason Chiu 20-Jul-2009



Route differential pair type

LAYOUT Note: Put the thermal sensor close to CPU.

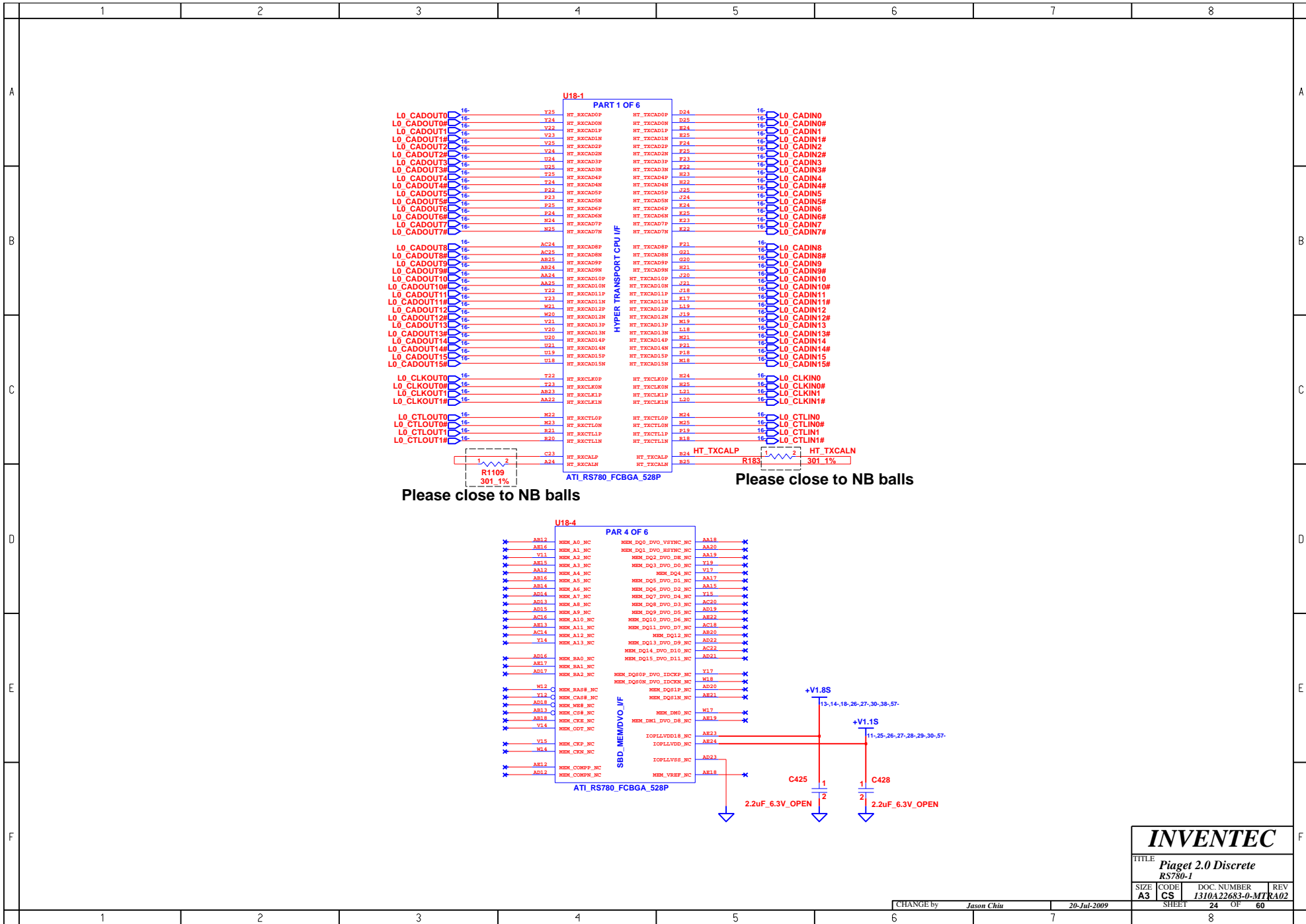
INVENTEC

TITLE
Piaget 2.0 Discrete
 THERMAL & FAN CONTROLLER

SIZE A3	CODE CS	DOC. NUMBER 1310A22683-0-MT	REV RA02
-------------------	-------------------	---------------------------------------	--------------------

CHANGE by *Jason Chiu* 20-Jul-2009

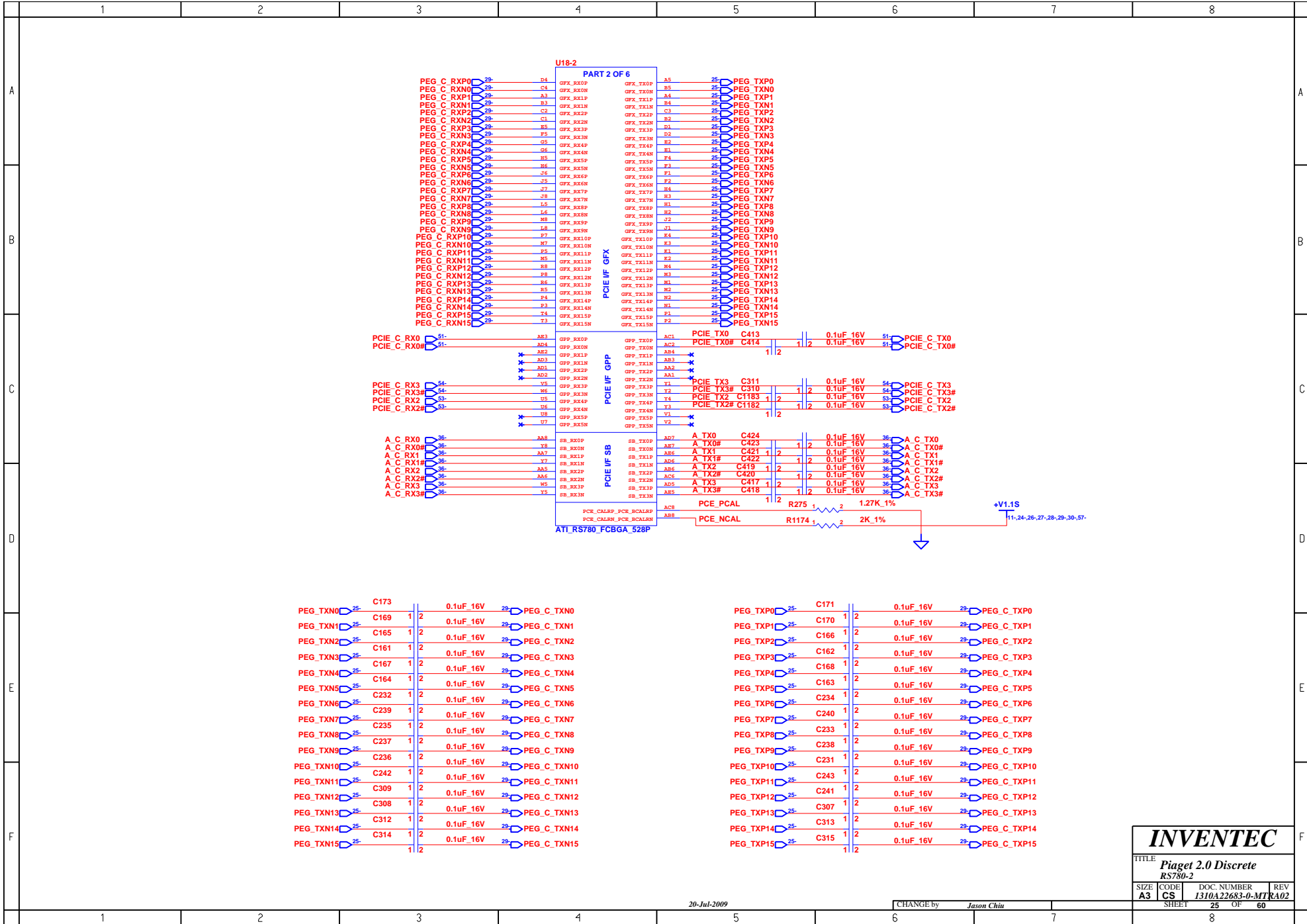
SHEET 23 OF 60



INVENTEC

TITLE
**Piaget 2.0 Discrete
RS780-1**

SIZE A3	CODE CS	DOC. NUMBER I310A2263-0-MTR	REV A02
CHANGE by <i>Jason Chiu</i>		20-Jul-2009	
SHEET 24		OF 60	



PEG_TXN0	25	C173	1	0.1uF_16V	25	PEG_C_TXN0
PEG_TXN1	25	C169	1	0.1uF_16V	25	PEG_C_TXN1
PEG_TXN2	25	C165	1	0.1uF_16V	25	PEG_C_TXN2
PEG_TXN3	25	C161	1	0.1uF_16V	25	PEG_C_TXN3
PEG_TXN4	25	C167	1	0.1uF_16V	25	PEG_C_TXN4
PEG_TXN5	25	C164	1	0.1uF_16V	25	PEG_C_TXN5
PEG_TXN6	25	C232	1	0.1uF_16V	25	PEG_C_TXN6
PEG_TXN7	25	C239	1	0.1uF_16V	25	PEG_C_TXN7
PEG_TXN8	25	C235	1	0.1uF_16V	25	PEG_C_TXN8
PEG_TXN9	25	C237	1	0.1uF_16V	25	PEG_C_TXN9
PEG_TXN10	25	C236	1	0.1uF_16V	25	PEG_C_TXN10
PEG_TXN11	25	C242	1	0.1uF_16V	25	PEG_C_TXN11
PEG_TXN12	25	C309	1	0.1uF_16V	25	PEG_C_TXN12
PEG_TXN13	25	C308	1	0.1uF_16V	25	PEG_C_TXN13
PEG_TXN14	25	C312	1	0.1uF_16V	25	PEG_C_TXN14
PEG_TXN15	25	C314	1	0.1uF_16V	25	PEG_C_TXN15

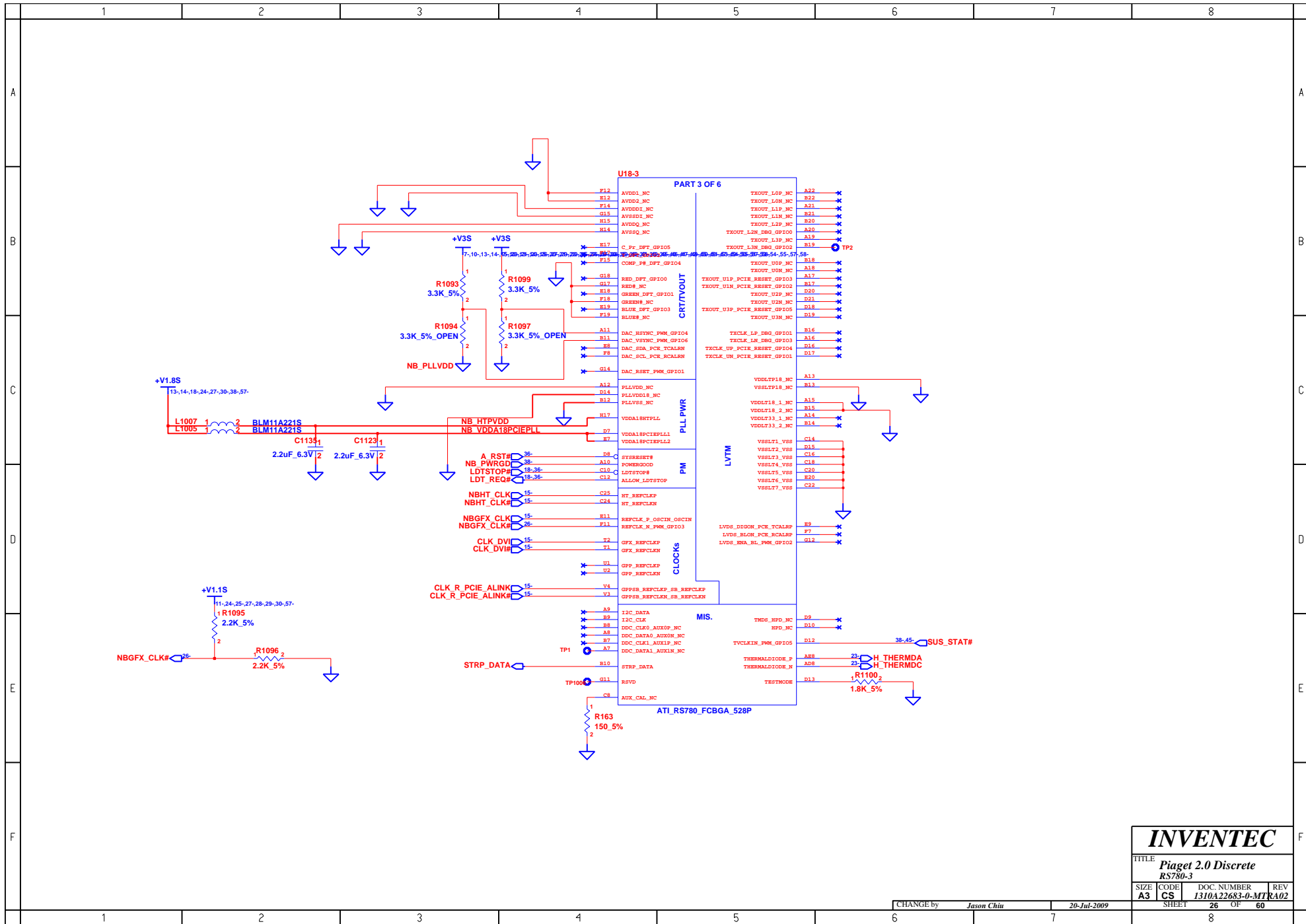
PEG_TXP0	25	C171	1	0.1uF_16V	25	PEG_C_TXP0
PEG_TXP1	25	C170	1	0.1uF_16V	25	PEG_C_TXP1
PEG_TXP2	25	C166	1	0.1uF_16V	25	PEG_C_TXP2
PEG_TXP3	25	C162	1	0.1uF_16V	25	PEG_C_TXP3
PEG_TXP4	25	C168	1	0.1uF_16V	25	PEG_C_TXP4
PEG_TXP5	25	C163	1	0.1uF_16V	25	PEG_C_TXP5
PEG_TXP6	25	C234	1	0.1uF_16V	25	PEG_C_TXP6
PEG_TXP7	25	C240	1	0.1uF_16V	25	PEG_C_TXP7
PEG_TXP8	25	C233	1	0.1uF_16V	25	PEG_C_TXP8
PEG_TXP9	25	C238	1	0.1uF_16V	25	PEG_C_TXP9
PEG_TXP10	25	C231	1	0.1uF_16V	25	PEG_C_TXP10
PEG_TXP11	25	C243	1	0.1uF_16V	25	PEG_C_TXP11
PEG_TXP12	25	C241	1	0.1uF_16V	25	PEG_C_TXP12
PEG_TXP13	25	C307	1	0.1uF_16V	25	PEG_C_TXP13
PEG_TXP14	25	C313	1	0.1uF_16V	25	PEG_C_TXP14
PEG_TXP15	25	C315	1	0.1uF_16V	25	PEG_C_TXP15

INVENTEC

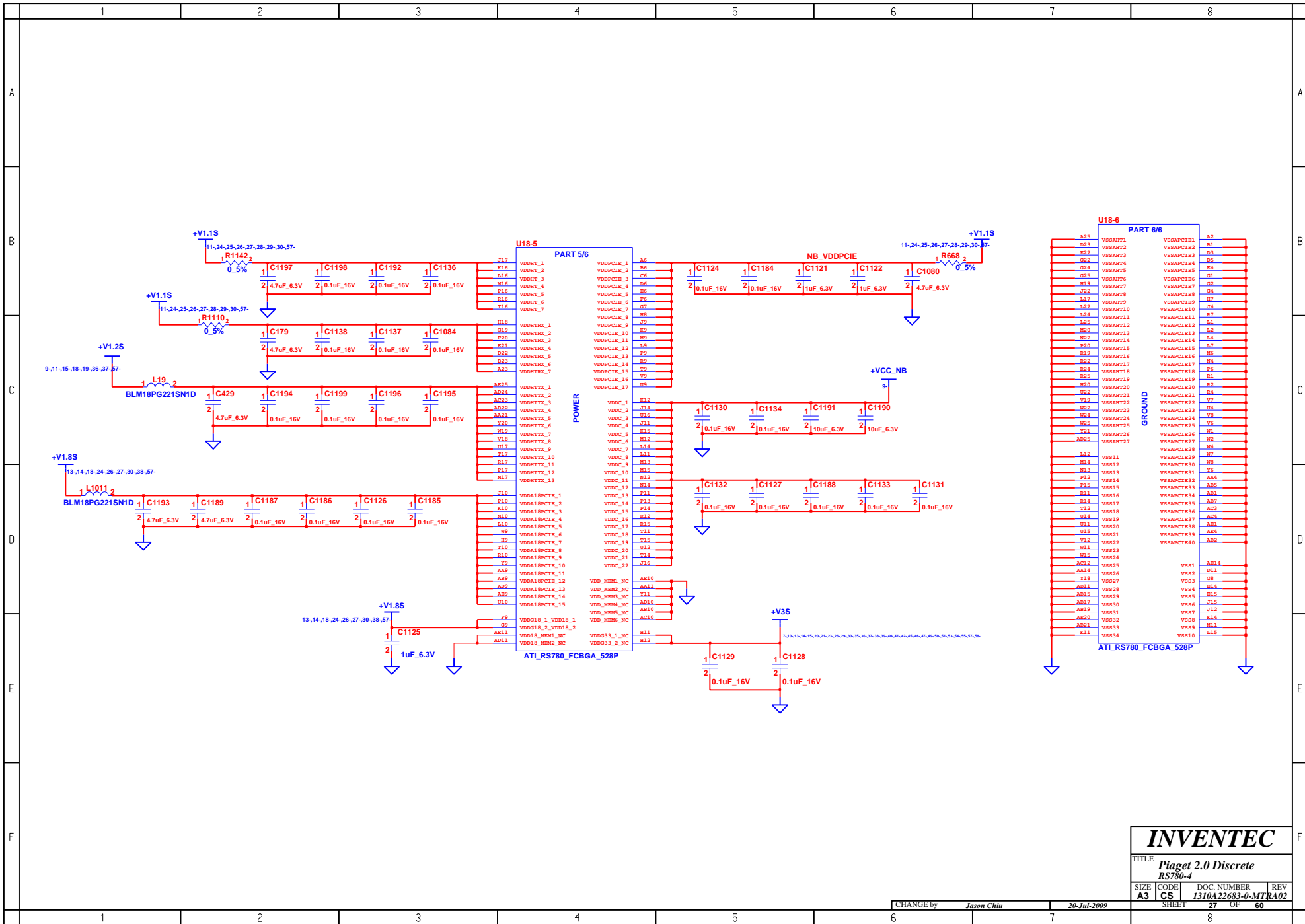
TITLE
Piaget 2.0 Discrete RS780-2

SIZE	CODE	DOC. NUMBER	REV
A3	CS	1310A22683-0-MT	KA02

SHEET 25 OF 80



INVENTEC			
TITLE Piaget 2.0 Discrete RS780-3			
SIZE A3	CODE CS	DOC. NUMBER 1310A2263-0-MT	REV R402
CHANGE by <i>Jason Chiu</i>		20-Jul-2009	
SHEET 26		OF 80	



INVENTEC

TITLE
**Piaget 2.0 Discrete
 RS780-4**

SIZE	CODE	DOC. NUMBER	REV
A3	CS	1310A2263-0-MT	RA02

CHANGE by Jason Chiu

20-Jul-2009

SHEET 27 OF 80

STRAPS	PIN	Description of default settings	
TX_PWRS_ENB	GPIO0	PCIe 50% TX output swing.	1
TX_DEEMPH_EN	GPIO1	PCIe transmitter de-emphasis disabled.	0
BIF_DEBUG_ACCESS	GPIO4	Debug signals muxed out.	0
ROMIDCFG(0:3)	GPIO[11:13,9]	Memory aperture type	X X X X

X = DESIGN DEPENDANT
 0 = DO NOT INSTALL RESISTOR
 1 = INSTALL 10K RESISTOR

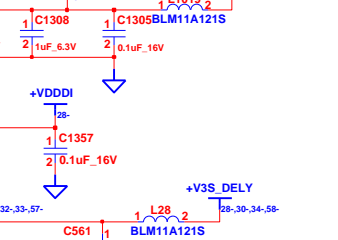
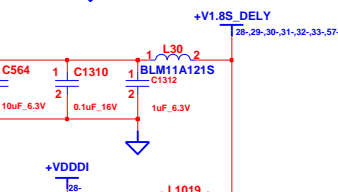
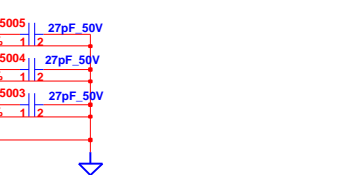
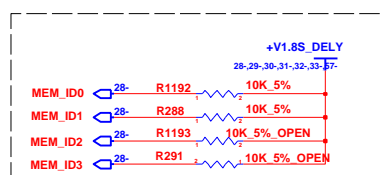
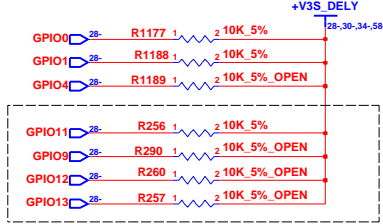
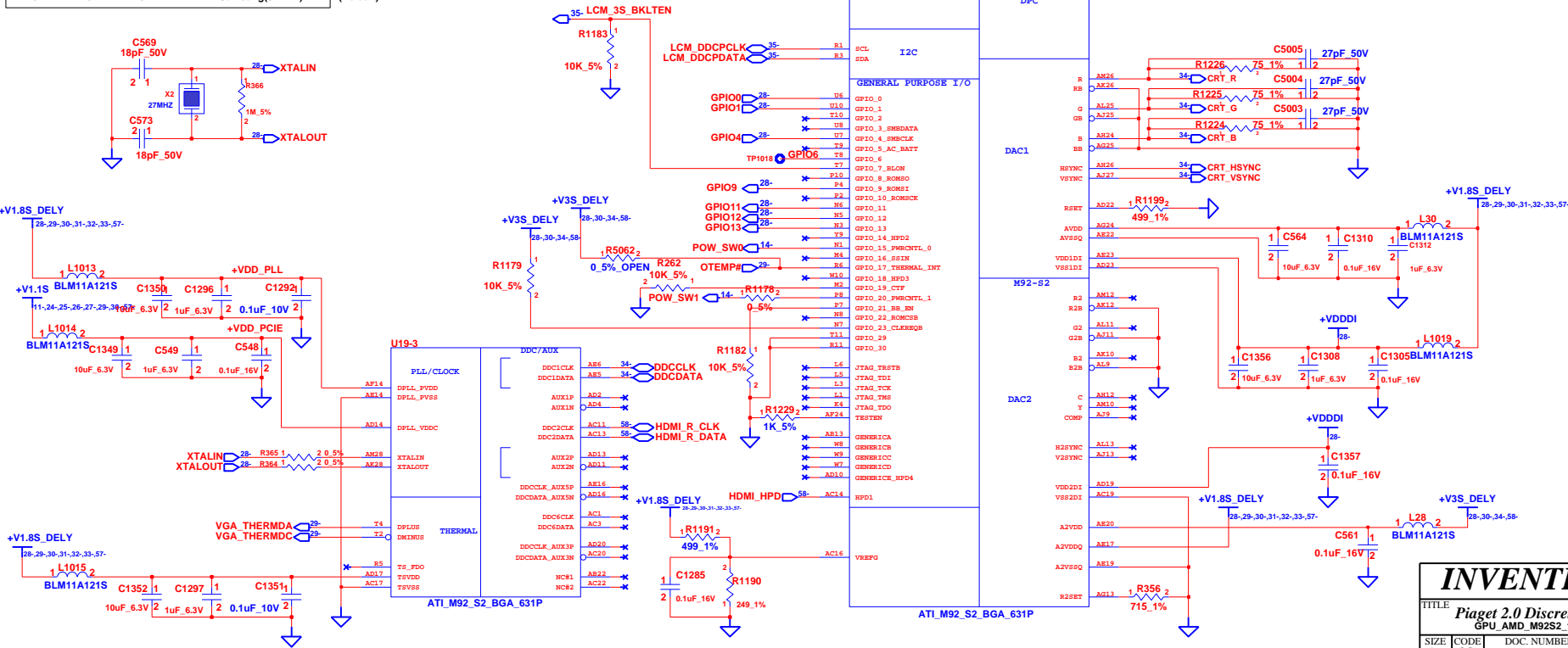
Table 1

GPIO_13	GPIO_12	GPIO_11	For DIS-GDDR2
0	0	1	(512/256M) memory aperture (Default)
1	1	0	reserved

POW_SW1	POW_SW0	+VDD_CORE
0	0	0.85V
0	1	0.9V
1	0	0.95V
1	1	1.0V

Table 2

For DIS-GDDR2				
MEM_ID3	MEM_ID2	MEM_ID1	MEM_ID0	vendor
0	0	1	1	hynix (512MB)
0	0	1	0	Qimonda(512M)
0	0	0	1	Samsung(512MB) (Default)



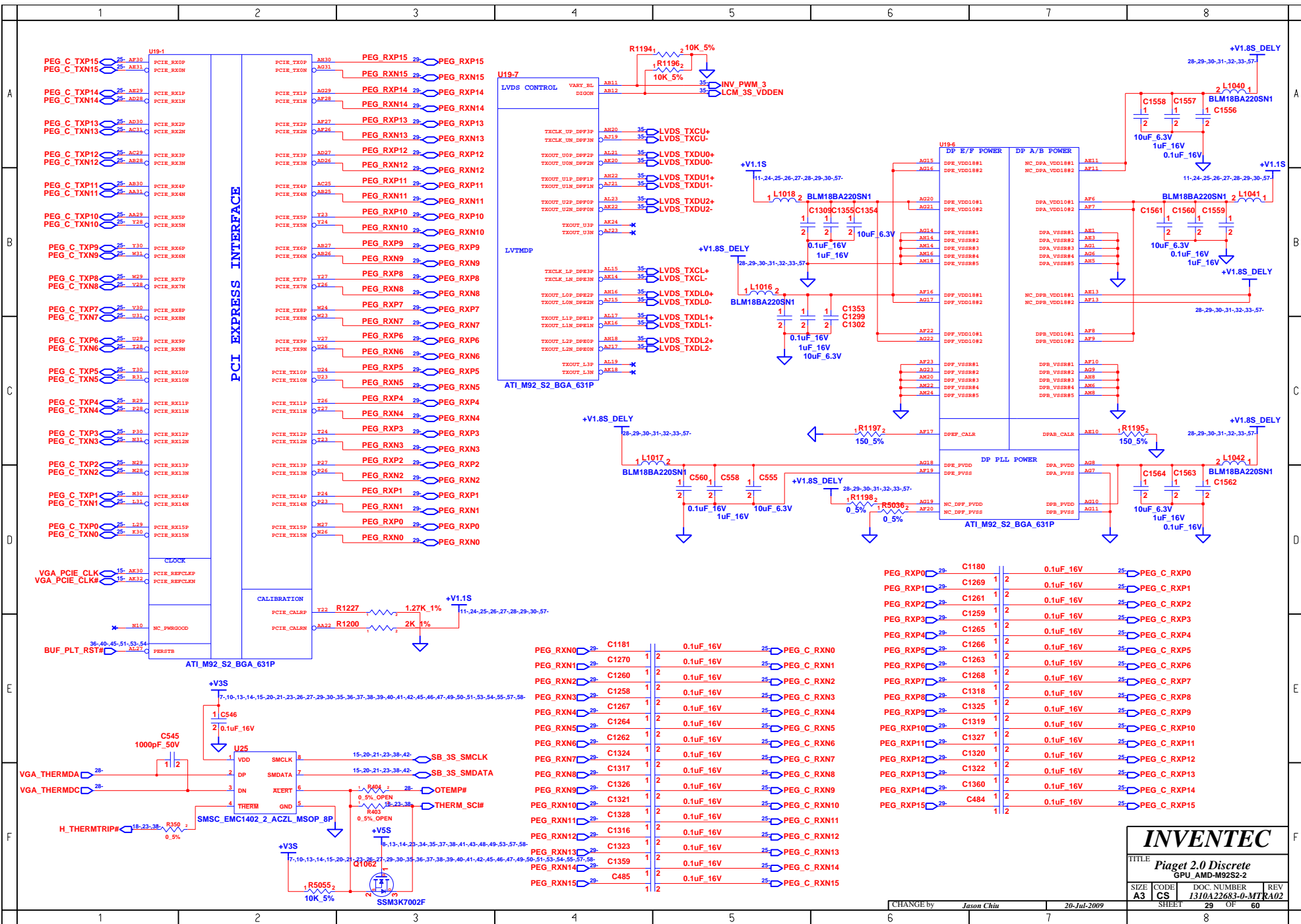
INVENTEC

TITLE: **Piaget 2.0 Discrete GPU_AMD_M92S2_1**

SIZE	CODE	DOC NUMBER	REV
A3	CS	1310A22683-0-MTR	A02

CHANGE by: Jason Chiu 20-Jul-2009

SHEET 28 OF 80



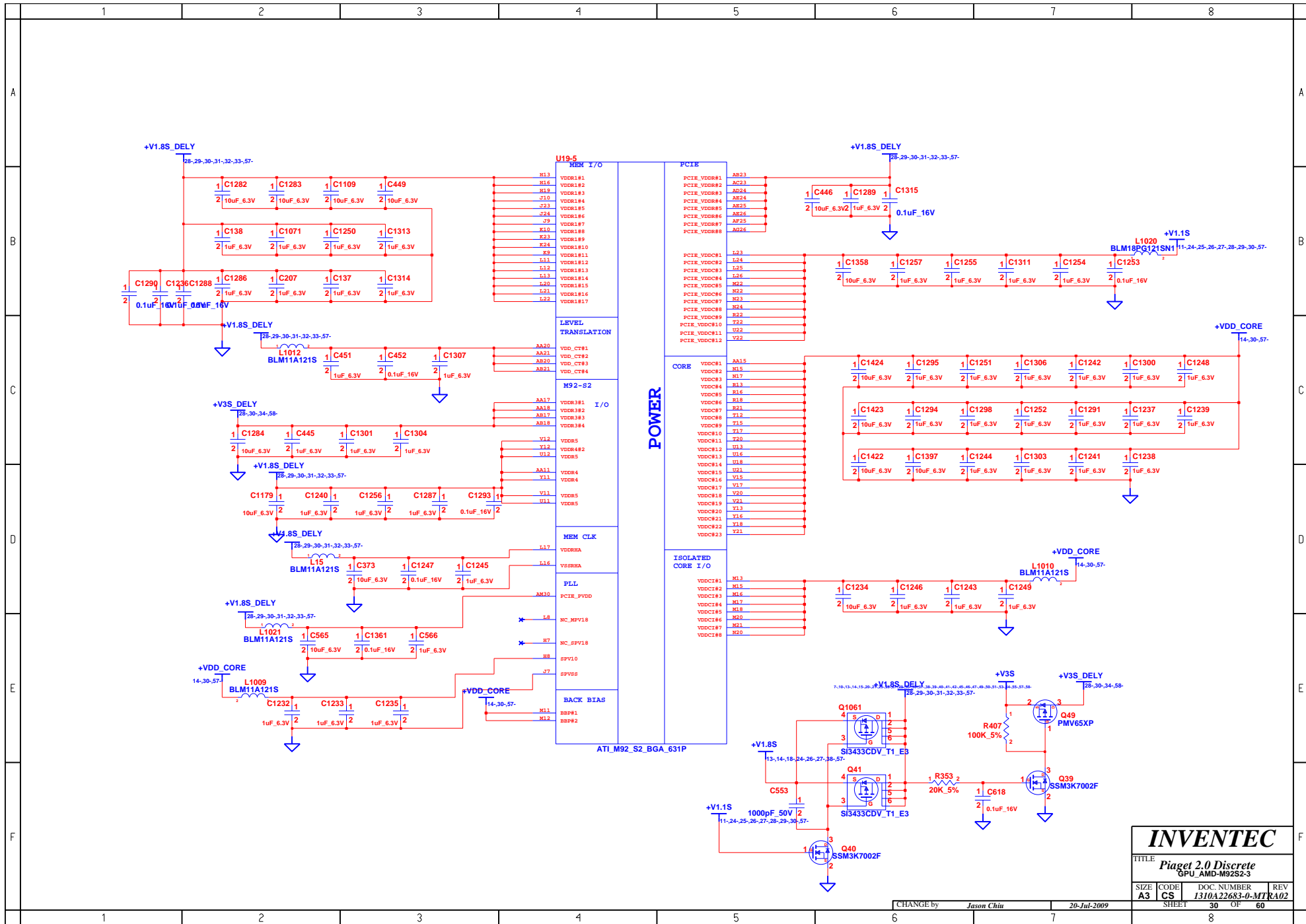
INVENTEC

TITLE: **Piaget 2.0 Discrete GPU_AMD-M92S2-2**

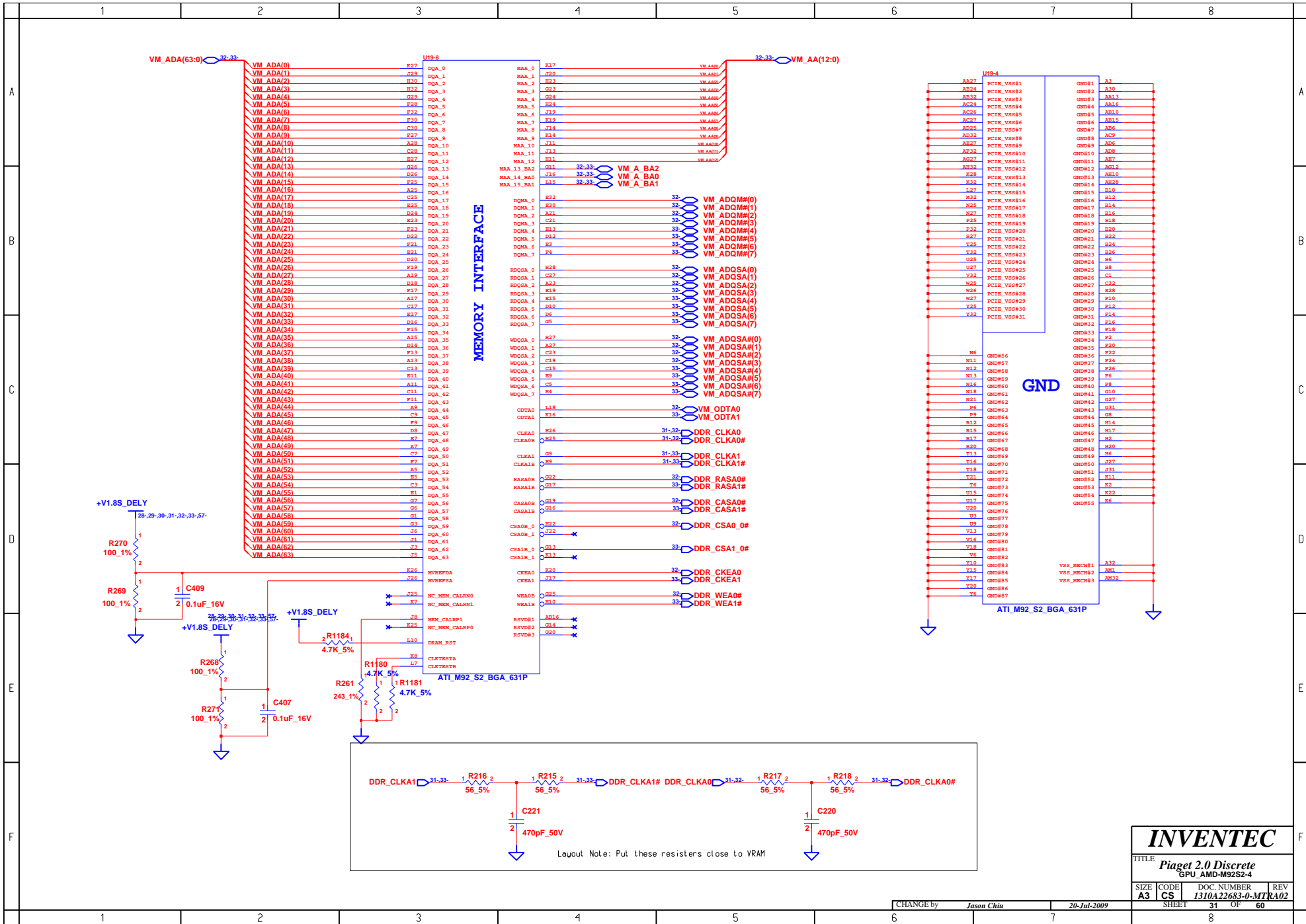
SIZE: A3 CODE: CS DOC. NUMBER: 1310A2263-0-MTR402 REV: R102

CHANGE by: Jason Chiu 20-Jul-2009

SHEET: 29 OF 80



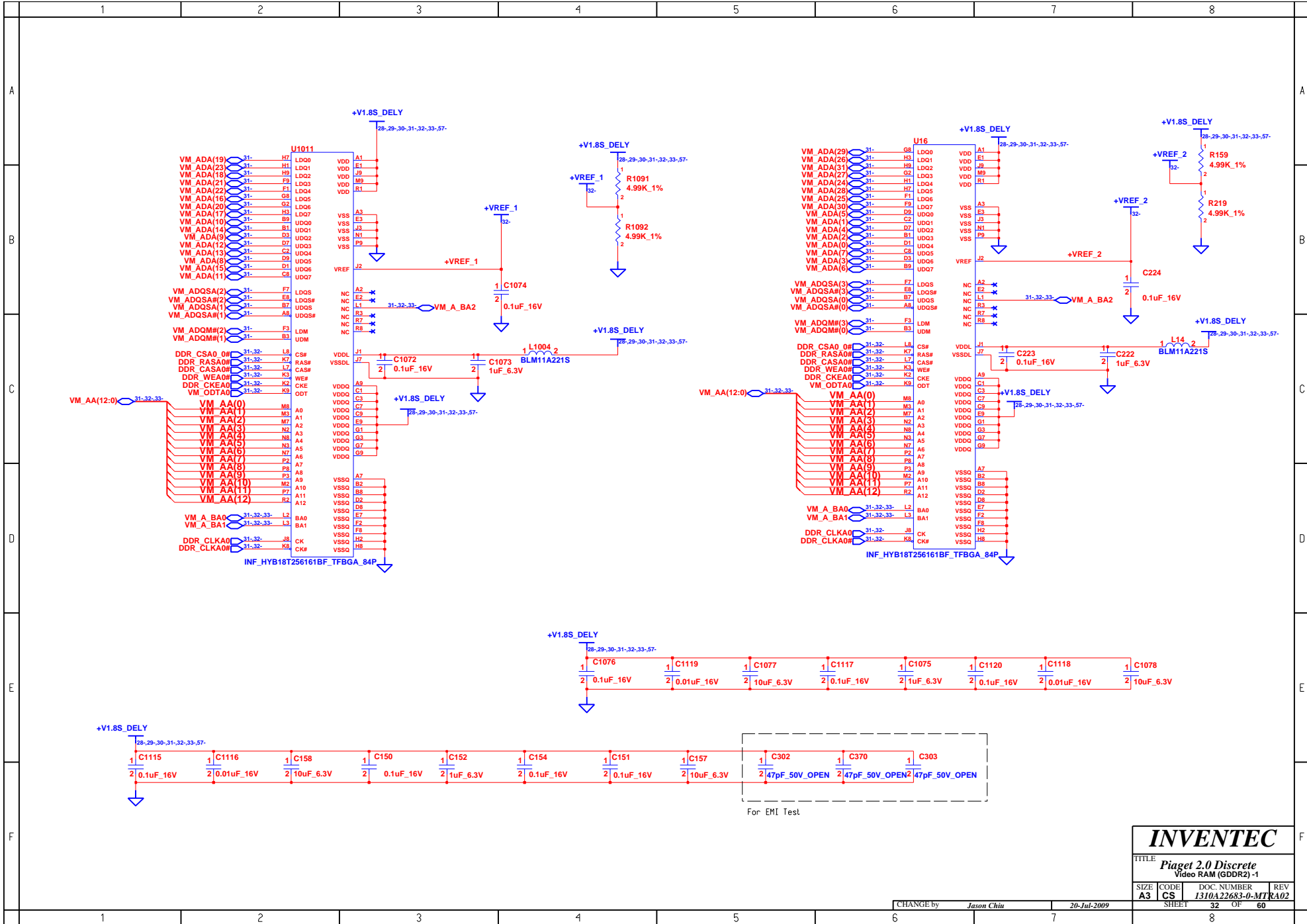
INVENTEC			
TITLE Piaget 2.0 Discrete GPU_AMD-M92S2-3			
SIZE A3	CODE CS	DOC. NUMBER I310A2263-0-MT	REV A02
SHEET 30		OF 60	



INVENTEC

TITLE
Piaget 2.0 Discrete
 GPU_AMD-M92S2-4

SIZE	CODE	DOC. NUMBER	REV
A3	CS	I310A22683-0-MTR	A02



INVENTEC

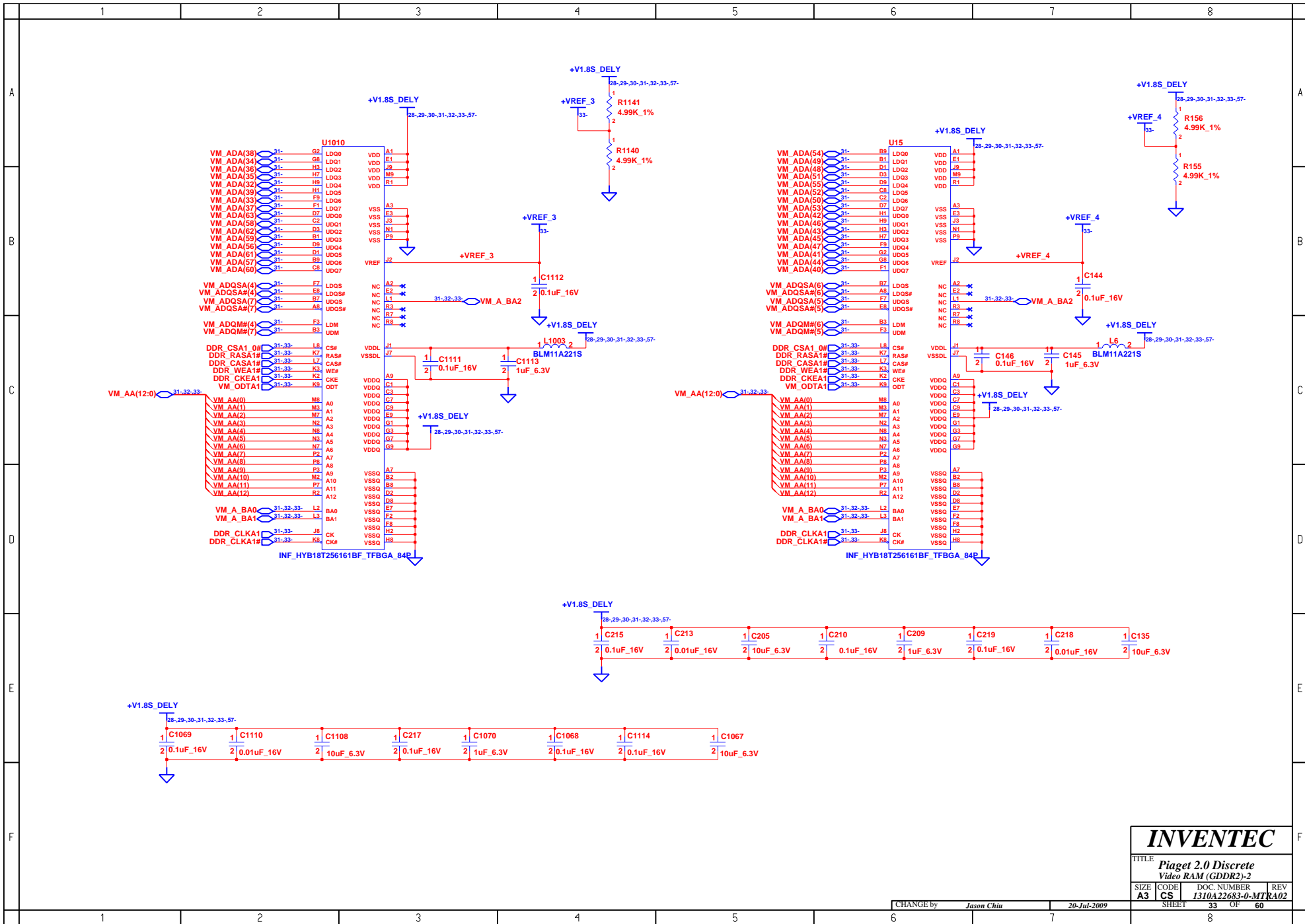
TITLE
Piaget 2.0 Discrete
Video RAM (GDDR2) -1

SIZE CODE DOC NUMBER REV
A3 CS 1310A22683-0-MT RA02

SHEET 32 OF 80

CHANGE by Jason Chiu 20-Jul-2009

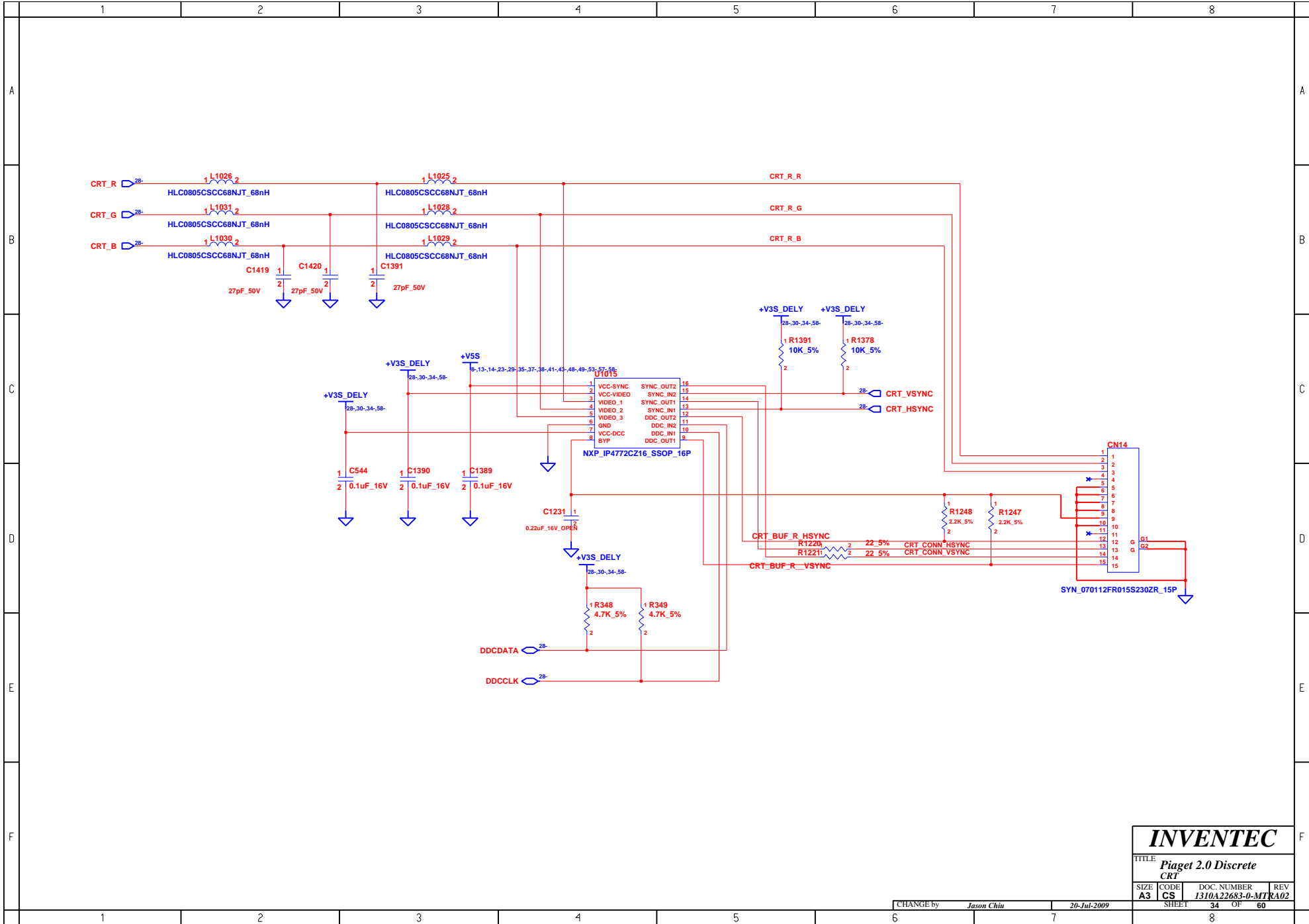
For EMI Test



INVENTEC

TITLE			
Piaget 2.0 Discrete Video RAM (GDDR2)-2			
SIZE	CODE	DOC. NUMBER	REV
A3	CS	I310A2263-0-MT	A02
SHEET		33	OF 60

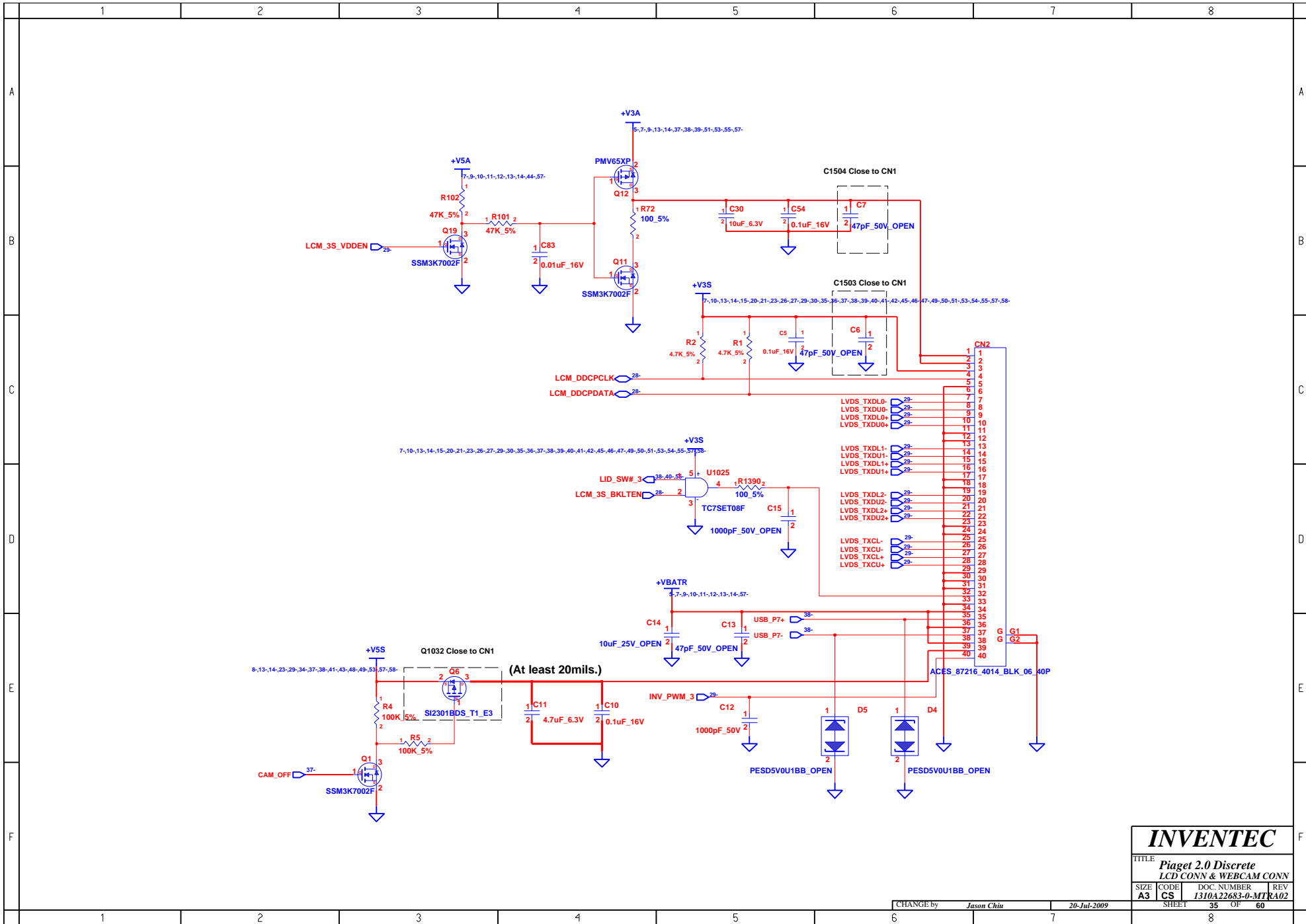
CHANGE by Jason Chiu 20-Jul-2009



INVENTEC

TITLE
**Piaget 2.0 Discrete
 CRT**

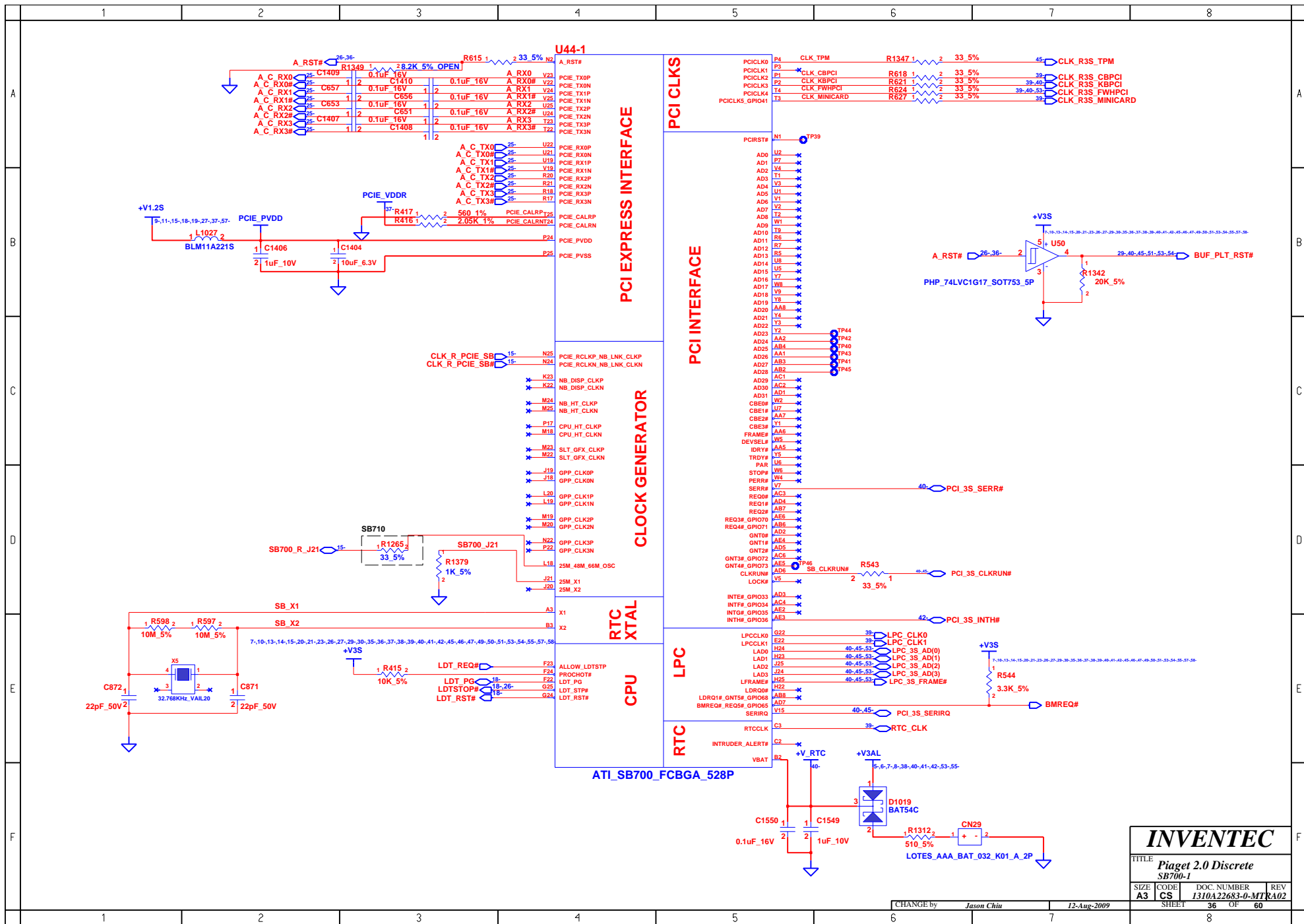
SIZE A3	CODE CS	DOC. NUMBER 1310A22683-0-MT	REV KA02
-------------------	-------------------	---------------------------------------	--------------------



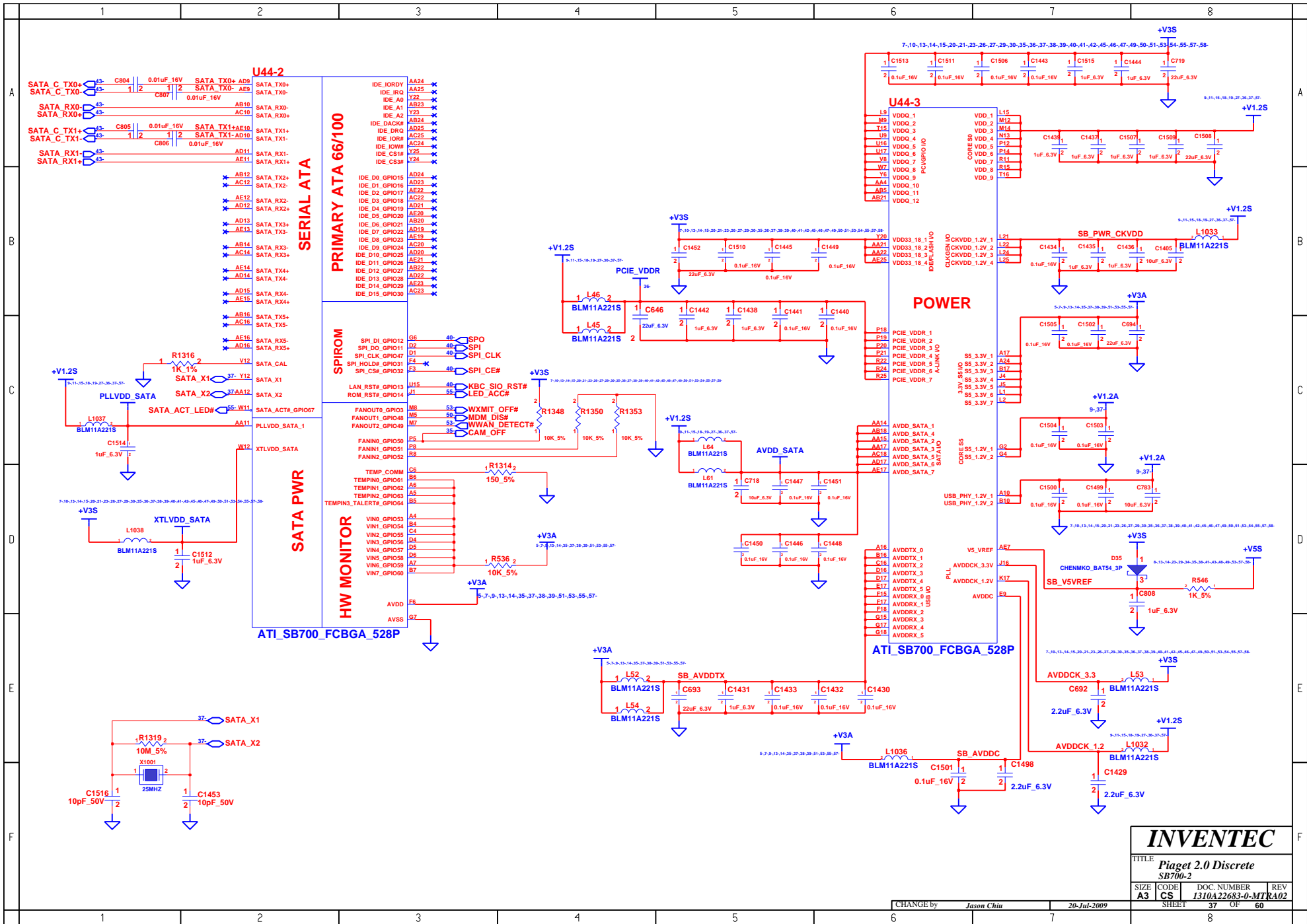
INVENTEC

TITLE
**Piaget 2.0 Discrete
 LCD CONN & WEBCAM CONN**

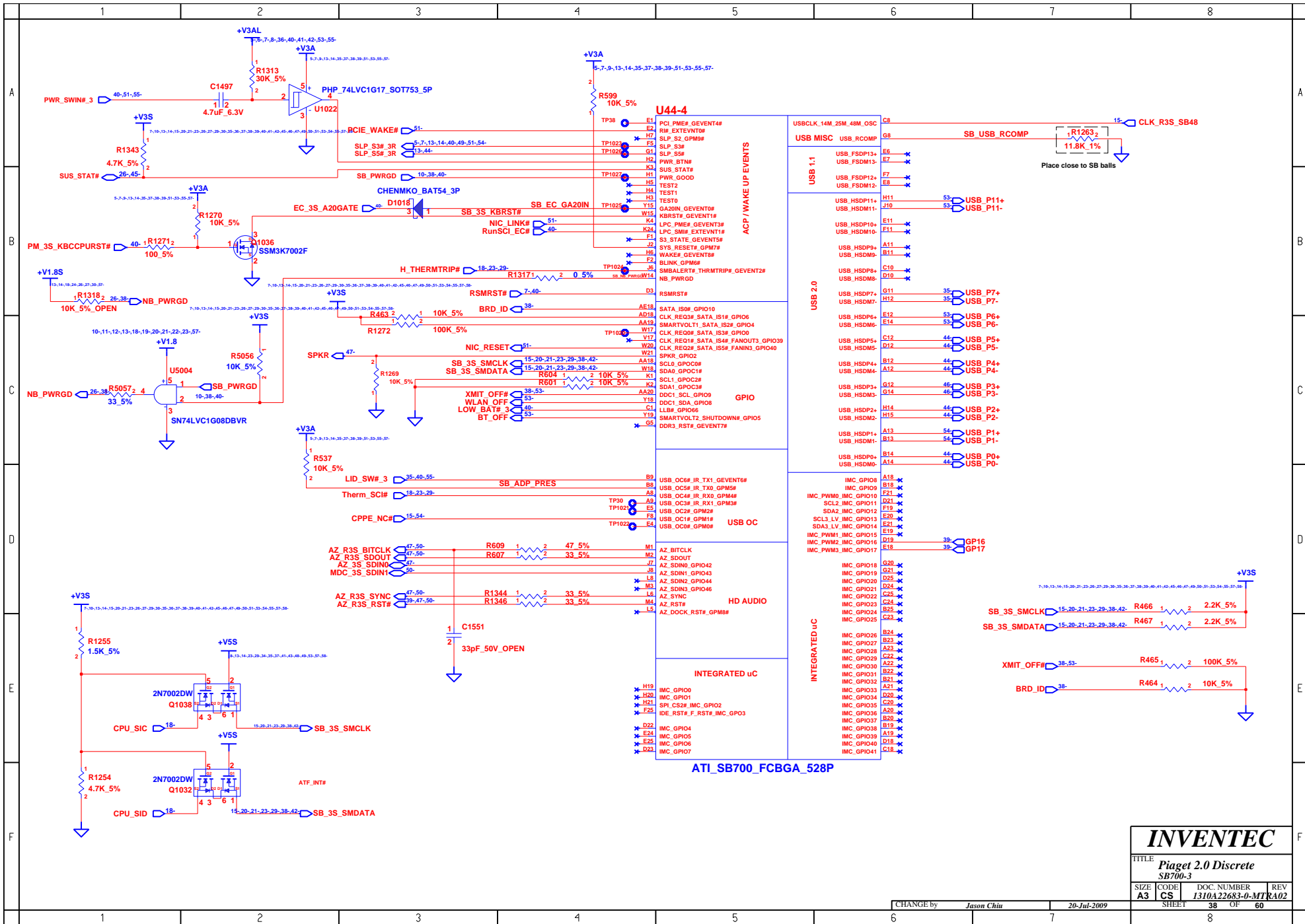
SIZE A3	CODE CS	DOC NUMBER I310A22683-0-MTR	REV A02
CHANGE by <i>Jason Chiu</i>		20-Jul-2009	
SHEET 35		OF 60	



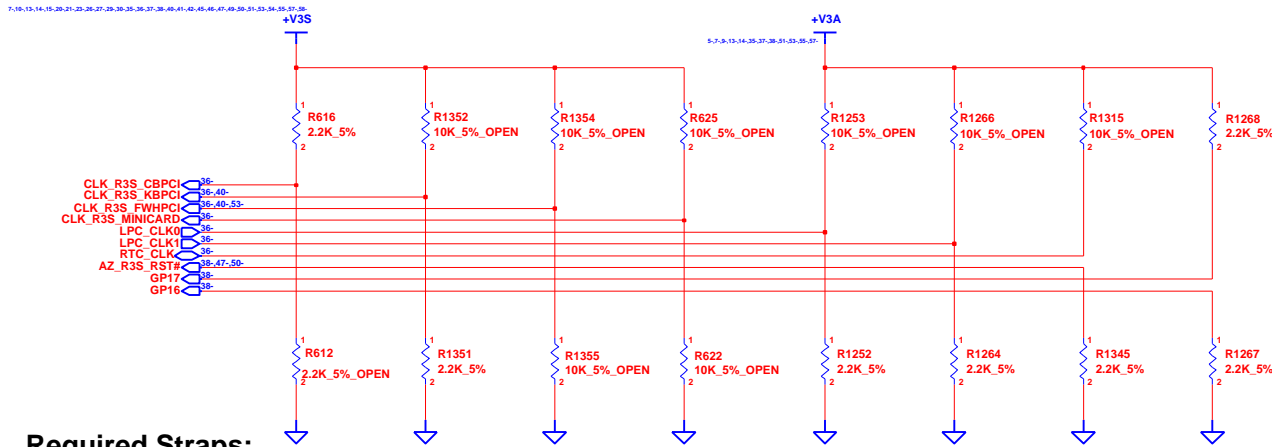
INVENTEC			
TITLE Piaget 2.0 Discrete SB700-1			
SIZE A3	CODE CS	DOC. NUMBER 1310A2263-0-MTR A02	REV R02
CHANGE by <i>Jason Chiu</i>		12-Aug-2009	
SHEET 36		OF 60	



INVENTEC			
TITLE Piaget 2.0 Discrete SB700-2			
SIZE A3	CODE CS	DOC. NUMBER I310A2263-0-MTR	REV A02
CHANGE by <i>Jason Chiu</i>		20-Jul-2009	
SHEET 37		OF 80	

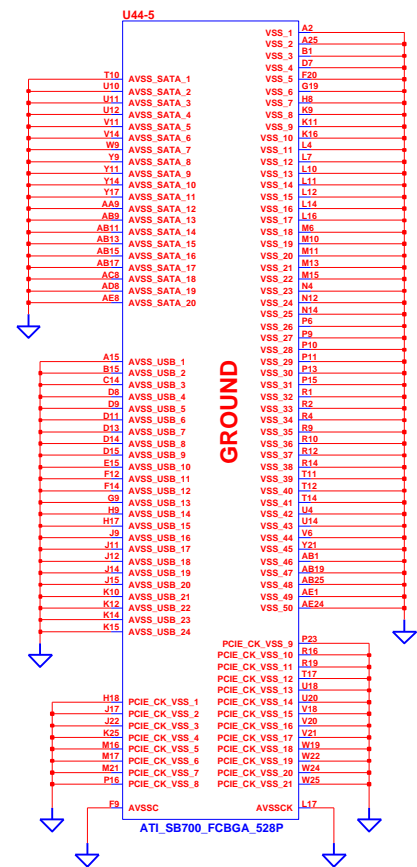


INVENTEC			
TITLE Piaget 2.0 Discrete SB700-3			
SIZE A3	CODE CS	DOC. NUMBER I310A2263-0-MT	REV A02



Required Straps:

	CLK_R3S_CBPCI	CLK_R3S_KBPCI	CLK_R3S_FWHPCI	CLK_R3S_MINICARD	LPC_CLK0	LPC_CLK1	RTC_CLK	AZ_RST#	GP17	GP16
PULL HIGH	BOOTFAIL TIMER ENABLED	USE DEBUG STRAPS	RESERVED	RESERVED	ENABLE PCI MEM BOOT	CLKGEN ENABLED	INTERNAL RTC DEFAULT	EC ENABLED		ROM TYPE H, H = Reserved H, L = SPI ROM
PULL LOW	BOOTFAIL TIMER DISABLED DEFAULT	IGNORE DEBUG STRAPS DEFAULT			DISABLE PCI MEM BOOT DEFAULT	CLKGEN DISABLED DEFAULT	EXT. RTC (PD on X1, apply 32KHz to RTC_CLK)	EC DISABLED DEFAULT		L, H = LPC ROM L, L = FWH ROM

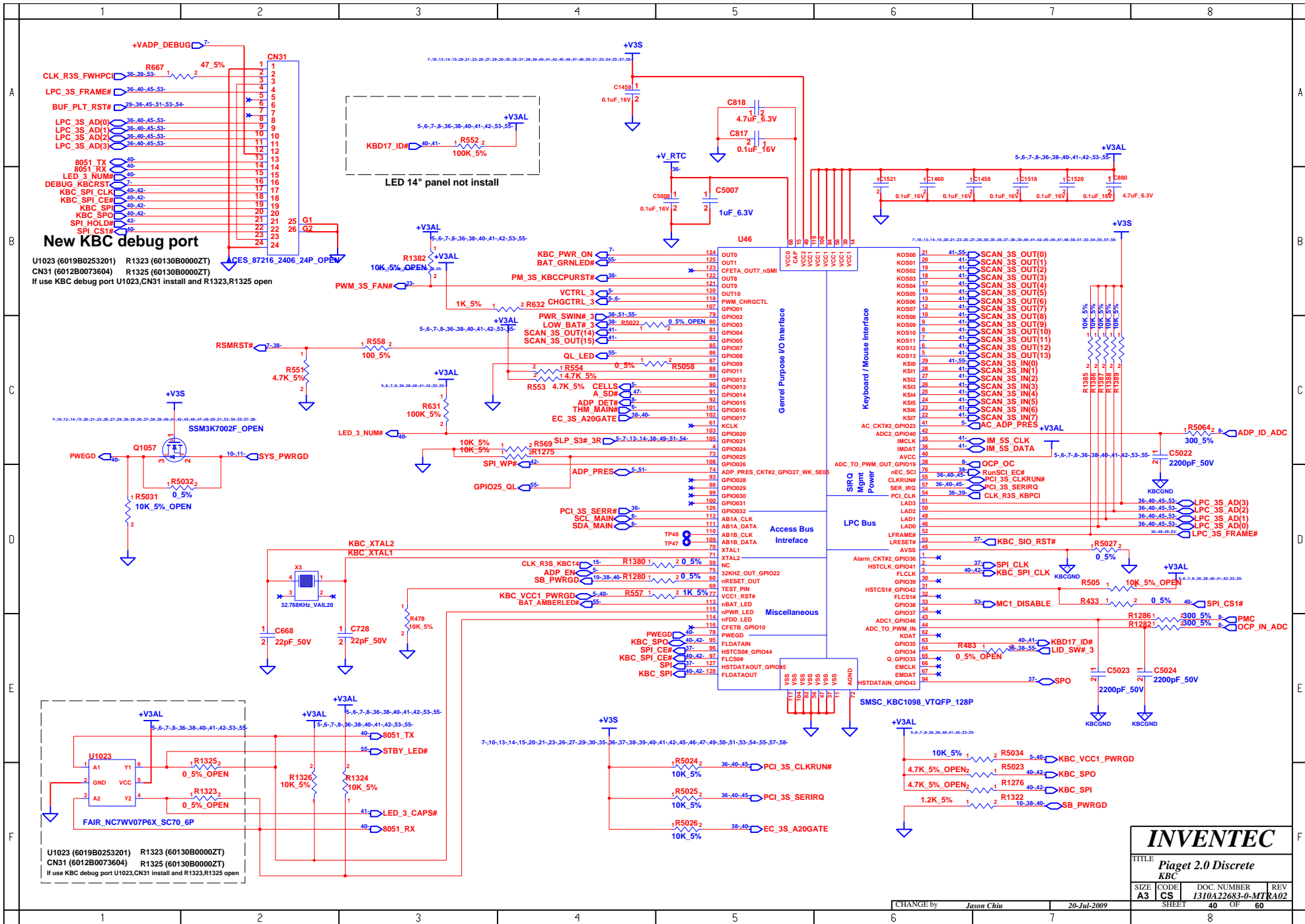


INVENTEC

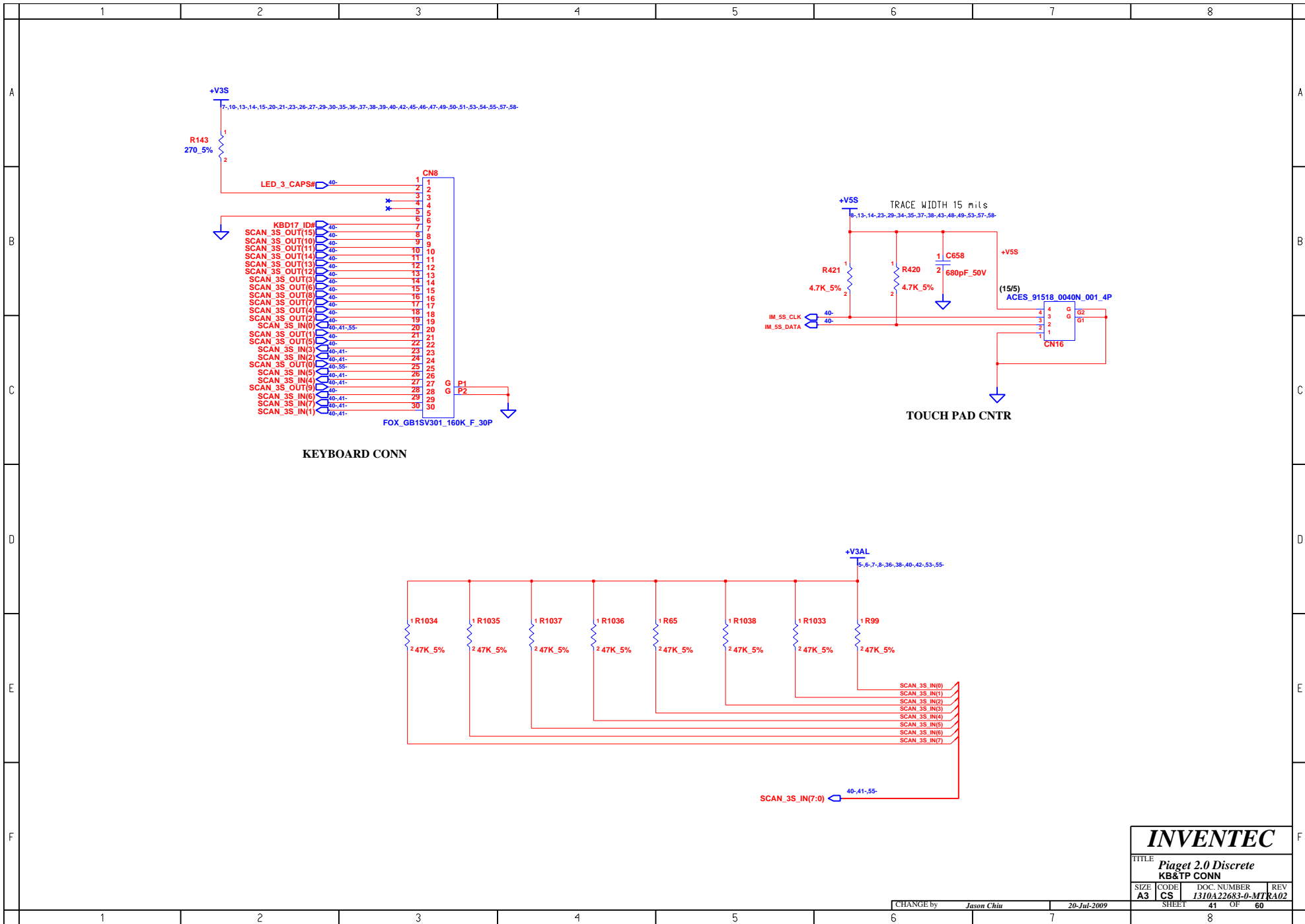
TITLE
**Piaget 2.0 Discrete
SB700-4**

SIZE	CODE	DOC. NUMBER	REV
A3	CS	1310A2263-0-MT	A02

CHANGE by *Jason Chiu* 20-Jul-2009 SHEET 39 OF 60



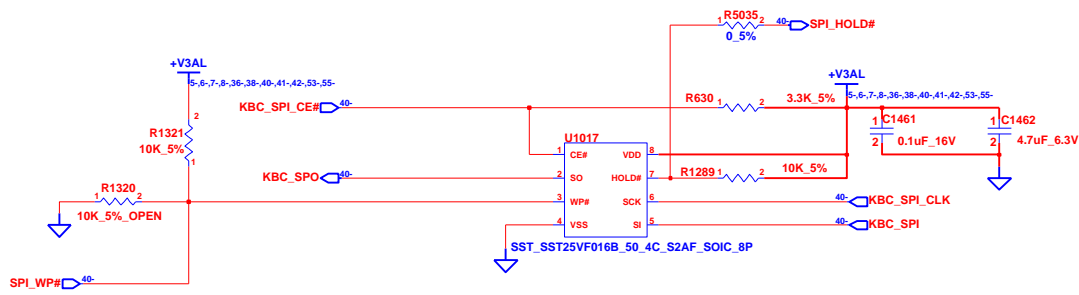
INVENTEC			
TITLE Piaget 2.0 Discrete KBC			
SIZE A3	CODE CS	DOC. NUMBER I310A2263-0-MTR402	REV 1
CHANGE by <i>Jason Chiu</i>		20-Jul-2009	
SHEET 40		OF 60	



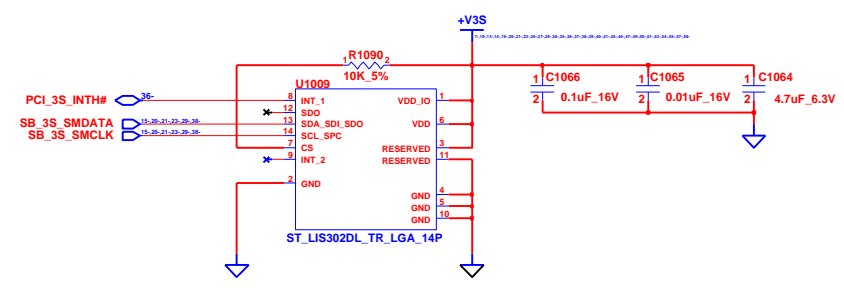
INVENTEC

TITLE
**Piaget 2.0 Discrete
KB&TP CONN**

SIZE A3	CODE CS	DOC. NUMBER 1310A22683-0-MTR	REV A02
-------------------	-------------------	--	-------------------

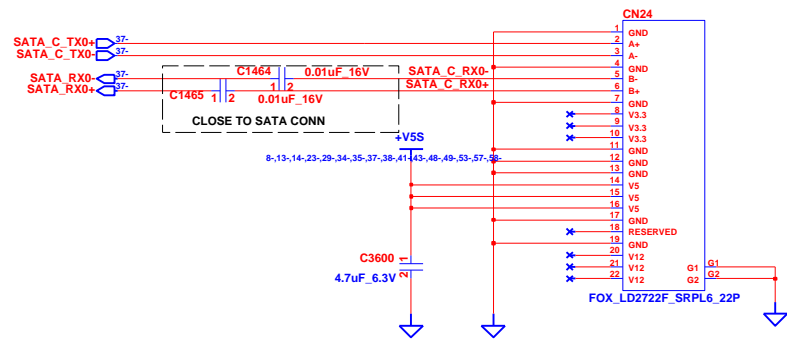


SPI Flash

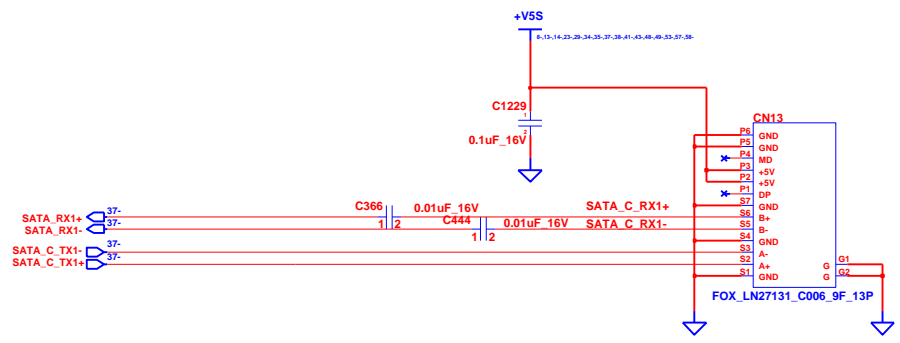


Accelerometer

INVENTEC			
TITLE Piaget 2.0 Discrete SPI & ACCELEROMETER			
SIZE A3	CODE CS	DOC. NUMBER 1310A22683-0-MT	REV KA02
CHANGE by <i>Jason Chiu</i>		20-Jul-2009	
SHEET 42		OF 60	

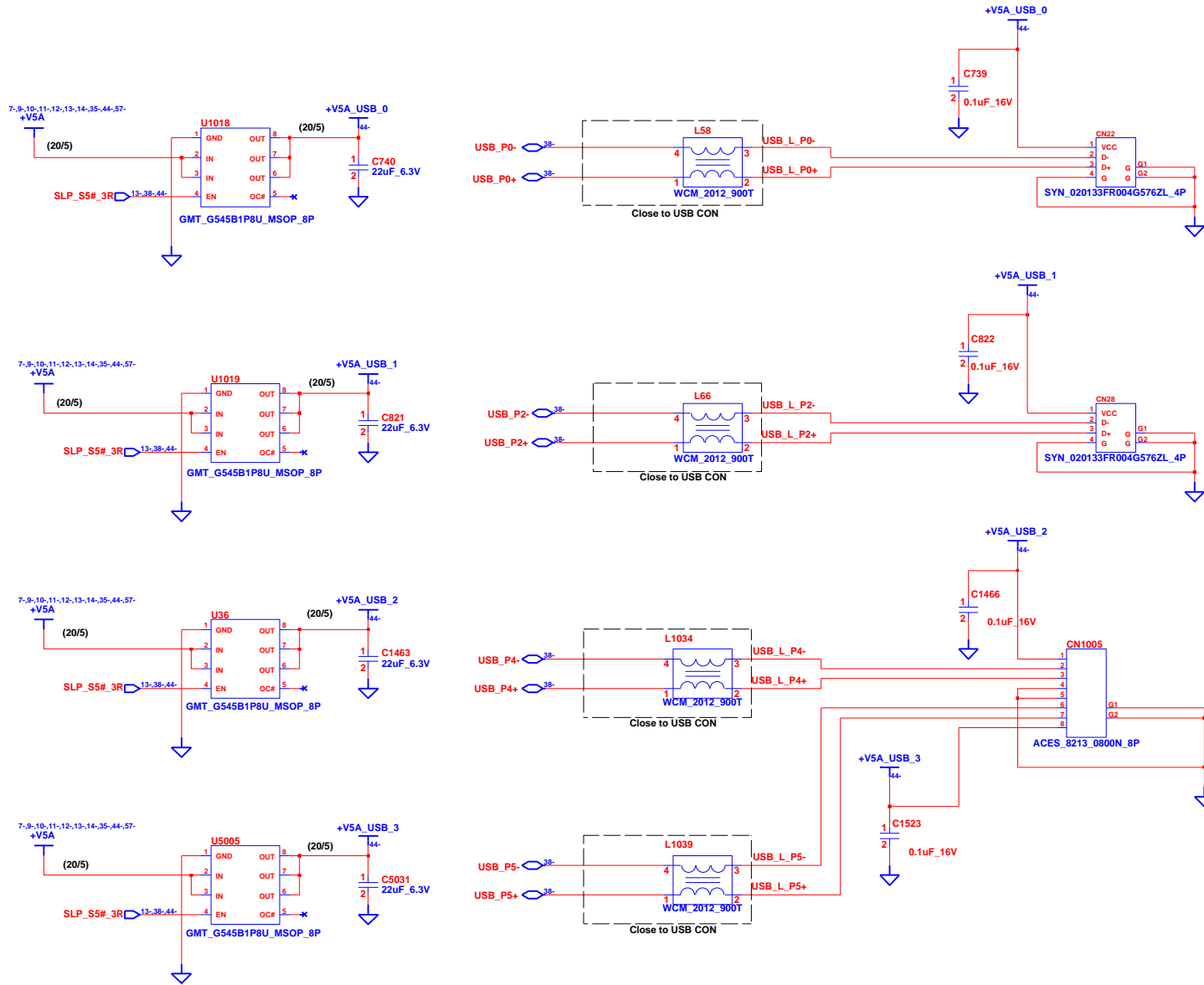


HDD CONNECTOR



ODD SATA CONNECTOR

INVENTEC			
TITLE <i>Piaget 2.0 Discrete HDD & ODD CONN</i>			
SIZE A3	CODE CS	DOC. NUMBER <i>1310A22683-0-MTR</i>	REV A02
CHANGE by <i>Jason Chiu</i>		20-Jul-2009	
SHEET 43		OF 60	



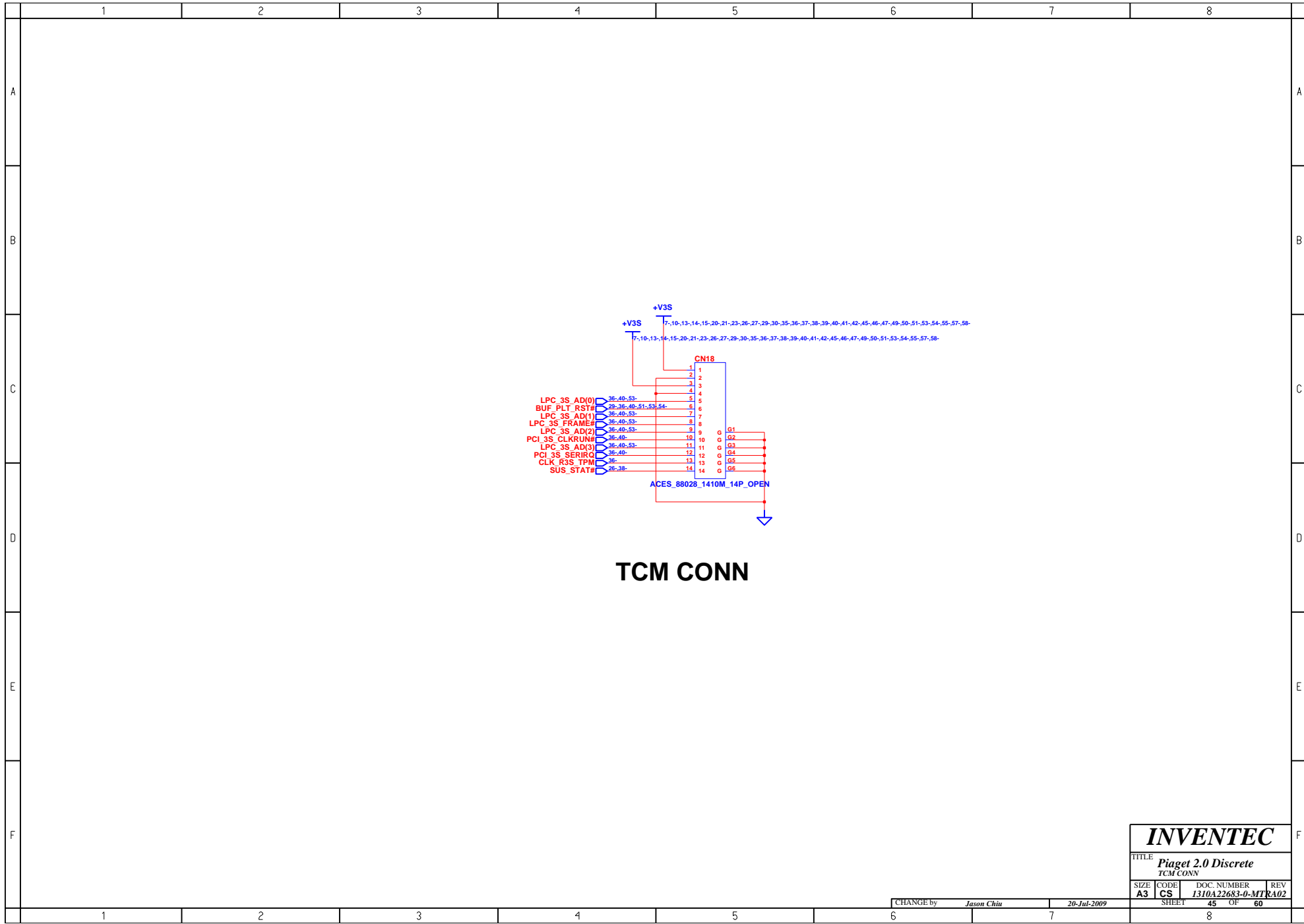
INVENTEC

TITLE
**Piaget 2.0 Discrete
 USB CONN**

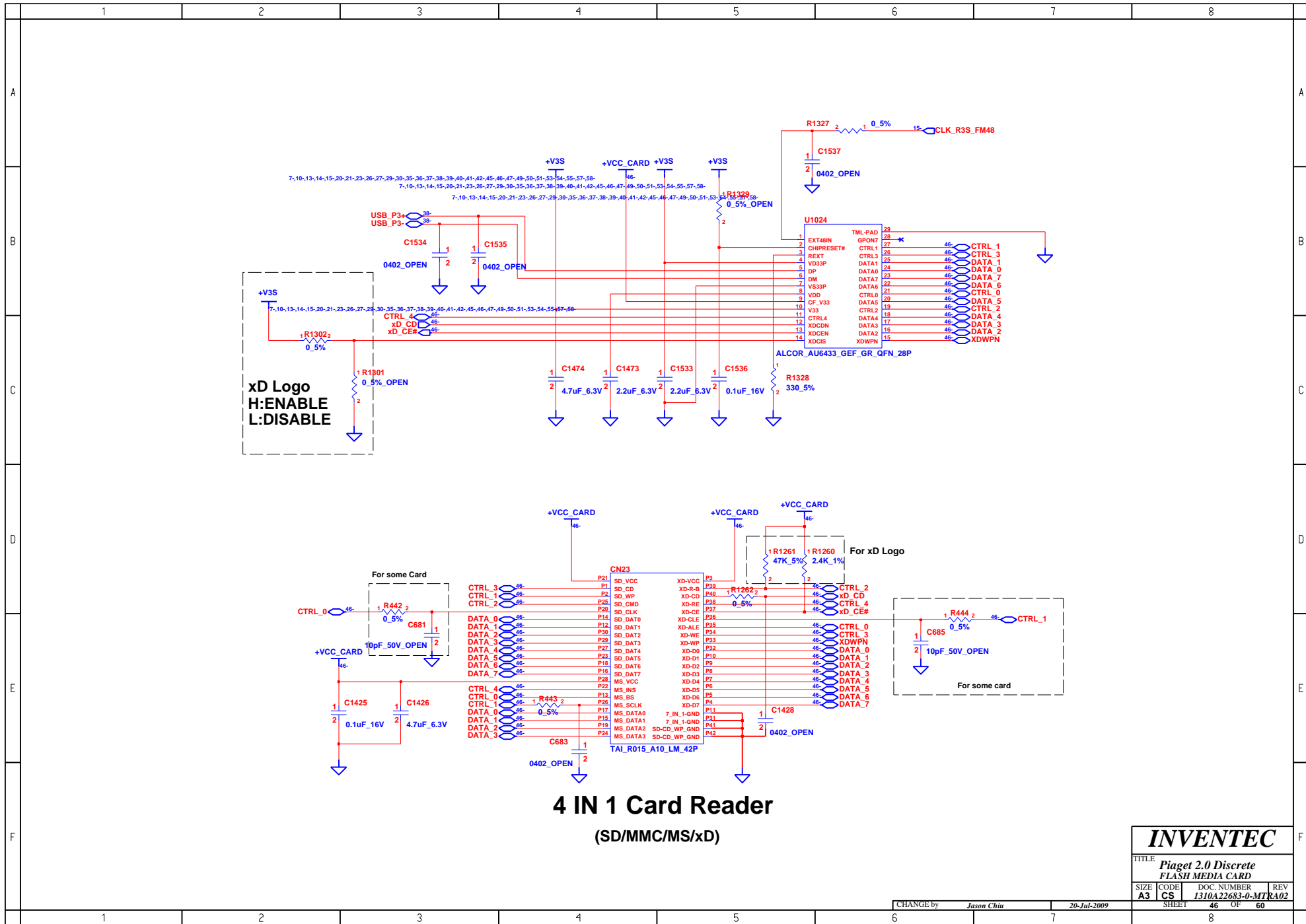
SIZE A3	CODE CS	DOC. NUMBER I310A22683-0-MT	REV R402
-------------------	-------------------	---------------------------------------	--------------------

CHANGE by *Jason Chiu* 20-Jul-2009

SHEET 44 OF 60



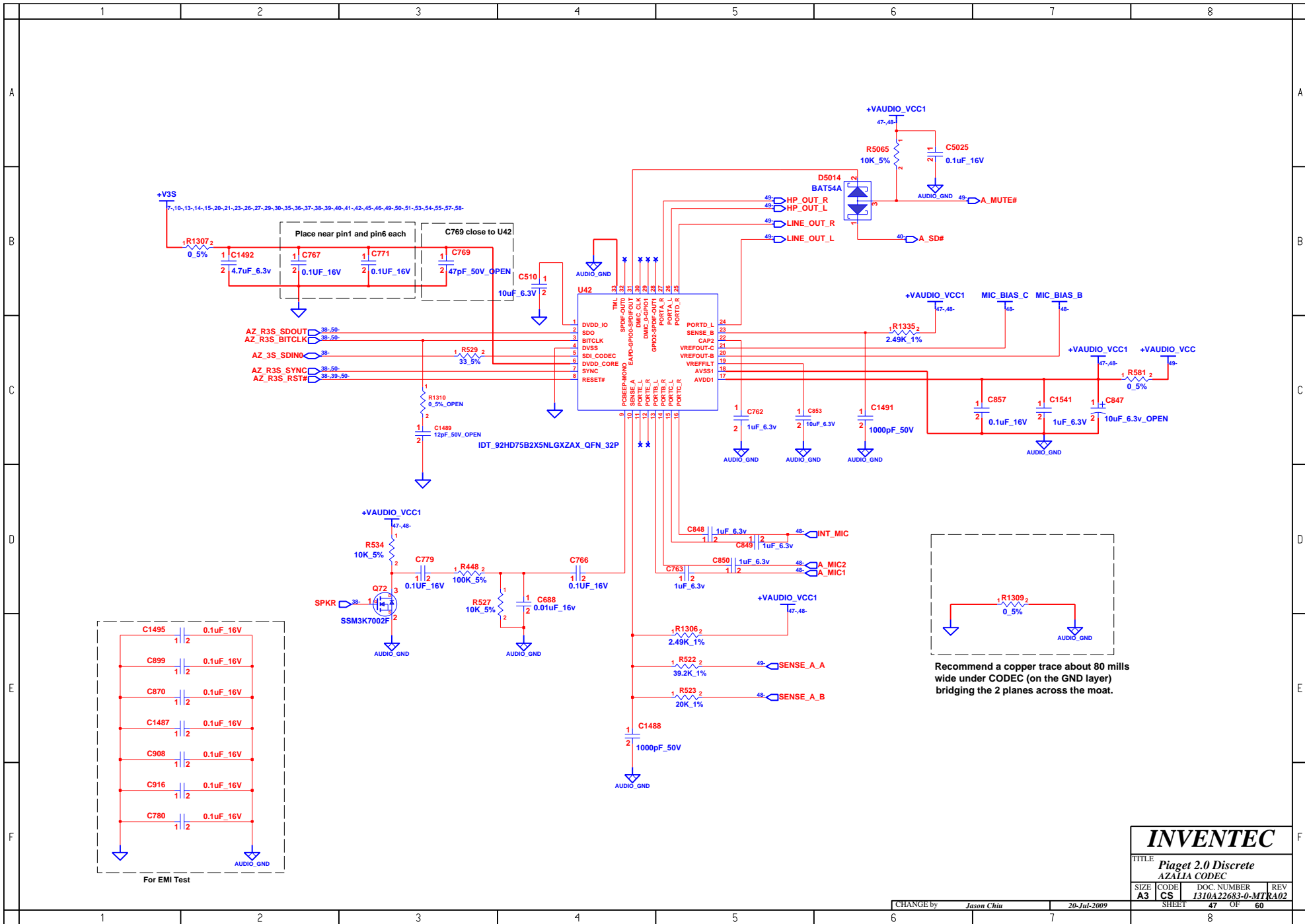
INVENTEC			
TITLE Piaget 2.0 Discrete			
TCM CONN			
SIZE	CODE	DOC. NUMBER	REV
A3	CS	1310A22683-0-MT	KA02
CHANGE by <i>Jason Chiu</i>		20-Jul-2009	SHEET 45 OF 60



INVENTEC

TITLE
**Piaget 2.0 Discrete
FLASH MEDIA CARD**

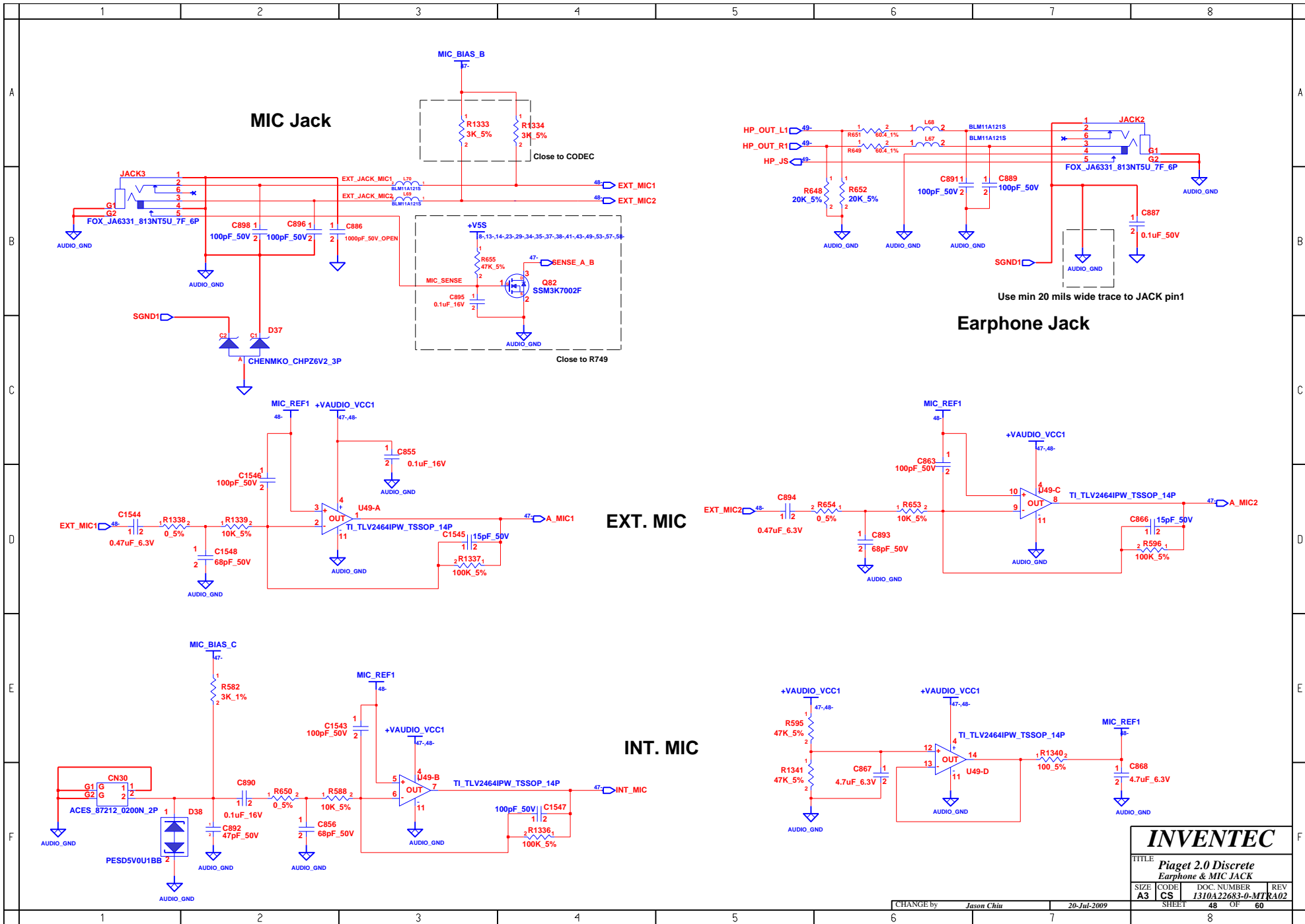
SIZE A3	CODE CS	DOC. NUMBER I310A2263-0-MTR	REV A02
-------------------	-------------------	---------------------------------------	-------------------



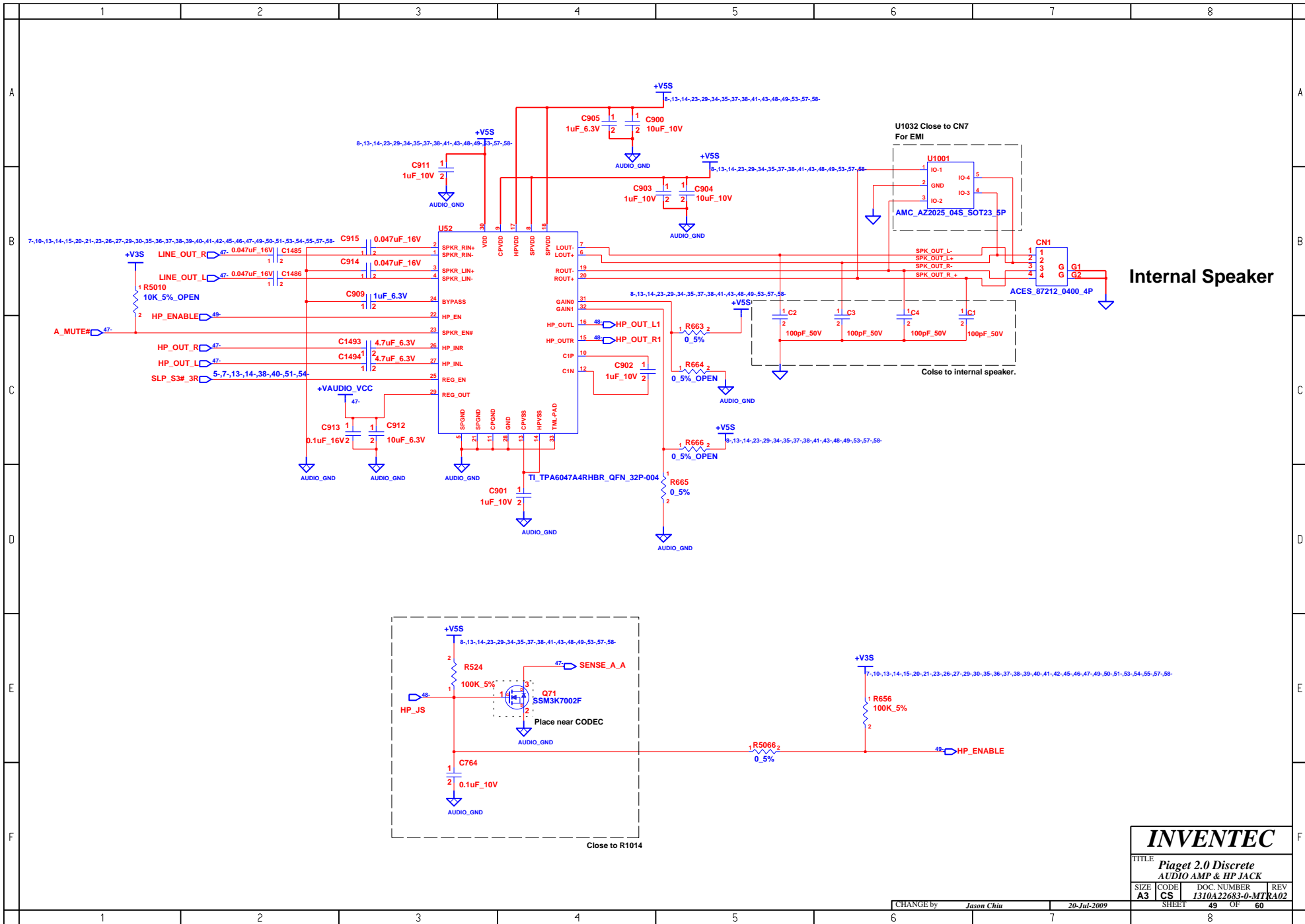
INVENTEC

TITLE
**Piaget 2.0 Discrete
 AZALIA CODEC**

SIZE A3	CODE CS	DOC. NUMBER I310A22683-0-MTR	REV A02
-------------------	-------------------	--	-------------------



INVENTEC			
TITLE <i>Piaget 2.0 Discrete Earphone & MIC JACK</i>			
SIZE A3	CODE CS	DOC NUMBER <i>1310A2263-0-MT</i>	REV RA02
CHANGE by <i>Jason Chiu</i>		20-Jul-2009	
SHEET 48		OF 60	

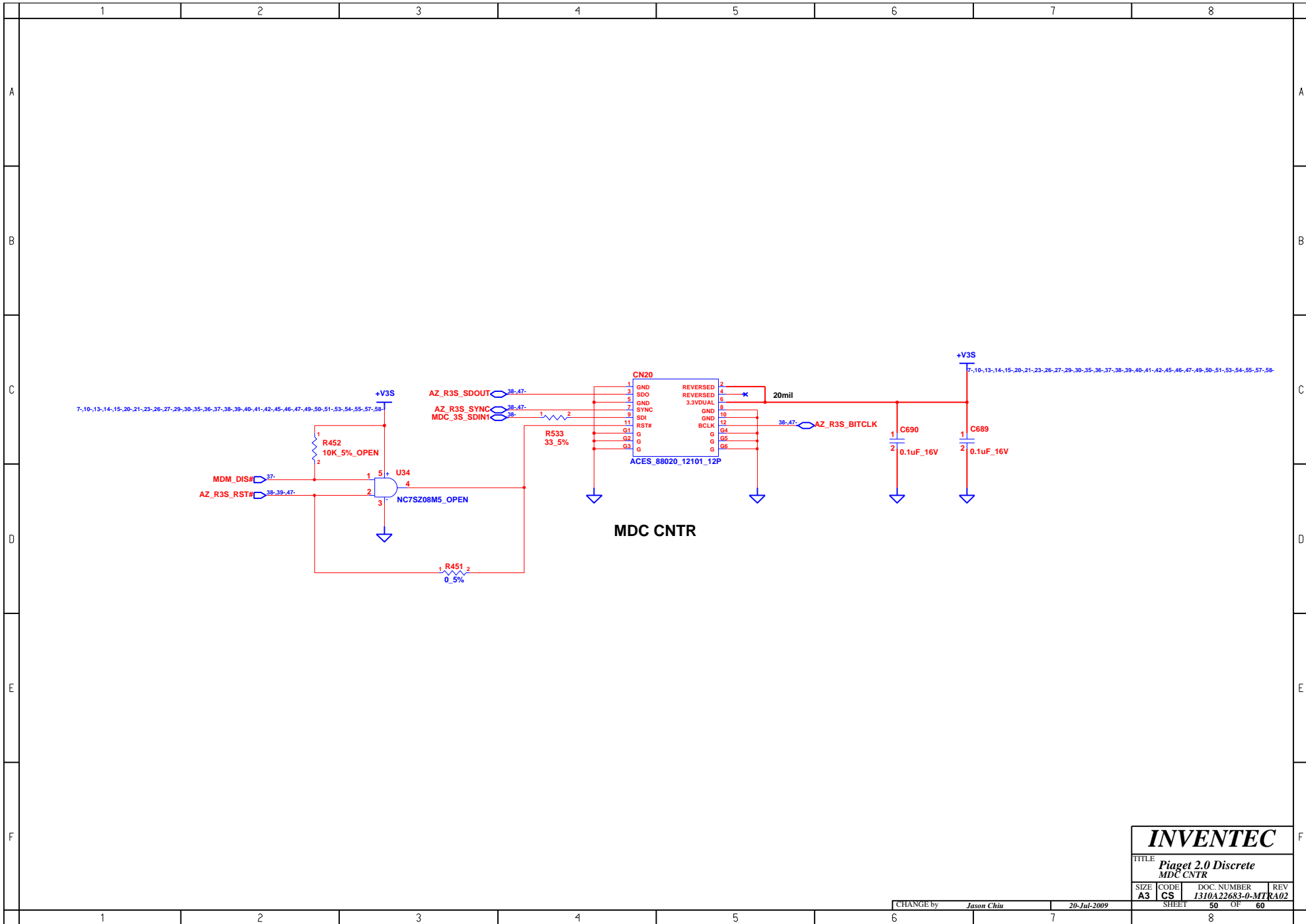


Internal Speaker

INVENTEC

TITLE			
Piaget 2.0 Discrete AUDIO AMP & HP JACK			
SIZE	CODE	DOC. NUMBER	REV
A3	CS	I310A2263-0-MT	RA02
CHANGE by		SHEET	
Jason Chiu		49 OF 60	

20-Jul-2009



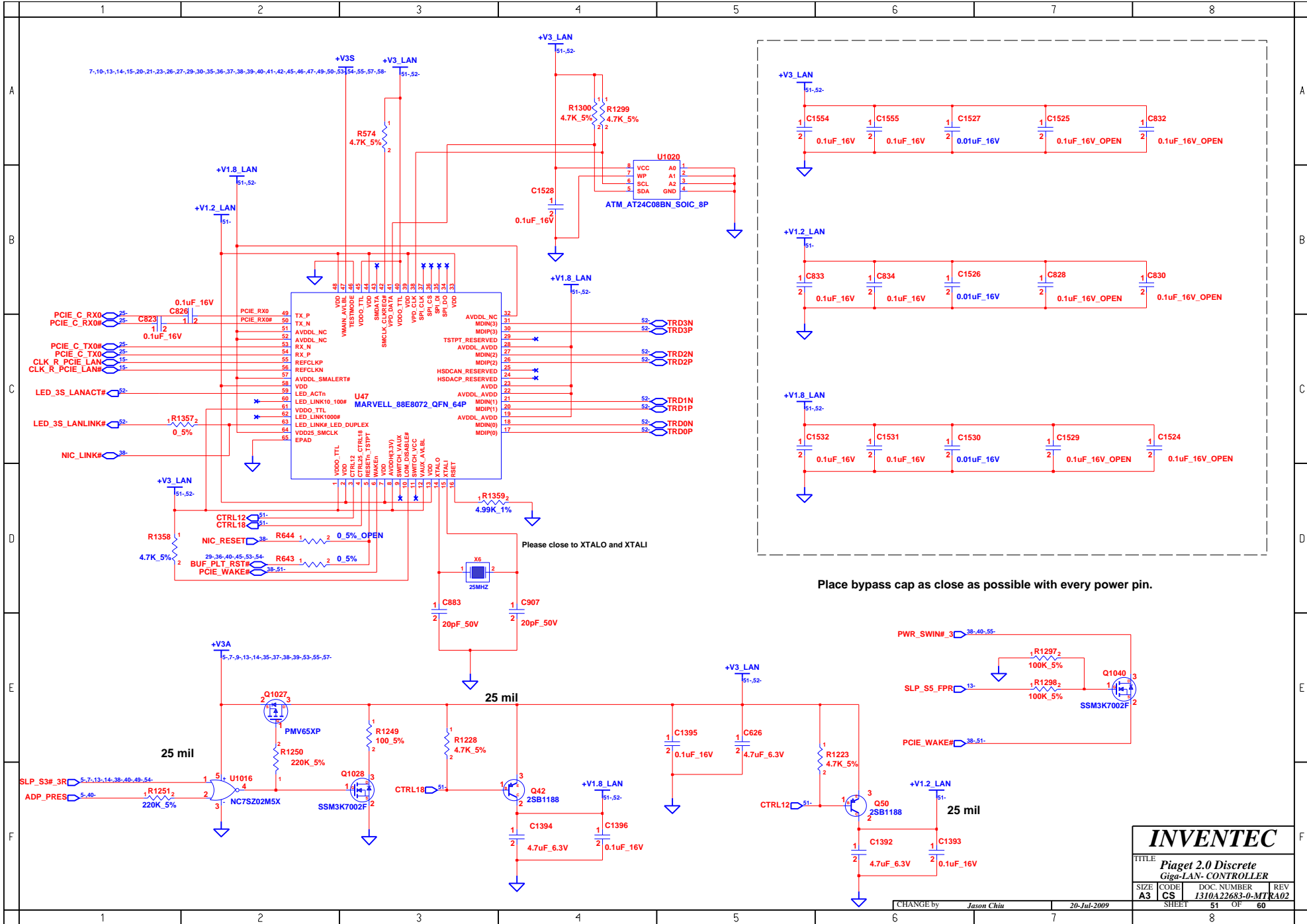
INVENTEC

TITLE *Piaget 2.0 Discrete*
MDC CNTR

SIZE A3	CODE CS	DOC. NUMBER 1310A22683-0-MTR	REV A02
-------------------	-------------------	--	-------------------

CHANGE by *Jason Chiu* 20-Jul-2009

SHEET 50 OF 60



Place bypass cap as close as possible with every power pin.

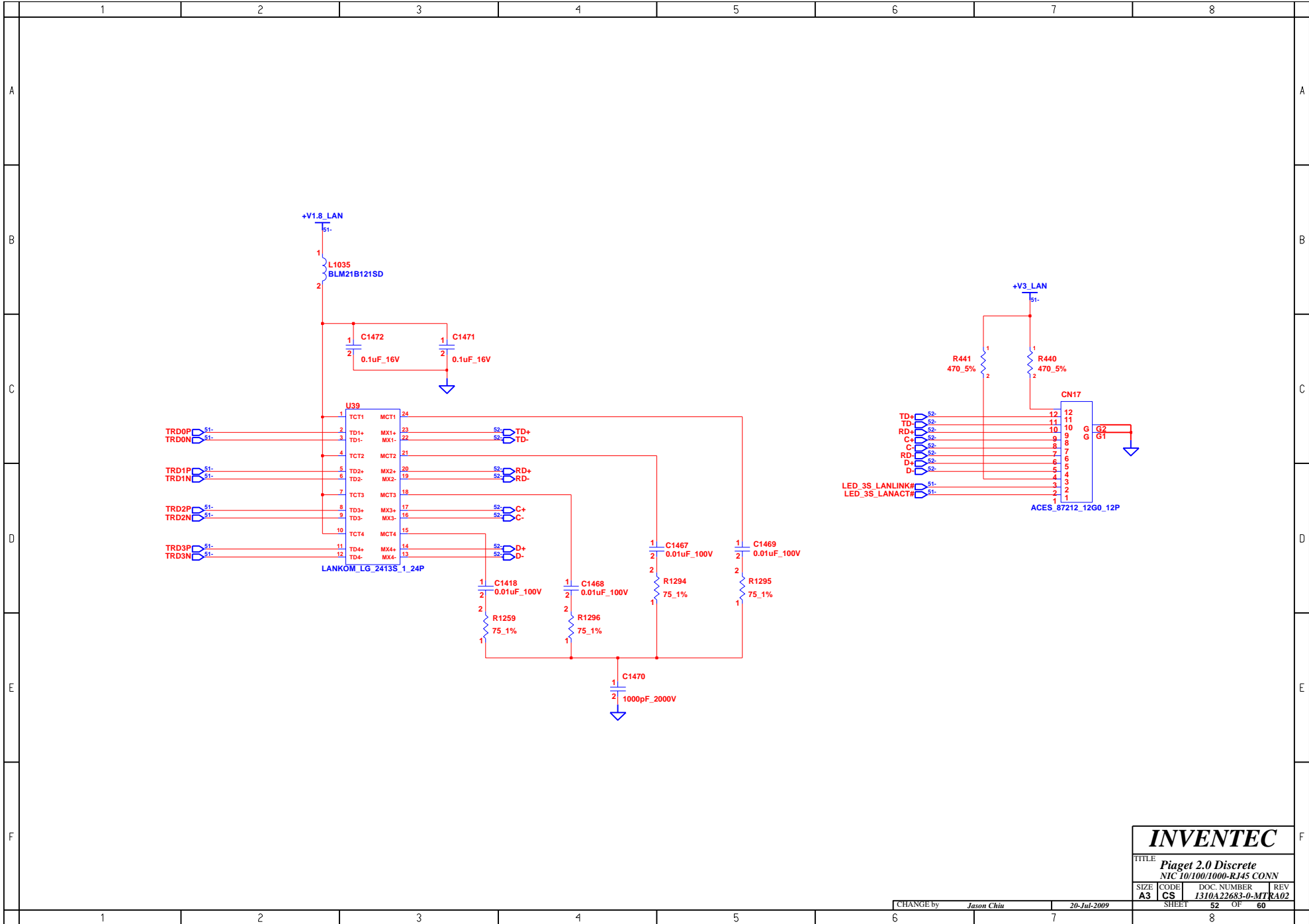
INVENTEC

TITLE
**Piaget 2.0 Discrete
 Giga-LAN- CONTROLLER**

SIZE A3	CODE CS	DOC NUMBER 1310A22683-0-MT	REV RA02
-------------------	-------------------	--------------------------------------	--------------------

SHEET 51 OF 60

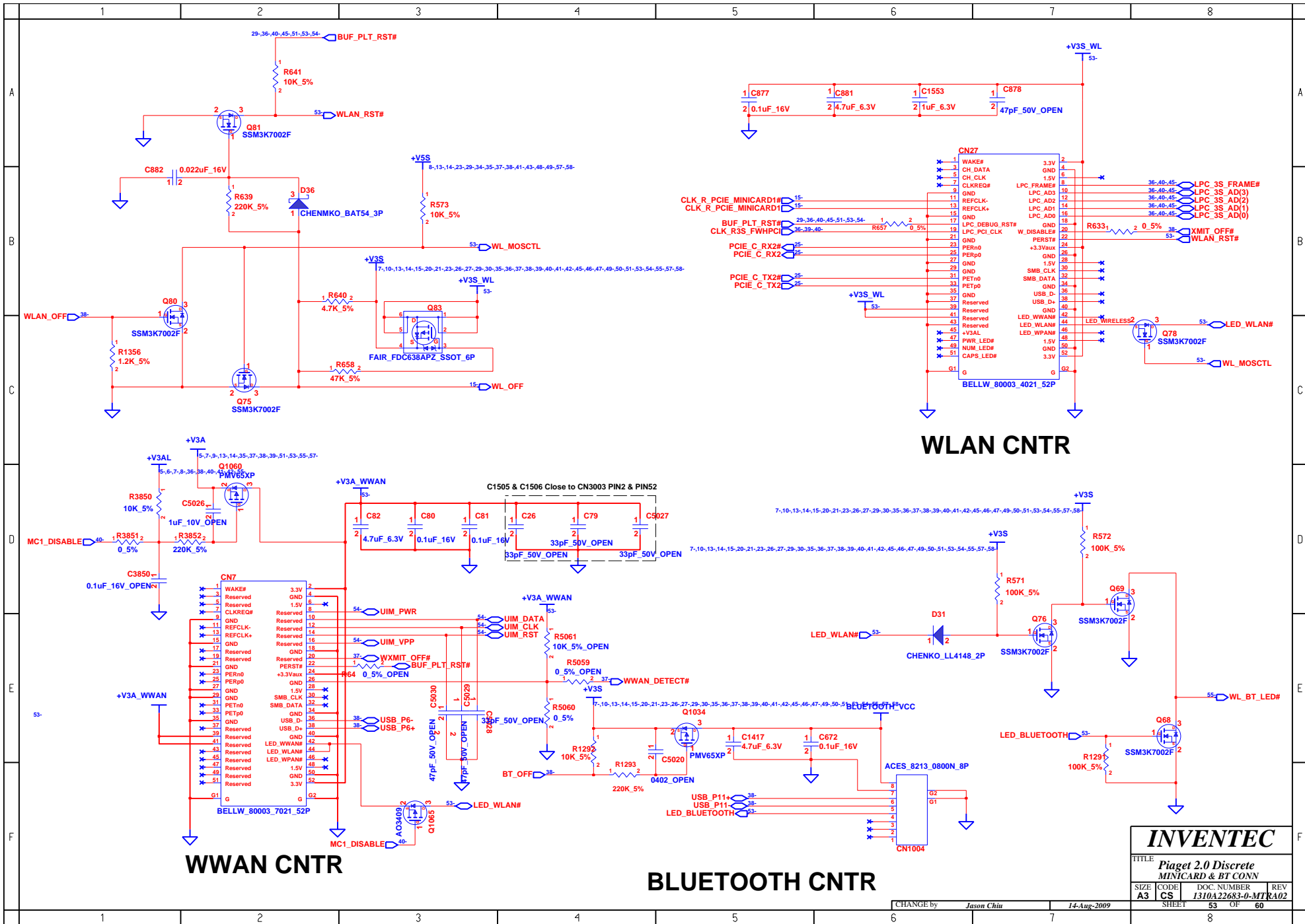
CHANGE by Jason Chiu 20-Jul-2009



INVENTEC

TITLE
Piaget 2.0 Discrete
 NIC 10/100/1000-RJ45 CONN

SIZE A3	CODE CS	DOC. NUMBER 1310A22683-0-MTR	REV A02
-------------------	-------------------	--	-------------------

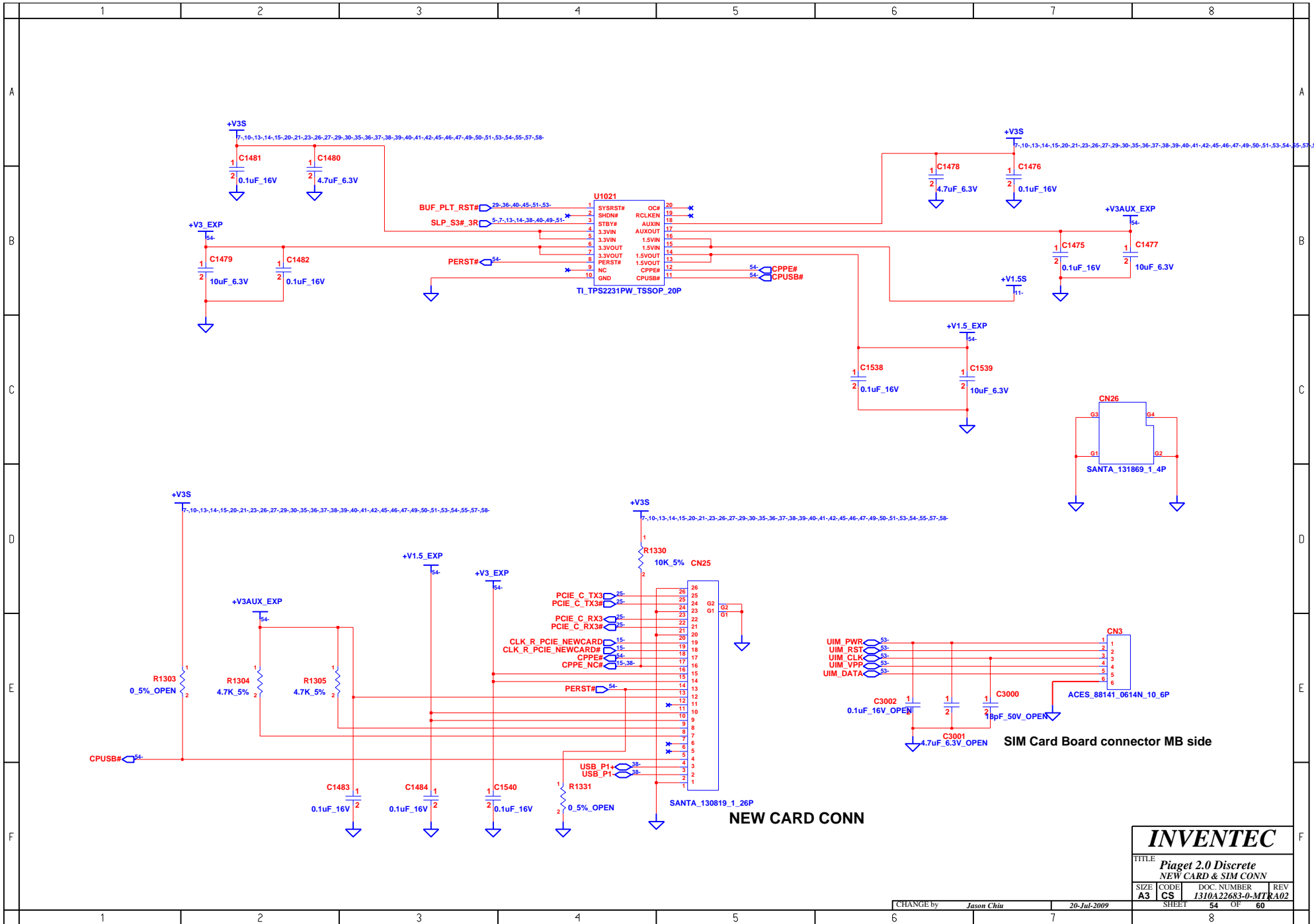


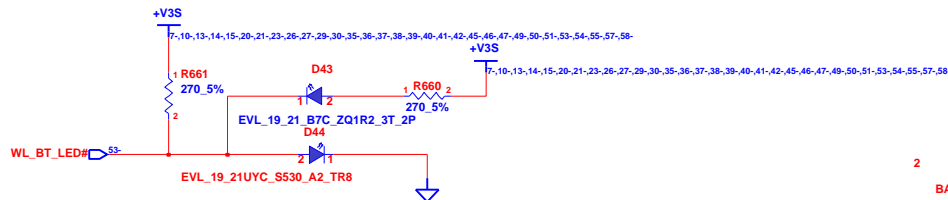
WLAN CNTR

WWAN CNTR

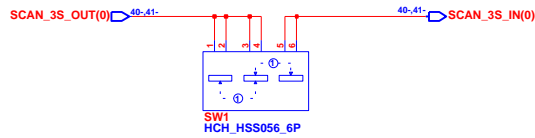
BLUETOOTH CNTR

INVENTEC			
TITLE Piaget 2.0 Discrete MINICARD & BT CONN			
SIZE A3	CODE CS	DOC NUMBER I310A2263-0-MT	REV R402
CHANGE by <i>Jason Chiu</i>		DATE <i>14-Aug-2009</i>	
SHEET 53		OF 60	

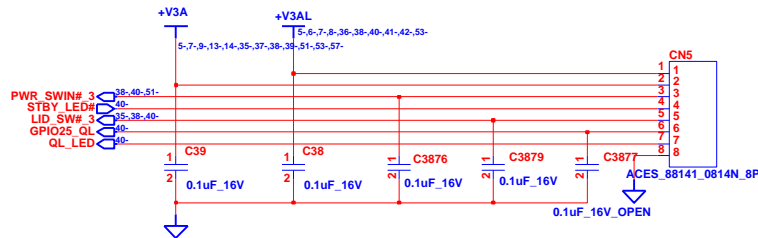




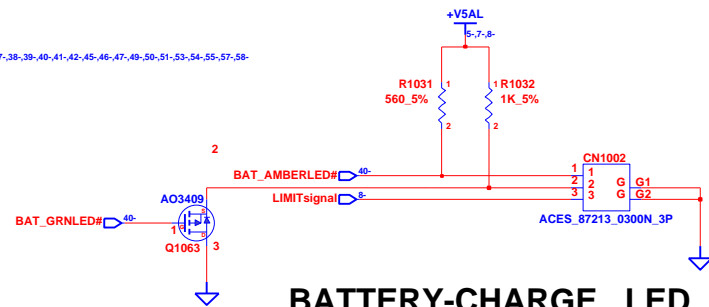
WIRELESS LED



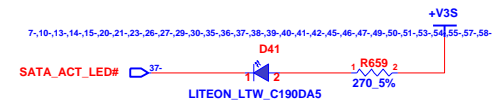
WIRELESS BUTTON



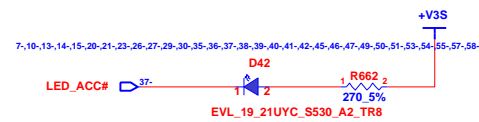
Swth Board & LED Board CONN



BATTERY-CHARGE LED



HDD & ODD LED



ACCELEROMTER LED

INVENTEC

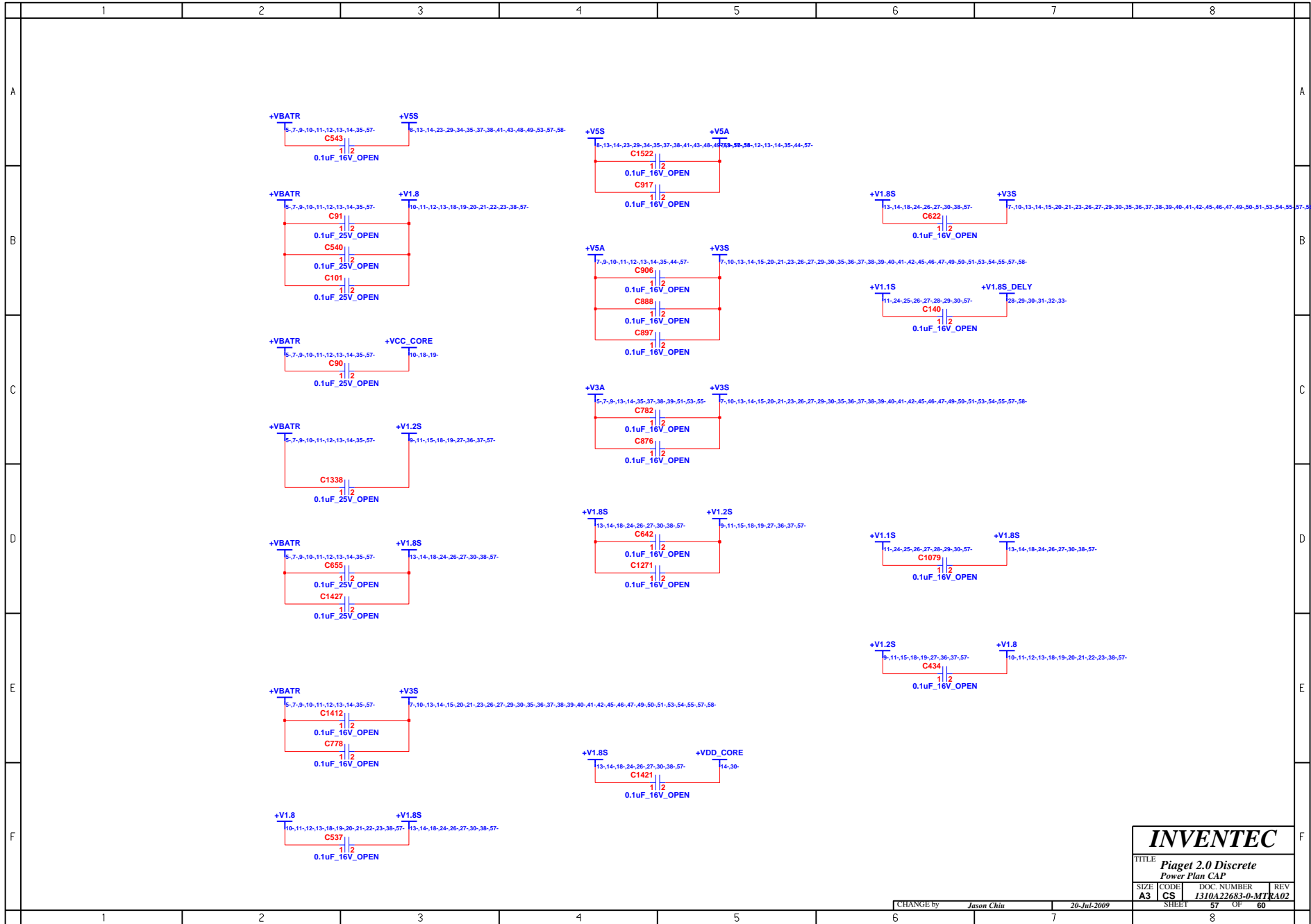
TITLE
**Piaget 2.0 Discrete
W/B & SW/B & LED/B CONN**

SIZE A3	CODE CS	DOC. NUMBER 1310A2263-0-MTR	REV A02
-------------------	-------------------	---------------------------------------	-------------------

CHANGE by *Jason Chiu* 20-Jul-2009

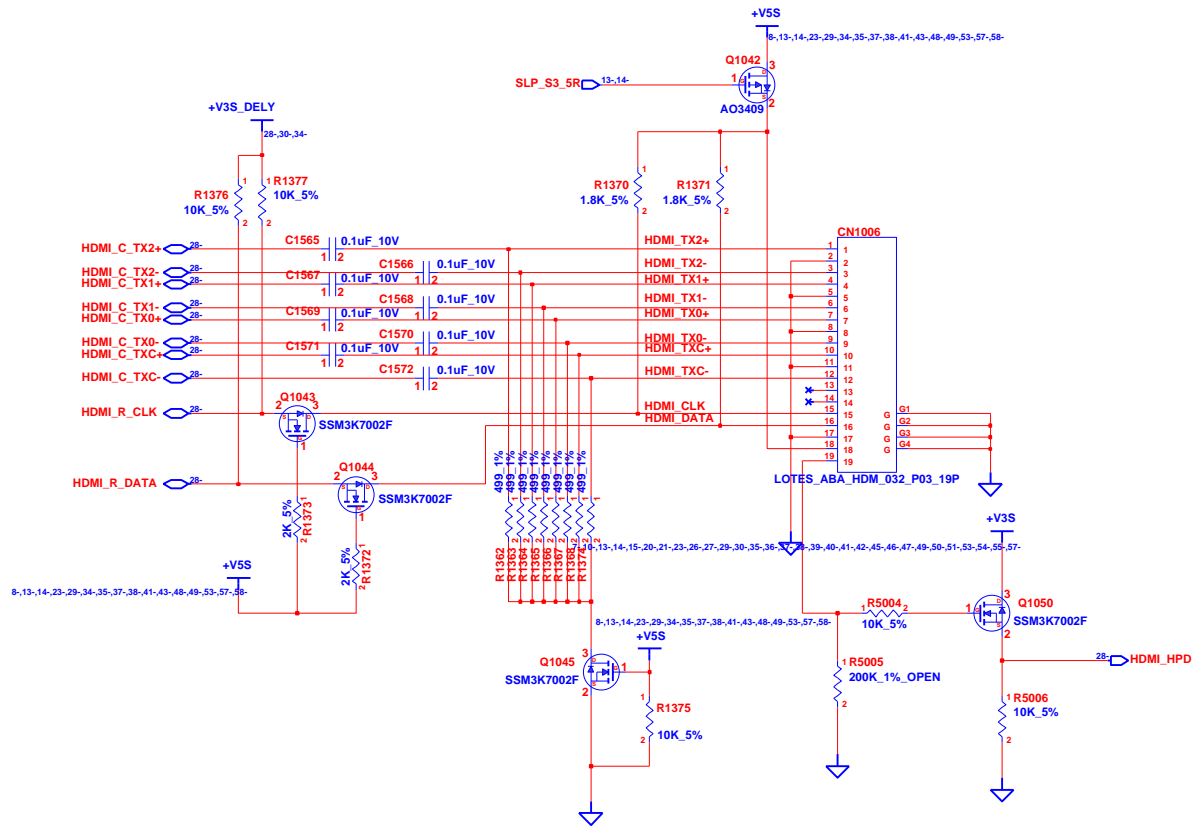
SHEET 55 OF 60





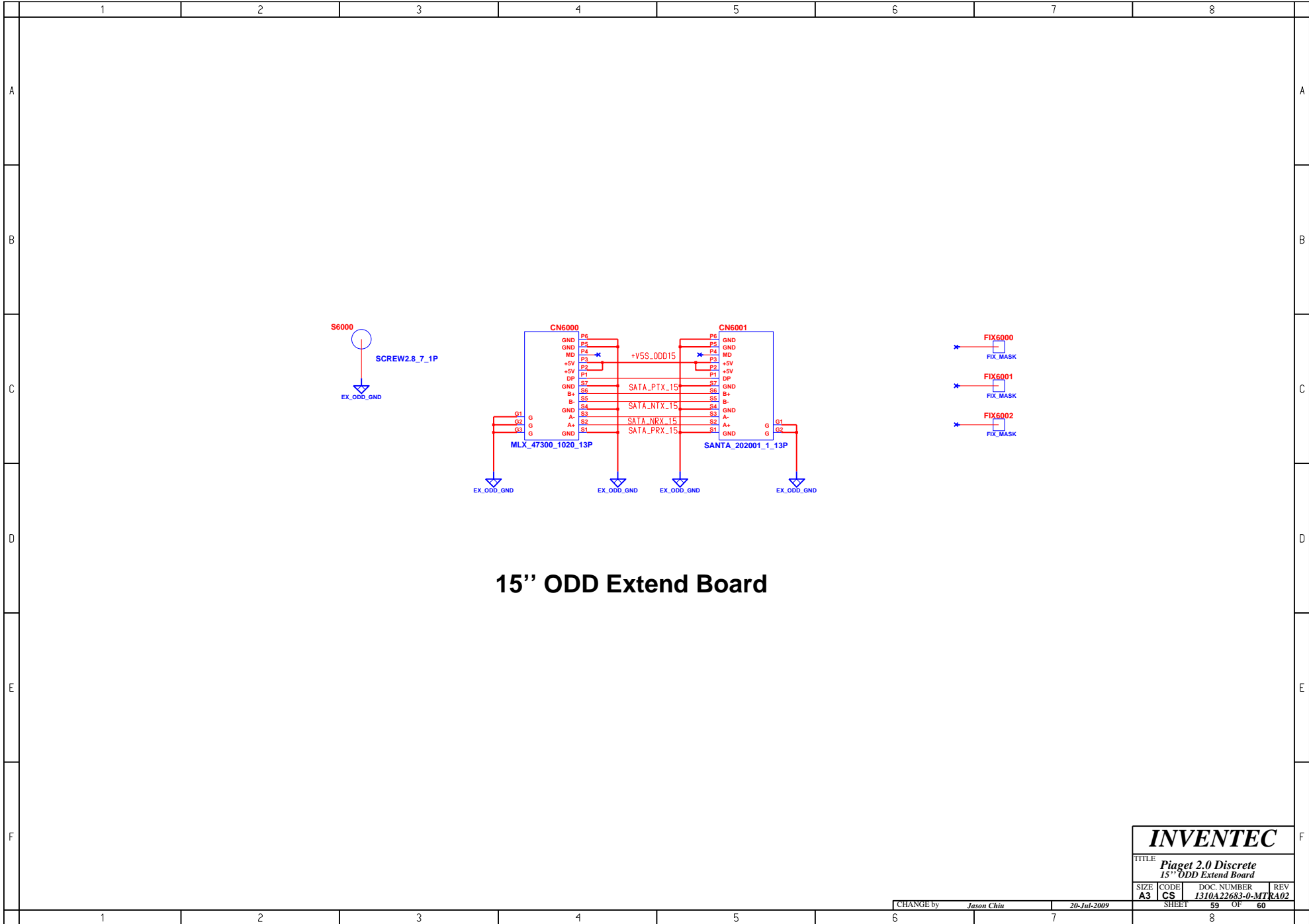
INVENTEC			
TITLE: <i>Piaget 2.0 Discrete</i>			
Power Plan CAP			
SIZE	CODE	DOC NUMBER	REV
A3	CS	1310A22683-0-MTRA02	
SHEET		OF	
57		60	

CHANGE by Jason Chiu 20-Jul-2009



HDMI CONN

INVENTEC			
TITLE <i>Piaget 2.0 Discrete</i>			
TCM			
SIZE A3	CODE CS	DOC. NUMBER <i>1310A22683-0-MTK</i>	REV A02
CHANGE by <i>Jason Chiu</i>		20-Jul-2009	
SHEET 58		OF 60	



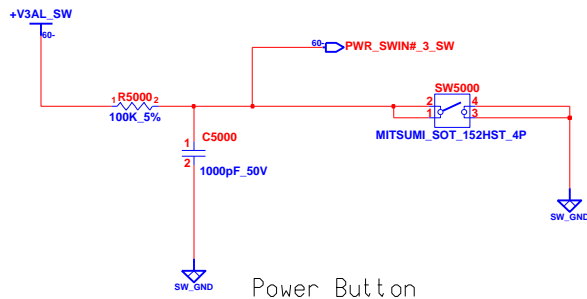
INVENTEC

TITLE **Piaget 2.0 Discrete
15" ODD Extend Board**

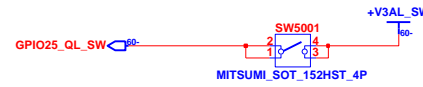
SIZE A3	CODE CS	DOC. NUMBER 1310A22683-0-MTR	REV A02
-------------------	-------------------	--	-------------------

CHANGE by *Jason Chiu* 20-Jul-2009

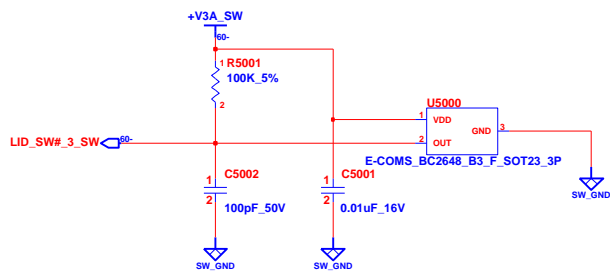
SHEET 59 OF 60



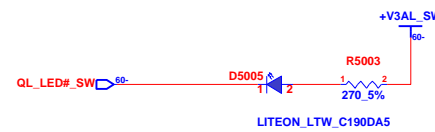
Power Button



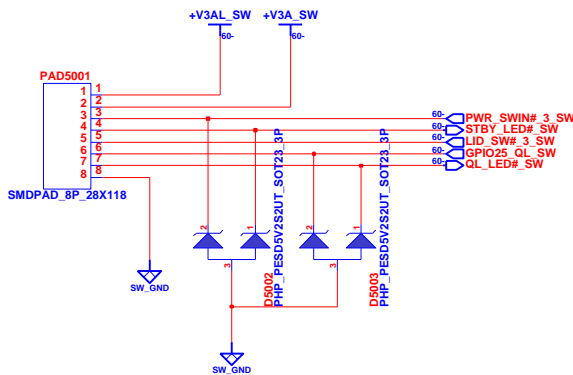
Switch & LED Board



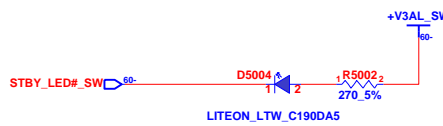
LID Switch



Quick Look LED



Switch & LED Board



Power/Standby LED

- FIX5000
- FIX_MASK
- FIX5001
- FIX_MASK
- FIX5002
- FIX_MASK
- FIX5003
- FIX_MASK
- FIX5004
- FIX_MASK
- FIX5005
- FIX_MASK

INVENTEC

TITLE			
Piaget 2.0 Discrete 15" QDD Extend Board			
SIZE	CODE	DOC. NUMBER	REV
A3	CS	1310A22683-0-MT	R02
SHEET		60	OF 60

CHANGE by Jason Chiu 20-Jul-2009