

CORDOBA-1N PLANAR

VER 1.01

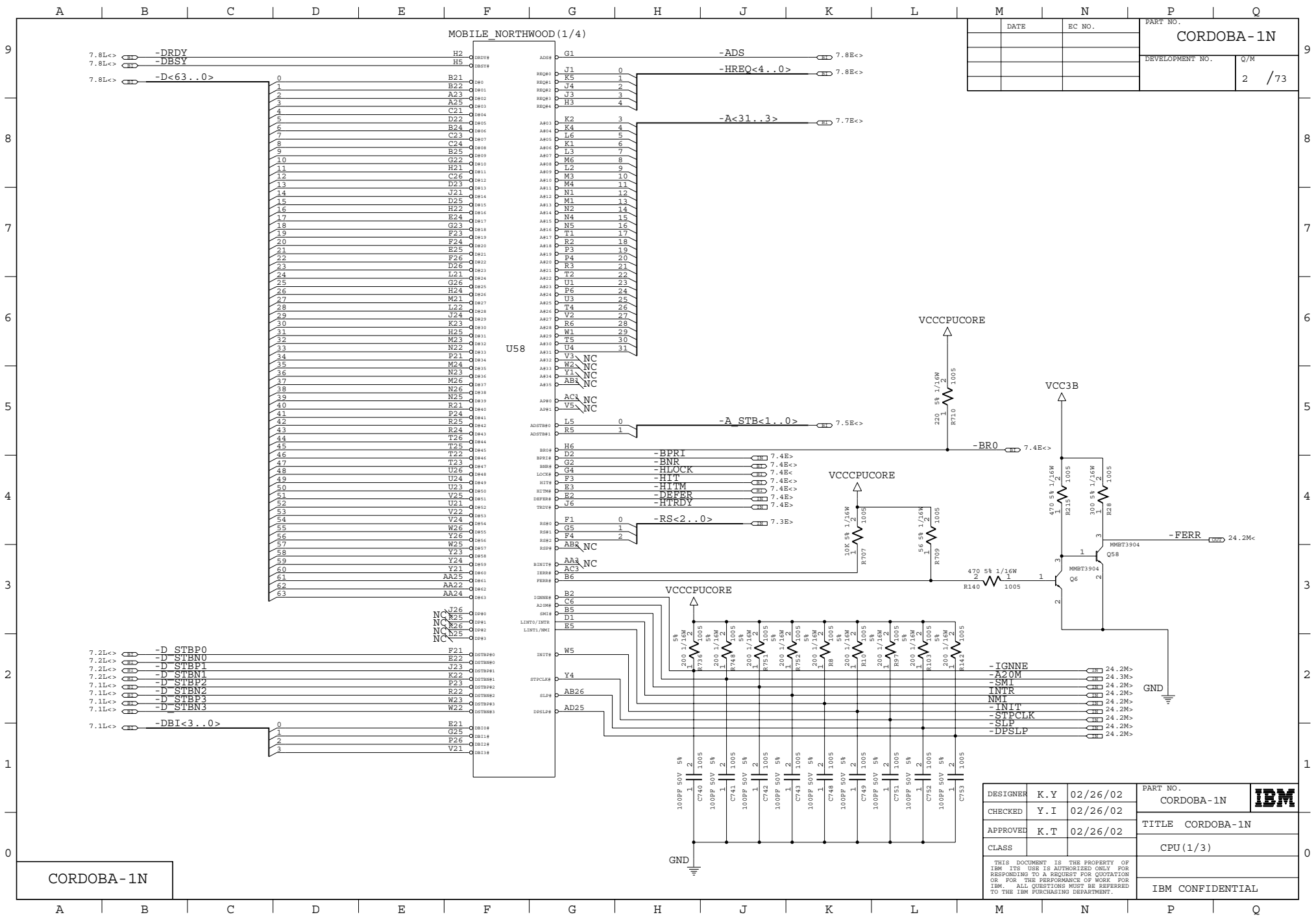
DATE	EC NO.	PART NO.	
		CORDOBA-1N	
		DEVELOPMENT NO.	Q/M
		1	/73

VER 1.00 02/22/2002
 VER 1.01 02/26/2002

- | | |
|-----------------------------|---------------------------------|
| 1. TITLE PAGE | 39. CARD BUS PCI1520 (1/2) |
| 2. CPU (1/3) | 40. CARD BUS PCI1520 (2/2) |
| 3. CPU (2/3) | 41. CARD BUS POWER CTRL |
| 4. CPU (3/3) | 42. CARD BUS SLOT |
| 5. EMC GROUNDING | 43. EMC DECOUPLING |
| 6. VCCCPUCORE DECOUPLING | 44. MINI PCI SLOT |
| 7. MCH-M (1/4) | 45. PCI BUS SWITCH |
| 8. MCH-M (2/4) | 46. DOCKING CONNECTOR |
| 9. MCH-M (3/4) | 47. FWH,RTC BATTERY |
| 10. MCH-M (4/4) | 48. H8S/2169A |
| 11. (BLANK) | 49. KEYBOARD CONNECTOR |
| 12. DDR SO DIMM CONNECTOR 0 | 50. TOUCH PAD CONNECTOR |
| 13. DDR SO DIMM CONNECTOR 1 | 51. MISC G/A (PMH-2) |
| 14. SSTL-2 TERMINATION | 52. POWER ON LOGIC |
| 15. SSTL-2 DECOUPLING | 53. SUPER I/O PC87392 |
| 16. CLOCK GEN(CK-TITAN) | 54. SERIAL INTERFACE |
| 17. MOBILITY M7D (1/5) | 55. EXT CRT INTERFACE |
| 18. MOBILITY M7D (2/5) | 56. TV-OUT |
| 19. MOBILITY M7D (3/5) | 57. I/O SUB CARD CONN,RJ11 |
| 20. MOBILITY M7D (4/5) | 58. THERMAL SENSOR |
| 21. MOBILITY M7D (5/5) | 59. I2CBUS/SMBUS/CRYPT |
| 22. LCD CLOCK MODULATOR | 60. FAN CONTROL |
| 23. LCD CONNECTOR | 61. DC/DC DC-IN AND CHARGER |
| 24. ICH3-M (1/3) | 62. DC/DC BATTERY INPUT |
| 25. ICH3-M (2/3) | 63. DC/DC TRICKLE CHARGER |
| 26. ICH3-M (3/3) | 64. DC/DC BATTERY MONITOR |
| 27. HDD I/F CONNECTOR | 65. DC/DC VCC3M/VCC5M (MAX1631) |
| 28. CLEAN SHEET BAY | 66. DC/DC VCCCPUCORE |
| 29. USB INTERFACE | 67. DC/DC MAX POWER CONTROL |
| 30. AUDIO AD1881A | 68. DC/DC VCCCPUVID |
| 31. AUDIO MISC | 69. DC/DC VCC1R8M,VCC2R5A |
| 32. AUDIO INT MIC | 70. DC/DC VCCVIDEOCORE,VCC1R25B |
| 33. AUDIO HP & LINE IN CONN | 71. DC/DC VCC1R5A,VCC1R5B |
| 34. AUDIO EXT MIC CONN | 72. DC/DC KOZAK-T3 |
| 35. AUDIO SPEAKER | 73. DC/DC LOAD SWITCH |
| 36. AUDIO HDP AMP AN17000A | |
| 37. ETHERNET CONNECTION | |
| 38. CDC CONNECTOR | |

CORDOBA-1N

DESIGNER	K.Y	02/26/02	PART NO.	CORDOBA-1N	IBM
CHECKED	Y.I	02/26/02	TITLE		
APPROVED	K.T	02/26/02	TITLE PAGE		
CLASS			THIS DOCUMENT IS THE PROPERTY OF IBM. ITS USE IS AUTHORIZED ONLY FOR RESPONDING TO A REQUEST FOR QUOTATION OR FOR THE PERFORMANCE OF WORK FOR IBM. ALL QUESTIONS MUST BE REFERRED TO THE IBM PURCHASING DEPARTMENT.		
			IBM CONFIDENTIAL		

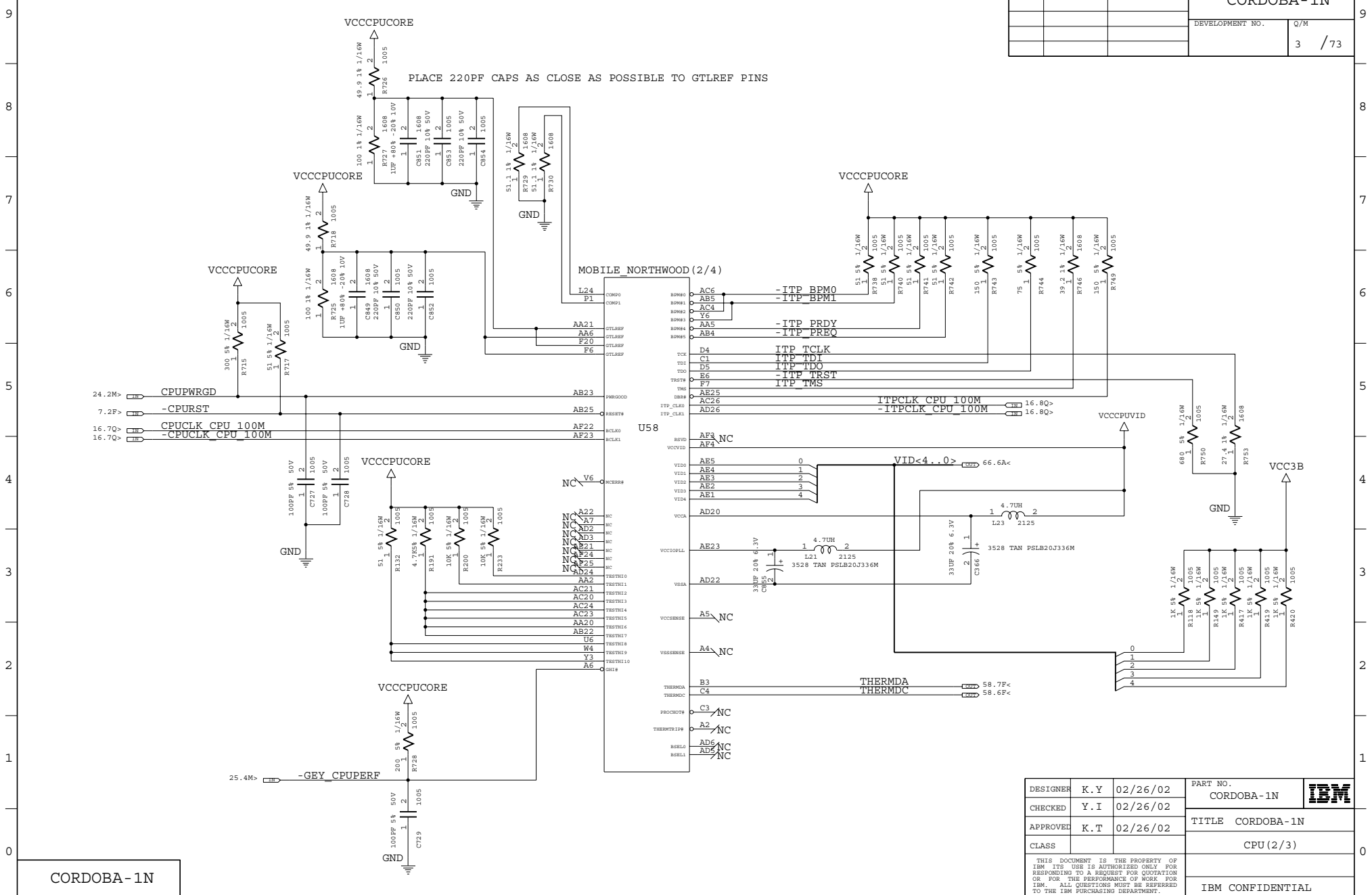


DATE	EC NO.	PART NO.	
		CORDOBA-1N	
DEVELOPMENT NO.		Q/M	
		2 / 73	

DESIGNER	K.Y	02/26/02	PART NO.	CORDOBA-1N	IBM
CHECKED	Y.I	02/26/02	TITLE	CORDOBA-1N	
APPROVED	K.T	02/26/02	CLASS	CPU (1/3)	
THIS DOCUMENT IS THE PROPERTY OF IBM. ITS USE IS AUTHORIZED ONLY FOR RESPONDING TO A REQUEST FOR QUOTATION OR FOR THE PERFORMANCE OF WORK FOR IBM. ALL QUESTIONS MUST BE REFERRED TO THE IBM PURCHASING DEPARTMENT.					IBM CONFIDENTIAL

CORDOBA-1N

DATE	EC NO.	PART NO.
		CORDOBA-1N
		DEVELOPMENT NO. 0/M
		3 / 73



CORDOBA-1N

DESIGNER	K.Y	02/26/02	PART NO.	CORDOBA-1N	
CHECKED	Y.I	02/26/02	TITLE	CORDOBA-1N	
APPROVED	K.T	02/26/02		CPU (2/3)	
CLASS			THIS DOCUMENT IS THE PROPERTY OF IBM. ITS USE IS AUTHORIZED ONLY FOR RESPONDING TO A REQUEST FOR QUOTATION OR FOR THE PERFORMANCE OF WORK FOR IBM. ALL QUESTIONS MUST BE REFERRED TO THE IBM PURCHASING DEPARTMENT.		
					IBM CONFIDENTIAL

A B C D E F G H J K L M N P Q

9

8

7

6

5

4

3

2

1

0

DATE	EC NO.	PART NO.	
		CORDOBA-1N	
		DEVELOPMENT NO.	Q/M
		5	/73

9

8

7

6

5

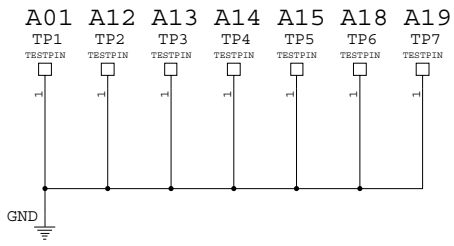
4

3

2

1

0



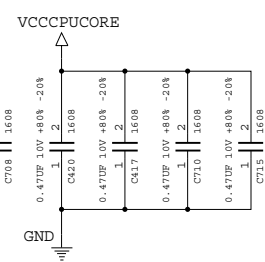
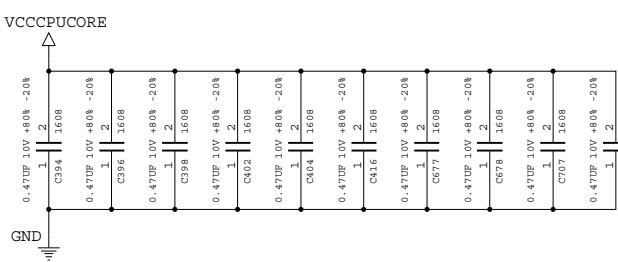
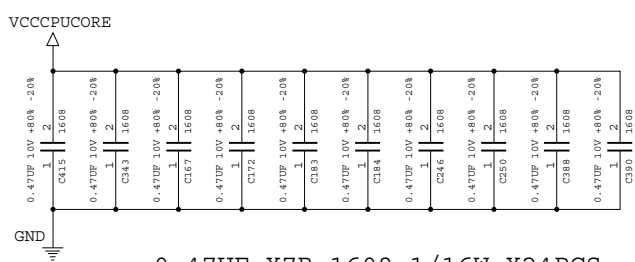
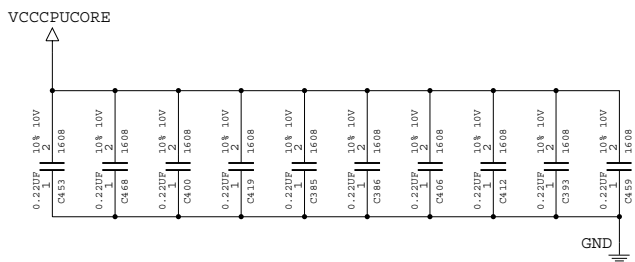
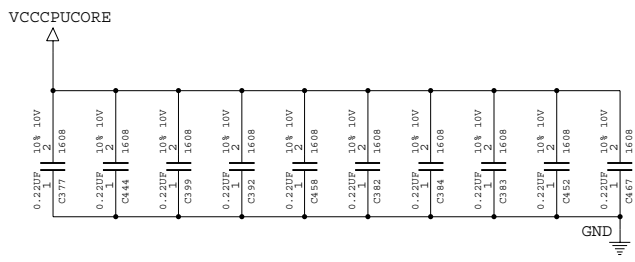
CORDOBA-1N

DESIGNER	K.Y	02/26/02	PART NO.	CORDOBA-1N	IBM
CHECKED	Y.I	02/26/02	TITLE		
APPROVED	K.T	02/26/02	CLASS	EMC GROUNDING	
THIS DOCUMENT IS THE PROPERTY OF IBM. ITS USE IS AUTHORIZED ONLY FOR RESPONDING TO A REQUEST FOR QUOTATION OR FOR THE PERFORMANCE OF WORK FOR IBM. ALL QUESTIONS MUST BE REFERRED TO THE IBM PURCHASING DEPARTMENT.					IBM CONFIDENTIAL

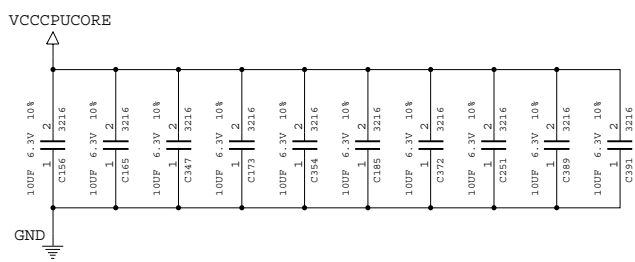
A B C D E F G H J K L M N P Q

A B C D E F G H J K L M N P Q

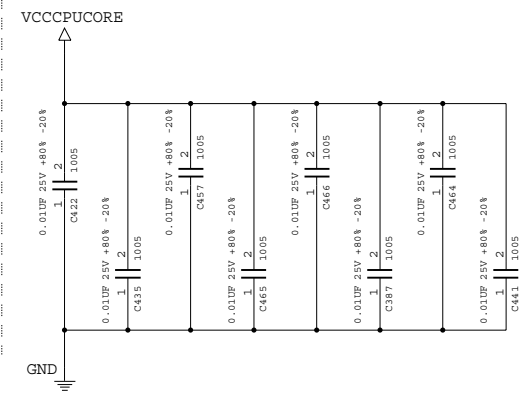
DATE	EC NO.	PART NO.	
		CORDOBA-1N	
		DEVELOPMENT NO.	Q/M
		6	/73



0.47UF X7R 1608 1/16W X24PCS



10UF X7R 3216 1/16W X10PCS



CORDOBA-1N

DESIGNER	K.Y	02/26/02	PART NO.	CORDOBA-1N	
CHECKED	Y.I	02/26/02	TITLE	CORDOBA-1N	
APPROVED	K.T	02/26/02	VCCCPUCORE DECOUPLING		
CLASS					
THIS DOCUMENT IS THE PROPERTY OF IBM. ITS USE IS AUTHORIZED ONLY FOR RESPONDING TO A REQUEST FOR QUOTATION OR FOR THE PERFORMANCE OF WORK FOR IBM. ALL QUESTIONS MUST BE REFERRED TO THE IBM PURCHASING DEPARTMENT.					
					IBM CONFIDENTIAL

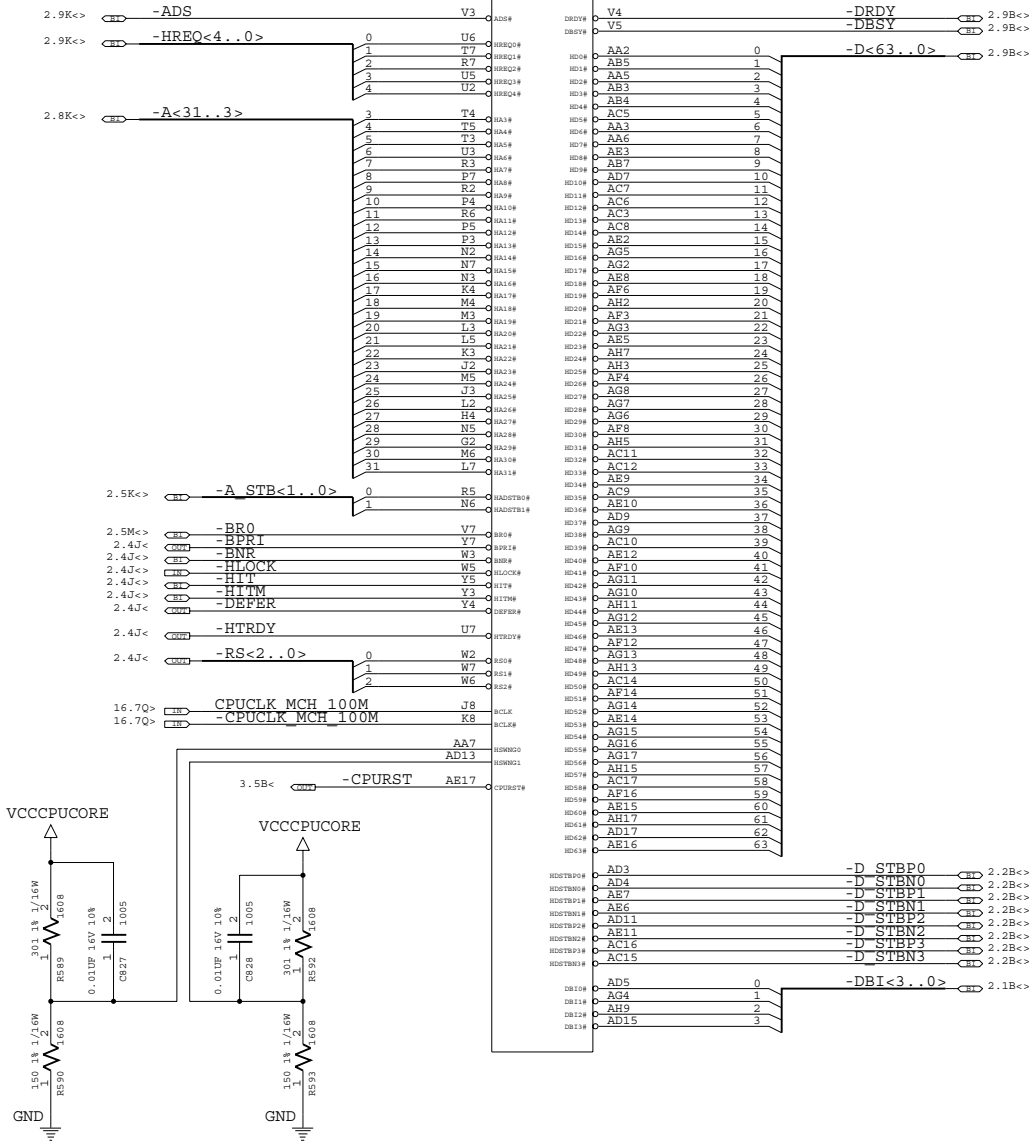
A B C D E F G H J K L M N P Q

DATE	EC NO.	PART NO.	
		CORDOBA-1N	
		DEVELOPMENT NO.	Q/M
		7	/73

9
8
7
6
5
4
3
2
1
0

9
8
7
6
5
4
3
2
1
0

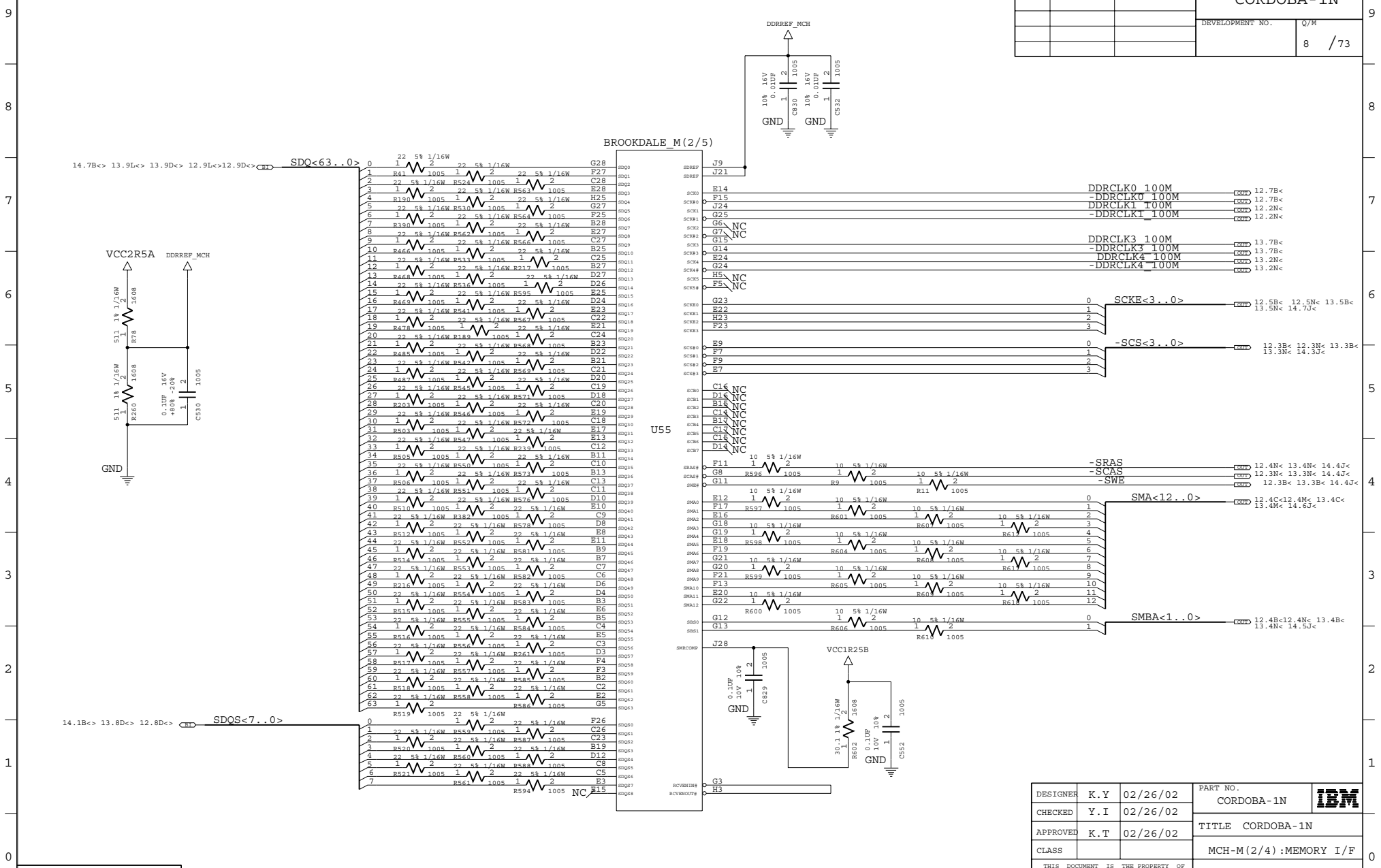
U55
BROOKDALE M(1/5)



CORDOBA-1N

DESIGNER	K.Y	02/26/02	PART NO.	CORDOBA-1N	
CHECKED	Y.I	02/26/02	TITLE	CORDOBA-1N	
APPROVED	K.T	02/26/02	MCH-M(1/4):HOST I/F		
THIS DOCUMENT IS THE PROPERTY OF IBM. ITS USE IS AUTHORIZED ONLY FOR RESPONDING TO A REQUEST FOR QUOTATION OR FOR THE PERFORMANCE OF WORK FOR IBM. ALL QUESTIONS MUST BE REFERRED TO THE IBM PURCHASING DEPARTMENT.					IBM CONFIDENTIAL

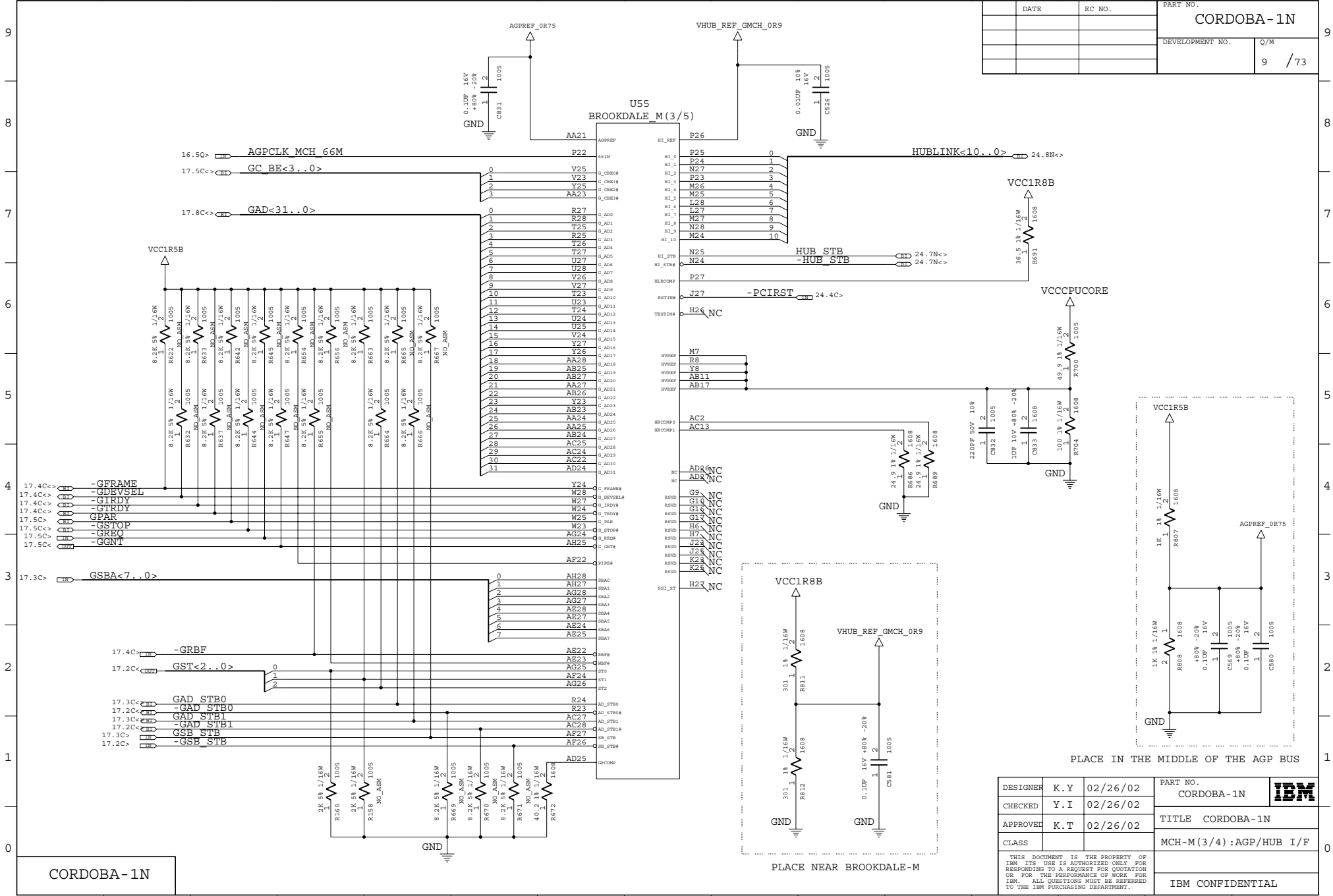
DATE	BC NO.	PART NO.	
		CORDOBA-1N	
		DEVELOPMENT NO.	Q/M
			8 / 73



CORDOBA-1N

DESIGNER	K.Y	02/26/02	PART NO.	CORDOBA-1N	
CHECKED	Y.I	02/26/02	TITLE	CORDOBA-1N	
APPROVED	K.T	02/26/02		MCH-M(2/4):MEMORY I/F	
CLASS					
THIS DOCUMENT IS THE PROPERTY OF IBM. ITS USE IS AUTHORIZED ONLY FOR RESPONDING TO A REQUEST FOR QUOTATION OR FOR THE PERFORMANCE OF WORK FOR IBM. ALL QUESTIONS MUST BE REFERRED TO THE IBM PURCHASING DEPARTMENT.					IBM CONFIDENTIAL

DATE		RC NO.		PART NO.	
				CORDOBA-1N	
DEVELOPMENT NO.				O/M	
				9 / 73	



CORDOBA-1N

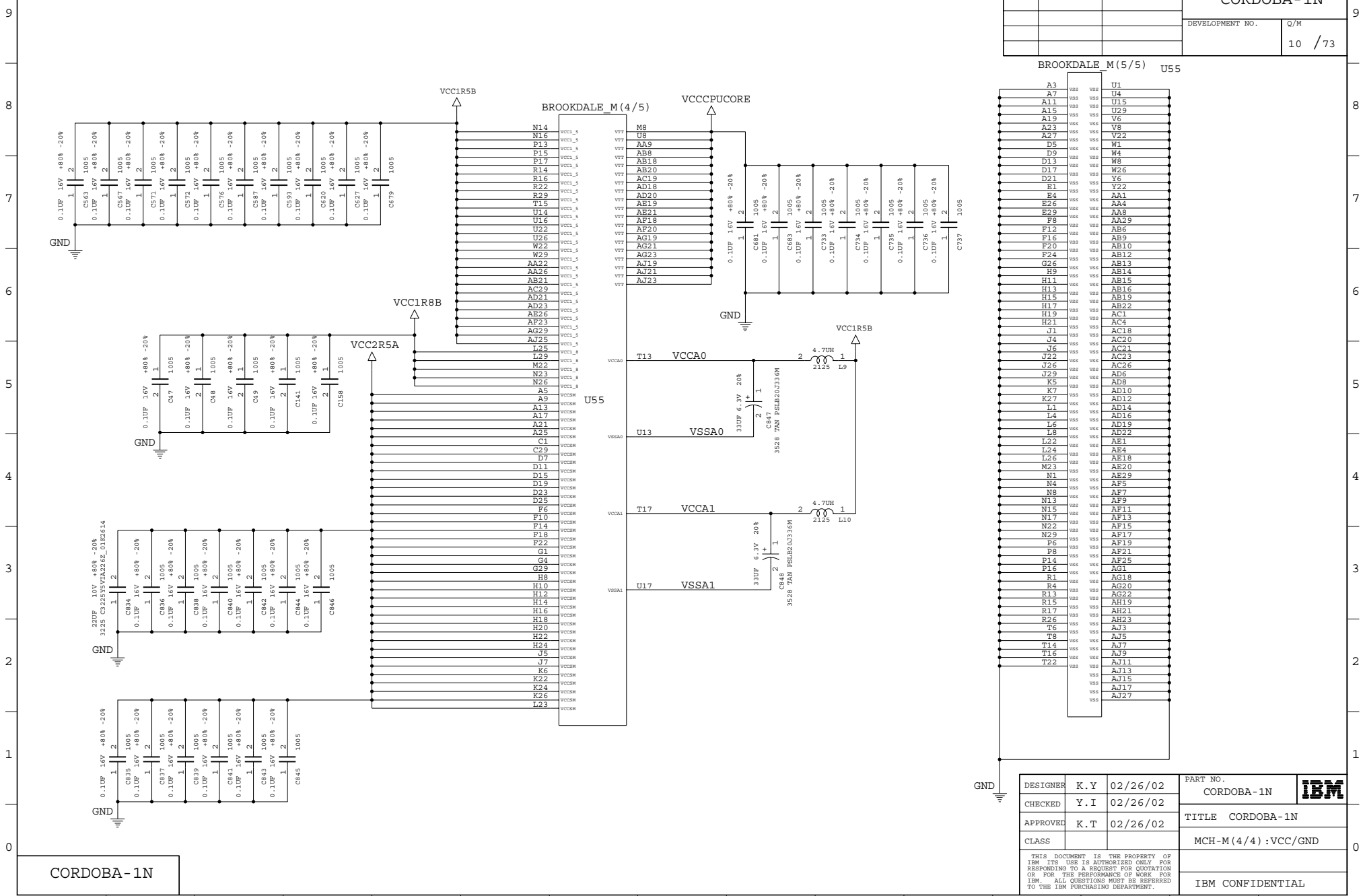
PLACE IN THE MIDDLE OF THE AGP BUS

PLACE NEAR BROOKDALE-M

DESIGNER	K.Y	02/26/02	PART NO.	CORDOBA-1N	
CHECKED	Y.I	02/26/02	TITLE	CORDOBA-1N	
APPROVED	K.T	02/26/02	MCH-M(3/4):AGP/HUB I/F		
CLASS					
THIS DOCUMENT IS THE PROPERTY OF IBM. ITS USE IS AUTHORIZED ONLY FOR RESPONDING TO A REQUEST FOR QUOTATION OR FOR THE PERFORMANCE OF WORK FOR IBM. ALL QUESTIONS MUST BE REFERRED TO THE IBM PURCHASING DEPARTMENT.					
IBM CONFIDENTIAL					

A B C D E F G H J K L M N P Q

DATE	EC NO.	PART NO.	
		CORDOBA-1N	
		DEVELOPMENT NO.	Q/M
		10	/73



CORDOBA-1N

DESIGNER	K.Y	02/26/02	PART NO.	CORDOBA-1N	IBM
CHECKED	Y.I	02/26/02	TITLE	CORDOBA-1N	
APPROVED	K.T	02/26/02	MCH-M(4/4) : VCC/GND		
CLASS			THIS DOCUMENT IS THE PROPERTY OF IBM. ITS USE IS AUTHORIZED ONLY FOR RESPONDING TO A REQUEST FOR QUOTATION OR FOR THE PERFORMANCE OF WORK FOR IBM. ALL QUESTIONS MUST BE REFERRED TO THE IBM PURCHASING DEPARTMENT.		
					IBM CONFIDENTIAL

A B C D E F G H J K L M N P Q

9

8

7

6

5

4

3

2

1

0

DATE		EC NO.		PART NO.	
				CORDOBA-1N	
DEVELOPMENT NO.				Q/M	
11				/73	

9

8

7

6

5

4

3


2

1

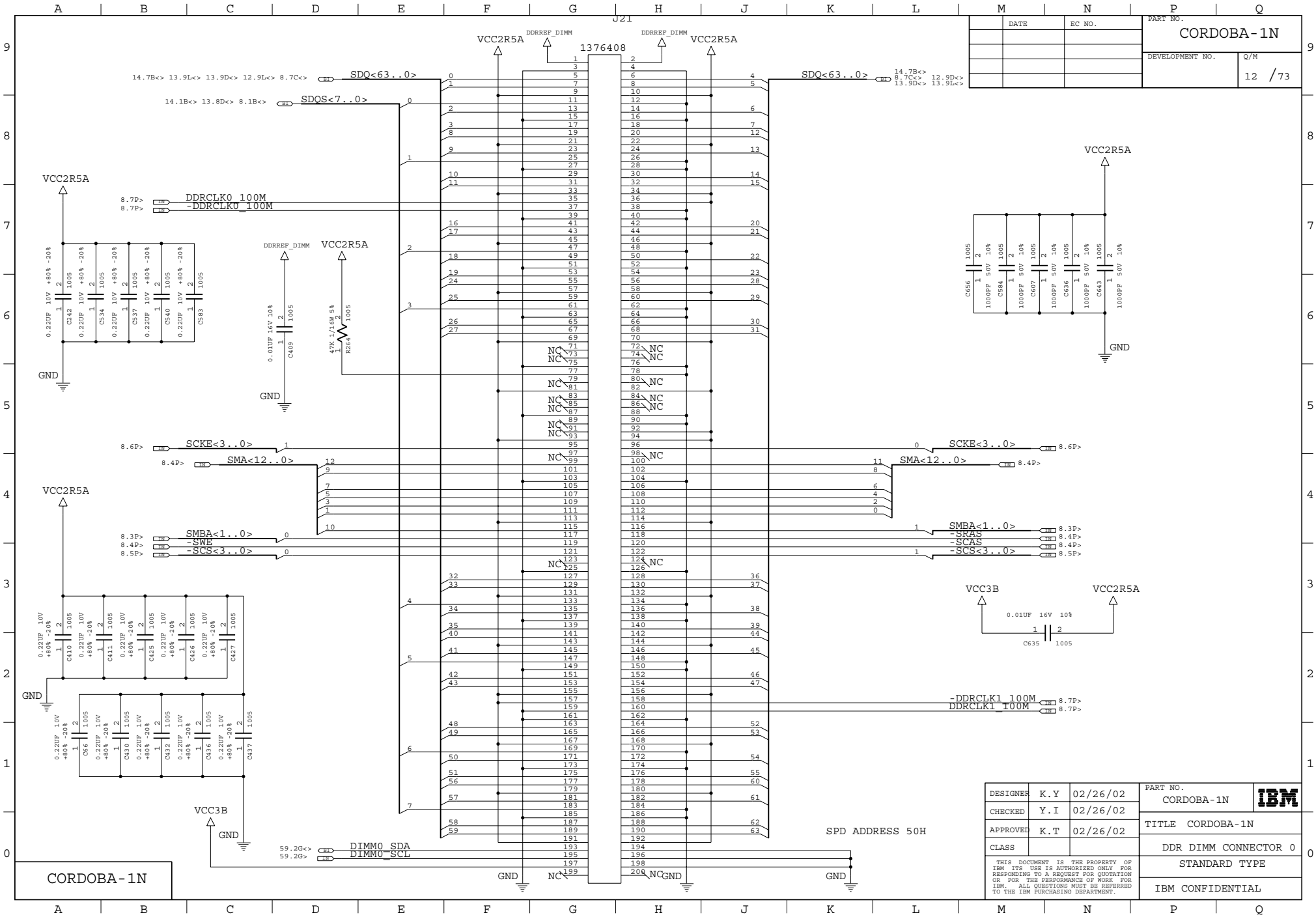
0

BLANK

CORDOBA-1N

DESIGNER	K.Y	02/26/02	PART NO.	CORDOBA-1N	
CHECKED	Y.I	02/26/02	TITLE		
APPROVED	K.T	02/26/02	(BLANK)		
CLASS					
<small>THIS DOCUMENT IS THE PROPERTY OF IBM. ITS USE IS AUTHORIZED ONLY FOR RESPONDING TO A REQUEST FOR QUOTATION OR FOR THE PERFORMANCE OF WORK FOR IBM. ALL QUESTIONS MUST BE REFERRED TO THE IBM PURCHASING DEPARTMENT.</small>					
IBM CONFIDENTIAL					

A B C D E F G H J K L M N P Q



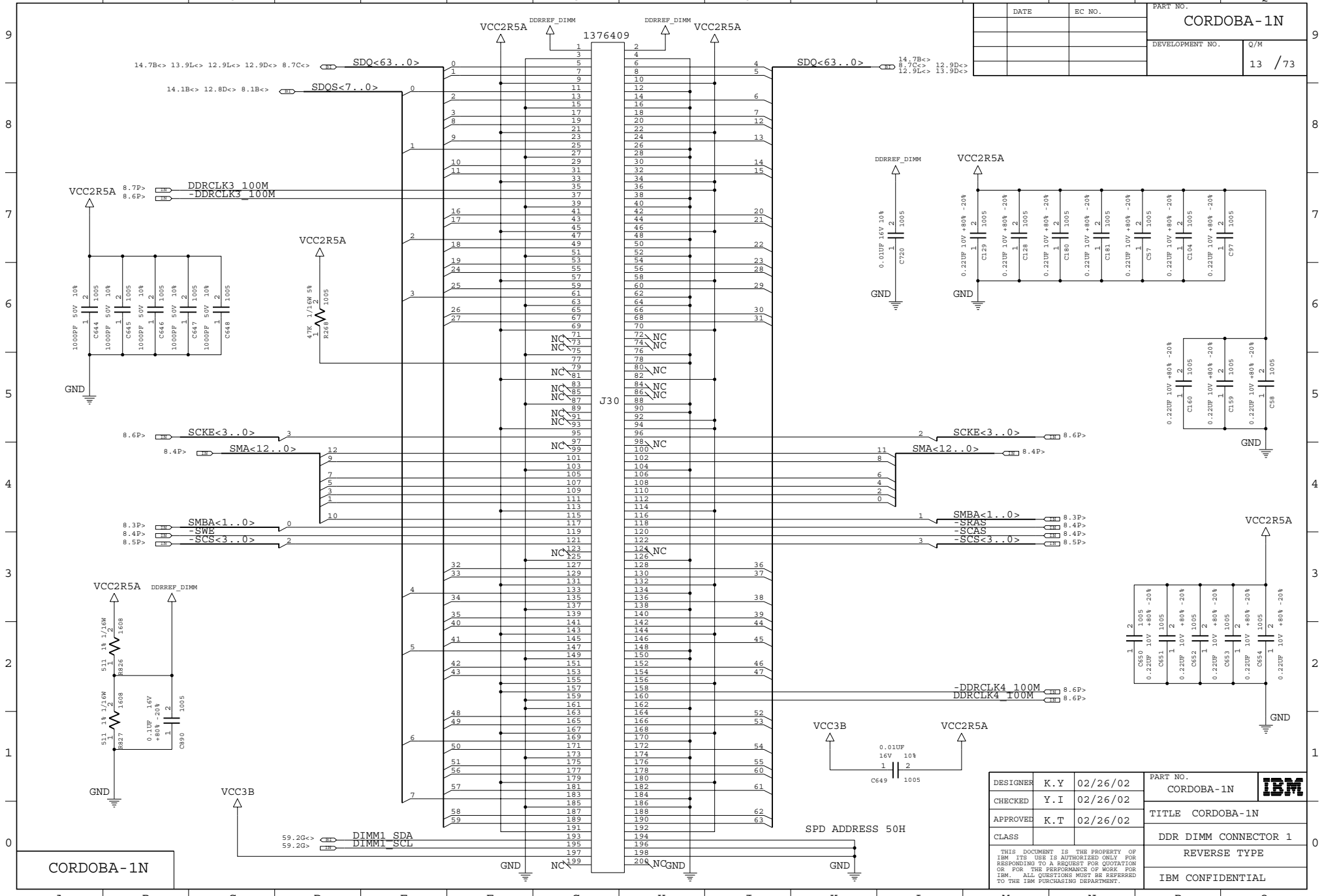
DATE	BC NO.	PART NO.	
		CORDOBA-1N	
DEVELOPMENT NO.		Q/M	
		12 / 73	

DESIGNER	K.Y	02/26/02	PART NO.	CORDOBA-1N	IBM
CHECKED	Y.I	02/26/02	TITLE	CORDOBA-1N	
APPROVED	K.T	02/26/02	DDR DIMM CONNECTOR 0		
CLASS				STANDARD TYPE	
THIS DOCUMENT IS THE PROPERTY OF IBM. ITS USE IS AUTHORIZED ONLY FOR RESPONDING TO A REQUEST FOR QUOTATION OR FOR THE PERFORMANCE OF WORK FOR IBM. ALL QUESTIONS MUST BE REFERRED TO THE IBM PURCHASING DEPARTMENT.					IBM CONFIDENTIAL

CORDOBA-1N



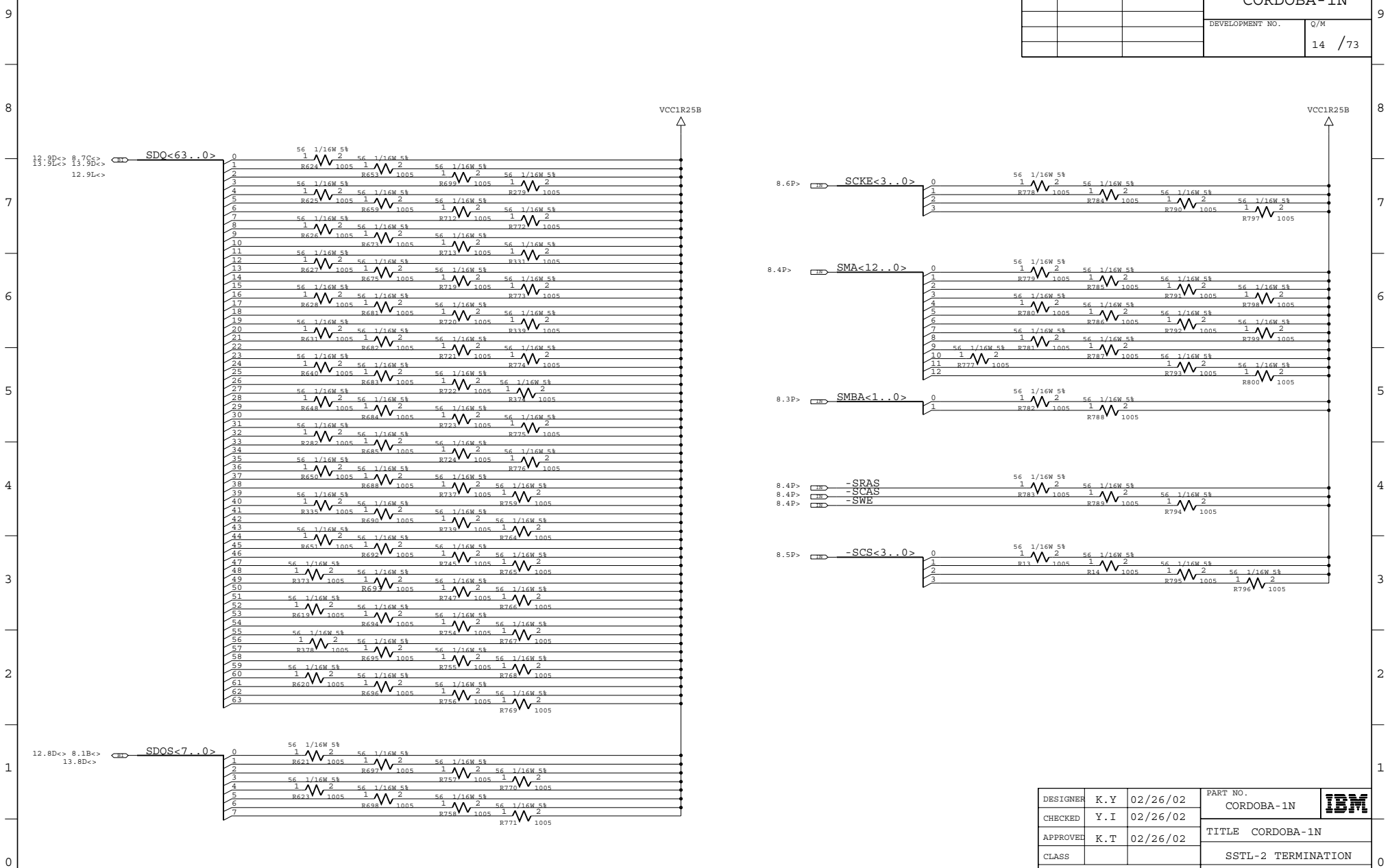
DATE	EC NO.	PART NO.	
		CORDOBA-1N	
DEVELOPMENT NO.			Q/M
			13 / 73



DESIGNER	K.Y	02/26/02	PART NO.	CORDOBA-1N	IBM
CHECKED	Y.I	02/26/02	TITLE	CORDOBA-1N	
APPROVED	K.T	02/26/02	DDR DIMM CONNECTOR 1		
CLASS	REVERSE TYPE				
THIS DOCUMENT IS THE PROPERTY OF IBM. ITS USE IS AUTHORIZED ONLY FOR RESPONDING TO A REQUEST FOR QUOTATION OR FOR THE PERFORMANCE OF WORK FOR IBM. ALL QUESTIONS MUST BE REFERRED TO THE IBM PURCHASING DEPARTMENT.					
IBM CONFIDENTIAL					

CORDOBA-1N

DATE	EC NO.	PART NO.	
		CORDOBA-1N	
		DEVELOPMENT NO.	Q/M
		14	/73



CORDOBA-1N

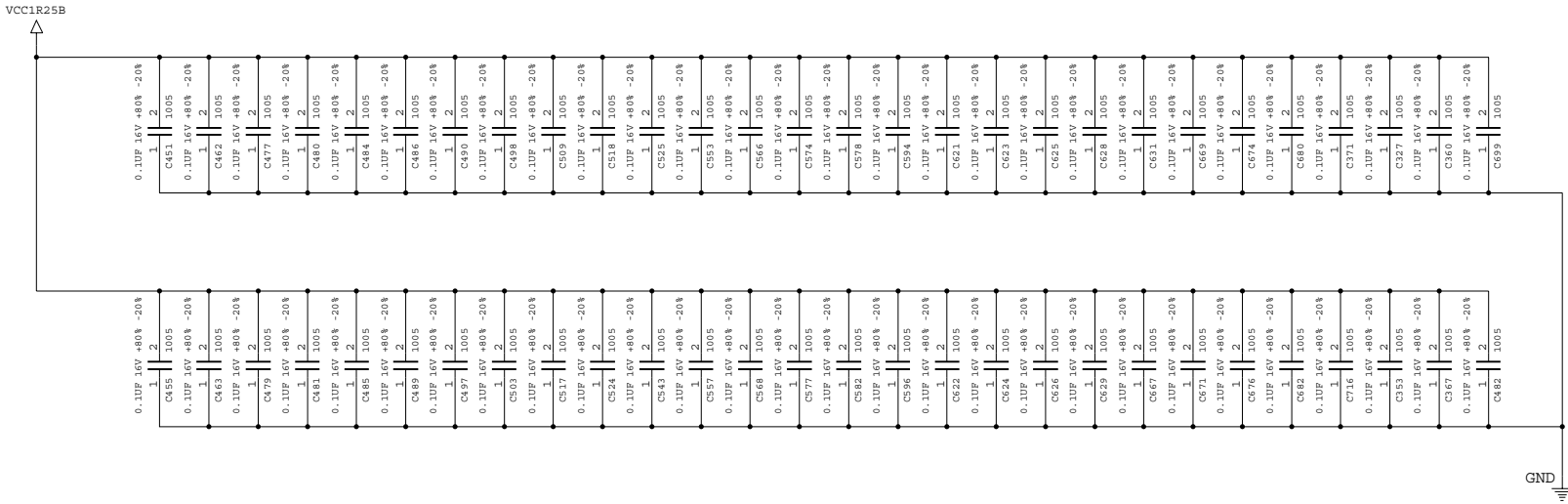
DESIGNER	K.Y	02/26/02	PART NO.	CORDOBA-1N	
CHECKED	Y.I	02/26/02	TITLE	CORDOBA-1N	
APPROVED	K.T	02/26/02	CLASS	SSTL-2 TERMINATION	
THIS DOCUMENT IS THE PROPERTY OF IBM. ITS USE IS AUTHORIZED ONLY FOR RESPONDING TO A REQUEST FOR QUOTATION OR FOR THE PERFORMANCE OF WORK FOR IBM. ALL QUESTIONS MUST BE REFERRED TO THE IBM PURCHASING DEPARTMENT.					IBM CONFIDENTIAL

A B C D E F G H J K L M N P Q

9
8
7
6
5
4
3
2
1
0

DATE	EC NO.	PART NO.	
		CORDOBA-1N	
		DEVELOPMENT NO.	Q/M
		15	/73

PLACE 1 CAP FOR EVERY 2 BITS TERMINATED TO VCC1R25B.

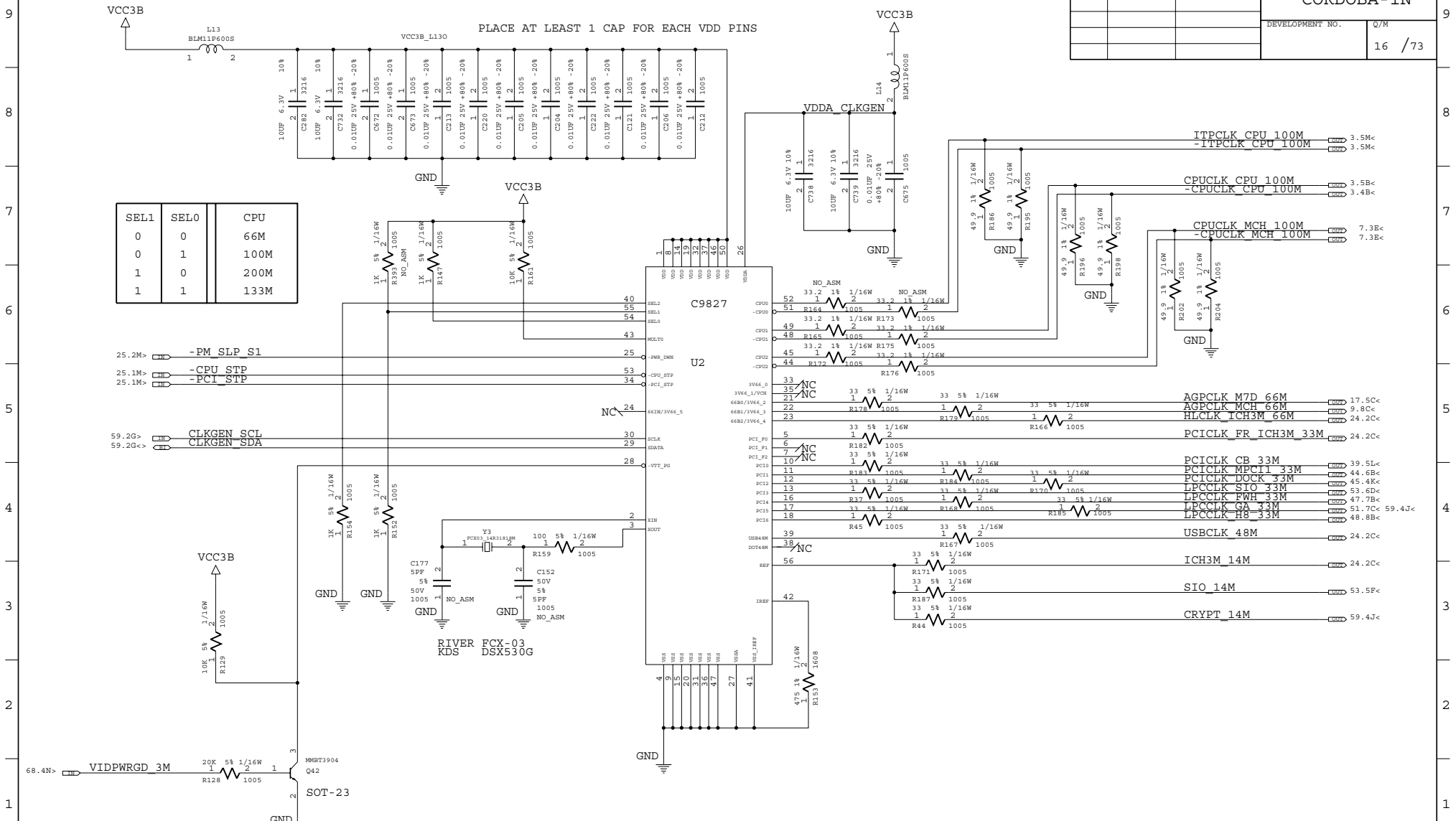


CORDOBA-1N

DESIGNER	K.Y	02/26/02	PART NO.	CORDOBA-1N	
CHECKED	Y.I	02/26/02	TITLE		
APPROVED	K.T	02/26/02	SSTL-2 DECOUPLING		
CLASS	THIS DOCUMENT IS THE PROPERTY OF IBM. ITS USE IS AUTHORIZED ONLY FOR RESPONDING TO A REQUEST FOR QUOTATION OR FOR THE PERFORMANCE OF WORK FOR IBM. ALL QUESTIONS MUST BE REFERRED TO THE IBM PURCHASING DEPARTMENT.				
				IBM CONFIDENTIAL	

A B C D E F G H J K L M N P Q

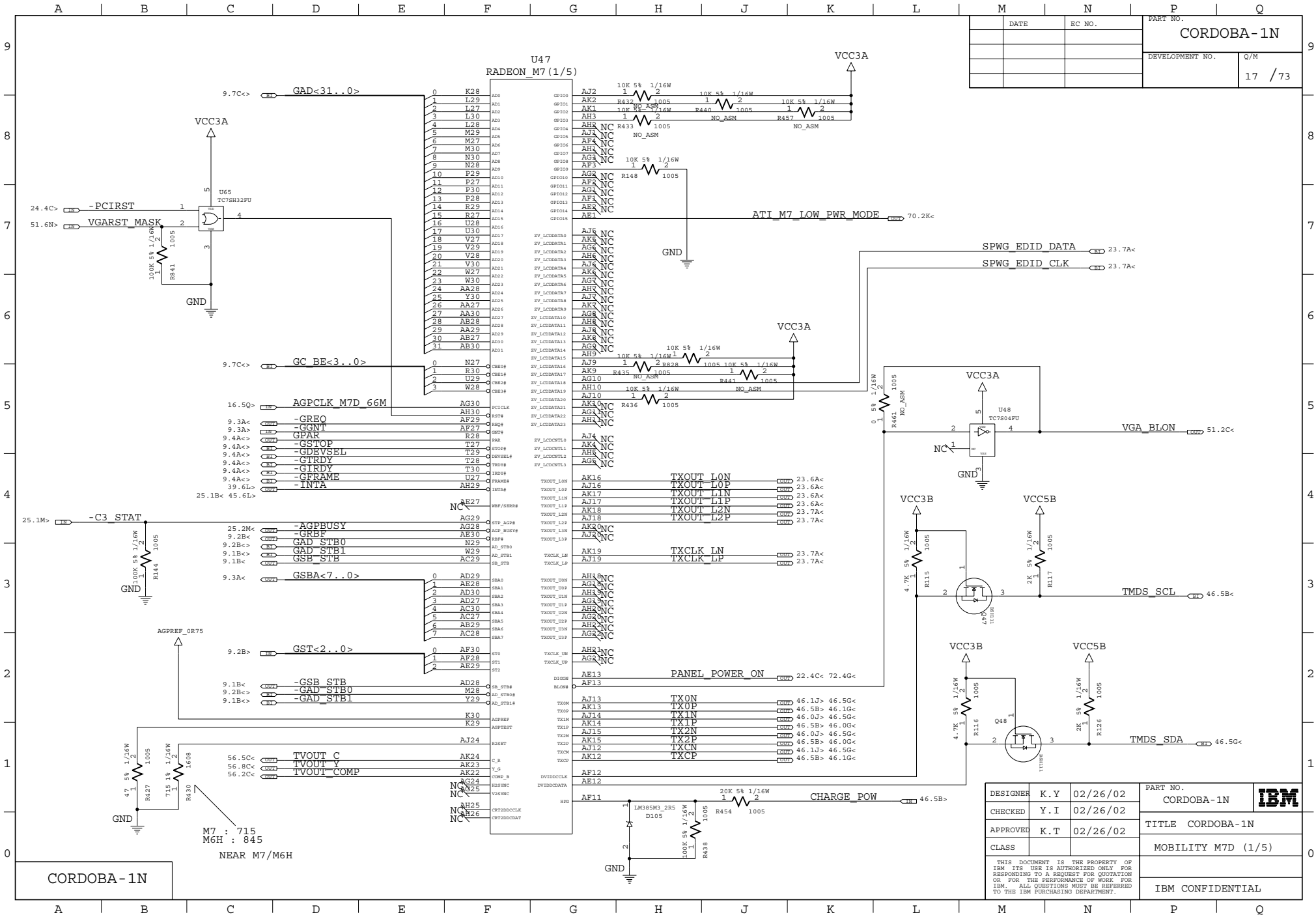
DATE	EC NO.	PART NO.
		CORDOBA-1N
DEVELOPMENT NO.		Q/M
		16 / 73



SEL1	SEL0	CPU
0	0	66M
0	1	100M
1	0	200M
1	1	133M

DESIGNER	K.Y	02/26/02	PART NO.	CORDOBA-1N	IBM
CHECKED	Y.I	02/26/02	TITLE	CORDOBA-1N	
APPROVED	K.T	02/26/02	CLOCK GEN(CK-TITAN)		
CLASS	THIS DOCUMENT IS THE PROPERTY OF IBM. ITS USE IS AUTHORIZED ONLY FOR RESPONDING TO A REQUEST FOR QUOTATION OR FOR THE PERFORMANCE OF WORK FOR IBM. ALL QUESTIONS MUST BE REFERRED TO THE IBM PURCHASING DEPARTMENT.				
					IBM CONFIDENTIAL

CORDOBA-1N



CORDOBA-1N

M7 : 715
M6H : 845
NEAR M7/M6H

CORDOBA-1N

DEVELOPMENT NO. Q/M

17 / 73

PART NO. CORDOBA-1N



TITLE CORDOBA-1N

MOBILITY M7D (1/5)

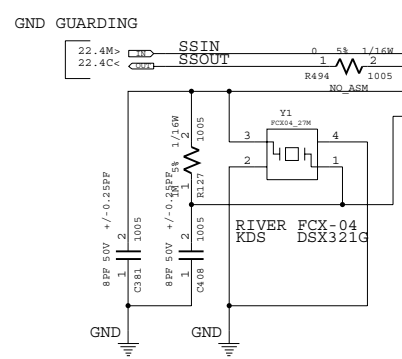
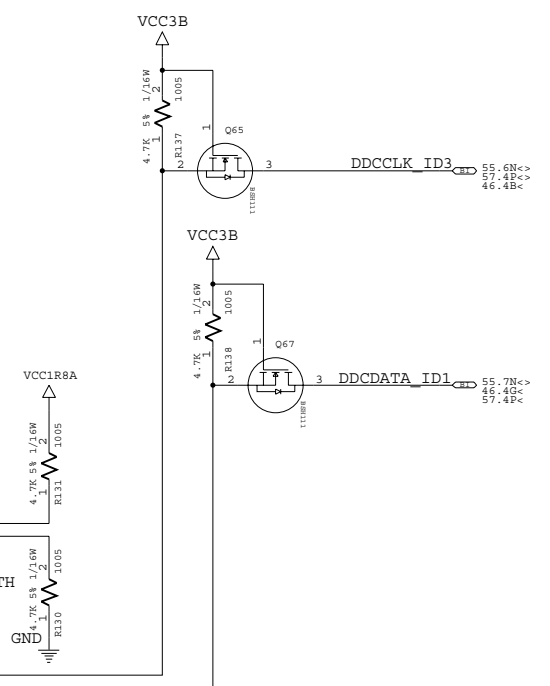
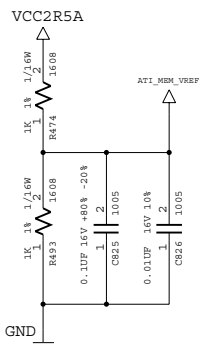
IBM CONFIDENTIAL

DATE	BC NO.	PART NO.	
		CORDOBA-1N	
		DEVELOPMENT NO.	Q/M
		18	/73

9
8
7
6
5
4
3
2
1
0

9
8
7
6
5
4
3
2
1
0

U47
RADEON M7 (2/5)



GND GUARDING
SHORT & SAME TRACE LENGTH

M7P:715
M6P:499

CORDOBA-1N

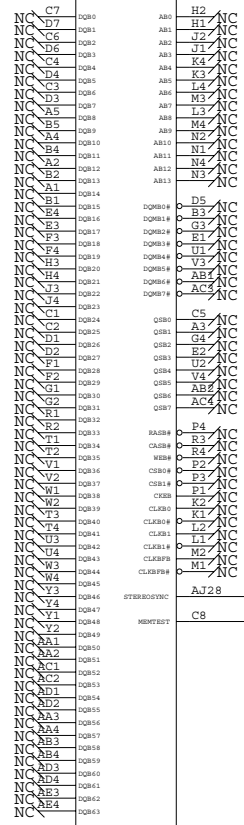
DESIGNER	K.Y	02/26/02	PART NO.	CORDOBA-1N	
CHECKED	Y.I	02/26/02	TITLE		
APPROVED	K.T	02/26/02	MOBILITY M7D (2/5)		
CLASS	THIS DOCUMENT IS THE PROPERTY OF IBM. ITS USE IS AUTHORIZED ONLY FOR RESPONDING TO A REQUEST FOR QUOTATION OR FOR THE PERFORMANCE OF WORK FOR IBM. ALL QUESTIONS MUST BE REFERRED TO THE IBM PURCHASING DEPARTMENT.				
				IBM CONFIDENTIAL	

A B C D E F G H J K L M N P Q

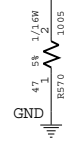
DATE	EC NO.	PART NO.	
		CORDOBA-1N	
		DEVELOPMENT NO.	O/M
		19	/73

U47

RADEON_M7 (3/5)



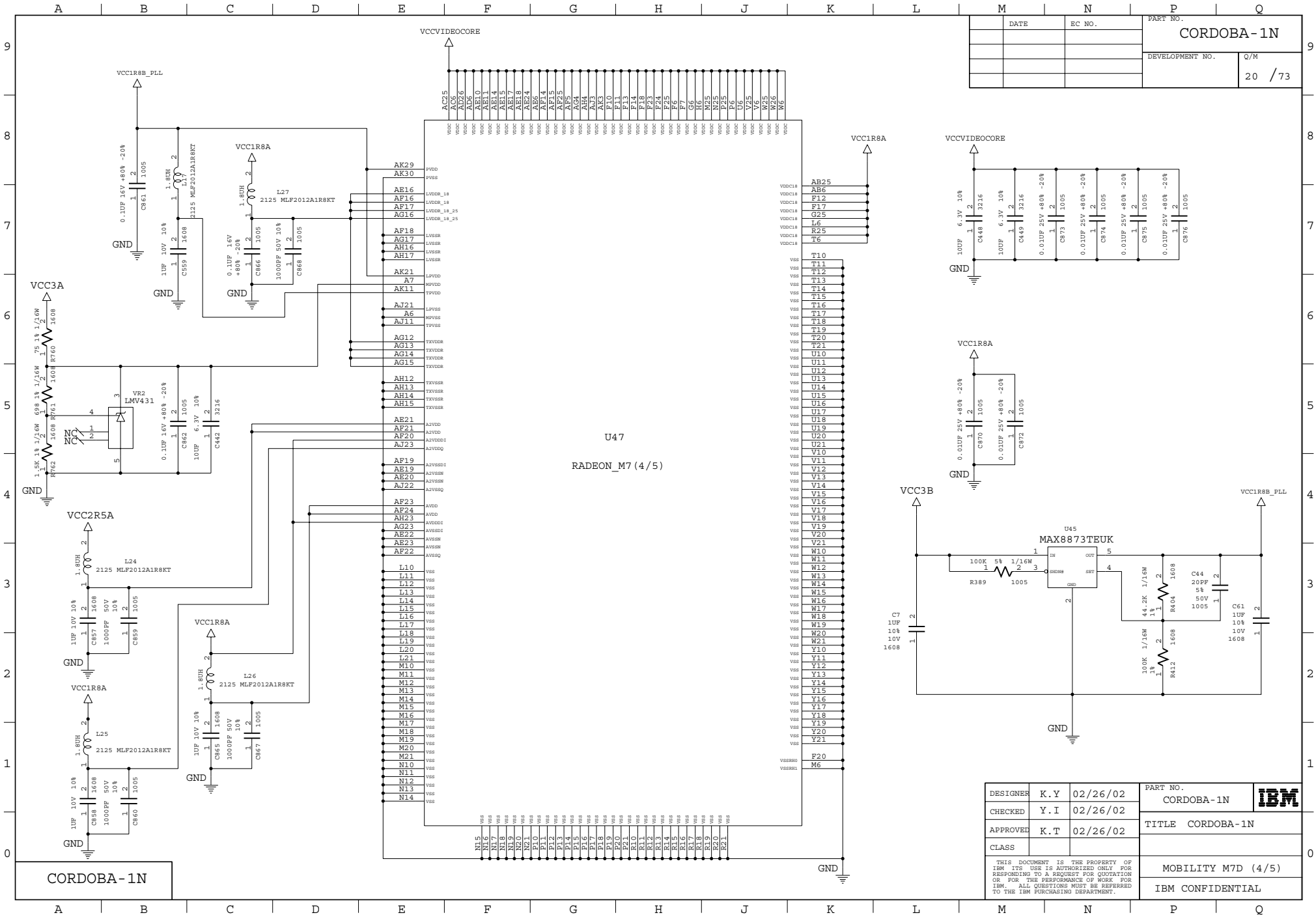
-SUS_STAT $25.2M\Omega$



CORDOBA-1N

DESIGNER	K.Y	02/26/02	PART NO.	CORDOBA-1N	
CHECKED	Y.I	02/26/02	TITLE	CORDOBA-1N	
APPROVED	K.T	02/26/02	MOBILITY M7D (3/5)		
CLASS			IBMCORPORATION		
THIS DOCUMENT IS THE PROPERTY OF IBM. ITS USE IS AUTHORIZED ONLY FOR RESPONDING TO A REQUEST FOR QUOTATION OR FOR THE PERFORMANCE OF WORK FOR IBM. ALL QUESTIONS MUST BE REFERRED TO THE IBM PURCHASING DEPARTMENT.					IBM CONFIDENTIAL

A B C D E F G H J K L M N P Q



DATE	EC NO.	PART NO.	
		CORDOBA-1N	
		DEVELOPMENT NO.	Q/M
		20	/73

DESIGNER	K.Y	02/26/02	PART NO.	CORDOBA-1N	
CHECKED	Y.I	02/26/02	TITLE		
APPROVED	K.T	02/26/02			
CLASS					
THIS DOCUMENT IS THE PROPERTY OF IBM. ITS USE IS AUTHORIZED ONLY FOR RESPONDING TO A REQUEST FOR QUOTATION OR FOR THE PERFORMANCE OF WORK FOR IBM. ALL QUESTIONS MUST BE REFERRED TO THE IBM PURCHASING DEPARTMENT.					
				MOBILITY M7D (4/5)	
				IBM CONFIDENTIAL	

CORDOBA-1N

U47
RADEON_M7 (4/5)

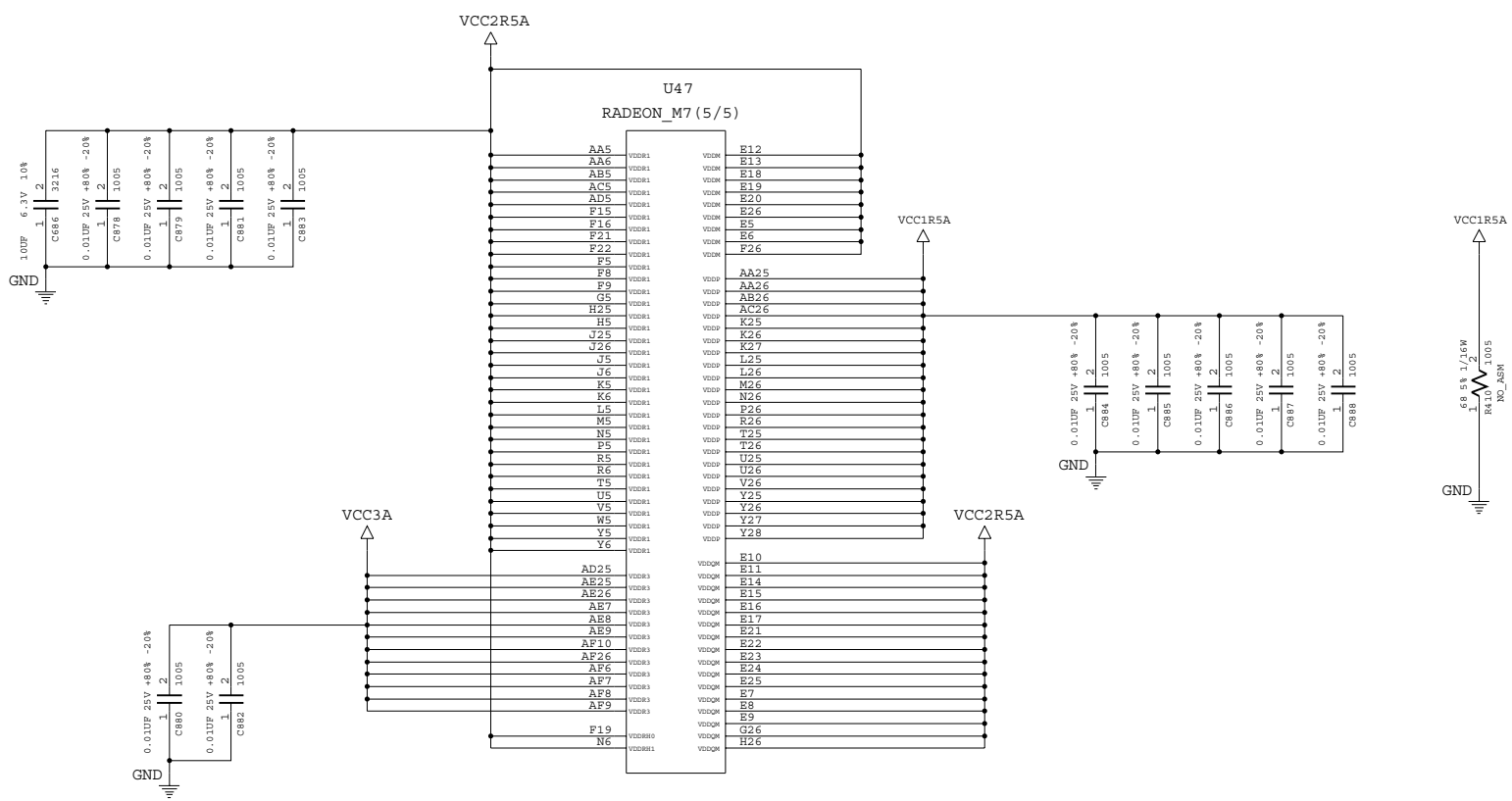
U45
MAX8873TEUK

MOBILITY M7D (4/5)

IBM CONFIDENTIAL

A B C D E F G H J K L M N P Q

DATE	EC NO.	PART NO.	
		CORDOBA-1N	
		DEVELOPMENT NO.	Q/M
		21	/73



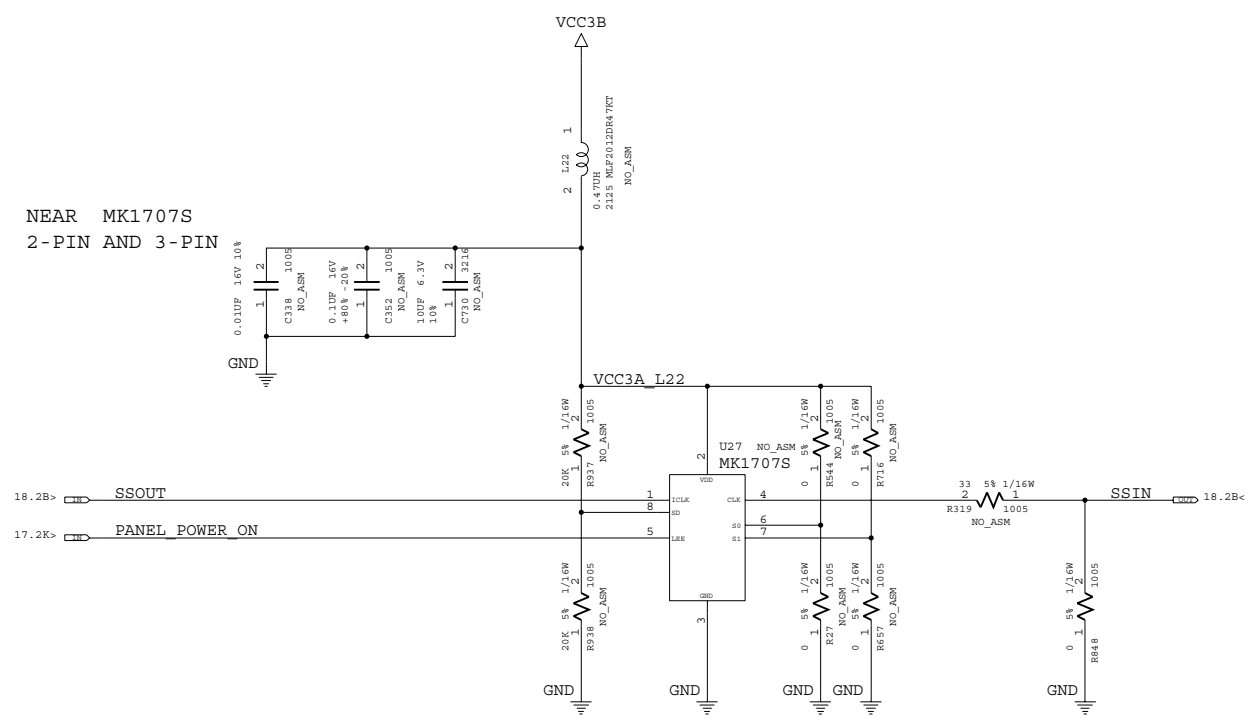
CORDOBA-1N

DESIGNER	K.Y	02/26/02	PART NO.	CORDOBA-1N	IBM
CHECKED	Y.I	02/26/02	TITLE		
APPROVED	K.T	02/26/02	CLASS	MOBILITY M7D (5/5)	
THIS DOCUMENT IS THE PROPERTY OF IBM. ITS USE IS AUTHORIZED ONLY FOR RESPONDING TO A REQUEST FOR QUOTATION OR FOR THE PERFORMANCE OF WORK FOR IBM. ALL QUESTIONS MUST BE REFERRED TO THE IBM PURCHASING DEPARTMENT.				IBM CONFIDENTIAL	

A B C D E F G H J K L M N P Q

A B C D E F G H J K L M N P Q

DATE	EC NO.	PART NO.	
		CORDOBA-1N	
		DEVELOPMENT NO.	Q/M
			22 /73



NEAR MK1707S
2-PIN AND 3-PIN

(PAGE G1 ADDITIONAL)

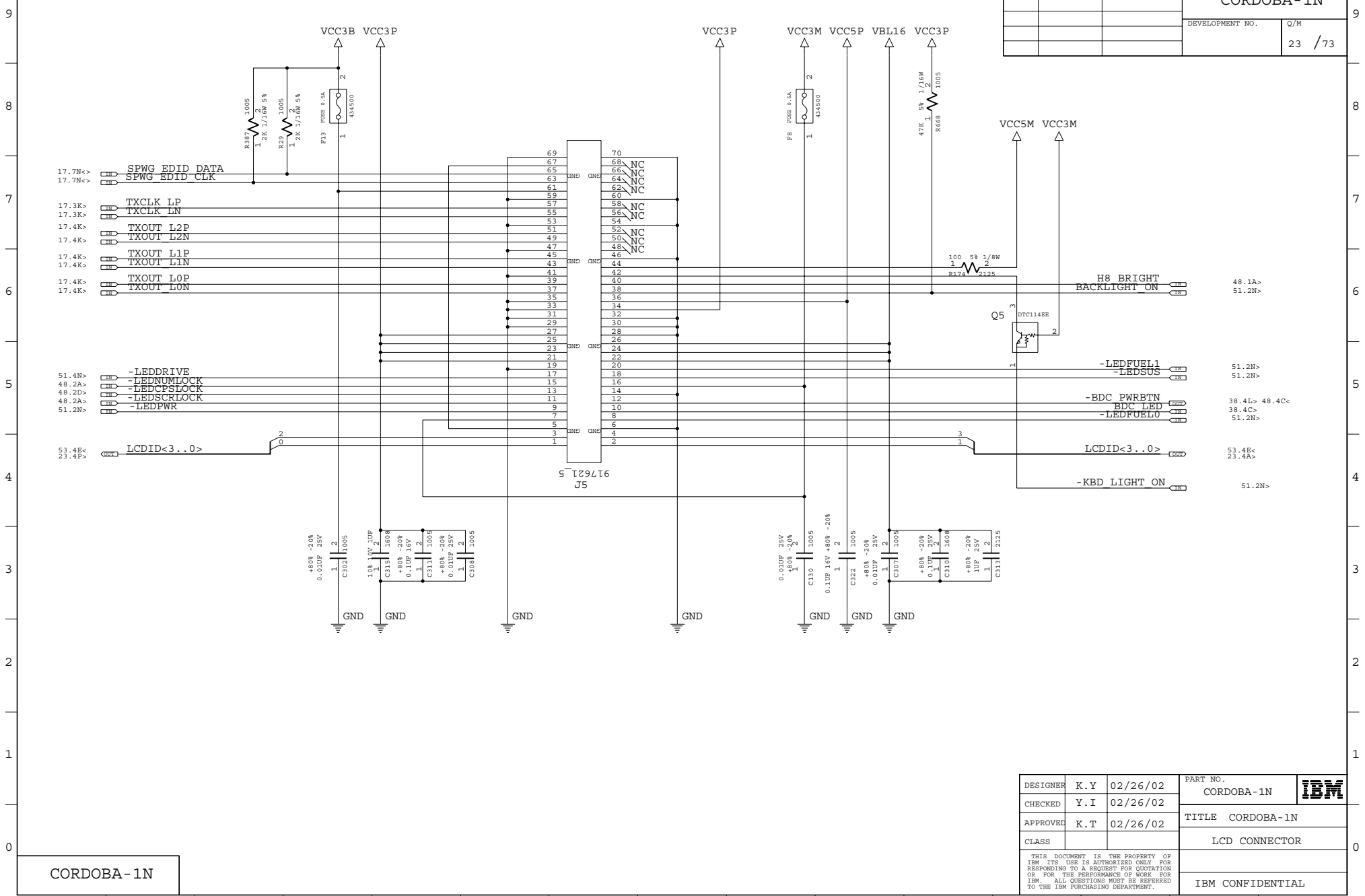
CORDOBA-1N

DESIGNER	K.Y	02/26/02	PART NO.	CORDOBA-1N	
CHECKED	Y.I	02/26/02	TITLE	CORDOBA-1N	
APPROVED	K.T	02/26/02	LCD CLOCK MODULATOR		
CLASS			IBM CONFIDENTIAL		
THIS DOCUMENT IS THE PROPERTY OF IBM. ITS USE IS AUTHORIZED ONLY FOR RESPONDING TO A REQUEST FOR QUOTATION OR FOR THE PERFORMANCE OF WORK FOR IBM. ALL QUESTIONS MUST BE REFERRED TO THE IBM PURCHASING DEPARTMENT.					

A B C D E F G H J K L M N P Q

A B C D E F G H J K L M N P Q

DATE	BC NO.	PART NO.	
		CORDOBA-1N	
		DEVELOPMENT NO.	Q/M
		23	/73



CORDOBA-1N

DESIGNER	K.Y	02/26/02	PART NO.	CORDOBA-1N	
CHECKED	Y.I	02/26/02	TITLE	CORDOBA-1N	
APPROVED	K.T	02/26/02	LCD CONNECTOR		
CLASS					
THIS DOCUMENT IS THE PROPERTY OF IBM. ITS USE IS AUTHORIZED ONLY FOR RESPONDING TO A REQUEST FOR QUOTATION OR FOR THE PERFORMANCE OF WORK FOR IBM. ALL QUESTIONS MUST BE REFERRED TO THE IBM PURCHASING DEPARTMENT.					
IBM CONFIDENTIAL					

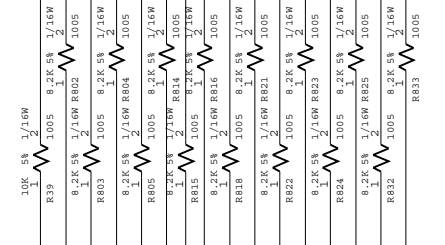
A B C D E F G H J K L M N P Q

DATE	BC NO.	PART NO.
		CORDOBA-1N
	DEVELOPMENT NO.	Q/M
		24 / 73

45.8A<>44.8B<>39.4B<> C BE<3..0>
 45.9A<>44.8B<>39.7B<> AD<31..0>

	-REQ/-GNT
CARD BUS	0
DOCK	2
MINIPCI	3

VCC3B

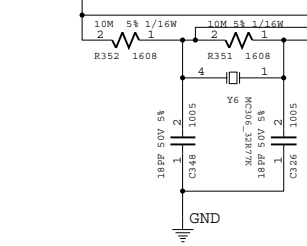


51.4C<>45.7L<>44.4N<>39.7L<> -FRAME
 51.3C<>45.7L<>44.5C<>39.7L<> -RDY
 45.7L<>44.4N<>39.7L<> -DEVSEL
 45.6L<>44.4N<>39.7L<> -STOP
 45.7L<>44.4N<>39.7L<> -PAR
 45.6L<>44.5N<>39.7L<> -PERR
 45.5L<>44.4C<>39.7L<> -SERR
 45.6L<>44.4C<>39.6L<> -LOCK
 45.6L<>39.6L<> -CLKRUN
 48.7B<>44.6N<>39.5L<> -PME

59.5J<>53.5P> 51.7C<>45.6L<>44.4C<>39.5L<> -PCIRST
 48.7B<>44.6N> 39.5L> 9.6K<> 53.6D<> -REQ0
 39.6L<> 45.5P> -REQ2
 44.6B<> 44.6B> -REQ3

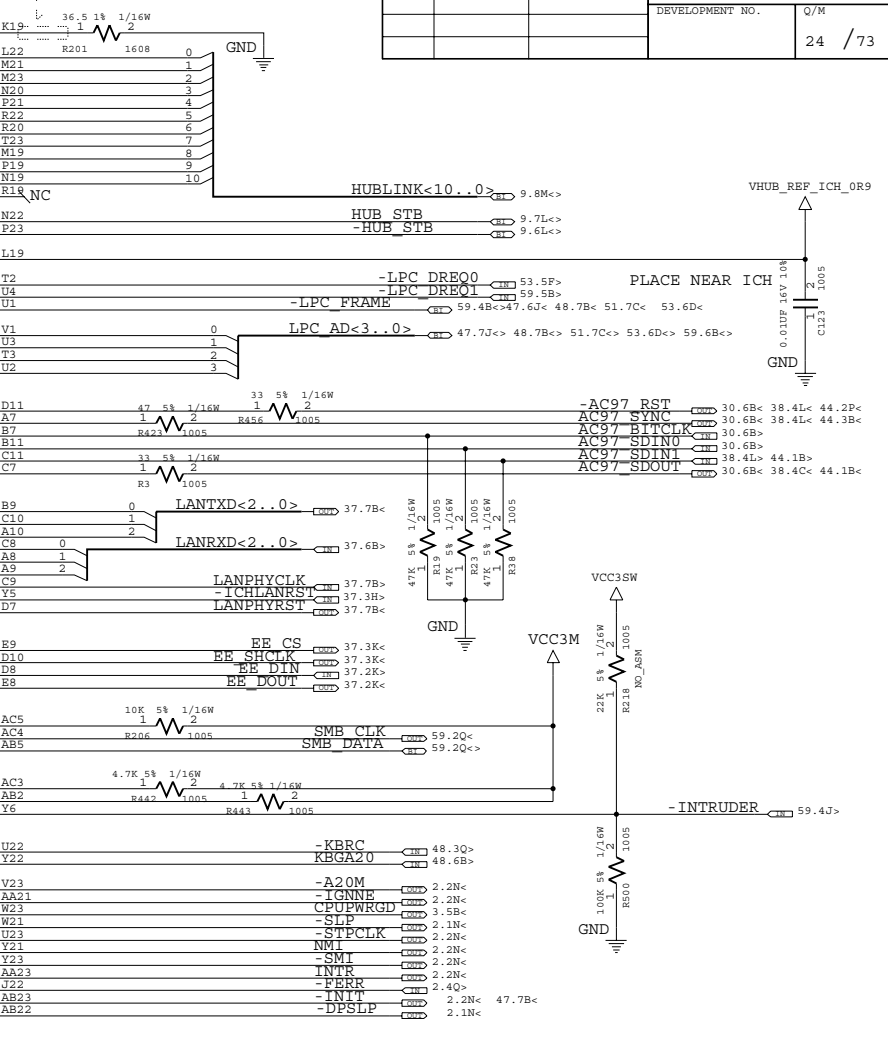
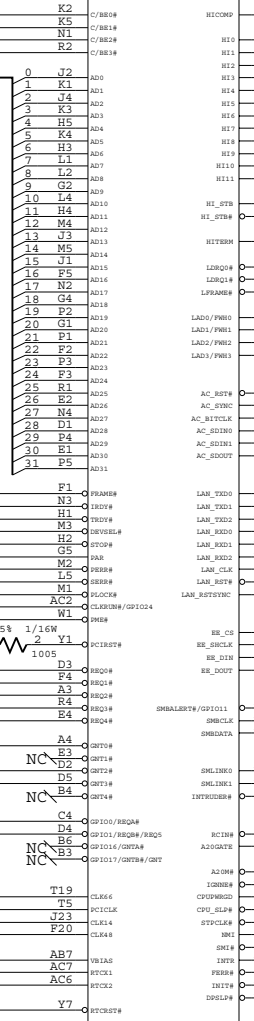
39.6L<> -GNT0
 45.4F<> -GNT2
 44.6N<> -GNT3

VBIAS 16.5Q> HCLK ICH3M 66M
 16.5Q> PCICLK FR ICH3M 33M
 16.3Q> ICH3M I4M
 16.4Q> USBCLK 48M



US ICH3 (1/3)

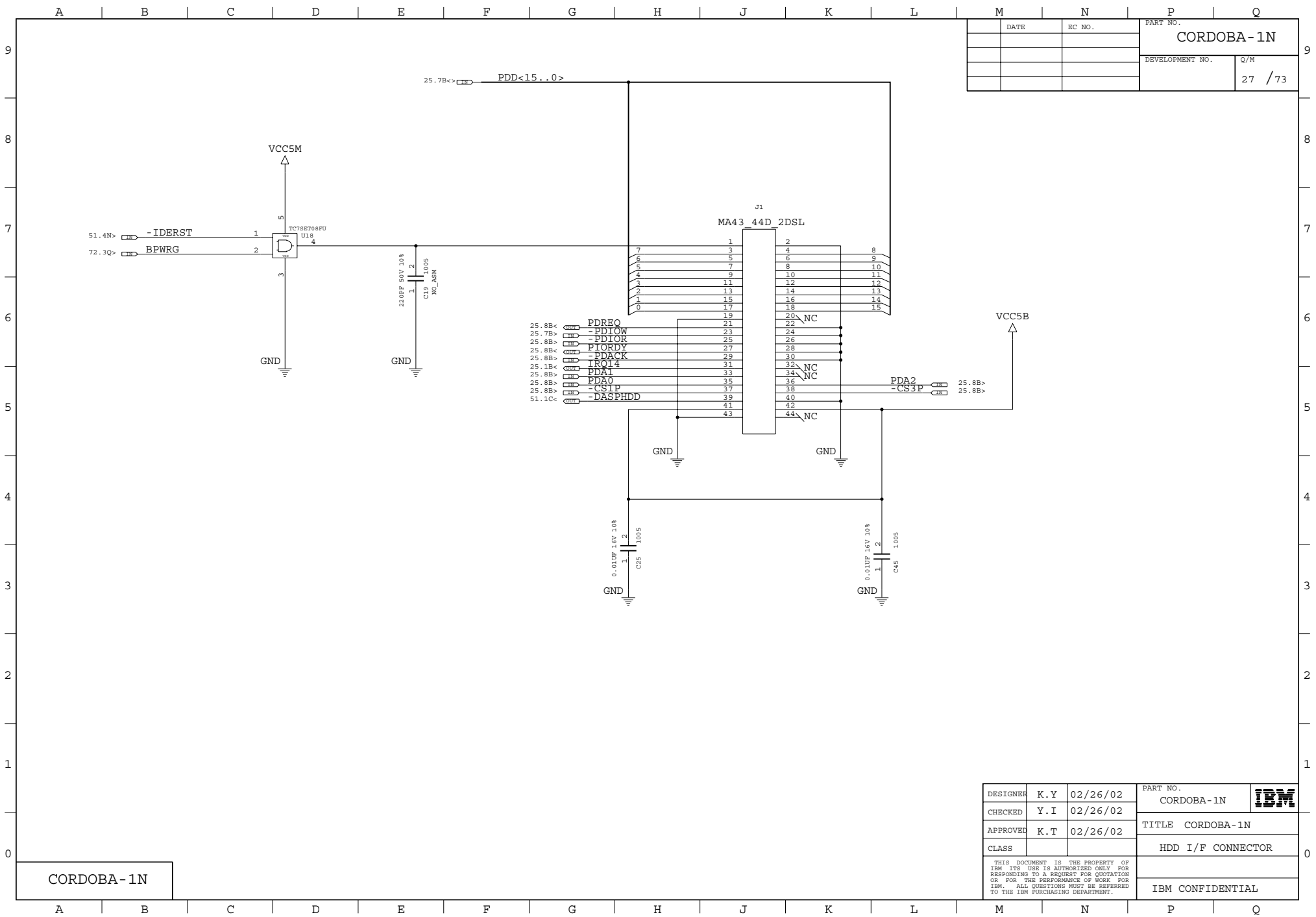
10MIL<0.5M



INTRUDER#:
TO DETECT CRYPT CHIP CHG

DESIGNER	K.Y	02/26/02	PART NO.	CORDOBA-1N	IBM
CHECKED	Y.I	02/26/02	TITLE	CORDOBA-1N	
APPROVED	K.T	02/26/02		ICH3-M (1/3)	
CLASS				324PIN BGA	
THIS DOCUMENT IS THE PROPERTY OF IBM. ITS USE IS AUTHORIZED ONLY FOR RESPONDING TO A REQUEST FOR QUOTATION OR FOR THE PERFORMANCE OF WORK FOR IBM. ALL QUESTIONS MUST BE REFERRED TO THE IBM PURCHASING DEPARTMENT.					IBM CONFIDENTIAL

CORDOBA-1N

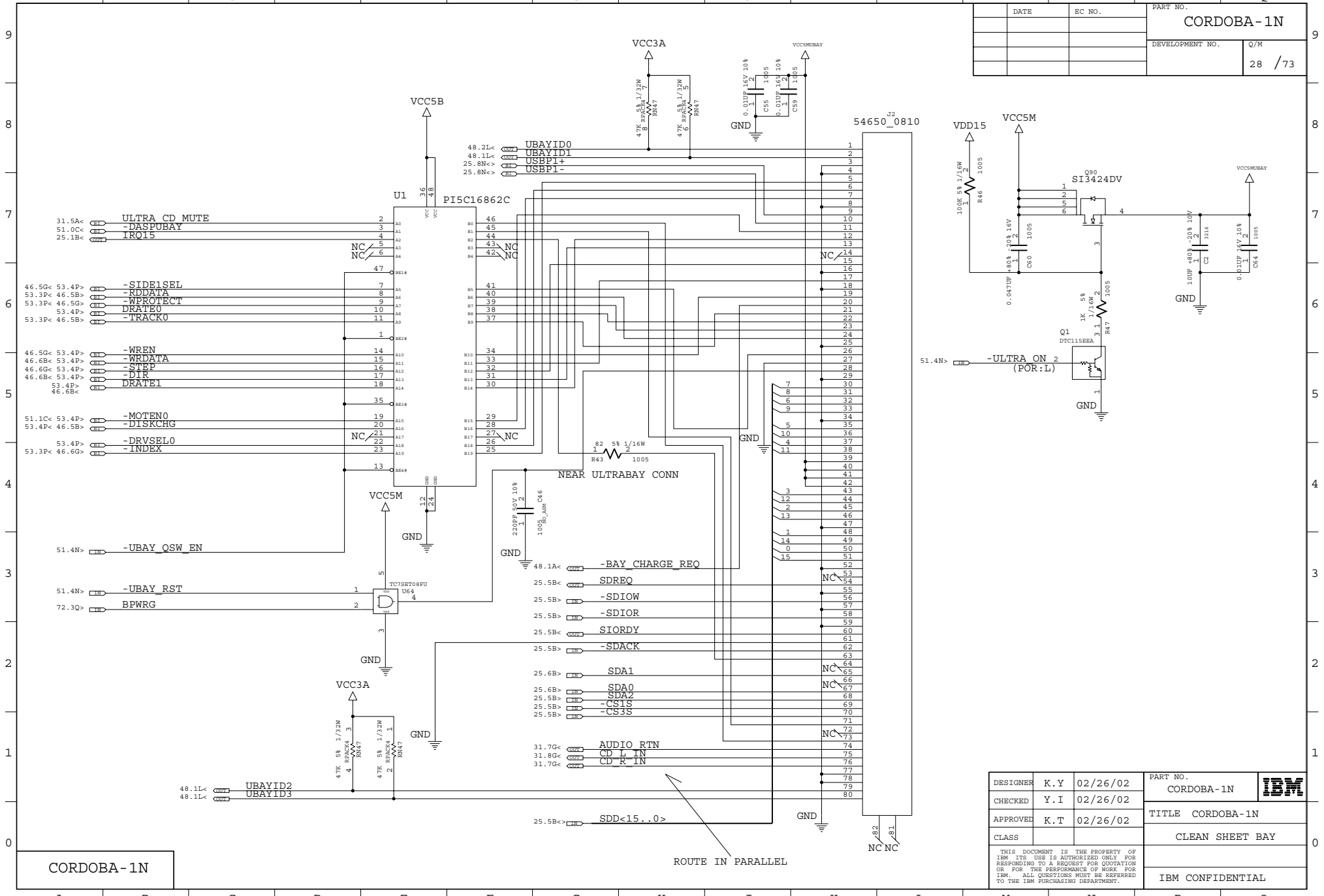


DATE	BC NO.	PART NO.	
		CORDOBA-1N	
		DEVELOPMENT NO.	Q/M
			27 / 73

CORDOBA-1N

DESIGNER	K.Y.	02/26/02	PART NO.	CORDOBA-1N	
CHECKED	Y.I.	02/26/02	TITLE	CORDOBA-1N	
APPROVED	K.T.	02/26/02		HDD I/F CONNECTOR	
CLASS			THIS DOCUMENT IS THE PROPERTY OF IBM. ITS USE IS AUTHORIZED ONLY FOR RESPONDING TO A REQUEST FOR QUOTATION OR FOR THE PERFORMANCE OF WORK FOR IBM. ALL QUESTIONS MUST BE REFERRED TO THE IBM PURCHASING DEPARTMENT.		
				IBM CONFIDENTIAL	

DATE	EC NO.	PART NO.	
		CORDOBA-1N	
		DEVELOPMENT NO.	Q/M
		28	/73

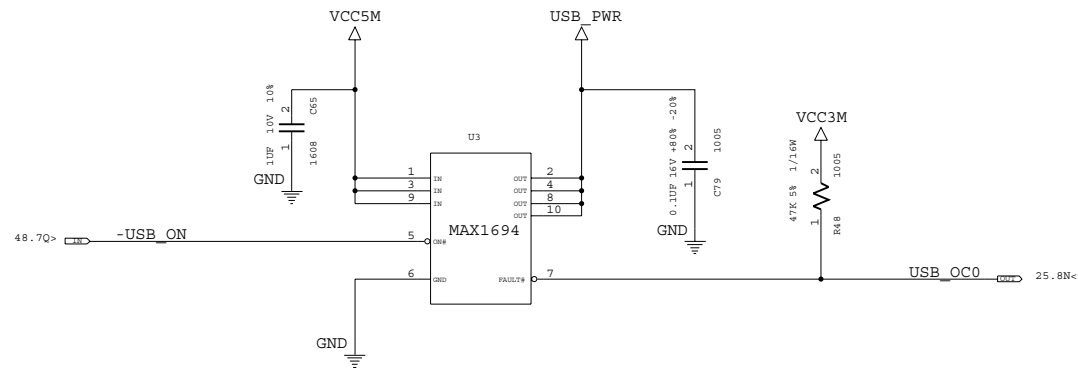


CORDOBA-1N

DESIGNER	K.Y	02/26/02	PART NO.	CORDOBA-1N	
CHECKED	Y.I	02/26/02	TITLE	CORDOBA-1N	
APPROVED	K.T	02/26/02	CLEAN SHEET BAY		
THIS DOCUMENT IS THE PROPERTY OF IBM. ITS USE IS AUTHORIZED ONLY FOR RESPONDING TO A REQUEST FOR QUOTATION OR FOR THE PERFORMANCE OF WORK FOR IBM. ALL QUESTIONS MUST BE REFERRED TO THE IBM PURCHASING DEPARTMENT.					IBM CONFIDENTIAL

A B C D E F G H J K L M N P Q

DATE	EC NO.	PART NO.	
		CORDOBA-1N	
		DEVELOPMENT NO.	Q/M
		29	/73



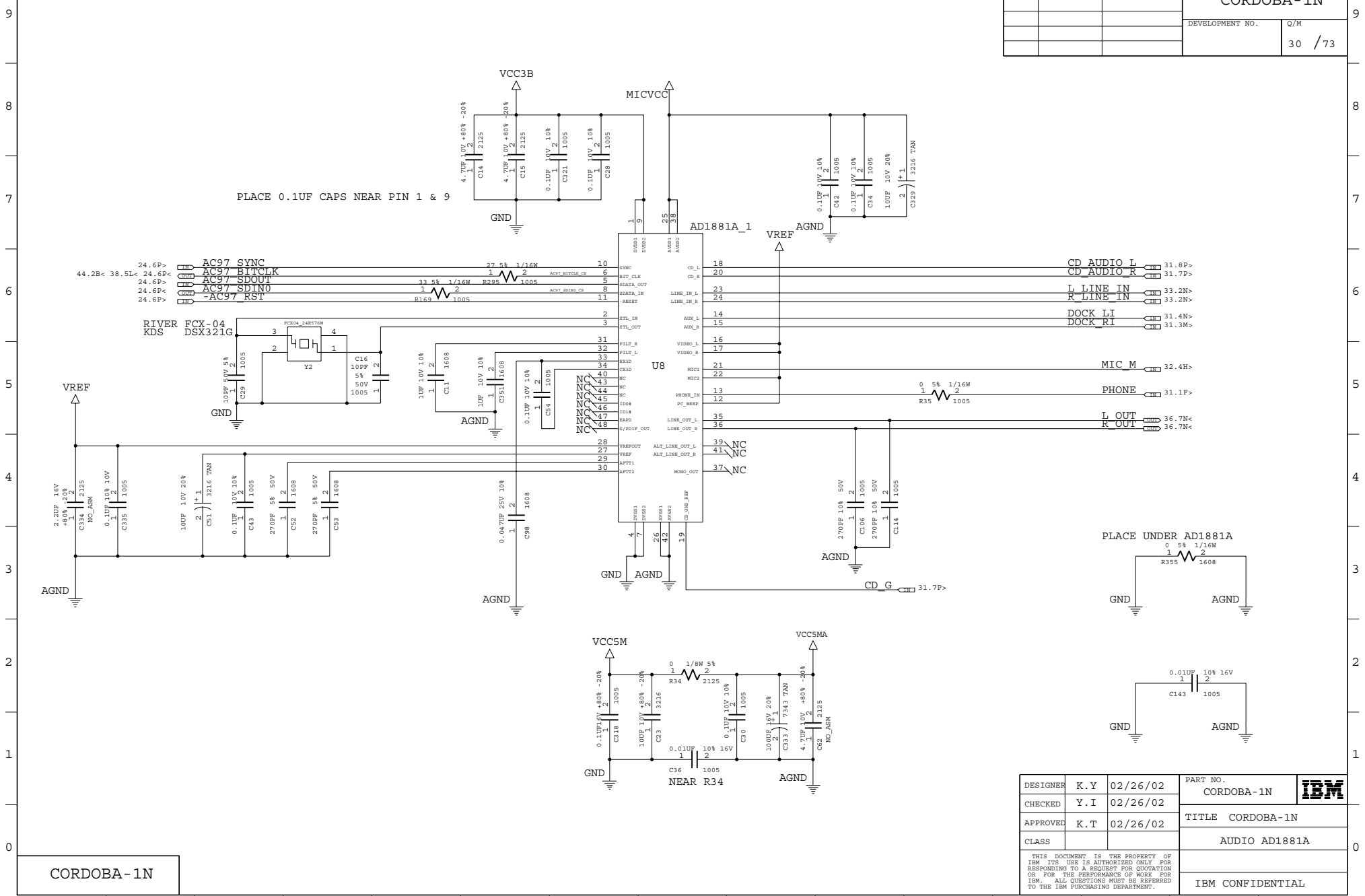
CORDOBA-1N

DESIGNER	K.Y	02/26/02	PART NO.	CORDOBA-1N	
CHECKED	Y.I	02/26/02	TITLE		
APPROVED	K.T	02/26/02	USB INTERFACE		
CLASS			IBM CONFIDENTIAL		
<small>THIS DOCUMENT IS THE PROPERTY OF IBM. ITS USE IS AUTHORIZED ONLY FOR RESPONDING TO A REQUEST FOR QUOTATION OR FOR THE PERFORMANCE OF WORK FOR IBM. ALL QUESTIONS MUST BE REFERRED TO THE IBM PURCHASING DEPARTMENT.</small>					

A B C D E F G H J K L M N P Q

A B C D E F G H J K L M N P Q

DATE	EC NO.	PART NO.	
		CORDOBA-1N	
		DEVELOPMENT NO.	Q/M
			30 / 73



PLACE 0.1UF CAPS NEAR PIN 1 & 9

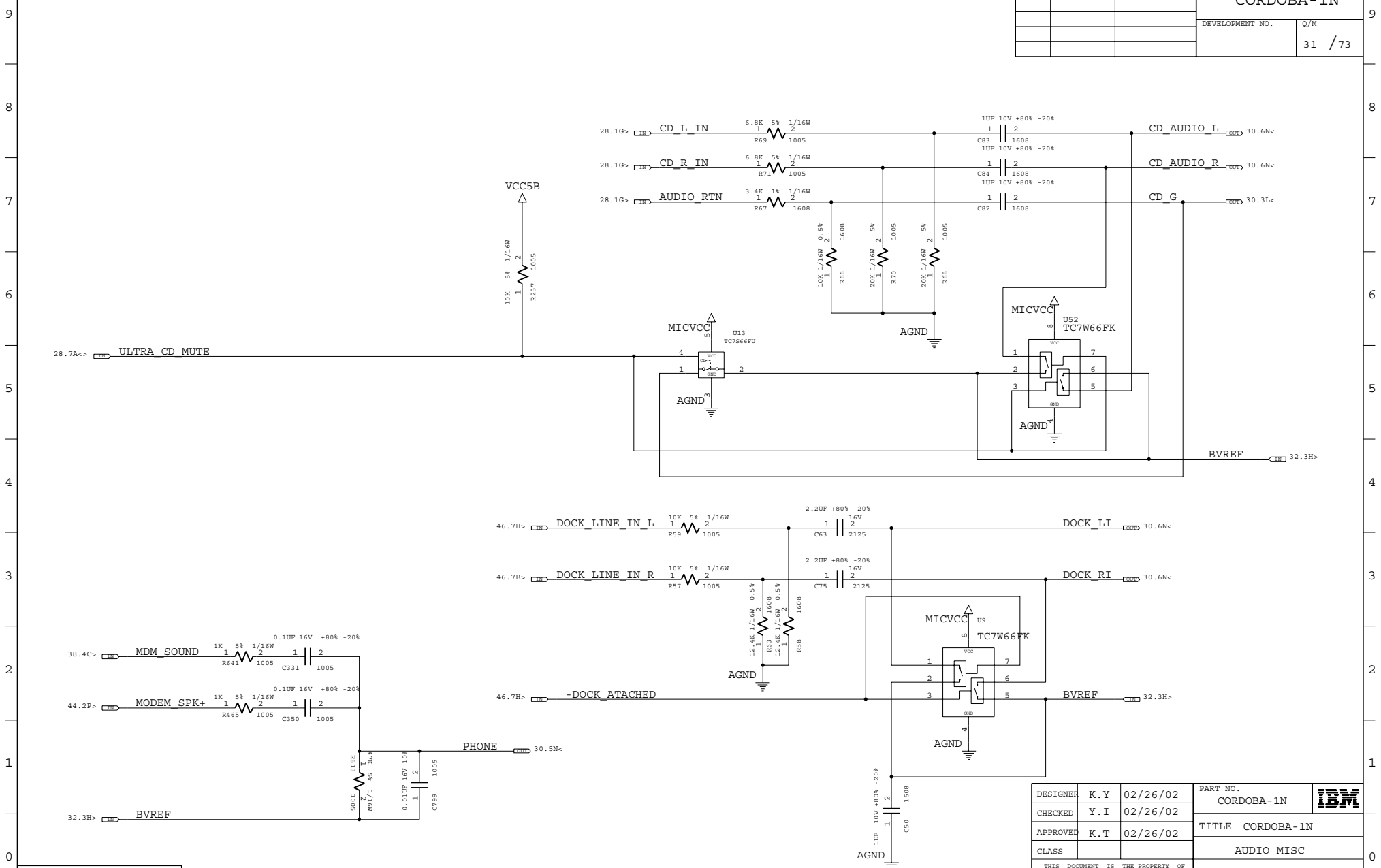
PLACE UNDER AD1881A

CORDOBA-1N

DESIGNER	K.Y	02/26/02	PART NO.	CORDOBA-1N	
CHECKED	Y.I	02/26/02	TITLE	CORDOBA-1N	
APPROVED	K.T	02/26/02		AUDIO AD1881A	
CLASS					
THIS DOCUMENT IS THE PROPERTY OF IBM. ITS USE IS AUTHORIZED ONLY FOR RESPONDING TO A REQUEST FOR QUOTATION OR FOR THE PERFORMANCE OF WORK FOR IBM. ALL QUESTIONS MUST BE REFERRED TO THE IBM PURCHASING DEPARTMENT.					IBM CONFIDENTIAL

A B C D E F G H J K L M N P Q

DATE	EC NO.	PART NO.	
		CORDOBA-1N	
		DEVELOPMENT NO.	Q/M
		31	/73

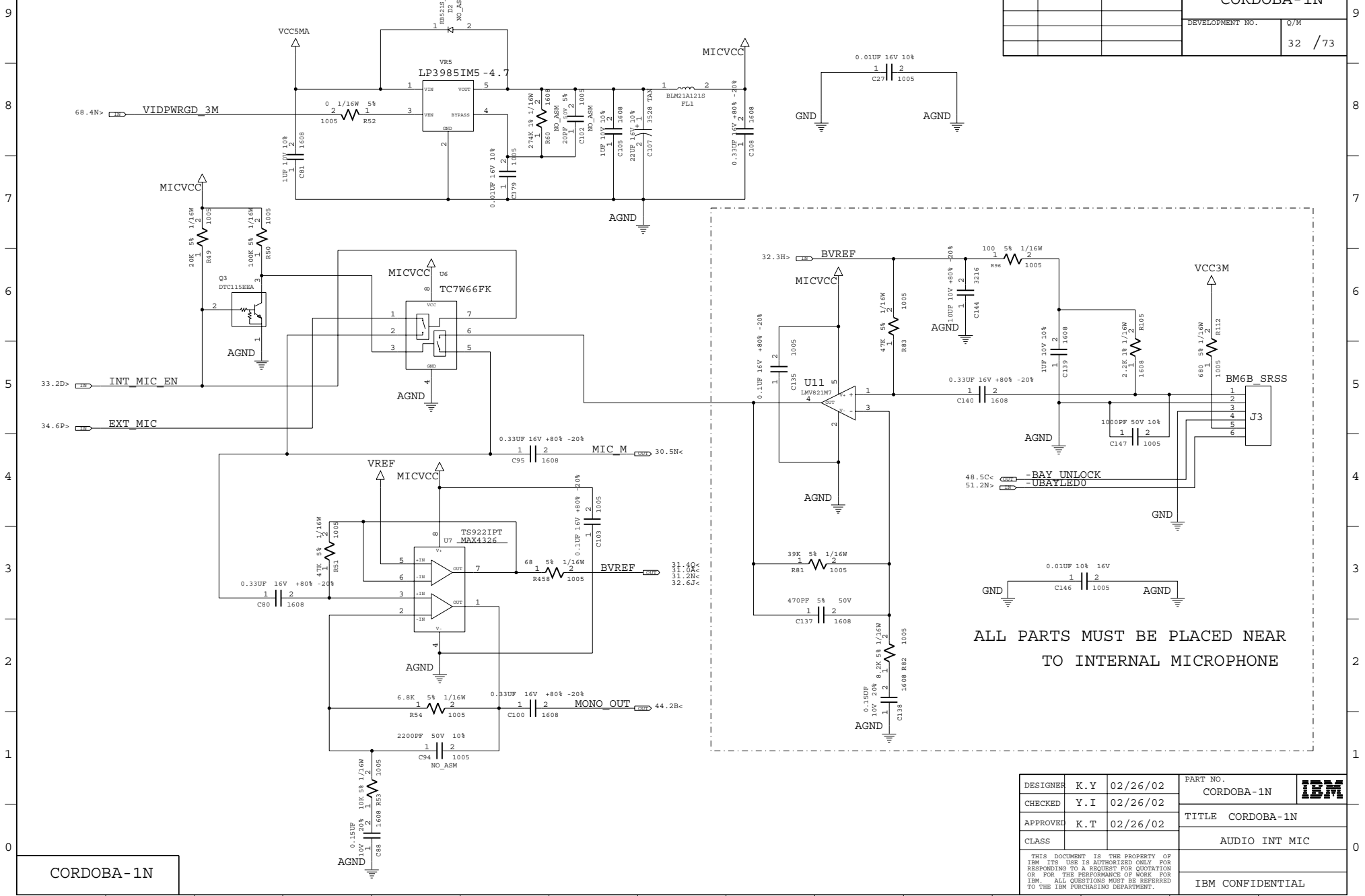


CORDOBA-1N

DESIGNER	K.Y	02/26/02	PART NO.	CORDOBA-1N	
CHECKED	Y.I	02/26/02	TITLE	CORDOBA-1N	
APPROVED	K.T	02/26/02		AUDIO MISC	
CLASS					
THIS DOCUMENT IS THE PROPERTY OF IBM. ITS USE IS AUTHORIZED ONLY FOR RESPONDING TO A REQUEST FOR QUOTATION OR FOR THE PERFORMANCE OF WORK FOR IBM. ALL QUESTIONS MUST BE REFERRED TO THE IBM PURCHASING DEPARTMENT.					IBM CONFIDENTIAL

A B C D E F G H J K L M N P Q

DATE	BC NO.	PART NO.	
		CORDOBA-1N	
		DEVELOPMENT NO.	Q/M
			32 / 73



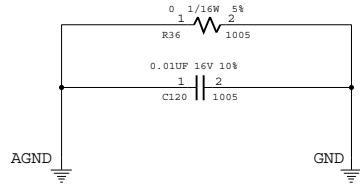
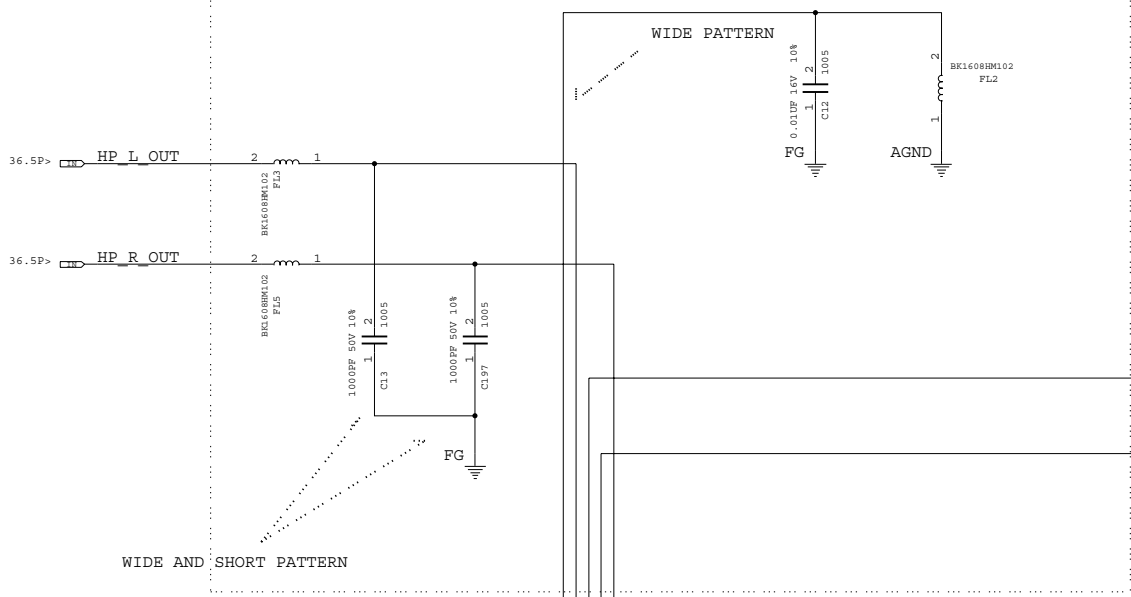
CORDOBA-1N

DESIGNER	K.Y	02/26/02	PART NO.	CORDOBA-1N	
CHECKED	Y.I	02/26/02	TITLE		
APPROVED	K.T	02/26/02		AUDIO INT MIC	
CLASS					
THIS DOCUMENT IS THE PROPERTY OF IBM. ITS USE IS AUTHORIZED ONLY FOR RESPONDING TO A REQUEST FOR QUOTATION OR FOR THE PERFORMANCE OF WORK FOR IBM. ALL QUESTIONS MUST BE REFERRED TO THE IBM PURCHASING DEPARTMENT.					
IBM CONFIDENTIAL					

A B C D E F G H J K L M N P Q

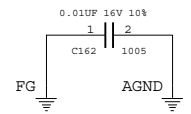
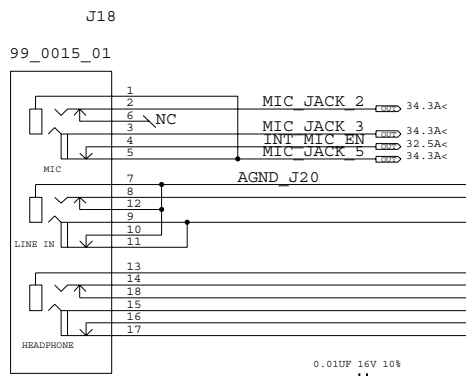
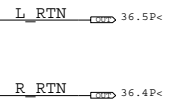
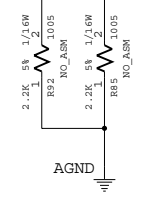
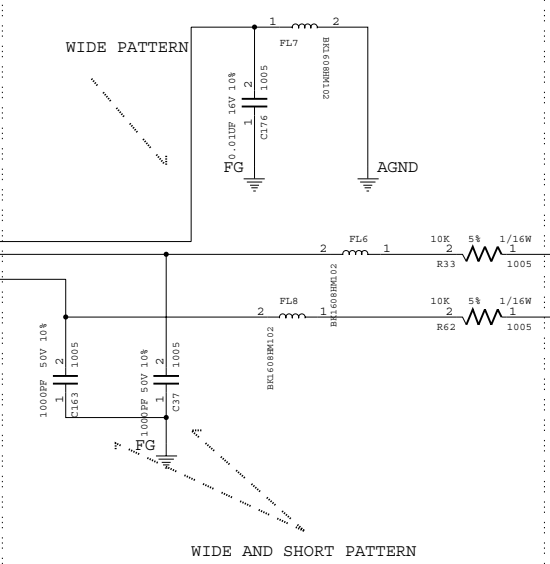
DATE	EC NO.	PART NO.	
		CORDOBA-1N	
		DEVELOPMENT NO.	Q/M
			33 / 73

NEAR HEADPHONE CONN



WIDE AND SHORT PATTERN

NEAR LINE CONN



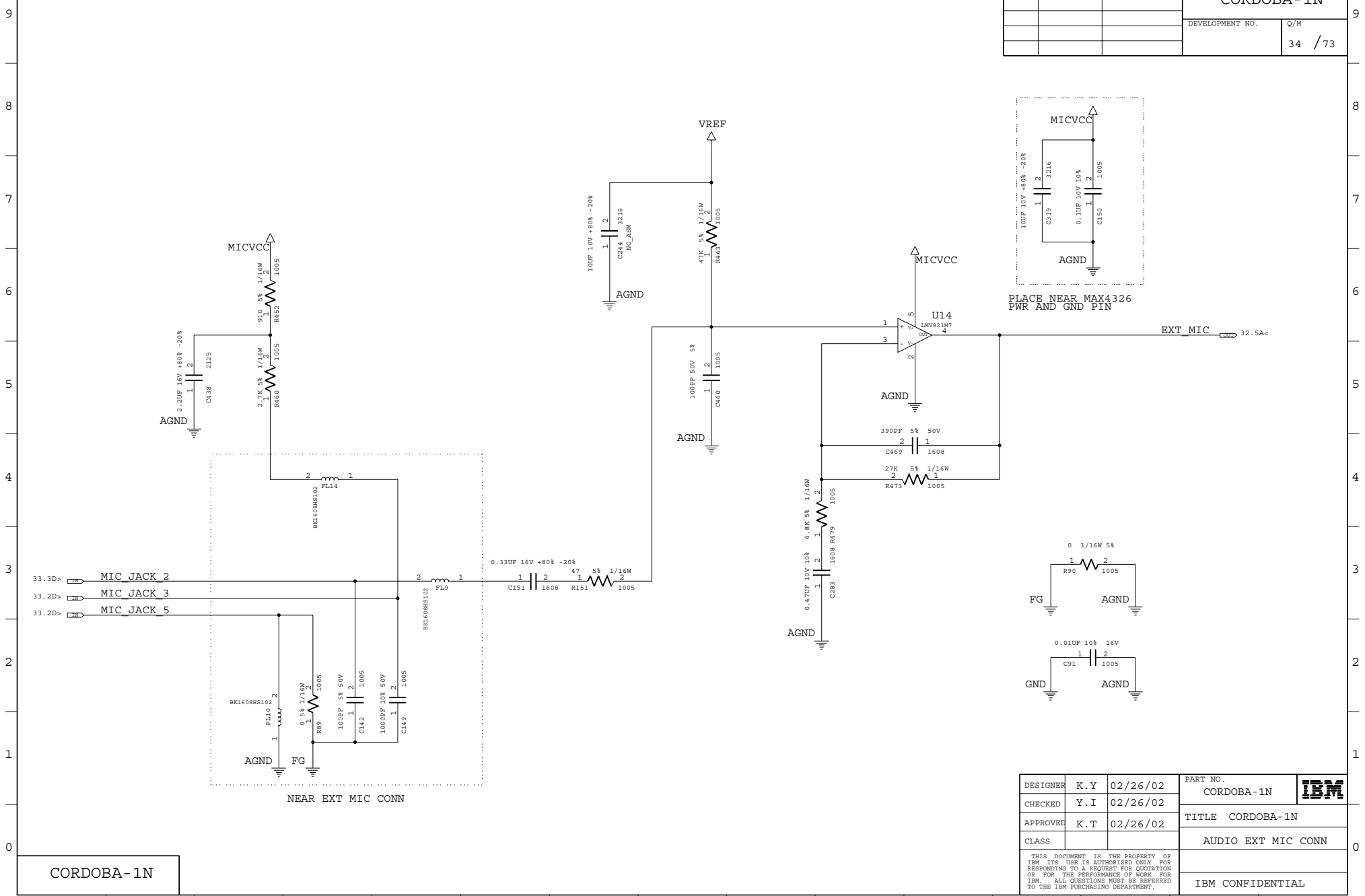
DESIGNER	K.Y	02/26/02	PART NO.	CORDOBA-1N	IBM
CHECKED	Y.I	02/26/02	TITLE	CORDOBA-1N	
APPROVED	K.T	02/26/02	AUDIO HP & LINE IN CONN		
CLASS					
THIS DOCUMENT IS THE PROPERTY OF IBM. ITS USE IS AUTHORIZED ONLY FOR RESPONDING TO A REQUEST FOR QUOTATION OR FOR THE PERFORMANCE OF WORK FOR IBM. ALL QUESTIONS MUST BE REFERRED TO THE IBM PURCHASING DEPARTMENT.					
IBM CONFIDENTIAL					

CORDOBA-1N

A B C D E F G H J K L M N P Q

A B C D E F G H J K L M N P Q

DATE	EC NO.	PART NO.	
		CORDOBA-1N	
		DEVELOPMENT NO.	Q/M
			34 / 73



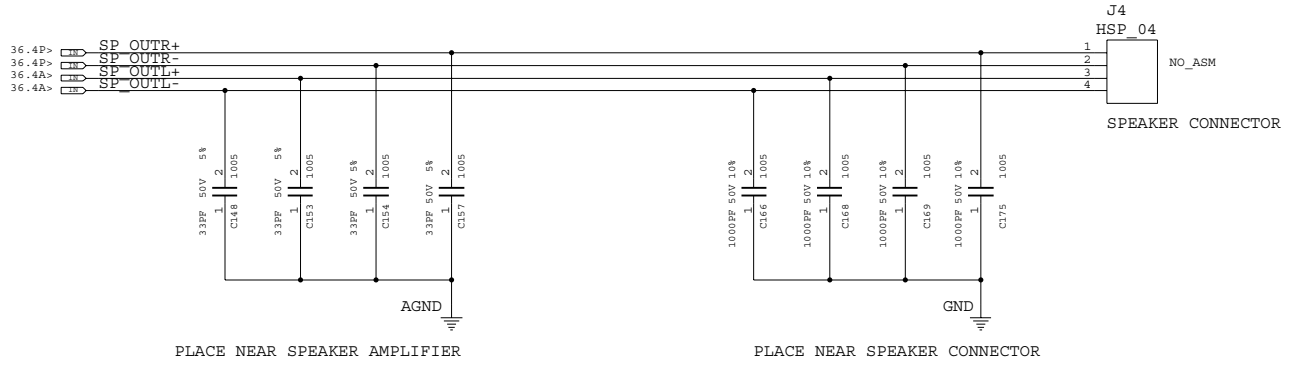
CORDOBA-1N

DESIGNER	K.Y	02/26/02	PART NO.	CORDOBA-1N	
CHECKED	Y.I	02/26/02	TITLE	CORDOBA-1N	
APPROVED	K.T	02/26/02		AUDIO EXT MIC CONN	
CLASS			THIS DOCUMENT IS THE PROPERTY OF IBM. ITS USE IS AUTHORIZED ONLY FOR RESPONDING TO A REQUEST FOR QUOTATION OR FOR THE PERFORMANCE OF WORK FOR IBM. ALL QUESTIONS MUST BE REFERRED TO THE IBM PURCHASING DEPARTMENT.		
				IBM CONFIDENTIAL	

A B C D E F G H J K L M N P Q

A B C D E F G H J K L M N P Q

DATE	EC NO.	PART NO.	
		CORDOBA-1N	
		DEVELOPMENT NO.	Q/M
		35	/73

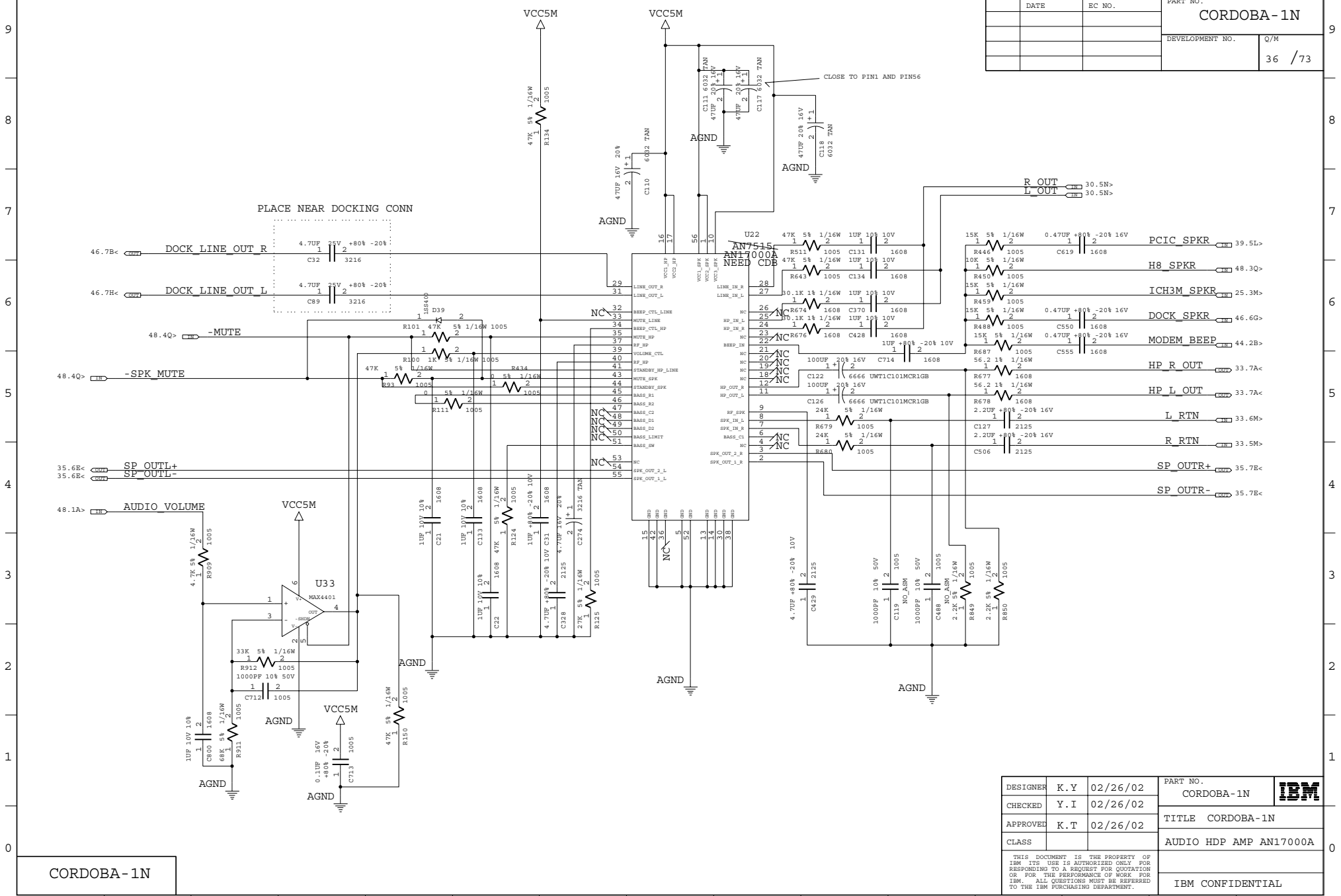


CORDOBA-1N

DESIGNER	K.Y	02/26/02	PART NO.	CORDOBA-1N	
CHECKED	Y.I	02/26/02	TITLE		
APPROVED	K.T	02/26/02		AUDIO SPEAKER	
CLASS					
THIS DOCUMENT IS THE PROPERTY OF IBM. ITS USE IS AUTHORIZED ONLY FOR RESPONDING TO A REQUEST FOR QUOTATION OR FOR THE PERFORMANCE OF WORK FOR IBM. ALL QUESTIONS MUST BE REFERRED TO THE IBM PURCHASING DEPARTMENT.					IBM CONFIDENTIAL

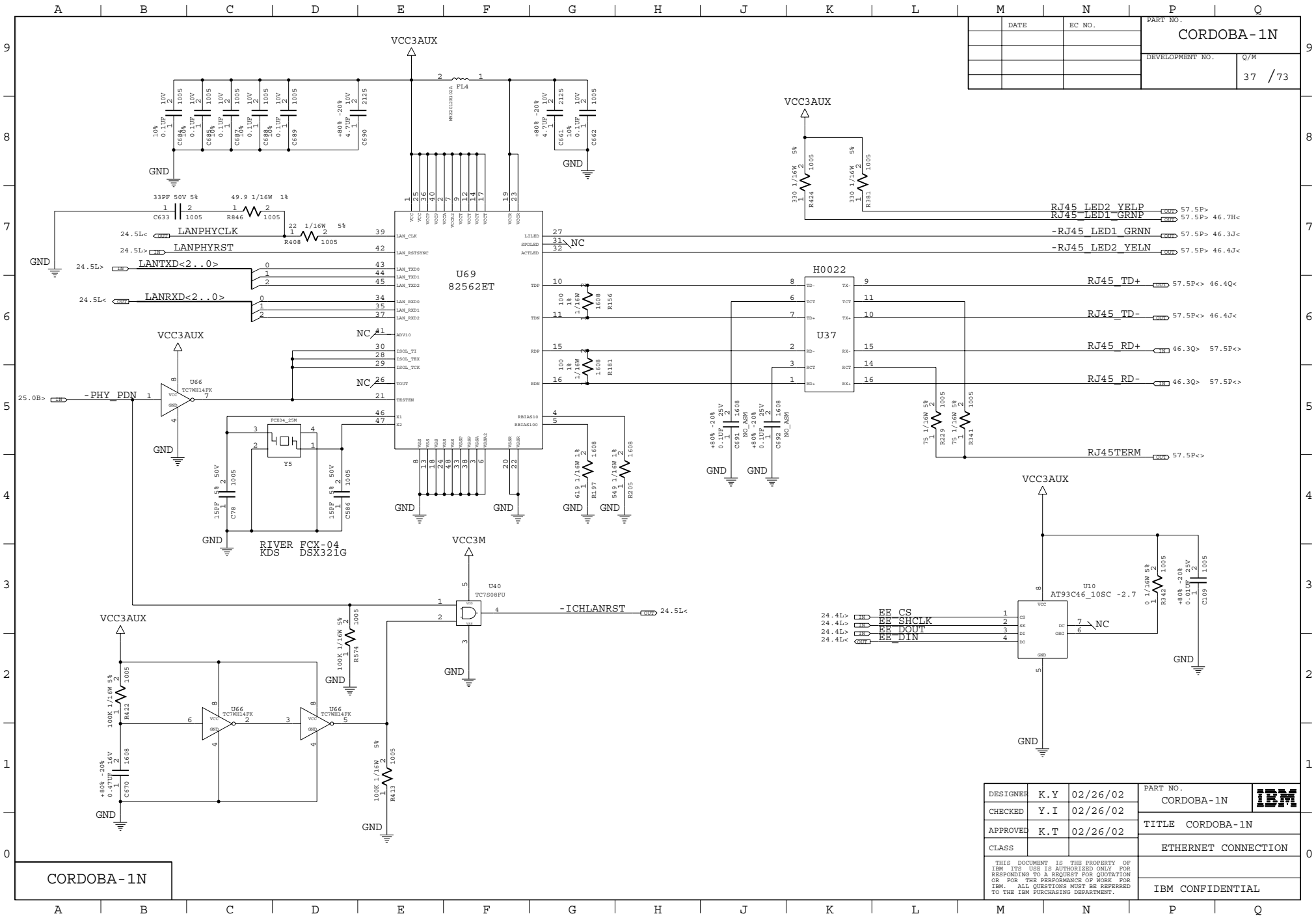
A B C D E F G H J K L M N P Q

DATE	EC NO.	PART NO.
		CORDOBA-1N
DEVELOPMENT NO.		Q/M
		36 / 73



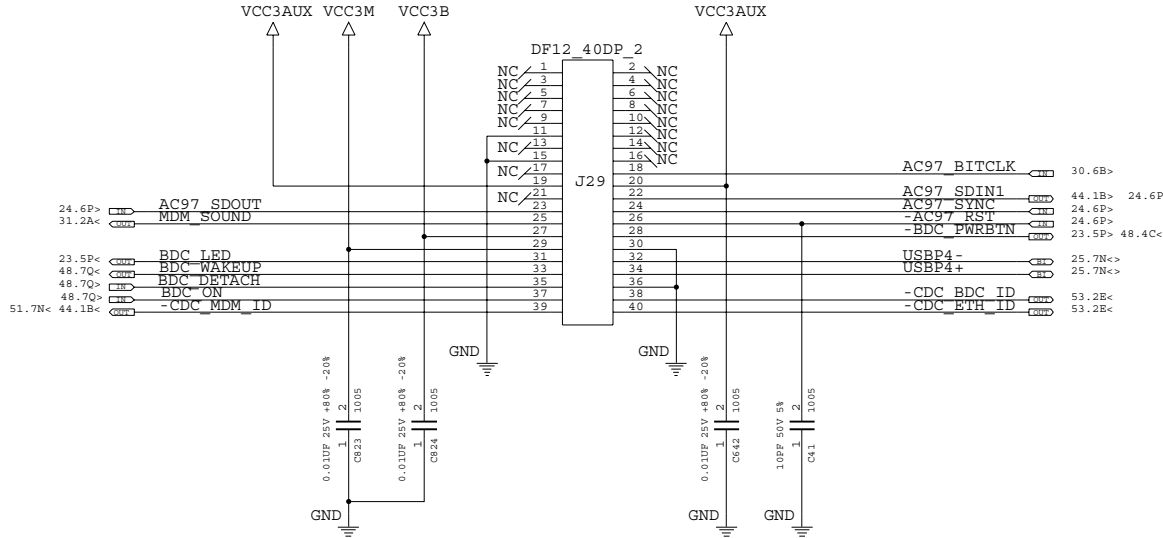
CORDOBA-1N

DESIGNER	K.Y	02/26/02	PART NO.	CORDOBA-1N	
CHECKED	Y.I	02/26/02	TITLE	CORDOBA-1N	
APPROVED	K.T	02/26/02	AUDIO HDP AMP AN17000A		
CLASS	THIS DOCUMENT IS THE PROPERTY OF IBM. ITS USE IS AUTHORIZED ONLY FOR RESPONDING TO A REQUEST FOR QUOTATION OR FOR THE PERFORMANCE OF WORK FOR IBM. ALL QUESTIONS MUST BE REFERRED TO THE IBM PURCHASING DEPARTMENT.				
					IBM CONFIDENTIAL



A B C D E F G H J K L M N P Q

DATE	EC NO.	PART NO.	
		CORDOBA-1N	
		DEVELOPMENT NO.	Q/M
		38	/73



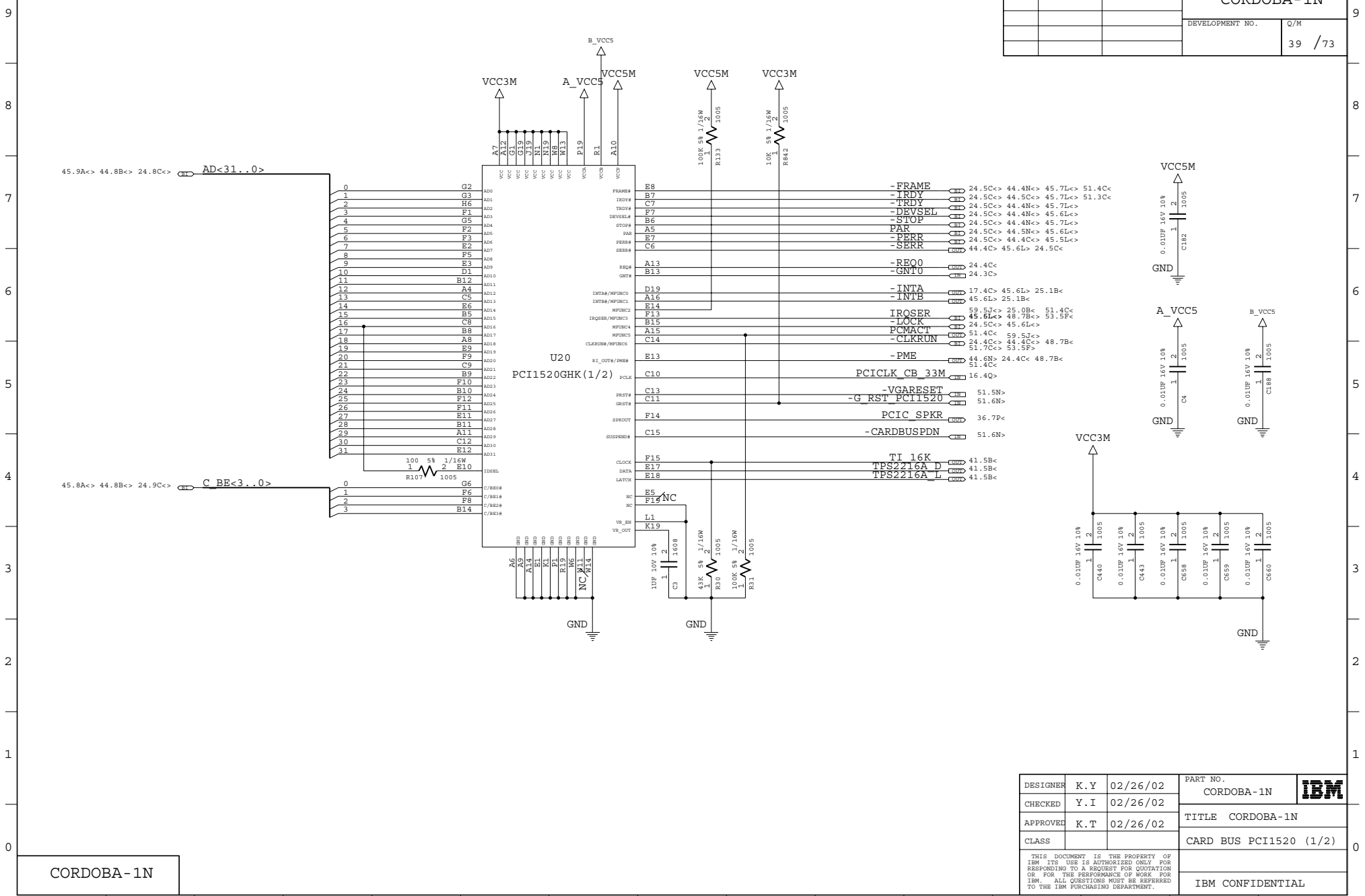
CORDOBA-1N

DESIGNER	K.Y	02/26/02	PART NO.	CORDOBA-1N	IBM
CHECKED	Y.I	02/26/02	TITLE		
APPROVED	K.T	02/26/02	CDC CONNECTOR		
CLASS			IBM CONFIDENTIAL		

THIS DOCUMENT IS THE PROPERTY OF IBM. ITS USE IS AUTHORIZED ONLY FOR RESPONDING TO A REQUEST FOR QUOTATION OR FOR THE PERFORMANCE OF WORK FOR IBM. ALL QUESTIONS MUST BE REFERRED TO THE IBM PURCHASING DEPARTMENT.

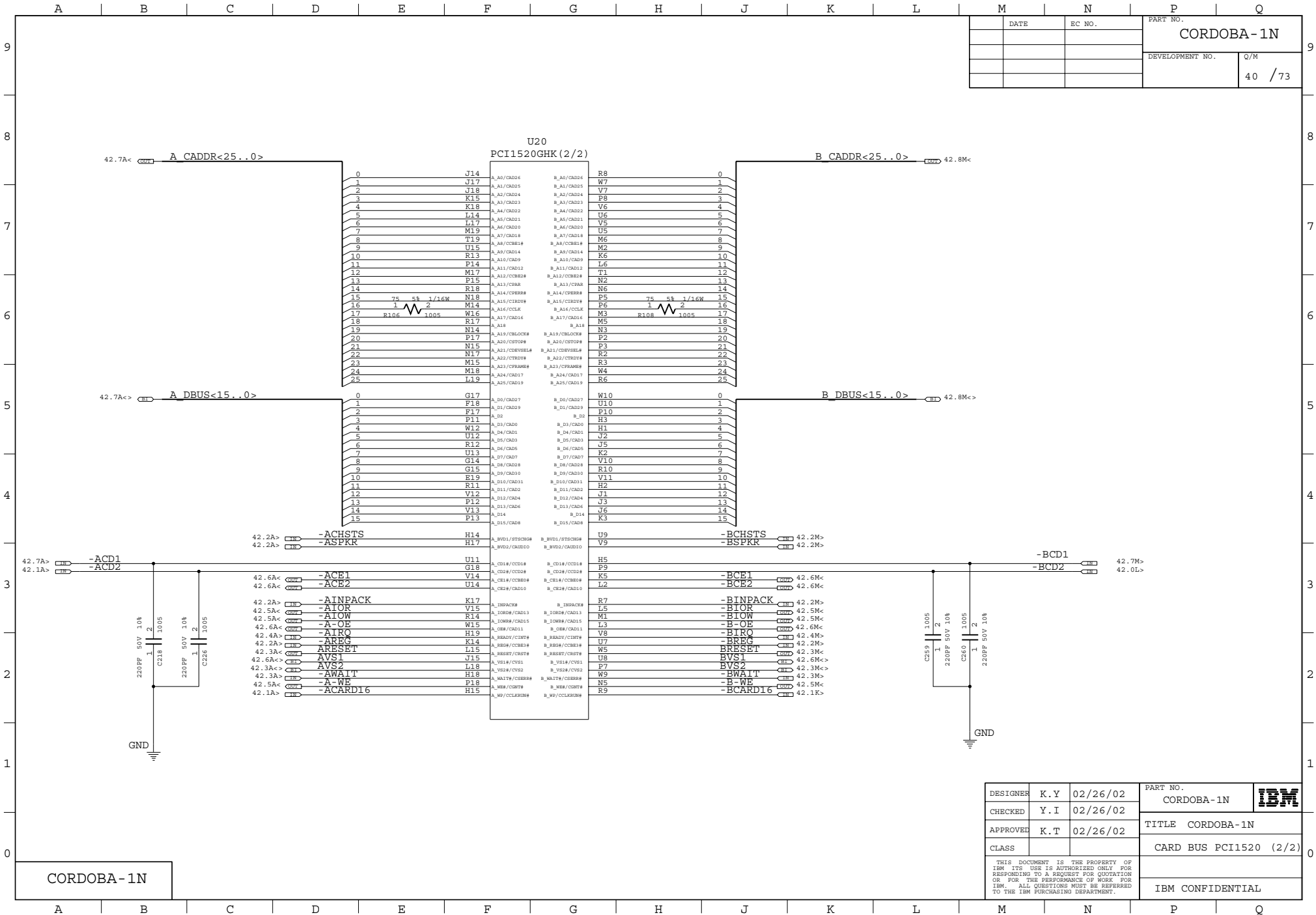
A B C D E F G H J K L M N P Q

DATE	EC NO.	PART NO.	
		CORDOBA-1N	
		DEVELOPMENT NO.	Q/M
		39	/73



CORDOBA-1N

DESIGNER	K.Y	02/26/02	PART NO.	CORDOBA-1N	IBM
CHECKED	Y.I	02/26/02	TITLE		
APPROVED	K.T	02/26/02	CARD BUS	PCI1520 (1/2)	
CLASS			THIS DOCUMENT IS THE PROPERTY OF IBM. ITS USE IS AUTHORIZED ONLY FOR RESPONDING TO A REQUEST FOR QUOTATION OR FOR THE PERFORMANCE OF WORK FOR IBM. ALL QUESTIONS MUST BE REFERRED TO THE IBM PURCHASING DEPARTMENT.		
			IBM CONFIDENTIAL		



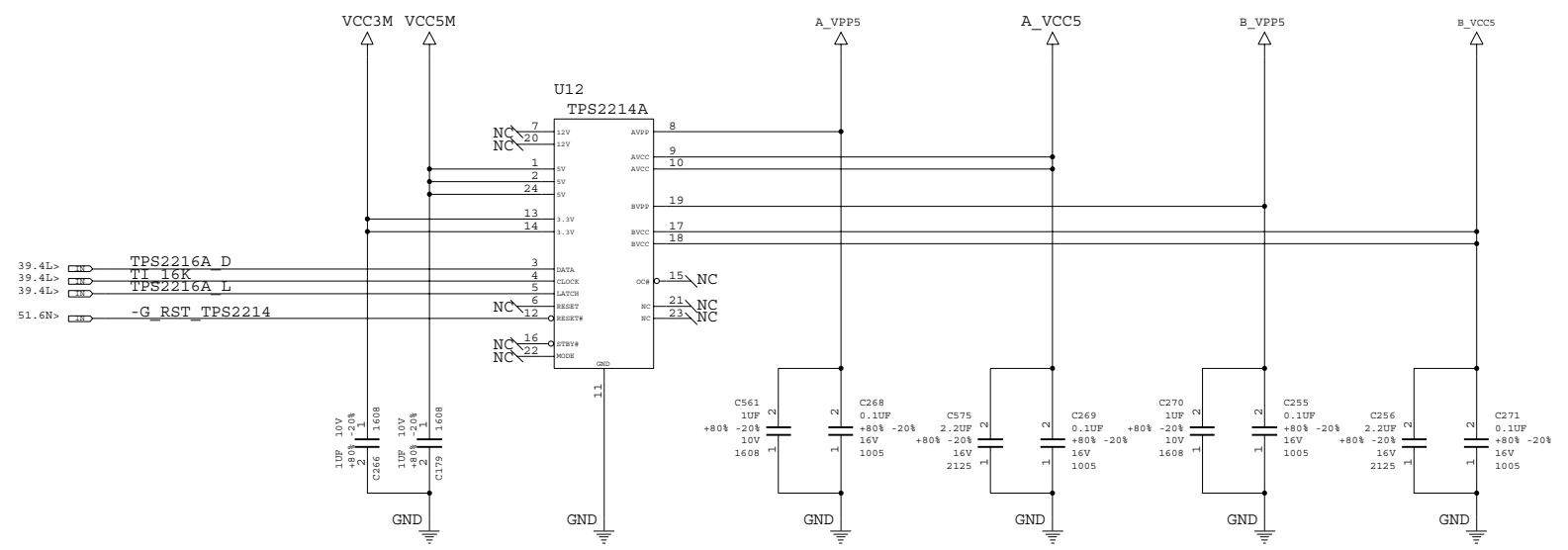
DATE	EC NO.	PART NO.	
		CORDOBA-1N	
		DEVELOPMENT NO.	Q/M
		40	/73

DESIGNER	K.Y	02/26/02	PART NO.	CORDOBA-1N	
CHECKED	Y.I	02/26/02	TITLE		
APPROVED	K.T	02/26/02	CLASS	CARD BUS PCI1520 (2/2)	
THIS DOCUMENT IS THE PROPERTY OF IBM. ITS USE IS AUTHORIZED ONLY FOR RESPONDING TO A REQUEST FOR QUOTATION OR FOR THE PERFORMANCE OF WORK FOR IBM. ALL QUESTIONS MUST BE REFERRED TO THE IBM PURCHASING DEPARTMENT.					IBM CONFIDENTIAL

CORDOBA-1N

A B C D E F G H J K L M N P Q

DATE	EC NO.	PART NO.	
		CORDOBA-1N	
		DEVELOPMENT NO.	Q/M
		41	/73

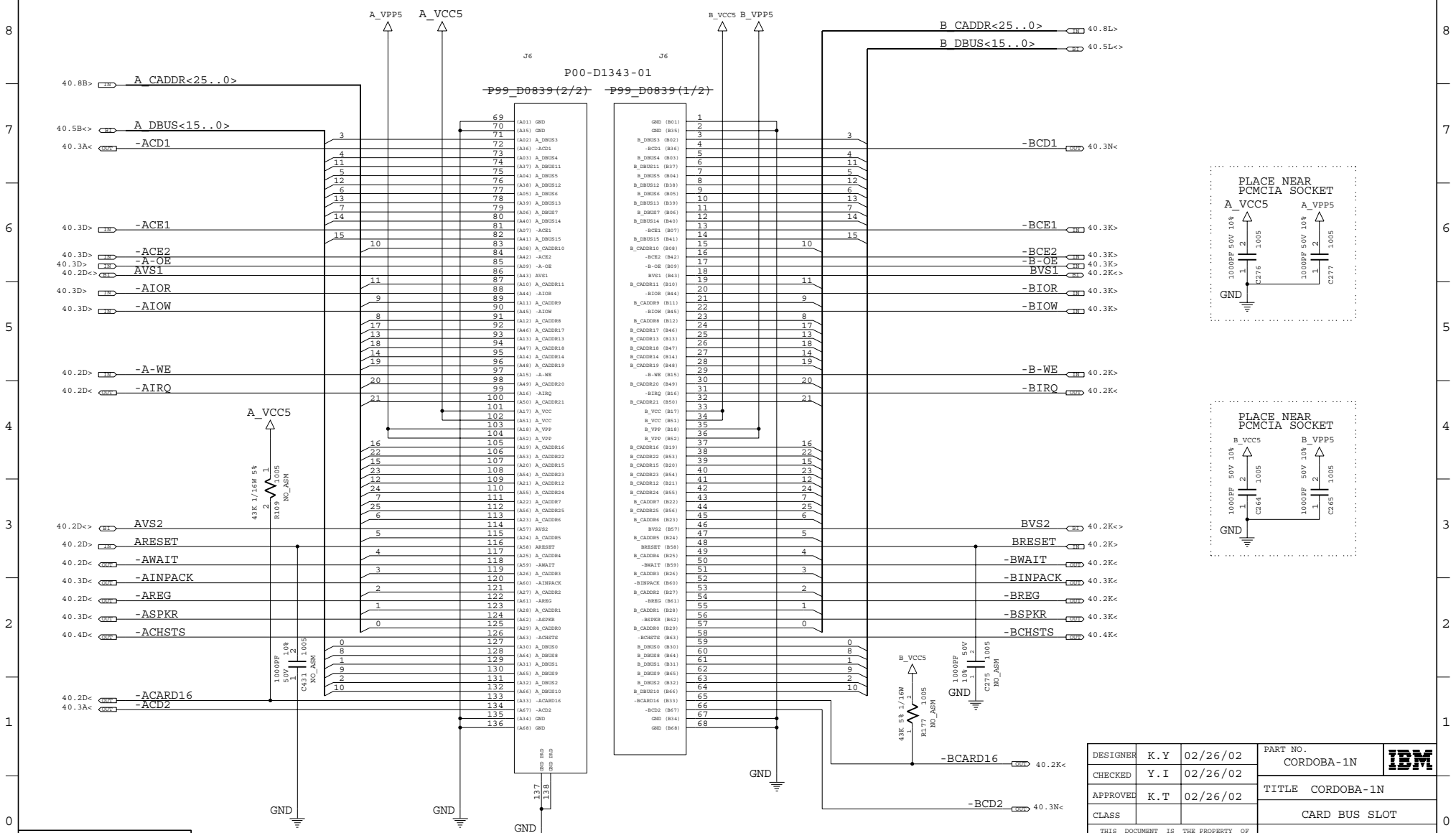


CORDOBA-1N

DESIGNER	K.Y	02/26/02	PART NO.	CORDOBA-1N	IBM
CHECKED	Y.I	02/26/02	TITLE		
APPROVED	K.T	02/26/02	CARD BUS POWER CONTROL		
CLASS					
THIS DOCUMENT IS THE PROPERTY OF IBM. ITS USE IS AUTHORIZED ONLY FOR RESPONDING TO A REQUEST FOR QUOTATION OR FOR THE PERFORMANCE OF WORK FOR IBM. ALL QUESTIONS MUST BE REFERRED TO THE IBM PURCHASING DEPARTMENT.					IBM CONFIDENTIAL

A B C D E F G H J K L M N P Q

DATE	EC NO.	PART NO.	
		CORDOBA-1N	
		DEVELOPMENT NO.	Q/M
		42	/73

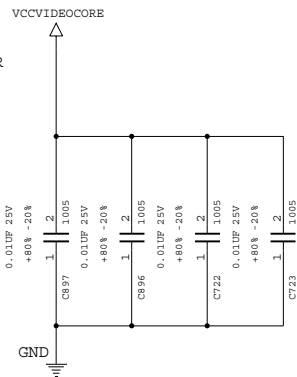
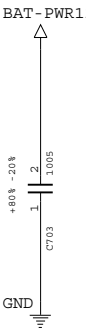
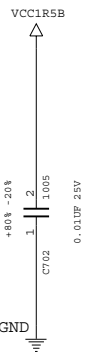
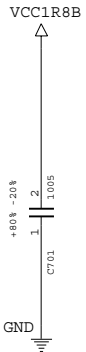
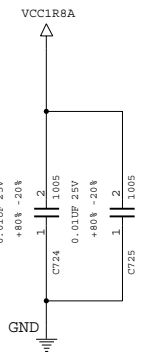
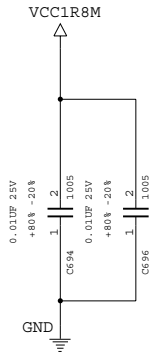
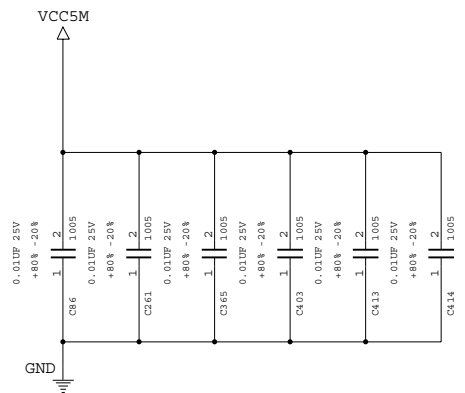
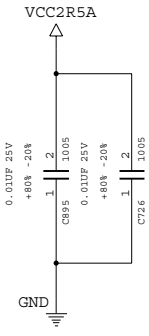
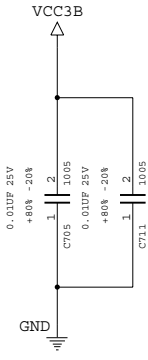
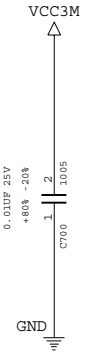
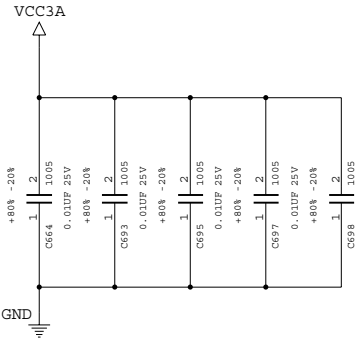
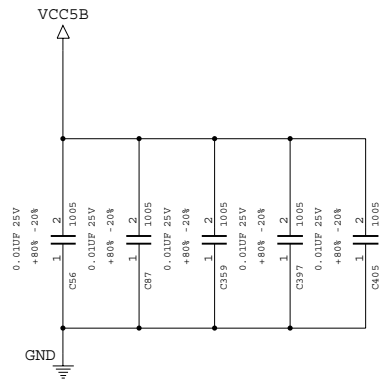


CORDOBA-1N

DESIGNER	K.Y	02/26/02	PART NO.	CORDOBA-1N	
CHECKED	Y.I	02/26/02	TITLE	CORDOBA-1N	
APPROVED	K.T	02/26/02	CARD BUS SLOT		
THIS DOCUMENT IS THE PROPERTY OF IBM. ITS USE IS AUTHORIZED ONLY FOR RESPONDING TO A REQUEST FOR QUOTATION OR FOR THE PERFORMANCE OF WORK FOR IBM. ALL QUESTIONS MUST BE REFERRED TO THE IBM PURCHASING DEPARTMENT.					IBM CONFIDENTIAL

A B C D E F G H J K L M N P Q

DATE		EC NO.		PART NO.	
				CORDOBA-1N	
DEVELOPMENT NO.				O/M	
				43 / 73	



CORDOBA-1N

DESIGNER	K.Y	02/26/02	PART NO.	CORDOBA-1N	
CHECKED	Y.I	02/26/02	TITLE		
APPROVED	K.T	02/26/02	EMC DECOUPLING		
CLASS					
THIS DOCUMENT IS THE PROPERTY OF IBM. ITS USE IS AUTHORIZED ONLY FOR RESPONDING TO A REQUEST FOR QUOTATION OR FOR THE PERFORMANCE OF WORK FOR IBM. ALL QUESTIONS MUST BE REFERRED TO THE IBM PURCHASING DEPARTMENT.					
IBM CONFIDENTIAL					

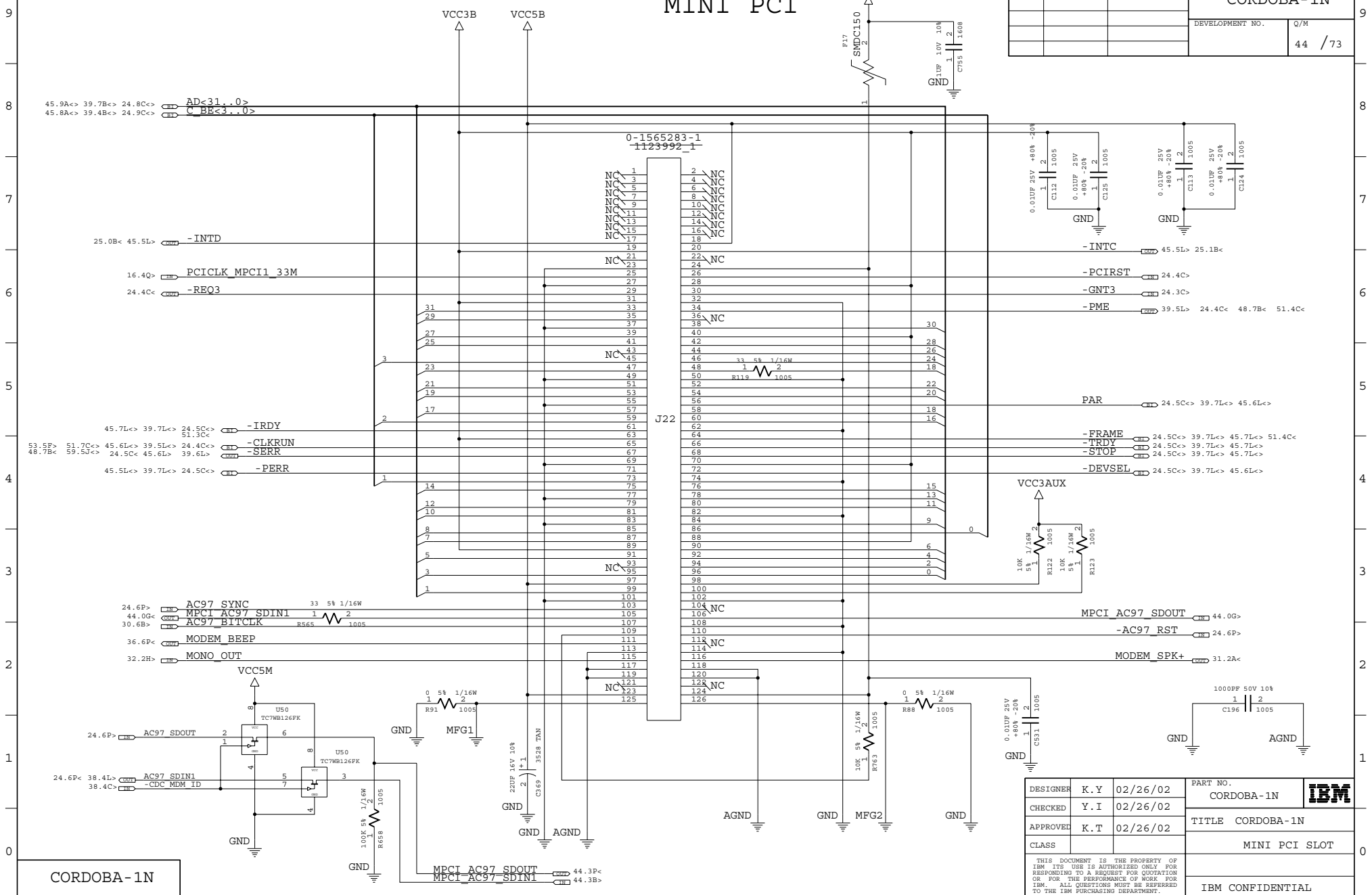
A B C D E F G H J K L M N P Q

A B C D E F G H J K L M N P Q

MINI PCI

CORDOBA-1N

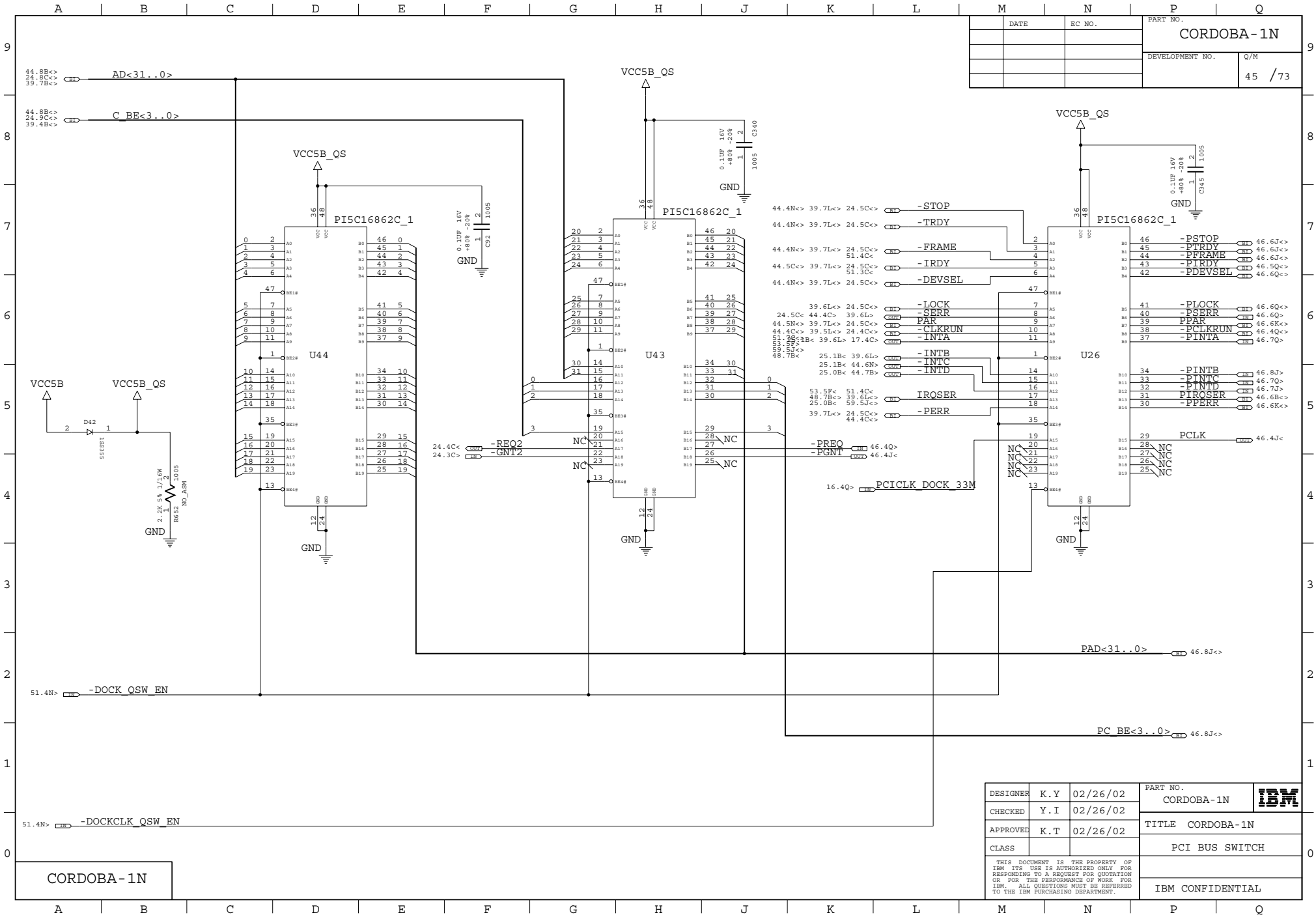
DATE	EC NO.	PART NO.
		CORDOBA-1N
DEVELOPMENT NO.		Q/M
		44 / 73



CORDOBA-1N

DESIGNER	K.Y	02/26/02	PART NO.	CORDOBA-1N	
CHECKED	Y.I	02/26/02	TITLE	CORDOBA-1N	
APPROVED	K.T	02/26/02	MINI PCI SLOT		
CLASS	THIS DOCUMENT IS THE PROPERTY OF IBM. ITS USE IS AUTHORIZED ONLY FOR RESPONDING TO A REQUEST FOR QUOTATION OR FOR THE PERFORMANCE OF WORK FOR IBM. ALL QUESTIONS MUST BE REFERRED TO THE IBM PURCHASING DEPARTMENT.				
					IBM CONFIDENTIAL

A B C D E F G H J K L M N P Q

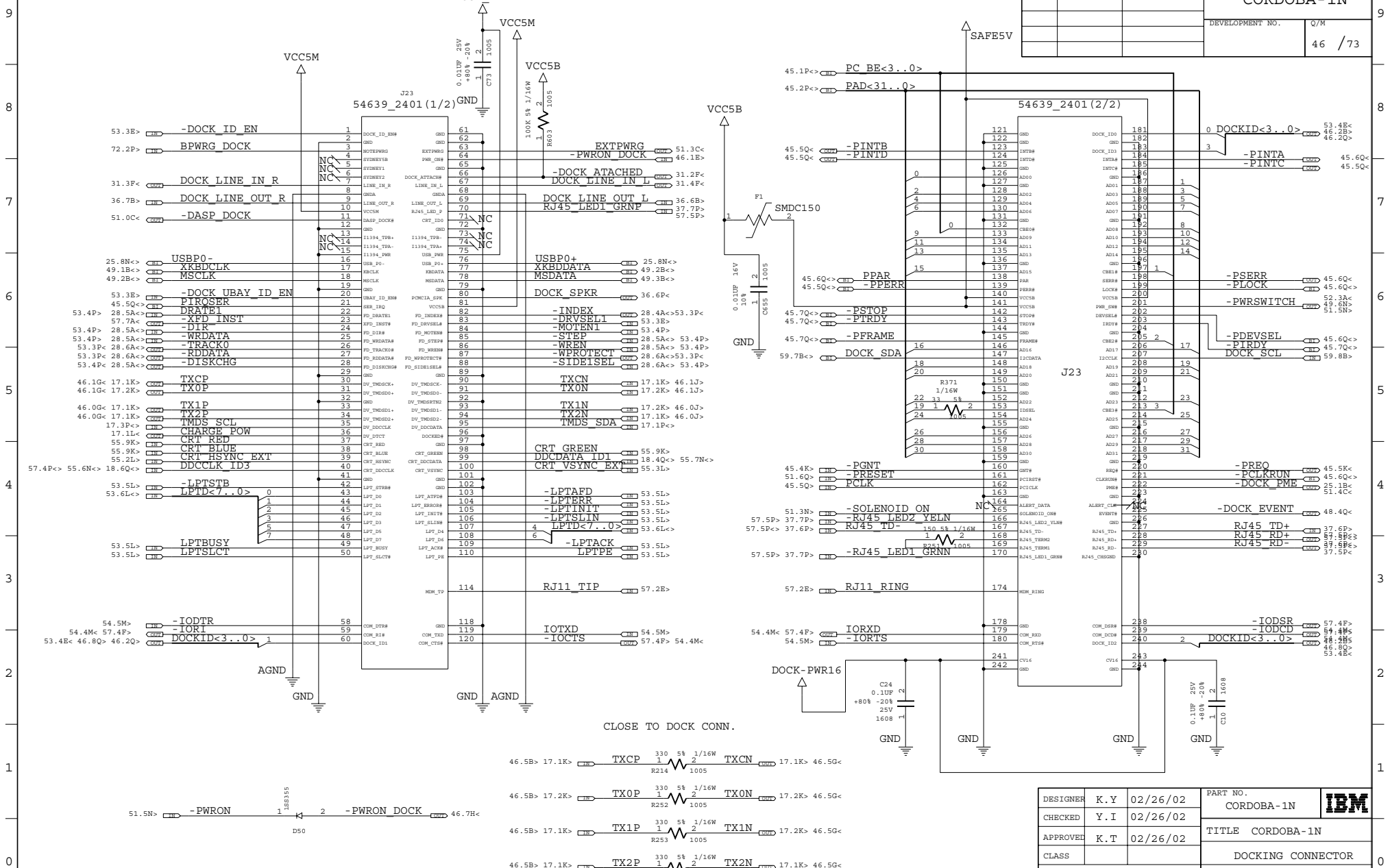


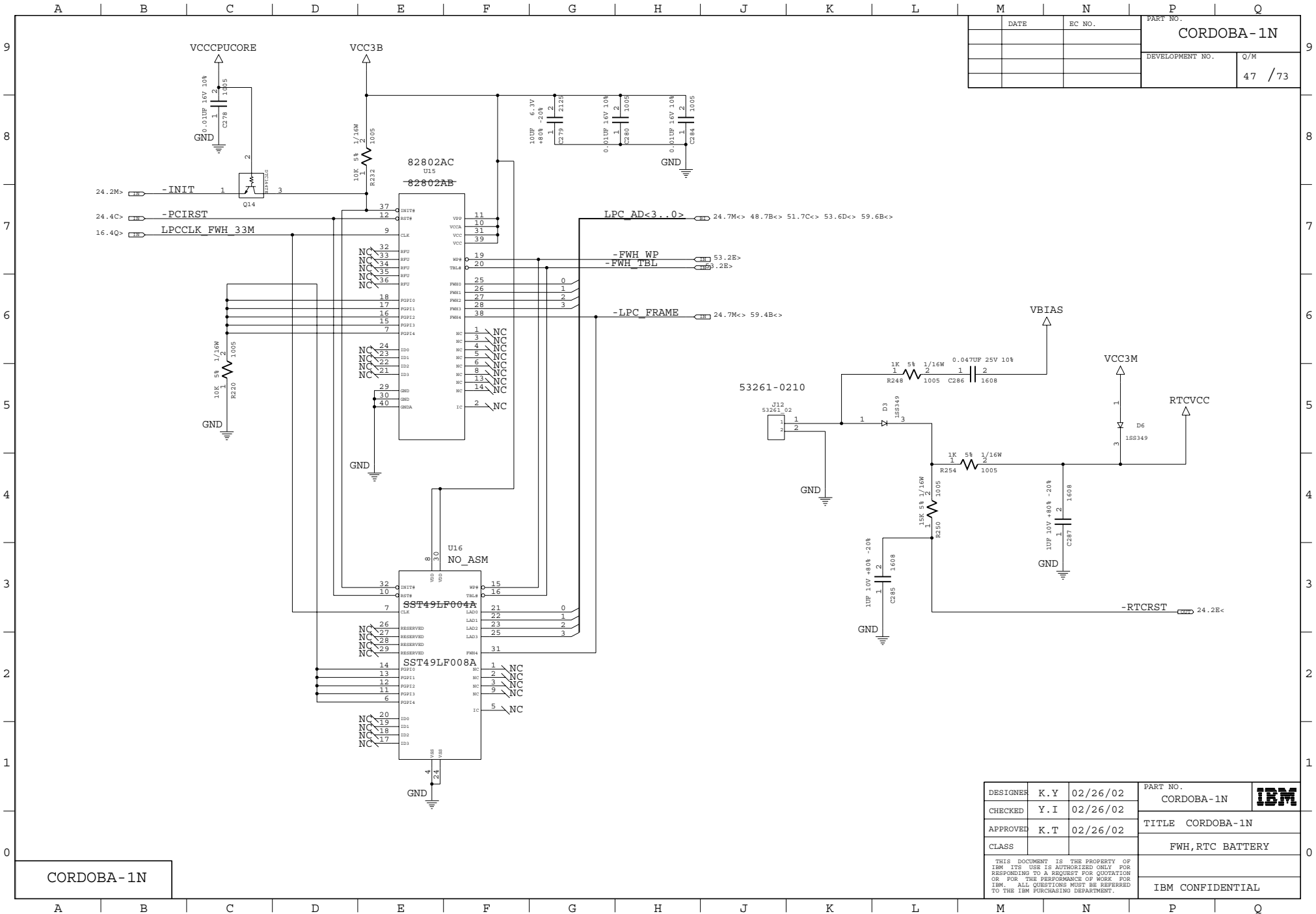
DATE	EC NO.	PART NO.	
		CORDOBA-1N	
		DEVELOPMENT NO.	Q/M
		45	/73

DESIGNER	K.Y	02/26/02	PART NO.	CORDOBA-1N	
CHECKED	Y.I	02/26/02	TITLE	CORDOBA-1N	
APPROVED	K.T	02/26/02		PCI BUS SWITCH	
CLASS					
THIS DOCUMENT IS THE PROPERTY OF IBM. ITS USE IS AUTHORIZED ONLY FOR RESPONDING TO A REQUEST FOR QUOTATION OR FOR THE PERFORMANCE OF WORK FOR IBM. ALL QUESTIONS MUST BE REFERRED TO THE IBM PURCHASING DEPARTMENT.					IBM CONFIDENTIAL

CORDOBA-1N

DATE		EC NO.		PART NO.	
				CORDOBA-1N	
DEVELOPMENT NO.				Q/M	
				46 / 73	





DATE	BC NO.	PART NO.	
		CORDOBA-1N	
DEVELOPMENT NO.		Q/M	
		47 / 73	

DESIGNER	K.Y	02/26/02	PART NO.	CORDOBA-1N	IBM
CHECKED	Y.I	02/26/02	TITLE		
APPROVED	K.T	02/26/02	CLASS	FWH, RTC BATTERY	
THIS DOCUMENT IS THE PROPERTY OF IBM. ITS USE IS AUTHORIZED ONLY FOR RESPONDING TO A REQUEST FOR QUOTATION OR FOR THE PERFORMANCE OF WORK FOR IBM. ALL QUESTIONS MUST BE REFERRED TO THE IBM PURCHASING DEPARTMENT.					IBM CONFIDENTIAL

CORDOBA-1N

A B C D E F G H J K L M N P Q

9

8

7

6

5

4

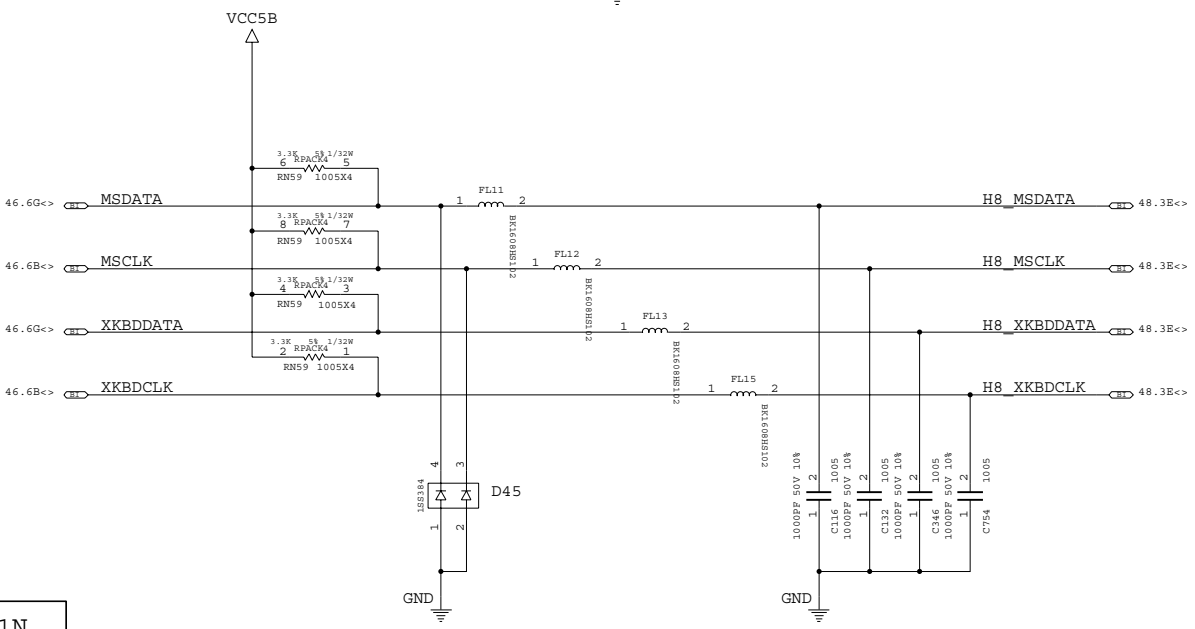
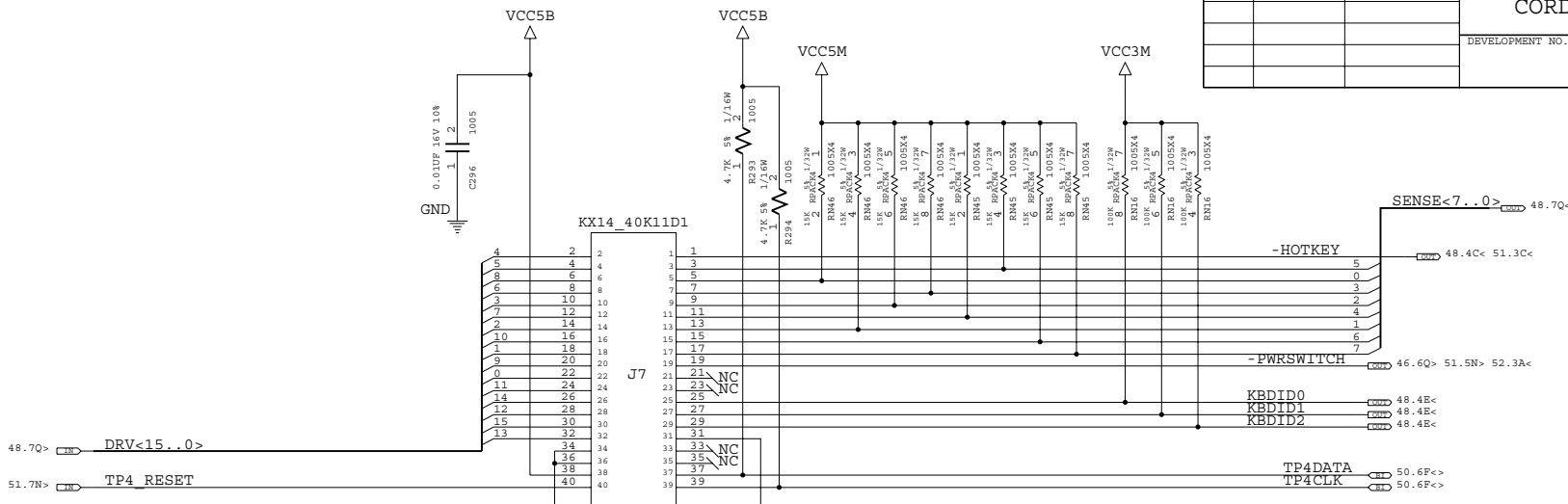
3

2

1

0

DATE	EC NO.	PART NO.	
		CORDOBA-1N	
		DEVELOPMENT NO.	Q/M
		49	/73



CORDOBA-1N

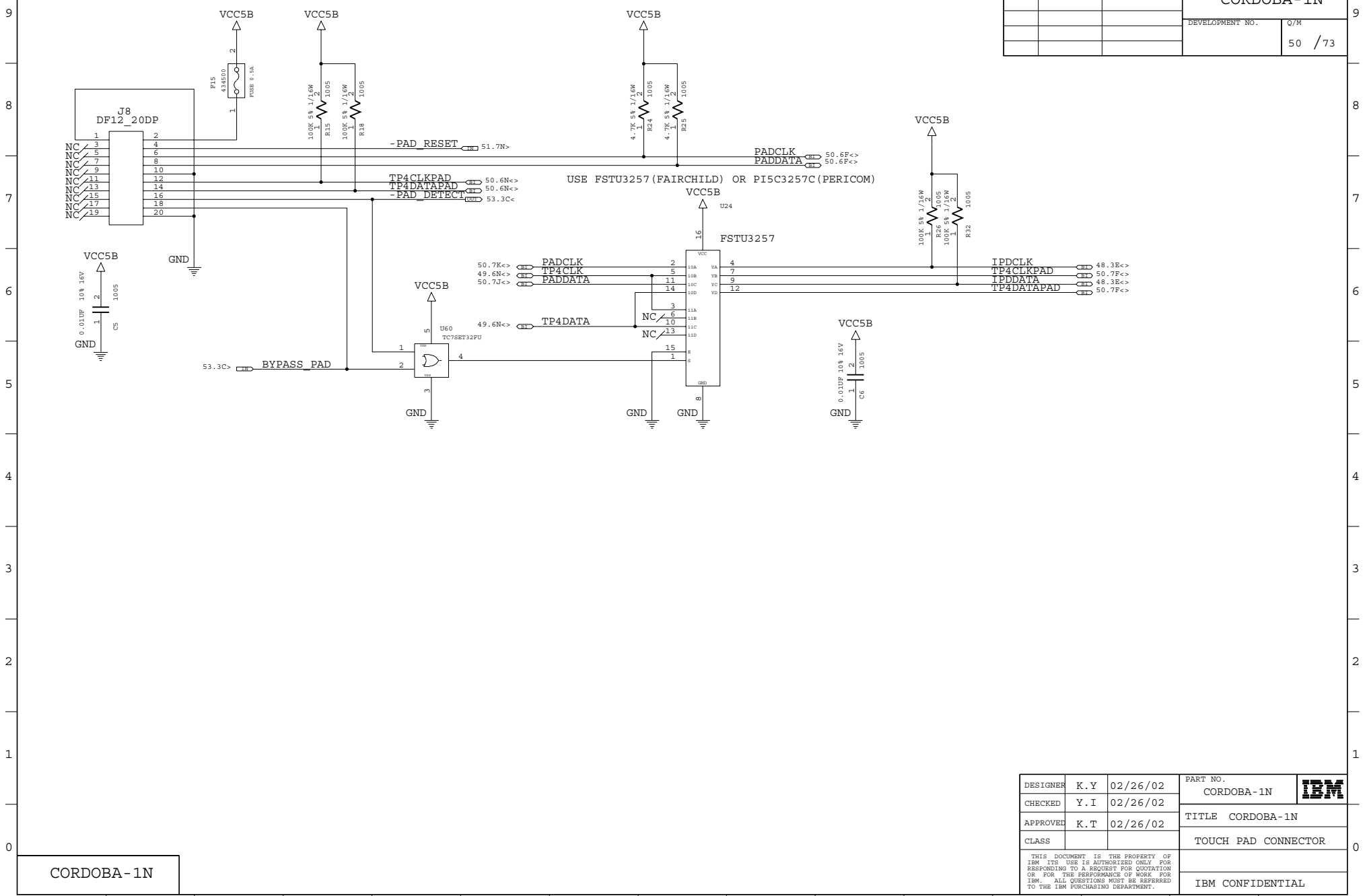
DESIGNER	K.Y	02/26/02	PART NO.	CORDOBA-1N	
CHECKED	Y.I	02/26/02	TITLE		
APPROVED	K.T	02/26/02	KEYBOARD CONNECTOR		
CLASS			IBM CONFIDENTIAL		

THIS DOCUMENT IS THE PROPERTY OF IBM. ITS USE IS AUTHORIZED ONLY FOR RESPONDING TO A REQUEST FOR QUOTATION OR FOR THE PERFORMANCE OF WORK FOR IBM. ALL QUESTIONS MUST BE REFERRED TO THE IBM PURCHASING DEPARTMENT.

A B C D E F G H J K L M N P Q

A B C D E F G H J K L M N P Q

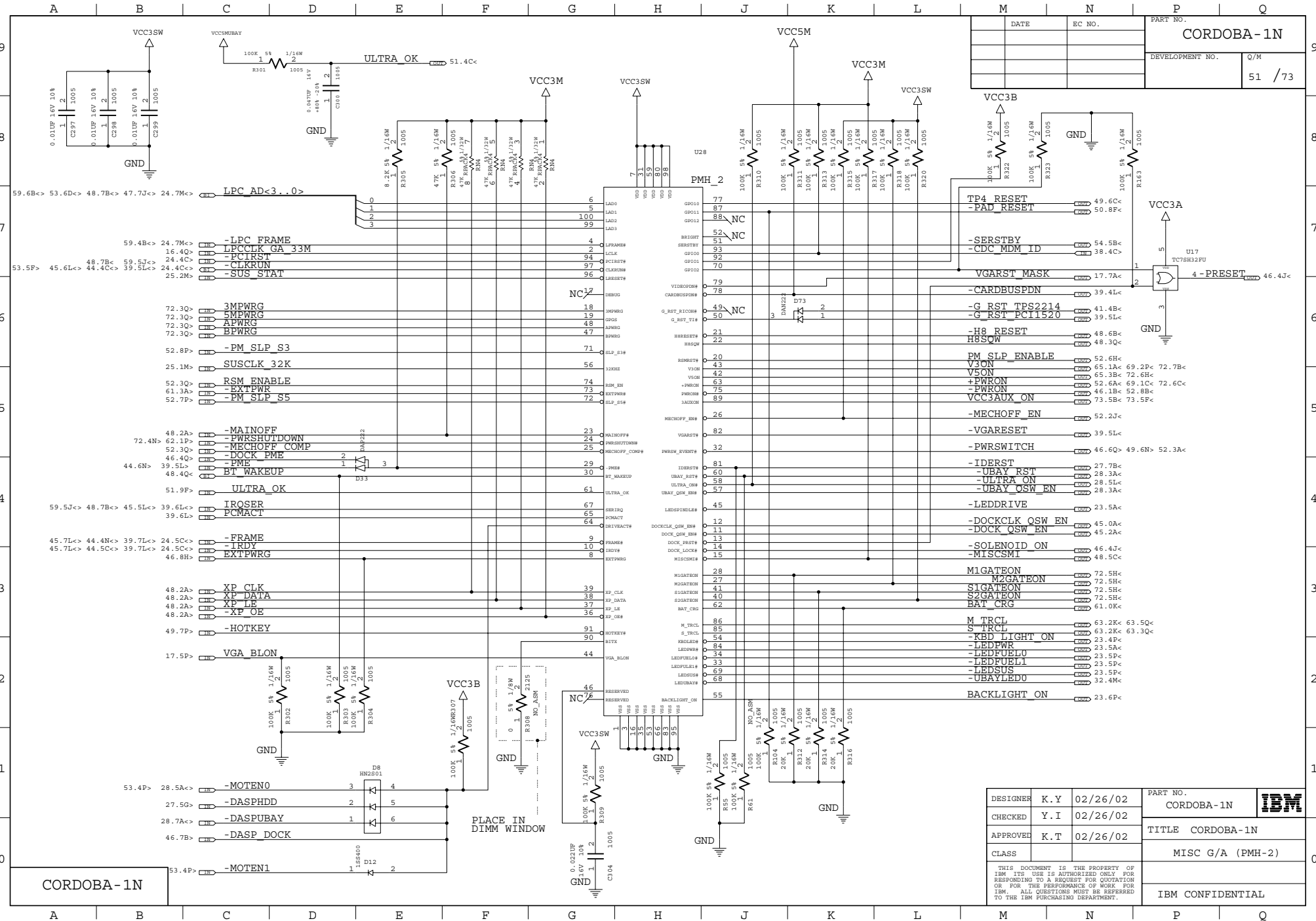
DATE	EC NO.	PART NO.	
		CORDOBA-1N	
		DEVELOPMENT NO.	Q/M
		50	/73



CORDOBA-1N

DESIGNER	K.Y	02/26/02	PART NO.	CORDOBA-1N	
CHECKED	Y.I	02/26/02	TITLE		
APPROVED	K.T	02/26/02		TOUCH PAD CONNECTOR	
CLASS					
THIS DOCUMENT IS THE PROPERTY OF IBM. ITS USE IS AUTHORIZED ONLY FOR RESPONDING TO A REQUEST FOR QUOTATION OR FOR THE PERFORMANCE OF WORK FOR IBM. ALL QUESTIONS MUST BE REFERRED TO THE IBM PURCHASING DEPARTMENT.					IBM CONFIDENTIAL

A B C D E F G H J K L M N P Q

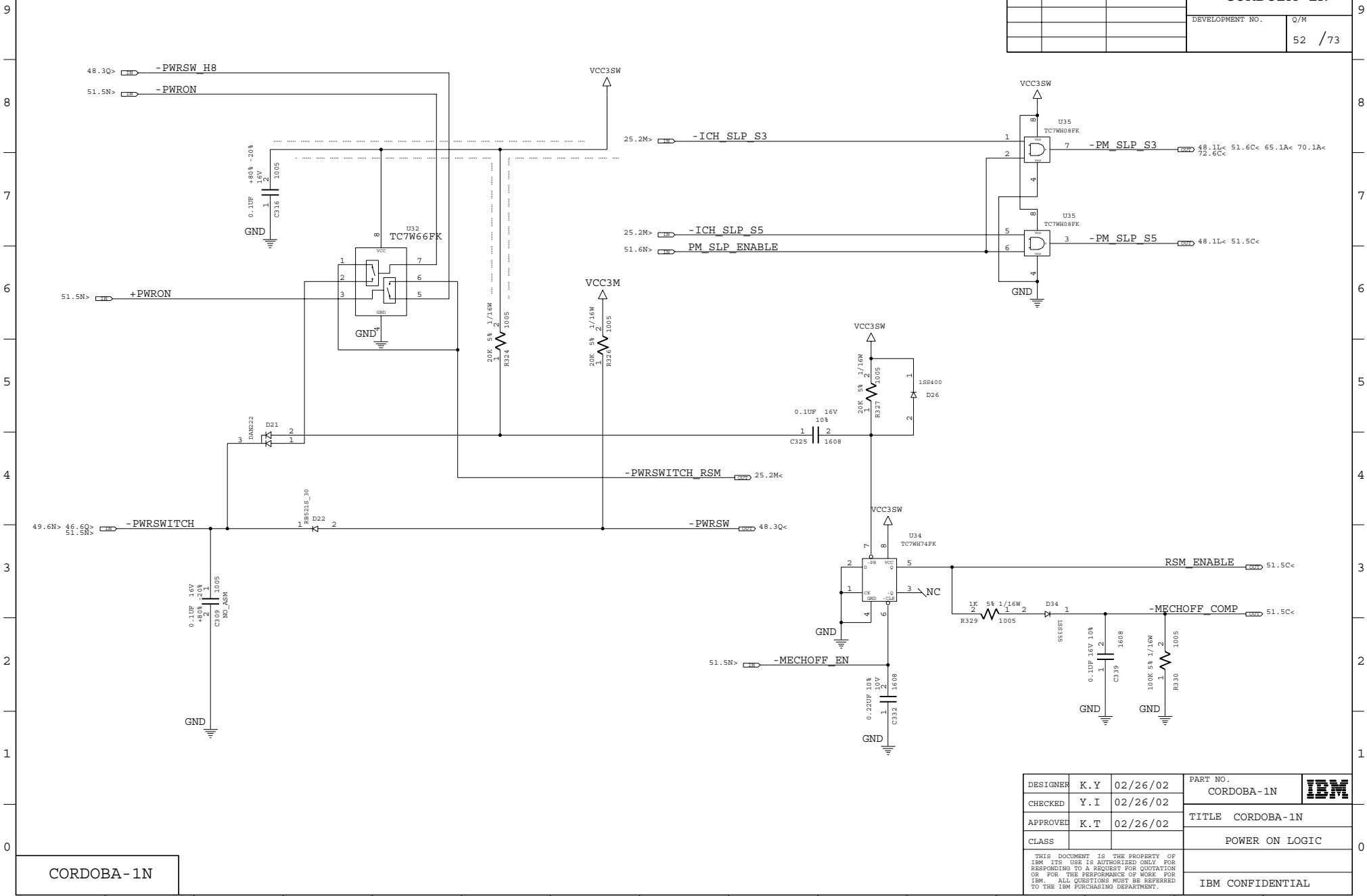


DATE	EC NO.	PART NO.
		CORDOBA-1N
DEVELOPMENT NO.		Q/M
		51 /73

DESIGNER	K.Y	02/26/02	PART NO.	CORDOBA-1N	
CHECKED	Y.I	02/26/02	TITLE	CORDOBA-1N	
APPROVED	K.T	02/26/02		MISC G/A (PMH-2)	
CLASS					
THIS DOCUMENT IS THE PROPERTY OF IBM. ITS USE IS AUTHORIZED ONLY FOR RESPONDING TO A REQUEST FOR QUOTATION OR FOR THE PERFORMANCE OF WORK FOR IBM. ALL QUESTIONS MUST BE REFERRED TO THE IBM PURCHASING DEPARTMENT.					
					IBM CONFIDENTIAL

A B C D E F G H J K L M N P Q

DATE	BC NO.	PART NO.	
		CORDOBA-1N	
		DEVELOPMENT NO.	Q/M
			52 / 73

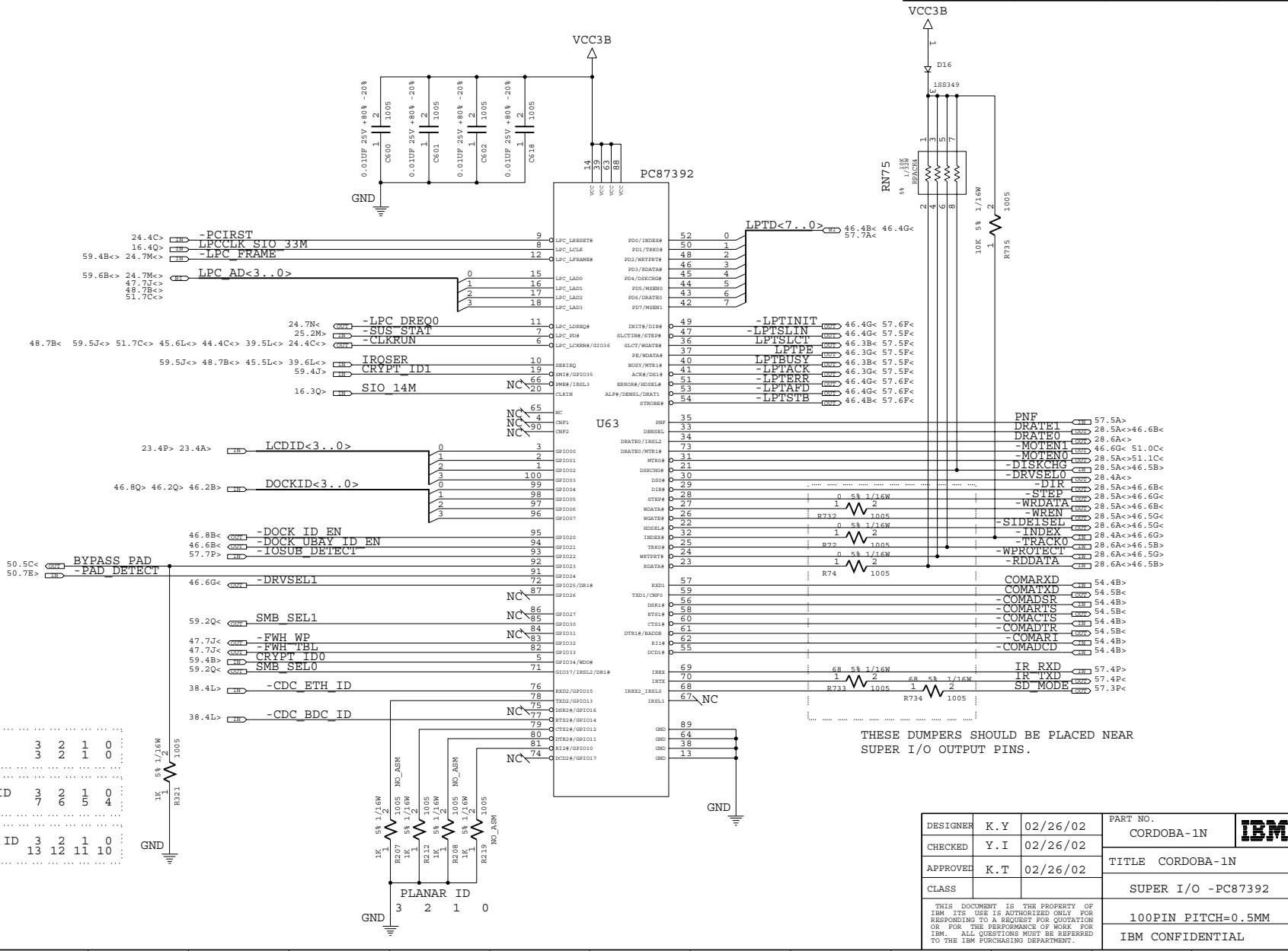


CORDOBA-1N

DESIGNER	K.Y	02/26/02	PART NO.	CORDOBA-1N	
CHECKED	Y.I	02/26/02	TITLE		
APPROVED	K.T	02/26/02	POWER ON LOGIC		
<small>THIS DOCUMENT IS THE PROPERTY OF IBM. ITS USE IS AUTHORIZED ONLY FOR RESPONDING TO A REQUEST FOR QUOTATION OR FOR THE PERFORMANCE OF WORK FOR IBM. ALL QUESTIONS MUST BE REFERRED TO THE IBM PURCHASING DEPARTMENT.</small>					IBM CONFIDENTIAL

A B C D E F G H J K L M N P Q

DATE	EC NO.	PART NO.
		CORDOBA-1N
DEVELOPMENT NO.		Q/M
		53 / 73



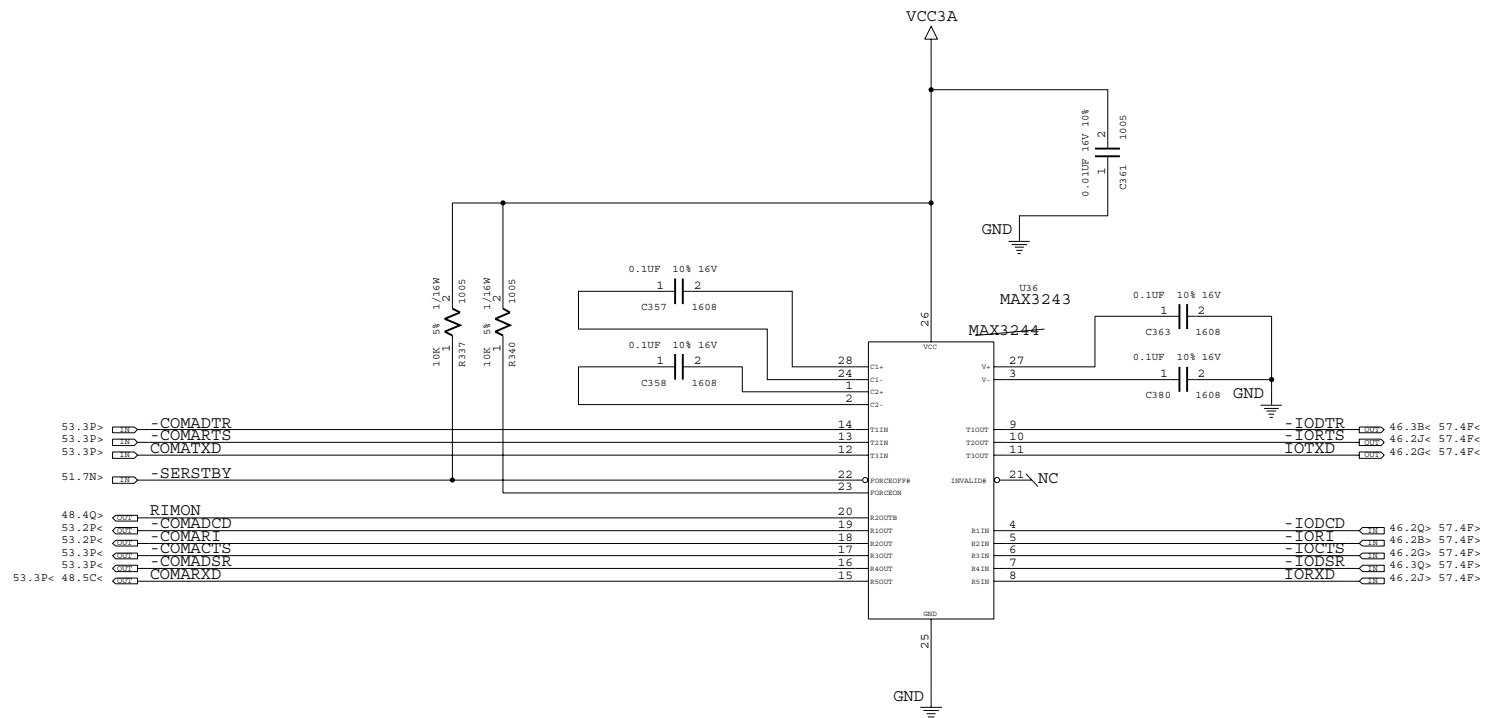
LCD ID	3	2	1	0
GPIO	3	2	1	0
-DOCK ID	3	2	1	0
GPIO	3	2	1	0
PLANAR ID	3	2	1	0
GPIO	13	12	11	10

CORDOBA-1N

DESIGNER	K.Y	02/26/02	PART NO.	CORDOBA-1N	
CHECKED	Y.I	02/26/02	TITLE	CORDOBA-1N	
APPROVED	K.T	02/26/02	SUPER I/O -PC87392		
CLASS	100PIN PITCH=0.5MM				
THIS DOCUMENT IS THE PROPERTY OF IBM. ITS USE IS AUTHORIZED ONLY FOR RESPONDING TO A REQUEST FOR QUOTATION OR FOR THE PERFORMANCE OF WORK FOR IBM. ALL QUESTIONS MUST BE REFERRED TO THE IBM PURCHASING DEPARTMENT.					IBM CONFIDENTIAL

A B C D E F G H J K L M N P Q

DATE	EC NO.	PART NO.	
		CORDOBA-1N	
		DEVELOPMENT NO.	Q/M
		54	/73



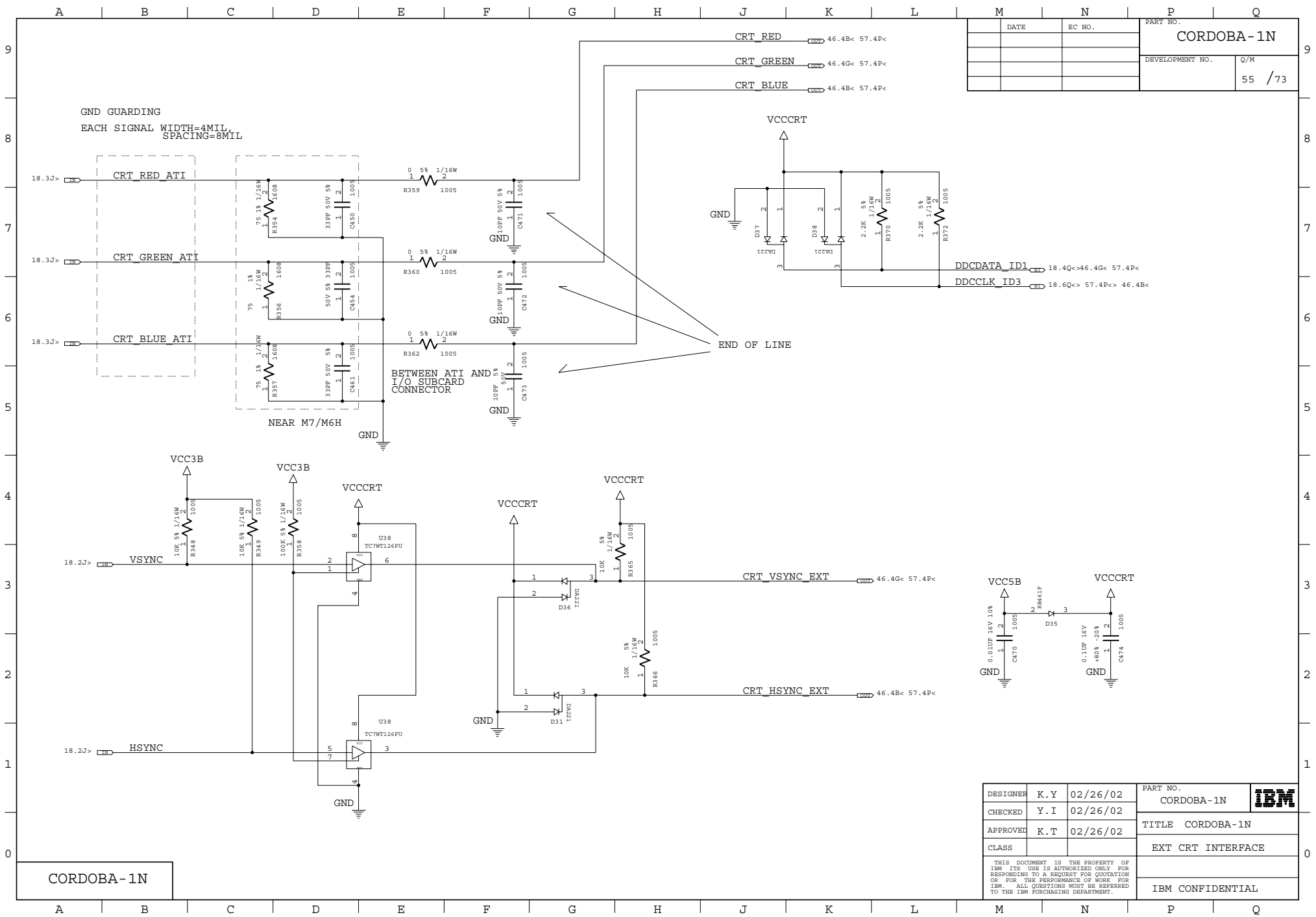
R1IN/R2IN/R3IN/R5IN HAVE INTERNAL PULLDOWN(5K OHM).
 DO NOT WIRE SIGNALS UNDER PINS (1/2/3/24/25/26/27/28)
 CHARGE PUMP CAPACITOR SHOULD BE PLACED NEAR PINS(1/2/3/24/27/28)
 ADD GND SHILED UNDER CHARGE PUMP CIRCUIT TO
 PROTECT POWER LINE NOISE
 CAPACITORS FOR CHARGE PUMP SHOULD BE USED TYPE B AND LOW ESR TYPE.

	NORMAL MODE	POWER DOWN MODE	AUTO POWER DOWN MODE
FORCEON	HIGH	DO NOT CARE	LOW
FOCEOFF	HIGH	LOW	HIGH

DESIGNER	K.Y	02/26/02	PART NO.	CORDOBA-1N	
CHECKED	Y.I	02/26/02	TITLE	CORDOBA-1N	
APPROVED	K.T	02/26/02	SERIAL INTERFACE		
CLASS			THIS DOCUMENT IS THE PROPERTY OF IBM. ITS USE IS AUTHORIZED ONLY FOR RESPONDING TO A REQUEST FOR QUOTATION OR FOR THE PERFORMANCE OF WORK FOR IBM. ALL QUESTIONS MUST BE REFERRED TO THE IBM PURCHASING DEPARTMENT.		
					IBM CONFIDENTIAL

CORDOBA-1N

A B C D E F G H J K L M N P Q



DATE	EC NO.	PART NO.	
		CORDOBA-1N	
		DEVELOPMENT NO.	Q/M
		55	/73

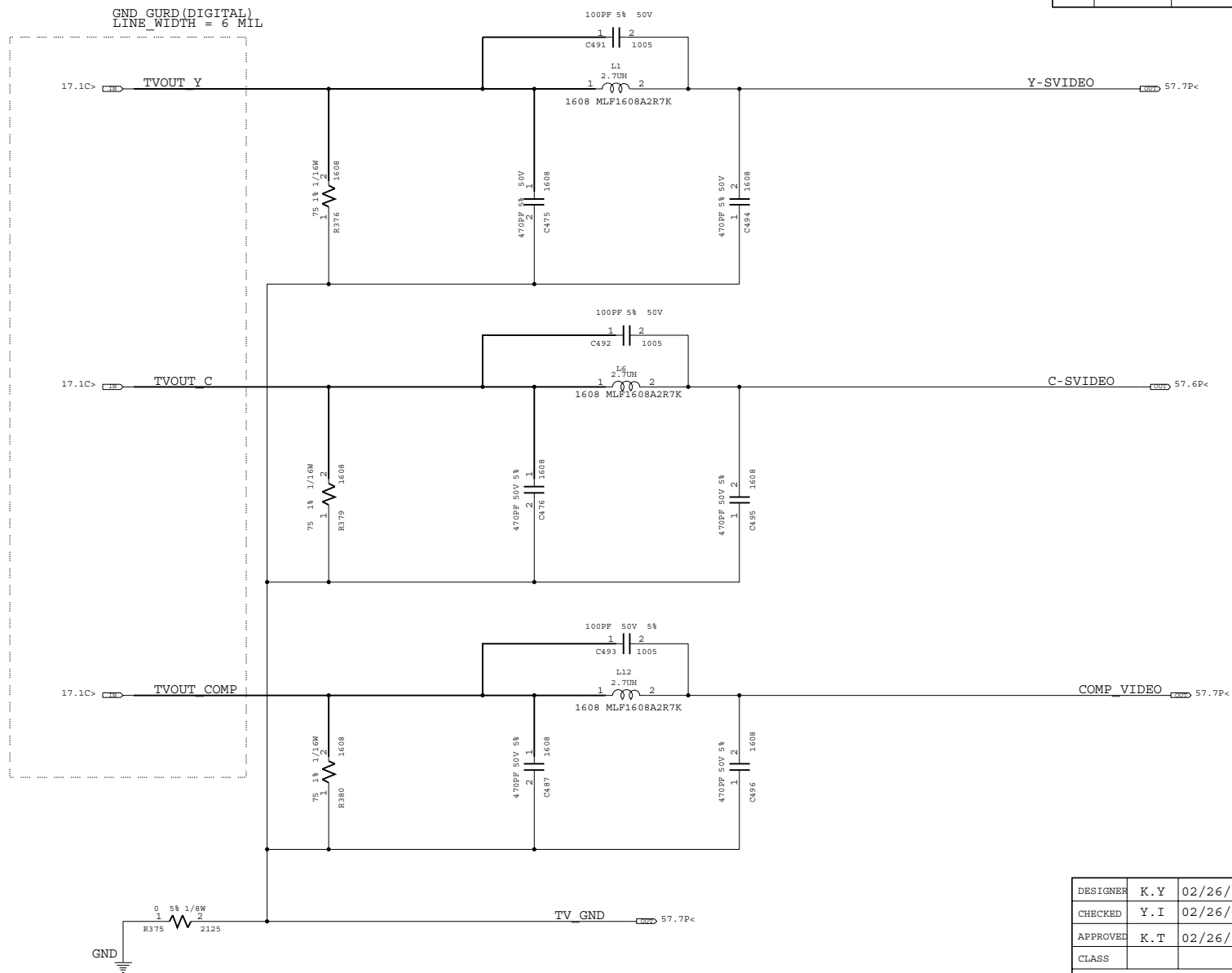
DESIGNER	K.Y	02/26/02	PART NO.	CORDOBA-1N	IBM
CHECKED	Y.I	02/26/02	TITLE		
APPROVED	K.T	02/26/02	EXT CRT INTERFACE		
CLASS					
THIS DOCUMENT IS THE PROPERTY OF IBM. ITS USE IS AUTHORIZED ONLY FOR RESPONDING TO A REQUEST FOR QUOTATION OR FOR THE PERFORMANCE OF WORK FOR IBM. ALL QUESTIONS MUST BE REFERRED TO THE IBM PURCHASING DEPARTMENT.					
				IBM CONFIDENTIAL	

CORDOBA-1N

A B C D E F G H J K L M N P Q

DATE	EC NO.	PART NO.	
		CORDOBA-1N	
		DEVELOPMENT NO.	Q/M
			56 /73

EACH SIGNAL
GND_GURD(DIGITAL)
LINE_WIDTH = 6 MIL



CORDOBA-1N

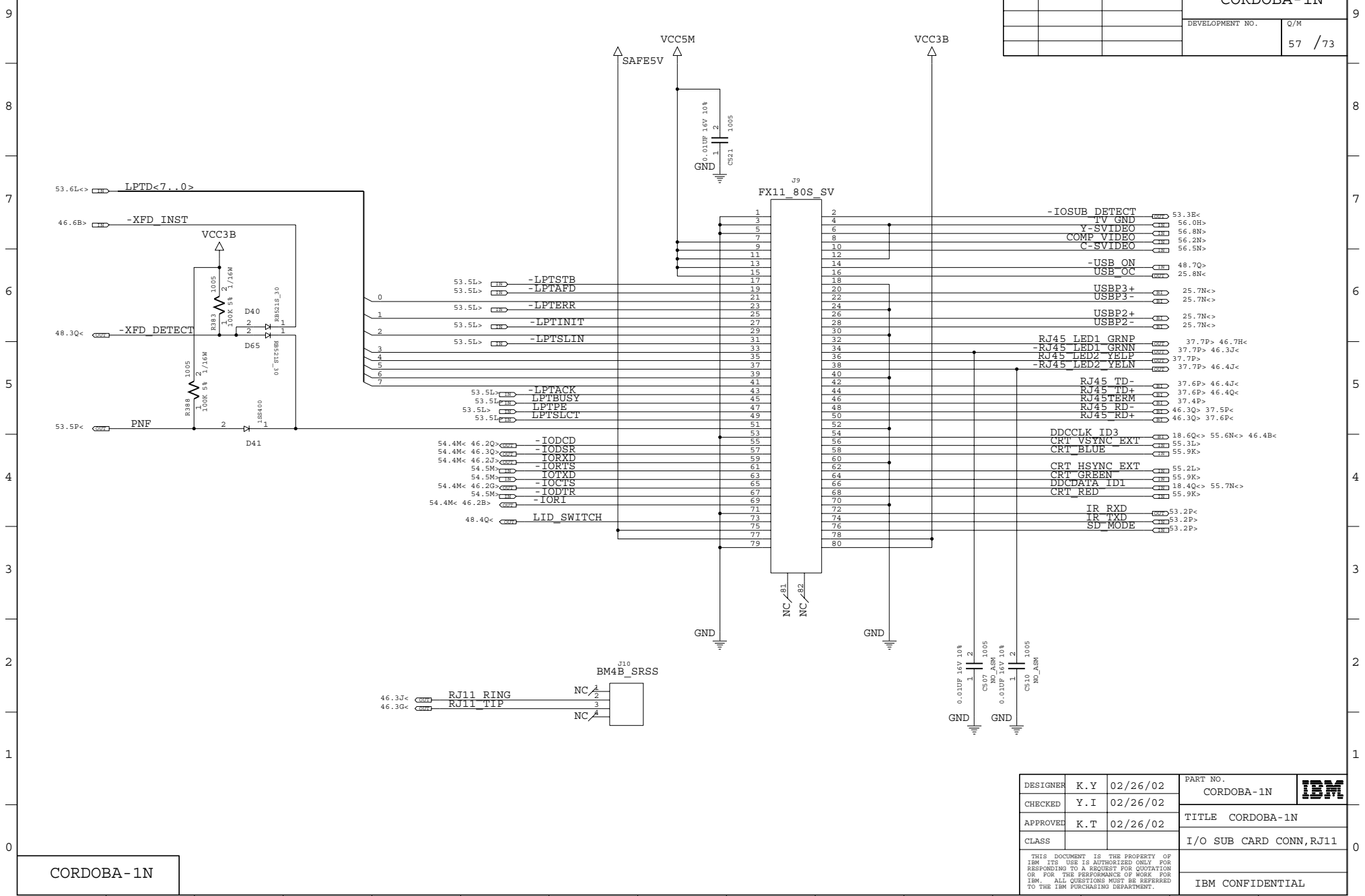
DESIGNER	K.Y	02/26/02	PART NO.	CORDOBA-1N	
CHECKED	Y.I	02/26/02	TITLE	CORDOBA-1N	
APPROVED	K.T	02/26/02	TV OUT		
CLASS			IBM CONFIDENTIAL		

THIS DOCUMENT IS THE PROPERTY OF IBM. ITS USE IS AUTHORIZED ONLY FOR RESPONDING TO A REQUEST FOR QUOTATION OR FOR THE PERFORMANCE OF WORK FOR IBM. ALL QUESTIONS MUST BE REFERRED TO THE IBM PURCHASING DEPARTMENT.

A B C D E F G H J K L M N P Q

A B C D E F G H J K L M N P Q

DATE	EC NO.	PART NO.	
		CORDOBA-1N	
		DEVELOPMENT NO.	Q/M
			57 /73



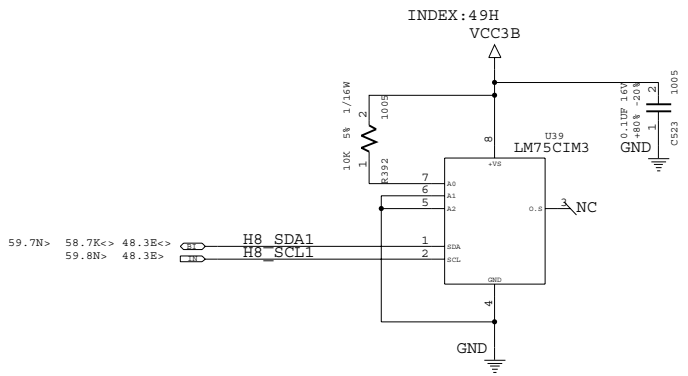
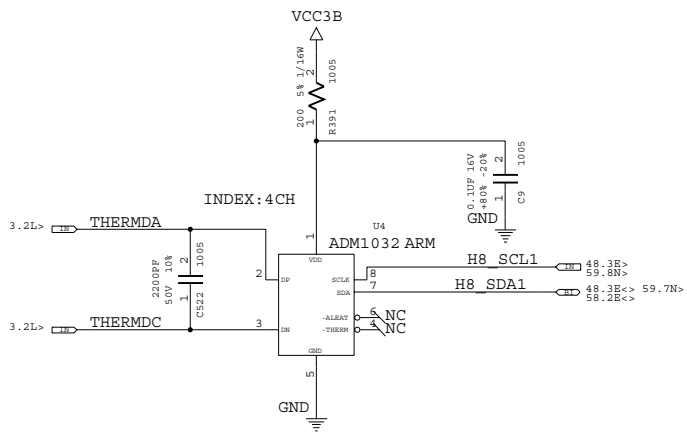
CORDOBA-1N

DESIGNER	K.Y	02/26/02	PART NO.	CORDOBA-1N	
CHECKED	Y.I	02/26/02	TITLE	CORDOBA-1N	
APPROVED	K.T	02/26/02	I/O SUB CARD CONN,RJ11		
CLASS	THIS DOCUMENT IS THE PROPERTY OF IBM. ITS USE IS AUTHORIZED ONLY FOR RESPONDING TO A REQUEST FOR QUOTATION OR FOR THE PERFORMANCE OF WORK FOR IBM. ALL QUESTIONS MUST BE REFERRED TO THE IBM PURCHASING DEPARTMENT.				
					IBM CONFIDENTIAL

A B C D E F G H J K L M N P Q

A B C D E F G H J K L M N P Q

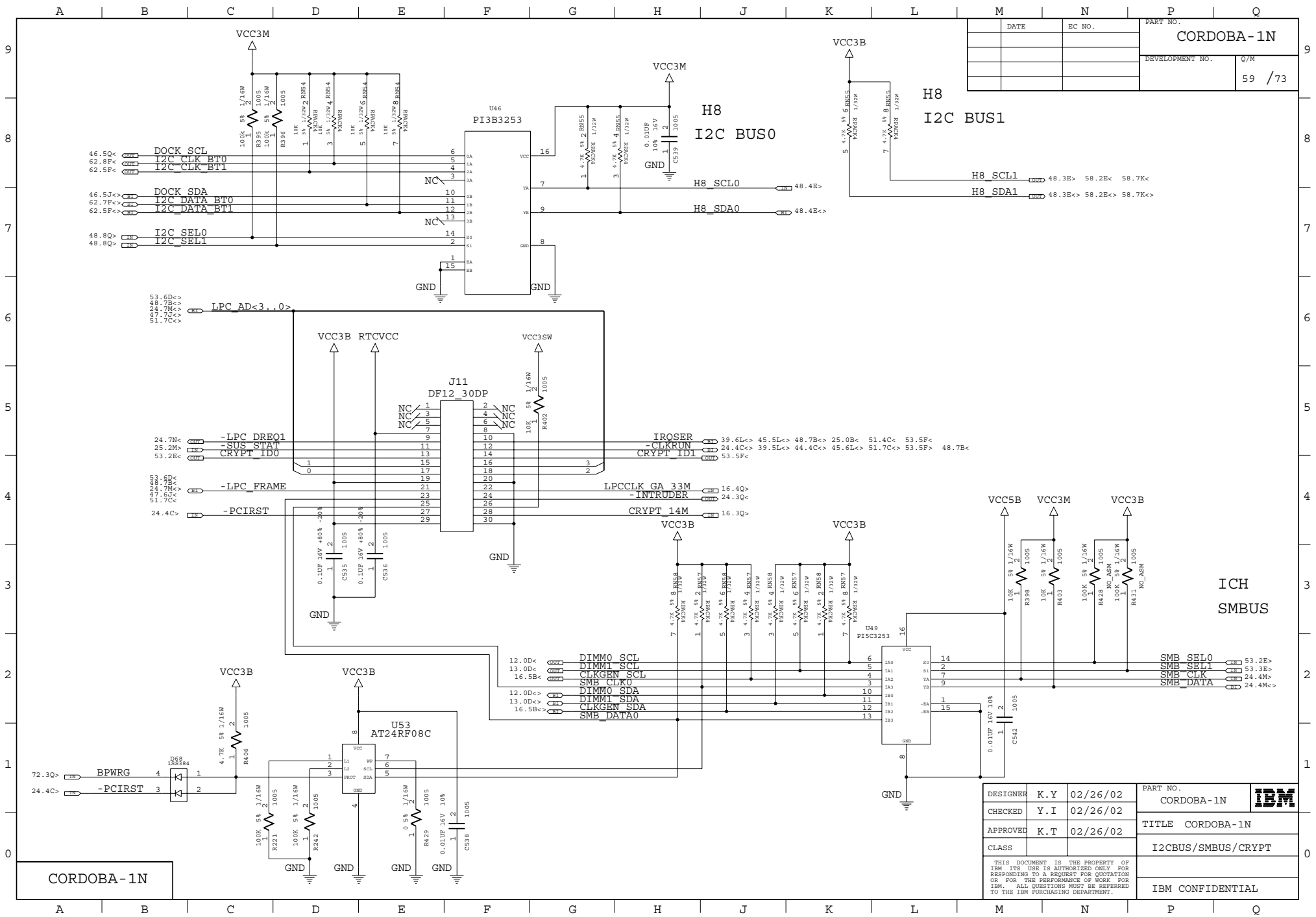
DATE	EC NO.	PART NO.	
		CORDOBA-1N	
		DEVELOPMENT NO.	Q/M
		58	/73



CORDOBA-1N

DESIGNER	K.Y	02/26/02	PART NO.	CORDOBA-1N	
CHECKED	Y.I	02/26/02	TITLE		
APPROVED	K.T	02/26/02	THERMAL SENSOR		
CLASS	THIS DOCUMENT IS THE PROPERTY OF IBM. ITS USE IS AUTHORIZED ONLY FOR RESPONDING TO A REQUEST FOR QUOTATION OR FOR THE PERFORMANCE OF WORK FOR IBM. ALL QUESTIONS MUST BE REFERRED TO THE IBM PURCHASING DEPARTMENT.				
				IBM CONFIDENTIAL	

A B C D E F G H J K L M N P Q



DATE	EC NO.	PART NO.	
		CORDOBA-1N	
DEVELOPMENT NO.		Q/M	
		59	/73

DESIGNER	K.Y	02/26/02	PART NO.	CORDOBA-1N	
CHECKED	Y.I	02/26/02	TITLE		
APPROVED	K.T	02/26/02	I2CBUS/SMBUS/CRYPT		
CLASS					

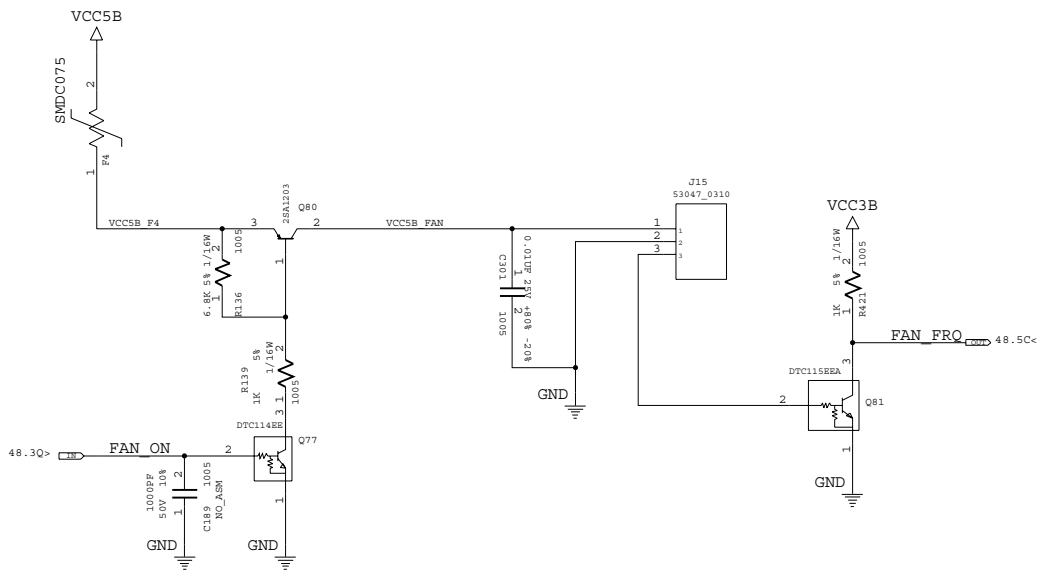
THIS DOCUMENT IS THE PROPERTY OF IBM. ITS USE IS AUTHORIZED ONLY FOR RESPONDING TO A REQUEST FOR QUOTATION OR FOR THE PERFORMANCE OF WORK FOR IBM. ALL QUESTIONS MUST BE REFERRED TO THE IBM PURCHASING DEPARTMENT.

IBM CONFIDENTIAL

CORDOBA-1N

A B C D E F G H J K L M N P Q

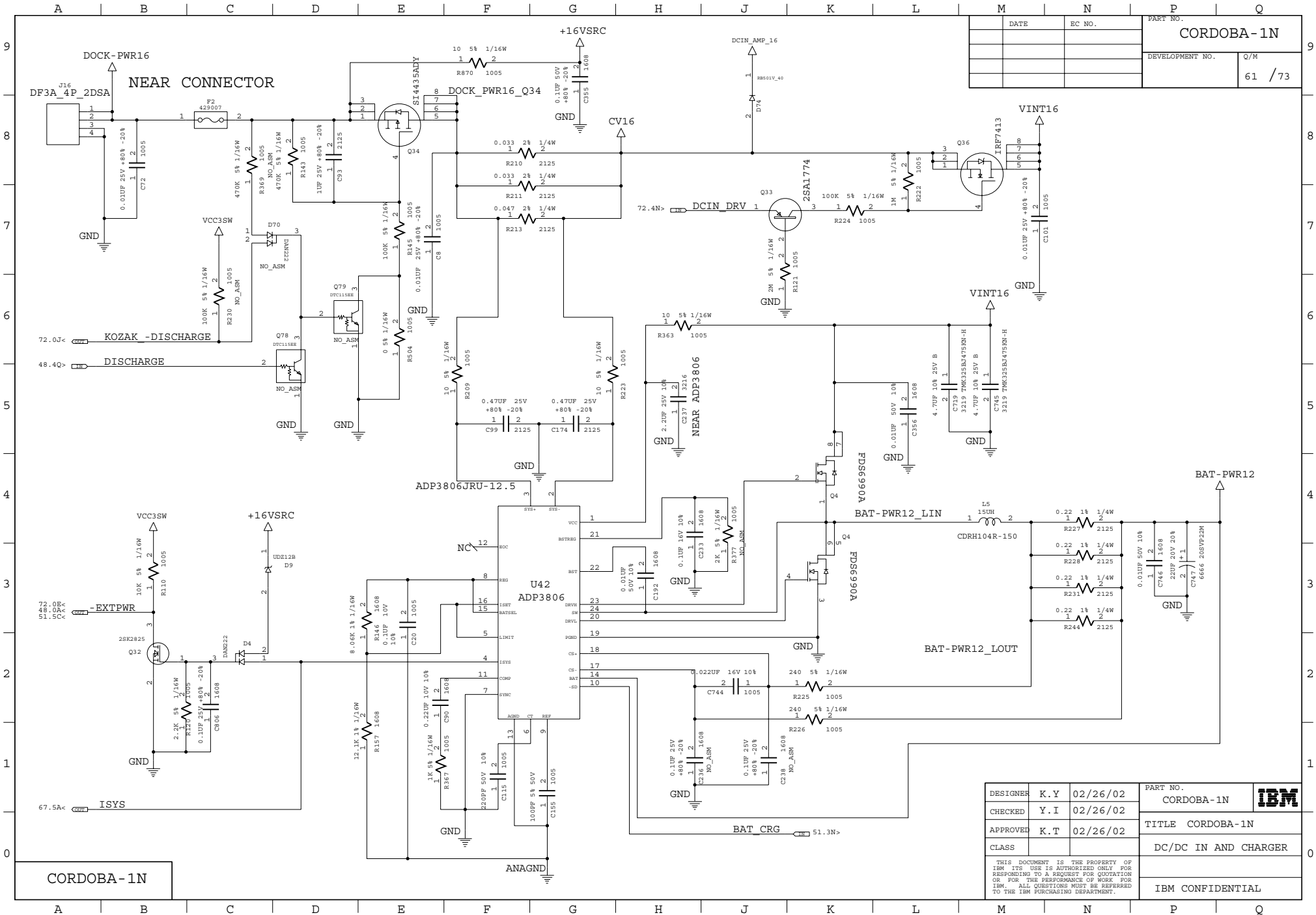
DATE	EC NO.	PART NO.	
		CORDOBA-1N	
		DEVELOPMENT NO.	Q/M
		60	/73



CORDOBA-1N

DESIGNER	K.Y	02/26/02	PART NO.	CORDOBA-1N	
CHECKED	Y.I	02/26/02	TITLE	CORDOBA-1N	
APPROVED	K.T	02/26/02		FAN CONNECTOR	
CLASS					
THIS DOCUMENT IS THE PROPERTY OF IBM. ITS USE IS AUTHORIZED ONLY FOR RESPONDING TO A REQUEST FOR QUOTATION OR FOR THE PERFORMANCE OF WORK FOR IBM. ALL QUESTIONS MUST BE REFERRED TO THE IBM PURCHASING DEPARTMENT.					IBM CONFIDENTIAL

A B C D E F G H J K L M N P Q



DATE	BC NO.	PART NO.
		CORDOBA-1N
DEVELOPMENT NO.		Q/M
		61 / 73

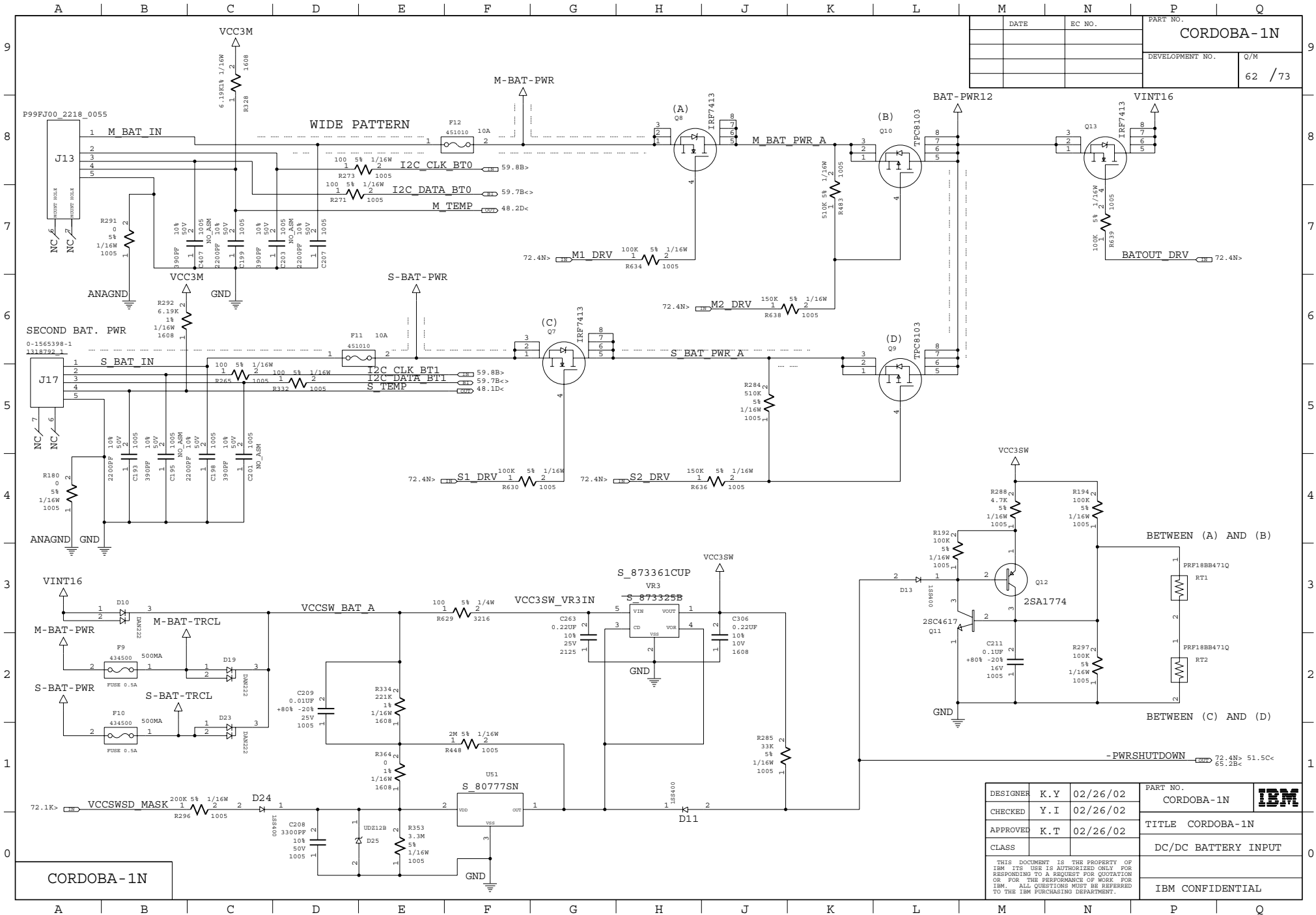
DESIGNER	K.Y	02/26/02	PART NO.	CORDOBA-1N	IBM
CHECKED	Y.I	02/26/02	TITLE	CORDOBA-1N	
APPROVED	K.T	02/26/02	CLASS	DC/DC IN AND CHARGER	
THIS DOCUMENT IS THE PROPERTY OF IBM. ITS USE IS AUTHORIZED ONLY FOR RESPONDING TO A REQUEST FOR QUOTATION OR FOR THE PERFORMANCE OF WORK FOR IBM. ALL QUESTIONS MUST BE REFERRED TO THE IBM PURCHASING DEPARTMENT.					
IBM CONFIDENTIAL					

CORDOBA-1N

A B C D E F G H J K L M N P Q

9
8
7
6
5
4
3
2
1
0

9
8
7
6
5
4
3
2
1
0



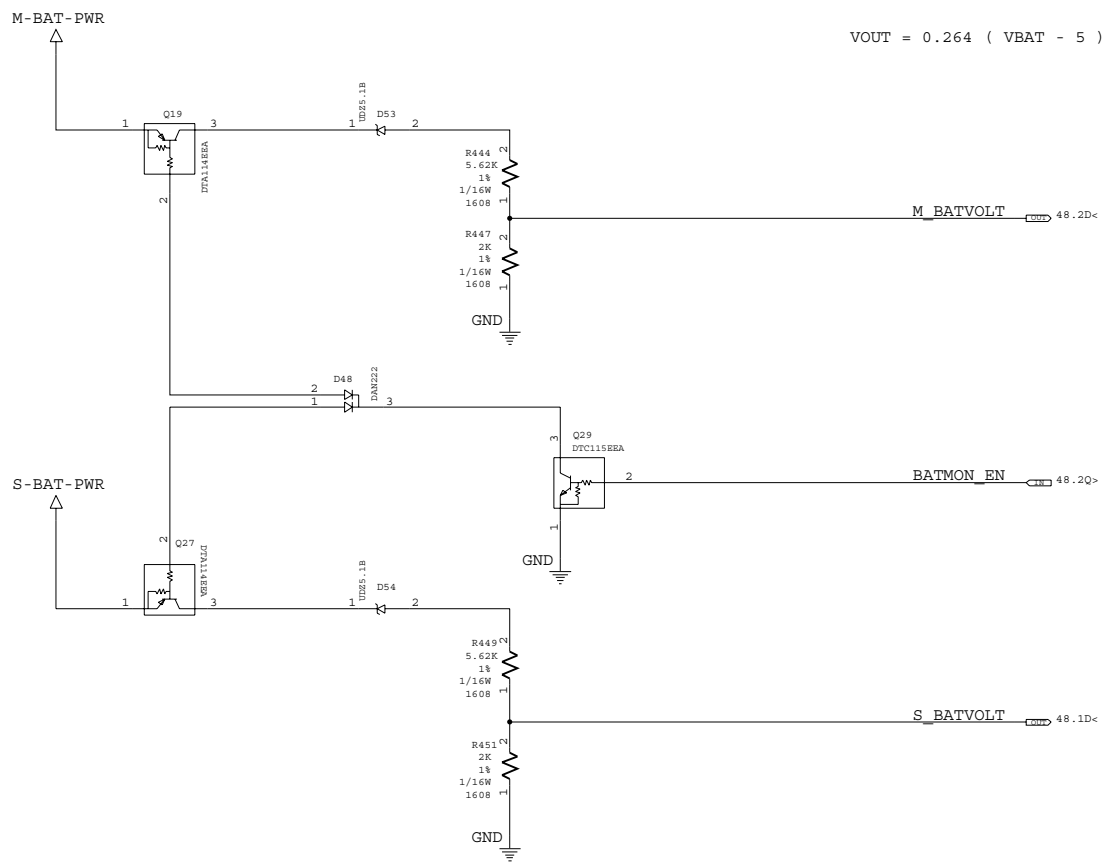
DATE	EC NO.	PART NO.
		CORDOBA-1N
DEVELOPMENT NO.		Q/M
		62 / 73

DESIGNER	K.Y	02/26/02	PART NO.	CORDOBA-1N	
CHECKED	Y.I	02/26/02	TITLE	CORDOBA-1N	
APPROVED	K.T	02/26/02	DC/DC BATTERY INPUT		
CLASS	THIS DOCUMENT IS THE PROPERTY OF IBM. ITS USE IS AUTHORIZED ONLY FOR RESPONDING TO A REQUEST FOR QUOTATION OR FOR THE PERFORMANCE OF WORK FOR IBM. ALL QUESTIONS MUST BE REFERRED TO THE IBM PURCHASING DEPARTMENT.				
					IBM CONFIDENTIAL

CORDOBA-1N

A B C D E F G H J K L M N P Q

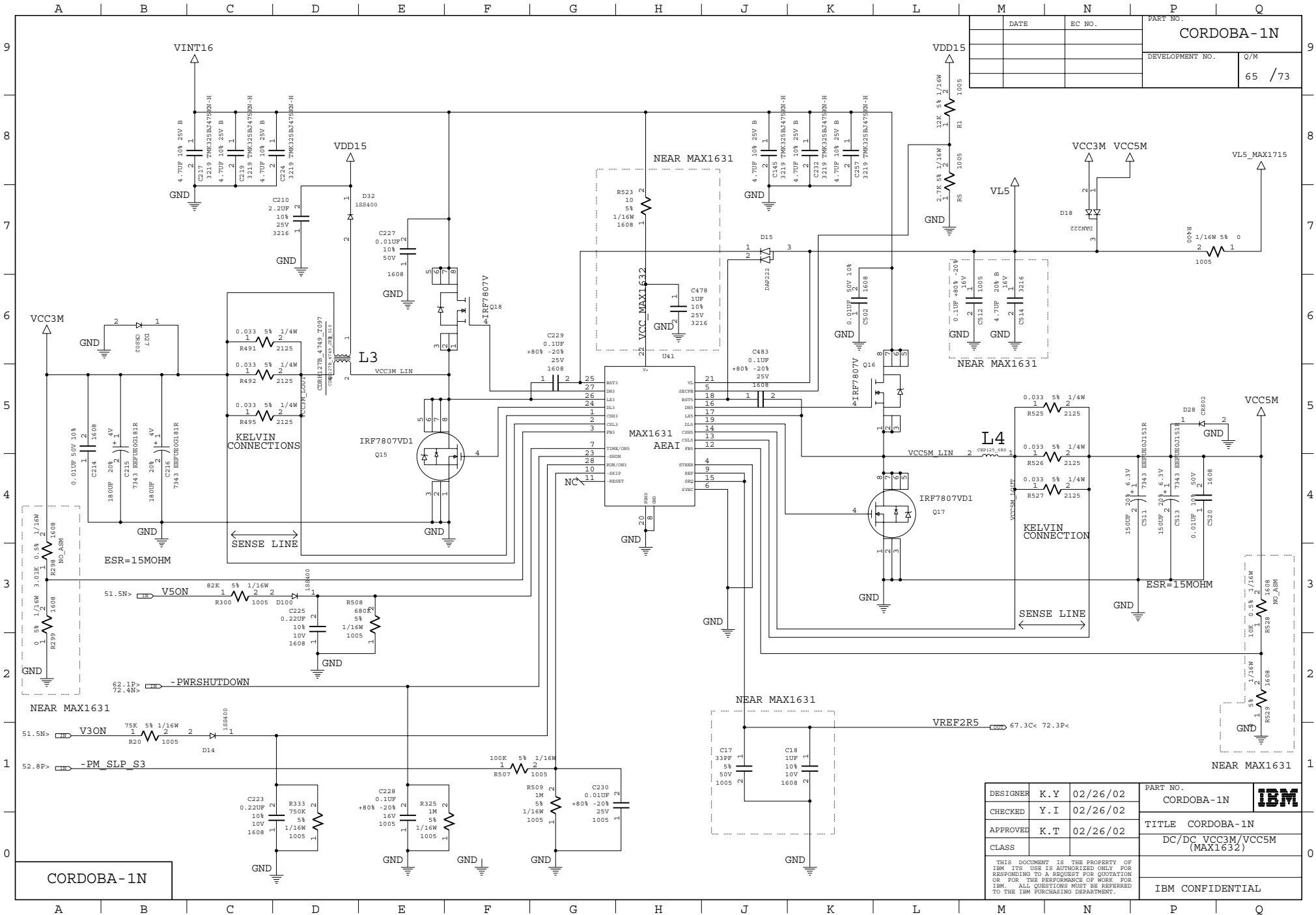
DATE	EC NO.	PART NO.	
		CORDOBA-1N	
		DEVELOPMENT NO.	Q/M
		64	/73



CORDOBA-1N

DESIGNER	K.Y	02/26/02	PART NO.	CORDOBA-1N	
CHECKED	Y.I	02/26/02	TITLE		
APPROVED	K.T	02/26/02	DCDC BATTERY MONITOR		
CLASS			IBM CONFIDENTIAL		
<small>THIS DOCUMENT IS THE PROPERTY OF IBM. ITS USE IS AUTHORIZED ONLY FOR RESPONDING TO A REQUEST FOR QUOTATION OR FOR THE PERFORMANCE OF WORK FOR IBM. ALL QUESTIONS MUST BE REFERRED TO THE IBM PURCHASING DEPARTMENT.</small>					

A B C D E F G H J K L M N P Q

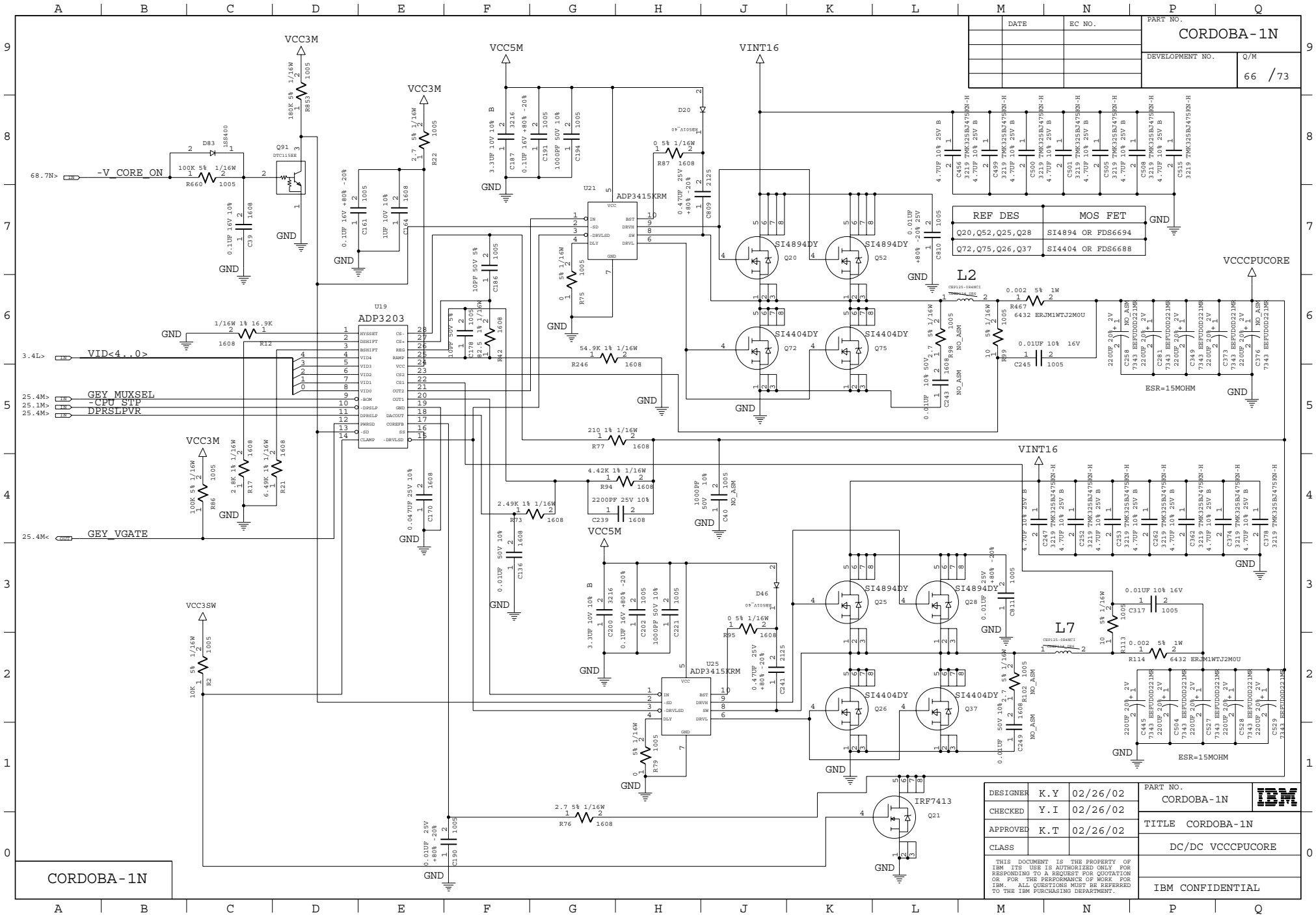


DATE	EC NO.	PART NO.	
		CORDOBA-1N	
DEVELOPMENT NO.		Q/M	
		65 / 73	

DESIGNER	K.Y	02/26/02	PART NO.	CORDOBA-1N	IBM
CHECKED	Y.I	02/26/02	TITLE	CORDOBA-1N	
APPROVED	K.T	02/26/02	DC/DC VCC3M/VCC5M	(MAX1632)	
CLASS					
THIS DOCUMENT IS THE PROPERTY OF IBM ITS USE IS AUTHORIZED ONLY FOR RESPONDING TO A REQUEST FOR QUOTATION OR FOR THE PERFORMANCE OF WORK FOR IBM. ALL QUESTIONS MUST BE REFERRED TO THE IBM PURCHASING DEPARTMENT.					IBM CONFIDENTIAL

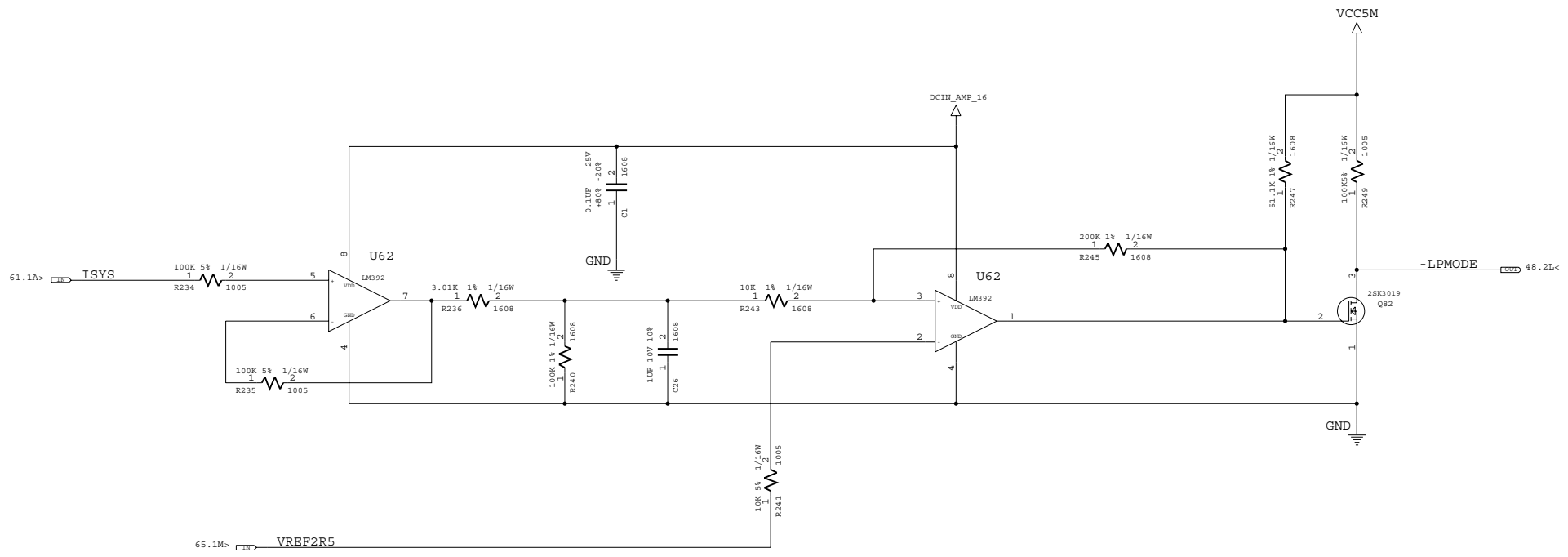
CORDOBA-1N

NEAR MAX1631



A B C D E F G H J K L M N P Q

DATE	EC NO.	PART NO.	
		CORDOBA-1N	
		DEVELOPMENT NO.	Q/M
			67 / 73



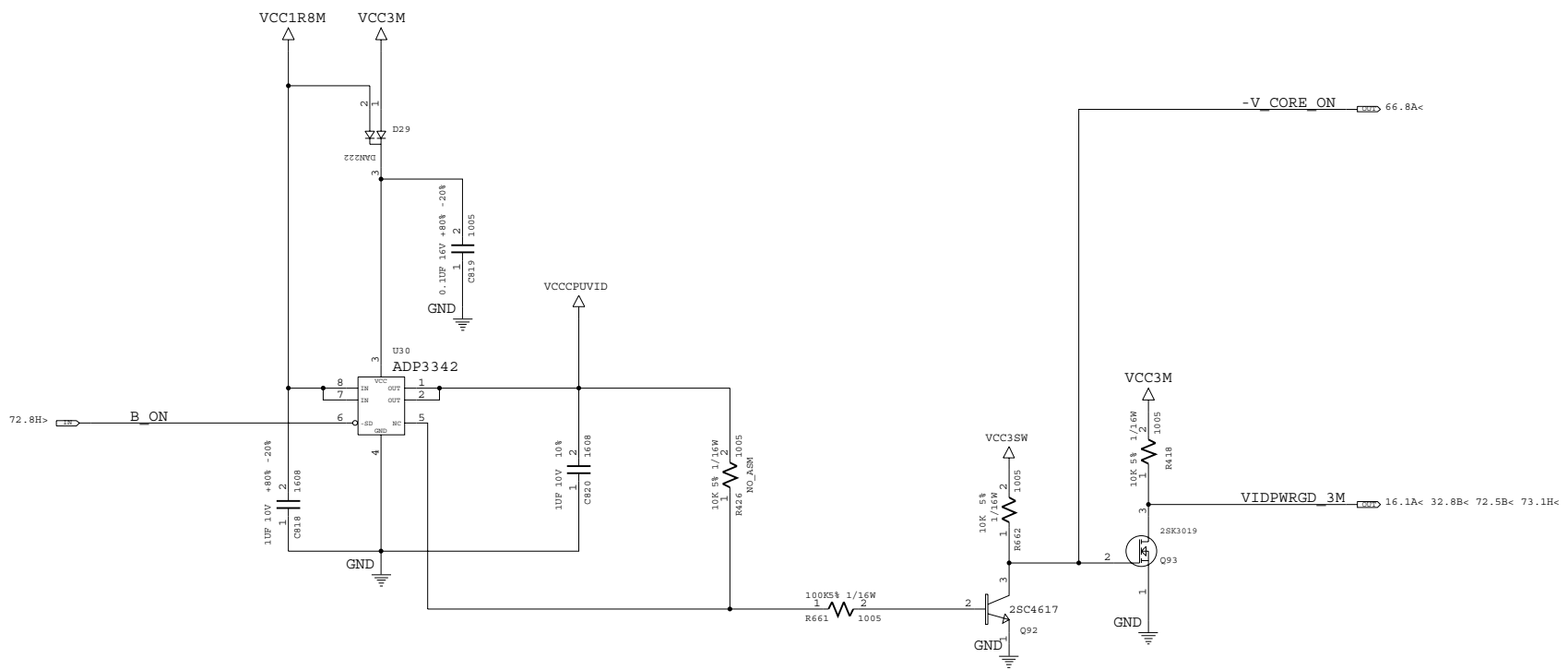
CORDOBA-1N

DESIGNER	K.Y	02/26/02	PART NO.	CORDOBA-1N	
CHECKED	Y.I	02/26/02	TITLE	CORDOBA-1N	
APPROVED	K.T	02/26/02		DC/DC MAX PWR CTRL	
CLASS			THIS DOCUMENT IS THE PROPERTY OF IBM. ITS USE IS AUTHORIZED ONLY FOR RESPONDING TO A REQUEST FOR QUOTATION OR FOR THE PERFORMANCE OF WORK FOR IBM. ALL QUESTIONS MUST BE REFERRED TO THE IBM PURCHASING DEPARTMENT.		
				IBM CONFIDENTIAL	

A B C D E F G H J K L M N P Q

A B C D E F G H J K L M N P Q

DATE	EC NO.	PART NO.	
		CORDOBA-1N	
		DEVELOPMENT NO.	Q/M
			68 / 73

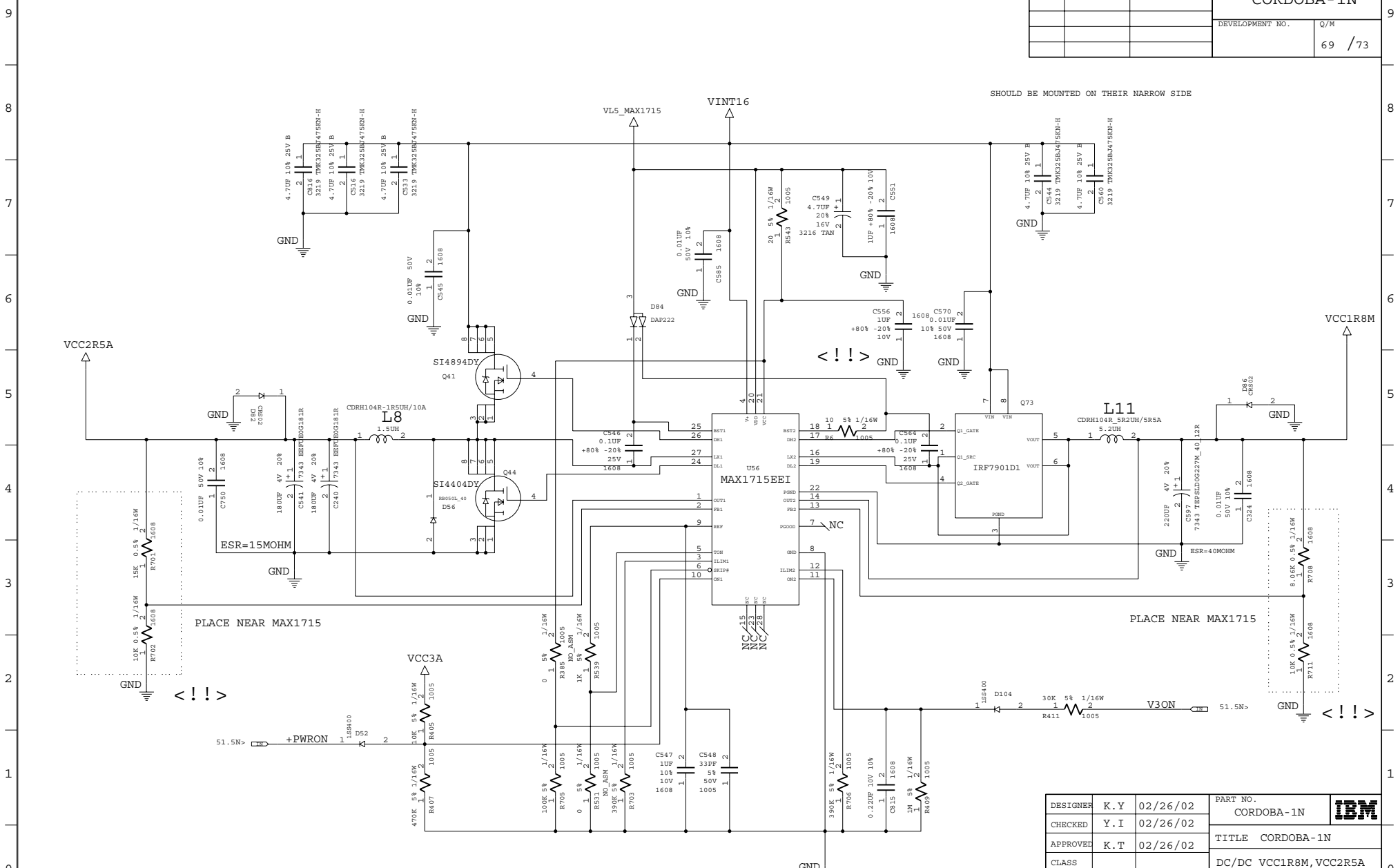


CORDOBA-1N

DESIGNER	K.Y	02/26/02	PART NO.	CORDOBA-1N	
CHECKED	Y.I	02/26/02	TITLE		
APPROVED	K.T	02/26/02	CLASS	DCDC VCCCPUVID	
THIS DOCUMENT IS THE PROPERTY OF IBM. ITS USE IS AUTHORIZED ONLY FOR REFERRING TO A REQUEST FOR QUOTATION OR FOR THE PERFORMANCE OF WORK FOR IBM. ALL QUESTIONS MUST BE REFERRED TO THE IBM PURCHASING DEPARTMENT.					IBM CONFIDENTIAL

A B C D E F G H J K L M N P Q

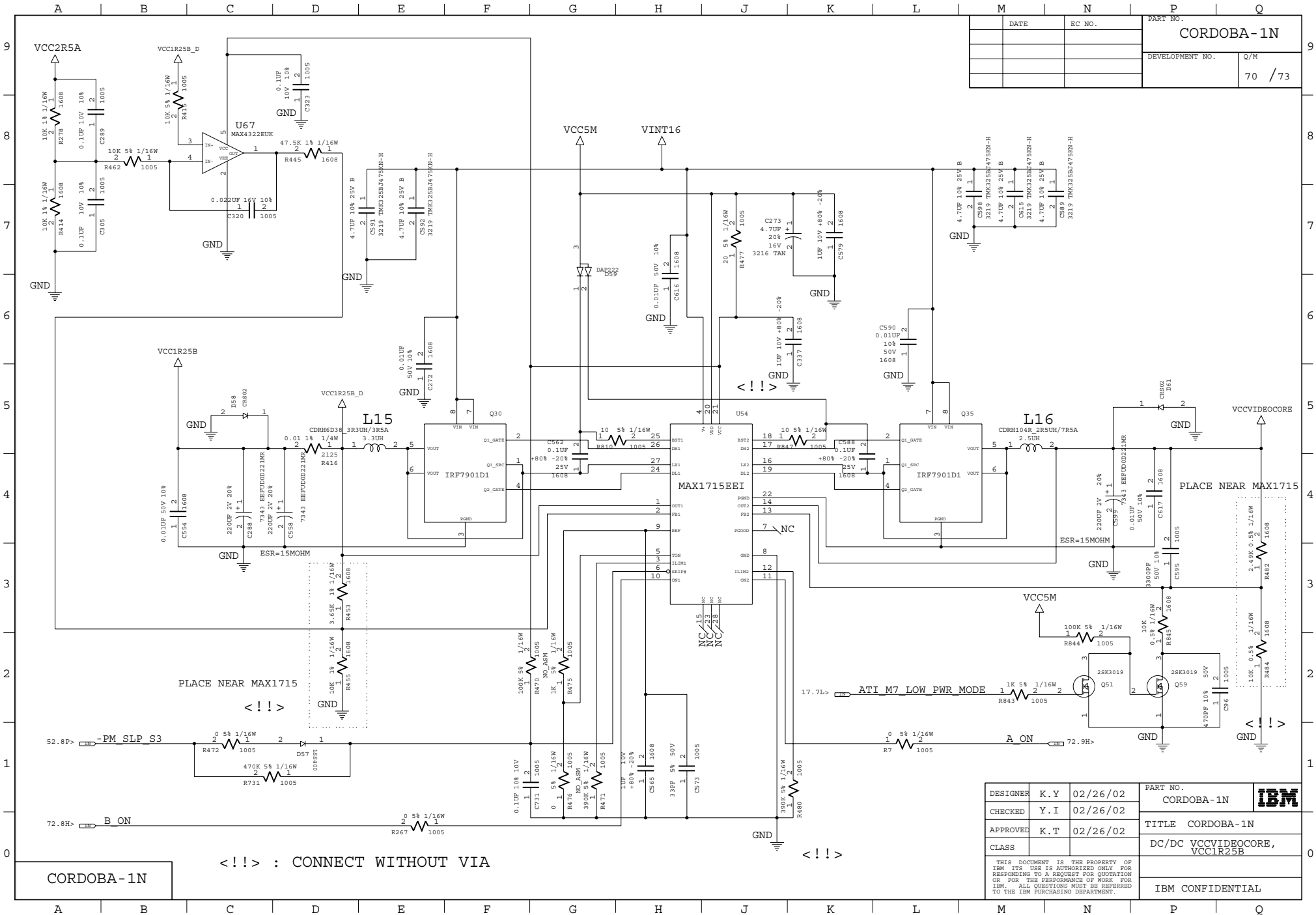
DATE	EC NO.	PART NO. CORDOBA-1N	
		DEVELOPMENT NO. Q/M	
		69 / 73	



<!!!> : CONNECT WITHOUT VIA

CORDOBA-1N

DESIGNER	K.Y	02/26/02	PART NO.	CORDOBA-1N	
CHECKED	Y.I	02/26/02	TITLE	CORDOBA-1N	
APPROVED	K.T	02/26/02	DC/DC VCC1R8M, VCC2R5A		
CLASS			THIS DOCUMENT IS THE PROPERTY OF IBM. ITS USE IS AUTHORIZED ONLY FOR RESPONDING TO A REQUEST FOR QUOTATION OR FOR THE PERFORMANCE OF WORK FOR IBM. ALL QUESTIONS MUST BE REFERRED TO THE IBM PURCHASING DEPARTMENT.		
					IBM CONFIDENTIAL



DATE		EC NO.		PART NO.	
				CORDOBA-1N	
DEVELOPMENT NO.				Q/M	
70				/73	

<!!> : CONNECT WITHOUT VIA

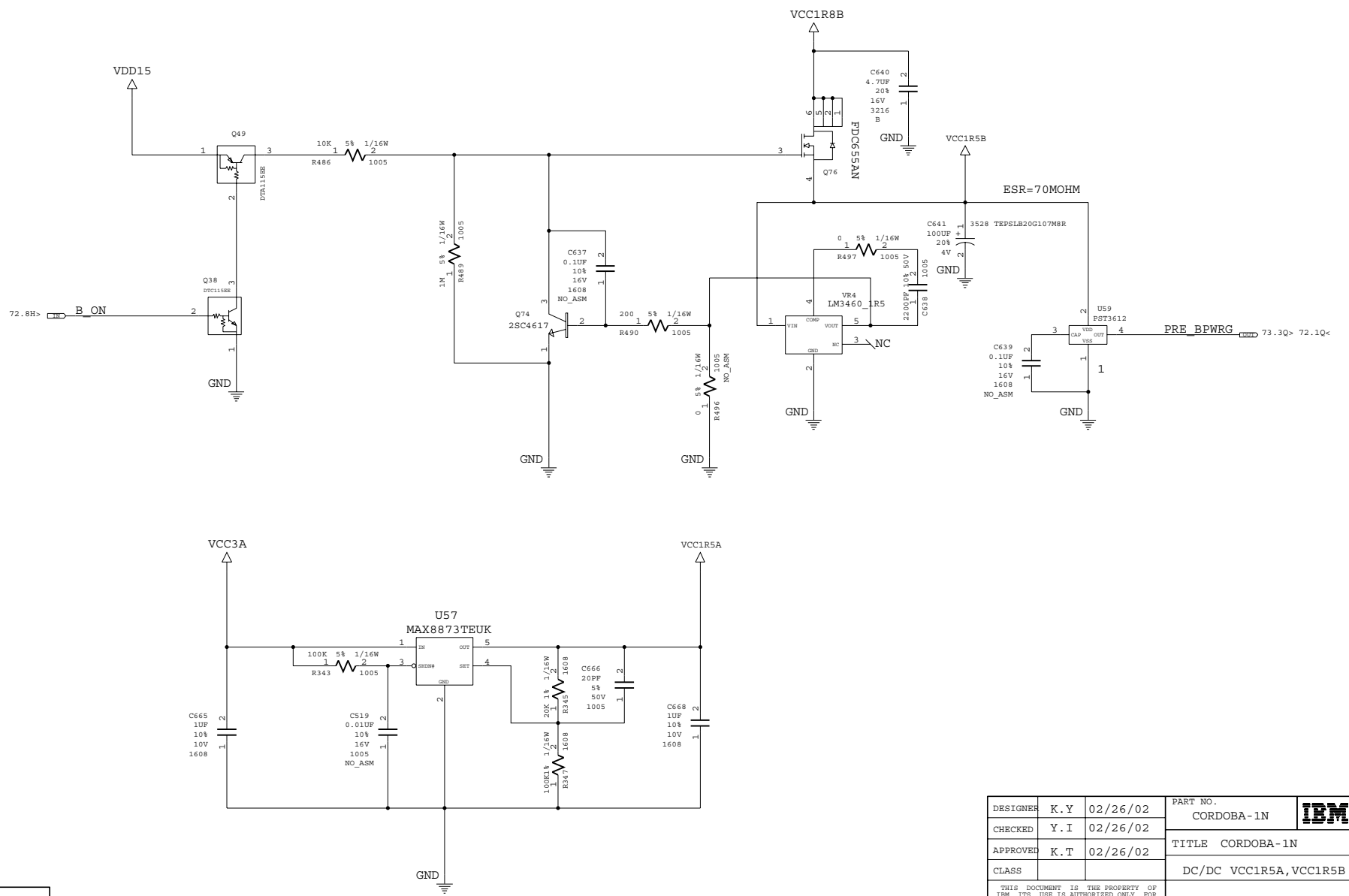
DESIGNER	K.Y	02/26/02	PART NO.	CORDOBA-1N	
CHECKED	Y.I	02/26/02	TITLE	CORDOBA-1N	
APPROVED	K.T	02/26/02	DC/DC	VCCVIDEOCORE, VCC1R25B	
CLASS					IBM CONFIDENTIAL

THIS DOCUMENT IS THE PROPERTY OF IBM. ITS USE IS AUTHORIZED ONLY FOR RESPONDING TO A REQUEST FOR QUOTATION OR FOR THE PERFORMANCE OF WORK FOR IBM. ALL QUESTIONS MUST BE REFERRED TO THE IBM PURCHASING DEPARTMENT.

CORDOBA-1N

A B C D E F G H J K L M N P Q

DATE	BC NO.	PART NO.	
		CORDOBA-1N	
		DEVELOPMENT NO.	Q/M
		71	/73

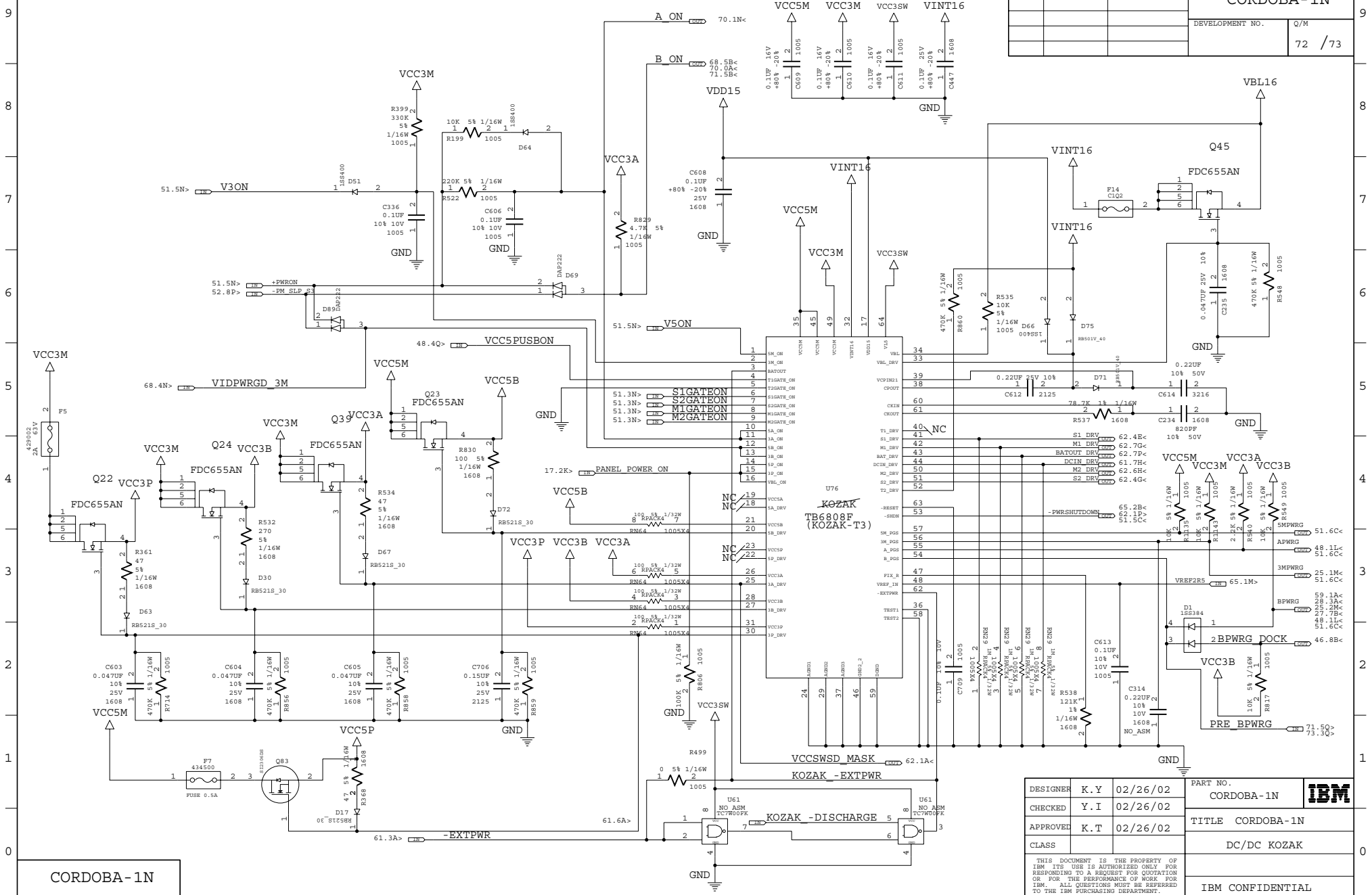


CORDOBA-1N

DESIGNER	K.Y	02/26/02	PART NO.	CORDOBA-1N	
CHECKED	Y.I	02/26/02	TITLE	CORDOBA-1N	
APPROVED	K.T	02/26/02	CLASS	DC/DC VCC1R5A, VCC1R5B	
THIS DOCUMENT IS THE PROPERTY OF IBM. ITS USE IS AUTHORIZED ONLY FOR RESPONDING TO A REQUEST FOR QUOTATION OR FOR THE PERFORMANCE OF WORK FOR IBM. ALL QUESTIONS MUST BE REFERRED TO THE IBM PURCHASING DEPARTMENT.					IBM CONFIDENTIAL

A B C D E F G H J K L M N P Q

DATE		EC NO.		PART NO.	
				CORDOBA-1N	
DEVELOPMENT NO.				Q/M	
				72 / 73	

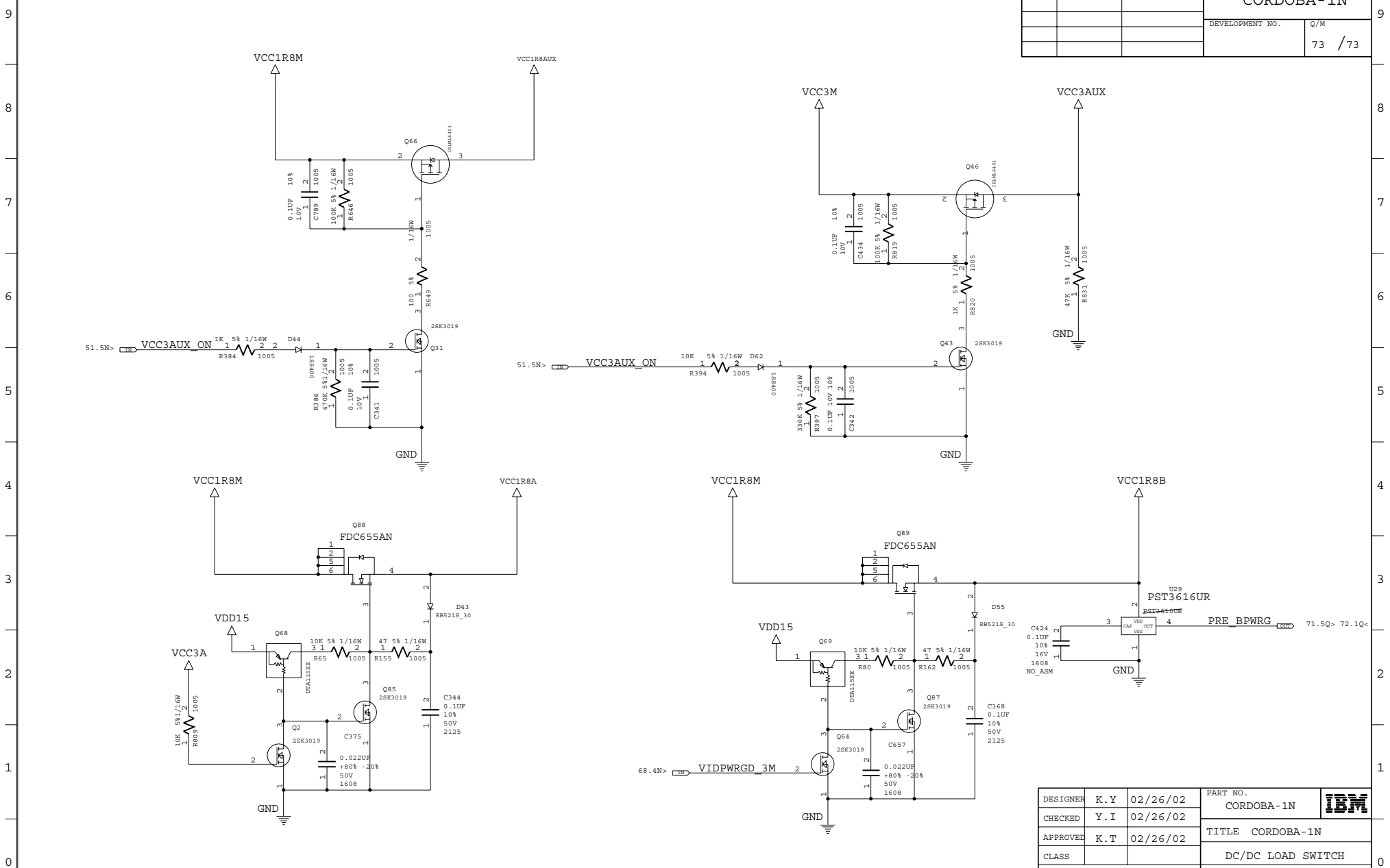


CORDOBA-1N

DESIGNER	K.Y	02/26/02	PART NO.	CORDOBA-1N	
CHECKED	Y.I	02/26/02	TITLE	CORDOBA-1N	
APPROVED	K.T	02/26/02	DC/DC KOZAK		
CLASS	THIS DOCUMENT IS THE PROPERTY OF IBM. ITS USE IS AUTHORIZED ONLY FOR RESPONDING TO A REQUEST FOR QUOTATION OR FOR THE PERFORMANCE OF WORK FOR IBM. ALL QUESTIONS MUST BE REFERRED TO THE IBM PURCHASING DEPARTMENT.				
				IBM CONFIDENTIAL	

A B C D E F G H J K L M N P Q

DATE	EC NO.	PART NO.	
		CORDOBA-1N	
		DEVELOPMENT NO.	Q/M
			73 / 73



CORDOBA-1N

DESIGNER	K.Y	02/26/02	PART NO.	CORDOBA-1N	
CHECKED	Y.I	02/26/02	TITLE		
APPROVED	K.T	02/26/02	CLASS	DC/DC LOAD SWITCH	
THIS DOCUMENT IS THE PROPERTY OF IBM. ITS USE IS AUTHORIZED ONLY FOR RESPONDING TO A REQUEST FOR QUOTATION OR FOR THE PERFORMANCE OF WORK FOR IBM. ALL QUESTIONS MUST BE REFERRED TO THE IBM PURCHASING DEPARTMENT.					IBM CONFIDENTIAL

A B C D E F G H J K L M N P Q