

	DATE	EC NO.	PART NO.	
REL	11/20/03	J18446A	93P4053	
			DEVELOPMENT NO.	Q/M
				1 /82

APOLLO PLANAR SVT (M9/KINNERETH-R BASE)

VER 0.49 NOV/20/2003

- | | |
|--|---|
| <ol style="list-style-type: none"> 1. TITLE PAGE 2. EC HISTORY 3. CPU(1/3) 4. CPU(2/3) 5. CPU(3/3) 6. ITP CONN 7. VCCCPUCORE DECOUPLING 8. MCH-M(1/4) 9. MCH-M(2/4) 10. MCH-M(3/4) 11. MCH-M(4/4) 12. DDR SO DIMM CONNECTOR 0 13. DDR SO DIMM CONNECTOR 1 14. SSTL-2 TERMINATION 15. SSTL-2 DECOUPLING 16. CLOCK GEN(CK-TITAN) 17. RADEON M9_CSP (1/7) 18. RADEON M9_CSP (2/7) 19. RADEON M9_CSP (3/7) 20. RADEON M9_CSP (4/7) 21. RADEON M9_CSP (5/7) 22. RADEON M9_CSP(6/7)(7/7) 23. DC/DC MAX_PWR_CTRL 24. LCD CONNECTOR 25. ICH4-M(1/3) 26. ICH4-M(2/3) 27. ICH4-M(3/3) 28. HDD I/F CONNECTOR 29. CLEAN SHEET BAY 30. USB POWER 31. AUDIO AD1981A 32. AUDIO MISC 33. AUDIO INT MIC 34. AUDIO HP & LINE IN CONN 35. AUDIO EXT MIC CONN 36. AUDIO SPEAKER 37. AUDIO HDP AMP AN12942A(1/2) 38. AUDIO HDP AMP AN12942A(2/2) 39. CDC CONNECTOR 40. CARD BUS PCI4520(1/2) 41. CARD BUS PCI4520(2/2) 42. CARD BUS POWER CTRL 43. CARD BUS SLOT | <ol style="list-style-type: none"> 44. EMC DECOUPLING 45. MINI PCI SLOT 46. PCI BUS SWITCH 47. DOCKING CONNECTOR 48. FWH,RTC BATTERY 49. H8S/2169A 50. KEYBOARD CONNECTOR 51. TOUCH PAD CONNECTOR 52. MISC G/A (PMH-4) 53. DC-DC VCCCPUCORE DECAP 54. SUPER I/O PC87392 55. SERIAL INTERFACE 56. EXT CRT INTERFACE 57. TV-OUT 58. PARALLELL INTERFACE 59. THERMAL SENSOR 60. I2CBUS/SMBUS/CRYPT 61. FAN CONTROL 62. DC-IN AND CHARGER 63. CHARGE SELECTOR 64. BATTERY INPUT 65. BATTERY MONITOR 66. POWER SEQUENCE 67. DC-DC VCC3M/VCC5M(MAX1631) 68. DC-DC VCCCPUCORE (ADP3205) 69. DC-DC VCC1R2M/VCCCPUIO(MAX1845) 70. DC-DC VCC2R5A/VCC1R25B(MAX1845) 71. DC-DC VCC1R8M/VCCVIDEOCORE(MAX1844) 72. VCC1R5M/A/B/AUX 73. TSURUMAI 74. GIGABIT ETHER LOAD SW 75. LOAD SW 76. GIGABIT ETHERNET (1/3) 77. GIGABIT ETHERNET (2/3) 78. GIGABIT ETHERNET (3/3) 79. IR MODULE / LARGE PTH HOLE 80. USB INTERFACE 81. RJ11/RJ45 CONNECTOR 82. G-SENSOR |
|--|---|

93P4053

DESIGNER	Y.I	11/20/03	PART NO.	IBM
CHECKED	Y.Y	11/20/03	93P4053	
APPROVED	K.T	11/20/03	TITLE ROME-2 RWK(V049)	
CLASS	K.T	11/20/03	TITLE PAGE	
<small>THIS DOCUMENT IS THE PROPERTY OF IBM. ITS USE IS AUTHORIZED ONLY FOR RESPONDING TO A REQUEST FOR QUOTATION OR FOR THE PERFORMANCE OF WORK FOR IBM. ALL QUESTIONS MUST BE REFERRED TO THE IBM PURCHASING DEPARTMENT.</small>				IBM CONFIDENTIAL

EC HISTORY

	DATE	EC NO.	PART NO.
REL	11/20/03	J18446A	93P4053
			DEVELOPMENT NO.
			Q/M
			2 /82

SDV

VER.0.01 12/19/2002 INITIAL. FROM ROME-1 VER.0.86
 VER.0.02 01/07/2003 APPLIED RM2_EC_SDV002/003/004
 VER.0.03 01/14/2003 APPLIED RM2_EC_SDV005
 VER.0.04 01/17/2003 APPLIED RM2_EC_SDV006
 VER.0.05 01/21/2003 APPLIED RM2_EC_SDV007
 VER.0.06 01/23/2003 APPLIED RM2_EC_SDV008
 VER.0.07 01/28/2003 APPLIED RM2_EC_SDV009/010
 VER.0.08 01/29/2003 APPLIED RM2_EC_SDV011
 VER.0.09 01/30/2003 APPLIED RM2_EC_SDV012
 VER.0.10 01/31/2003 APPLIED RM2_EC_SDV013
 VER.0.11 02/07/2003 APPLIED RM2_EC_SDV014
 VER.0.12 02/13/2003 APPLIED RM2_EC_SDV015

SVT

VER.0.44 06/03/2003 APPLIED AP5_EC_001
 VER.0.45 06/04/2003 APPLIED AP5_EC_002
 VER.0.46 06/05/2003 APPLIED AP5_EC_003
 VER.0.47 06/06/2003 APPLIED AP5_EC_004
 SVT GERBER RELEASE ON 06/11/2003
 VER.0.48 06/12/2003 APPLIED AP5_EC_005
 VER.0.49 11/20/2003 APPLIED APL-AEC-038 (CHANGE Q107 TO D2000)

FVT

VER.0.13 02/21/2003 APPLIED RM2_EC_FVT001
 VER.0.14 02/25/2003 APPLIED RM2_EC_FVT002
 VER.0.15 02/26/2003 APPLIED RM2_EC_FVT003
 VER.0.16 02/27/2003 APPLIED RM2_EC_FVT004
 VER.0.17 03/05/2003 APPLIED RM2_EC_FVT005(R20 VALUE CHANGE ONLY)

SIV

VER.0.18 03/10/2003 NOT APPLIED RM2_EC_SIV001
 VER.0.19 03/13/2003 APPLIED RM2_EC_SIV002
 VER.0.20 03/17/2003 APPLIED RM2_EC_SIV003
 VER.0.21 03/18/2003 APPLIED RM2_EC_SIV004
 VER.0.22 03/19/2003 APPLIED RM2_EC_SIV005
 VER.0.23 03/31/2003 APPLIED RM2_EC_SIV006
 VER.0.24 04/01/2003 APPLIED RM2_EC_SIV007
 VER.0.25 04/04/2003 APPLIED RM2_EC_SIV008
 VER.0.26 04/07/2003 APPLIED RM2_EC_SIV009
 VER.0.27 04/09/2003 APPLIED EC BY MEMO@APR/08


SIT

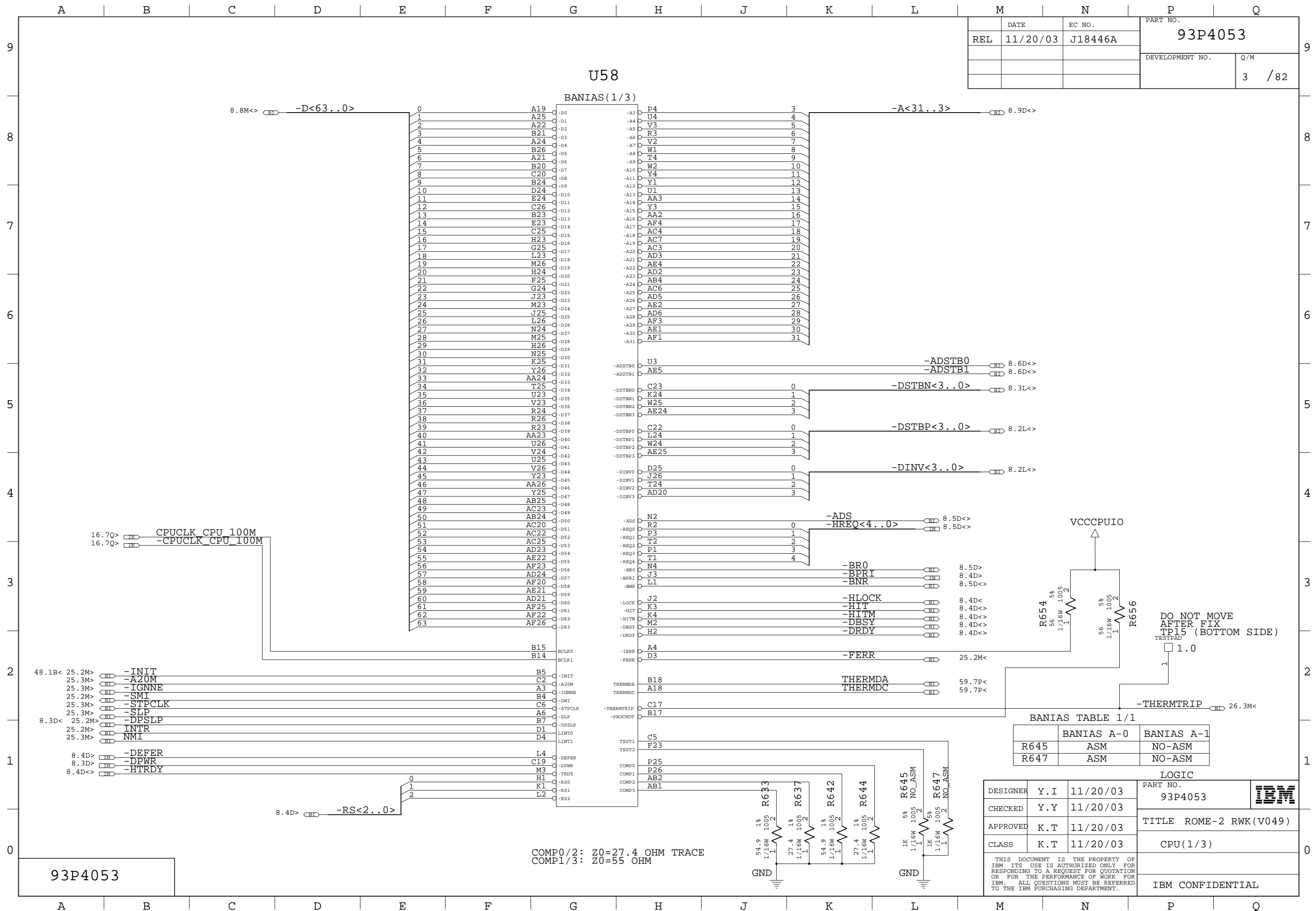
VER.0.28 04/09/2003 APPLIED AP_EC_SIT001
 VER.0.29 04/15/2003 APPLIED AP_EC_SIT002

SIT M10-7A

VER.0.30 04/16/2003 APPLIED AP_EC_M10_01
 VER.0.31 04/24/2003 NOT APPLIED
 VER.0.32 04/28/2003 NOT APPLIED
 VER.0.33 04/28/2003 APPLIED AP_EC_M10_02/03/04
 VER.0.34 04/30/2003 APPLIED AP_EC_M10_05
 VER.0.35 05/06/2003 NOT APPLIED
 VER.0.36 05/06/2003 APPLIED AP_EC_M10_06
 VER.0.37 05/08/2003 NOT APPLIED
 VER.0.38 05/08/2003 APPLIED AP_EC_M10_07
 VER.0.39 05/09/2003 NOT APPLIED
 VER.0.40 05/09/2003 APPLIED AP_EC_M10_08
 VER.0.41 05/21/2003 APPLIED AP_EC_M10_09/10
 VER.0.42 05/28/2003 APPLIED AP_EC_M10_11
 VER.0.43 06/03/2003 APPLIED AP_EC_M10_12

93P4053

DESIGNER	Y.I	11/20/03	PART NO.	93P4053	
CHECKED	Y.Y	11/20/03			
APPROVED	K.T	11/20/03	TITLE ROME-2 RWK(V049)		
CLASS	K.T	11/20/03	HISTORY		
THIS DOCUMENT IS THE PROPERTY OF IBM ITS USE IS AUTHORIZED ONLY FOR RESPONDING TO A REQUEST FOR QUOTATION OR FOR THE PERFORMANCE OF WORK FOR IBM. ALL QUESTIONS MUST BE REFERRED TO THE IBM PURCHASING DEPARTMENT.				IBM CONFIDENTIAL	

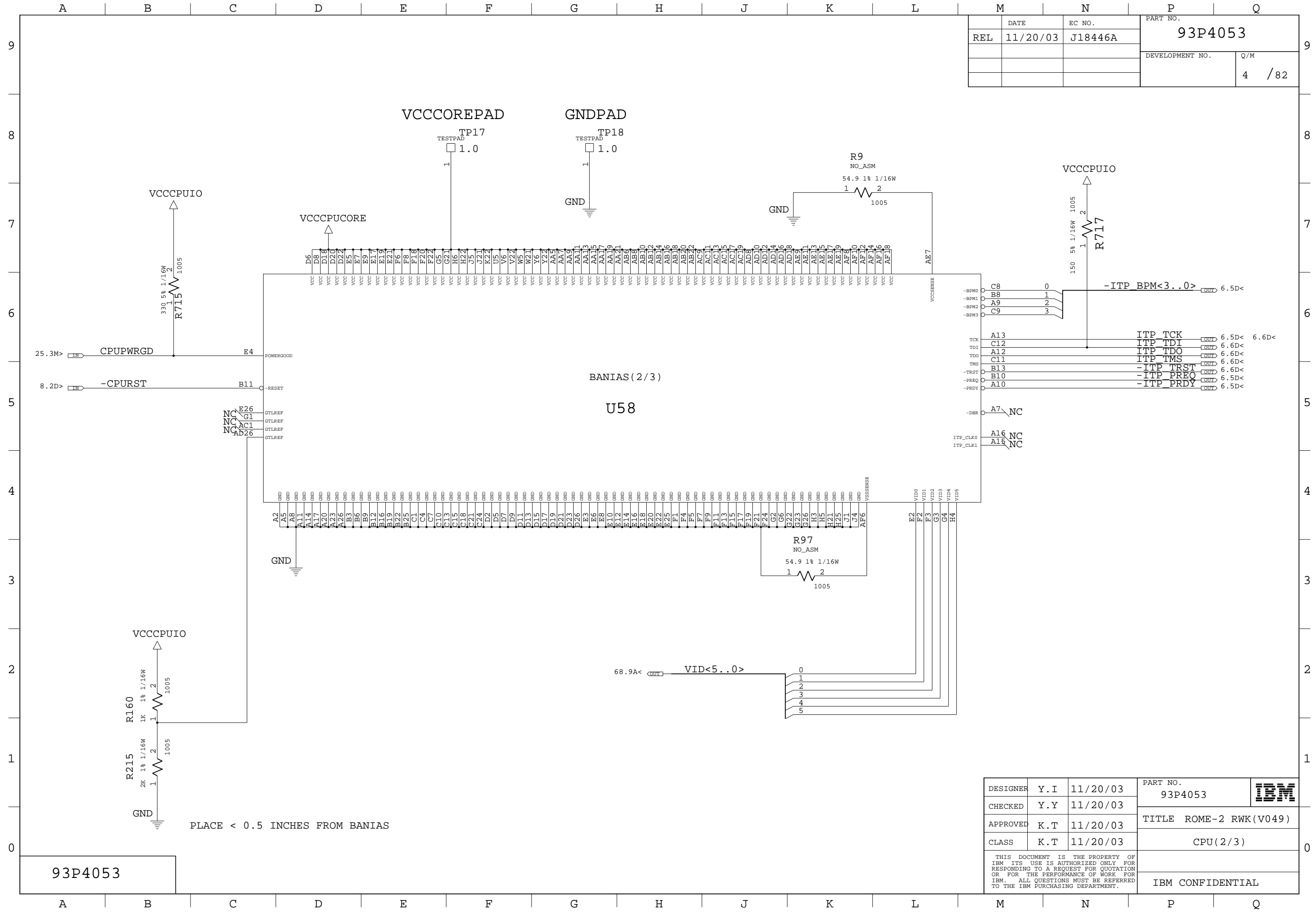


REL	DATE	EC NO.	PART NO.
	11/20/03	J18446A	93P4053
			DEVELOPMENT NO.
			Q/M
			3 /82

93P4053



	DATE	EC NO.	PART NO.	
REL	11/20/03	J18446A	93P4053	
			DEVELOPMENT NO.	Q/M
			4	/82

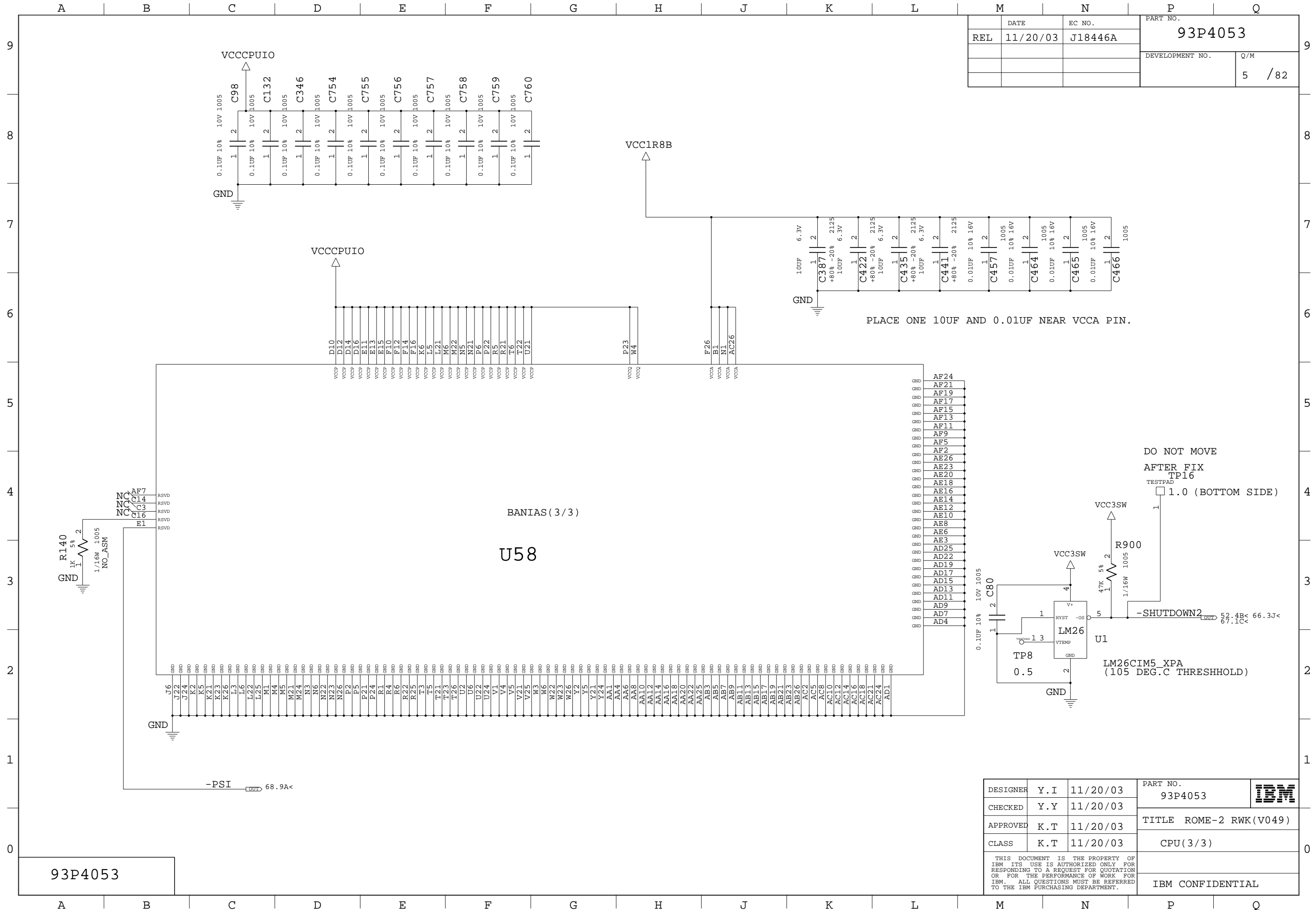


PLACE < 0.5 INCHES FROM BANIAS

93P4053

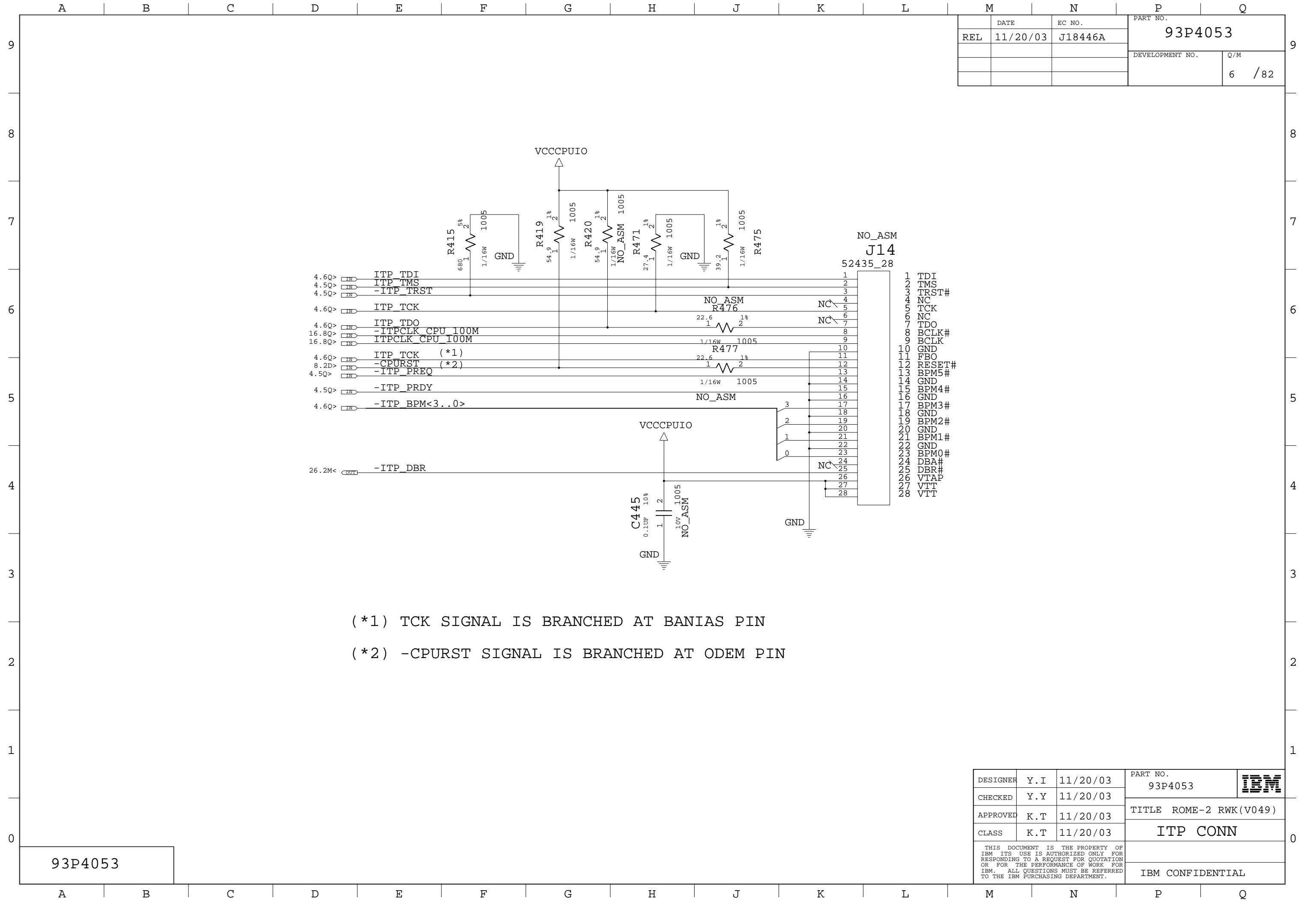
DESIGNER	Y. I	11/20/03	PART NO.	93P4053	
CHECKED	Y. Y	11/20/03	TITLE		
APPROVED	K. T	11/20/03	CPU(2/3)		
CLASS	K. T	11/20/03	IBM CONFIDENTIAL		

THIS DOCUMENT IS THE PROPERTY OF IBM ITS USE IS AUTHORIZED ONLY FOR RESPONDING TO A REQUEST FOR QUOTATION OR FOR THE PERFORMANCE OF WORK FOR IBM. ALL QUESTIONS MUST BE REFERRED TO THE IBM PURCHASING DEPARTMENT.



93P4053





(*1) TCK SIGNAL IS BRANCHED AT BANIAS PIN

(*2) -CPURST SIGNAL IS BRANCHED AT ODEM PIN

REL	DATE	EC NO.	PART NO.
	11/20/03	J18446A	93P4053
			DEVELOPMENT NO.
			Q/M
			6 / 82

DESIGNER	Y. I	11/20/03	PART NO.	93P4053	IBM
CHECKED	Y. Y	11/20/03			
APPROVED	K. T	11/20/03	TITLE ROME-2 RWK(V049)		
CLASS	K. T	11/20/03	ITP CONN		
THIS DOCUMENT IS THE PROPERTY OF IBM ITS USE IS AUTHORIZED ONLY FOR RESPONDING TO A REQUEST FOR QUOTATION OR FOR THE PERFORMANCE OF WORK FOR IBM. ALL QUESTIONS MUST BE REFERRED TO THE IBM PURCHASING DEPARTMENT.					IBM CONFIDENTIAL

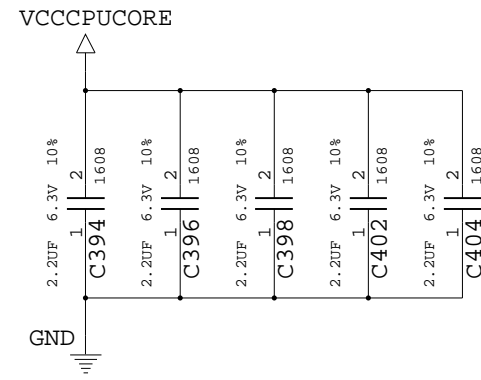
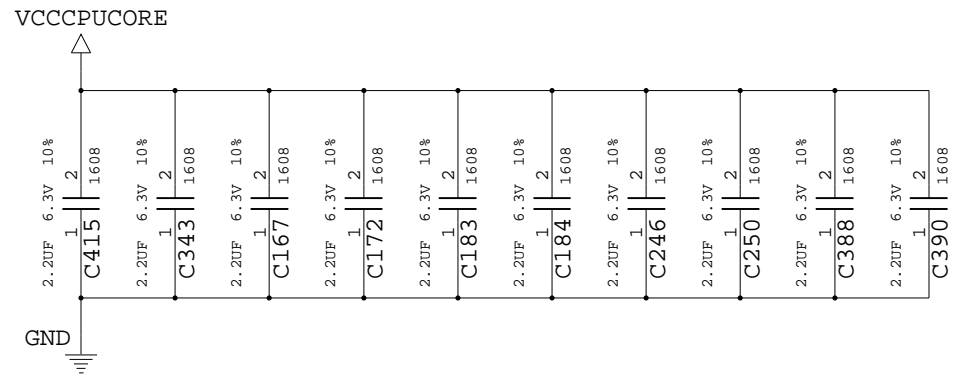
93P4053

A B C D E F G H J K L M N P Q

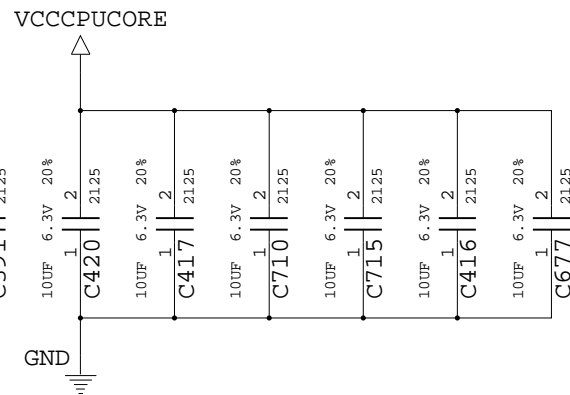
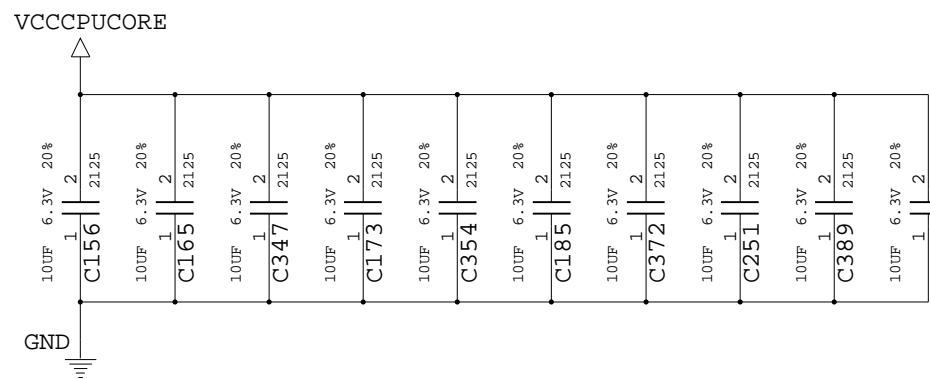
	DATE	EC NO.	PART NO.	
REL	11/20/03	J18446A	93P4053	
			DEVELOPMENT NO.	Q/M
				7 /82

9
8
7
6
5
4
3
2
1
0

9
8
7
6
5
4
3
2
1
0



2.2UF X5R 1608 1/16W X15PCS

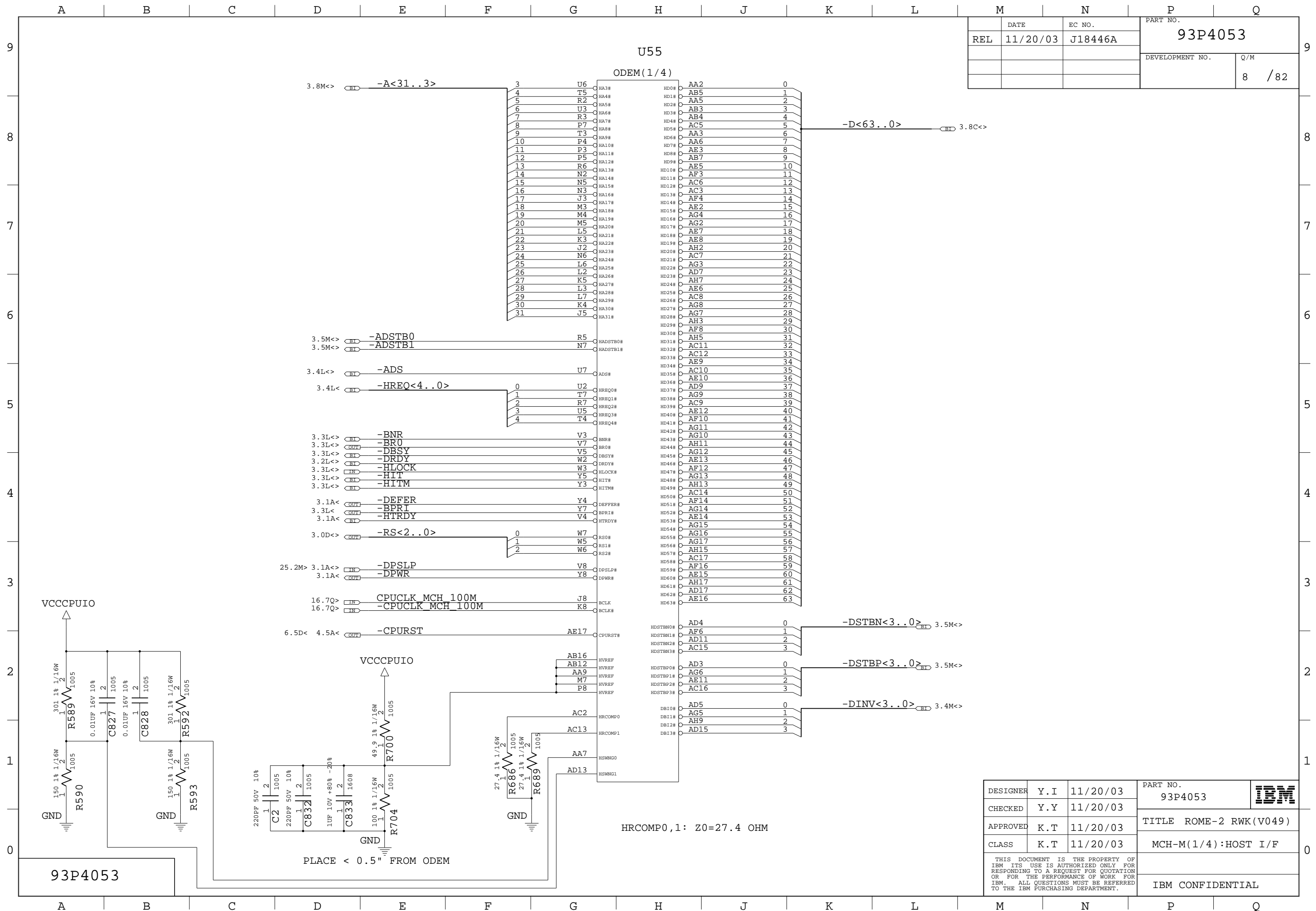


10UF X5R 2125 1/16W X16PCS

93P4053

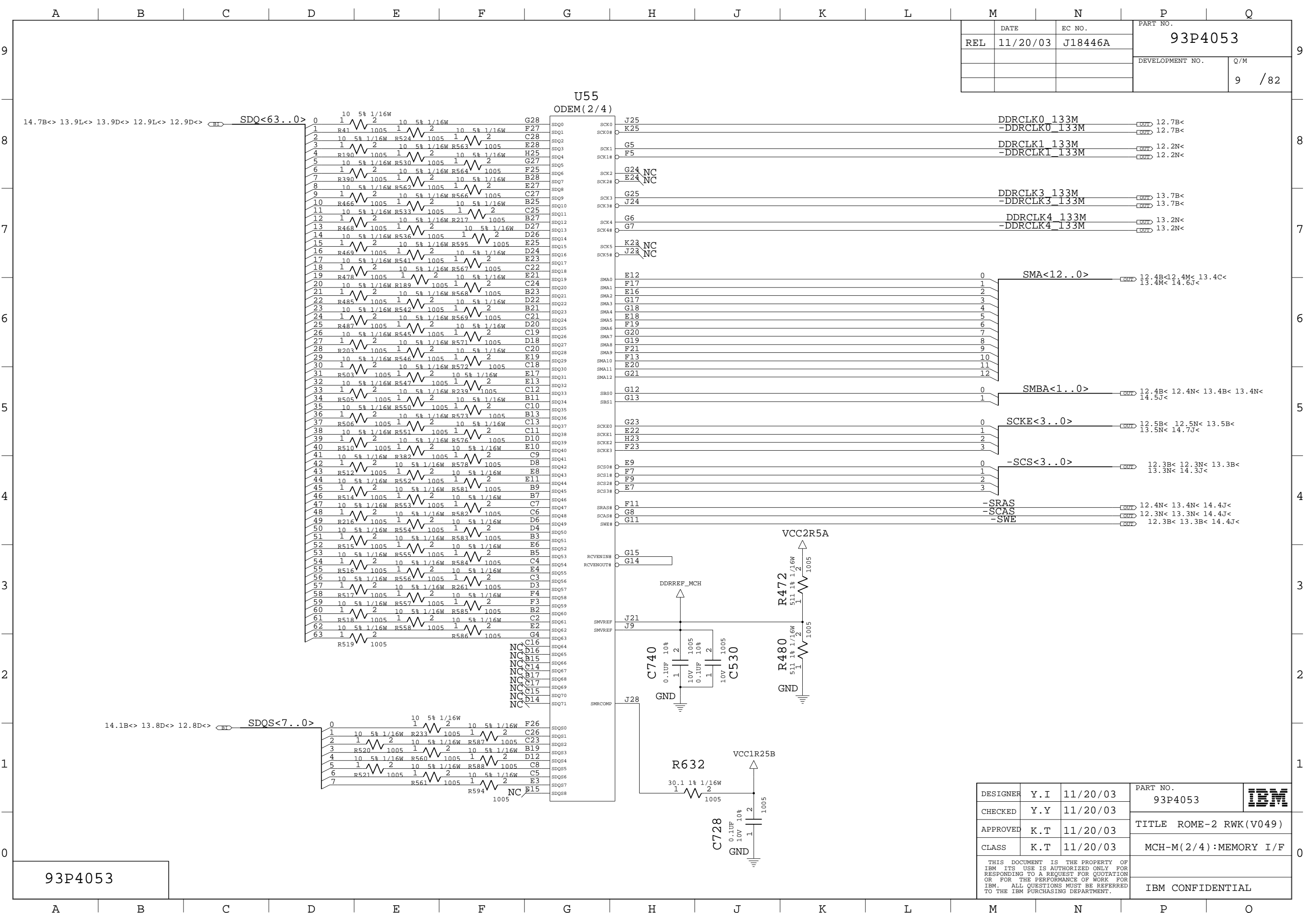
DESIGNER	Y. I	11/20/03	PART NO.	93P4053	
CHECKED	Y. Y	11/20/03			
APPROVED	K. T	11/20/03	TITLE ROME-2 RWK(V049)		
CLASS	K. T	11/20/03	VCCCPUCORE DECOUPLING		
THIS DOCUMENT IS THE PROPERTY OF IBM. ITS USE IS AUTHORIZED ONLY FOR RESPONDING TO A REQUEST FOR QUOTATION OR FOR THE PERFORMANCE OF WORK FOR IBM. ALL QUESTIONS MUST BE REFERRED TO THE IBM PURCHASING DEPARTMENT.				IBM CONFIDENTIAL	

A B C D E F G H J K L M N P Q



REL	DATE	EC NO.	PART NO.	
	11/20/03	J18446A	93P4053	
			DEVELOPMENT NO.	Q/M
				8 / 82

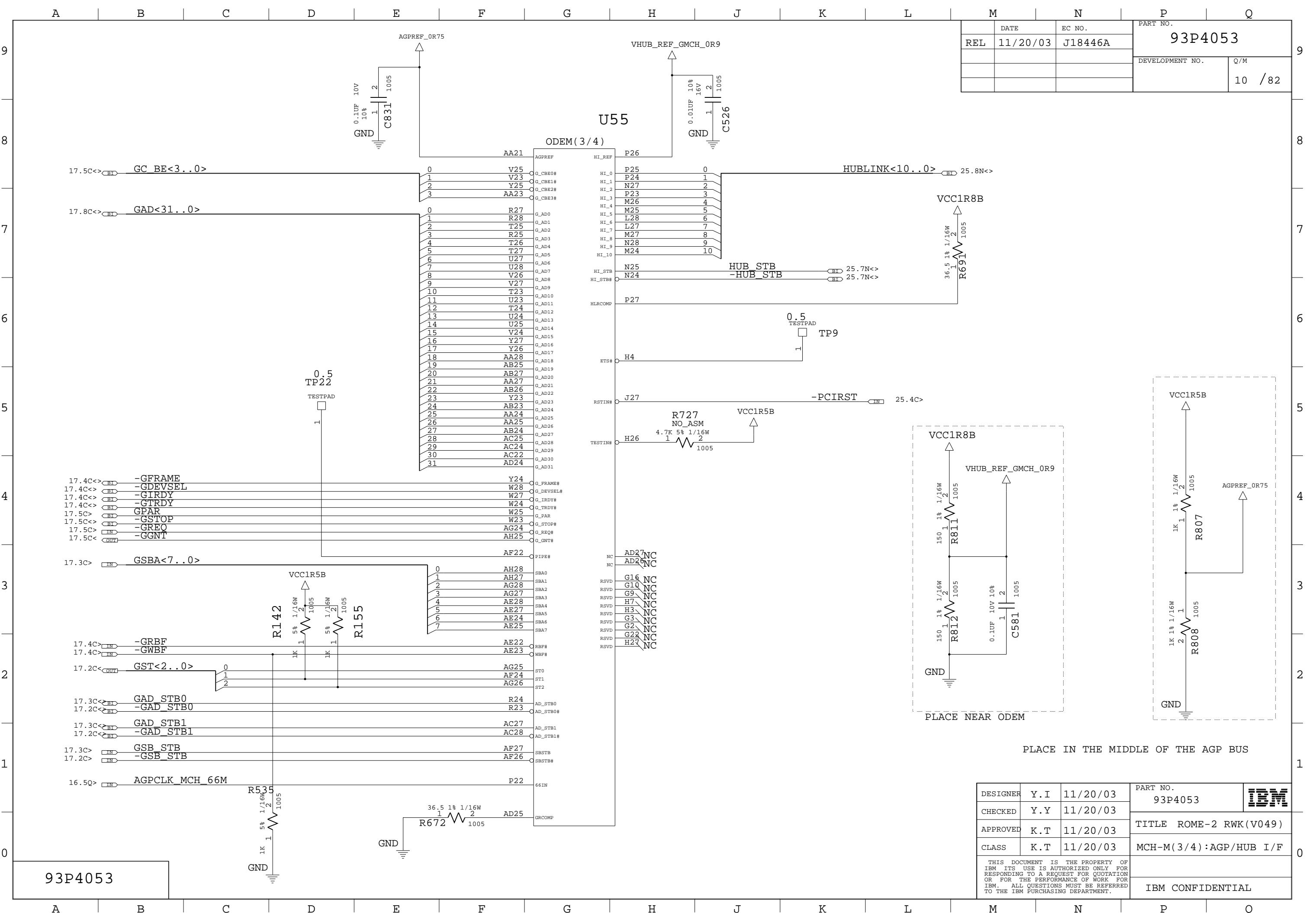
DESIGNER	Y.I	11/20/03	PART NO.	93P4053	IBM
CHECKED	Y.Y	11/20/03	TITLE		
APPROVED	K.T	11/20/03	CLASS	MCH-M(1/4):HOST I/F	
THIS DOCUMENT IS THE PROPERTY OF IBM ITS USE IS AUTHORIZED ONLY FOR RESPONDING TO A REQUEST FOR QUOTATION OR FOR THE PERFORMANCE OF WORK FOR IBM. ALL QUESTIONS MUST BE REFERRED TO THE IBM PURCHASING DEPARTMENT.					IBM CONFIDENTIAL



REL	DATE	EC NO.	PART NO.
	11/20/03	J18446A	93P4053
			DEVELOPMENT NO.
			9 / 82

DESIGNER	Y. I	11/20/03	PART NO.	93P4053	IBM
CHECKED	Y. Y	11/20/03	TITLE		
APPROVED	K. T	11/20/03	CLASS	MCH-M(2/4):MEMORY I/F	
					THIS DOCUMENT IS THE PROPERTY OF IBM. ITS USE IS AUTHORIZED ONLY FOR RESPONDING TO A REQUEST FOR QUOTATION OR FOR THE PERFORMANCE OF WORK FOR IBM. ALL QUESTIONS MUST BE REFERRED TO THE IBM PURCHASING DEPARTMENT.
					IBM CONFIDENTIAL

93P4053



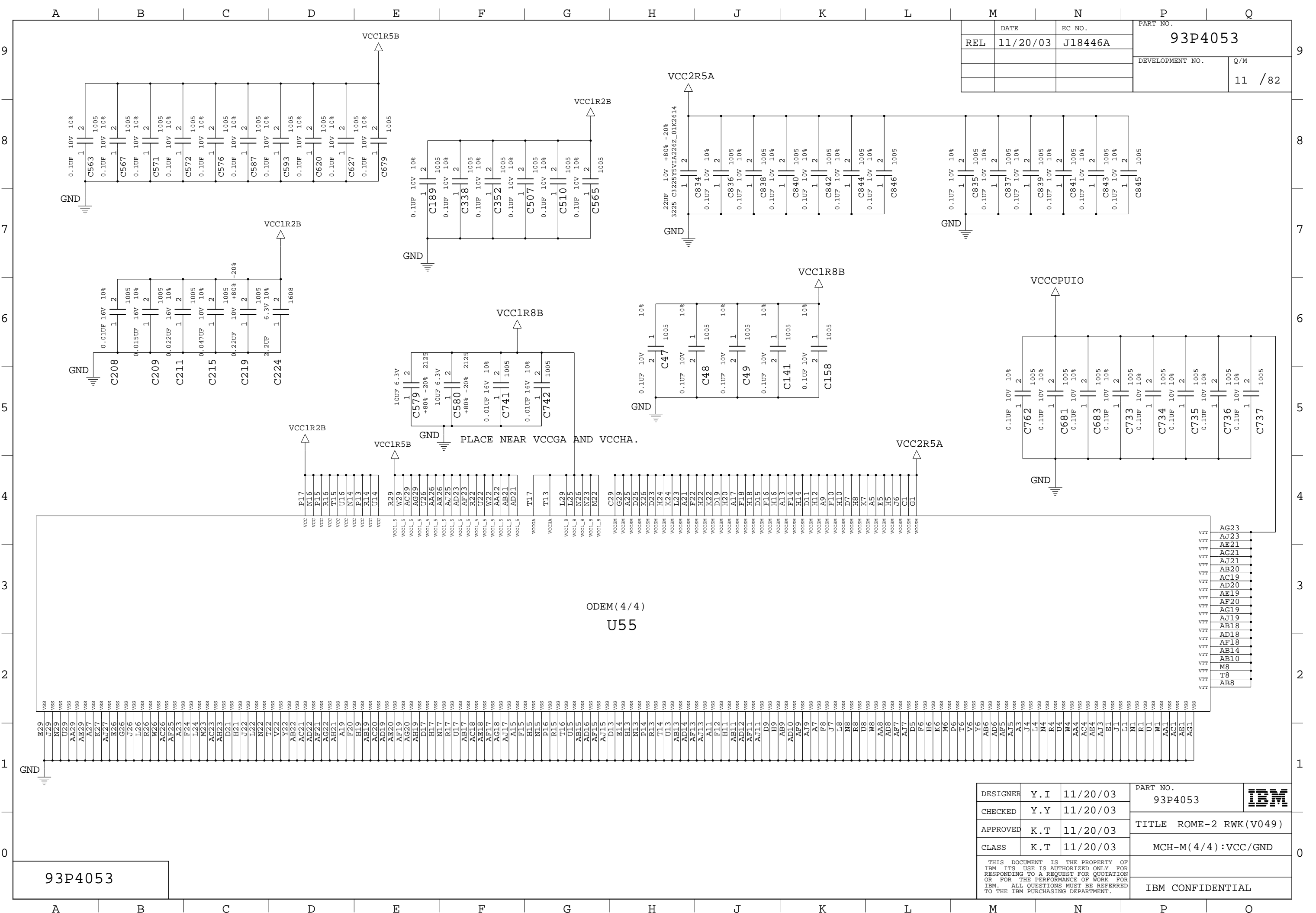
REL	DATE	EC NO.	PART NO.
	11/20/03	J18446A	93P4053
			DEVELOPMENT NO.
			Q/M
			10 / 82

93P4053

DESIGNER	Y.I	11/20/03	PART NO.	93P4053	
CHECKED	Y.Y	11/20/03	TITLE		
APPROVED	K.T	11/20/03	CLASS	MCH-M(3/4):AGP/HUB I/F	
THIS DOCUMENT IS THE PROPERTY OF IBM. ITS USE IS AUTHORIZED ONLY FOR RESPONDING TO A REQUEST FOR QUOTATION OR FOR THE PERFORMANCE OF WORK FOR IBM. ALL QUESTIONS MUST BE REFERRED TO THE IBM PURCHASING DEPARTMENT.					IBM CONFIDENTIAL

PLACE IN THE MIDDLE OF THE AGP BUS

PLACE NEAR ODEM



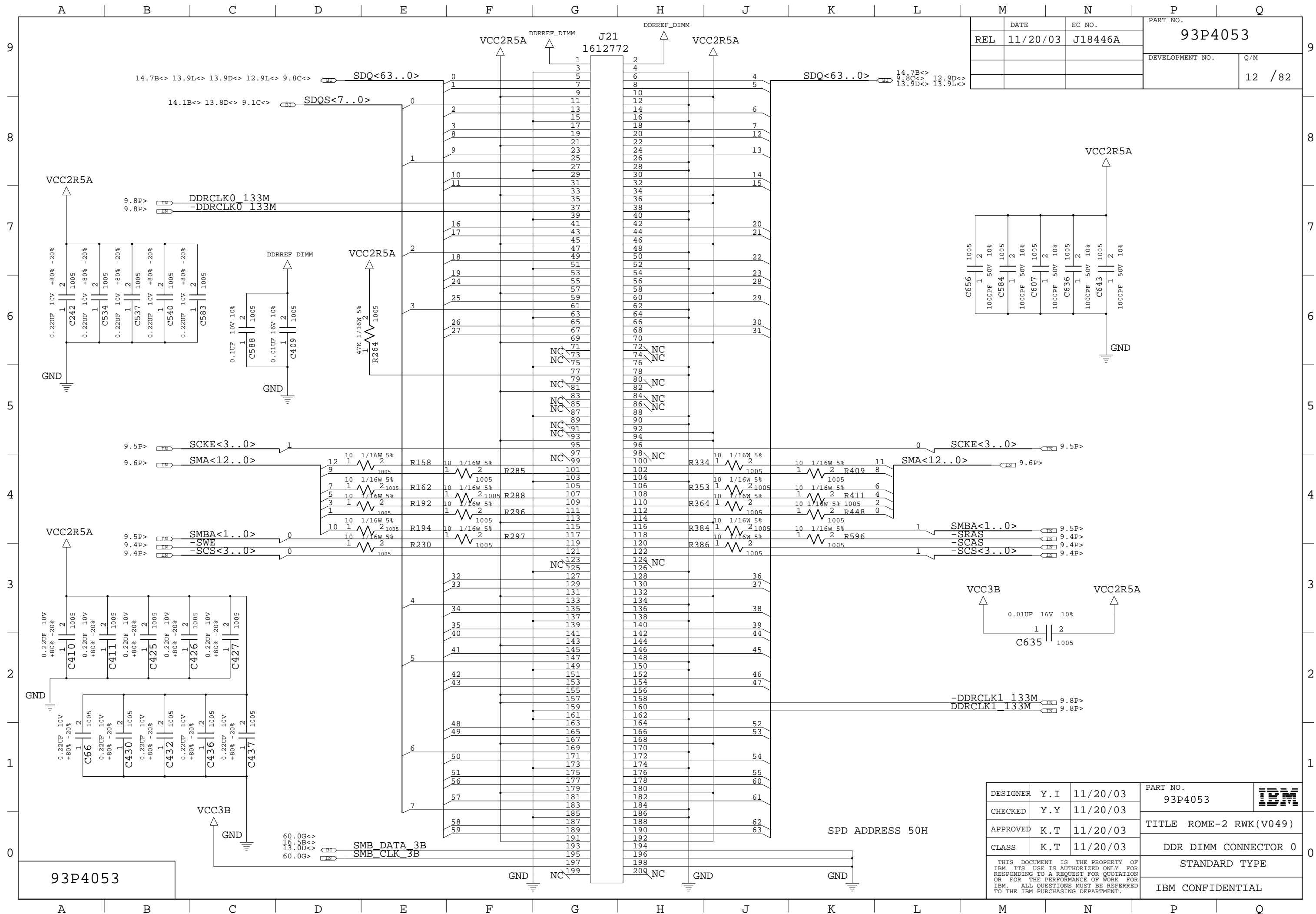
REL	DATE	EC NO.	PART NO.
11/20/03	11/20/03	J18446A	93P4053
			DEVELOPMENT NO.
			Q/M
			11 / 82

ODEM(4/4)
U55

PLACE NEAR VCCGA AND VCCHA.

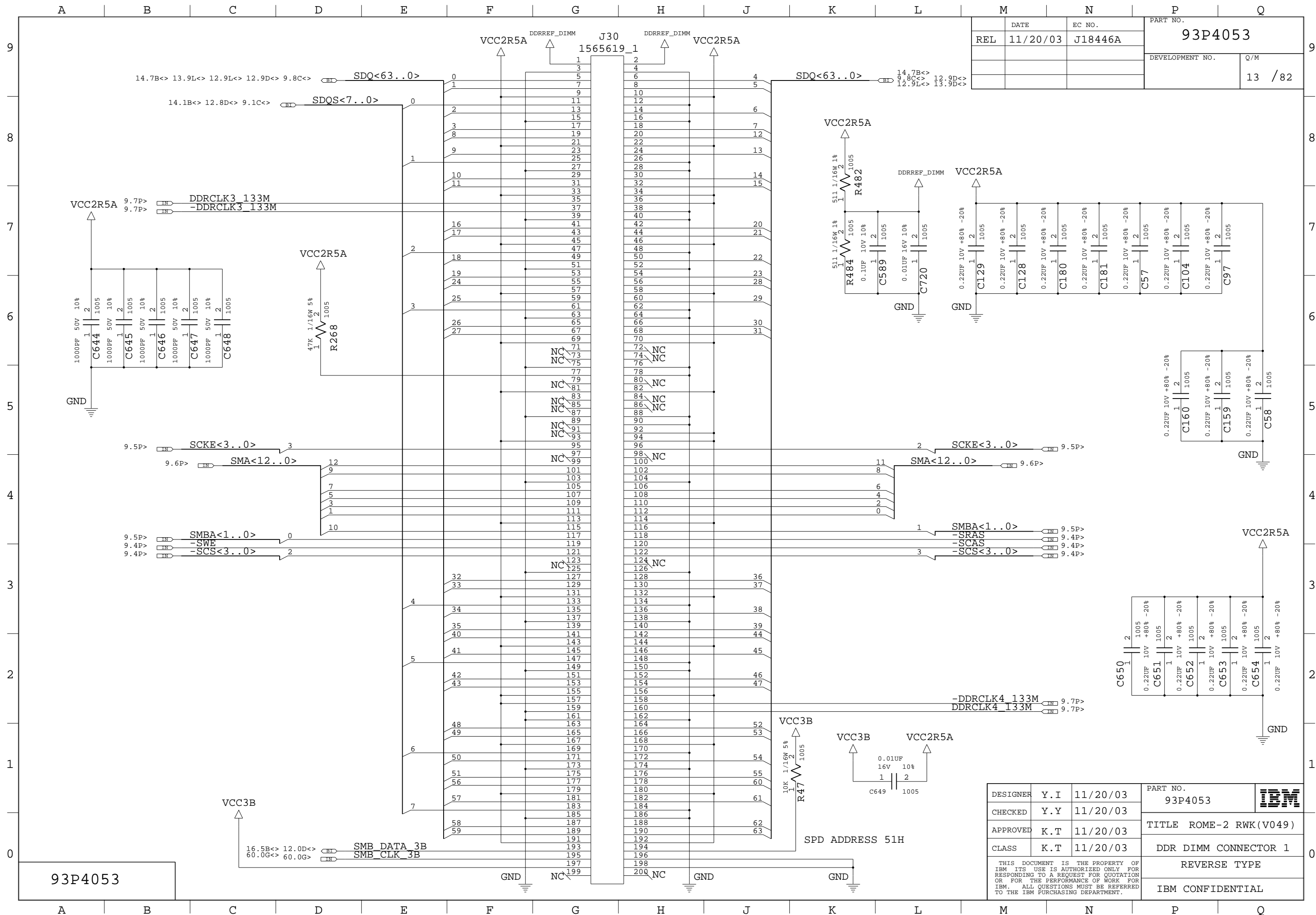
DESIGNER	Y.I	11/20/03	PART NO.	93P4053	
CHECKED	Y.Y	11/20/03	TITLE		
APPROVED	K.T	11/20/03		MCH-M(4/4):VCC/GND	
CLASS	K.T	11/20/03			IBM CONFIDENTIAL

93P4053



REL	DATE	EC NO.	PART NO.
	11/20/03	J18446A	93P4053
			DEVELOPMENT NO.
			Q/M
			12 / 82

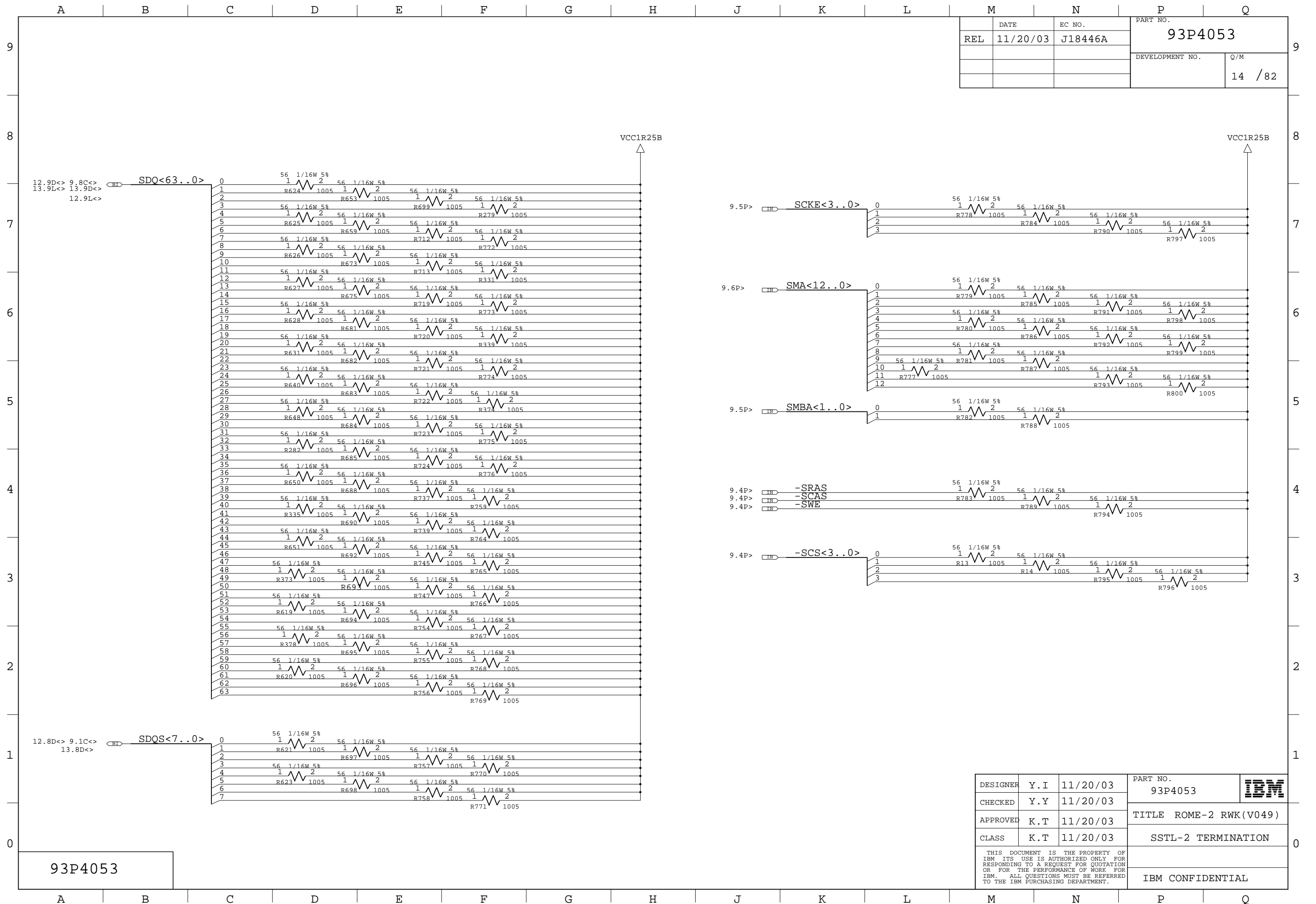
DESIGNER	Y.I	11/20/03	PART NO.	93P4053	
CHECKED	Y.Y	11/20/03			
APPROVED	K.T	11/20/03	TITLE	ROME-2 RWK(V049)	
CLASS	K.T	11/20/03		DDR DIMM CONNECTOR 0	
THIS DOCUMENT IS THE PROPERTY OF IBM ITS USE IS AUTHORIZED ONLY FOR RESPONDING TO A REQUEST FOR QUOTATION OR FOR THE PERFORMANCE OF WORK FOR IBM. ALL QUESTIONS MUST BE REFERRED TO THE IBM PURCHASING DEPARTMENT.				STANDARD TYPE	
				IBM CONFIDENTIAL	



REL	DATE	EC NO.	PART NO.
	11/20/03	J18446A	93P4053
			DEVELOPMENT NO.
			Q/M
			13 / 82

93P4053

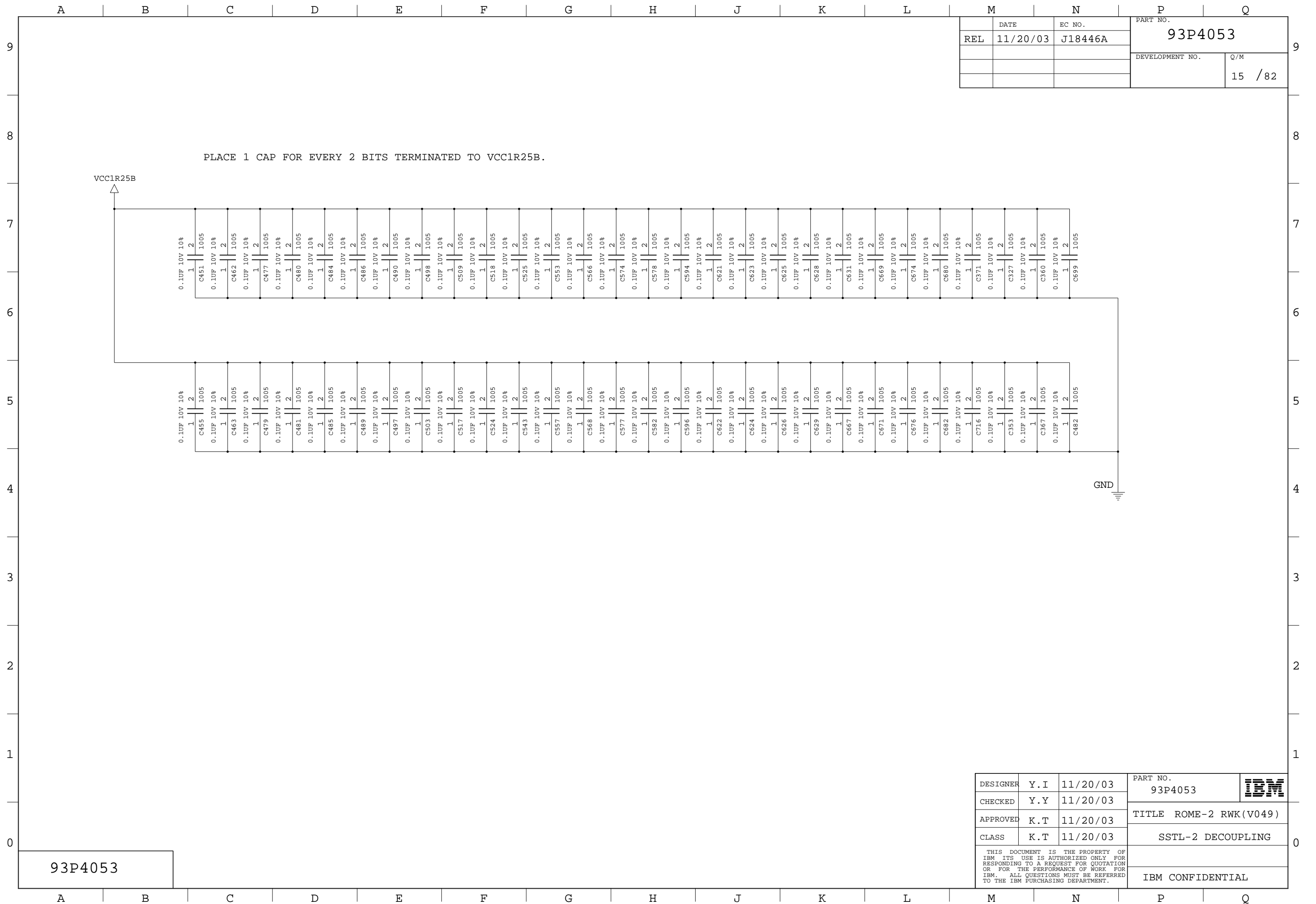
DESIGNER	Y.I	11/20/03	PART NO.	93P4053	
CHECKED	Y.Y	11/20/03	TITLE		
APPROVED	K.T	11/20/03	CLASS	DDR DIMM CONNECTOR 1	
				REVERSE TYPE	
				IBM CONFIDENTIAL	



REL	DATE	EC NO.	PART NO.
	11/20/03	J18446A	93P4053
			DEVELOPMENT NO.
			Q/M
			14 / 82

93P4053

DESIGNER	Y.I	11/20/03	PART NO.	IBM
CHECKED	Y.Y	11/20/03	93P4053	
APPROVED	K.T	11/20/03	TITLE ROME-2 RWK(V049)	
CLASS	K.T	11/20/03	SSTL-2 TERMINATION	
THIS DOCUMENT IS THE PROPERTY OF IBM. ITS USE IS AUTHORIZED ONLY FOR RESPONDING TO A REQUEST FOR QUOTATION OR FOR THE PERFORMANCE OF WORK FOR IBM. ALL QUESTIONS MUST BE REFERRED TO THE IBM PURCHASING DEPARTMENT.				IBM CONFIDENTIAL



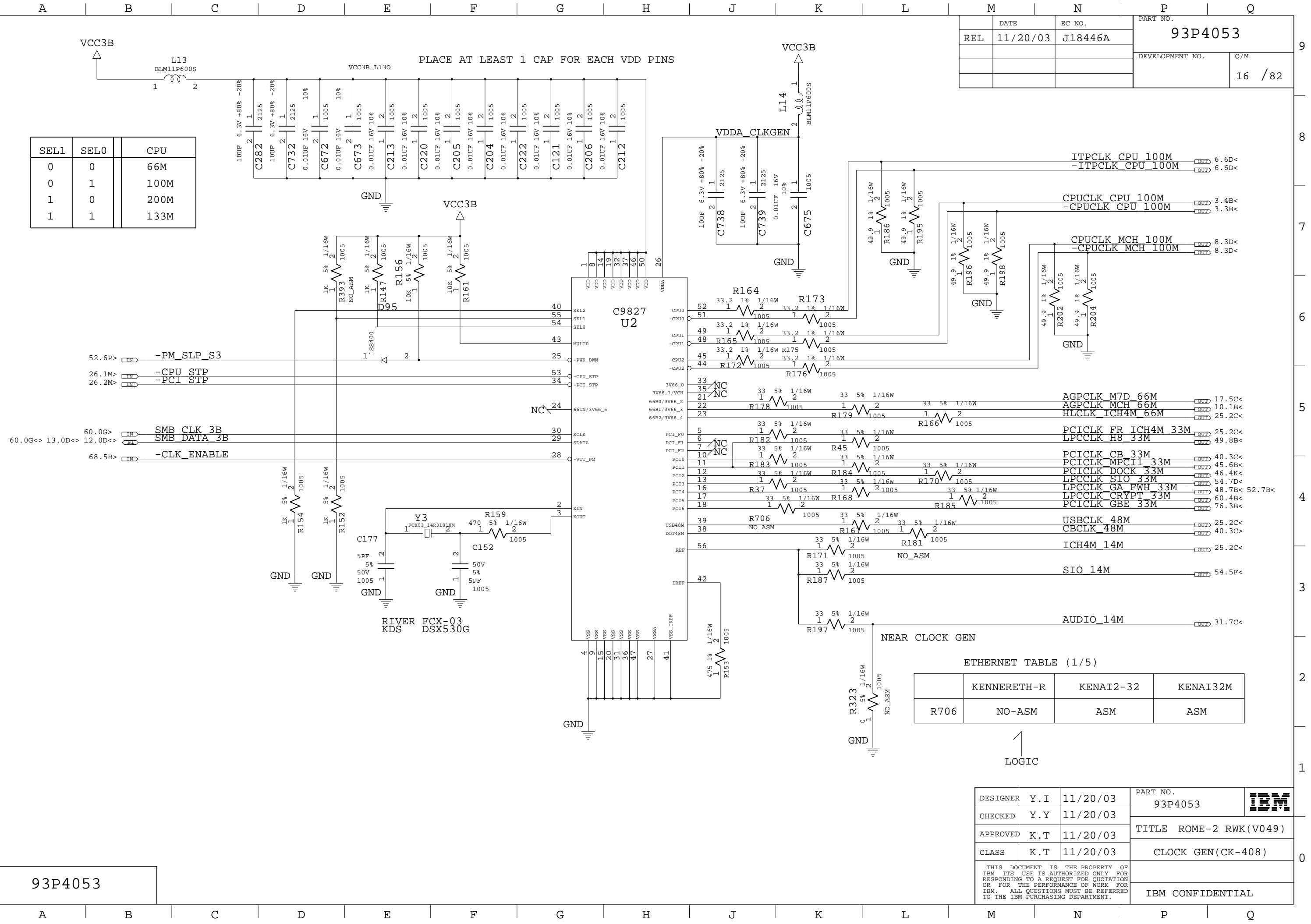
	DATE	EC NO.	PART NO.	
REL	11/20/03	J18446A	93P4053	
			DEVELOPMENT NO.	Q/M
				15 /82

93P4053

DESIGNER	Y. I	11/20/03	PART NO.	93P4053	
CHECKED	Y. Y	11/20/03			
APPROVED	K. T	11/20/03	TITLE ROME-2 RWK(V049)		
CLASS	K. T	11/20/03	SSTL-2 DECOUPLING		
THIS DOCUMENT IS THE PROPERTY OF IBM ITS USE IS AUTHORIZED ONLY FOR RESPONDING TO A REQUEST FOR QUOTATION OR FOR THE PERFORMANCE OF WORK FOR IBM. ALL QUESTIONS MUST BE REFERRED TO THE IBM PURCHASING DEPARTMENT.					IBM CONFIDENTIAL

DATE	11/20/03	EC NO.	J18446A	PART NO.	93P4053
REL				DEVELOPMENT NO.	16 / 82
				Q/M	

SEL1	SEL0	CPU
0	0	66M
0	1	100M
1	0	200M
1	1	133M



ETHERNET TABLE (1/5)

	KENNERETH-R	KENAI2-32	KENAI32M
R706	NO-ASM	ASM	ASM

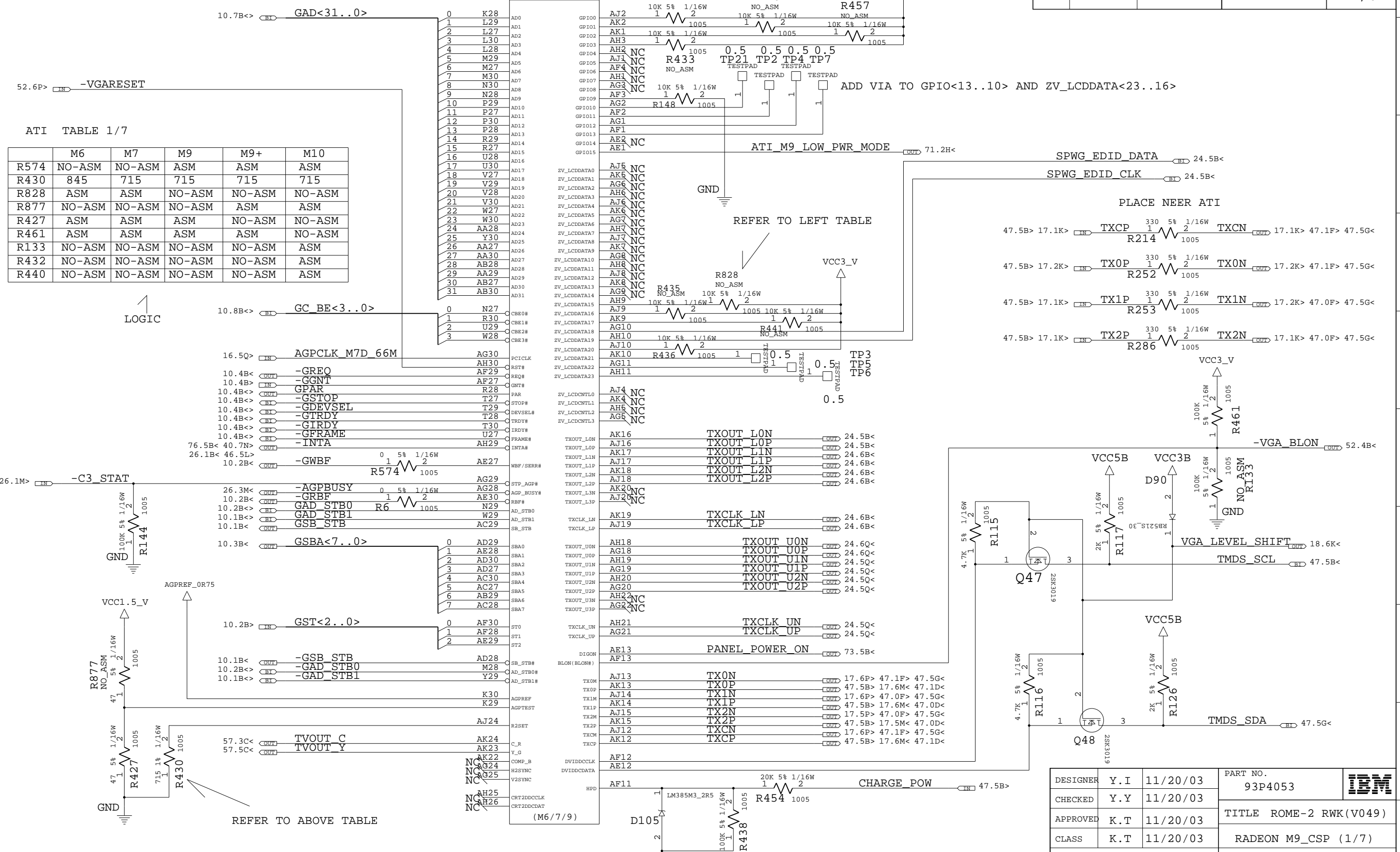
DESIGNER	Y.I	11/20/03	PART NO.	93P4053	IBM
CHECKED	Y.Y	11/20/03	TITLE	ROME-2 RWK(V049)	
APPROVED	K.T	11/20/03		CLOCK GEN(CK-408)	
CLASS	K.T	11/20/03			
THIS DOCUMENT IS THE PROPERTY OF IBM ITS USE IS AUTHORIZED ONLY FOR RESPONDING TO A REQUEST FOR QUOTATION OR FOR THE PERFORMANCE OF WORK FOR IBM. ALL QUESTIONS MUST BE REFERRED TO THE IBM PURCHASING DEPARTMENT.					IBM CONFIDENTIAL

93P4053

REL	DATE	EC NO.	PART NO.
	11/20/03	J18446A	93P4053
			DEVELOPMENT NO.
			Q/M
			17 / 82

U47

M10_CSP64_56(1/7)



ATI TABLE 1/7

	M6	M7	M9	M9+	M10
R574	NO-ASM	NO-ASM	ASM	ASM	ASM
R430	845	715	715	715	715
R828	ASM	ASM	NO-ASM	NO-ASM	NO-ASM
R877	NO-ASM	NO-ASM	NO-ASM	ASM	ASM
R427	ASM	ASM	ASM	NO-ASM	NO-ASM
R461	ASM	ASM	ASM	ASM	NO-ASM
R133	NO-ASM	NO-ASM	NO-ASM	NO-ASM	ASM
R432	NO-ASM	NO-ASM	NO-ASM	NO-ASM	ASM
R440	NO-ASM	NO-ASM	NO-ASM	NO-ASM	ASM

LOGIC

REFER TO ABOVE TABLE

REFER TO LEFT TABLE

PLACE NEER ATI

DESIGNER	Y.I	11/20/03	PART NO.	93P4053	IBM
CHECKED	Y.Y	11/20/03	TITLE	ROME-2 RWK(V049)	
APPROVED	K.T	11/20/03	CLASS	RADEON M9_CSP (1/7)	
THIS DOCUMENT IS THE PROPERTY OF IBM ITS USE IS AUTHORIZED ONLY FOR RESPONDING TO A REQUEST FOR QUOTATION OR FOR THE PERFORMANCE OF WORK FOR IBM. ALL QUESTIONS MUST BE REFERRED TO THE IBM PURCHASING DEPARTMENT.				IBM CONFIDENTIAL	

93P4053



DATE	11/20/03	EC NO.	J18446A	PART NO.	93P4053
REL				DEVELOPMENT NO.	18 / 82
				Q/M	

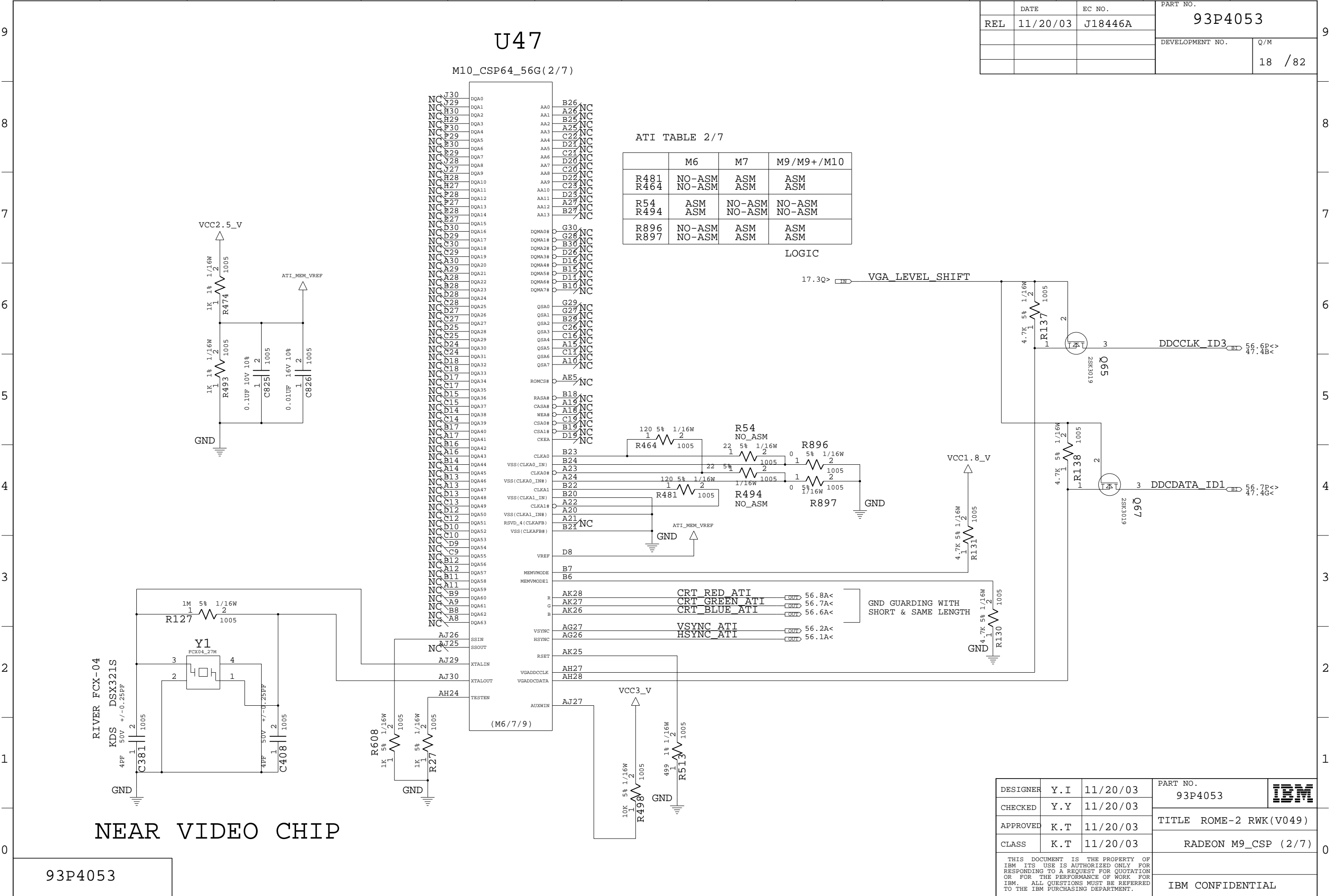
U47

M10_CSP64_56G(2/7)

ATI TABLE 2/7

	M6	M7	M9/M9+/M10
R481 R464	NO-ASM NO-ASM	ASM ASM	ASM ASM
R54 R494	ASM ASM	NO-ASM NO-ASM	NO-ASM NO-ASM
R896 R897	NO-ASM NO-ASM	ASM ASM	ASM ASM

LOGIC



NEAR VIDEO CHIP

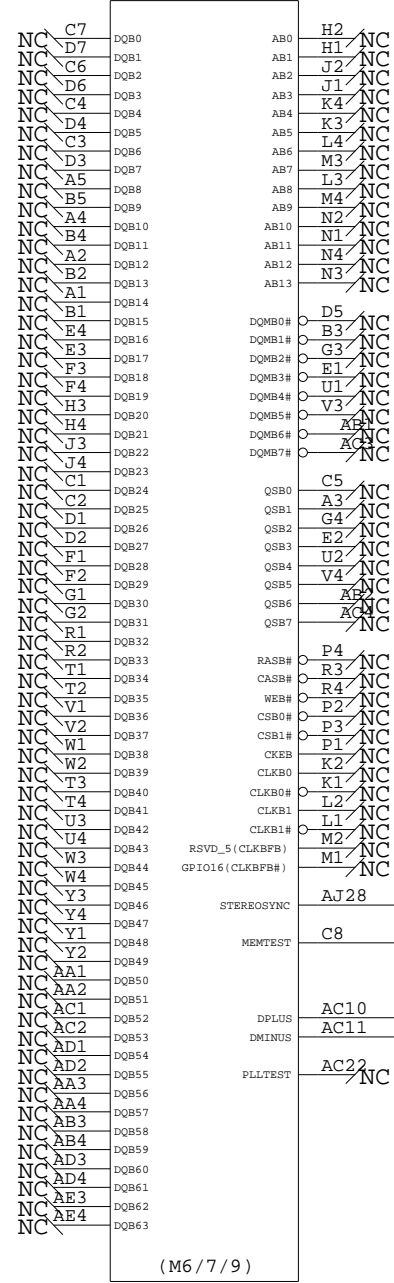
93P4053

DESIGNER	Y.I	11/20/03	PART NO.	93P4053	
CHECKED	Y.Y	11/20/03	TITLE	ROME-2 RWK(V049)	
APPROVED	K.T	11/20/03		RADEON M9_CSP (2/7)	
CLASS	K.T	11/20/03			
THIS DOCUMENT IS THE PROPERTY OF IBM ITS USE IS AUTHORIZED ONLY FOR RESPONDING TO A REQUEST FOR QUOTATION OR FOR THE PERFORMANCE OF WORK FOR IBM. ALL QUESTIONS MUST BE REFERRED TO THE IBM PURCHASING DEPARTMENT.					IBM CONFIDENTIAL

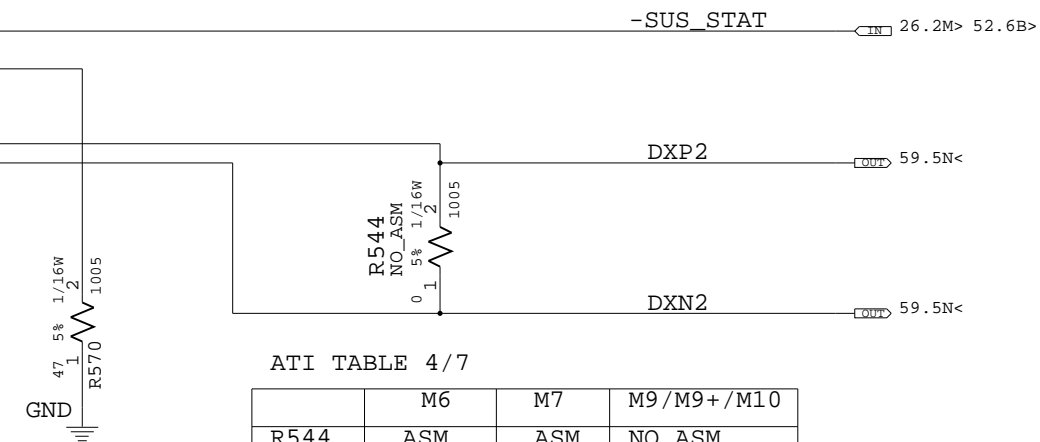
	DATE	EC NO.	PART NO.	
REL	11/20/03	J18446A	93P4053	
			DEVELOPMENT NO.	Q/M
				19 /82

U47

M10_CSP64_56G(3/7)



(M6/7/9)



ATI TABLE 4/7

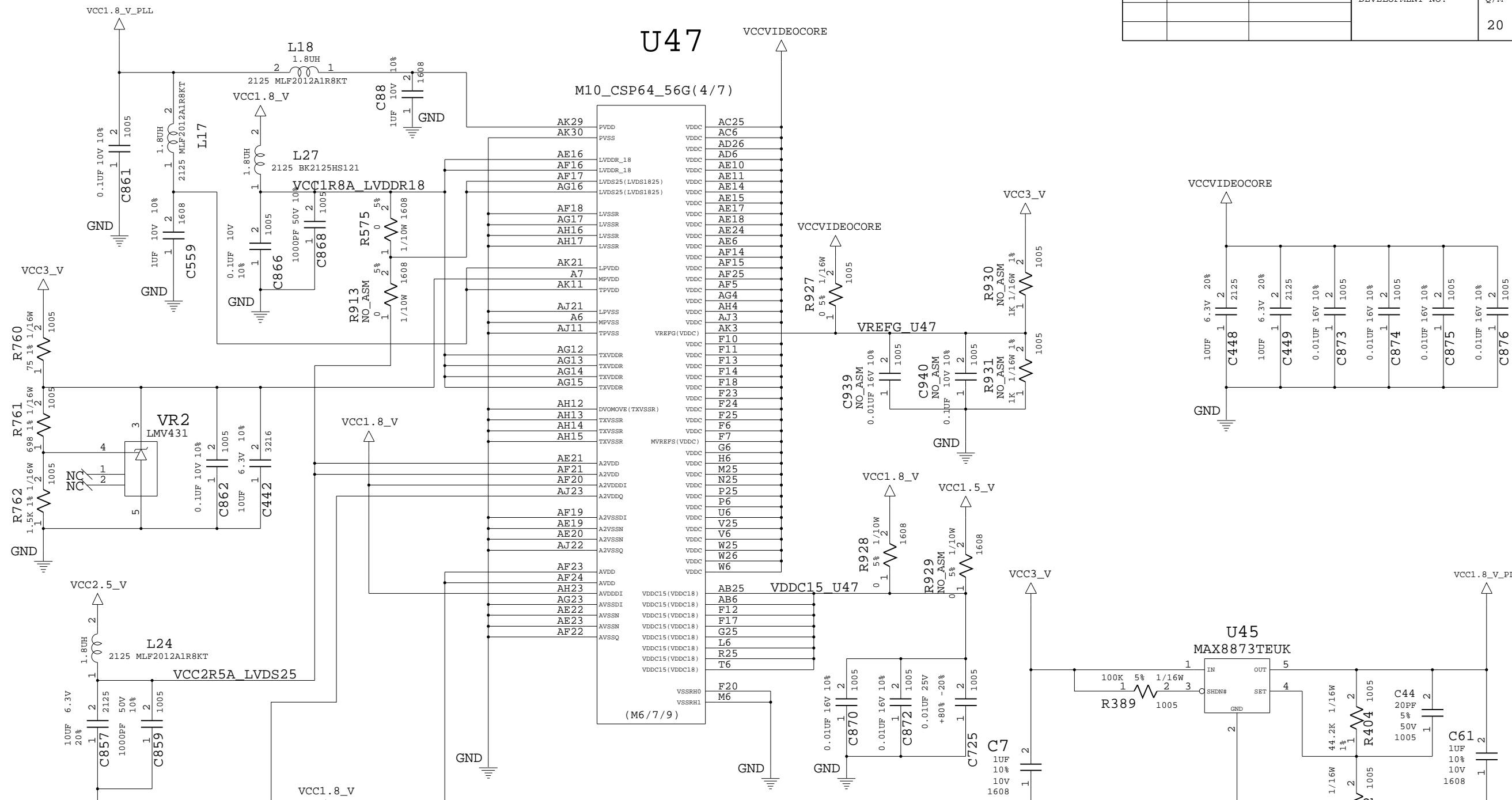
	M6	M7	M9/M9+/M10
R544	ASM	ASM	NO_ASM

LOGIC

93P4053

DESIGNER	Y. I	11/20/03	PART NO.	93P4053	IBM
CHECKED	Y. Y	11/20/03			
APPROVED	K. T	11/20/03	TITLE ROME-2 RWK(V049)		
CLASS	K. T	11/20/03	RADEON M9_CSP (3/7)		
THIS DOCUMENT IS THE PROPERTY OF IBM ITS USE IS AUTHORIZED ONLY FOR RESPONDING TO A REQUEST FOR QUOTATION OR FOR THE PERFORMANCE OF WORK FOR IBM. ALL QUESTIONS MUST BE REFERRED TO THE IBM PURCHASING DEPARTMENT.					IBM CONFIDENTIAL

REL	DATE	EC NO.	PART NO.
	11/20/03	J18446A	93P4053
			DEVELOPMENT NO.
			Q/M
			20 / 82



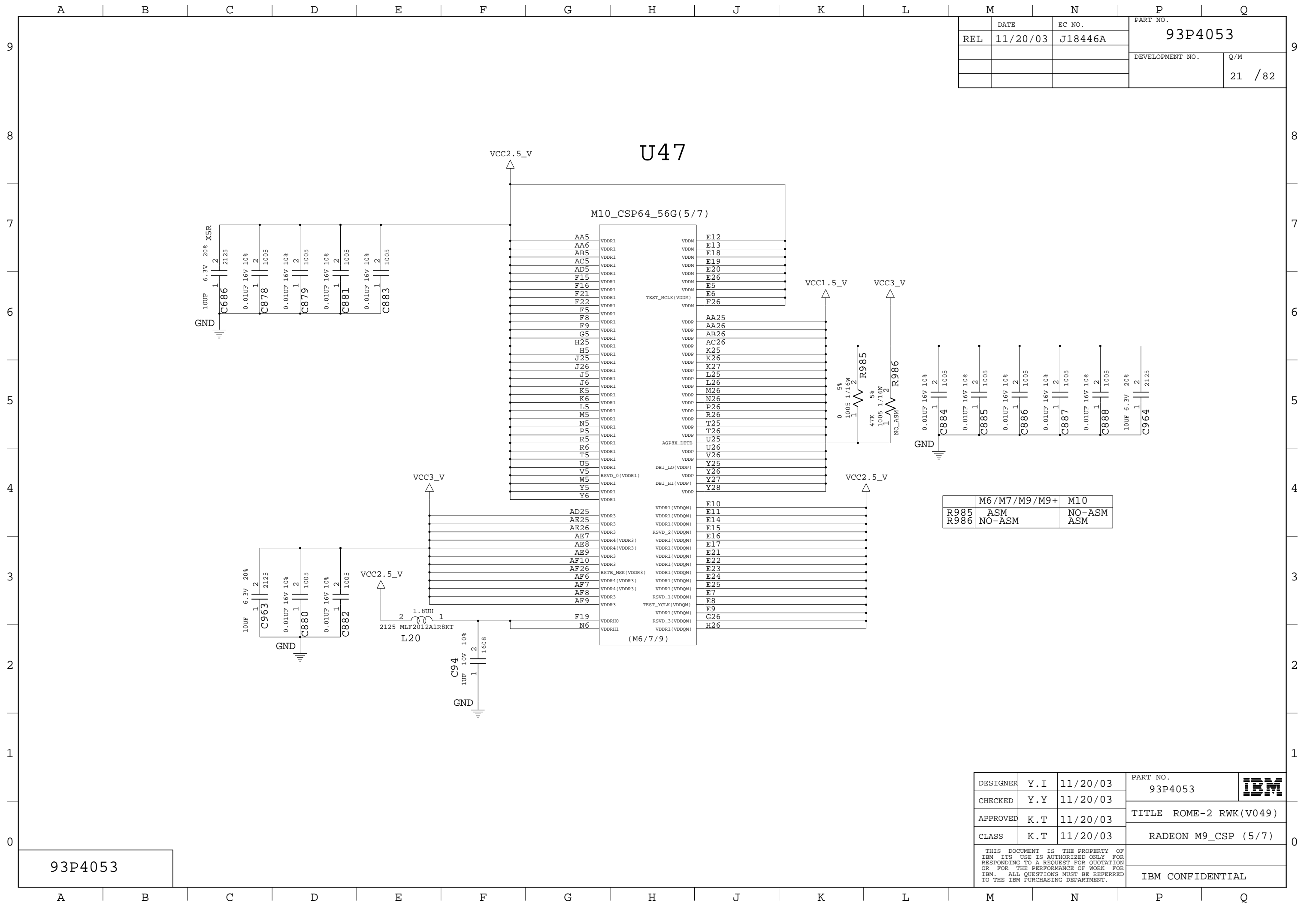
ATI TABLE 7/7

	M6/M7/M9/M9+	M10
R575	ASM	NO-ASM
R913	NO-ASM	ASM
R928	ASM	NO-ASM
R929	NO-ASM	ASM
R927	ASM	NO-ASM
R930	NO-ASM	ASM
R931	NO-ASM	ASM
C939	NO-ASM	ASM
C940	NO-ASM	ASM
L24	MLF2012A1R8KT	BK2125HS121
L27	BK2125HS121	MLF2012A1R8KT

LOGIC

93P4053

DESIGNER	Y.I	11/20/03	PART NO.	93P4053	
CHECKED	Y.Y	11/20/03	TITLE		
APPROVED	K.T	11/20/03	CLASS	RADEON M9_CSP (4/7)	
THIS DOCUMENT IS THE PROPERTY OF IBM. ITS USE IS AUTHORIZED ONLY FOR RESPONDING TO A REQUEST FOR QUOTATION OR FOR THE PERFORMANCE OF WORK FOR IBM. ALL QUESTIONS MUST BE REFERRED TO THE IBM PURCHASING DEPARTMENT.				IBM CONFIDENTIAL	

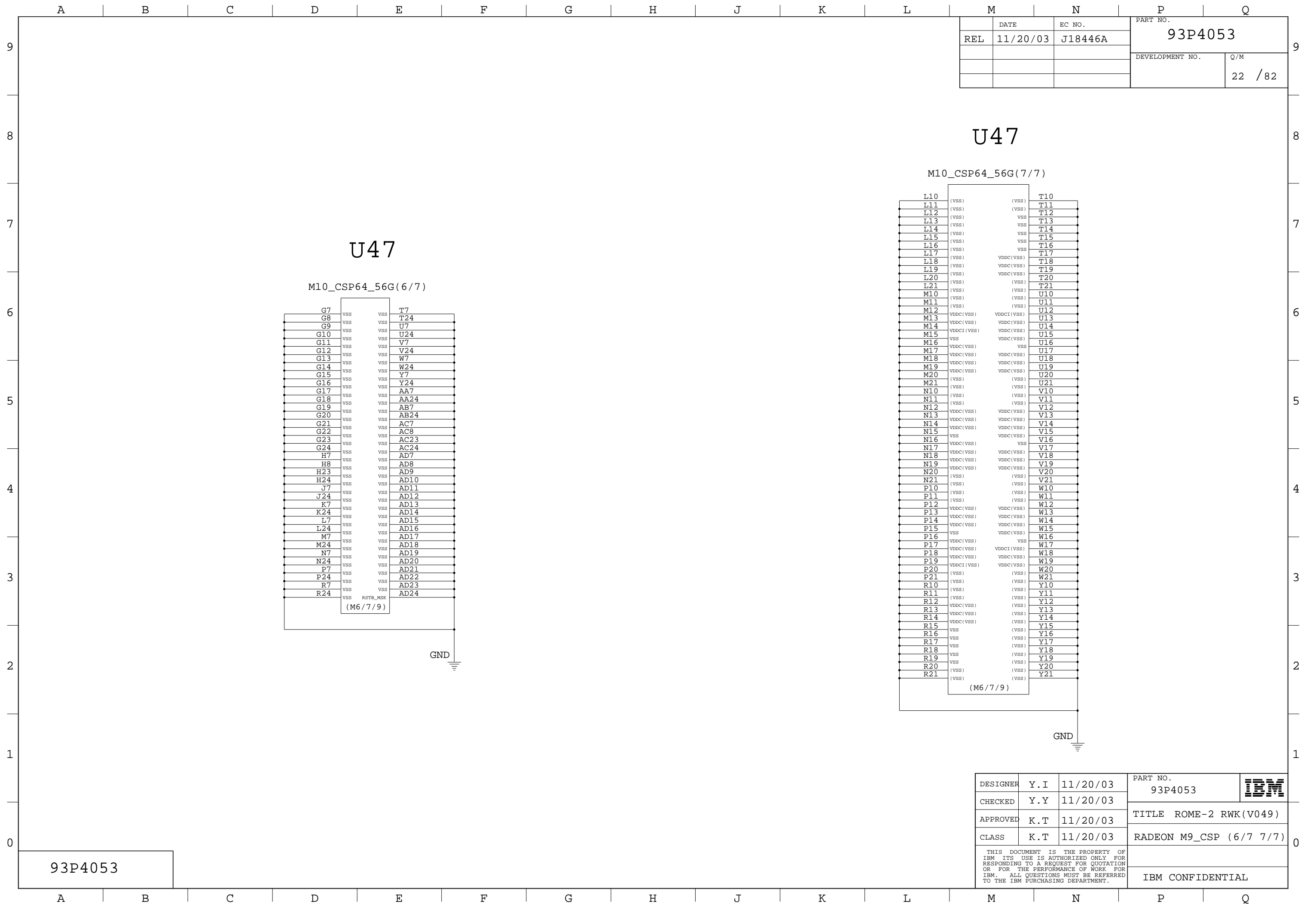


REL	DATE	EC NO.	PART NO.
	11/20/03	J18446A	93P4053
			DEVELOPMENT NO. Q/M
			21 /82

93P4053

DESIGNER	Y.I	11/20/03	PART NO.	93P4053	
CHECKED	Y.Y	11/20/03	TITLE ROME-2 RWK(V049)		
APPROVED	K.T	11/20/03	RADEON M9_CSP (5/7)		
CLASS	K.T	11/20/03	IBM CONFIDENTIAL		

THIS DOCUMENT IS THE PROPERTY OF IBM ITS USE IS AUTHORIZED ONLY FOR RESPONDING TO A REQUEST FOR QUOTATION OR FOR THE PERFORMANCE OF WORK FOR IBM. ALL QUESTIONS MUST BE REFERRED TO THE IBM PURCHASING DEPARTMENT.



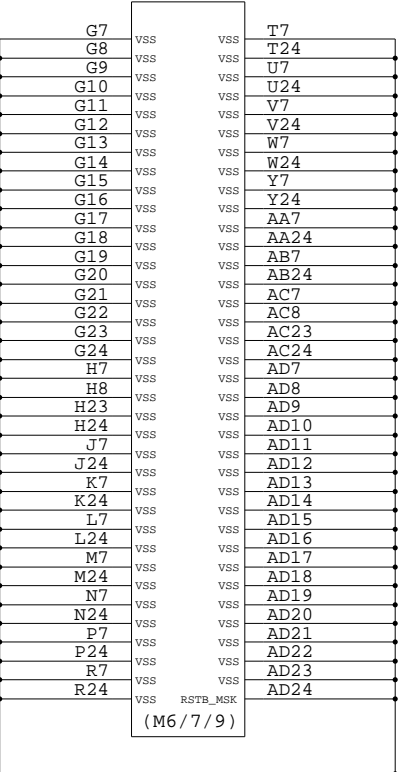
	DATE	EC NO.	PART NO.	
REL	11/20/03	J18446A	93P4053	
			DEVELOPMENT NO.	Q/M
				22 /82

U47

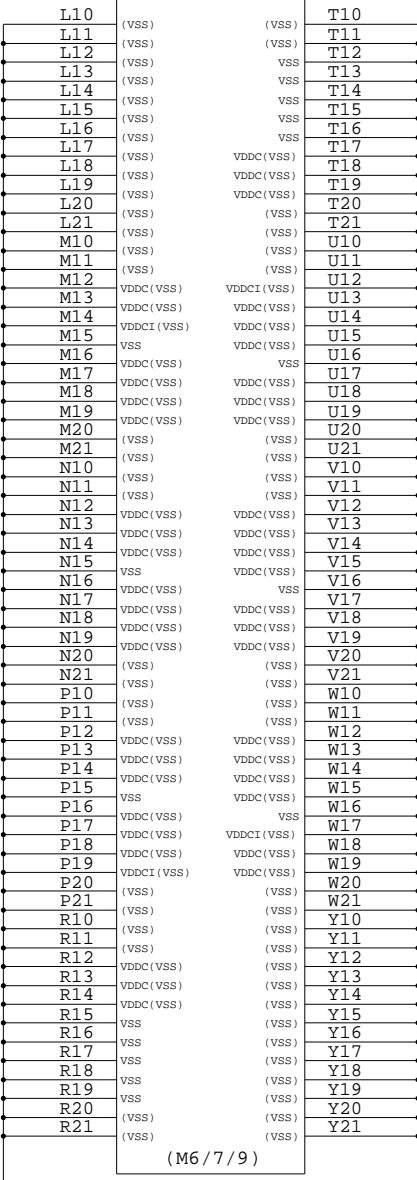
M10_CSP64_56G(7/7)

U47

M10_CSP64_56G(6/7)



GND



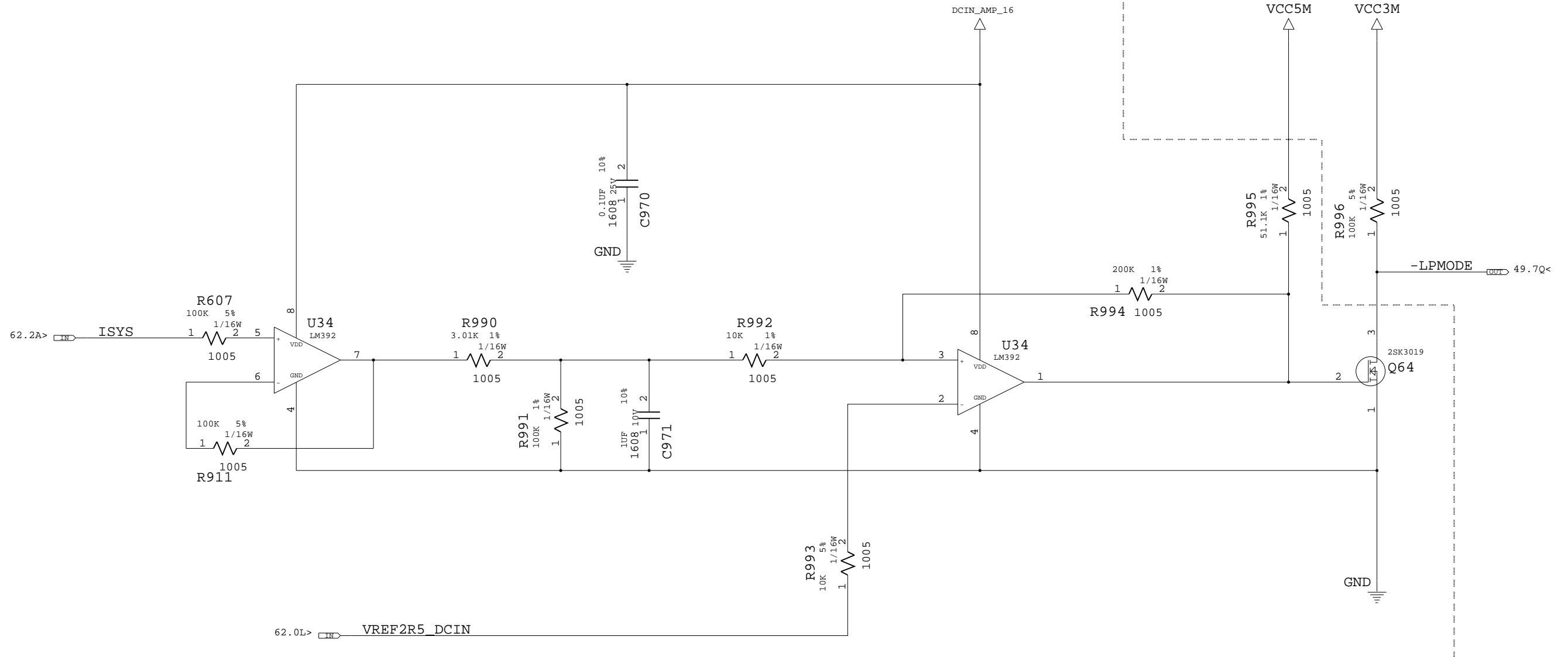
GND

93P4053

DESIGNER	Y. I	11/20/03	PART NO.	93P4053	IBM
CHECKED	Y. Y	11/20/03			
APPROVED	K. T	11/20/03	TITLE ROME-2 RWK(V049)		
CLASS	K. T	11/20/03	RADEON M9_CSP (6/7 7/7)		
THIS DOCUMENT IS THE PROPERTY OF IBM. ITS USE IS AUTHORIZED ONLY FOR RESPONDING TO A REQUEST FOR QUOTATION OR FOR THE PERFORMANCE OF WORK FOR IBM. ALL QUESTIONS MUST BE REFERRED TO THE IBM PURCHASING DEPARTMENT.				IBM CONFIDENTIAL	

REL	DATE 11/20/03	EC NO. J18446A	PART NO. 93P4053
			DEVELOPMENT NO. Q/M 23 /82

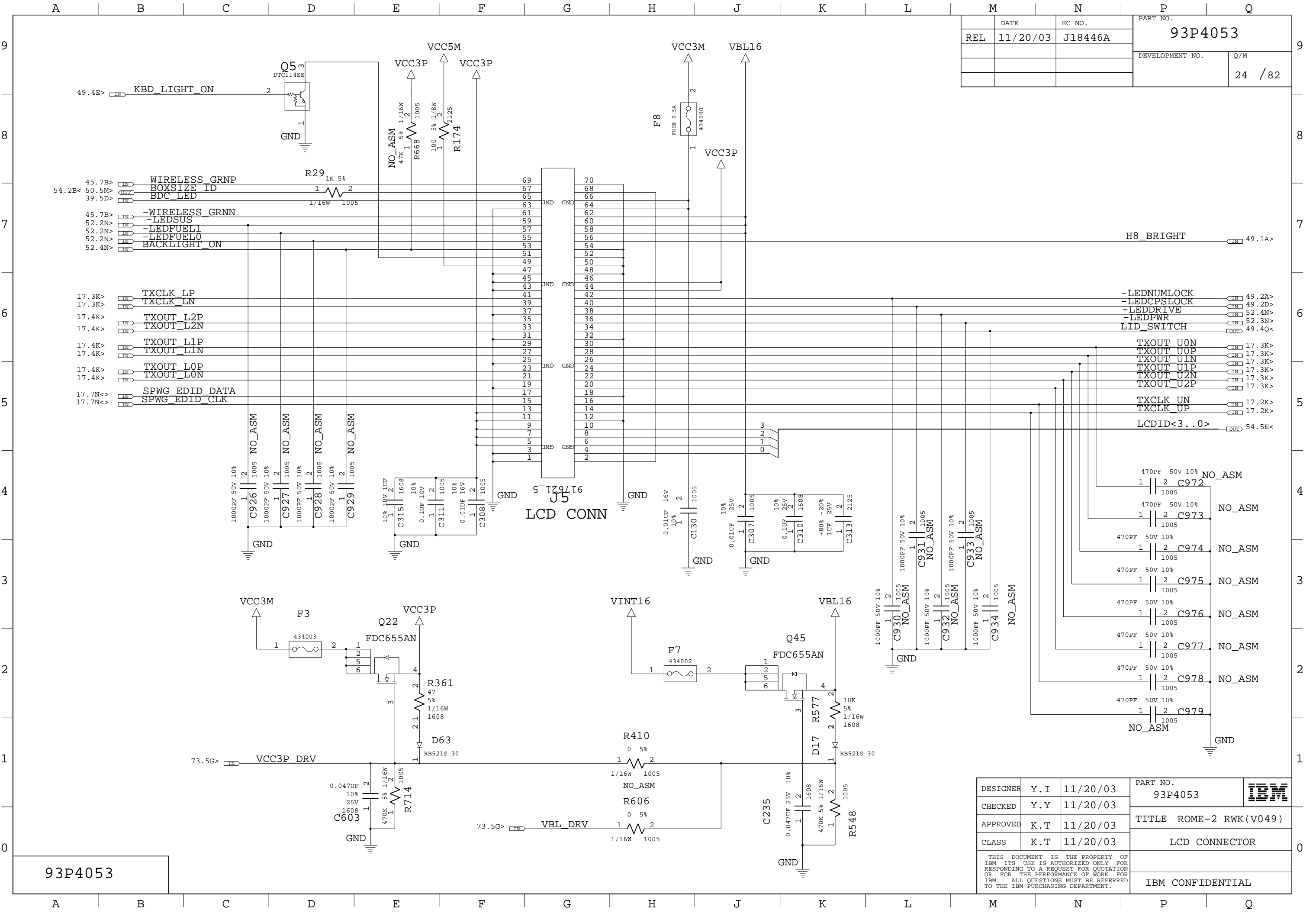
ASM PARTS FOR M10 ONLY



	M10	OTHERS
C970	ASM	NO-ASM
C971	ASM	NO-ASM
R607	ASM	NO-ASM
R911	ASM	NO-ASM
R990	ASM	NO-ASM
R991	ASM	NO-ASM
R992	ASM	NO-ASM
R993	ASM	NO-ASM
R994	ASM	NO-ASM
R995	ASM	NO-ASM
R996	ASM	NO-ASM
Q64	ASM	NO-ASM
U34	ASM	NO-ASM

93P4053

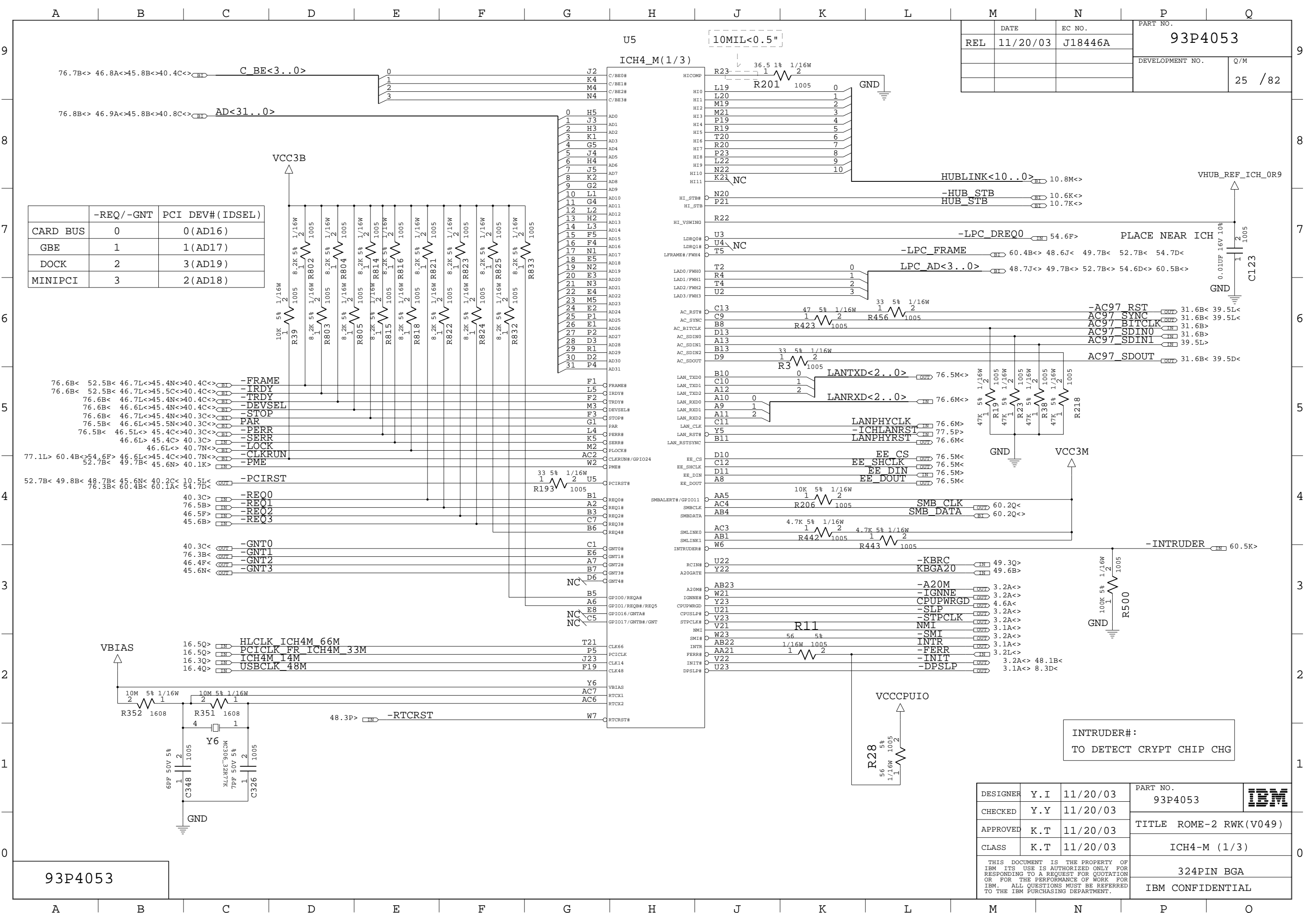
DESIGNER	Y. I	11/20/03	PART NO. 93P4053	IBM
CHECKED	Y. Y	11/20/03	TITLE ROME-2 RWK(V049)	
APPROVED	K. T	11/20/03	CLASS DC/DC MAX PWR CTRL	
CLASS	K. T	11/20/03	THIS DOCUMENT IS THE PROPERTY OF IBM. ITS USE IS AUTHORIZED ONLY FOR RESPONDING TO A REQUEST FOR QUOTATION OR FOR THE PERFORMANCE OF WORK FOR IBM. ALL QUESTIONS MUST BE REFERRED TO THE IBM PURCHASING DEPARTMENT.	
				IBM CONFIDENTIAL



REL	DATE	EC NO.	PART NO.
	11/20/03	J18446A	93P4053
			DEVELOPMENT NO.
			Q/M
			24 / 82

93P4053

DESIGNER	Y.I	11/20/03	PART NO.	93P4053	
CHECKED	Y.Y	11/20/03	TITLE		
APPROVED	K.T	11/20/03		LCD CONNECTOR	
CLASS	K.T	11/20/03			
THIS DOCUMENT IS THE PROPERTY OF IBM. ITS USE IS AUTHORIZED ONLY FOR RESPONDING TO A REQUEST FOR QUOTATION OR FOR THE PERFORMANCE OF WORK FOR IBM. ALL QUESTIONS MUST BE REFERRED TO THE IBM PURCHASING DEPARTMENT.					IBM CONFIDENTIAL



REL	DATE	EC NO.	PART NO.
	11/20/03	J18446A	93P4053
			DEVELOPMENT NO.
			Q/M
			25 / 82

	-REQ/-GNT	PCI DEV#(IDSEL)
CARD BUS	0	0 (AD16)
GBE	1	1 (AD17)
DOCK	2	3 (AD19)
MINIPCI	3	2 (AD18)

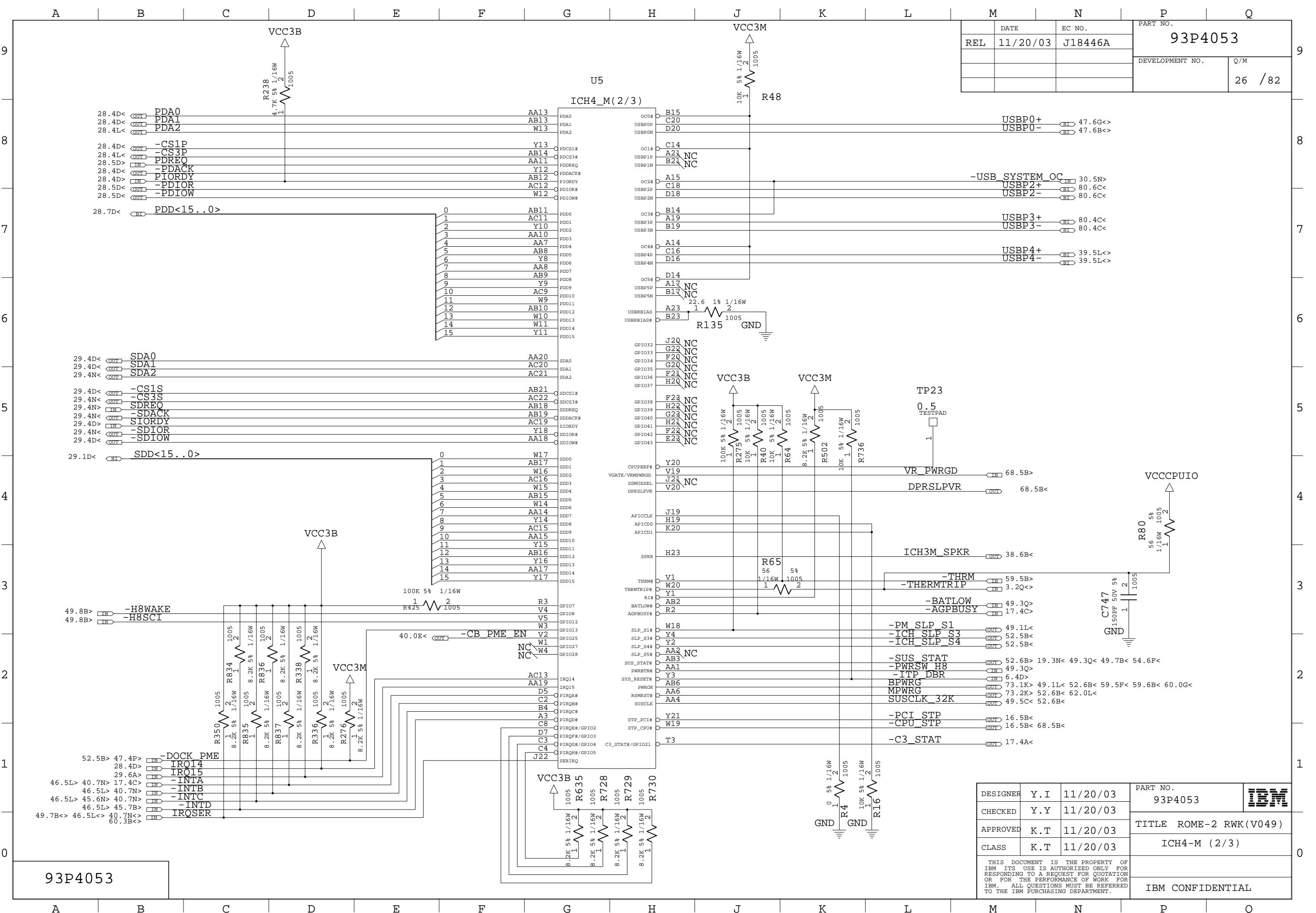
76.6B<	52.5B<	46.7L<>45.4N<>40.4C<>	-FRAME	F1	FRAME#
76.6B<	52.5B<	46.7L<>45.5C<>40.4C<>	-IRDY	L5	IRDY#
76.6B<	46.7L<>45.4N<>40.4C<>		-TRDY	F2	TRDY#
76.6B<	46.6L<>45.4N<>40.4C<>		-DEVSEL	M3	DEVSEL#
76.6B<	46.7L<>45.4N<>40.3C<>		-STOP	F3	STOP#
76.5B<	46.6L<>45.5N<>40.3C<>		-PAR	G1	PAR
76.5B<	46.5L<>45.4C<>40.3C<>		-PERR	L4	PERR#
46.6L<>45.4C<>40.3C<>			-SERR	K5	SERR#
46.6L<>40.7N<>40.7N<>			-LOCK	M2	LOCK#
77.1L>	60.4B<>54.6F>	46.6L<>45.4C<>40.7N<>	-CLKRUN	AC2	CLKRUN#/GPIO24
52.7B<	49.8B<	48.7B<	-PME	W2	PME#
76.3B<	60.4B<	60.1A<	-PCIRST	U5	PCIRST#
40.3C<			-REQ0	B1	REQ0#
76.5B>			-REQ1	A2	REQ1#
46.5F>			-REQ2	B3	REQ2#
45.6B>			-REQ3	C7	REQ3#
			-REQ4	B6	REQ4#
40.3C<			-GNT0	C1	GNT0#
76.3B<			-GNT1	E6	GNT1#
46.4F<			-GNT2	A7	GNT2#
45.6N<			-GNT3	B7	GNT3#

16.5Q>	HLCLK ICH4M 66M
16.5Q>	PCICLK FR ICH4M 33M
16.3Q>	ICH4M 14M
16.4Q>	USBCLK 48M

INTRUDER#:
TO DETECT CRYPT CHIP CHG

DESIGNER	Y.I	11/20/03	PART NO.	93P4053	
CHECKED	Y.Y	11/20/03	TITLE	ROME-2 RWK(V049)	
APPROVED	K.T	11/20/03		ICH4-M (1/3)	
CLASS	K.T	11/20/03		324PIN BGA	
THIS DOCUMENT IS THE PROPERTY OF IBM ITS USE IS AUTHORIZED ONLY FOR RESPONDING TO A REQUEST FOR QUOTATION OR FOR THE PERFORMANCE OF WORK FOR IBM. ALL QUESTIONS MUST BE REFERRED TO THE IBM PURCHASING DEPARTMENT.					IBM CONFIDENTIAL

93P4053



REL	DATE	EC NO.	PART NO.
	11/20/03	J18446A	93P4053
			DEVELOPMENT NO.
			Q/M
			26 / 82

U5 ICH4_M(2/3)

AA13	PDA0	OC0#	B15
AB13	PDA1	OC1#	C20
W13	PDA2	OC2#	D20
Y13	PDCS1#	OC3#	C14
AB14	PDCS3#	OC4#	A21
AA11	PDRREQ	OC5#	B21
Y12	PDDACK#	OC6#	NC
AB12	PIORDY	OC7#	NC
AC12	PDIOR#	OC8#	A15
W12	PDIOW#	OC9#	C18
AB11	PDD0	OC10#	D18
AC11	PDD1	OC11#	B14
Y10	PDD2	OC12#	A19
AA10	PDD3	OC13#	B19
AA7	PDD4	OC14#	A14
AB8	PDD5	OC15#	C16
Y8	PDD6	OC16#	D16
AA8	PDD7	OC17#	D14
AB9	PDD8	OC18#	A17
Y9	PDD9	OC19#	B17
AC9	PDD10	OC20#	NC
W9	PDD11	OC21#	NC
AB10	PDD12	OC22#	A23
W11	PDD13	OC23#	B23
Y11	PDD14	OC24#	NC
	PDD15	OC25#	NC

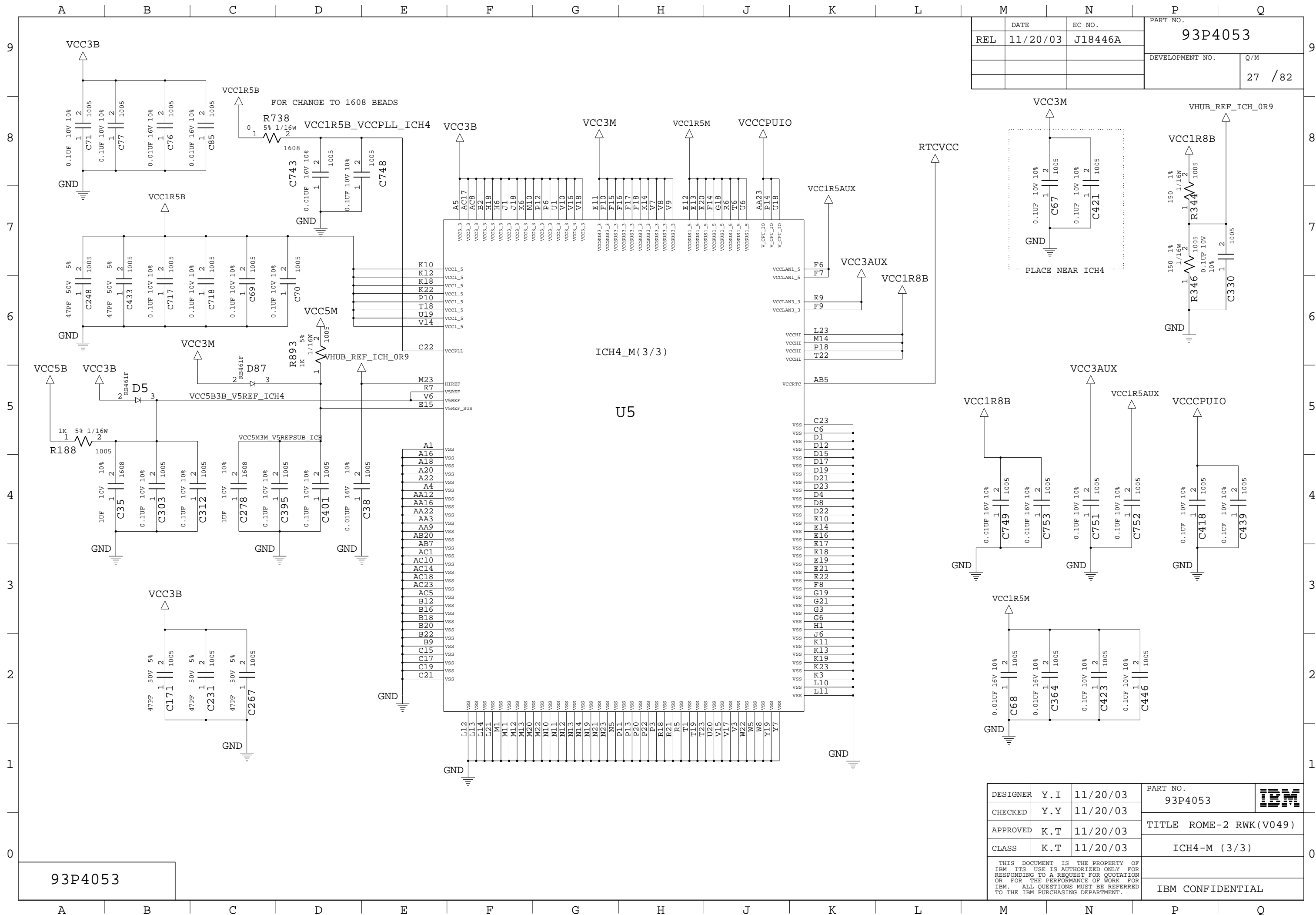
AA20	SDA0	GPIO32	J20
AC20	SDA1	GPIO33	G22
AC21	SDA2	GPIO34	F20
AB21	SDCS1#	GPIO35	G21
AC22	SDCS3#	GPIO36	F21
AB18	SDRREQ	GPIO37	H20
AB19	SDRACK#	GPIO38	F23
AC19	SIORDY	GPIO39	H22
Y18	SIORDY#	GPIO40	G23
AA18	SDIOW#	GPIO41	H21
		GPIO42	F22
		GPIO43	E23

W17	SDD0	GPIO107	W18
AB17	SDD1	GPIO108	Y4
W16	SDD2	GPIO109	Y2
AC16	SDD3	GPIO110	AA2
W15	SDD4	GPIO111	AB3
AB15	SDD5	GPIO112	AA1
W14	SDD6	GPIO113	AA1
AA14	SDD7	GPIO114	Y3
Y14	SDD8	GPIO115	AB6
AC15	SDD9	GPIO116	AA6
AA15	SDD10	GPIO117	AA4
Y15	SDD11	GPIO118	Y21
AB16	SDD12	GPIO119	W19
Y16	SDD13	GPIO120	T3
AA17	SDD14	GPIO121	
Y17	SDD15	GPIO122	

R3	GPIO17	IRQ14	AA19
V4	GPIO18	IRQ15	D5
V5	GPIO19	PIRQA#	C2
W3	GPIO20	PIRQB#	B4
W1	GPIO21	PIRQC#	A3
W2	GPIO22	PIRQD#	C8
W4	GPIO23	PIRQE#	D7
NC	GPIO24	PIRQF#	C3
NC	GPIO25	PIRQG#	C4
NC	GPIO26	PIRQH#	J22
NC	GPIO27	SRRIRQ	

DESIGNER	Y.I	11/20/03	PART NO.	93P4053	IBM
CHECKED	Y.Y	11/20/03	TITLE		
APPROVED	K.T	11/20/03		ICH4-M (2/3)	
CLASS	K.T	11/20/03			
THIS DOCUMENT IS THE PROPERTY OF IBM. ITS USE IS AUTHORIZED ONLY FOR RESPONDING TO A REQUEST FOR QUOTATION OR FOR THE PERFORMANCE OF WORK FOR IBM. ALL QUESTIONS MUST BE REFERRED TO THE IBM PURCHASING DEPARTMENT.					IBM CONFIDENTIAL

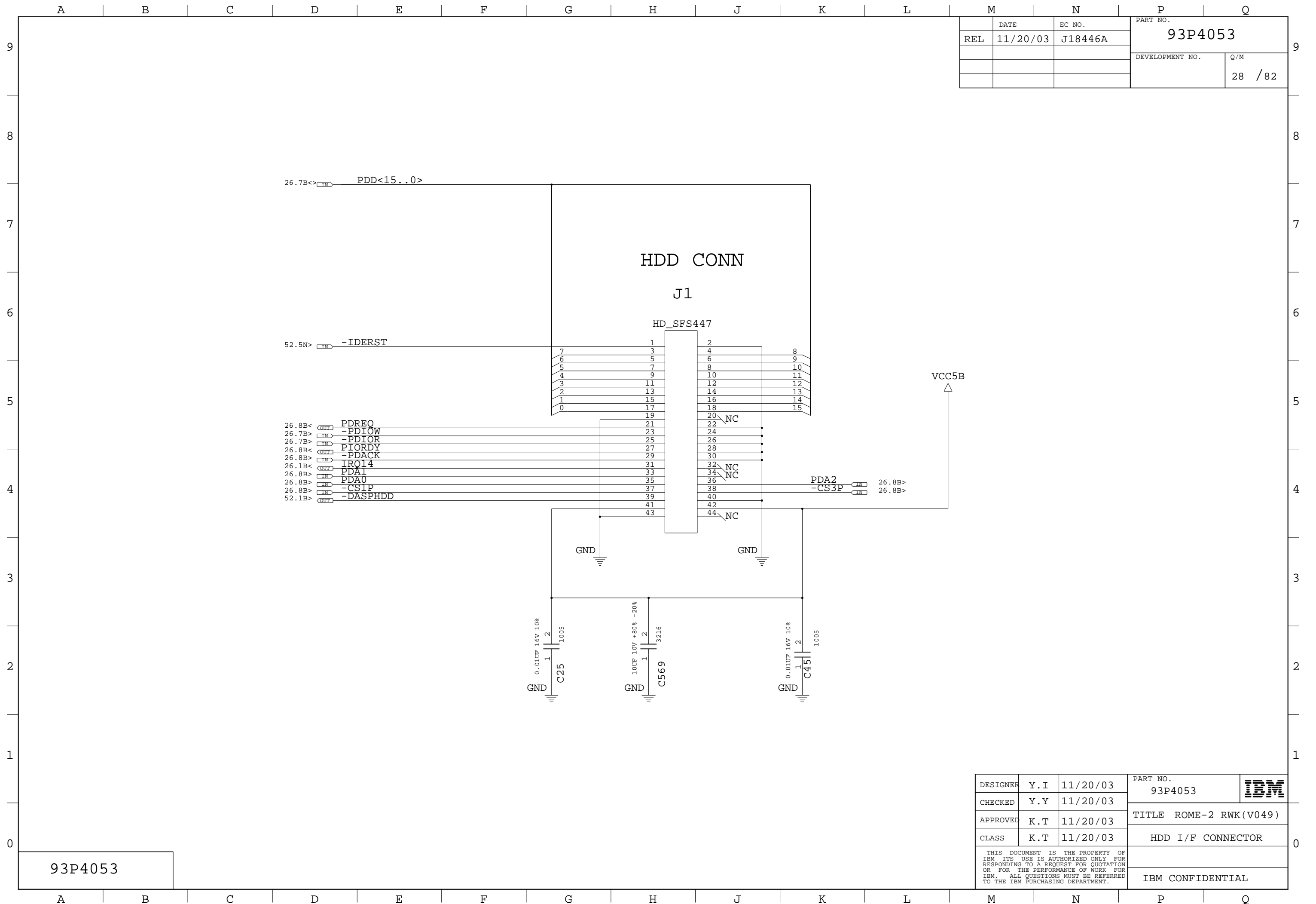
93P4053



REL	DATE	EC NO.	PART NO.
	11/20/03	J18446A	93P4053
			DEVELOPMENT NO.
			Q/M
			27 / 82

93P4053

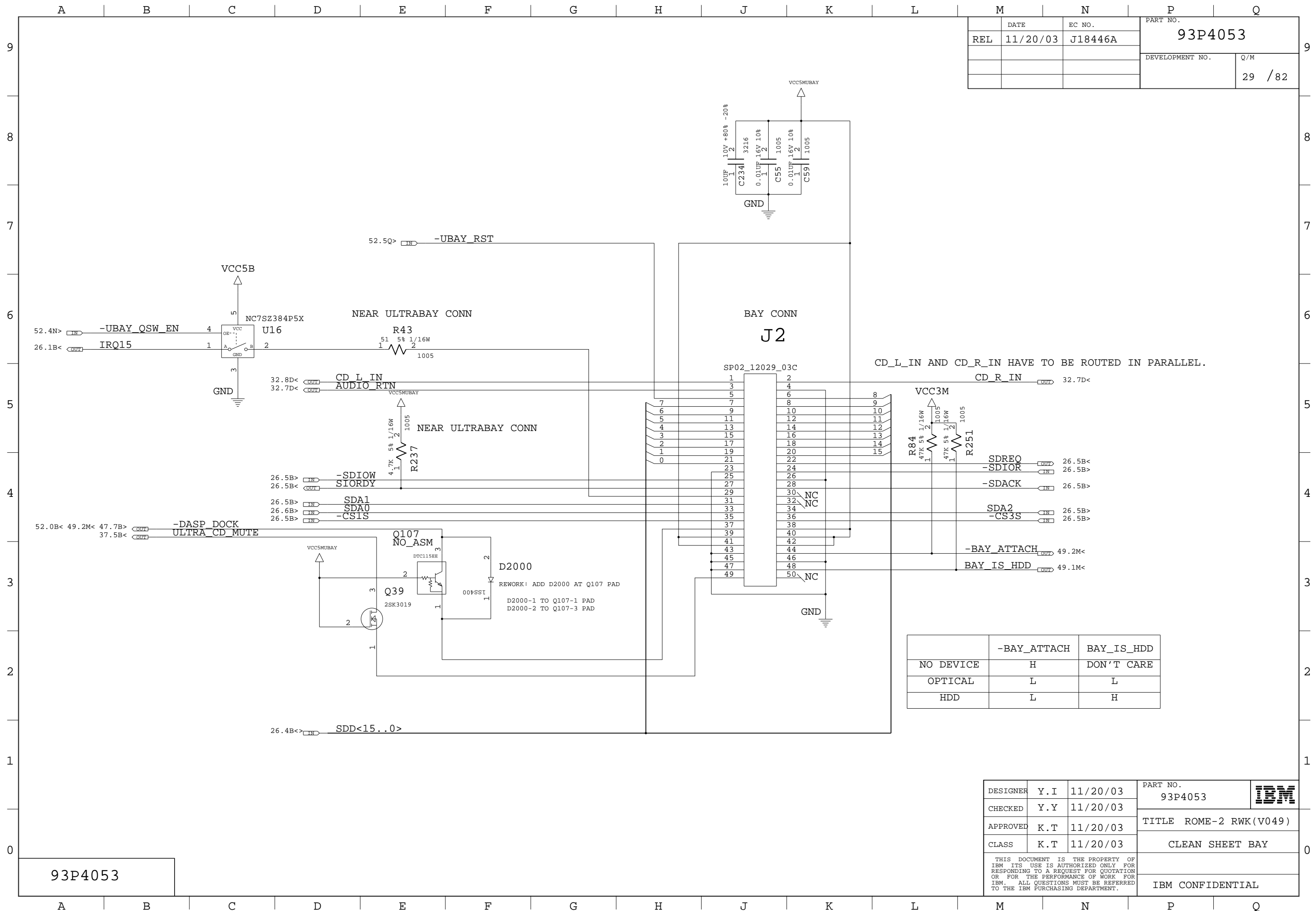
DESIGNER	Y. I	11/20/03	PART NO.	93P4053	
CHECKED	Y. Y	11/20/03	TITLE		
APPROVED	K. T	11/20/03	CLASS	ICH4-M (3/3)	
THIS DOCUMENT IS THE PROPERTY OF IBM. ITS USE IS AUTHORIZED ONLY FOR RESPONDING TO A REQUEST FOR QUOTATION OR FOR THE PERFORMANCE OF WORK FOR IBM. ALL QUESTIONS MUST BE REFERRED TO THE IBM PURCHASING DEPARTMENT.				IBM CONFIDENTIAL	



	DATE	EC NO.	PART NO.	
REL	11/20/03	J18446A	93P4053	
			DEVELOPMENT NO.	Q/M
				28 / 82

93P4053

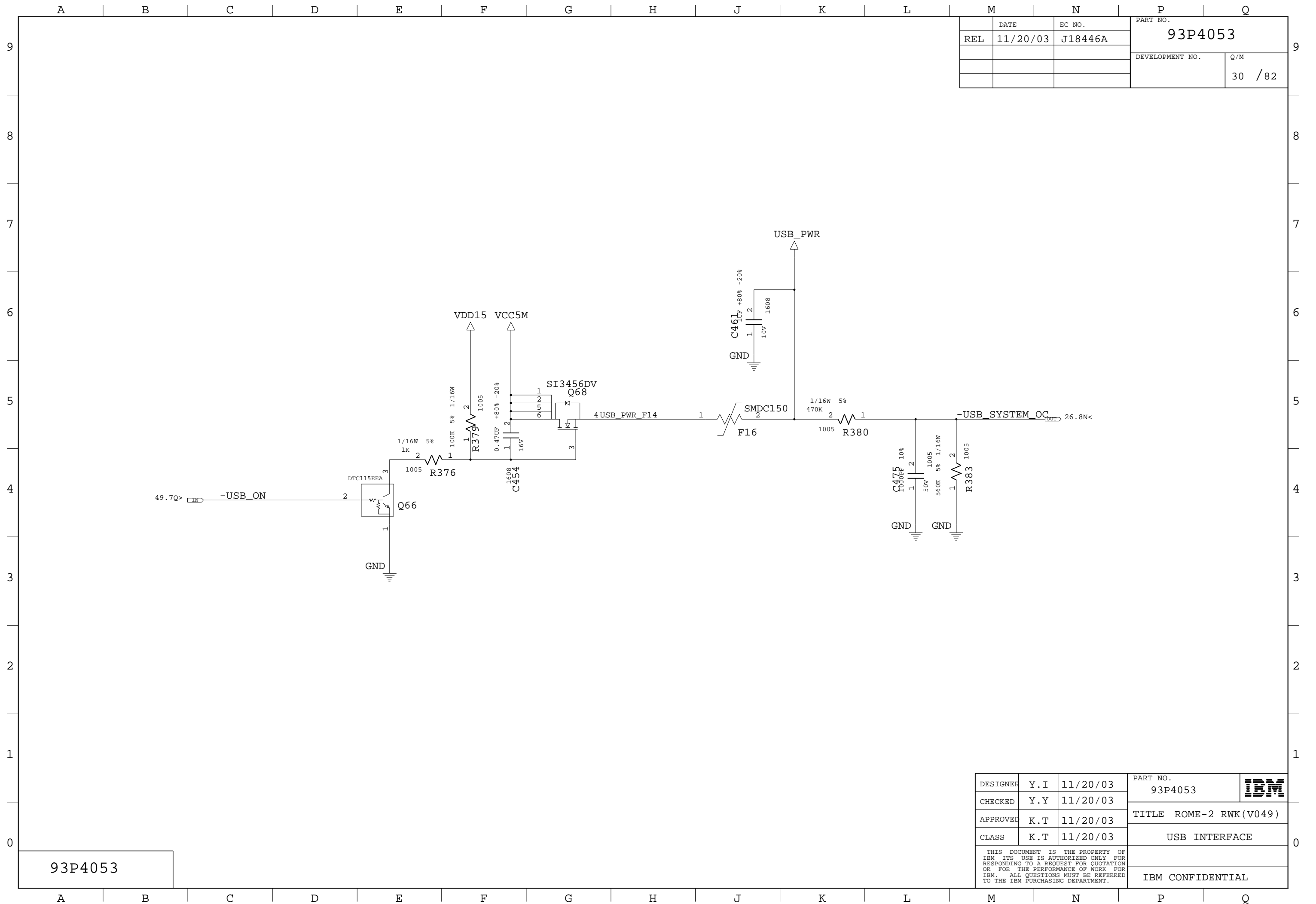
DESIGNER	Y. I	11/20/03	PART NO.	93P4053	
CHECKED	Y. Y	11/20/03	TITLE		
APPROVED	K. T	11/20/03	CLASS	HDD I/F CONNECTOR	
THIS DOCUMENT IS THE PROPERTY OF IBM. ITS USE IS AUTHORIZED ONLY FOR RESPONDING TO A REQUEST FOR QUOTATION OR FOR THE PERFORMANCE OF WORK FOR IBM. ALL QUESTIONS MUST BE REFERRED TO THE IBM PURCHASING DEPARTMENT.					IBM CONFIDENTIAL



REL	DATE	EC NO.	PART NO.
	11/20/03	J18446A	93P4053
			DEVELOPMENT NO.
			Q/M
			29 /82

93P4053

DESIGNER	Y.I	11/20/03	PART NO.	93P4053	IBM
CHECKED	Y.Y	11/20/03			
APPROVED	K.T	11/20/03	TITLE ROME-2 RWK(V049)		
CLASS	K.T	11/20/03	CLEAN SHEET BAY		
THIS DOCUMENT IS THE PROPERTY OF IBM ITS USE IS AUTHORIZED ONLY FOR RESPONDING TO A REQUEST FOR QUOTATION OR FOR THE PERFORMANCE OF WORK FOR IBM. ALL QUESTIONS MUST BE REFERRED TO THE IBM PURCHASING DEPARTMENT.					IBM CONFIDENTIAL

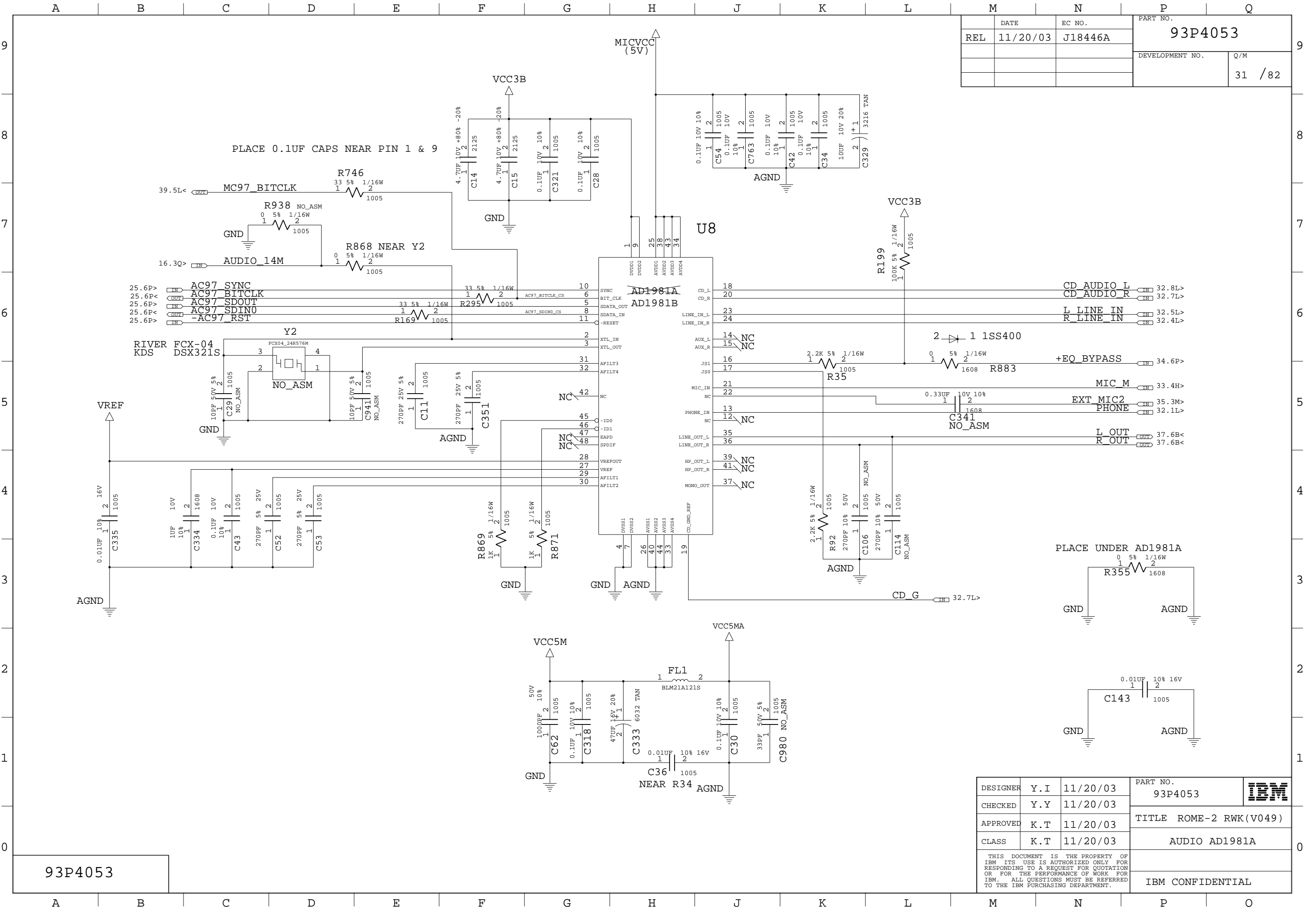


	DATE	EC NO.	PART NO.	
REL	11/20/03	J18446A	93P4053	
			DEVELOPMENT NO.	Q/M
				30 / 82

93P4053

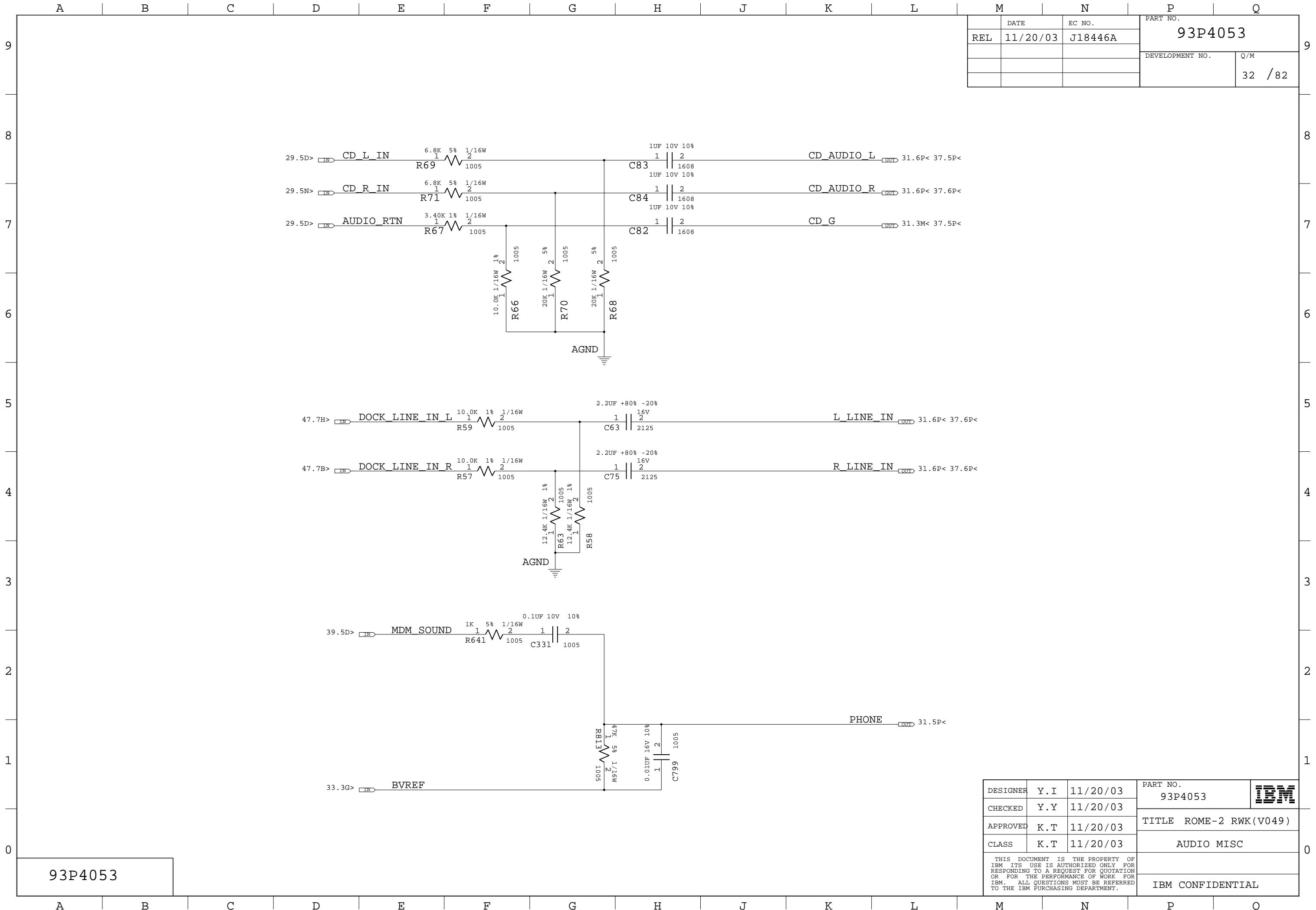
DESIGNER	Y. I	11/20/03	PART NO.	93P4053	IBM
CHECKED	Y. Y	11/20/03			
APPROVED	K. T	11/20/03	TITLE ROME-2 RWK(V049)		
CLASS	K. T	11/20/03	USB INTERFACE		
THIS DOCUMENT IS THE PROPERTY OF IBM. ITS USE IS AUTHORIZED ONLY FOR RESPONDING TO A REQUEST FOR QUOTATION OR FOR THE PERFORMANCE OF WORK FOR IBM. ALL QUESTIONS MUST BE REFERRED TO THE IBM PURCHASING DEPARTMENT.				IBM CONFIDENTIAL	

REL	DATE	EC NO.	PART NO.
	11/20/03	J18446A	93P4053
			DEVELOPMENT NO.
			Q/M
			31 / 82



93P4053

DESIGNER	Y. I	11/20/03	PART NO.	93P4053	
CHECKED	Y. Y	11/20/03			
APPROVED	K. T	11/20/03	TITLE ROME-2 RWK (V049)		
CLASS	K. T	11/20/03	AUDIO AD1981A		
THIS DOCUMENT IS THE PROPERTY OF IBM ITS USE IS AUTHORIZED ONLY FOR RESPONDING TO A REQUEST FOR QUOTATION OR FOR THE PERFORMANCE OF WORK FOR IBM. ALL QUESTIONS MUST BE REFERRED TO THE IBM PURCHASING DEPARTMENT.					IBM CONFIDENTIAL

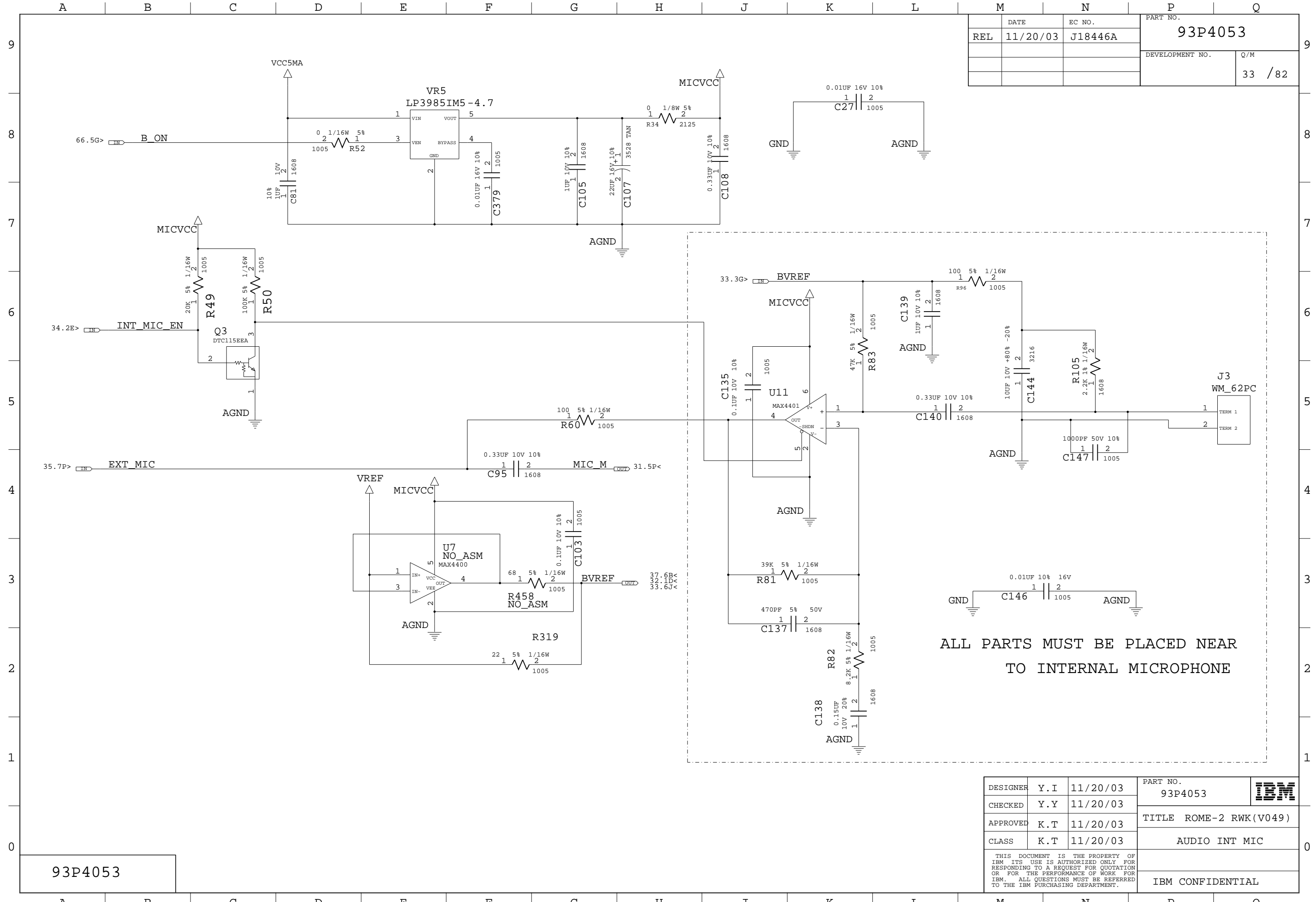


	DATE	EC NO.	PART NO.	
REL	11/20/03	J18446A	93P4053	
			DEVELOPMENT NO.	Q/M
				32 / 82

93P4053

DESIGNER	Y. I	11/20/03	PART NO.	93P4053	
CHECKED	Y. Y	11/20/03	TITLE		
APPROVED	K. T	11/20/03	CLASS	AUDIO MISC	
THIS DOCUMENT IS THE PROPERTY OF IBM ITS USE IS AUTHORIZED ONLY FOR RESPONDING TO A REQUEST FOR QUOTATION OR FOR THE PERFORMANCE OF WORK FOR IBM. ALL QUESTIONS MUST BE REFERRED TO THE IBM PURCHASING DEPARTMENT.					IBM CONFIDENTIAL

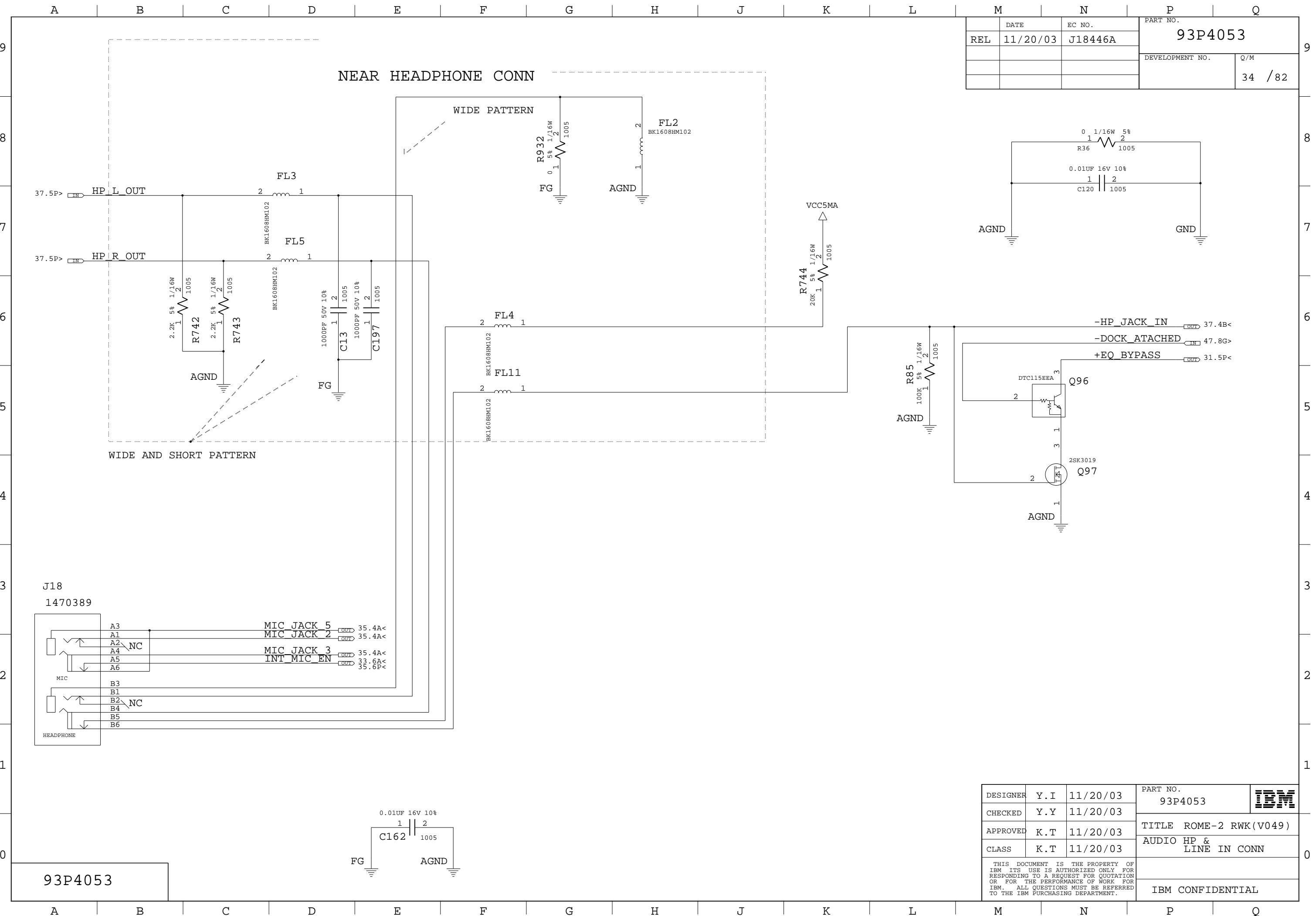
DATE	11/20/03	EC NO.	J18446A	PART NO.	93P4053
REL				DEVELOPMENT NO.	Q/M
					33 / 82



ALL PARTS MUST BE PLACED NEAR
TO INTERNAL MICROPHONE

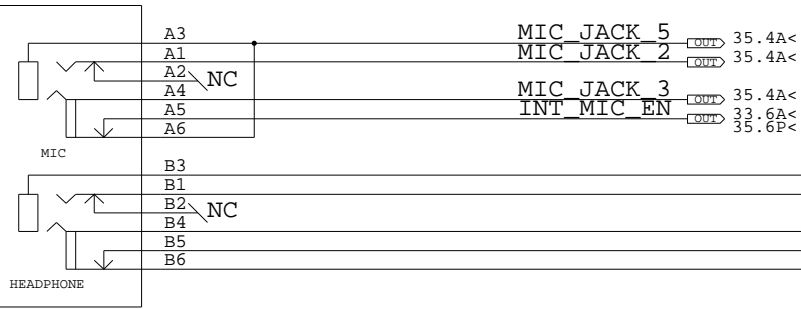
93P4053

DESIGNER	Y.I	11/20/03	PART NO.	93P4053	IBM
CHECKED	Y.Y	11/20/03	TITLE	ROME-2 RWK(V049)	
APPROVED	K.T	11/20/03	CLASS	AUDIO INT MIC	
THIS DOCUMENT IS THE PROPERTY OF IBM ITS USE IS AUTHORIZED ONLY FOR RESPONDING TO A REQUEST FOR QUOTATION OR FOR THE PERFORMANCE OF WORK FOR IBM. ALL QUESTIONS MUST BE REFERRED TO THE IBM PURCHASING DEPARTMENT.				IBM CONFIDENTIAL	



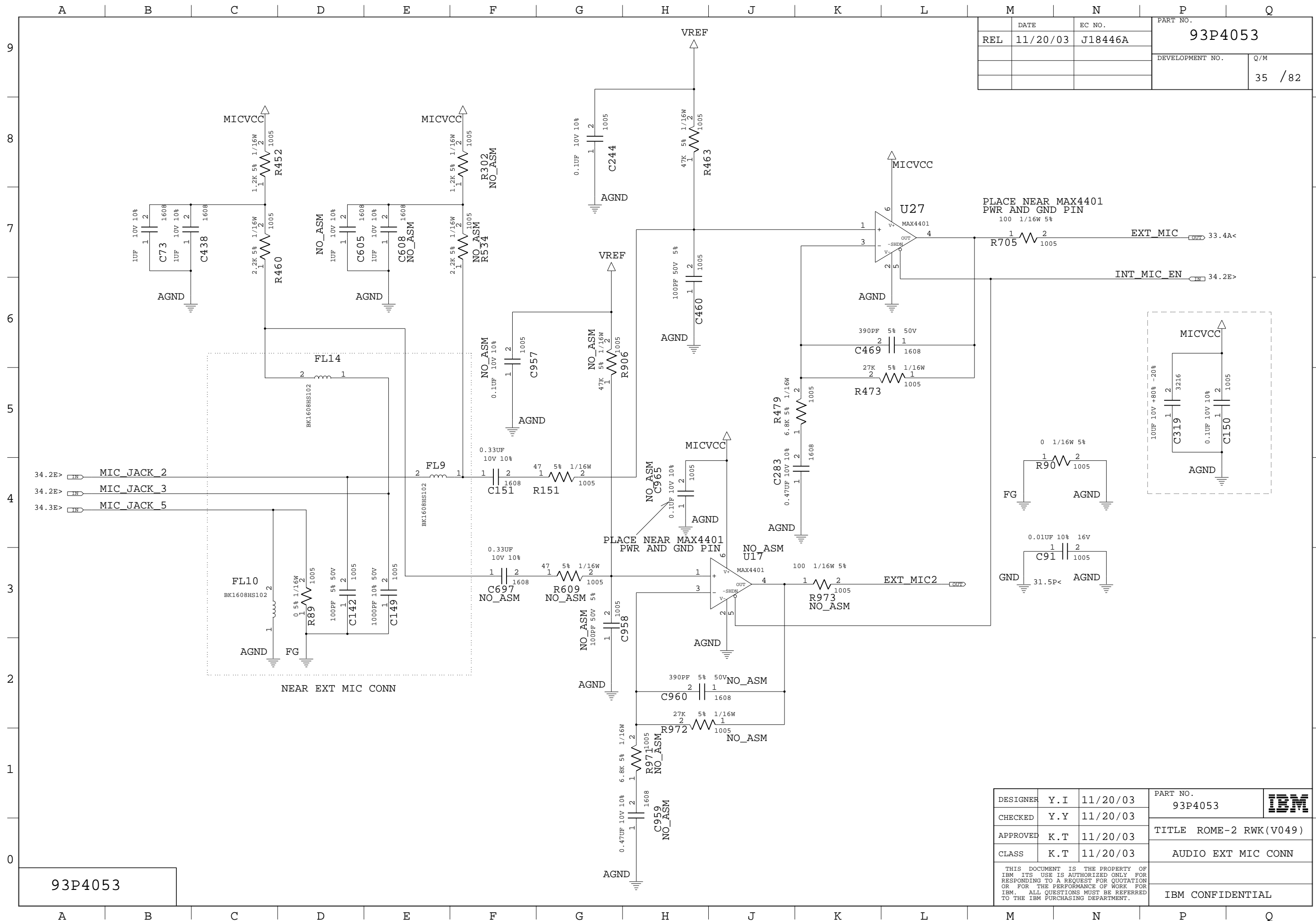
	DATE	EC NO.	PART NO.	
REL	11/20/03	J18446A	93P4053	
			DEVELOPMENT NO.	Q/M
				34 / 82

J18
1470389



93P4053

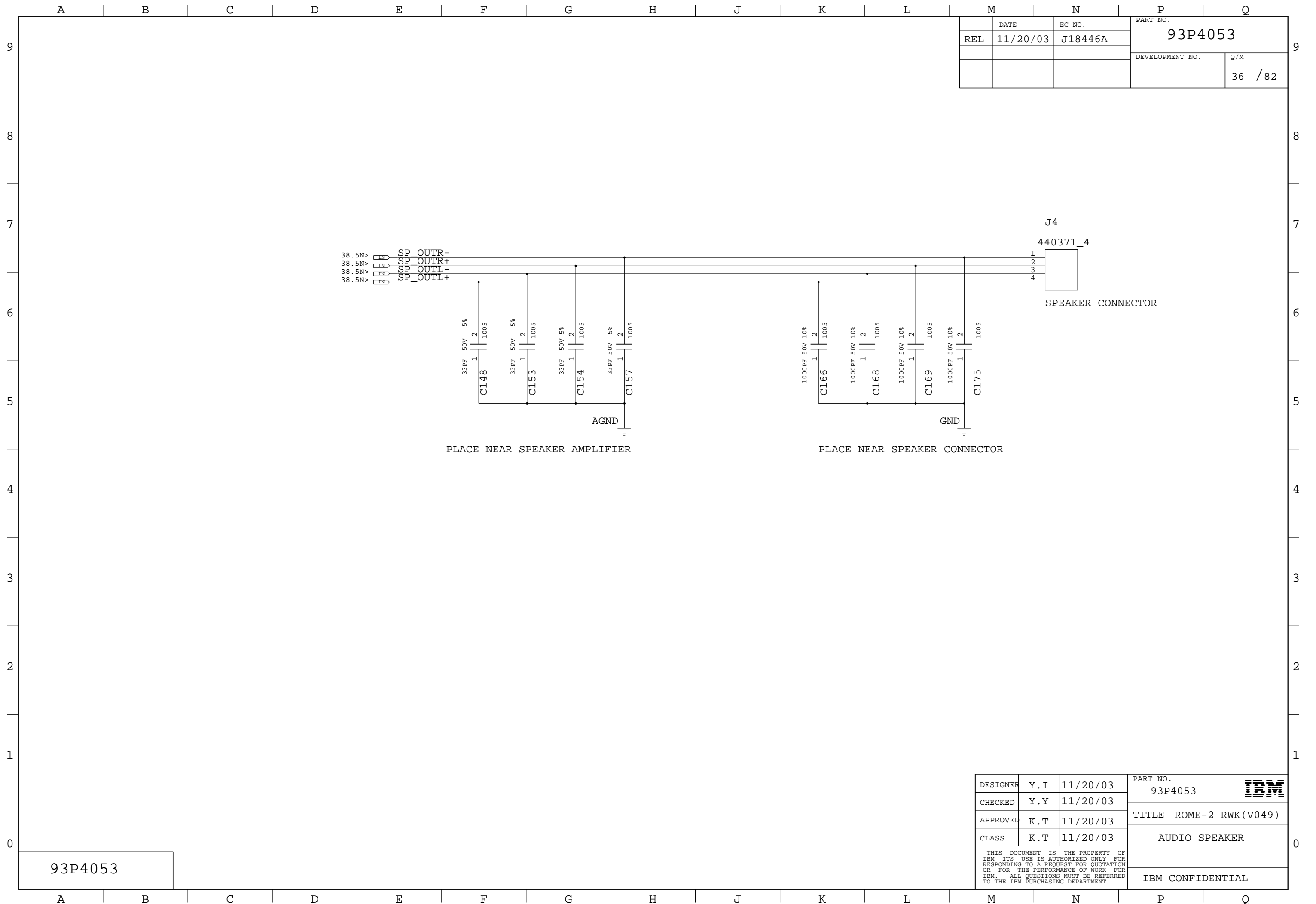
DESIGNER	Y. I	11/20/03	PART NO.	93P4053	
CHECKED	Y. Y	11/20/03	TITLE		
APPROVED	K. T	11/20/03	CLASS	AUDIO HP & LINE IN CONN	
					THIS DOCUMENT IS THE PROPERTY OF IBM ITS USE IS AUTHORIZED ONLY FOR RESPONDING TO A REQUEST FOR QUOTATION OR FOR THE PERFORMANCE OF WORK FOR IBM. ALL QUESTIONS MUST BE REFERRED TO THE IBM PURCHASING DEPARTMENT.
					IBM CONFIDENTIAL



REL	DATE	EC NO.	PART NO.	
	11/20/03	J18446A	93P4053	
			DEVELOPMENT NO.	Q/M
				35 / 82

93P4053

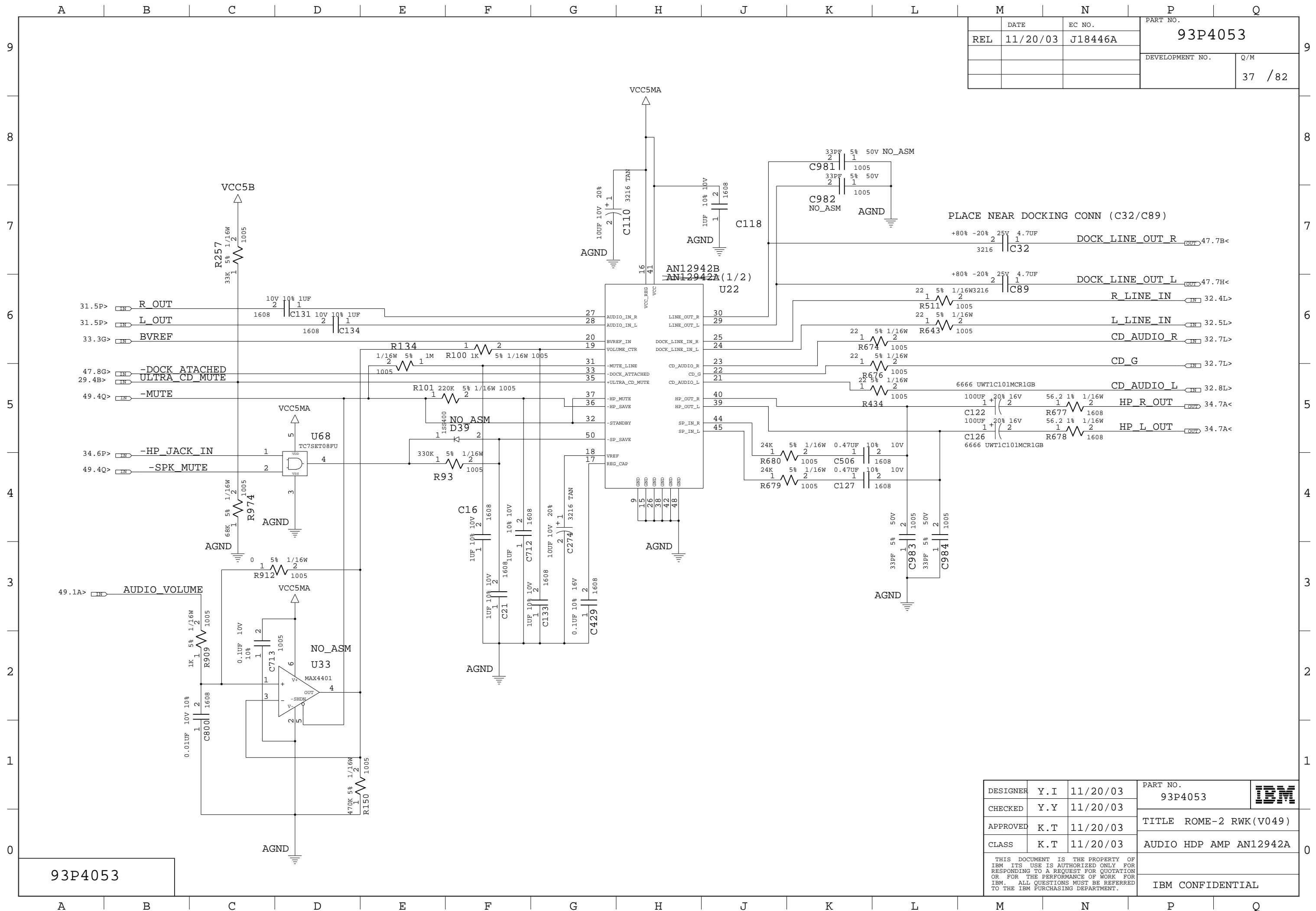
DESIGNER	Y.I	11/20/03	PART NO.	93P4053	
CHECKED	Y.Y	11/20/03	TITLE		
APPROVED	K.T	11/20/03	CLASS	AUDIO EXT MIC CONN	
					THIS DOCUMENT IS THE PROPERTY OF IBM. ITS USE IS AUTHORIZED ONLY FOR RESPONDING TO A REQUEST FOR QUOTATION OR FOR THE PERFORMANCE OF WORK FOR IBM. ALL QUESTIONS MUST BE REFERRED TO THE IBM PURCHASING DEPARTMENT.
					IBM CONFIDENTIAL



	DATE	EC NO.	PART NO.	
REL	11/20/03	J18446A	93P4053	
			DEVELOPMENT NO.	Q/M
				36 / 82

93P4053

DESIGNER	Y. I	11/20/03	PART NO.	93P4053	IBM
CHECKED	Y. Y	11/20/03			
APPROVED	K. T	11/20/03	TITLE ROME-2 RWK(V049)		
CLASS	K. T	11/20/03	AUDIO SPEAKER		
THIS DOCUMENT IS THE PROPERTY OF IBM ITS USE IS AUTHORIZED ONLY FOR RESPONDING TO A REQUEST FOR QUOTATION OR FOR THE PERFORMANCE OF WORK FOR IBM. ALL QUESTIONS MUST BE REFERRED TO THE IBM PURCHASING DEPARTMENT.				IBM CONFIDENTIAL	

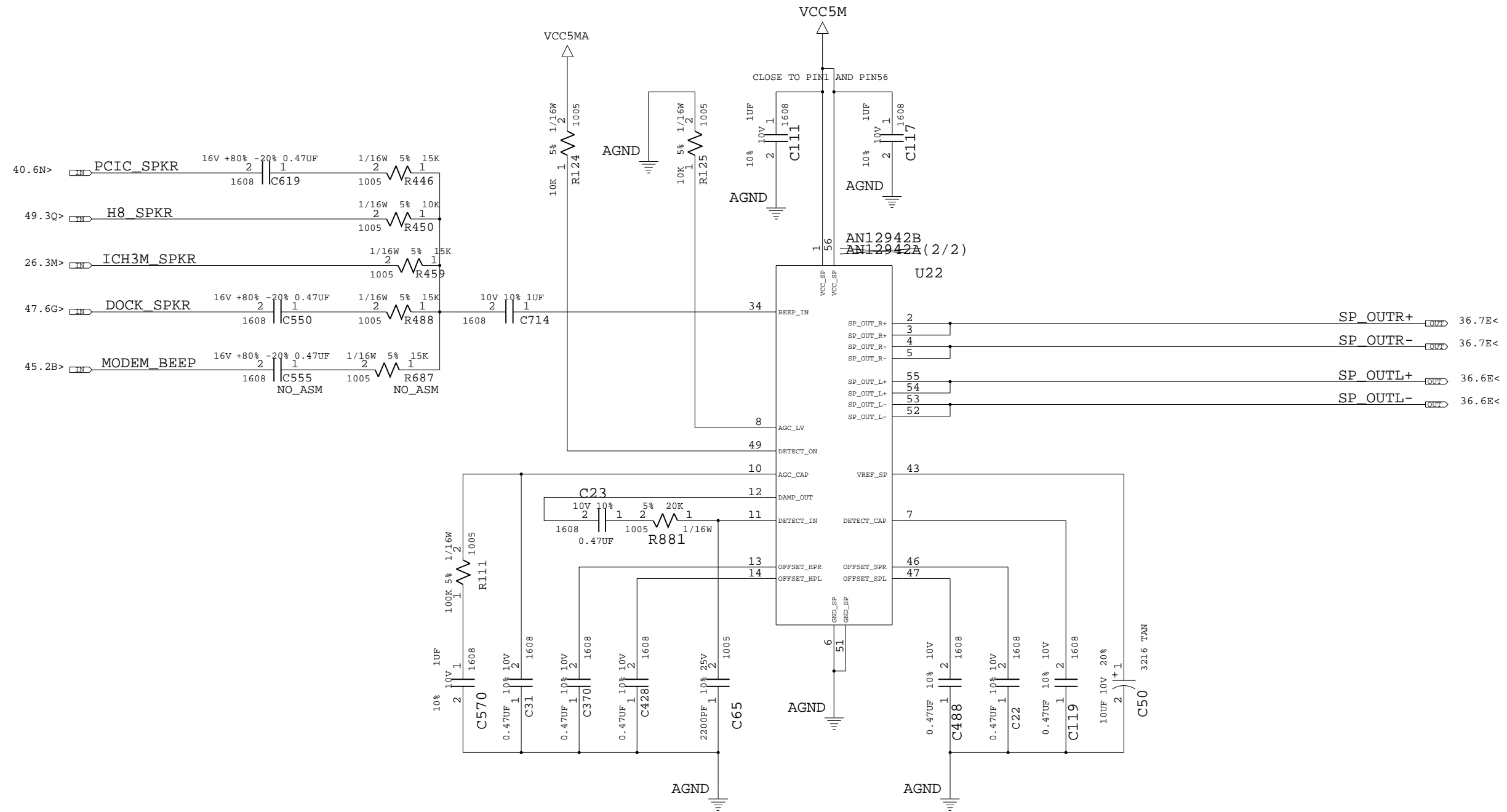


REL	DATE	EC NO.	PART NO.	
	11/20/03	J18446A	93P4053	
			DEVELOPMENT NO.	Q/M
				37 / 82

93P4053

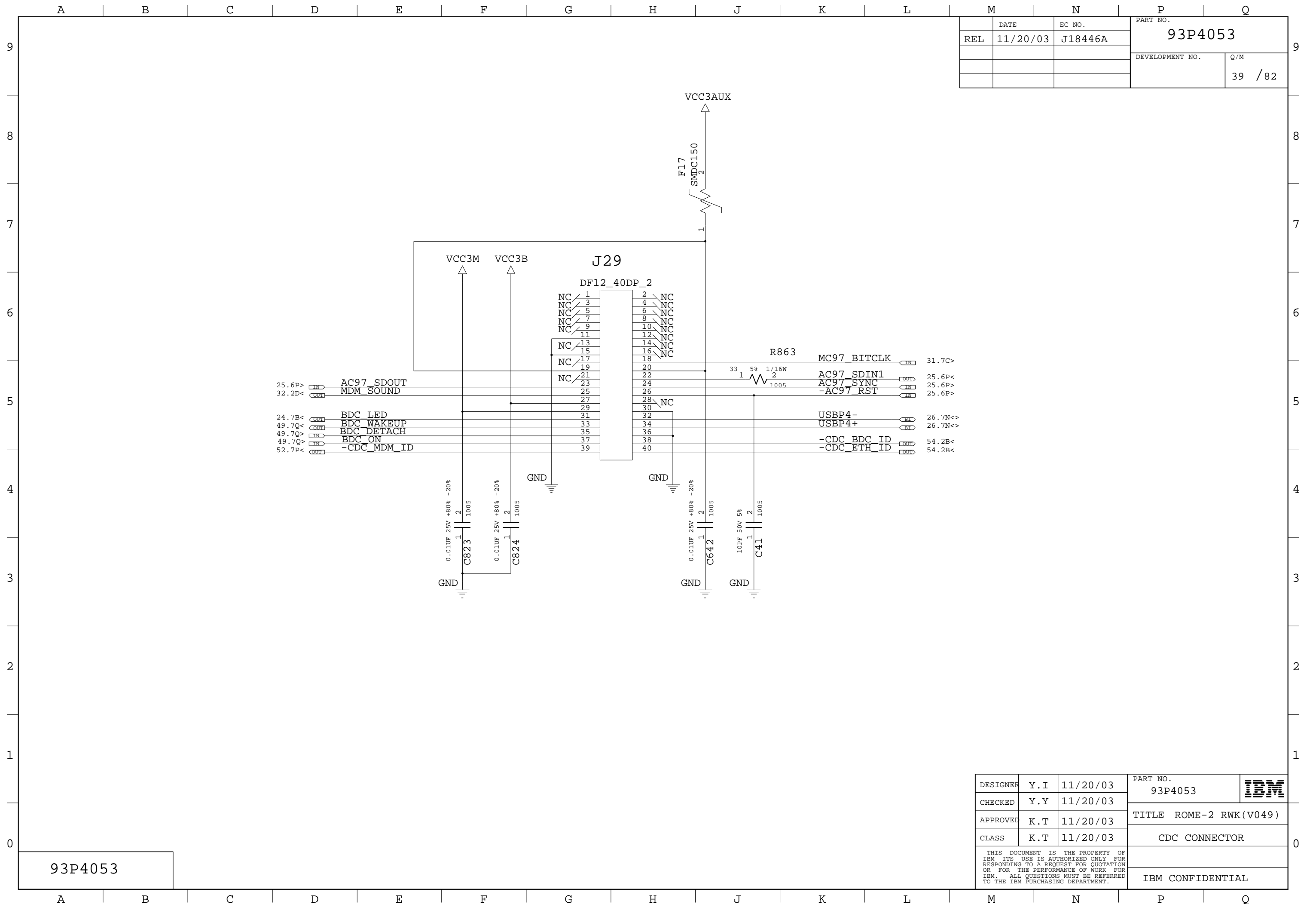
DESIGNER	Y.I	11/20/03	PART NO.	93P4053	
CHECKED	Y.Y	11/20/03	TITLE		
APPROVED	K.T	11/20/03	CLASS	AUDIO HDP AMP AN12942A	
THIS DOCUMENT IS THE PROPERTY OF IBM ITS USE IS AUTHORIZED ONLY FOR RESPONDING TO A REQUEST FOR QUOTATION OR FOR THE PERFORMANCE OF WORK FOR IBM. ALL QUESTIONS MUST BE REFERRED TO THE IBM PURCHASING DEPARTMENT.				IBM CONFIDENTIAL	

	DATE	EC NO.	PART NO.	
REL	11/20/03	J18446A	93P4053	
			DEVELOPMENT NO.	Q/M
				38 / 82



93P4053

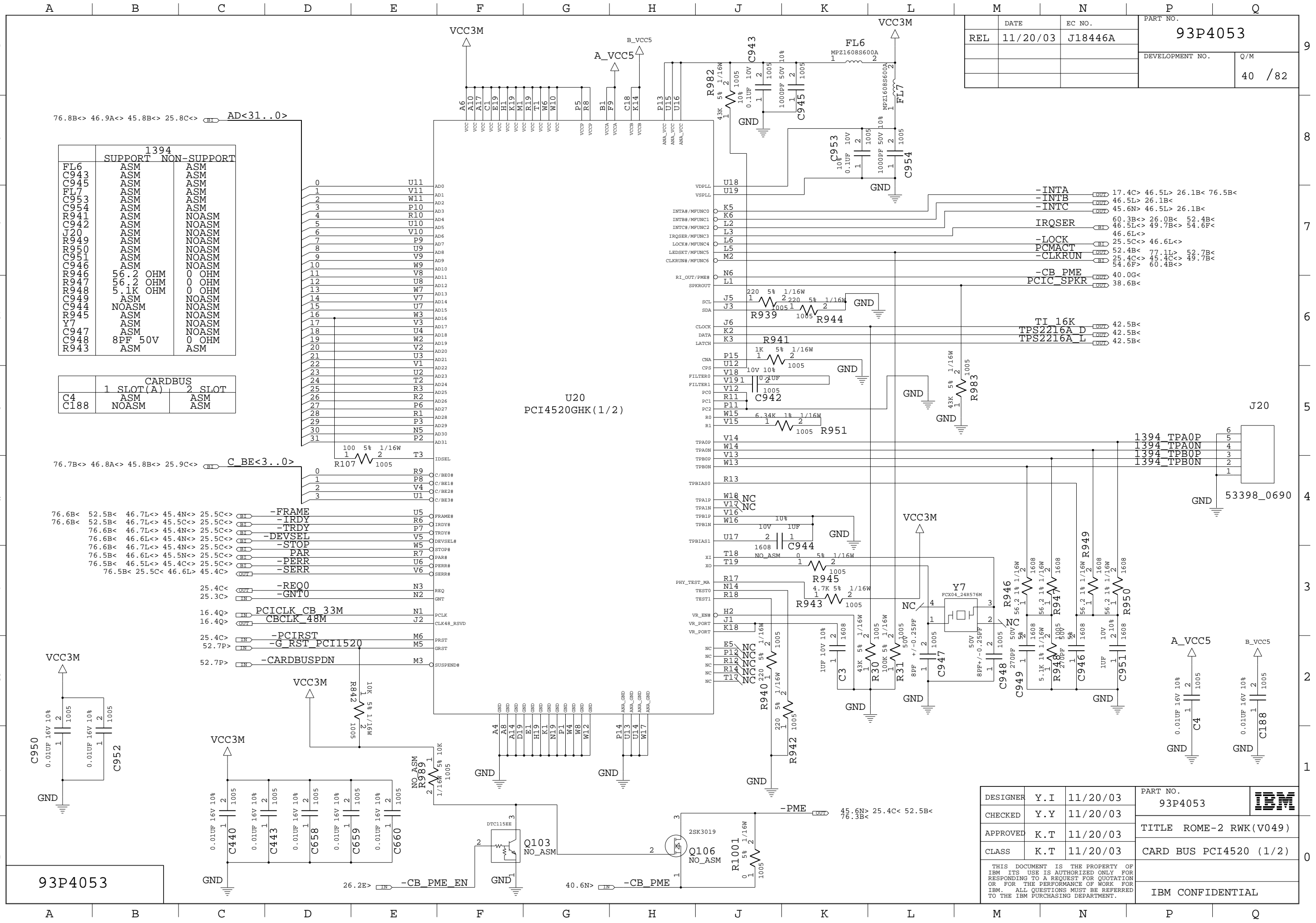
DESIGNER	Y.I	11/20/03	PART NO.	93P4053	IBM
CHECKED	Y.Y	11/20/03	TITLE		
APPROVED	K.T	11/20/03	CLASS	AUDIO HDP AMP AN12942A	
THIS DOCUMENT IS THE PROPERTY OF IBM ITS USE IS AUTHORIZED ONLY FOR RESPONDING TO A REQUEST FOR QUOTATION OR FOR THE PERFORMANCE OF WORK FOR IBM. ALL QUESTIONS MUST BE REFERRED TO THE IBM PURCHASING DEPARTMENT.				IBM CONFIDENTIAL	



	DATE	EC NO.	PART NO.	
REL	11/20/03	J18446A	93P4053	
			DEVELOPMENT NO.	Q/M
				39 / 82

93P4053

DESIGNER	Y. I	11/20/03	PART NO.	93P4053	
CHECKED	Y. Y	11/20/03			
APPROVED	K. T	11/20/03	TITLE ROME-2 RWK(V049)		
CLASS	K. T	11/20/03	CDC CONNECTOR		
THIS DOCUMENT IS THE PROPERTY OF IBM. ITS USE IS AUTHORIZED ONLY FOR RESPONDING TO A REQUEST FOR QUOTATION OR FOR THE PERFORMANCE OF WORK FOR IBM. ALL QUESTIONS MUST BE REFERRED TO THE IBM PURCHASING DEPARTMENT.					IBM CONFIDENTIAL



REL	DATE	EC NO.	PART NO.
	11/20/03	J18446A	93P4053
			DEVELOPMENT NO.
			Q/M
			40 / 82

1394		SUPPORT		NON-SUPPORT	
FL6	ASM	ASM	ASM	ASM	ASM
C943	ASM	ASM	ASM	ASM	ASM
C944	ASM	ASM	ASM	ASM	ASM
FL7	ASM	ASM	ASM	ASM	ASM
C953	ASM	ASM	ASM	ASM	ASM
C954	ASM	ASM	ASM	ASM	ASM
R941	ASM	NOASM	NOASM	NOASM	NOASM
C942	ASM	NOASM	NOASM	NOASM	NOASM
J20	ASM	NOASM	NOASM	NOASM	NOASM
R949	ASM	NOASM	NOASM	NOASM	NOASM
R950	ASM	NOASM	NOASM	NOASM	NOASM
C951	ASM	NOASM	NOASM	NOASM	NOASM
C952	ASM	NOASM	NOASM	NOASM	NOASM
R946	56.2 OHM	0 OHM	0 OHM	0 OHM	0 OHM
R947	56.2 OHM	0 OHM	0 OHM	0 OHM	0 OHM
R948	5.1K OHM	0 OHM	0 OHM	0 OHM	0 OHM
C949	ASM	NOASM	NOASM	NOASM	NOASM
C945	NOASM	NOASM	NOASM	NOASM	NOASM
Y7	ASM	NOASM	NOASM	NOASM	NOASM
C947	ASM	NOASM	NOASM	NOASM	NOASM
C948	8PF 50V	0 OHM	0 OHM	0 OHM	0 OHM
R943	ASM	ASM	ASM	ASM	ASM

CARDBUS		1 SLOT (A)		2 SLOT	
C4	ASM	ASM	ASM	ASM	ASM
C188	NOASM	NOASM	NOASM	NOASM	NOASM

76.7B<> 46.8A<> 45.8B<> 25.9C<>		C BE<3..0>	
76.6B<	52.5B<	46.7L<>	45.4N<>
76.6B<	52.5B<	46.7L<>	45.5C<>
76.6B<	46.7L<>	45.4N<>	25.5C<>
76.6B<	46.6L<>	45.4N<>	25.5C<>
76.6B<	46.7L<>	45.4N<>	25.5C<>
76.5B<	46.6L<>	45.5N<>	25.5C<>
76.5B<	46.5L<>	45.4C<>	25.5C<>
76.5B<	25.5C<>	46.6L<>	45.4C<>

76.8B<> 46.9A<> 45.8B<> 25.8C<>		AD<31..0>	
76.6B<	52.5B<	46.7L<>	45.4N<>
76.6B<	52.5B<	46.7L<>	45.5C<>
76.6B<	46.7L<>	45.4N<>	25.5C<>
76.6B<	46.6L<>	45.4N<>	25.5C<>
76.6B<	46.7L<>	45.4N<>	25.5C<>
76.5B<	46.6L<>	45.5N<>	25.5C<>
76.5B<	46.5L<>	45.4C<>	25.5C<>
76.5B<	25.5C<>	46.6L<>	45.4C<>

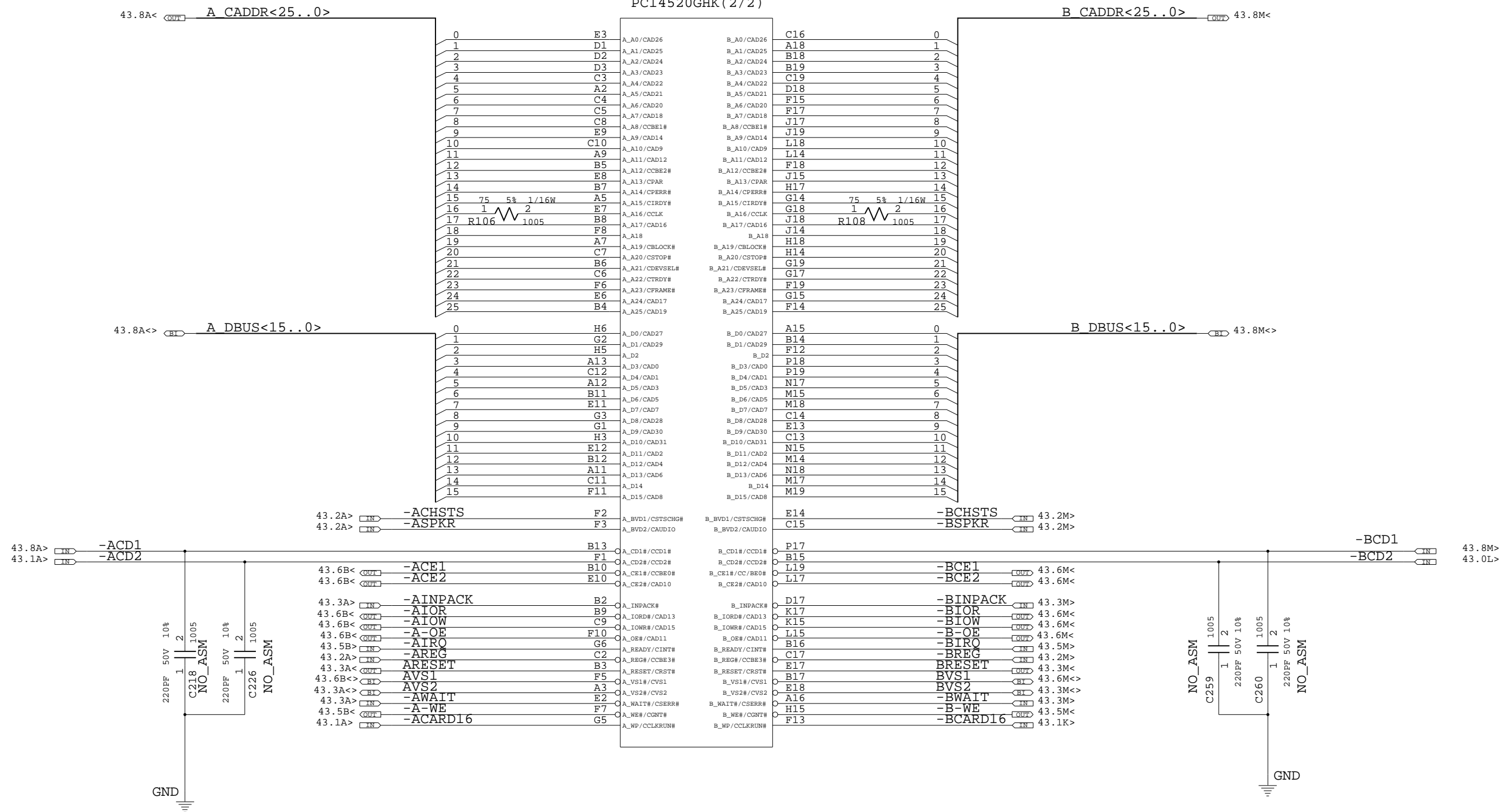
DESIGNER	Y.I	11/20/03	PART NO.	93P4053	
CHECKED	Y.Y	11/20/03	TITLE ROME-2 RWK(V049)		
APPROVED	K.T	11/20/03	CARD BUS PCI4520 (1/2)		
CLASS	K.T	11/20/03	IBM CONFIDENTIAL		

THIS DOCUMENT IS THE PROPERTY OF IBM. ITS USE IS AUTHORIZED ONLY FOR RESPONDING TO A REQUEST FOR QUOTATION OR FOR THE PERFORMANCE OF WORK FOR IBM. ALL QUESTIONS MUST BE REFERRED TO THE IBM PURCHASING DEPARTMENT.

REL	DATE	EC NO.	PART NO.
	11/20/03	J18446A	93P4053
			DEVELOPMENT NO.
			Q/M
			41 / 82

U20

PCI4520GHK (2/2)

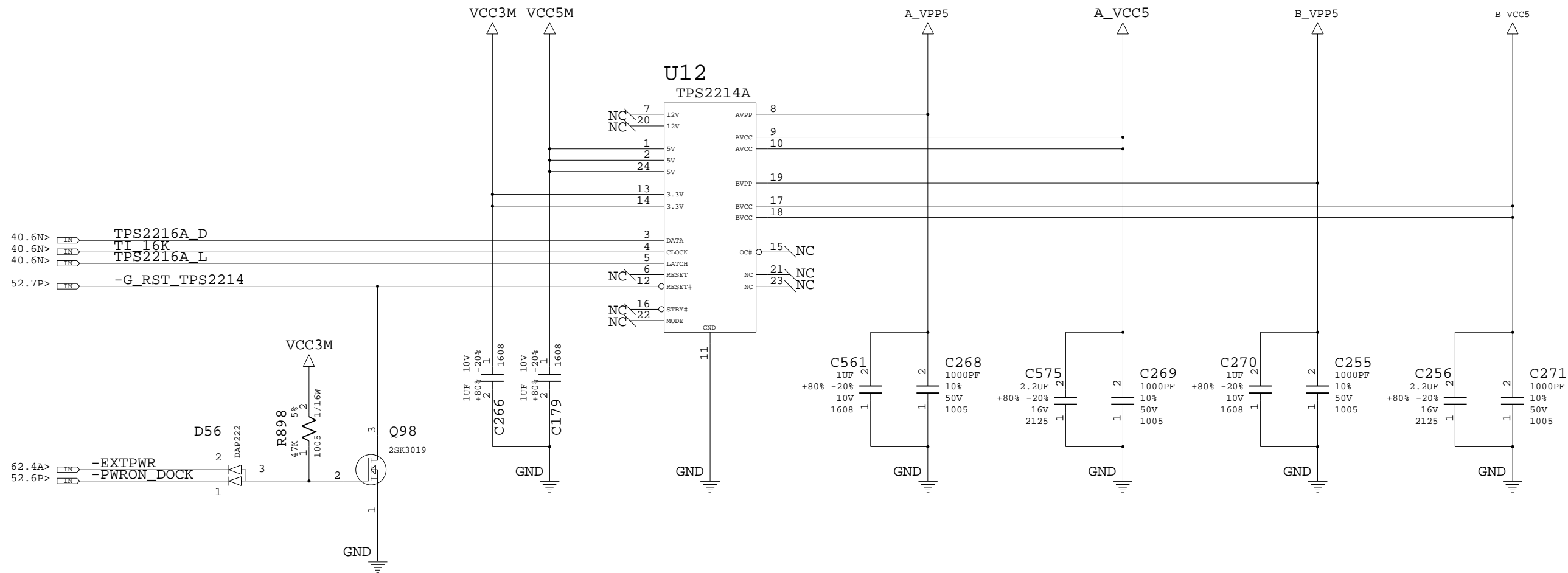


	CARDBUS	
	1 SLOT	2 SLOTS
R106	ASM	ASM
C218	NOASM	NOASM
C226	NOASM	NOASM
R108	NOASM	ASM
C259	NOASM	NOASM
C260	NOASM	NOASM

93P4053

DESIGNER	Y.I	11/20/03	PART NO.	93P4053	
CHECKED	Y.Y	11/20/03			
APPROVED	K.T	11/20/03	TITLE ROME-2 RWK(V049)		
CLASS	K.T	11/20/03	CARD BUS PCI4520 (2/2)		
THIS DOCUMENT IS THE PROPERTY OF IBM ITS USE IS AUTHORIZED ONLY FOR RESPONDING TO A REQUEST FOR QUOTATION OR FOR THE PERFORMANCE OF WORK FOR IBM. ALL QUESTIONS MUST BE REFERRED TO THE IBM PURCHASING DEPARTMENT.					IBM CONFIDENTIAL

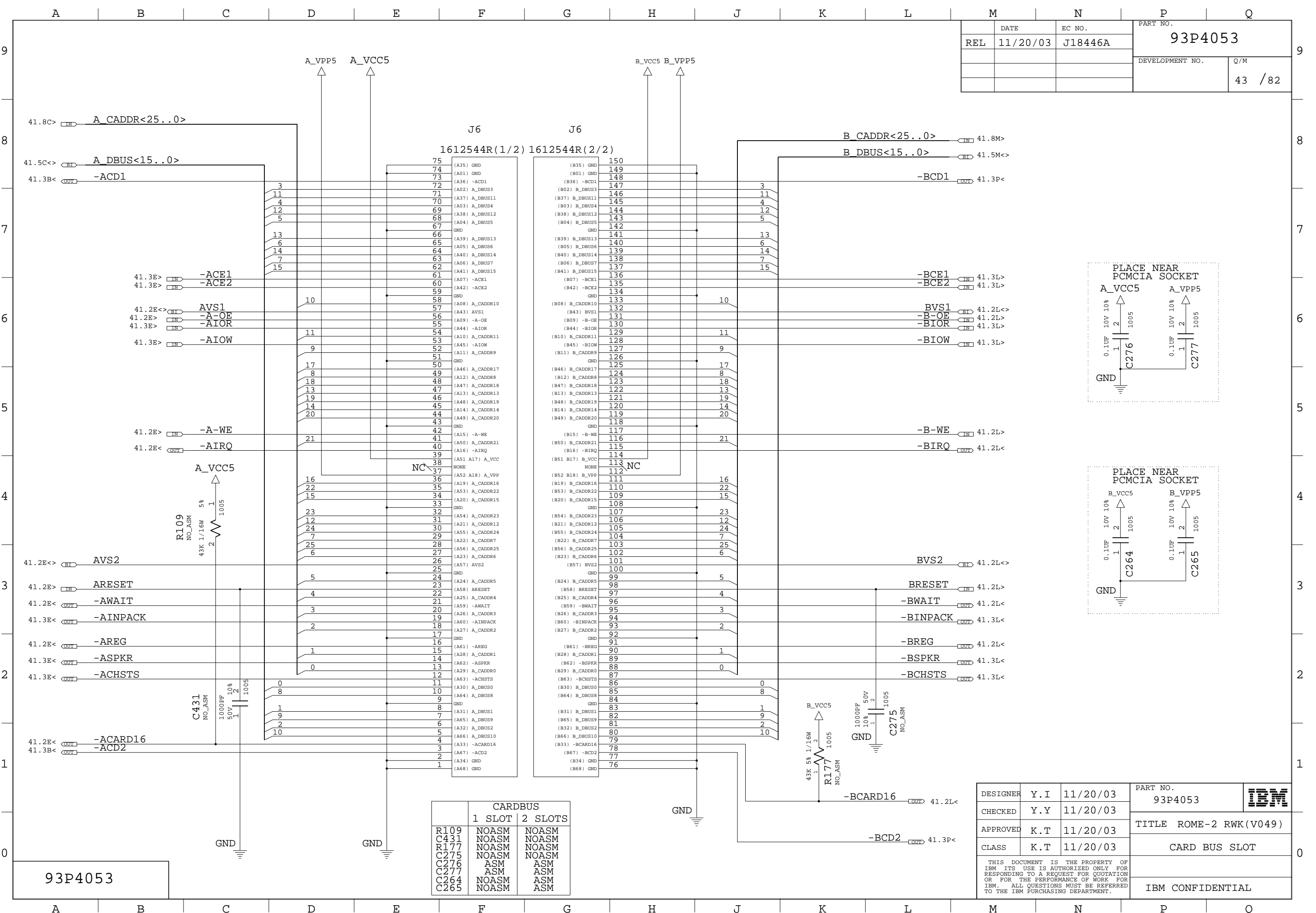
	DATE	EC NO.	PART NO.	
REL	11/20/03	J18446A	93P4053	
			DEVELOPMENT NO.	Q/M
				42 / 82



	CARDBUS	
	1 SLOT	2 SLOTS
C561	ASM	ASM
C268	ASM	ASM
C575	ASM	ASM
C269	ASM	ASM
C270	NOASM	ASM
C255	NOASM	ASM
C256	NOASM	ASM
C271	NOASM	ASM

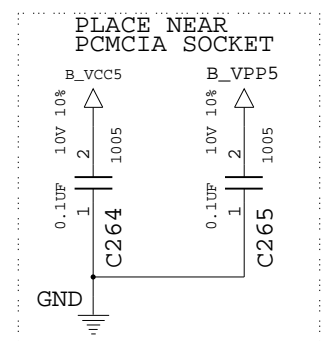
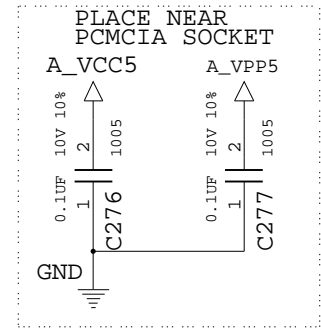
93P4053

DESIGNER	Y. I	11/20/03	PART NO.	93P4053	
CHECKED	Y. Y	11/20/03			
APPROVED	K. T	11/20/03	TITLE ROME-2 RWK(V049)		
CLASS	K. T	11/20/03	CARD BUS POWER CONTROL		
THIS DOCUMENT IS THE PROPERTY OF IBM. ITS USE IS AUTHORIZED ONLY FOR RESPONDING TO A REQUEST FOR QUOTATION OR FOR THE PERFORMANCE OF WORK FOR IBM. ALL QUESTIONS MUST BE REFERRED TO THE IBM PURCHASING DEPARTMENT.					IBM CONFIDENTIAL



REL	DATE	EC NO.	PART NO.
	11/20/03	J18446A	93P4053
			DEVELOPMENT NO.
			Q/M
			43 / 82

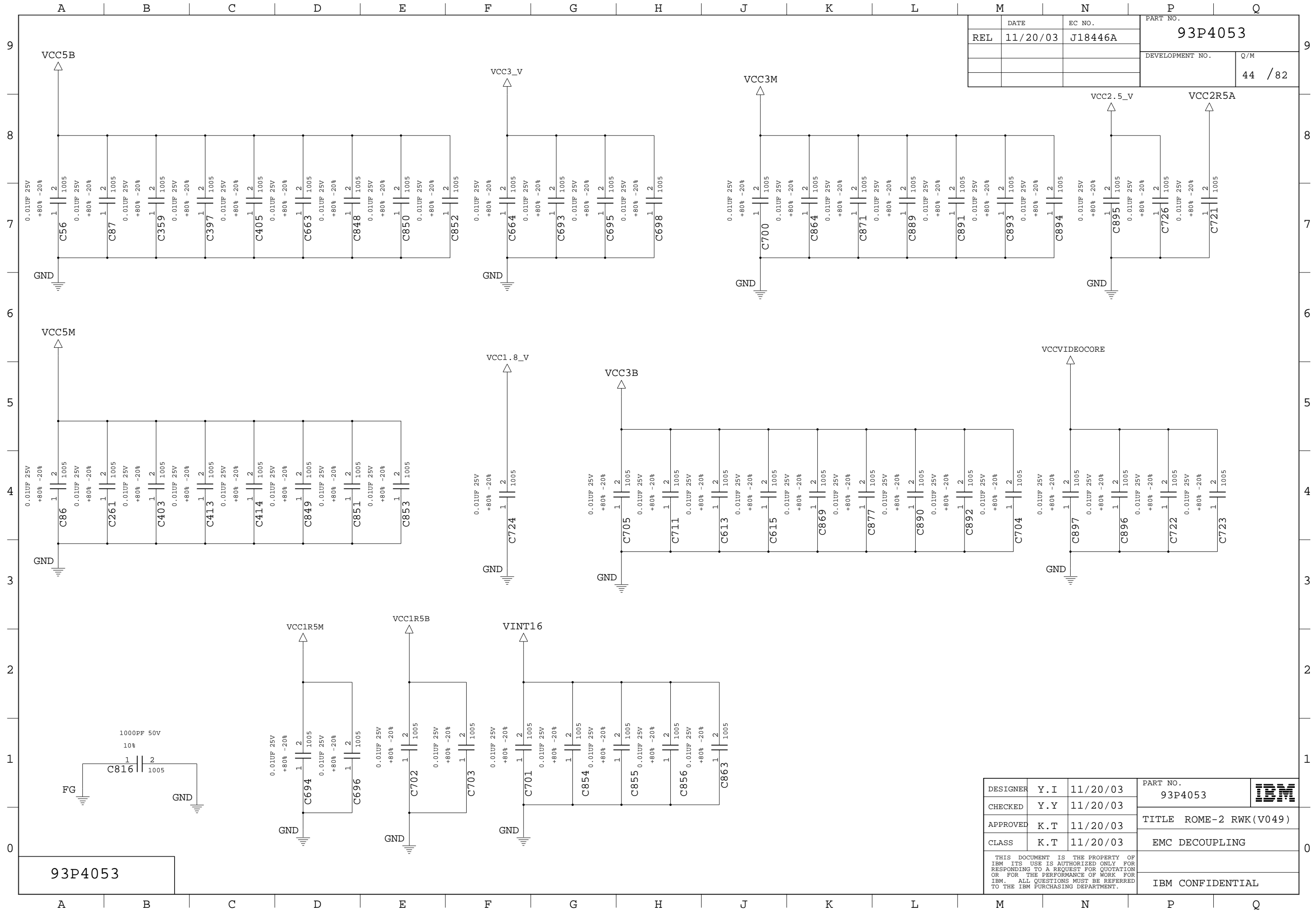
CARBUS		
	1 SLOT	2 SLOTS
R109	NOASM	NOASM
C431	NOASM	NOASM
R177	NOASM	NOASM
C275	NOASM	NOASM
C276	ASM	ASM
C277	ASM	ASM
C264	NOASM	ASM
C265	NOASM	ASM



DESIGNER	Y.I	11/20/03	PART NO.	93P4053	
CHECKED	Y.Y	11/20/03	TITLE		
APPROVED	K.T	11/20/03	CARD BUS SLOT		
CLASS	K.T	11/20/03	IBM CONFIDENTIAL		

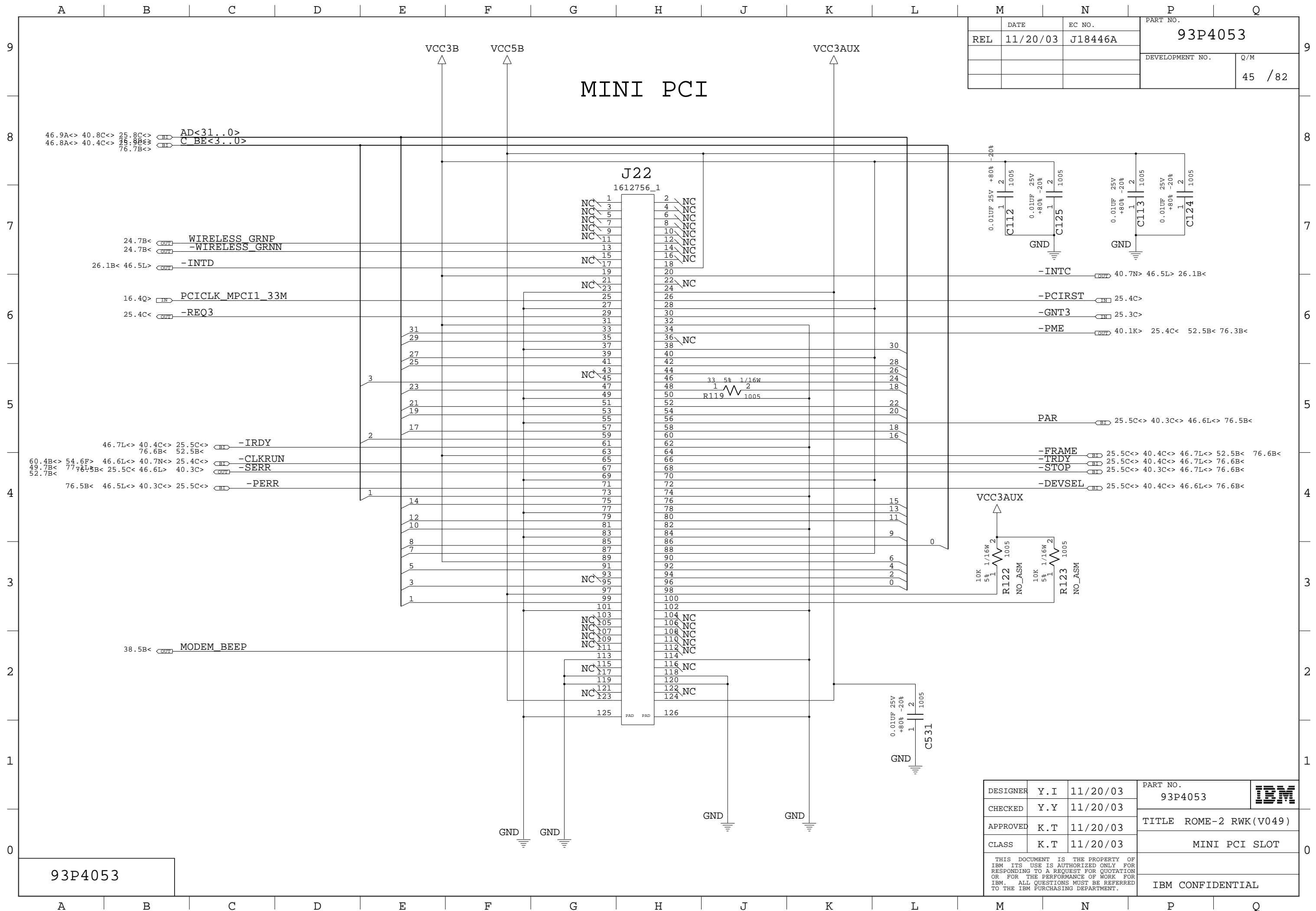
THIS DOCUMENT IS THE PROPERTY OF IBM. ITS USE IS AUTHORIZED ONLY FOR RESPONDING TO A REQUEST FOR QUOTATION OR FOR THE PERFORMANCE OF WORK FOR IBM. ALL QUESTIONS MUST BE REFERRED TO THE IBM PURCHASING DEPARTMENT.

93P4053



	DATE	EC NO.	PART NO.	
REL	11/20/03	J18446A	93P4053	
			DEVELOPMENT NO.	Q/M
			44	/82

DESIGNER	Y.I	11/20/03	PART NO.	93P4053	
CHECKED	Y.Y	11/20/03	TITLE		
APPROVED	K.T	11/20/03	EMC DECOUPLING		
CLASS	K.T	11/20/03	IBM CONFIDENTIAL		
<small>THIS DOCUMENT IS THE PROPERTY OF IBM. ITS USE IS AUTHORIZED ONLY FOR RESPONDING TO A REQUEST FOR QUOTATION OR FOR THE PERFORMANCE OF WORK FOR IBM. ALL QUESTIONS MUST BE REFERRED TO THE IBM PURCHASING DEPARTMENT.</small>					

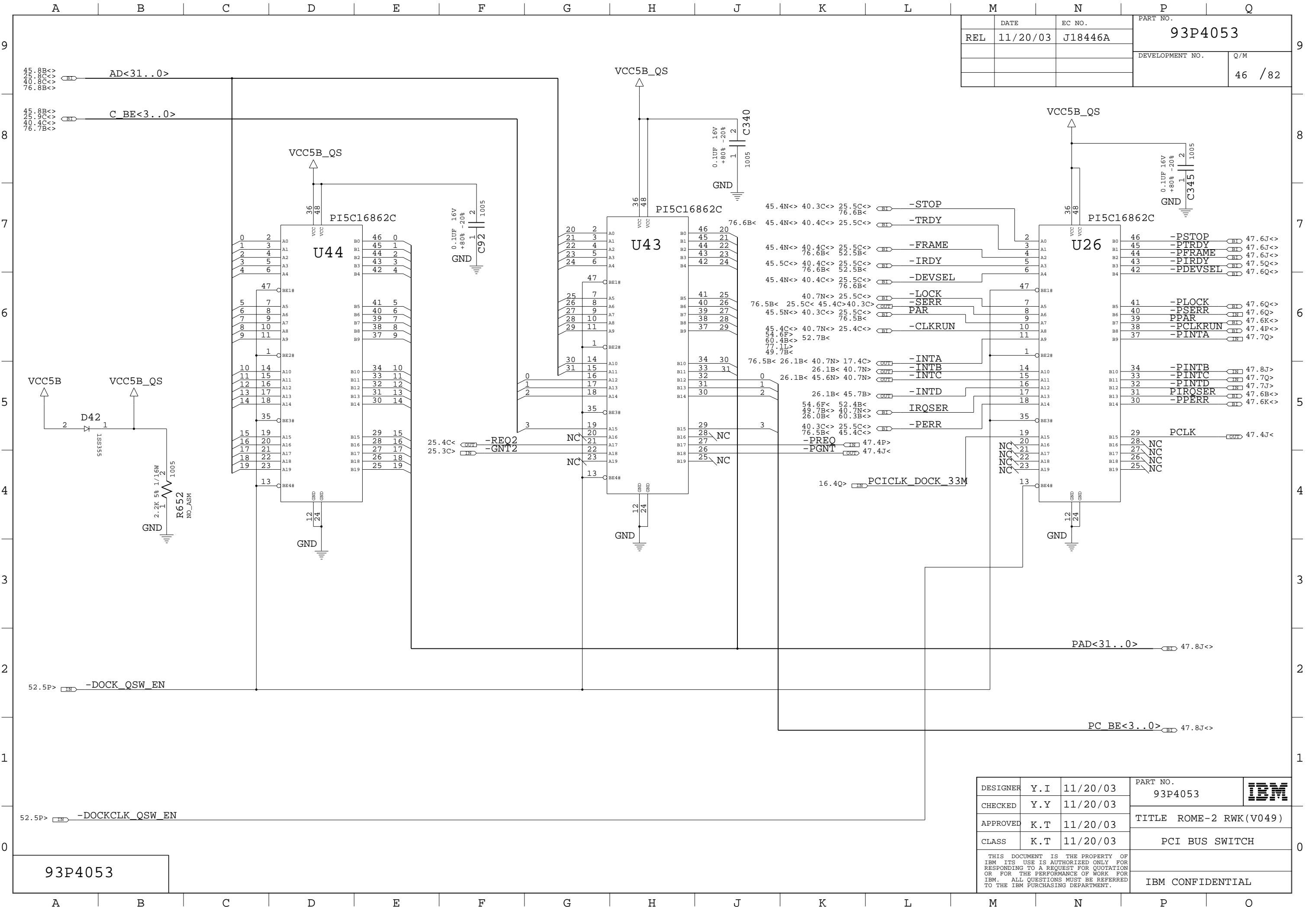


REL	DATE	EC NO.	PART NO.
	11/20/03	J18446A	93P4053
			DEVELOPMENT NO.
			Q/M
			45 / 82

93P4053

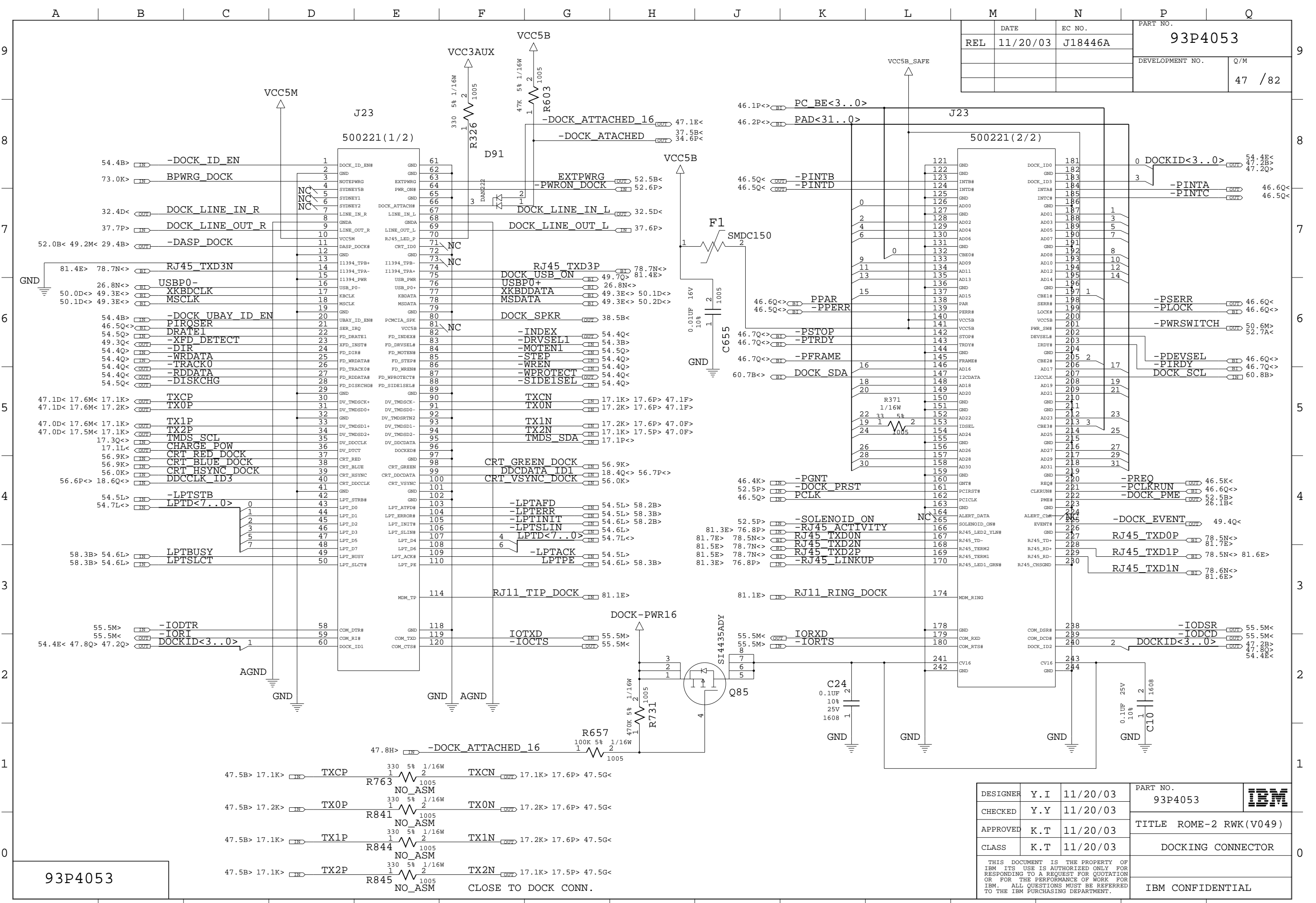
DESIGNER	Y. I	11/20/03	PART NO.	93P4053	
CHECKED	Y. Y	11/20/03	TITLE		
APPROVED	K. T	11/20/03	CLASS	MINI PCI SLOT	
THIS DOCUMENT IS THE PROPERTY OF IBM. ITS USE IS AUTHORIZED ONLY FOR RESPONDING TO A REQUEST FOR QUOTATION OR FOR THE PERFORMANCE OF WORK FOR IBM. ALL QUESTIONS MUST BE REFERRED TO THE IBM PURCHASING DEPARTMENT.				IBM CONFIDENTIAL	

REL	DATE	EC NO.	PART NO.
	11/20/03	J18446A	93P4053
			DEVELOPMENT NO.
			Q/M
			46 / 82



DESIGNER	Y. I	11/20/03	PART NO.	93P4053	IBM
CHECKED	Y. Y	11/20/03			
APPROVED	K. T	11/20/03	TITLE ROME-2 RWK (V049)		
CLASS	K. T	11/20/03	PCI BUS SWITCH		
THIS DOCUMENT IS THE PROPERTY OF IBM. ITS USE IS AUTHORIZED ONLY FOR RESPONDING TO A REQUEST FOR QUOTATION OR FOR THE PERFORMANCE OF WORK FOR IBM. ALL QUESTIONS MUST BE REFERRED TO THE IBM PURCHASING DEPARTMENT.				IBM CONFIDENTIAL	

93P4053

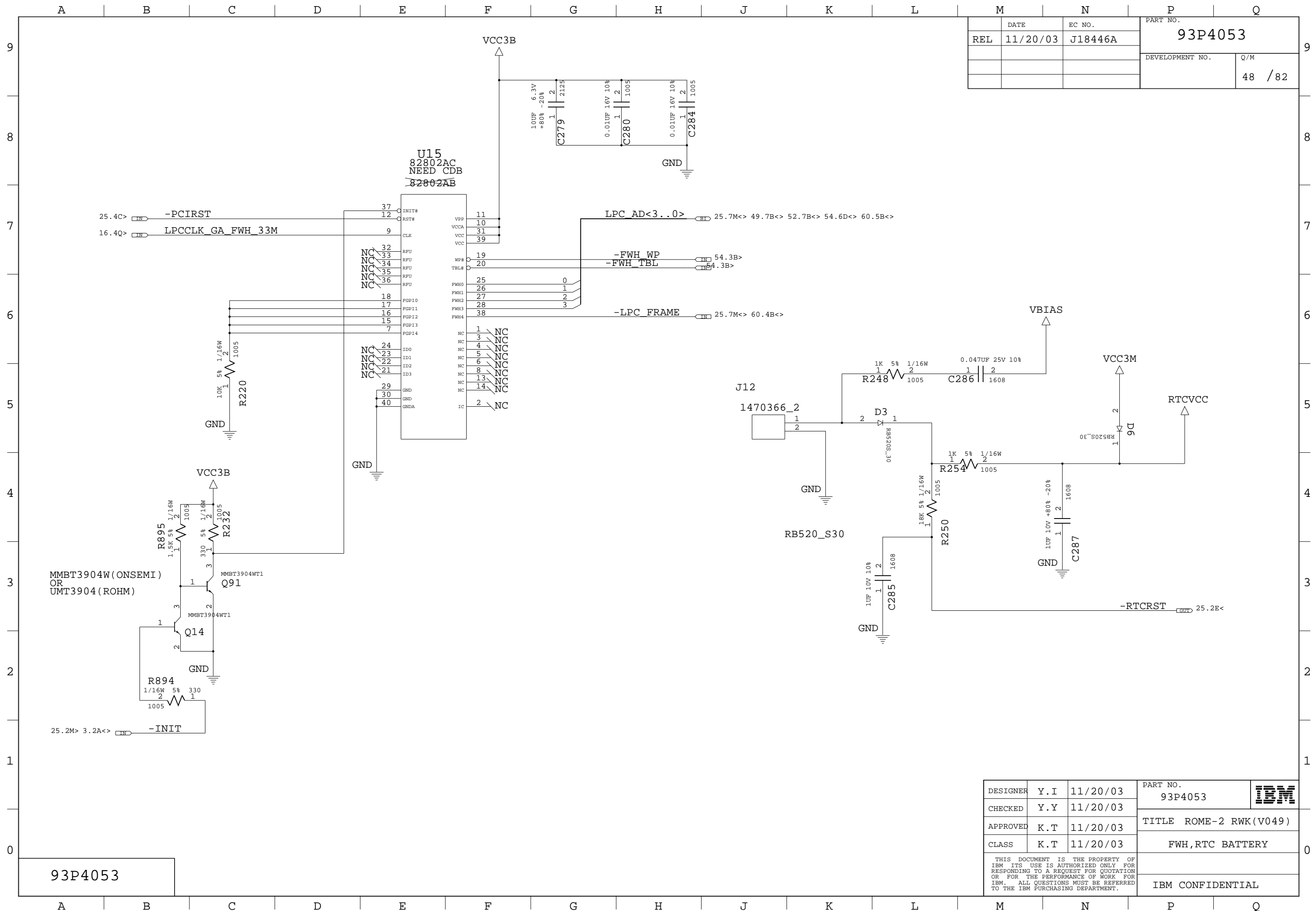


REL	DATE	EC NO.	PART NO.
	11/20/03	J18446A	93P4053
			DEVELOPMENT NO.
			Q/M
			47 / 82

DESIGNER	Y. I	11/20/03	PART NO.	93P4053	IBM
CHECKED	Y. Y	11/20/03			
APPROVED	K. T	11/20/03	TITLE ROME-2 RWK (V049)		
CLASS	K. T	11/20/03	DOCKING CONNECTOR		
THIS DOCUMENT IS THE PROPERTY OF IBM ITS USE IS AUTHORIZED ONLY FOR RESPONDING TO A REQUEST FOR QUOTATION OR FOR THE PERFORMANCE OF WORK FOR IBM. ALL QUESTIONS MUST BE REFERRED TO THE IBM PURCHASING DEPARTMENT.					IBM CONFIDENTIAL

93P4053

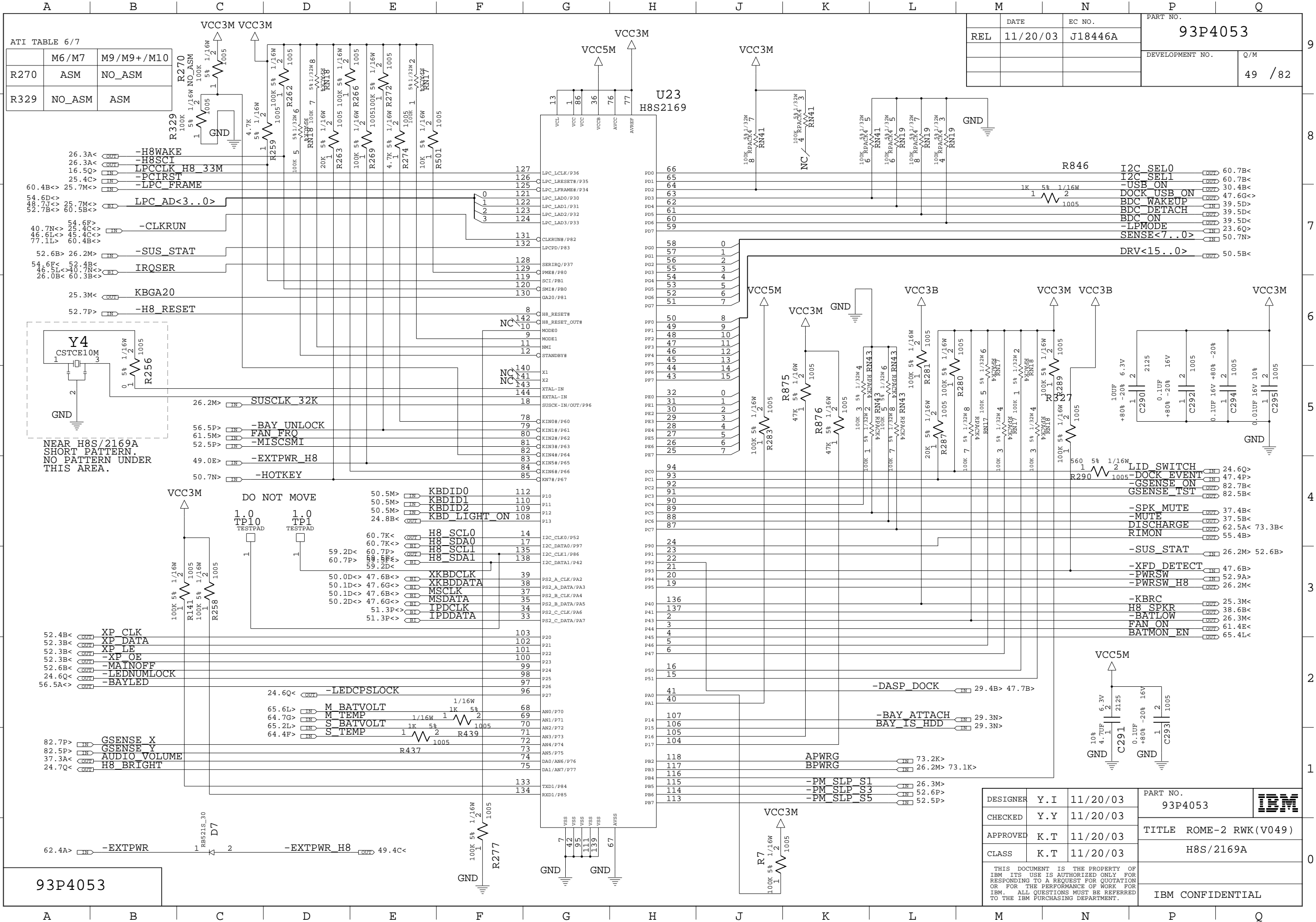
CLOSE TO DOCK CONN.



	DATE	EC NO.	PART NO.	
REL	11/20/03	J18446A	93P4053	
			DEVELOPMENT NO.	Q/M
				48 / 82

93P4053

DESIGNER	Y. I	11/20/03	PART NO.	93P4053	
CHECKED	Y. Y	11/20/03			
APPROVED	K. T	11/20/03	TITLE ROME-2 RWK (V049)		
CLASS	K. T	11/20/03	FWH, RTC BATTERY		
THIS DOCUMENT IS THE PROPERTY OF IBM. ITS USE IS AUTHORIZED ONLY FOR RESPONDING TO A REQUEST FOR QUOTATION OR FOR THE PERFORMANCE OF WORK FOR IBM. ALL QUESTIONS MUST BE REFERRED TO THE IBM PURCHASING DEPARTMENT.					IBM CONFIDENTIAL



ATI TABLE 6/7		
M6/M7	M9/M9+/M10	
R270	ASM	NO_ASM
R329	NO_ASM	ASM

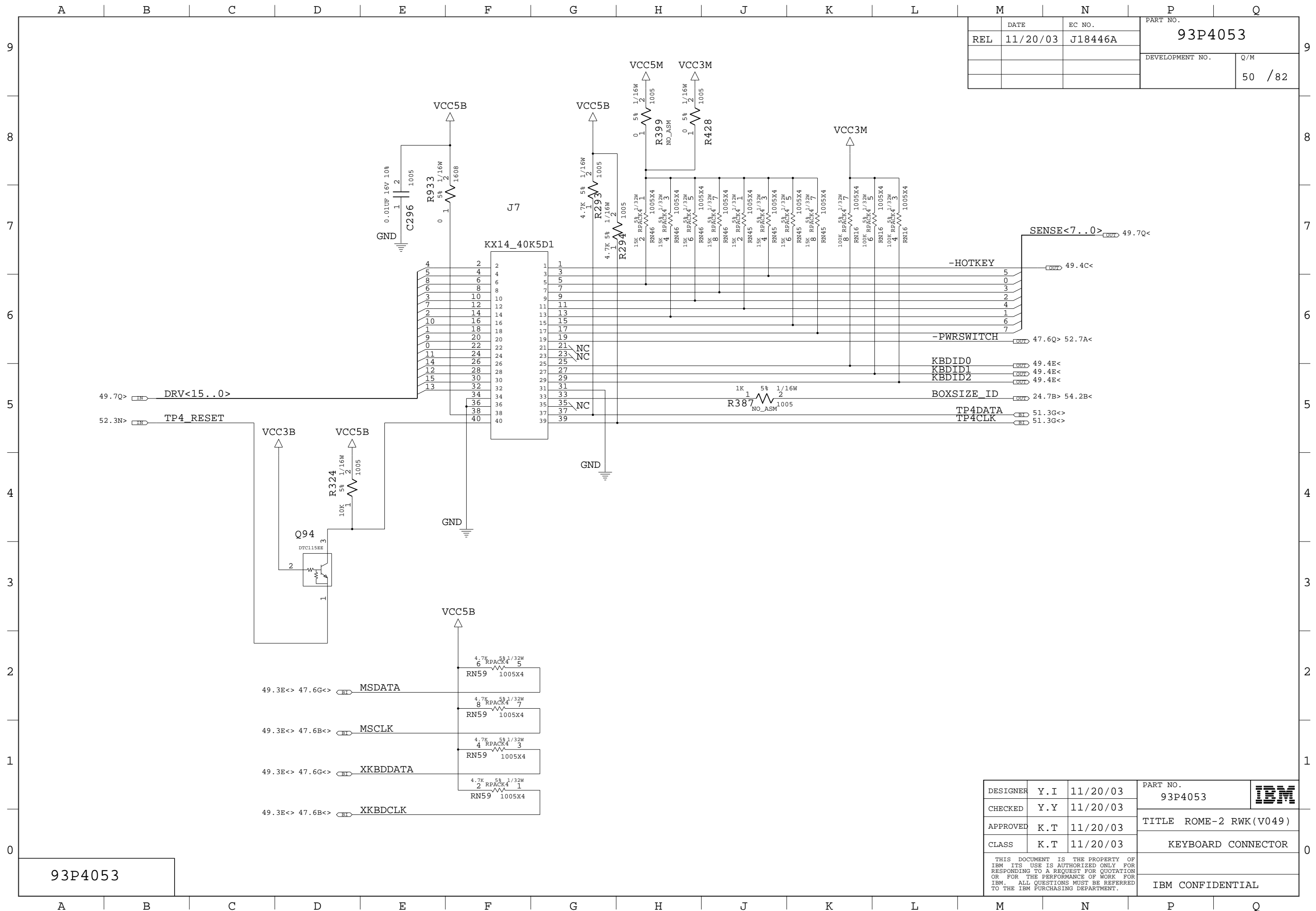
DATE	EC NO.	PART NO.
REL 11/20/03	J18446A	93P4053
DEVELOPMENT NO.		Q/M
		49 / 82

NEAR H8S/2169A
SHORT PATTERN.
NO PATTERN UNDER
THIS AREA.

DESIGNER	Y.I	11/20/03	PART NO.	93P4053	
CHECKED	Y.Y	11/20/03	TITLE ROME-2 RWK(V049)		
APPROVED	K.T	11/20/03	H8S/2169A		IBM CONFIDENTIAL
CLASS	K.T	11/20/03			

THIS DOCUMENT IS THE PROPERTY OF IBM. ITS USE IS AUTHORIZED ONLY FOR RESPONDING TO A REQUEST FOR QUOTATION OR FOR THE PERFORMANCE OF WORK FOR IBM. ALL QUESTIONS MUST BE REFERRED TO THE IBM PURCHASING DEPARTMENT.

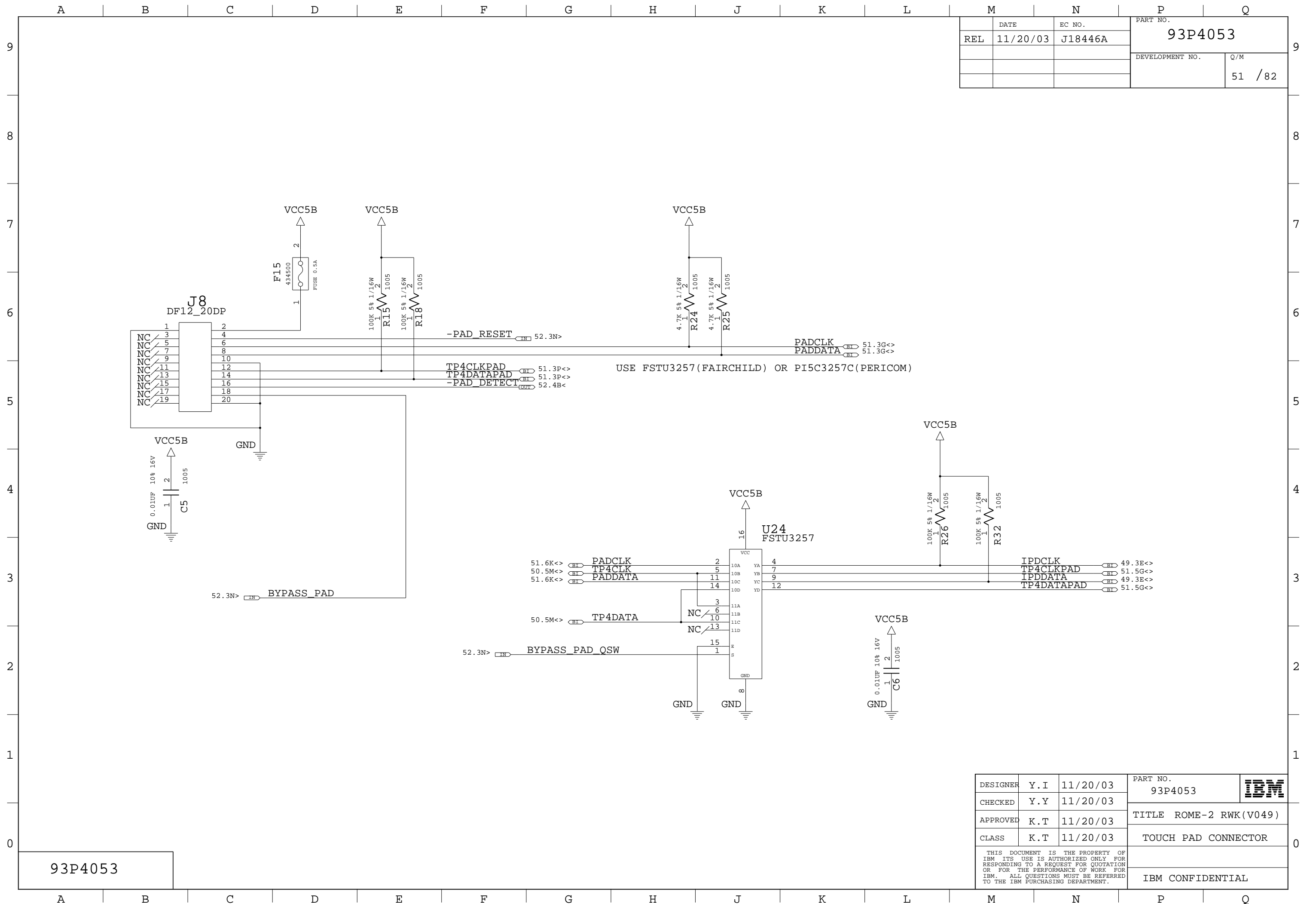
93P4053



	DATE	EC NO.	PART NO.	
REL	11/20/03	J18446A	93P4053	
			DEVELOPMENT NO.	Q/M
				50 / 82

93P4053

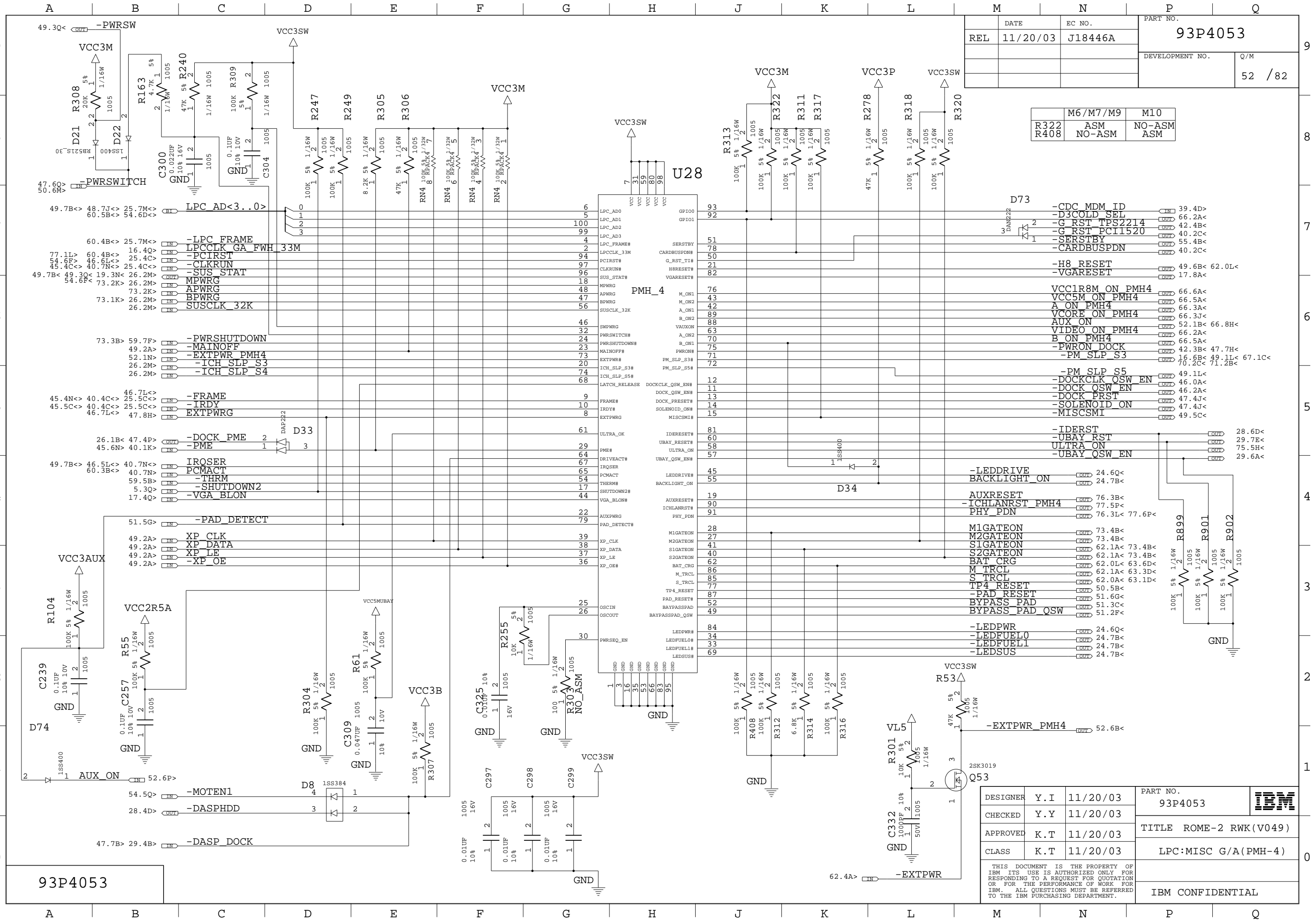
DESIGNER	Y. I	11/20/03	PART NO.	93P4053	
CHECKED	Y. Y	11/20/03	TITLE		
APPROVED	K. T	11/20/03	KEYBOARD CONNECTOR		
CLASS	K. T	11/20/03	IBM CONFIDENTIAL		
<small>THIS DOCUMENT IS THE PROPERTY OF IBM. ITS USE IS AUTHORIZED ONLY FOR RESPONDING TO A REQUEST FOR QUOTATION OR FOR THE PERFORMANCE OF WORK FOR IBM. ALL QUESTIONS MUST BE REFERRED TO THE IBM PURCHASING DEPARTMENT.</small>					



	DATE	EC NO.	PART NO.	
REL	11/20/03	J18446A	93P4053	
			DEVELOPMENT NO.	Q/M
				51 / 82

93P4053

DESIGNER	Y. I	11/20/03	PART NO.	93P4053	
CHECKED	Y. Y	11/20/03			
APPROVED	K. T	11/20/03	TITLE ROME-2 RWK(V049)		
CLASS	K. T	11/20/03	TOUCH PAD CONNECTOR		
THIS DOCUMENT IS THE PROPERTY OF IBM. ITS USE IS AUTHORIZED ONLY FOR RESPONDING TO A REQUEST FOR QUOTATION OR FOR THE PERFORMANCE OF WORK FOR IBM. ALL QUESTIONS MUST BE REFERRED TO THE IBM PURCHASING DEPARTMENT.					IBM CONFIDENTIAL



REL	DATE	EC NO.	PART NO.
	11/20/03	J18446A	93P4053
			DEVELOPMENT NO.
			Q/M
			52 / 82

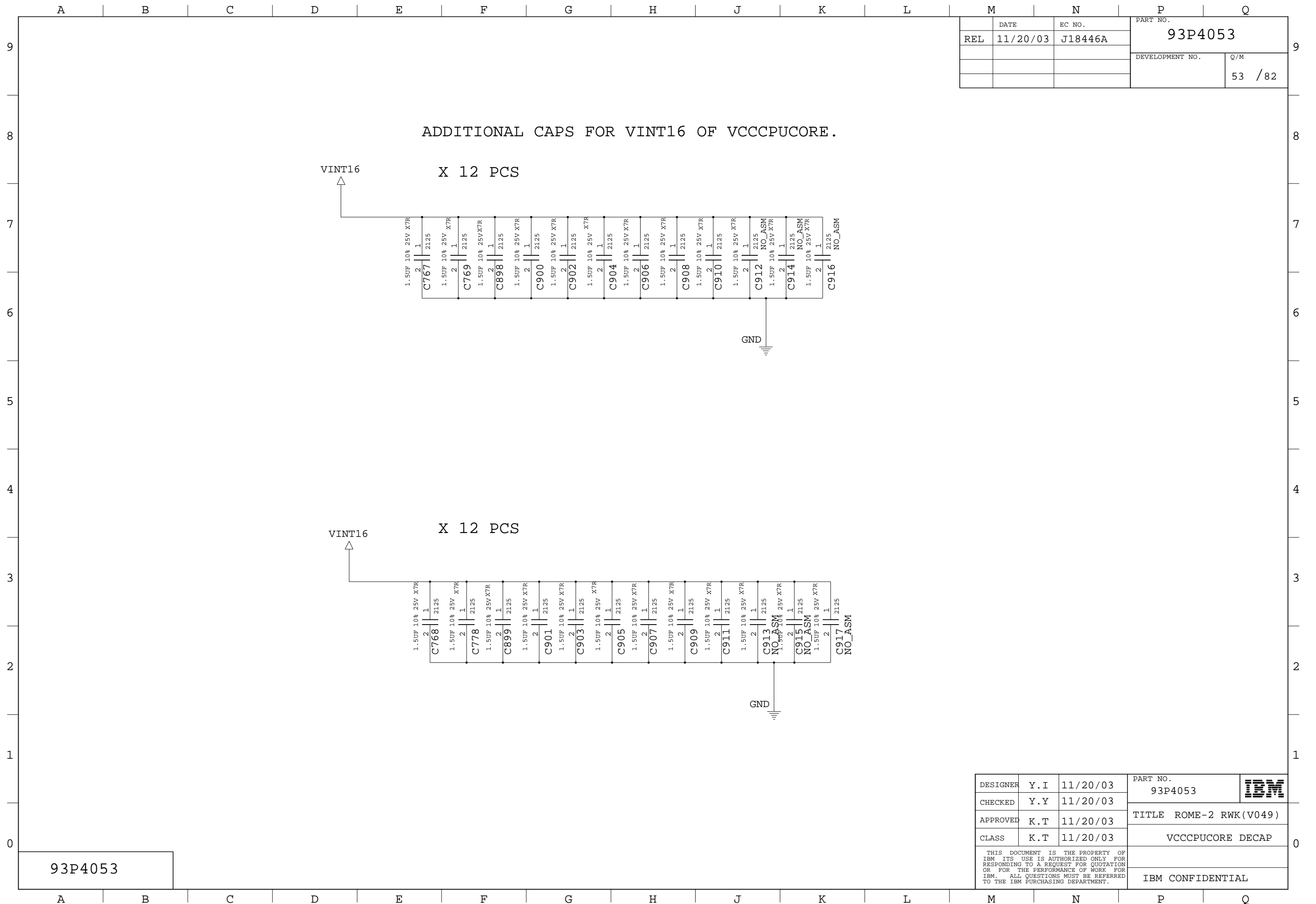
	M6/M7/M9	M10
R322	ASM	NO-ASM
R408	NO-ASM	ASM

D73	-CDC MDM ID	39.4D>
	-D3COLD_SEL	66.2A<
	-G_RST TPS2214	42.4B<
	-G_RST PCI1520	40.2C<
	-SERSTBY	55.4B<
	-CARDBUSPDN	40.2C<
	-H8 RESET	49.6B< 62.0L<
	-VGARESET	17.8A<
	VCC1R8M ON PMH4	66.6A<
	VCC5M ON PMH4	66.5A<
	A ON PMH4	66.3A<
	VCORE ON PMH4	66.3J<
	AUX ON	52.1B< 66.8H<
	VIDEO ON PMH4	66.2A<
	B ON PMH4	66.5A<
	-PWRON DOCK	42.3B< 47.7H<
	-PM_SLP_S3	16.6B< 49.1L< 67.1C<
	-PM_SLP_S5	49.1L<
	-DOCKCLK_QSW_EN	46.0A<
	-DOCK_QSW_EN	46.2A<
	-DOCK_PRST	47.4J<
	-SOLENOID_ON	47.4J<
	-MISCSMI	49.5C<
	-IDERST	28.6D<
	-UBAY_RST	29.7E<
	ULTRA_ON	75.5H<
	-UBAY_QSW_EN	29.6A<
	-LEDDRIVE	24.6Q<
	BACKLIGHT_ON	24.7B<
	AUXRESET	76.3B<
	-ICHLANRST PMH4	77.5P<
	PHY_PDN	76.3L< 77.6P<
	M1GATEON	73.4B<
	M2GATEON	73.4B<
	S1GATEON	62.1A< 73.4B<
	S2GATEON	62.1A< 73.4B<
	BAT_CRG	62.0L< 63.6D<
	M_TRCL	62.1A< 63.3D<
	S_TRCL	62.0A< 63.1D<
	TP4_RESET	50.5B<
	-PAD_RESET	51.6G<
	BYPASS_PAD	51.3C<
	BYPASS_PAD_QSW	51.2F<
	-LEDPWR	24.6Q<
	-LEDFUELO	24.7B<
	-LEDFUEL1	24.7B<
	-LEDSUS	24.7B<

93P4053

DESIGNER	Y.I	11/20/03	PART NO.	93P4053	
CHECKED	Y.Y	11/20/03	TITLE	ROME-2 RWK(V049)	
APPROVED	K.T	11/20/03		LPC:MISC G/A(PMH-4)	
CLASS	K.T	11/20/03		IBM CONFIDENTIAL	

THIS DOCUMENT IS THE PROPERTY OF IBM ITS USE IS AUTHORIZED ONLY FOR RESPONDING TO A REQUEST FOR QUOTATION OR FOR THE PERFORMANCE OF WORK FOR IBM. ALL QUESTIONS MUST BE REFERRED TO THE IBM PURCHASING DEPARTMENT.

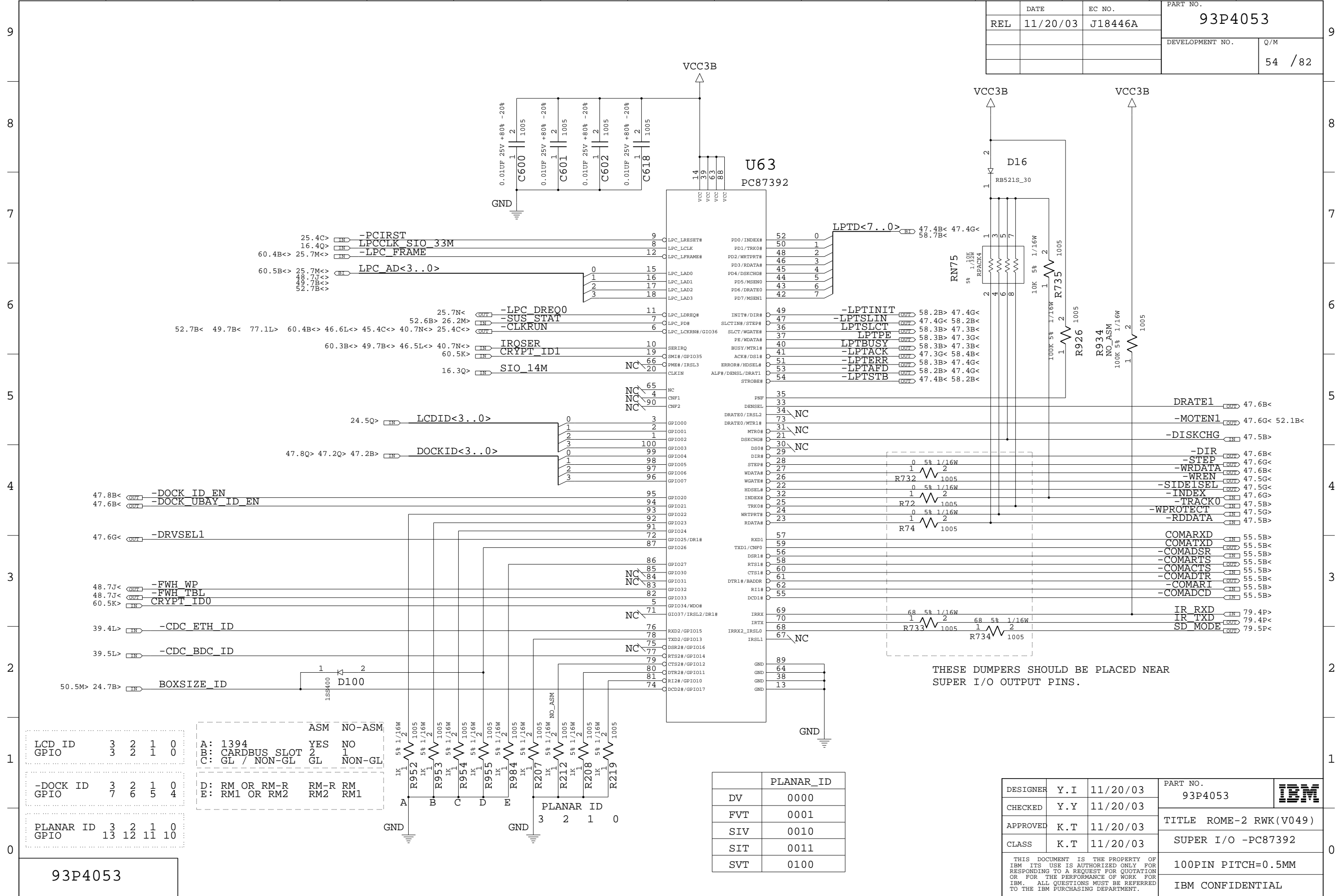


	DATE	EC NO.	PART NO.	
REL	11/20/03	J18446A	93P4053	
			DEVELOPMENT NO.	Q/M
				53 /82

93P4053

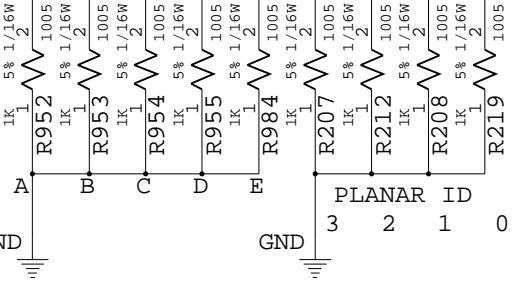
DESIGNER	Y. I	11/20/03	PART NO.	93P4053	
CHECKED	Y. Y	11/20/03	TITLE		
APPROVED	K. T	11/20/03	VCCCPUCORE DECAP		
CLASS	K. T	11/20/03	IBM CONFIDENTIAL		
<small>THIS DOCUMENT IS THE PROPERTY OF IBM ITS USE IS AUTHORIZED ONLY FOR RESPONDING TO A REQUEST FOR QUOTATION OR FOR THE PERFORMANCE OF WORK FOR IBM. ALL QUESTIONS MUST BE REFERRED TO THE IBM PURCHASING DEPARTMENT.</small>					

REL	DATE	EC NO.	PART NO.
	11/20/03	J18446A	93P4053
			DEVELOPMENT NO.
			Q/M
			54 / 82



LCD ID	3	2	1	0
GPIO	3	2	1	0
-DOCK ID	3	2	1	0
GPIO	7	6	5	4
PLANAR ID	3	2	1	0
GPIO	13	12	11	10

A: 1394	YES	NO
B: CARBUS SLOT	2	1
C: GL / NON-GL	GL	NON-GL
D: RM OR RM-R	RM-R	RM
E: RM1 OR RM2	RM2	RM1

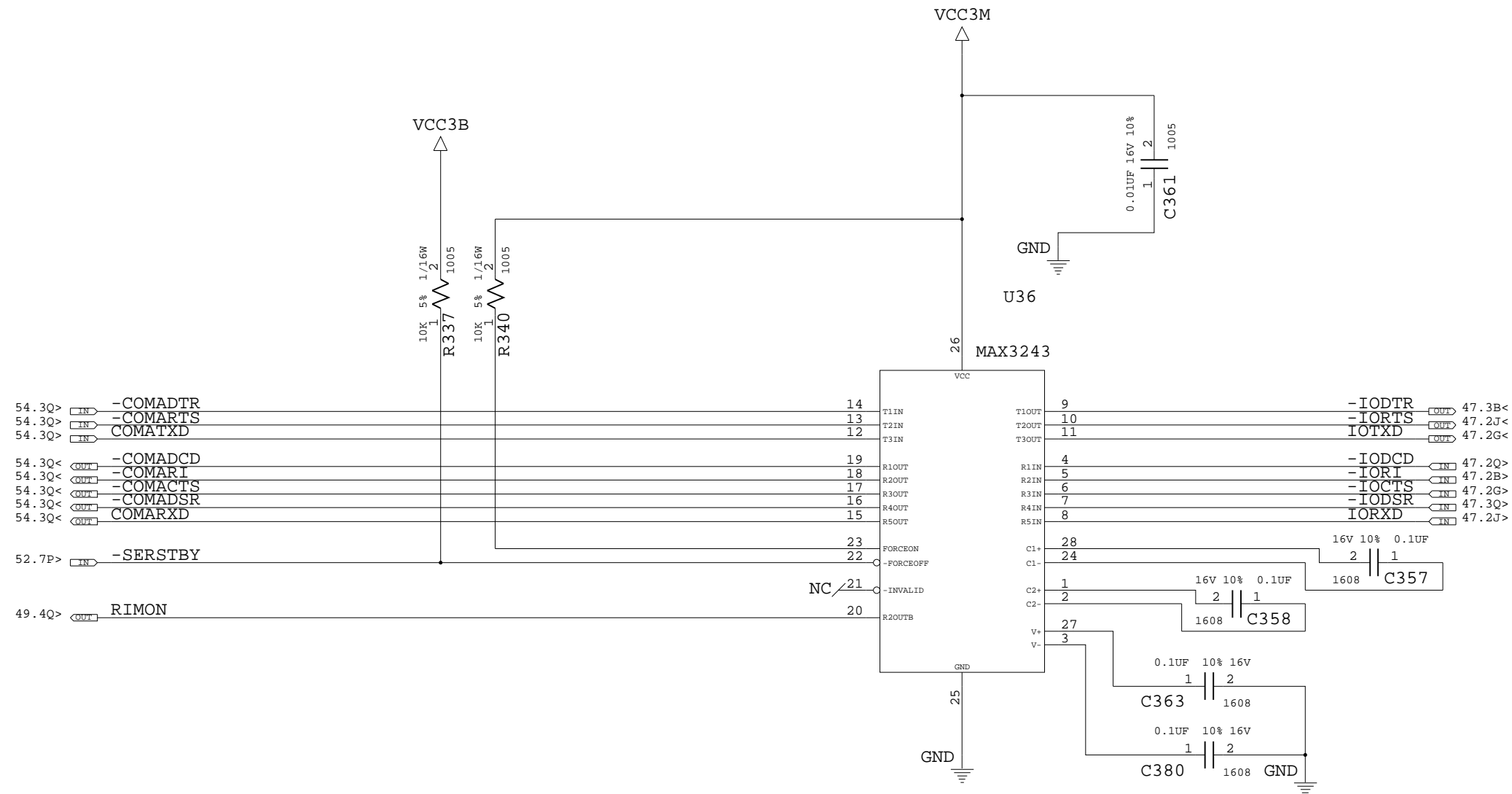


	PLANAR_ID
DV	0000
FVT	0001
SIV	0010
SIT	0011
SVT	0100

THESE DUMPERS SHOULD BE PLACED NEAR SUPER I/O OUTPUT PINS.

DESIGNER	Y.I	11/20/03	PART NO.	93P4053	
CHECKED	Y.Y	11/20/03			
APPROVED	K.T	11/20/03	TITLE ROME-2 RWK(V049)		
CLASS	K.T	11/20/03	SUPER I/O -PC87392		
THIS DOCUMENT IS THE PROPERTY OF IBM ITS USE IS AUTHORIZED ONLY FOR RESPONDING TO A REQUEST FOR QUOTATION OR FOR THE PERFORMANCE OF WORK FOR IBM. ALL QUESTIONS MUST BE REFERRED TO THE IBM PURCHASING DEPARTMENT.				100PIN PITCH=0.5MM	IBM CONFIDENTIAL

	DATE	EC NO.	PART NO.	
REL	11/20/03	J18446A	93P4053	
			DEVELOPMENT NO.	Q/M
				55 / 82

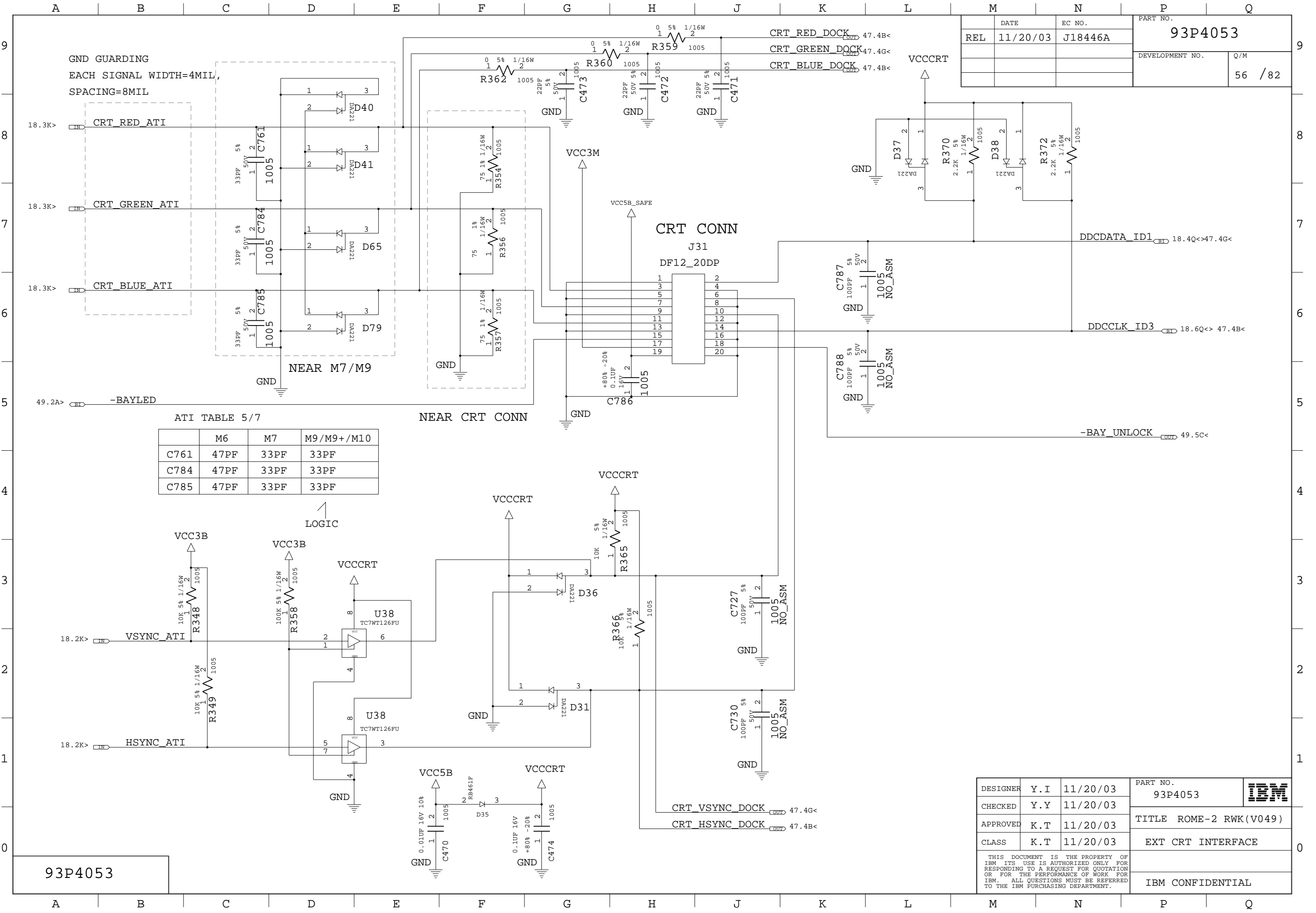


R1IN/R2IN/R3IN/R5IN HAVE INTERNAL PULLDOWN(5K OHM).
DO NOT WIRE SIGNALS UNDER PINS (1/2/3/24/25/26/27/28)
CHARGE PUMP CAPACITOR SHOULD BE PLACED NEAR PINS(1/2/3/24/27/28)
ADD GND SHILED UNDER CHARGE PUMP CIRCUIT TO
PROTECT POWER LINE NOISE
CAPACITORS FOR CHARGE PUMP SHOULD BE USED TYPE B AND LOW ESR TYPE.

	NORMAL MODE	POWER DOWN MODE	AUTO POWER DOWN MODE
FORCEON	HIGH	DO NOT CARE	LOW
FOCEOFF	HIGH	LOW	HIGH

93P4053

DESIGNER	Y. I	11/20/03	PART NO.	93P4053	IBM
CHECKED	Y. Y	11/20/03	TITLE		
APPROVED	K. T	11/20/03	CLASS	SERIAL INTERFACE	
THIS DOCUMENT IS THE PROPERTY OF IBM ITS USE IS AUTHORIZED ONLY FOR RESPONDING TO A REQUEST FOR QUOTATION OR FOR THE PERFORMANCE OF WORK FOR IBM. ALL QUESTIONS MUST BE REFERRED TO THE IBM PURCHASING DEPARTMENT.					IBM CONFIDENTIAL



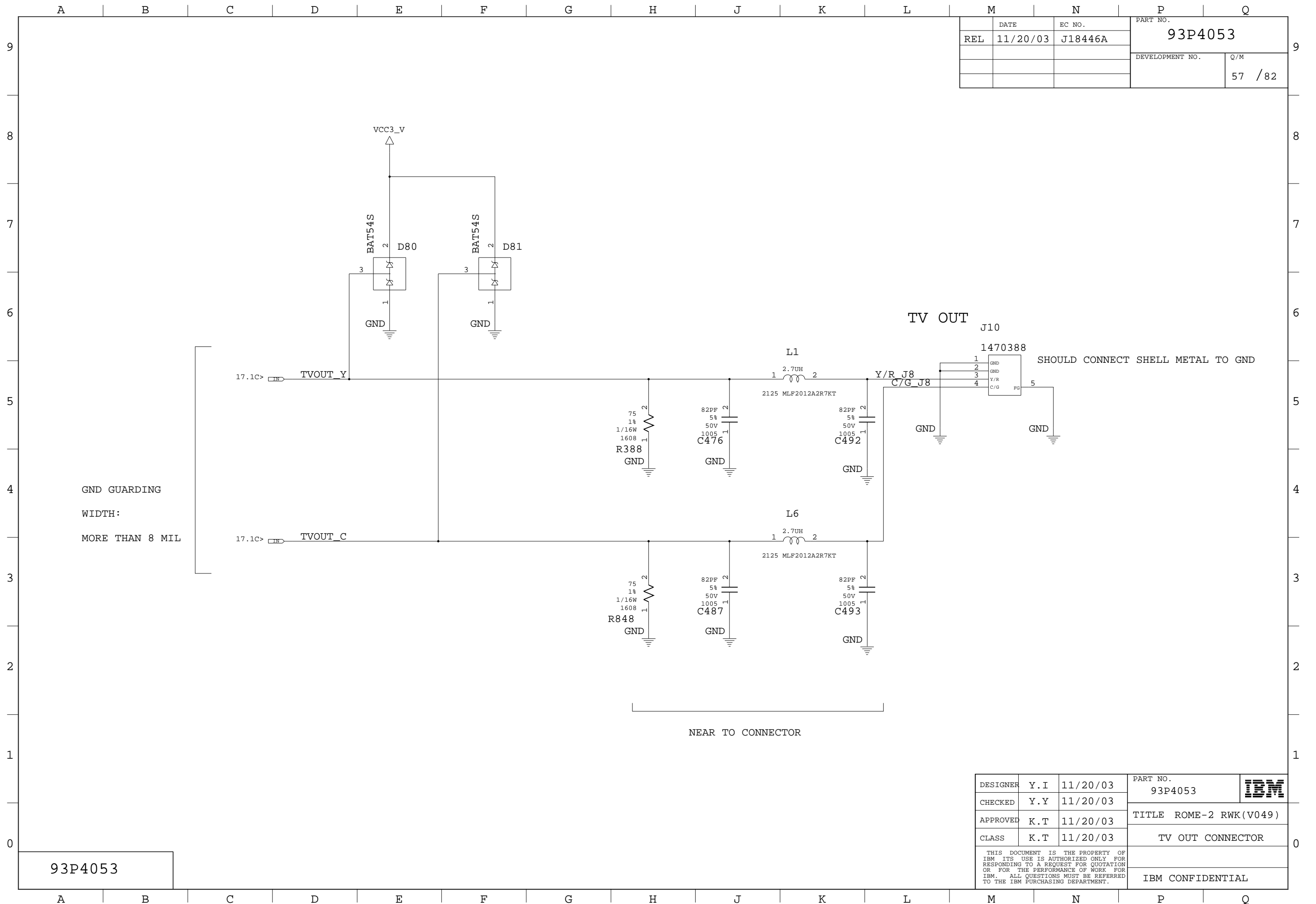
REL	DATE	EC NO.	PART NO.
	11/20/03	J18446A	93P4053
			DEVELOPMENT NO.
			Q/M
			56 / 82

ATI TABLE 5/7

	M6	M7	M9/M9+/M10
C761	47PF	33PF	33PF
C784	47PF	33PF	33PF
C785	47PF	33PF	33PF

DESIGNER	Y.I	11/20/03	PART NO.	93P4053	IBM
CHECKED	Y.Y	11/20/03	TITLE		
APPROVED	K.T	11/20/03	CLASS	EXT CRT INTERFACE	
					THIS DOCUMENT IS THE PROPERTY OF IBM ITS USE IS AUTHORIZED ONLY FOR RESPONDING TO A REQUEST FOR QUOTATION OR FOR THE PERFORMANCE OF WORK FOR IBM. ALL QUESTIONS MUST BE REFERRED TO THE IBM PURCHASING DEPARTMENT.
					IBM CONFIDENTIAL

93P4053



	DATE	EC NO.	PART NO.	
REL	11/20/03	J18446A	93P4053	
			DEVELOPMENT NO.	Q/M
				57 /82

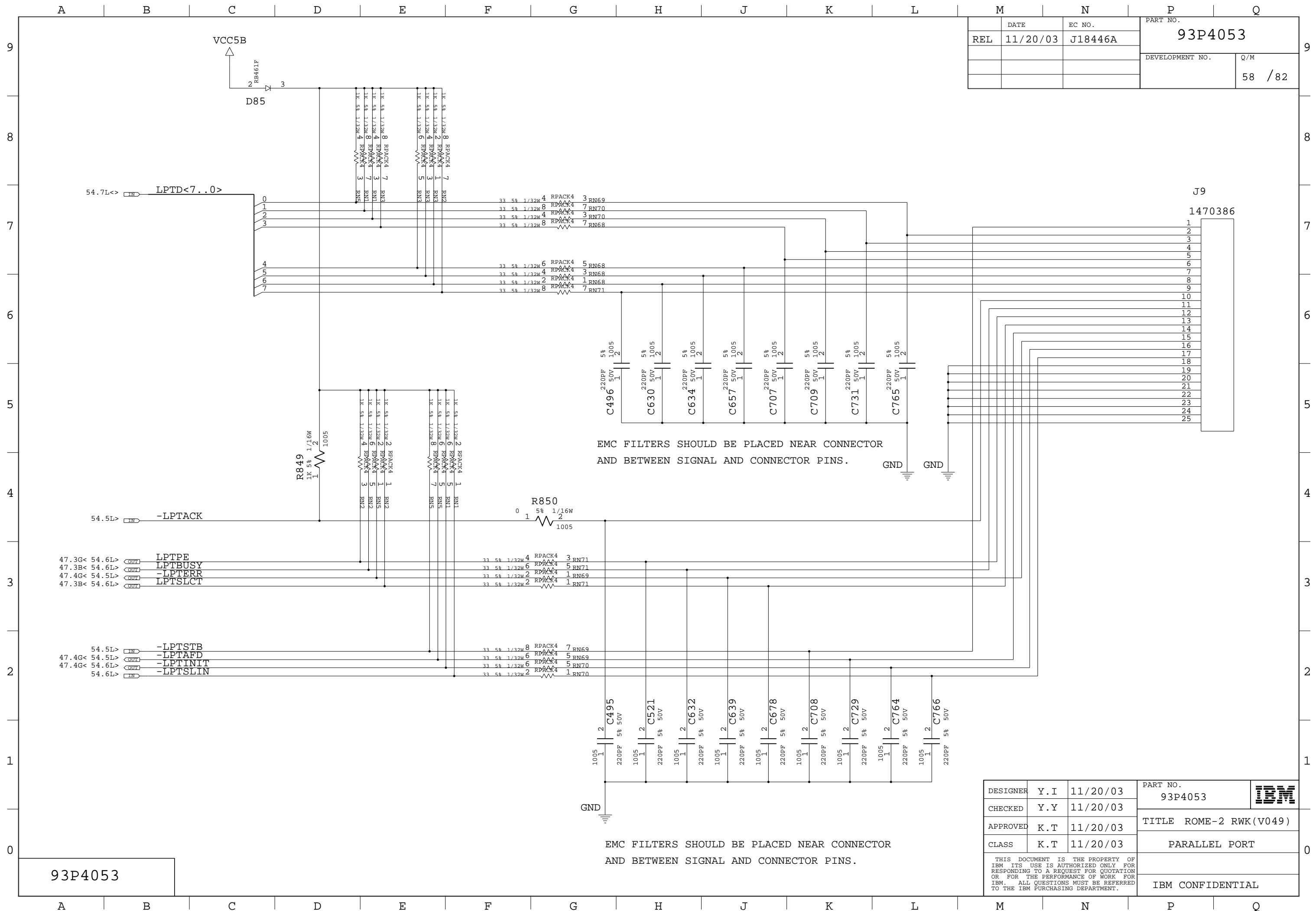
GND GUARDING
WIDTH:
MORE THAN 8 MIL

SHOULD CONNECT SHELL METAL TO GND

NEAR TO CONNECTOR

93P4053

DESIGNER	Y. I	11/20/03	PART NO.	93P4053	IBM
CHECKED	Y. Y	11/20/03			
APPROVED	K. T	11/20/03	TITLE ROME-2 RWK(V049)		
CLASS	K. T	11/20/03	TV OUT CONNECTOR		
THIS DOCUMENT IS THE PROPERTY OF IBM ITS USE IS AUTHORIZED ONLY FOR RESPONDING TO A REQUEST FOR QUOTATION OR FOR THE PERFORMANCE OF WORK FOR IBM. ALL QUESTIONS MUST BE REFERRED TO THE IBM PURCHASING DEPARTMENT.				IBM CONFIDENTIAL	



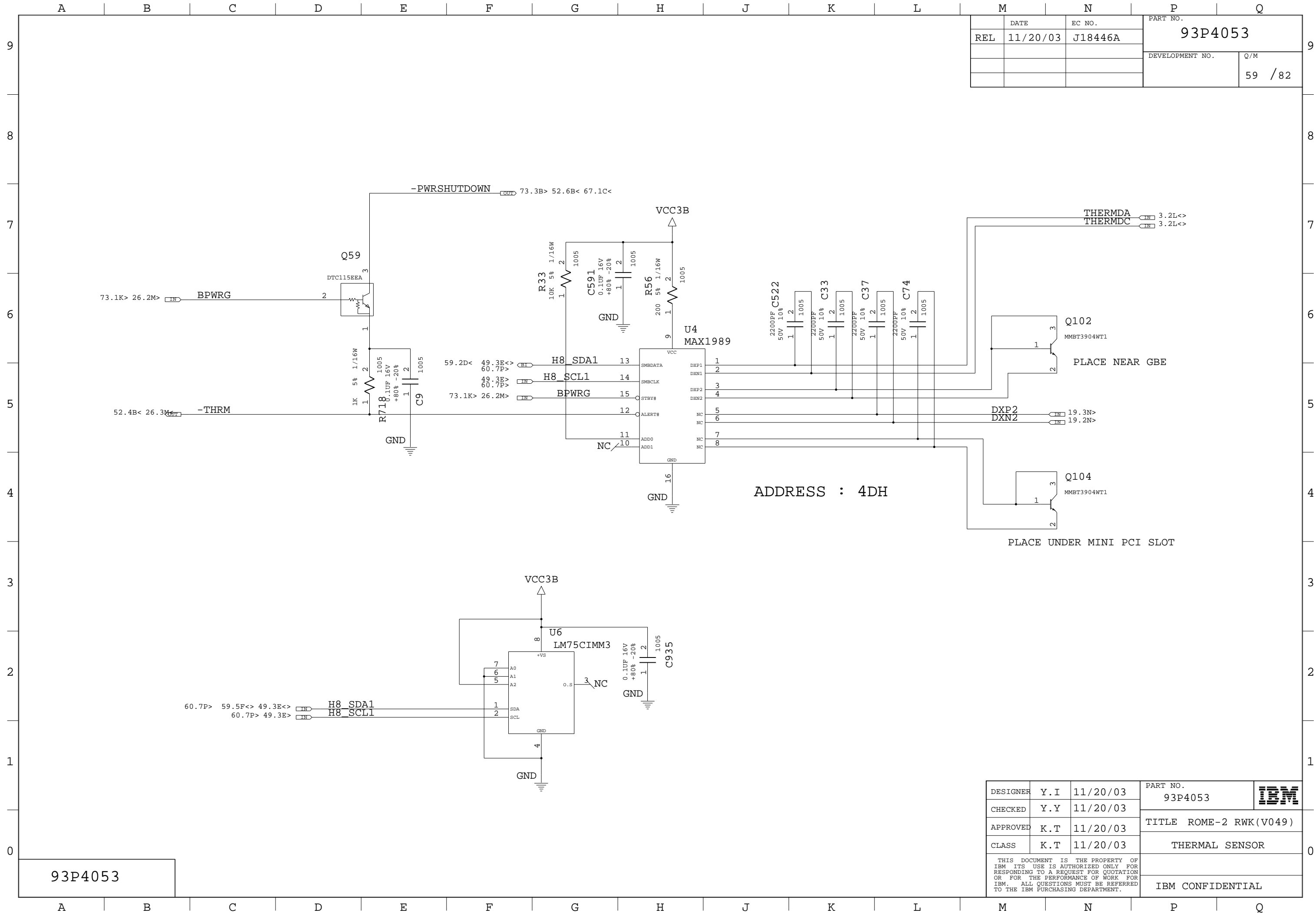
REL	DATE	EC NO.	PART NO.
	11/20/03	J18446A	93P4053
			DEVELOPMENT NO.
			Q/M
			58 / 82

EMC FILTERS SHOULD BE PLACED NEAR CONNECTOR AND BETWEEN SIGNAL AND CONNECTOR PINS.

EMC FILTERS SHOULD BE PLACED NEAR CONNECTOR AND BETWEEN SIGNAL AND CONNECTOR PINS.

93P4053

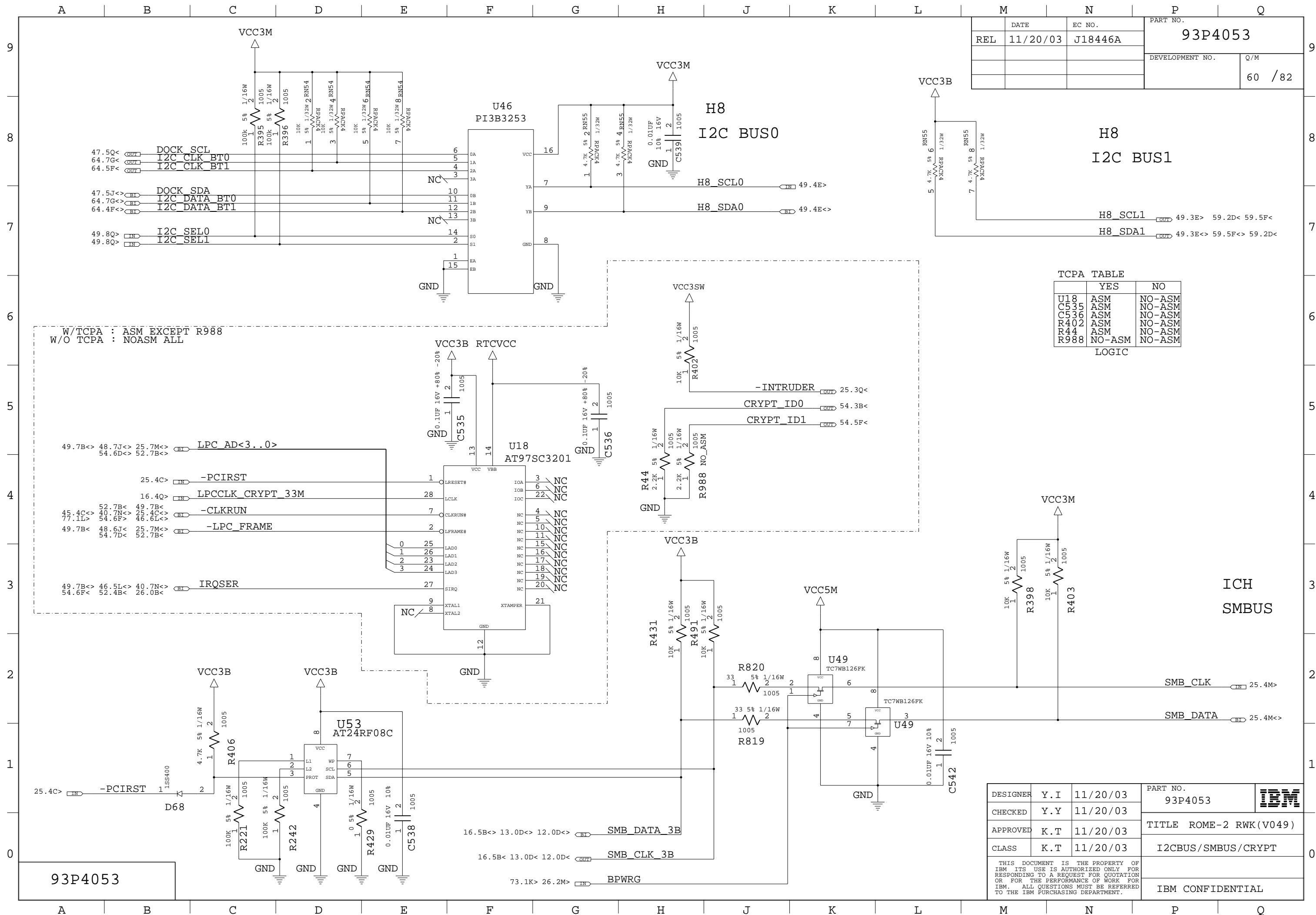
DESIGNER	Y. I	11/20/03	PART NO.	93P4053	
CHECKED	Y. Y	11/20/03			
APPROVED	K. T	11/20/03	TITLE ROME-2 RWK(V049)		
CLASS	K. T	11/20/03	PARALLEL PORT		
THIS DOCUMENT IS THE PROPERTY OF IBM. ITS USE IS AUTHORIZED ONLY FOR RESPONDING TO A REQUEST FOR QUOTATION OR FOR THE PERFORMANCE OF WORK FOR IBM. ALL QUESTIONS MUST BE REFERRED TO THE IBM PURCHASING DEPARTMENT.					IBM CONFIDENTIAL



	DATE	EC NO.	PART NO.	
REL	11/20/03	J18446A	93P4053	
			DEVELOPMENT NO.	Q/M
			59	/82

93P4053

DESIGNER	Y. I	11/20/03	PART NO.	93P4053	
CHECKED	Y. Y	11/20/03	TITLE		
APPROVED	K. T	11/20/03	CLASS	THERMAL SENSOR	
THIS DOCUMENT IS THE PROPERTY OF IBM. ITS USE IS AUTHORIZED ONLY FOR RESPONDING TO A REQUEST FOR QUOTATION OR FOR THE PERFORMANCE OF WORK FOR IBM. ALL QUESTIONS MUST BE REFERRED TO THE IBM PURCHASING DEPARTMENT.				IBM CONFIDENTIAL	



REL	DATE	EC NO.	PART NO.
	11/20/03	J18446A	93P4053
			DEVELOPMENT NO.
			Q/M
			60 / 82

TCPA TABLE

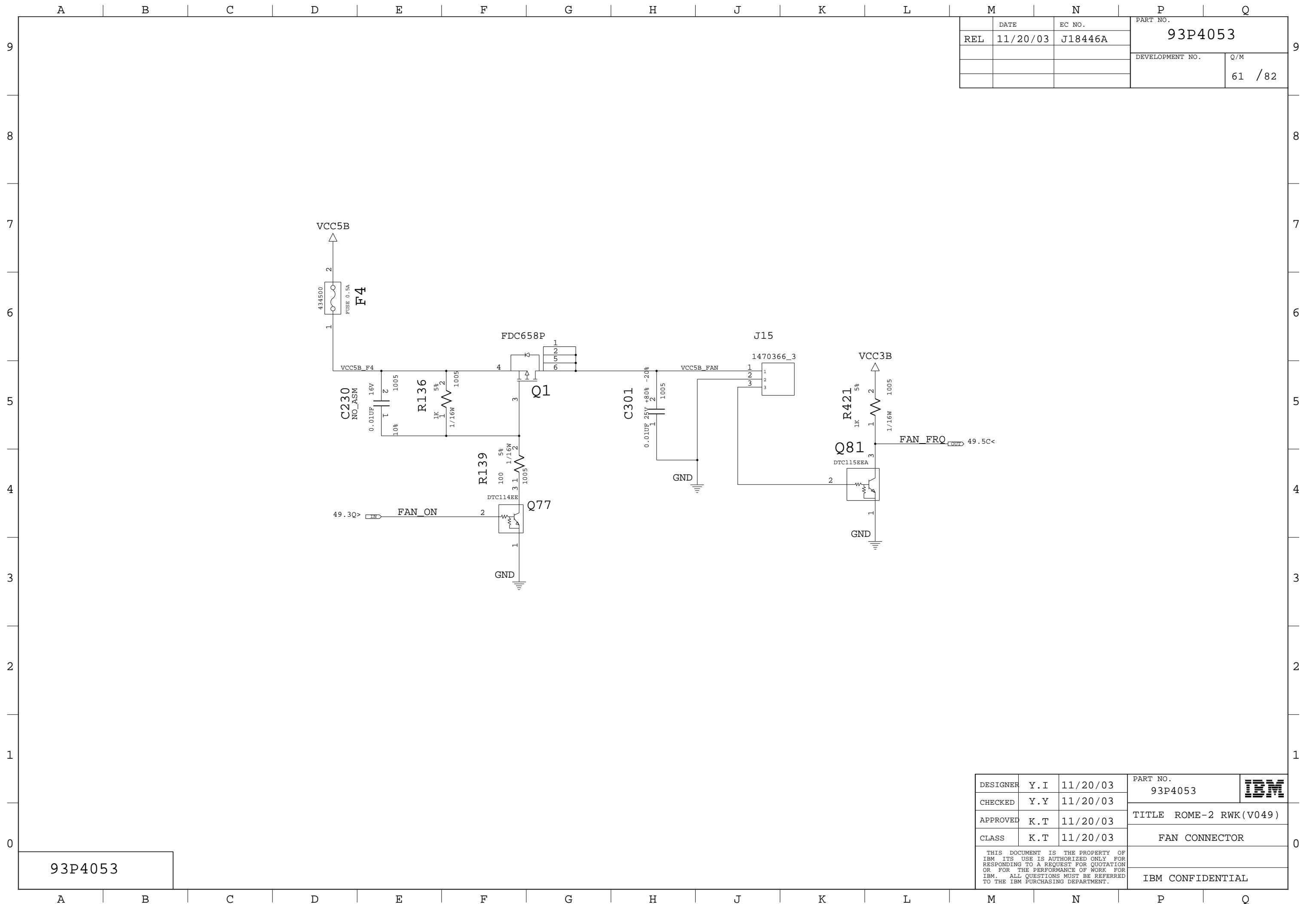
	YES	NO
U18	ASM	NO-ASM
C535	ASM	NO-ASM
C536	ASM	NO-ASM
R402	ASM	NO-ASM
R44	ASM	NO-ASM
R988	NO-ASM	NO-ASM

LOGIC

W/TCPA : ASM EXCEPT R988
W/O TPCA : NOASM ALL

93P4053

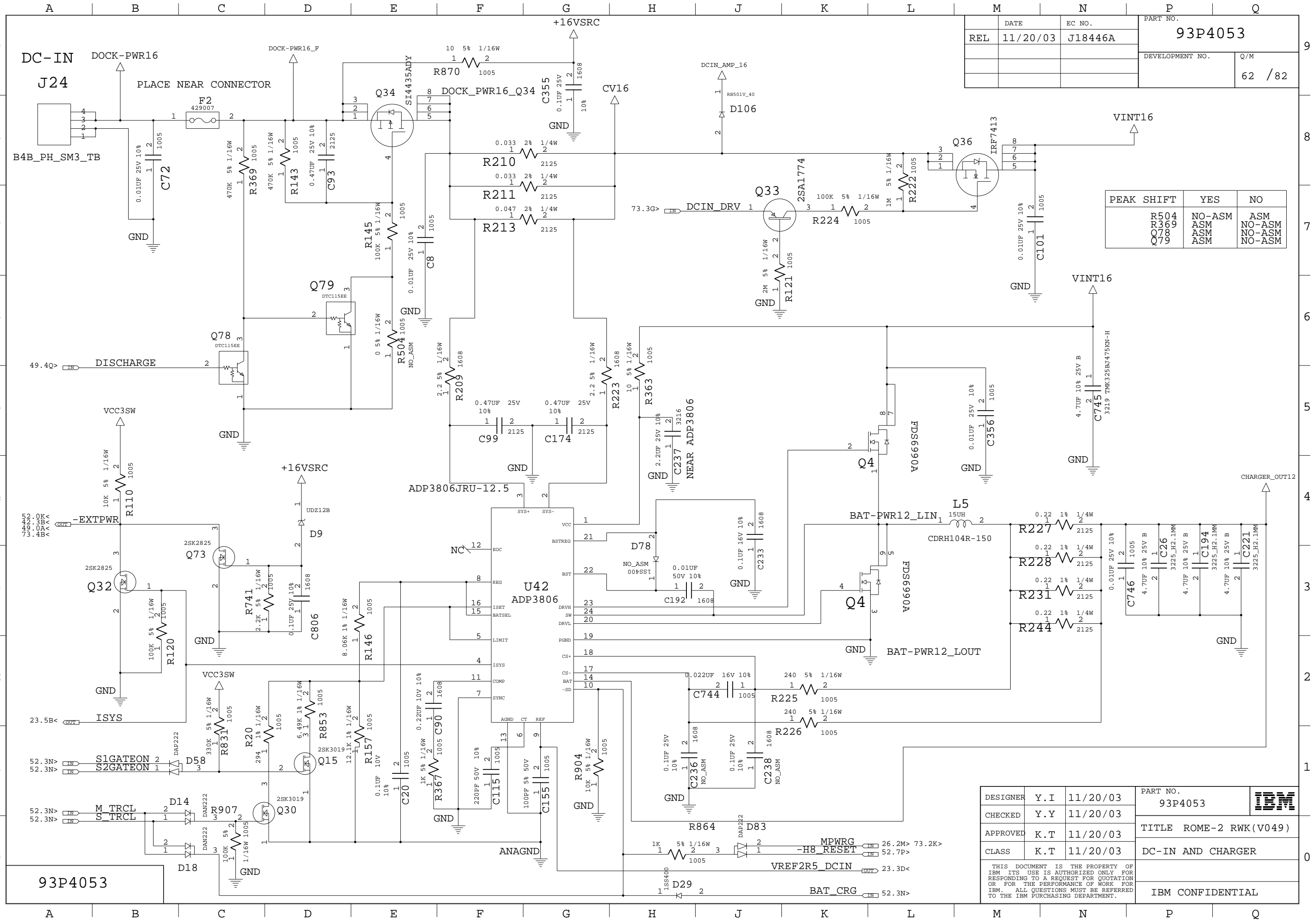
DESIGNER	Y.I	11/20/03	PART NO.	93P4053	
CHECKED	Y.Y	11/20/03	TITLE	ROME-2 RWK(V049)	
APPROVED	K.T	11/20/03	CLASS	I2CBUS/SMBUS/CRYPT	THIS DOCUMENT IS THE PROPERTY OF IBM ITS USE IS AUTHORIZED ONLY FOR RESPONDING TO A REQUEST FOR QUOTATION OR FOR THE PERFORMANCE OF WORK FOR IBM. ALL QUESTIONS MUST BE REFERRED TO THE IBM PURCHASING DEPARTMENT.
				IBM CONFIDENTIAL	



	DATE	EC NO.	PART NO.	
REL	11/20/03	J18446A	93P4053	
			DEVELOPMENT NO.	Q/M
				61 / 82

93P4053

DESIGNER	Y. I	11/20/03	PART NO.	93P4053	
CHECKED	Y. Y	11/20/03	TITLE		
APPROVED	K. T	11/20/03	FAN CONNECTOR		
CLASS	K. T	11/20/03	IBM CONFIDENTIAL		
<small>THIS DOCUMENT IS THE PROPERTY OF IBM. ITS USE IS AUTHORIZED ONLY FOR RESPONDING TO A REQUEST FOR QUOTATION OR FOR THE PERFORMANCE OF WORK FOR IBM. ALL QUESTIONS MUST BE REFERRED TO THE IBM PURCHASING DEPARTMENT.</small>					

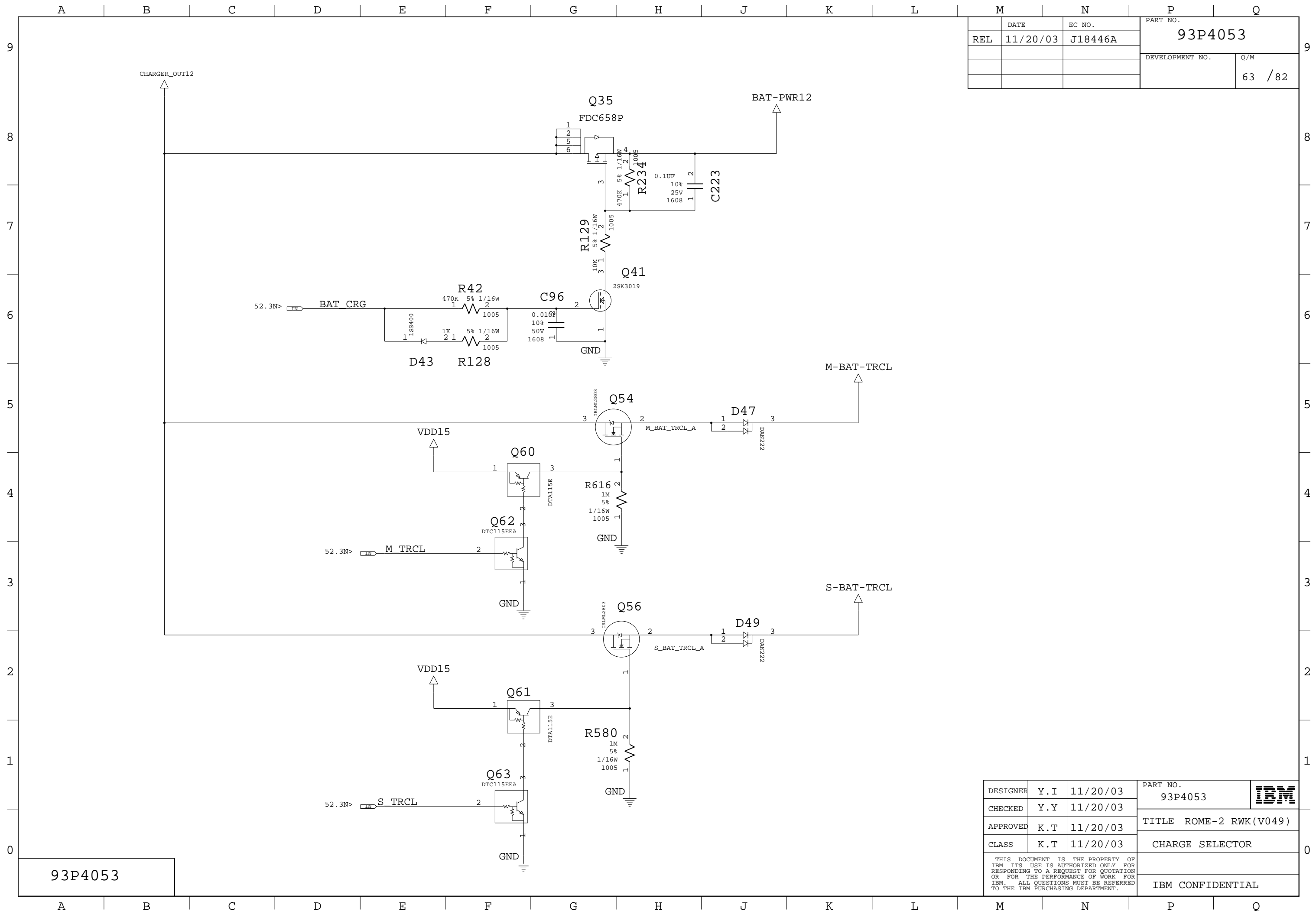


REL	DATE	EC NO.	PART NO.
	11/20/03	J18446A	93P4053
			DEVELOPMENT NO.
			Q/M
			62 / 82

PEAK SHIFT	YES	NO
R504	NO-ASM	ASM
R369	ASM	NO-ASM
Q78	ASM	NO-ASM
Q79	ASM	NO-ASM

DESIGNER	Y.I	11/20/03	PART NO.	93P4053	
CHECKED	Y.Y	11/20/03			
APPROVED	K.T	11/20/03	TITLE	ROME-2 RWK (V049)	
CLASS	K.T	11/20/03	DC-IN AND CHARGER		
THIS DOCUMENT IS THE PROPERTY OF IBM ITS USE IS AUTHORIZED ONLY FOR RESPONDING TO A REQUEST FOR QUOTATION OR FOR THE PERFORMANCE OF WORK FOR IBM. ALL QUESTIONS MUST BE REFERRED TO THE IBM PURCHASING DEPARTMENT.				IBM CONFIDENTIAL	

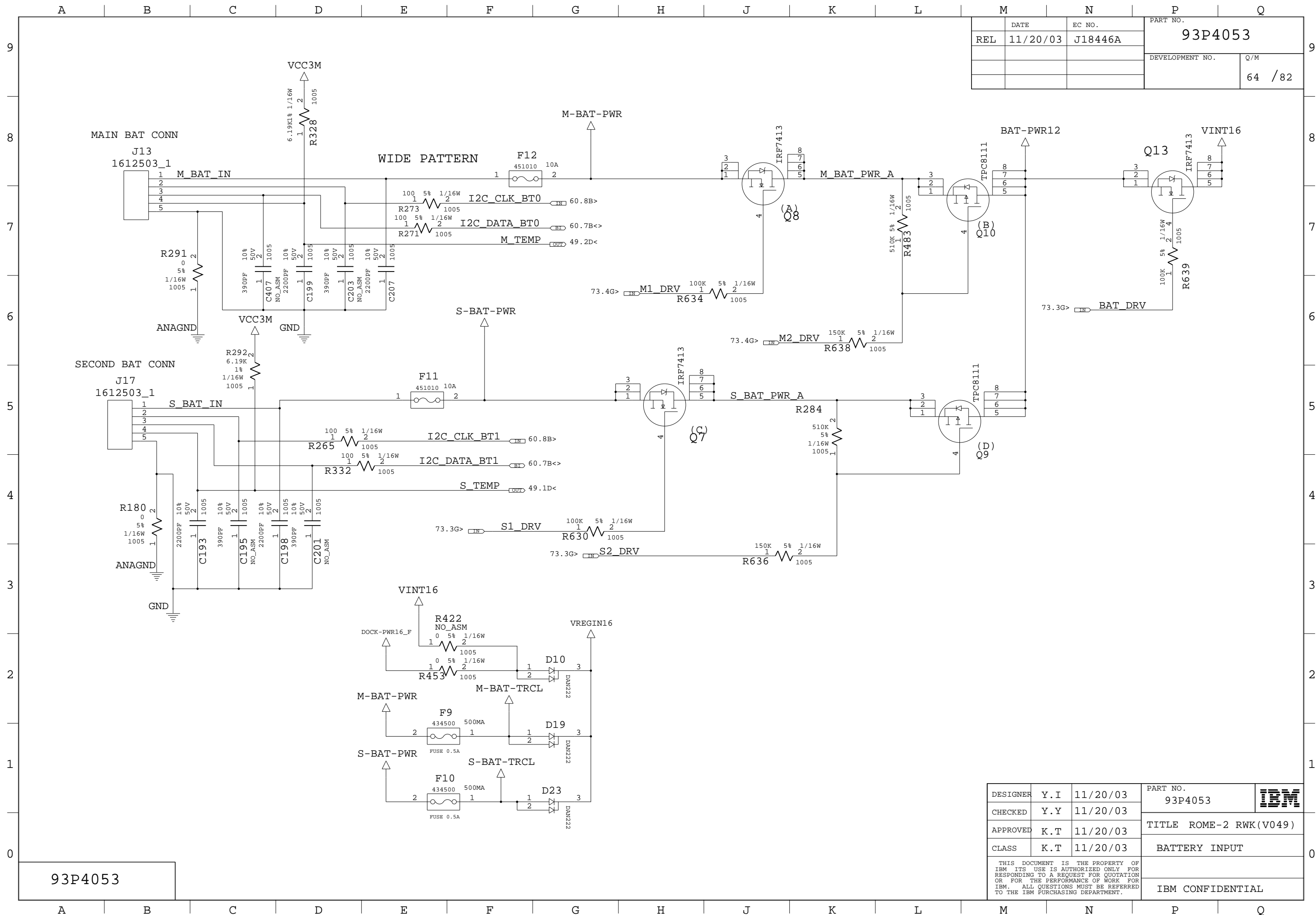
93P4053



	DATE	EC NO.	PART NO.	
REL	11/20/03	J18446A	93P4053	
			DEVELOPMENT NO.	Q/M
				63 / 82

93P4053

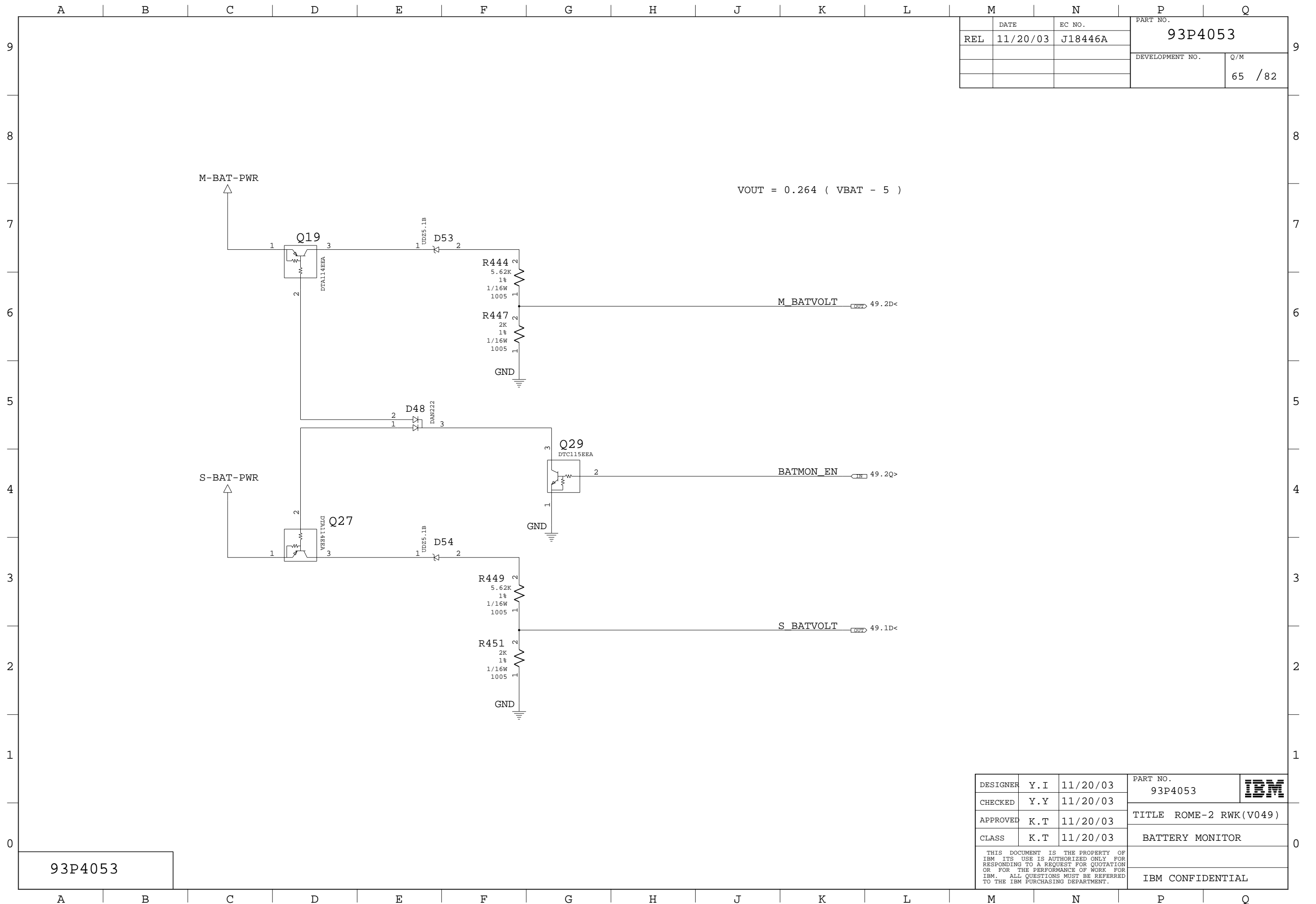
DESIGNER	Y. I	11/20/03	PART NO.	93P4053		
CHECKED	Y. Y	11/20/03	TITLE			ROME-2 RWK(V049)
APPROVED	K. T	11/20/03	CLASS	K. T	11/20/03	CHARGE SELECTOR
THIS DOCUMENT IS THE PROPERTY OF IBM. ITS USE IS AUTHORIZED ONLY FOR RESPONDING TO A REQUEST FOR QUOTATION OR FOR THE PERFORMANCE OF WORK FOR IBM. ALL QUESTIONS MUST BE REFERRED TO THE IBM PURCHASING DEPARTMENT.					IBM CONFIDENTIAL	



REL	DATE	EC NO.	PART NO.
	11/20/03	J18446A	93P4053
			DEVELOPMENT NO.
			Q/M
			64 / 82

93P4053

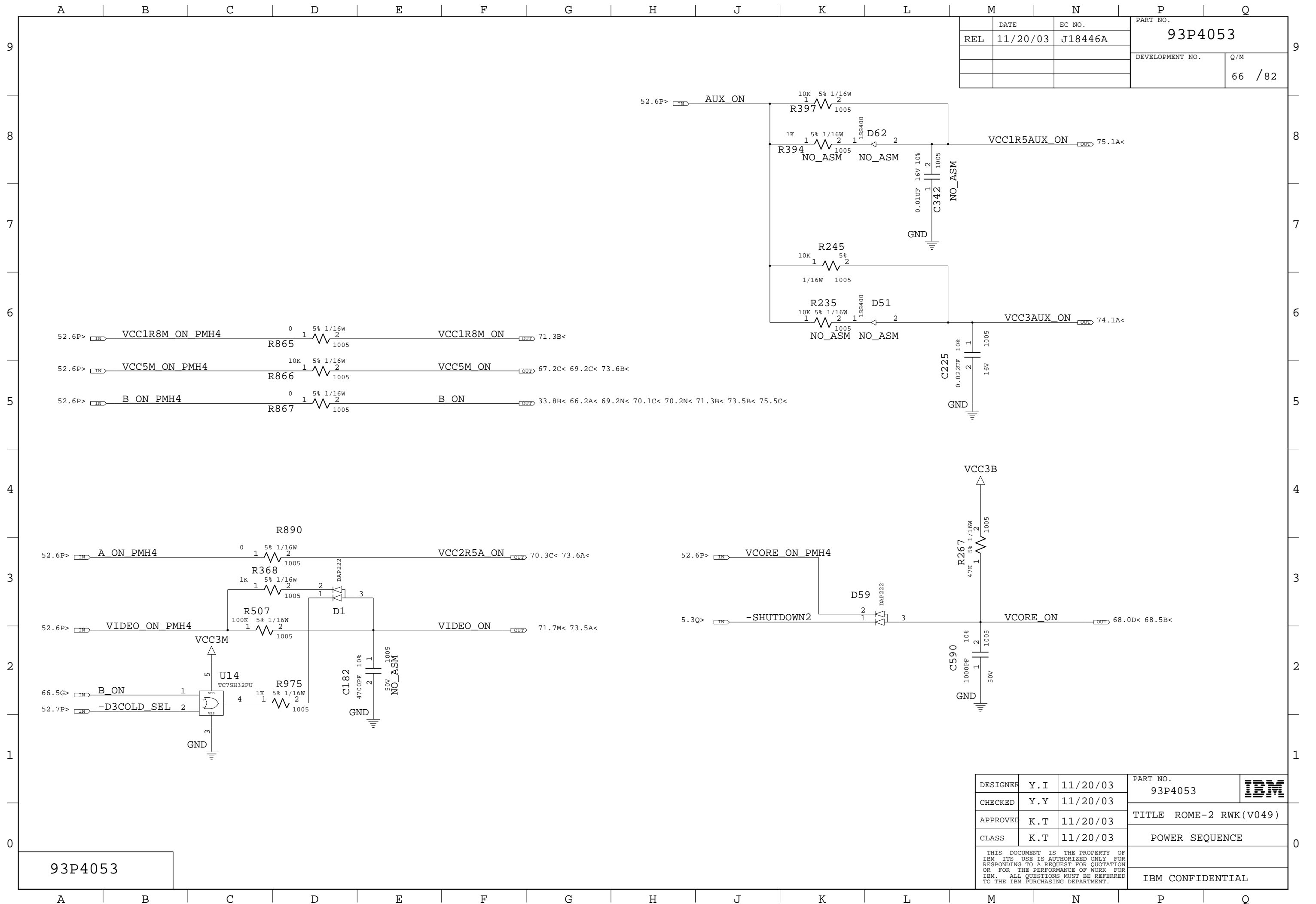
DESIGNER	Y.I	11/20/03	PART NO.	93P4053	IBM
CHECKED	Y.Y	11/20/03	TITLE		
APPROVED	K.T	11/20/03	CLASS	BATTERY INPUT	
THIS DOCUMENT IS THE PROPERTY OF IBM. ITS USE IS AUTHORIZED ONLY FOR RESPONDING TO A REQUEST FOR QUOTATION OR FOR THE PERFORMANCE OF WORK FOR IBM. ALL QUESTIONS MUST BE REFERRED TO THE IBM PURCHASING DEPARTMENT.				IBM CONFIDENTIAL	



	DATE	EC NO.	PART NO.	
REL	11/20/03	J18446A	93P4053	
			DEVELOPMENT NO.	Q/M
				65 /82

93P4053

DESIGNER	Y. I	11/20/03	PART NO.	93P4053	IBM
CHECKED	Y. Y	11/20/03			
APPROVED	K. T	11/20/03	TITLE ROME-2 RWK(V049)		
CLASS	K. T	11/20/03	BATTERY MONITOR		
THIS DOCUMENT IS THE PROPERTY OF IBM ITS USE IS AUTHORIZED ONLY FOR RESPONDING TO A REQUEST FOR QUOTATION OR FOR THE PERFORMANCE OF WORK FOR IBM. ALL QUESTIONS MUST BE REFERRED TO THE IBM PURCHASING DEPARTMENT.				IBM CONFIDENTIAL	



	DATE	EC NO.	PART NO.	
REL	11/20/03	J18446A	93P4053	
			DEVELOPMENT NO.	Q/M
				66 / 82

93P4053

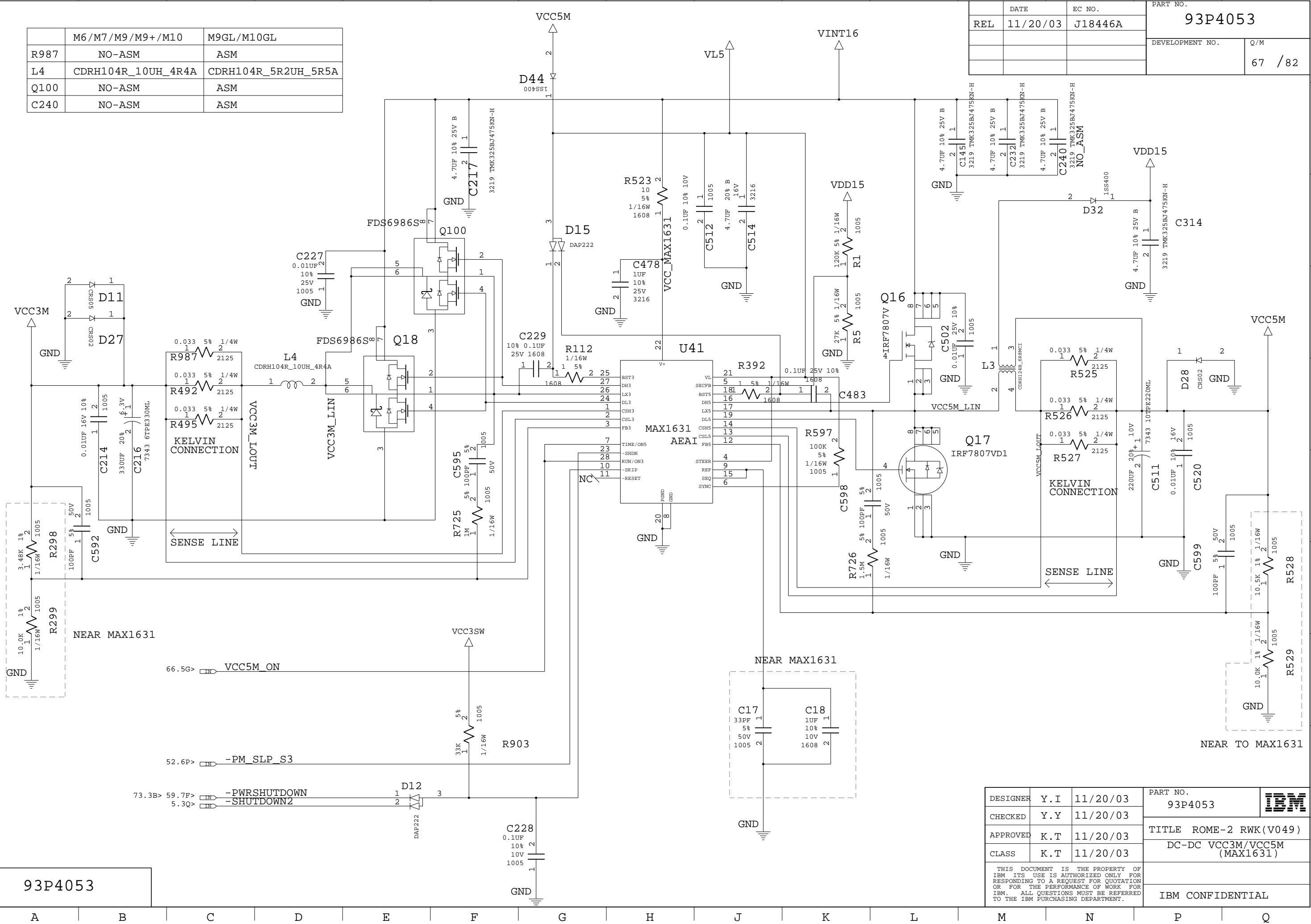
DESIGNER	Y.I	11/20/03	PART NO.	93P4053	IBM
CHECKED	Y.Y	11/20/03	TITLE		
APPROVED	K.T	11/20/03	CLASS	POWER SEQUENCE	
			THIS DOCUMENT IS THE PROPERTY OF IBM. ITS USE IS AUTHORIZED ONLY FOR RESPONDING TO A REQUEST FOR QUOTATION OR FOR THE PERFORMANCE OF WORK FOR IBM. ALL QUESTIONS MUST BE REFERRED TO THE IBM PURCHASING DEPARTMENT.		
			IBM CONFIDENTIAL		

	M6/M7/M9/M9+/M10	M9GL/M10GL
R987	NO-ASM	ASM
L4	CDRH104R_10UH_4R4A	CDRH104R_5R2UH_5R5A
Q100	NO-ASM	ASM
C240	NO-ASM	ASM

REL	DATE	EC NO.	PART NO.
	11/20/03	J18446A	93P4053
			DEVELOPMENT NO.
			Q/M
			67 / 82

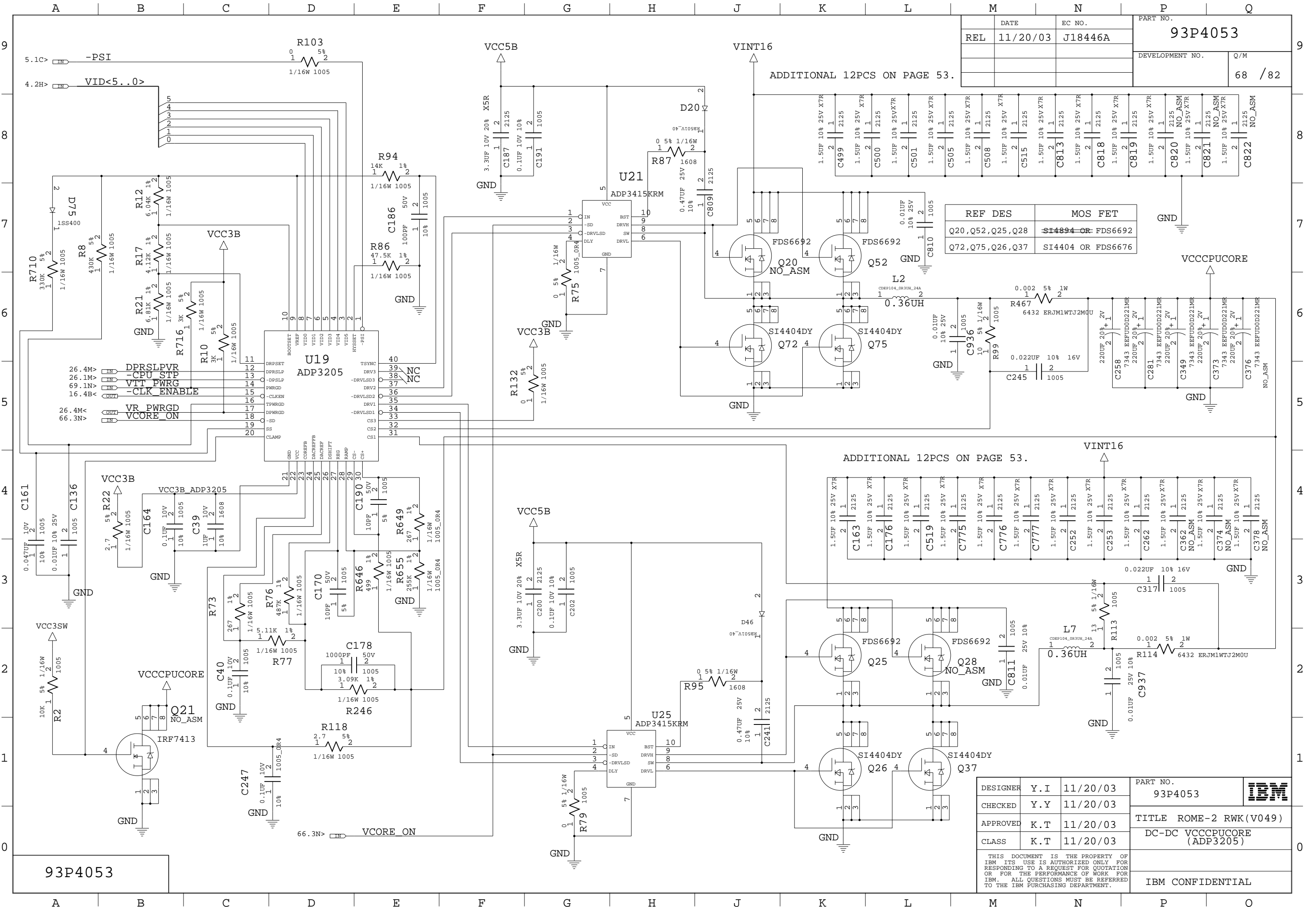
9
8
7
6
5
4
3
2
1
0

9
8
7
6
5
4
3
2
1
0



93P4053

DESIGNER	Y.I	11/20/03	PART NO.	93P4053	
CHECKED	Y.Y	11/20/03	TITLE ROME-2 RWK (V049)		
APPROVED	K.T	11/20/03	DC-DC VCC3M/VCC5M (MAX1631)		IBM CONFIDENTIAL
CLASS	K.T	11/20/03	THIS DOCUMENT IS THE PROPERTY OF IBM ITS USE IS AUTHORIZED ONLY FOR RESPONDING TO A REQUEST FOR QUOTATION OR FOR THE PERFORMANCE OF WORK FOR IBM. ALL QUESTIONS MUST BE REFERRED TO THE IBM PURCHASING DEPARTMENT.		



REL	DATE	EC NO.	PART NO.
	11/20/03	J18446A	93P4053
			DEVELOPMENT NO.
			Q/M
			68 / 82

ADDITIONAL 12PCS ON PAGE 53.

REF DES	MOS FET
Q20, Q52, Q25, Q28	SI4894 OR FDS6692
Q72, Q75, Q26, Q37	SI4404 OR FDS6676

VCCCPUCORE

ADDITIONAL 12PCS ON PAGE 53.

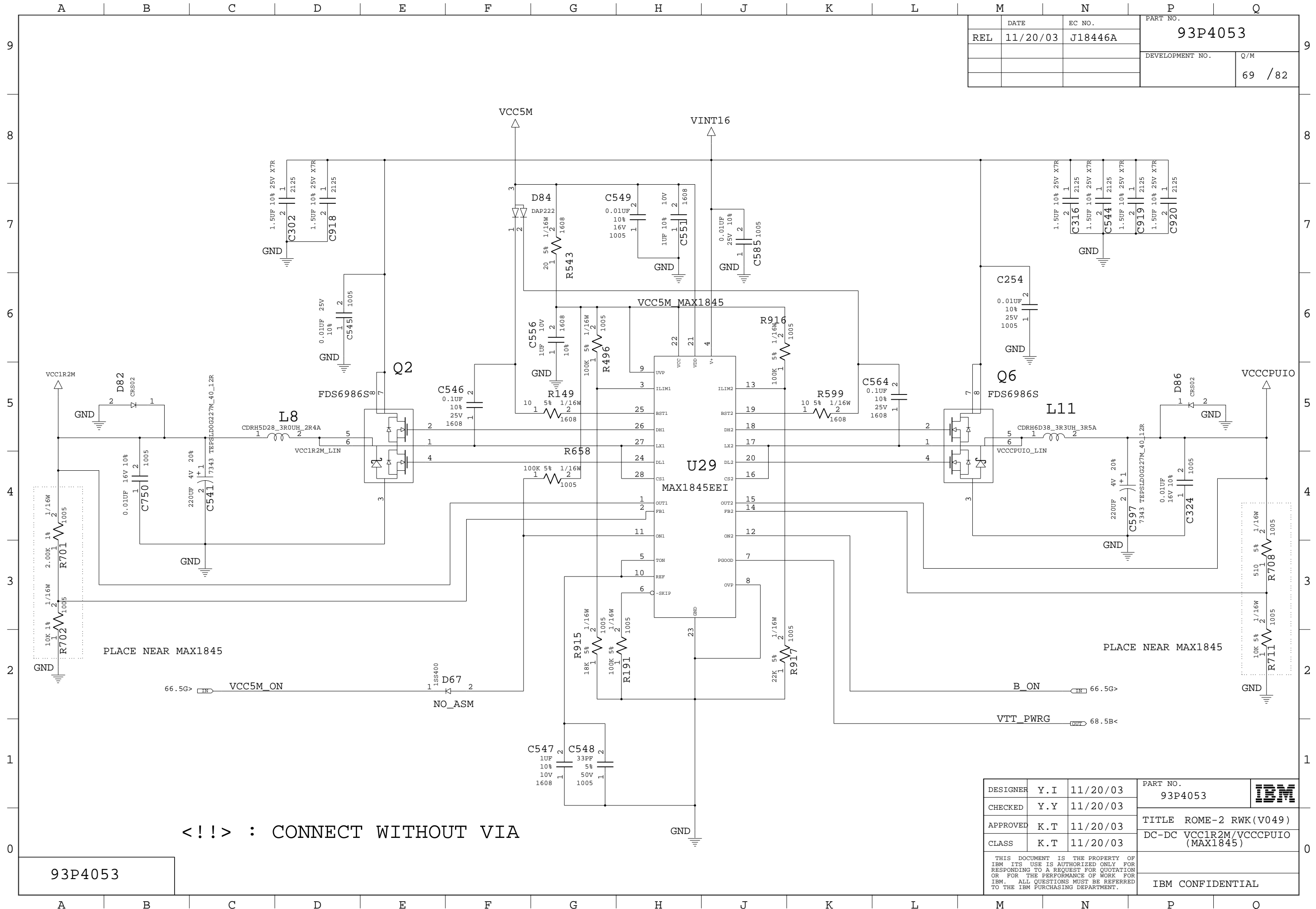
DESIGNER	Y. I	11/20/03	PART NO.	93P4053
CHECKED	Y. Y	11/20/03	TITLE ROME-2 RWK (V049) DC-DC VCCCPUCORE (ADP3205)	
APPROVED	K. T	11/20/03		
CLASS	K. T	11/20/03		

THIS DOCUMENT IS THE PROPERTY OF IBM. ITS USE IS AUTHORIZED ONLY FOR RESPONDING TO A REQUEST FOR QUOTATION OR FOR THE PERFORMANCE OF WORK FOR IBM. ALL QUESTIONS MUST BE REFERRED TO THE IBM PURCHASING DEPARTMENT.

IBM CONFIDENTIAL

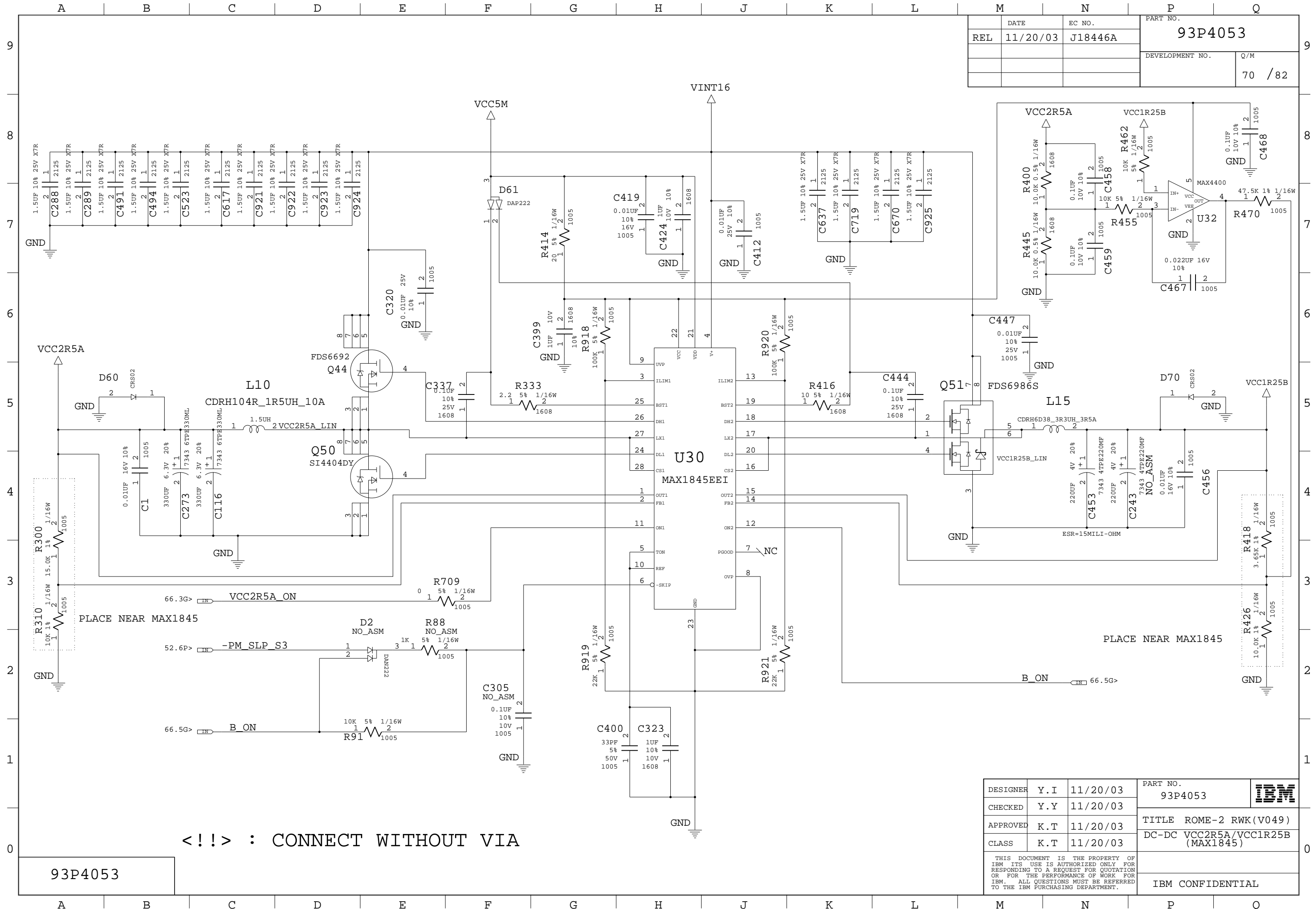
93P4053

REL	DATE	EC NO.	PART NO.
	11/20/03	J18446A	93P4053
			DEVELOPMENT NO.
			Q/M
			69 / 82



93P4053

DESIGNER	Y. I	11/20/03	PART NO.	93P4053	
CHECKED	Y. Y	11/20/03	TITLE		
APPROVED	K. T	11/20/03	CLASS	DC-DC VCC1R2M/VCCCPUIO (MAX1845)	
					IBM CONFIDENTIAL



REL	DATE	EC NO.	PART NO.
	11/20/03	J18446A	93P4053
			DEVELOPMENT NO.
			Q/M
			70 / 82

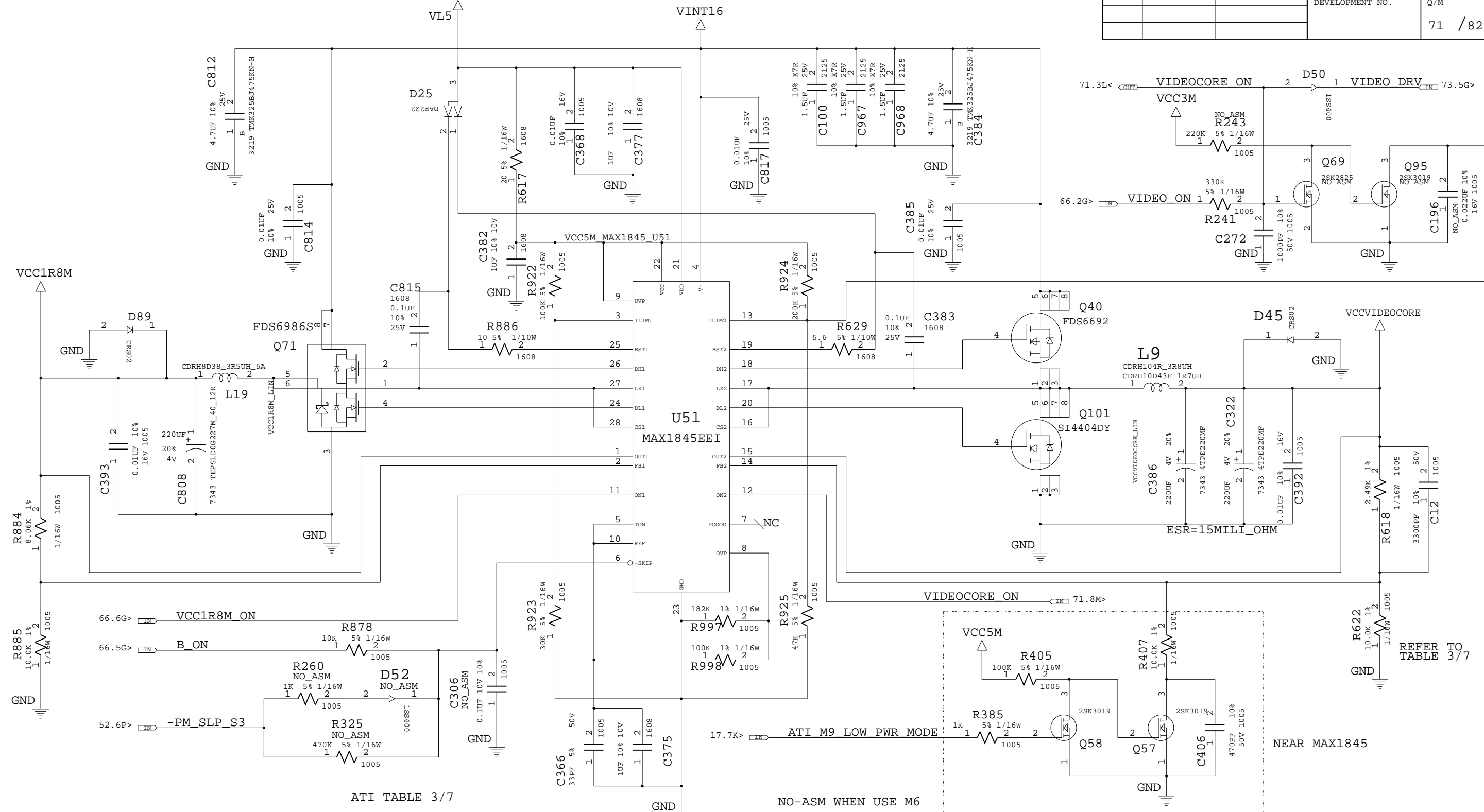
DESIGNER	Y. I	11/20/03	PART NO.	93P4053	
CHECKED	Y. Y	11/20/03	TITLE		
APPROVED	K. T	11/20/03	CLASS	DC-DC VCC2R5A/VCC1R25B (MAX1845)	
					IBM CONFIDENTIAL

93P4053

<!!> : CONNECT WITHOUT VIA

THIS DOCUMENT IS THE PROPERTY OF IBM ITS USE IS AUTHORIZED ONLY FOR RESPONDING TO A REQUEST FOR QUOTATION OR FOR THE PERFORMANCE OF WORK FOR IBM. ALL QUESTIONS MUST BE REFERRED TO THE IBM PURCHASING DEPARTMENT.

REL	DATE	EC NO.	PART NO.
	11/20/03	J18446A	93P4053
			DEVELOPMENT NO.
			Q/M
			71 / 82



	M10	OTHERS
L9	CDRH10D43F_1R7UH	CDRH104R_3R8UH
C100	ASM	NO-ASM
C967	ASM	NO-ASM
C968	ASM	NO-ASM
C322	ASM	NO-ASM
R622	2.2	5.6
R925	47K	20K

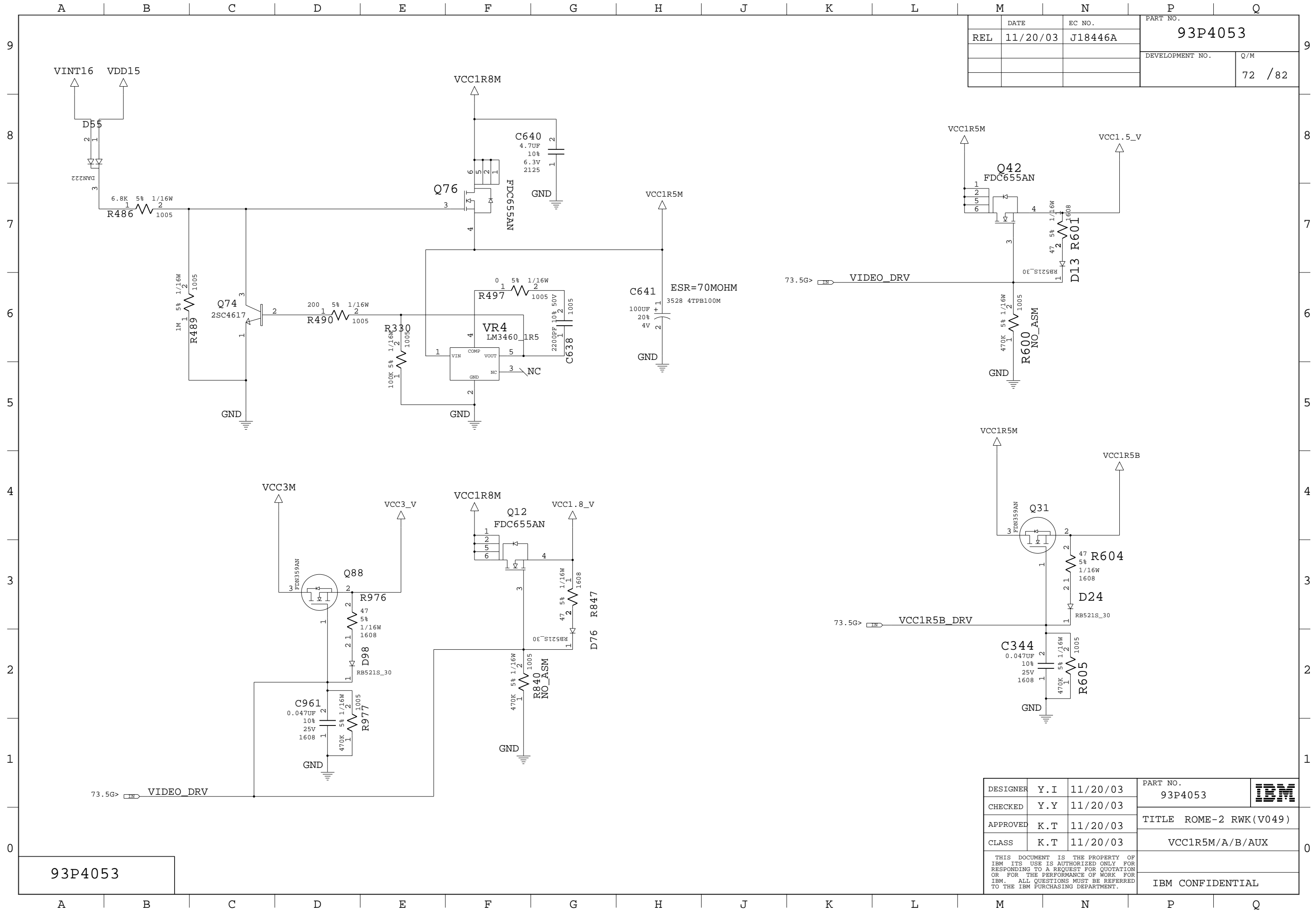
	M6	M7	M9/M9+	M10
R405	NO-ASM	ASM	ASM	ASM
Q58	NO-ASM	ASM	ASM	ASM
R385	NO-ASM	ASM	ASM	ASM
Q57	NO-ASM	ASM	ASM	ASM
C406	NO-ASM	ASM	ASM	ASM
R618	8.06K	2.49K	2.49K	2.00K
R622	10.0K	10.0K	10.0K	NO-ASM

LOGIC

93P4053

DESIGNER	Y.I	11/20/03	PART NO.	93P4053	
CHECKED	Y.Y	11/20/03	TITLE ROME-2 RWK(V049)		
APPROVED	K.T	11/20/03	DC-DC VCC1R8M/ VCCVIDEOCORE (MAX1844)		
CLASS	K.T	11/20/03	IBM CONFIDENTIAL		

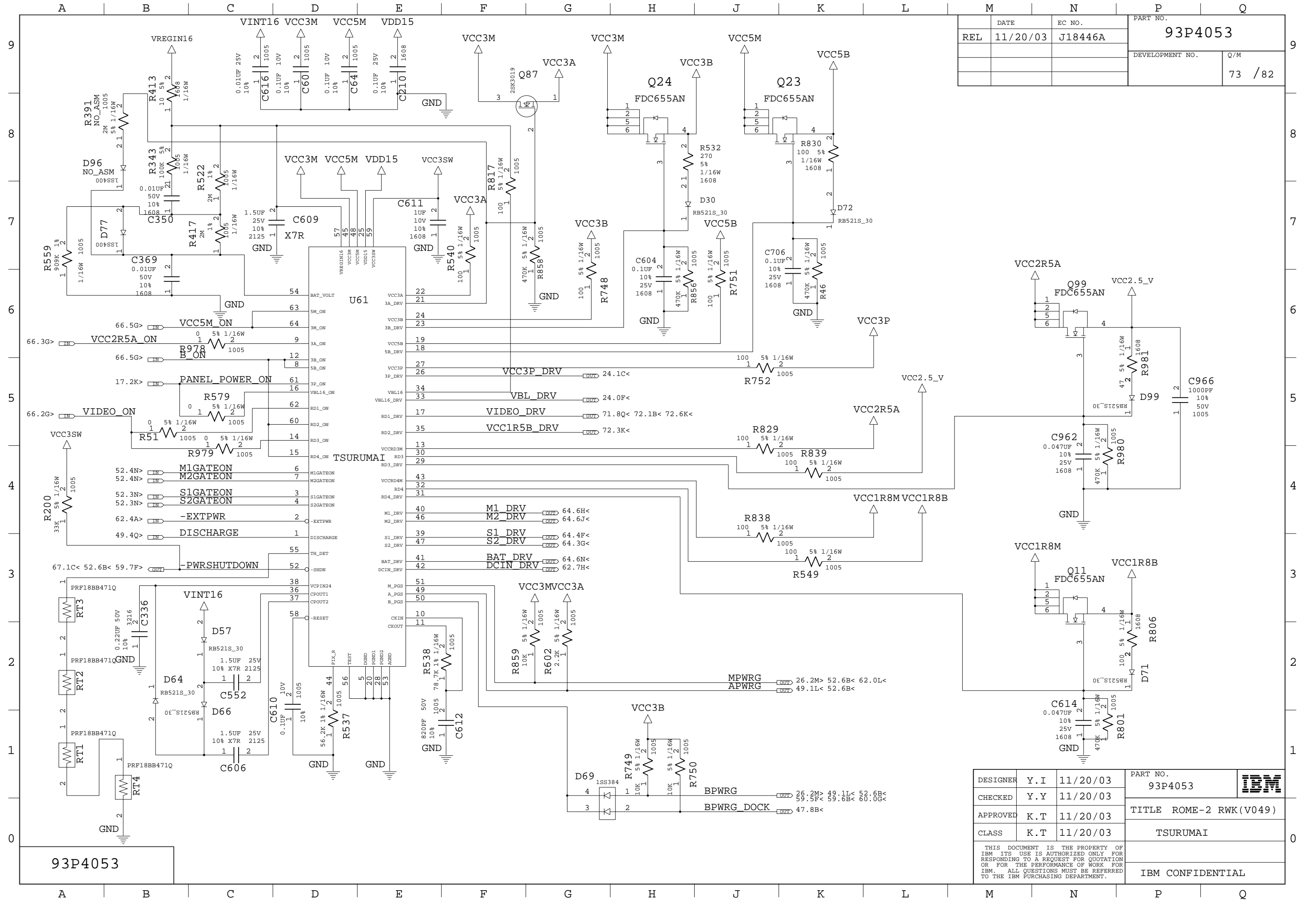
THIS DOCUMENT IS THE PROPERTY OF IBM ITS USE IS AUTHORIZED ONLY FOR RESPONDING TO A REQUEST FOR QUOTATION OR FOR THE PERFORMANCE OF WORK FOR IBM. ALL QUESTIONS MUST BE REFERRED TO THE IBM PURCHASING DEPARTMENT.



REL	DATE	EC NO.	PART NO.	
	11/20/03	J18446A	93P4053	
			DEVELOPMENT NO.	Q/M
				72 / 82

93P4053

DESIGNER	Y. I	11/20/03	PART NO.	93P4053	IBM
CHECKED	Y. Y	11/20/03	TITLE		
APPROVED	K. T	11/20/03	CLASS	VCC1R5M/A/B/AUX	
THIS DOCUMENT IS THE PROPERTY OF IBM. ITS USE IS AUTHORIZED ONLY FOR RESPONDING TO A REQUEST FOR QUOTATION OR FOR THE PERFORMANCE OF WORK FOR IBM. ALL QUESTIONS MUST BE REFERRED TO THE IBM PURCHASING DEPARTMENT.					IBM CONFIDENTIAL

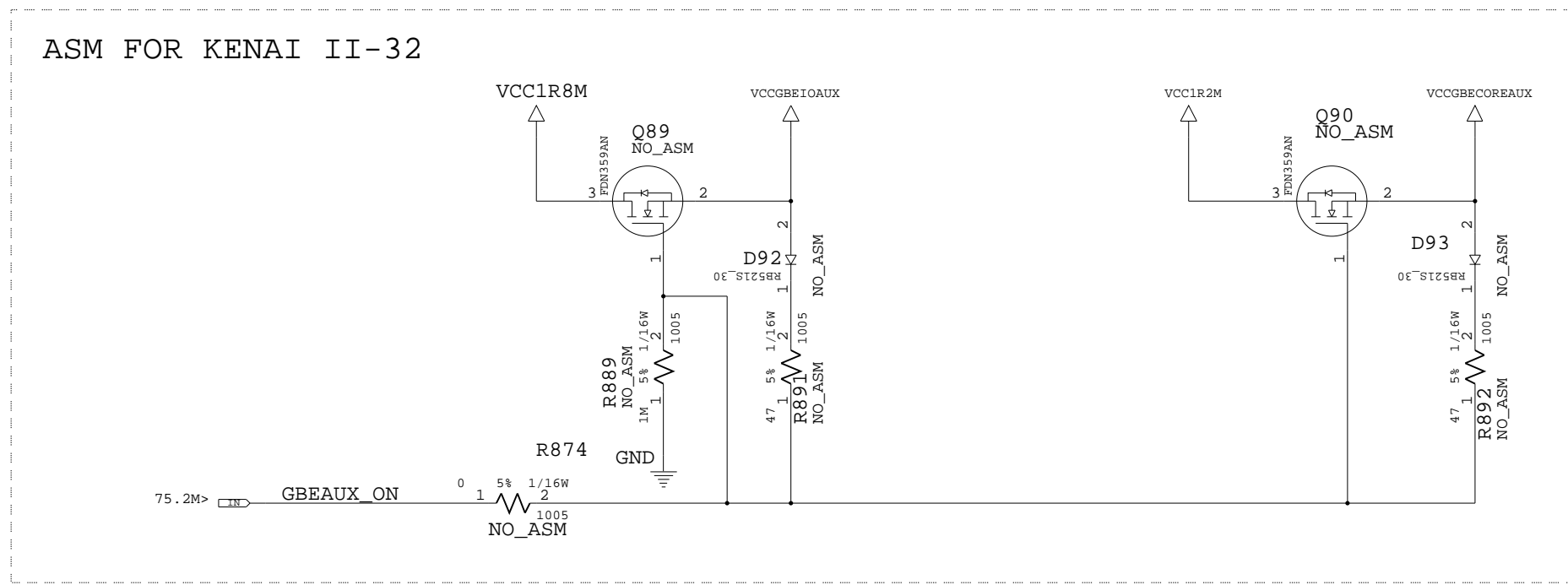


REL	DATE	EC NO.	PART NO.
	11/20/03	J18446A	93P4053
			DEVELOPMENT NO.
			Q/M
			73 / 82

93P4053

DESIGNER	Y. I	11/20/03	PART NO.	93P4053	IBM
CHECKED	Y. Y	11/20/03	TITLE		
APPROVED	K. T	11/20/03		TSURUMAI	
CLASS	K. T	11/20/03			
THIS DOCUMENT IS THE PROPERTY OF IBM. ITS USE IS AUTHORIZED ONLY FOR RESPONDING TO A REQUEST FOR QUOTATION OR FOR THE PERFORMANCE OF WORK FOR IBM. ALL QUESTIONS MUST BE REFERRED TO THE IBM PURCHASING DEPARTMENT.					IBM CONFIDENTIAL

	DATE	EC NO.	PART NO.	
REL	11/20/03	J18446A	93P4053	
			DEVELOPMENT NO.	Q/M
				74 / 82

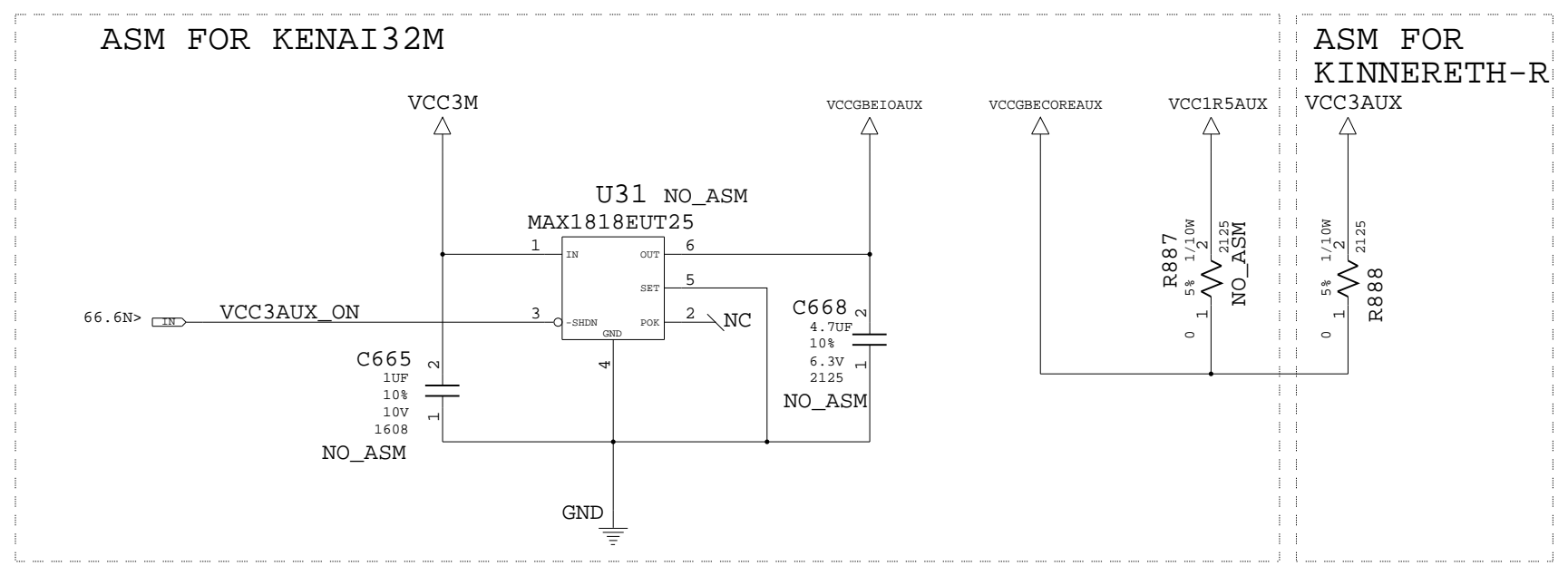


	KENAI32	KINNERETH-R	KENAI2-32
VCCGBECOREAUX	1.5V	3.3V	1.2V
VCCGBIOAUX	2.5V	N.C.	1.8V

ETHERNET TABLE (5/5)

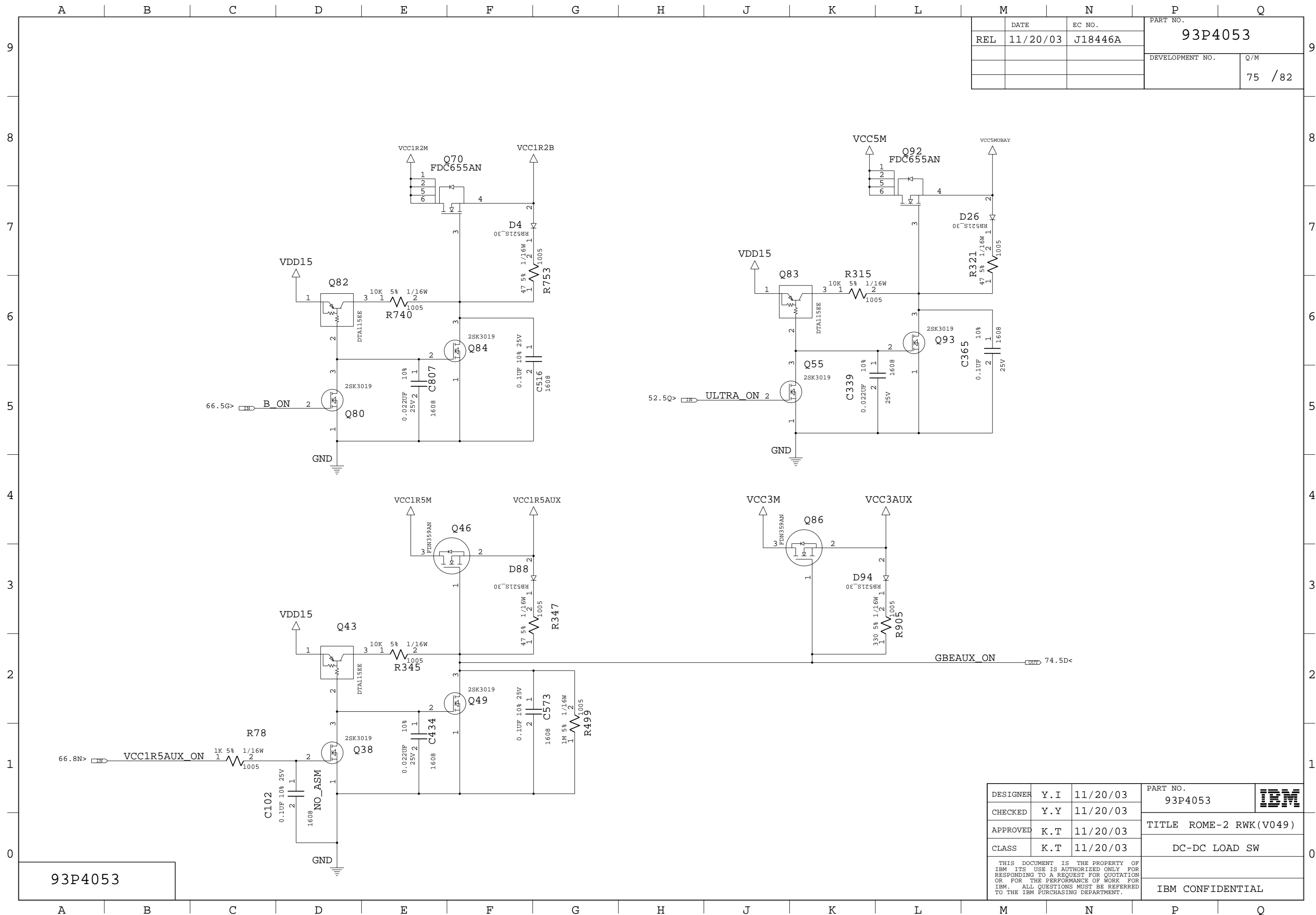
		KENNERETH-R	KENAI2-32	KENAI32M
2.5V	U31	NO-ASM	NO-ASM	ASM
	C665	NO-ASM	NO-ASM	ASM
	C668	NO-ASM	NO-ASM	ASM
1.5V	R887	NO-ASM	NO-ASM	ASM
3.3V	R888	ASM	NO-ASM	NO-ASM
1.2V	Q89	NO-ASM	ASM	NO-ASM
	R874	NO-ASM	ASM	NO-ASM
	R889	NO-ASM	ASM	NO-ASM
	R891	NO-ASM	ASM	NO-ASM
	D92	NO-ASM	ASM	NO-ASM
1.8V	Q90	NO-ASM	ASM	NO-ASM
	R892	NO-ASM	ASM	NO-ASM
	D93	NO-ASM	ASM	NO-ASM

LOGIC



93P4053

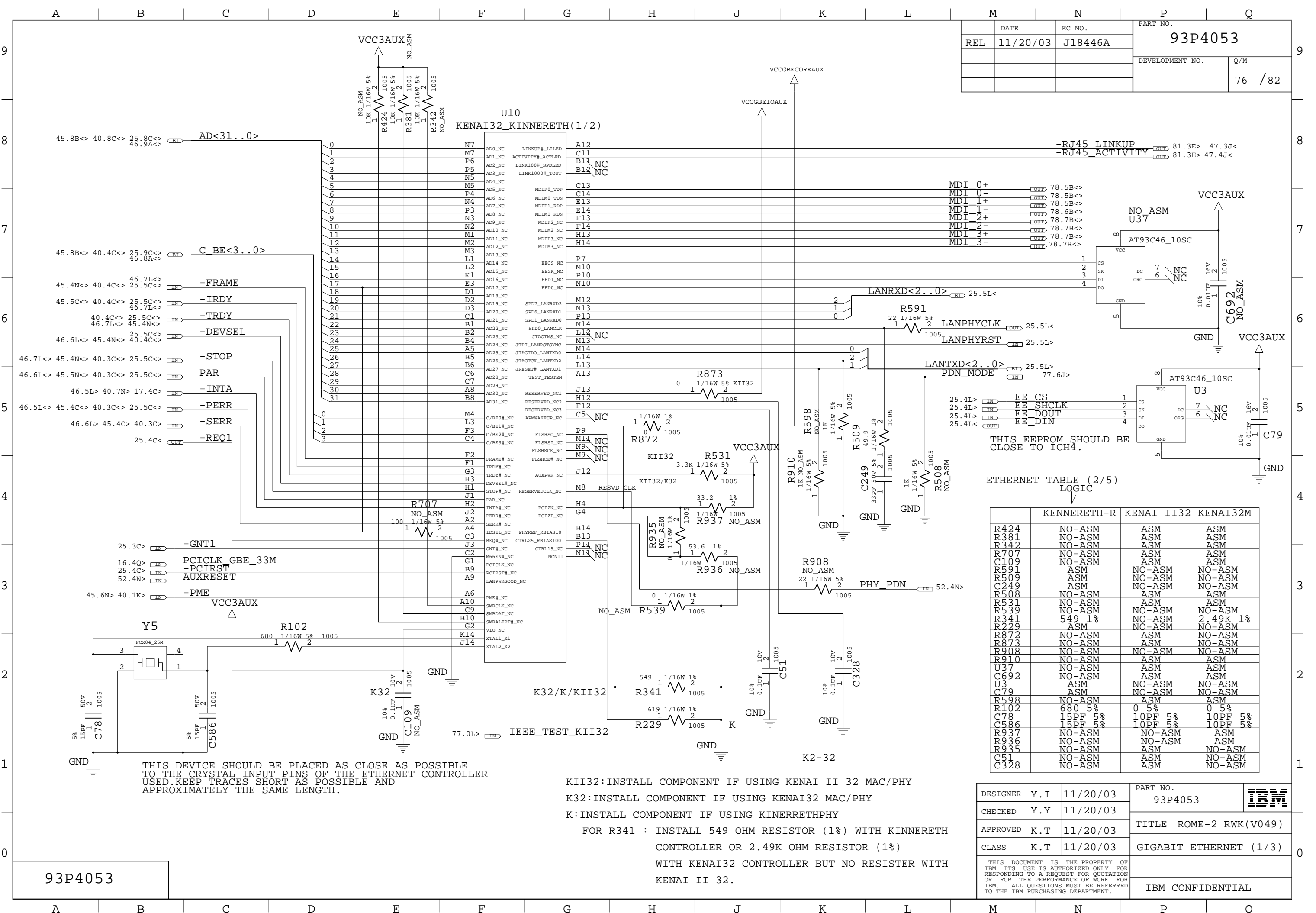
DESIGNER	Y. I	11/20/03	PART NO.	93P4053	
CHECKED	Y. Y	11/20/03	TITLE ROME-2 RWK(V049)		
APPROVED	K. T	11/20/03	DC-DC VCC2R5AUX, LOAD SW		
CLASS	K. T	11/20/03	THIS DOCUMENT IS THE PROPERTY OF IBM. ITS USE IS AUTHORIZED ONLY FOR RESPONDING TO A REQUEST FOR QUOTATION OR FOR THE PERFORMANCE OF WORK FOR IBM. ALL QUESTIONS MUST BE REFERRED TO THE IBM PURCHASING DEPARTMENT.		IBM CONFIDENTIAL



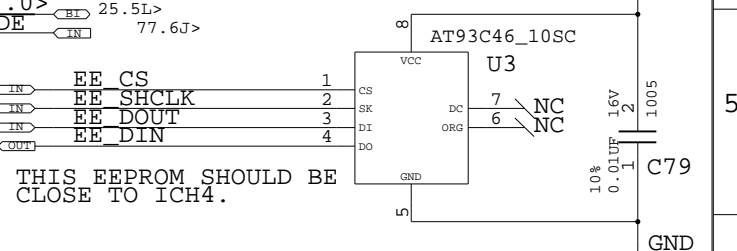
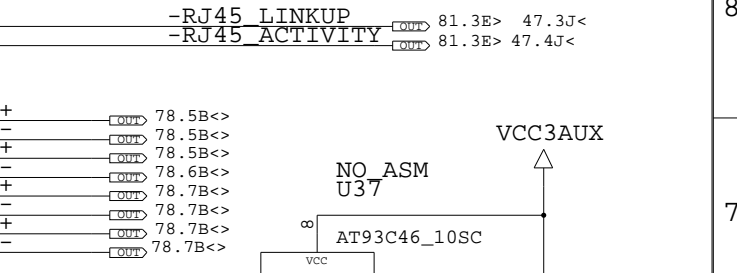
	DATE	EC NO.	PART NO.	
REL	11/20/03	J18446A	93P4053	
			DEVELOPMENT NO.	Q/M
				75 / 82

93P4053

DESIGNER	Y. I	11/20/03	PART NO.	93P4053	
CHECKED	Y. Y	11/20/03	TITLE		
APPROVED	K. T	11/20/03	CLASS	DC-DC LOAD SW	
THIS DOCUMENT IS THE PROPERTY OF IBM. ITS USE IS AUTHORIZED ONLY FOR RESPONDING TO A REQUEST FOR QUOTATION OR FOR THE PERFORMANCE OF WORK FOR IBM. ALL QUESTIONS MUST BE REFERRED TO THE IBM PURCHASING DEPARTMENT.					IBM CONFIDENTIAL



REL	DATE	EC NO.	PART NO.
	11/20/03	J18446A	93P4053
			DEVELOPMENT NO.
			Q/M
			76 / 82



ETHERNET TABLE (2/5)
LOGIC

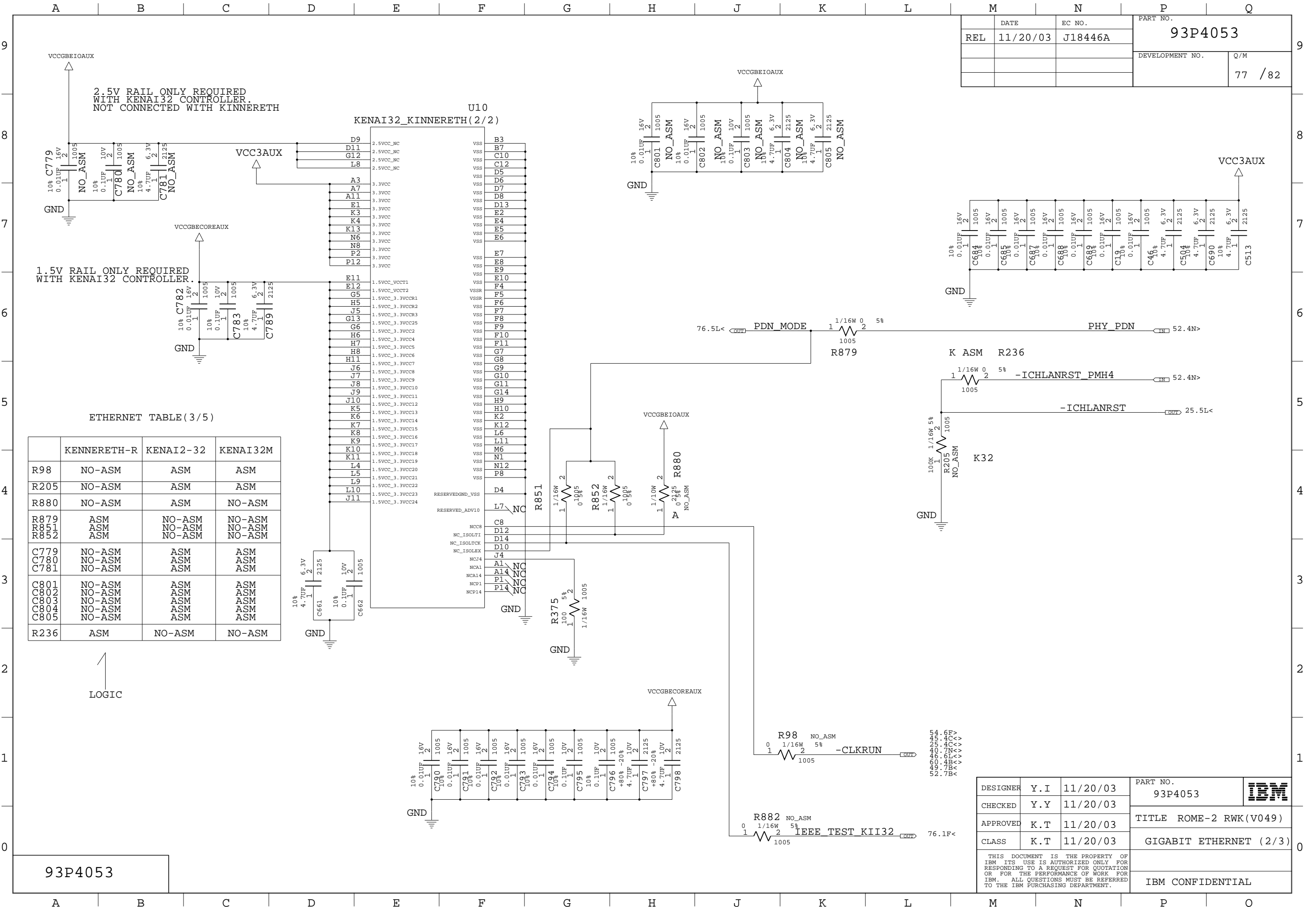
	KENNERETH-R	KENAI II32	KENAI32M
R424	NO-ASM	ASM	ASM
R381	NO-ASM	ASM	ASM
R342	NO-ASM	ASM	ASM
R707	NO-ASM	ASM	ASM
C109	NO-ASM	ASM	ASM
R591	ASM	NO-ASM	NO-ASM
R509	ASM	NO-ASM	NO-ASM
C249	ASM	NO-ASM	NO-ASM
R508	NO-ASM	ASM	ASM
R531	NO-ASM	ASM	ASM
R539	NO-ASM	NO-ASM	NO-ASM
R341	549 1%	NO-ASM	2.49K 1%
R229	ASM	NO-ASM	NO-ASM
R872	NO-ASM	ASM	NO-ASM
R873	NO-ASM	ASM	NO-ASM
R908	NO-ASM	NO-ASM	NO-ASM
R910	NO-ASM	ASM	ASM
U37	NO-ASM	ASM	ASM
C692	NO-ASM	ASM	ASM
U3	ASM	NO-ASM	NO-ASM
C79	ASM	NO-ASM	NO-ASM
R598	NO-ASM	ASM	ASM
R102	680 5%	0 5%	0 5%
C78	15PF 5%	10PF 5%	10PF 5%
C586	15PF 5%	10PF 5%	10PF 5%
R937	NO-ASM	NO-ASM	ASM
R936	NO-ASM	NO-ASM	ASM
R935	NO-ASM	ASM	NO-ASM
C51	NO-ASM	ASM	NO-ASM
C328	NO-ASM	ASM	NO-ASM

KII32:INSTALL COMPONENT IF USING KENAI II 32 MAC/PHY
 K32:INSTALL COMPONENT IF USING KENAI32 MAC/PHY
 K:INSTALL COMPONENT IF USING KINNERETHPHY
 FOR R341 : INSTALL 549 OHM RESISTOR (1%) WITH KINNERETH CONTROLLER OR 2.49K OHM RESISTOR (1%) WITH KENAI32 CONTROLLER BUT NO RESISTER WITH KENAI II 32.

DESIGNER	Y.I	11/20/03	PART NO.	93P4053	
CHECKED	Y.Y	11/20/03			
APPROVED	K.T	11/20/03	TITLE ROME-2 RWK(V049)		
CLASS	K.T	11/20/03	GIGABIT ETHERNET (1/3)		
THIS DOCUMENT IS THE PROPERTY OF IBM ITS USE IS AUTHORIZED ONLY FOR RESPONDING TO A REQUEST FOR QUOTATION OR FOR THE PERFORMANCE OF WORK FOR IBM. ALL QUESTIONS MUST BE REFERRED TO THE IBM PURCHASING DEPARTMENT.					IBM CONFIDENTIAL

93P4053

DATE	EC NO.	PART NO.
REL 11/20/03	J18446A	93P4053
DEVELOPMENT NO.		Q/M
		77 / 82



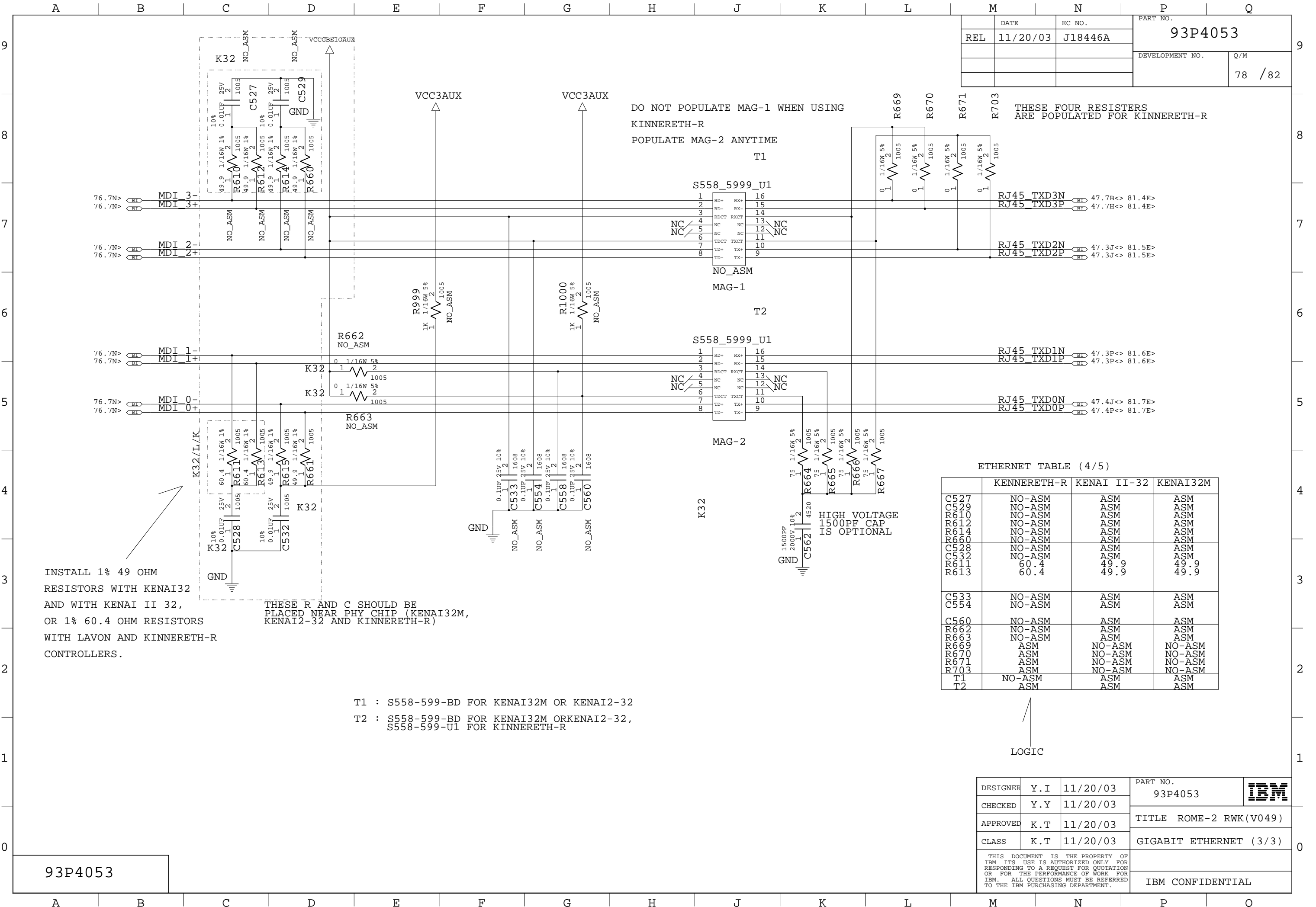
ETHERNET TABLE (3/5)

	KENNERETH-R	KENAI2-32	KENAI32M
R98	NO-ASM	ASM	ASM
R205	NO-ASM	ASM	ASM
R880	NO-ASM	ASM	NO-ASM
R879	ASM	NO-ASM	NO-ASM
R851	ASM	NO-ASM	NO-ASM
R852	ASM	NO-ASM	NO-ASM
C779	NO-ASM	ASM	ASM
C780	NO-ASM	ASM	ASM
C781	NO-ASM	ASM	ASM
C801	NO-ASM	ASM	ASM
C802	NO-ASM	ASM	ASM
C803	NO-ASM	ASM	ASM
C804	NO-ASM	ASM	ASM
C805	NO-ASM	ASM	ASM
R236	ASM	NO-ASM	NO-ASM

93P4053

DESIGNER	Y.I	11/20/03	PART NO.	93P4053	
CHECKED	Y.Y	11/20/03	TITLE ROME-2 RWK(V049)		
APPROVED	K.T	11/20/03	GIGABIT ETHERNET (2/3)		THIS DOCUMENT IS THE PROPERTY OF IBM. ITS USE IS AUTHORIZED ONLY FOR RESPONDING TO A REQUEST FOR QUOTATION OR FOR THE PERFORMANCE OF WORK FOR IBM. ALL QUESTIONS MUST BE REFERRED TO THE IBM PURCHASING DEPARTMENT.
CLASS	K.T	11/20/03	IBM CONFIDENTIAL		

REL	DATE 11/20/03	EC NO. J18446A	PART NO. 93P4053
			DEVELOPMENT NO. Q/M 78 / 82



THESE FOUR RESISTORS ARE POPULATED FOR KINNERETH-R

DO NOT POPULATE MAG-1 WHEN USING KINNERETH-R
POPULATE MAG-2 ANYTIME

ETHERNET TABLE (4/5)

	KENNERETH-R	KENAI II-32	KENAI32M
C527	NO-ASM	ASM	ASM
C529	NO-ASM	ASM	ASM
R610	NO-ASM	ASM	ASM
R612	NO-ASM	ASM	ASM
R614	NO-ASM	ASM	ASM
R660	NO-ASM	ASM	ASM
C528	NO-ASM	ASM	ASM
C532	NO-ASM	ASM	ASM
R611	60.4	49.9	49.9
R613	60.4	49.9	49.9
C533	NO-ASM	ASM	ASM
C554	NO-ASM	ASM	ASM
C560	NO-ASM	ASM	ASM
R662	NO-ASM	ASM	ASM
R663	NO-ASM	ASM	ASM
R669	ASM	NO-ASM	NO-ASM
R670	ASM	NO-ASM	NO-ASM
R671	ASM	NO-ASM	NO-ASM
R703	ASM	NO-ASM	NO-ASM
T1	NO-ASM	ASM	ASM
T2	ASM	ASM	ASM

INSTALL 1% 49 OHM RESISTORS WITH KENAI32 AND WITH KENAI II 32, OR 1% 60.4 OHM RESISTORS WITH LAVON AND KINNERETH-R CONTROLLERS.

THESE R AND C SHOULD BE PLACED NEAR PHY CHIP (KENAI32M, KENAI2-32 AND KINNERETH-R)

T1 : S558-599-BD FOR KENAI32M OR KENAI2-32
T2 : S558-599-BD FOR KENAI32M OR KENAI2-32, S558-599-U1 FOR KINNERETH-R

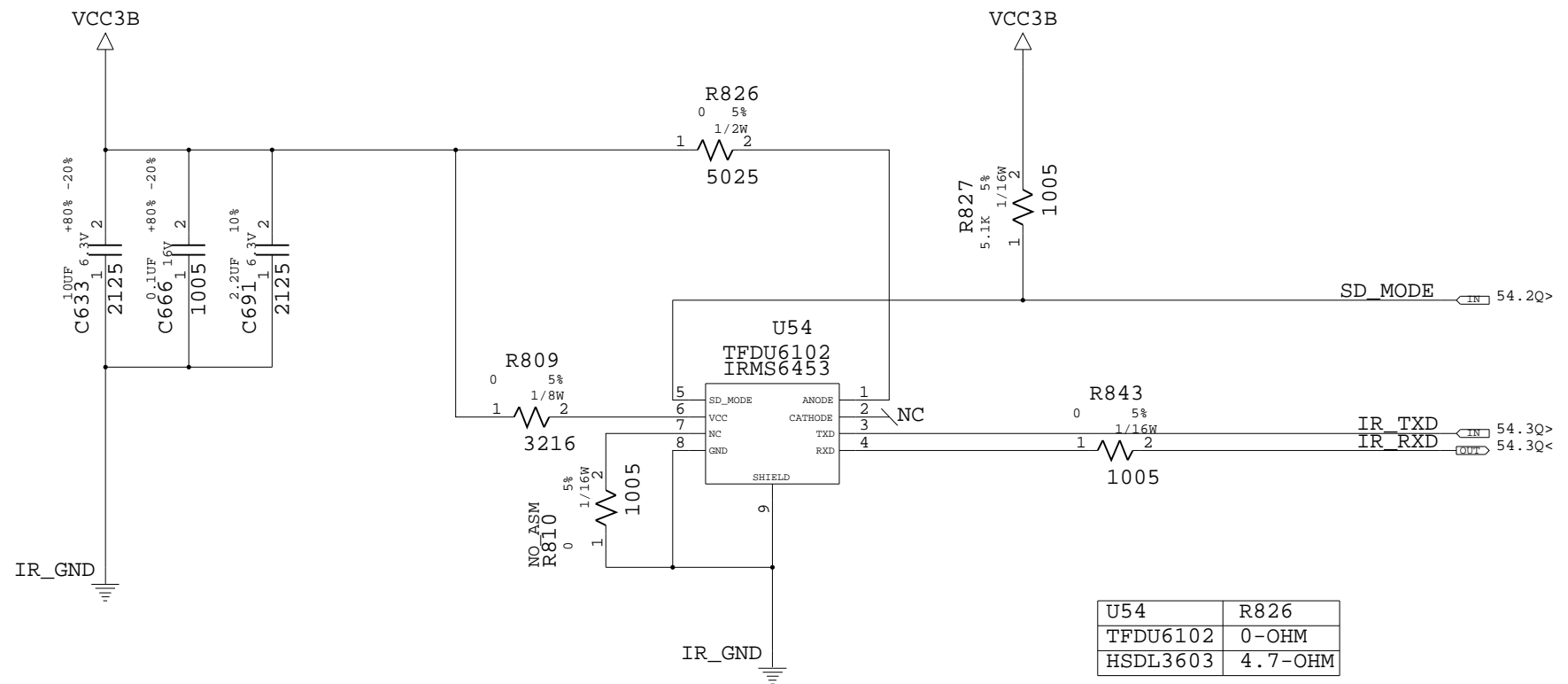
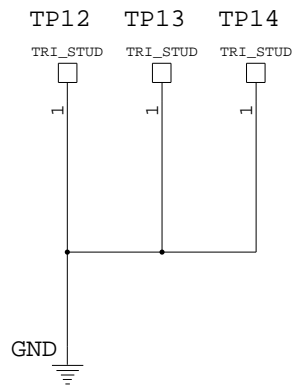
HIGH VOLTAGE 1500PF CAP IS OPTIONAL

LOGIC

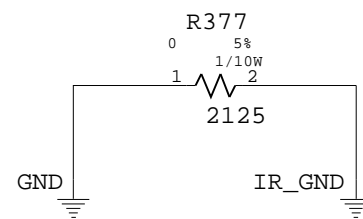
DESIGNER	Y. I	11/20/03	PART NO. 93P4053	
CHECKED	Y. Y	11/20/03	TITLE ROME-2 RWK(V049)	
APPROVED	K. T	11/20/03	GIGABIT ETHERNET (3/3)	
CLASS	K. T	11/20/03	IBM CONFIDENTIAL	

93P4053

LARGE PTH HOLE

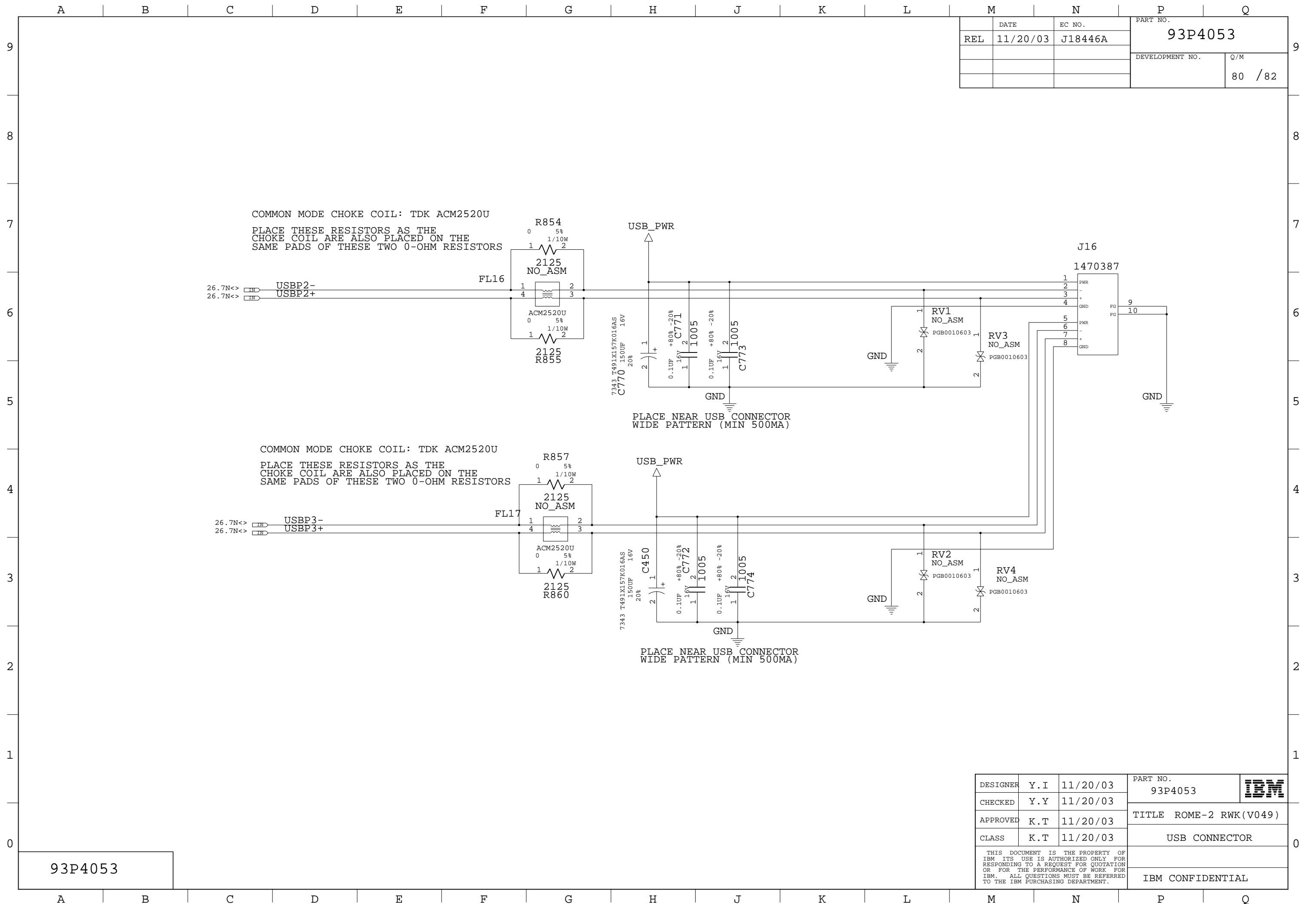


U54	R826
TFDU6102	0-OHM
HSDL3603	4.7-OHM



DESIGNER	Y. I	11/20/03	PART NO.	93P4053	
CHECKED	Y. Y	11/20/03			
APPROVED	K. T	11/20/03	TITLE ROME-2 RWK(V049)		
CLASS	K. T	11/20/03	IR MODULE		
THIS DOCUMENT IS THE PROPERTY OF IBM ITS USE IS AUTHORIZED ONLY FOR RESPONDING TO A REQUEST FOR QUOTATION OR FOR THE PERFORMANCE OF WORK FOR IBM. ALL QUESTIONS MUST BE REFERRED TO THE IBM PURCHASING DEPARTMENT.				IBM CONFIDENTIAL	

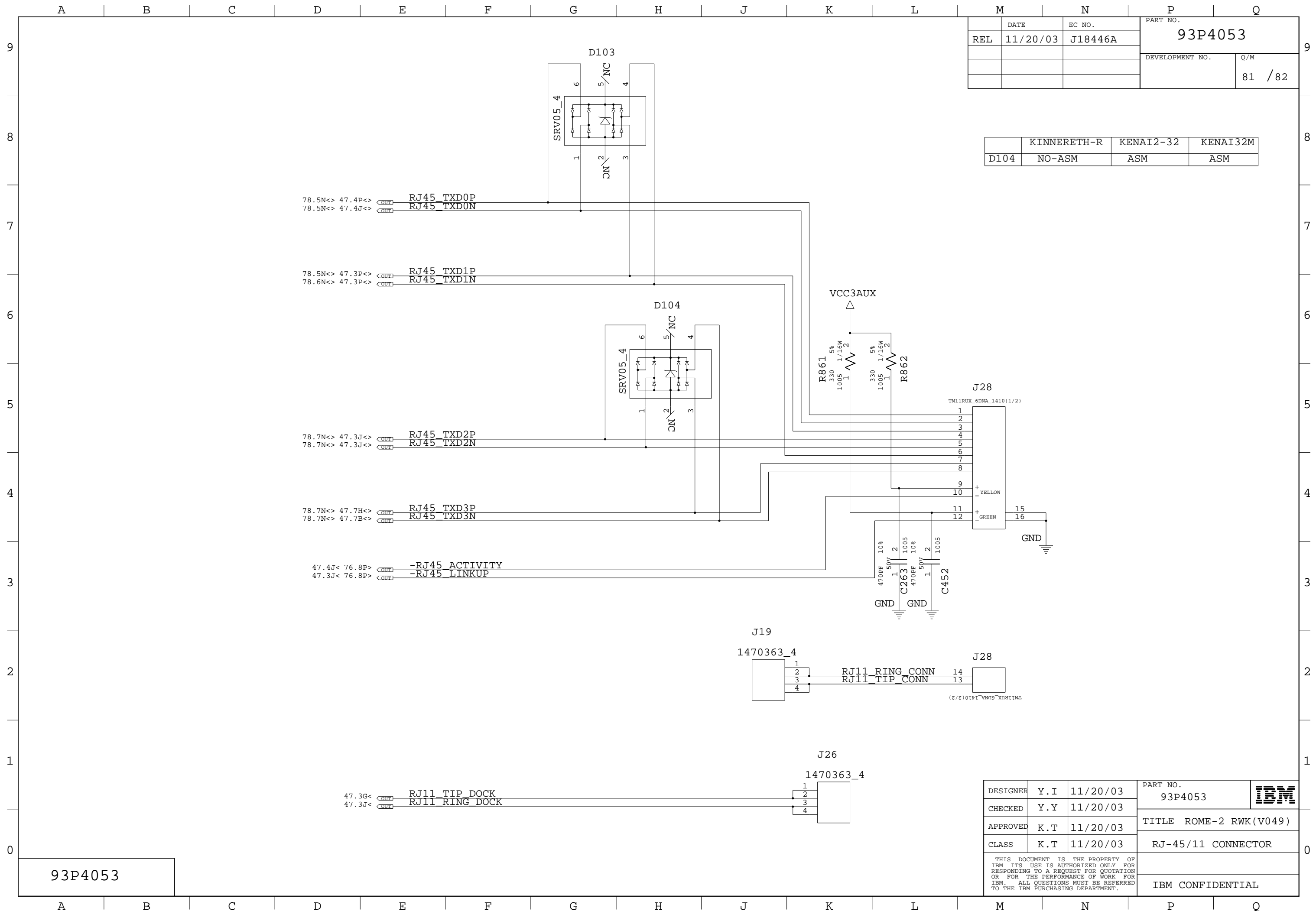
93P4053



	DATE	EC NO.	PART NO.	
REL	11/20/03	J18446A	93P4053	
			DEVELOPMENT NO.	Q/M
				80 / 82

93P4053

DESIGNER	Y. I	11/20/03	PART NO.	93P4053	
CHECKED	Y. Y	11/20/03	TITLE		
APPROVED	K. T	11/20/03	USB CONNECTOR		
CLASS	K. T	11/20/03	IBM CONFIDENTIAL		
<small>THIS DOCUMENT IS THE PROPERTY OF IBM ITS USE IS AUTHORIZED ONLY FOR RESPONDING TO A REQUEST FOR QUOTATION OR FOR THE PERFORMANCE OF WORK FOR IBM. ALL QUESTIONS MUST BE REFERRED TO THE IBM PURCHASING DEPARTMENT.</small>					

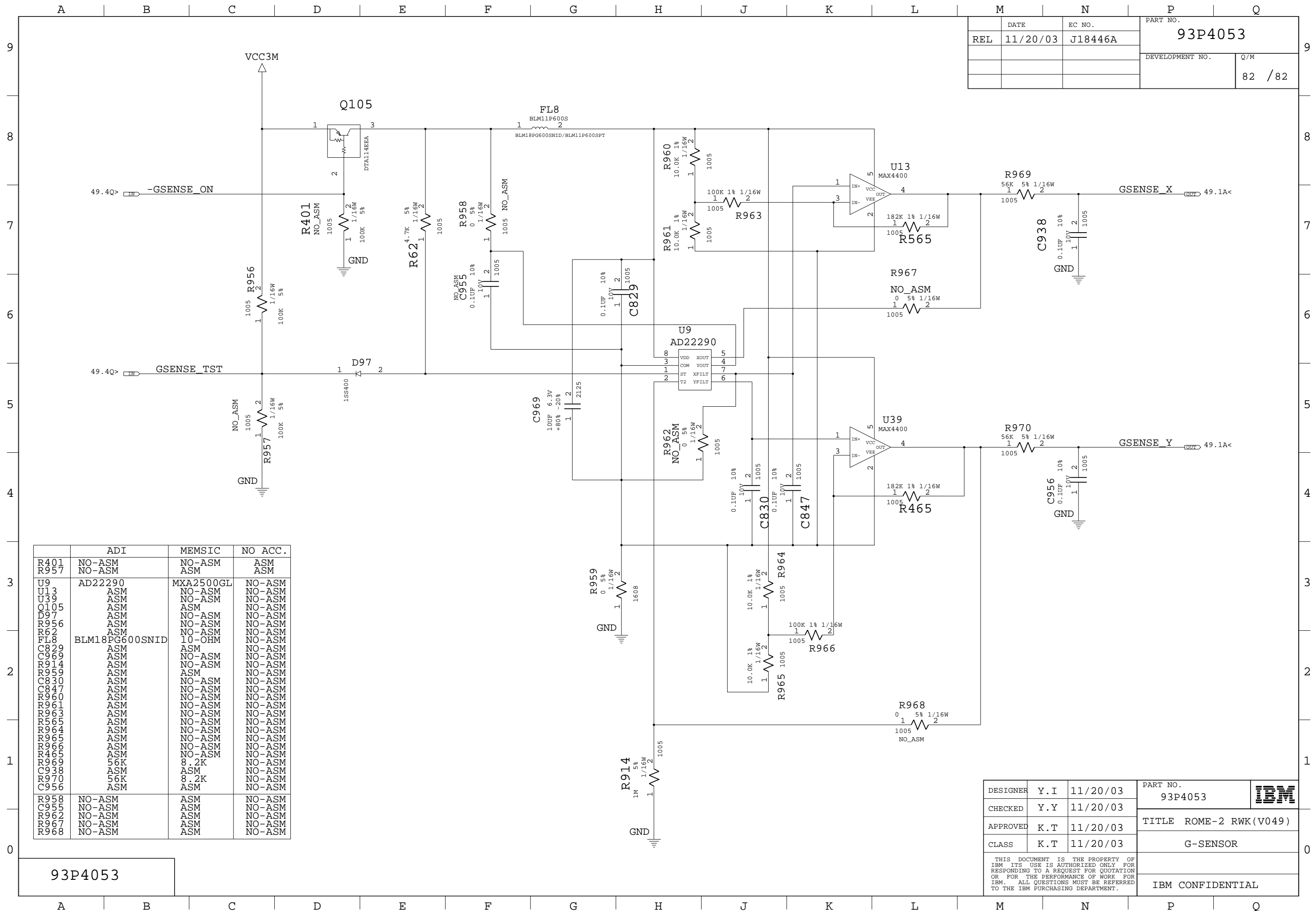


REL	DATE 11/20/03	EC NO. J18446A	PART NO. 93P4053
			DEVELOPMENT NO. Q/M 81 /82

	KINNERETH-R	KENAI2-32	KENAI32M
D104	NO-ASM	ASM	ASM

93P4053

DESIGNER	Y. I	11/20/03	PART NO. 93P4053	
CHECKED	Y. Y	11/20/03	TITLE ROME-2 RWK(V049)	
APPROVED	K. T	11/20/03	RJ-45/11 CONNECTOR	
CLASS	K. T	11/20/03		
THIS DOCUMENT IS THE PROPERTY OF IBM. ITS USE IS AUTHORIZED ONLY FOR RESPONDING TO A REQUEST FOR QUOTATION OR FOR THE PERFORMANCE OF WORK FOR IBM. ALL QUESTIONS MUST BE REFERRED TO THE IBM PURCHASING DEPARTMENT.				IBM CONFIDENTIAL



REL	DATE	EC NO.	PART NO.
	11/20/03	J18446A	93P4053
			DEVELOPMENT NO.
			Q/M
			82 / 82

	ADI	MEMSIC	NO ACC.
R401	NO-ASM	NO-ASM	ASM
R957	NO-ASM	ASM	ASM
U9	AD22290	MXA2500GL	NO-ASM
U13	ASM	NO-ASM	NO-ASM
U39	ASM	NO-ASM	NO-ASM
Q105	ASM	ASM	NO-ASM
D97	ASM	NO-ASM	NO-ASM
R956	ASM	NO-ASM	NO-ASM
R62	ASM	NO-ASM	NO-ASM
FL8	BLM18PG600SNID	10-OHM	NO-ASM
C829	ASM	ASM	NO-ASM
C955	ASM	NO-ASM	NO-ASM
R958	ASM	NO-ASM	NO-ASM
R961	ASM	NO-ASM	NO-ASM
R960	ASM	NO-ASM	NO-ASM
R963	ASM	NO-ASM	NO-ASM
R965	ASM	NO-ASM	NO-ASM
R966	ASM	NO-ASM	NO-ASM
R967	ASM	NO-ASM	NO-ASM
R968	ASM	NO-ASM	NO-ASM
R969	ASM	NO-ASM	NO-ASM
R970	ASM	NO-ASM	NO-ASM
R914	ASM	NO-ASM	NO-ASM
R959	ASM	NO-ASM	NO-ASM
R962	ASM	NO-ASM	NO-ASM
R957	ASM	NO-ASM	NO-ASM
R955	ASM	NO-ASM	NO-ASM
R964	ASM	NO-ASM	NO-ASM
R965	ASM	NO-ASM	NO-ASM
R966	ASM	NO-ASM	NO-ASM
R967	ASM	NO-ASM	NO-ASM
R968	ASM	NO-ASM	NO-ASM
R969	ASM	NO-ASM	NO-ASM
R970	ASM	NO-ASM	NO-ASM
R958	NO-ASM	ASM	NO-ASM
C956	NO-ASM	ASM	NO-ASM
R967	NO-ASM	ASM	NO-ASM
R968	NO-ASM	ASM	NO-ASM

DESIGNER	Y.I	11/20/03	PART NO.	93P4053	IBM
CHECKED	Y.Y	11/20/03			
APPROVED	K.T	11/20/03	TITLE ROME-2 RWK(V049)		
CLASS	K.T	11/20/03	G-SENSOR		
THIS DOCUMENT IS THE PROPERTY OF IBM ITS USE IS AUTHORIZED ONLY FOR RESPONDING TO A REQUEST FOR QUOTATION OR FOR THE PERFORMANCE OF WORK FOR IBM. ALL QUESTIONS MUST BE REFERRED TO THE IBM PURCHASING DEPARTMENT.					IBM CONFIDENTIAL

93P4053