
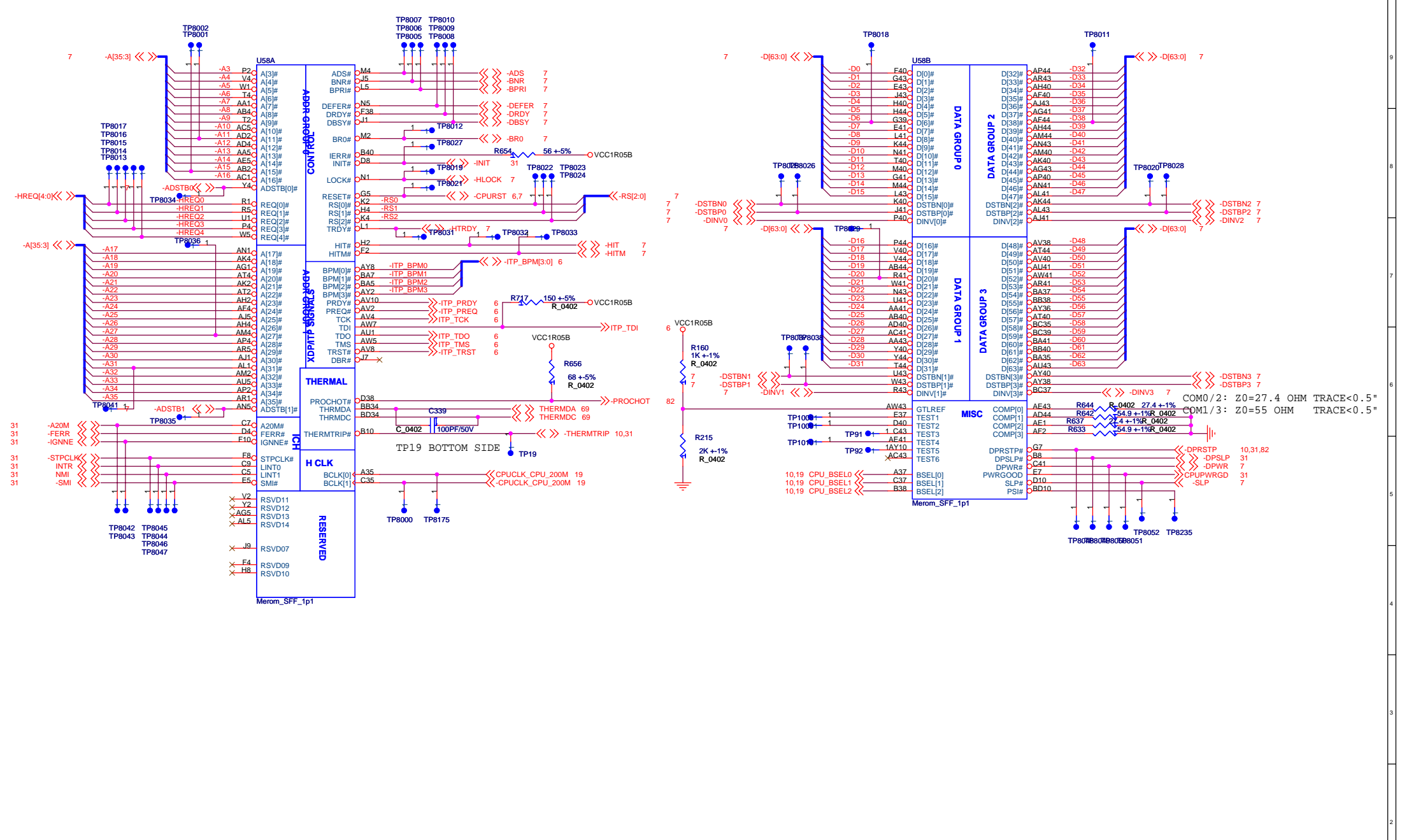


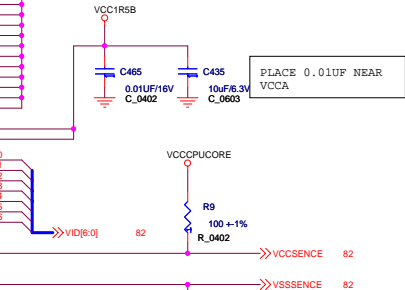
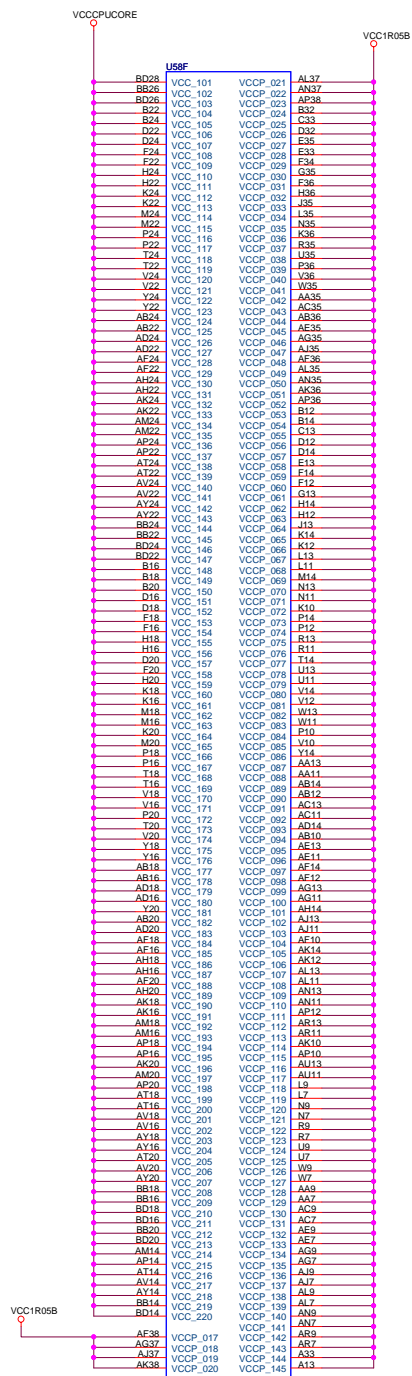
DESIGNER	<OrgAddr1>	<b>lenovo</b> 联想
CHECKED	<OrgAddr2>	
APPROVED	<OrgAddr3>	
CLASS	<OrgAddr4>	
<small>THIS DOCUMENT IS THE PROPERTY OF LENOVO. ITS USE IS AUTHORIZED ONLY FOR RESPONDING TO A REQUEST FOR QUOTATION OR FOR THE PERFORMANCE OF WORK FOR LENOVO. ALL QUESTIONS MUST BE REFERRED TO THE LENOVO PURCHASING DEPARTMENT.</small>		Part No. 42X6811
		EC No. L13790
		TITLE: Kodachi Ver.V1.12
		BLOCK DIAGRAM
LENOVO CONFIDENTIAL		sheet 1 of 99 Thursday, May 31, 2007

9																			
8																			
7																			
6																			
5																			
4																			
3																			
2																			
1																			
	A	B	C	D	E	F	G	H	I	J	K	L	M	N	O				

DESIGNER	<OrgAddr1>	
CHECKED	<OrgAddr2>	
APPROVED	<OrgAddr3>	
CLASS	<OrgAddr4>	
<small>THIS DOCUMENT IS THE PROPERTY OF LENOVO. ITS USE IS AUTHORIZED ONLY FOR RESPONDING TO A REQUEST FOR QUOTATION OR FOR THE PERFORMANCE OF WORK FOR LENOVO. ALL QUESTIONS MUST BE REFERRED TO THE LENOVO PURCHASING DEPARTMENT.</small>		Part No .   42X6811 EC No .     L13790 <b>TITLE:   Kodachi Ver.V1.12</b>
<b>LENOVO CONFIDENTIAL</b>		<b>EC HISTORY</b> sheet   2           of   99 Thursday, May 31, 2007

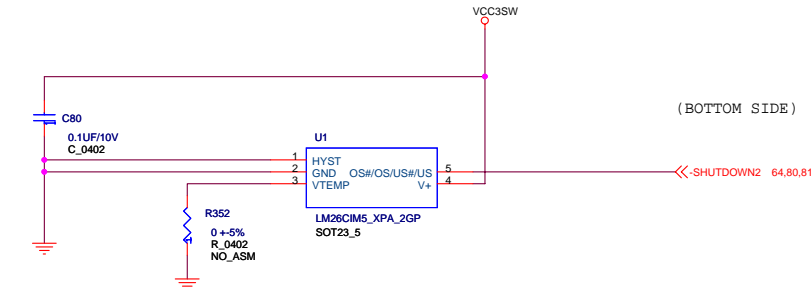
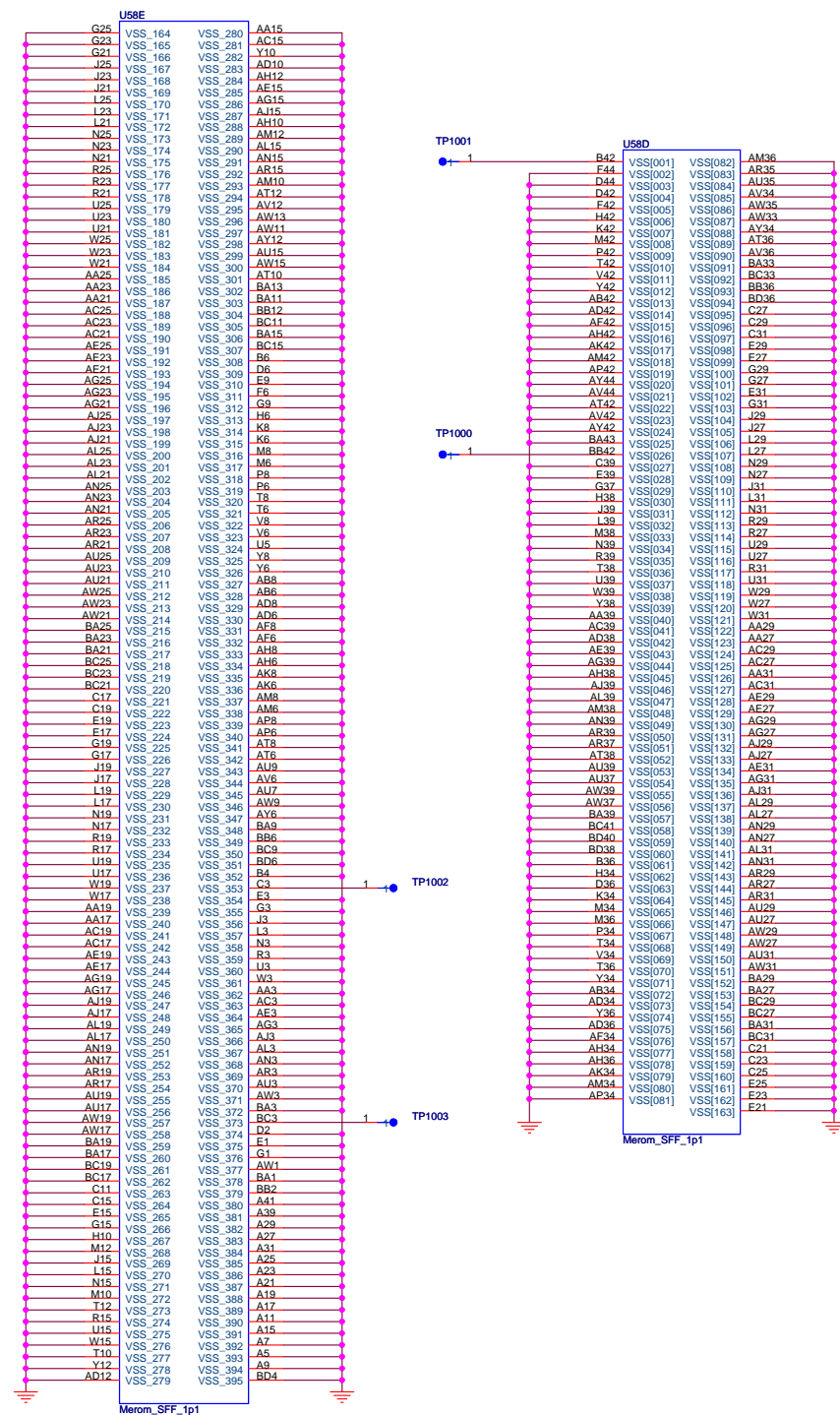


DESIGNER	<OrgAddr1>	
CHECKED	<OrgAddr2>	
APPROVED	<OrgAddr3>	Part No. 42X6811
CLASS	<OrgAddr4>	EC No. L13790
<small>THIS DOCUMENT IS THE PROPERTY OF LENOVO. ITS USE IS AUTHORIZED ONLY FOR RESPONDING TO A REQUEST FOR QUOTATION OR FOR THE PERFORMANCE OF WORK FOR LENOVO. ALL QUESTIONS MUST BE REFERRED TO THE LENOVO PURCHASING DEPARTMENT.</small>		TITLE: Kodachi Ver. V1.12
		CPU MEROM-1 (HOST,BUS)
LENOVO CONFIDENTIAL		sheet 3 of 99 Thursday, May 31, 2007



Z0=27.4 OHM 50MIL SPACING  
 PU/PD <1 INCH

DESIGNER	<OrgAddr1>	
CHECKED	<OrgAddr2>	
APPROVED	<OrgAddr3>	Part No. 42X6811
CLASS	<OrgAddr4>	EC No. L13790
<small>THIS DOCUMENT IS THE PROPERTY OF LENOVO. ITS USE IS RESTRICTED ONLY FOR REFERRING TO A REQUEST FOR QUOTATION OR FOR THE PERFORMANCE OF WORK FOR LENOVO. ALL OTHERS MUST BE REFERRED TO THE LENOVO PURCHASING DEPARTMENT.</small>		
TITLE: Kodachi Ver. V1.12		
CPU MEROM-2(Power_GND)		
sheet 4 of 99		
Thursday, May 31, 2007		
LENOVO CONFIDENTIAL		

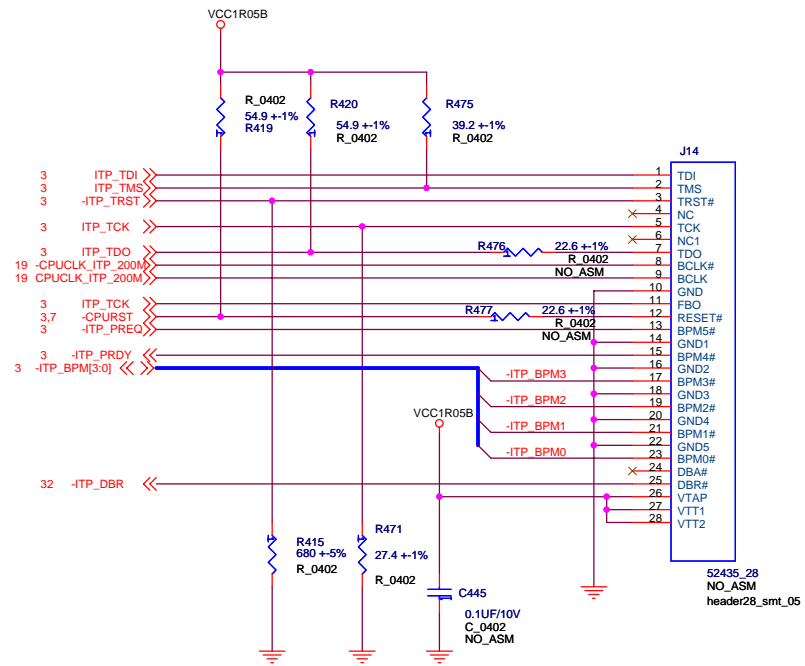


U1	R7157
NS LM26 MAXIM MAX6519	NOASM NOASM
MAXIM MAX6501 ADI ADT6501	ASM ASM

(BOTTOM SIDE)

SHUTDOWN2 64.80.81

DESIGNER	<OrgAddr1>		
CHECKED	<OrgAddr2>		
APPROVED	<OrgAddr3>		Part No. 42X6811
CLASS	<OrgAddr4>		EC No. L13790
<small>THIS DOCUMENT IS THE PROPERTY OF LENOVO. ITS USE IS AUTHORIZED ONLY FOR RESPONDING TO A REQUEST FOR QUOTATION OR FOR THE PERFORMANCE OF WORK FOR LENOVO. ALL QUESTIONS MUST BE REFERRED TO THE LENOVO PURCHASING DEPARTMENT.</small>			TITLE: Kodachi Ver.V1.12
LENOVO CONFIDENTIAL			CPU-3 sheet 5 of 99 Thursday, May 31, 2007

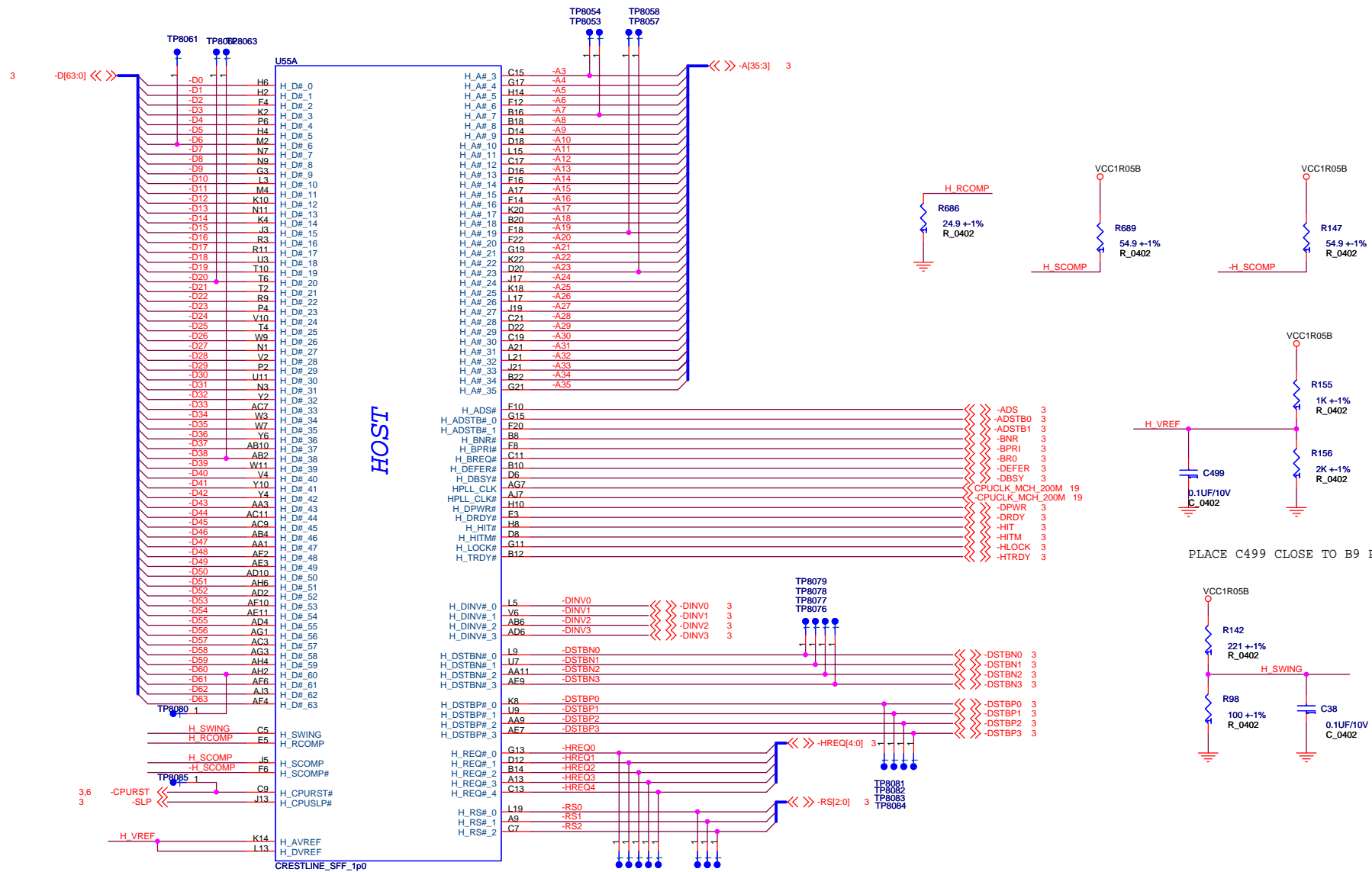


REF DES	FOR ITP700FLEX	FOR ITP-->XDP
J4	NO_ASM---->ASM	NO_ASM---->ASM
C445	ASM---->ASM	ASM---->ASM
R717	ASM(NO CHANGE)	ASM---->51 5% ASM
R476	ASM---->ASM	ASM---->ASM
R477	ASM---->ASM	ASM---->1K 5% ASM
R415	ASM(NO CHANGE)	ASM(NO CHANGE)
R419	ASM(NO CHANGE)	ASM-->NO_ASM
R420	ASM(NO CHANGE)	ASM(NO CHANGE)
R471	ASM(NO CHANGE)	ASM---->51 5% ASM
R475	ASM(NO CHANGE)	ASM---->51 5% ASM

NOTE: C445,R476 AND R477 "ASM" BEFORE SIT, "NO\_ASM" FROM SIT.

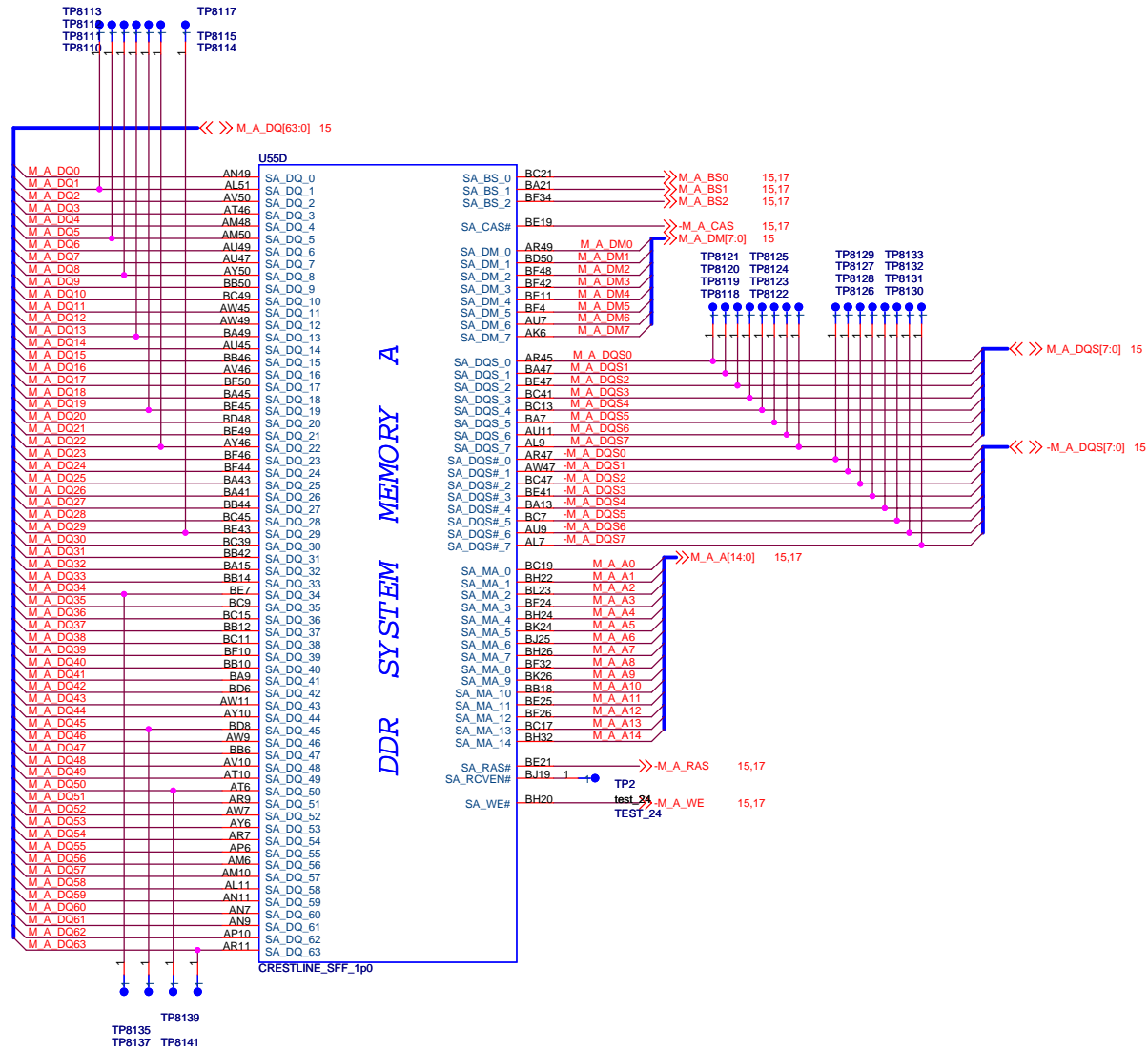
- (\*1) TCK SIGNAL IS BRANCHED AT YONAH PIN
- (\*2) -CPURST SIGNAL IS BRANCHED AT CRESTLINE PIN

DESIGNER	<OrgAddr1>	
CHECKED	<OrgAddr2>	
APPROVED	<OrgAddr3>	Part No. 42X6811
CLASS	<OrgAddr4>	EC No. L13790
THIS DOCUMENT IS THE PROPERTY OF LENOVO. ITS USE IS AUTHORIZED ONLY FOR RESPONDING TO A REQUEST FOR QUOTATION OR FOR THE PERFORMANCE OF WORK FOR LENOVO. ALL QUESTIONS MUST BE REFERRED TO THE LENOVO PURCHASING DEPARTMENT.		TITLE: Kodachi Ver.V1.12
		ITP CONN
LENOVO CONFIDENTIAL		sheet 6 of 99 Thursday, May 31, 2007



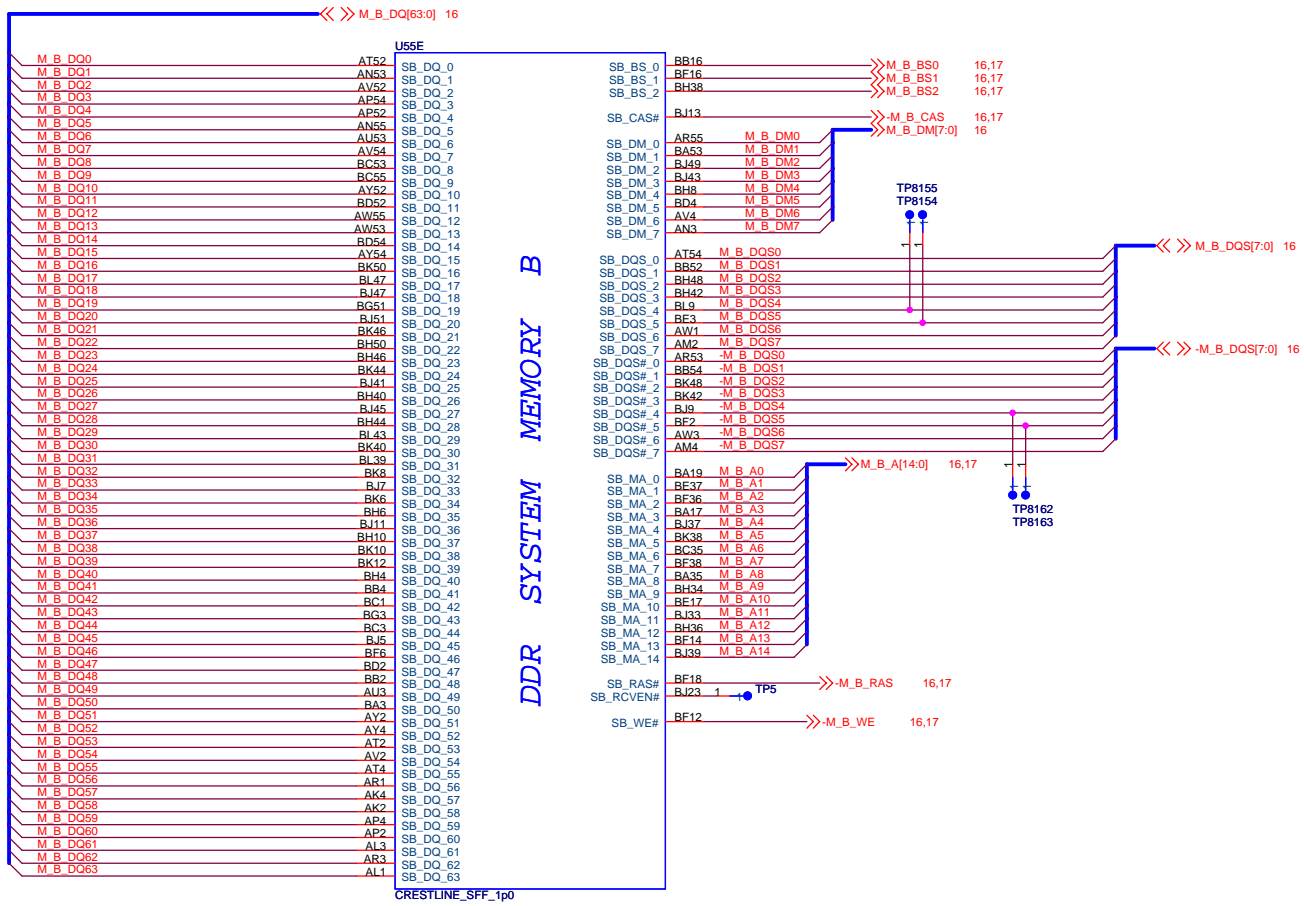
PLACE C499 CLOSE TO B9 PIN

DESIGNER	<OrgAddr1>	
CHECKED	<OrgAddr2>	
APPROVED	<OrgAddr3>	Part No. 42X6811
CLASS	<OrgAddr4>	EC No. L13790
<small>THIS DOCUMENT IS THE PROPERTY OF LENOVO. ITS USE IS AUTHORIZED ONLY FOR RESPONDING TO A REQUEST FOR QUOTATION OR FOR THE PERFORMANCE OF WORK FOR LENOVO. ALL QUESTIONS MUST BE REFERRED TO THE LENOVO PURCHASING DEPARTMENT.</small>		
		TITLE: Kodachi Ver.V1.12
		NB 965GM-1(HOST CFG)
LENOVO CONFIDENTIAL		sheet 7 of 99 Thursday, May 31, 2007

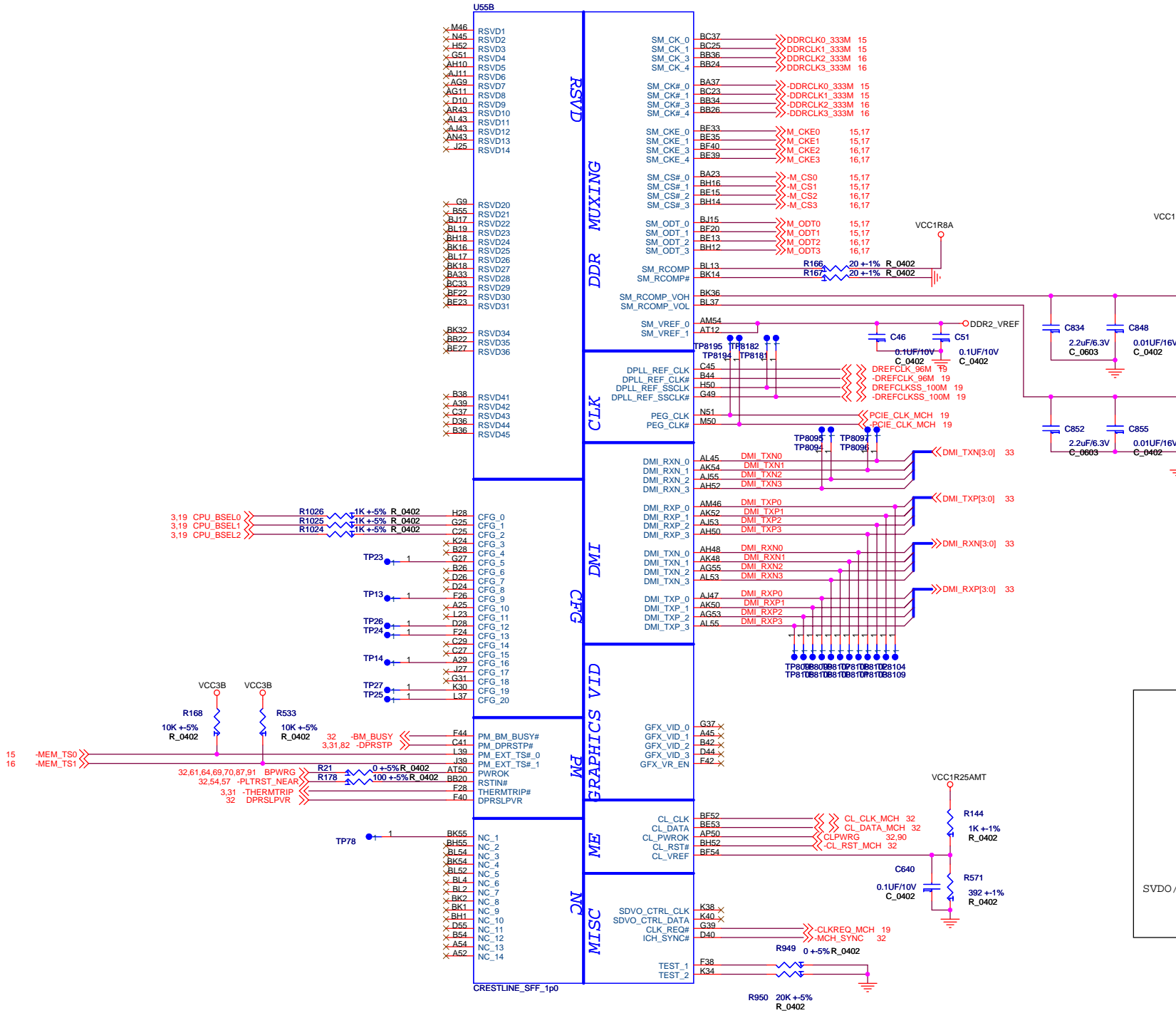


DESIGNER	<OrgAddr1>	<b>lenovo</b> 联想
CHECKED	<OrgAddr2>	
APPROVED	<OrgAddr3>	Part No. 42X6811
CLASS	<OrgAddr4>	EC No. L13790
THIS DOCUMENT IS THE PROPERTY OF LENOVO. ITS USE IS AUTHORIZED ONLY FOR RESPONDING TO A REQUEST FOR QUOTATION OR FOR THE PERFORMANCE OF WORK FOR LENOVO. ALL QUESTIONS MUST BE REFERRED TO THE LENOVO PURCHASING DEPARTMENT.		TITLE: Kodachi Ver.V1.12
		965 DDR2-A
LENOVO CONFIDENTIAL		sheet 8 of 99 Thursday, May 31, 2007





DESIGNER	<OrgAdd1>	
CHECKED	<OrgAdd2>	
APPROVED	<OrgAdd3>	Part No. 42X6811
CLASS	<OrgAdd4>	EC No. L13790
THIS DOCUMENT IS THE PROPERTY OF LENOVO. ITS USE IS AUTHORIZED ONLY FOR RESPONDING TO A REQUEST FOR QUOTATION OR FOR THE PERFORMANCE OF WORK FOR LENOVO. ALL QUESTIONS MUST BE REFERRED TO THE LENOVO PURCHASING DEPARTMENT.		TITLE: Kodachi Ver.V1.12
LENOVO CONFIDENTIAL		NB 965 DDR2-B
		sheet 9 of 99 Thursday, May 31, 2007



	BSEL2	BSEL1	BSEL0
533M	0	0	1
667M	0	1	1
800M	0	1	0

CFG[17:3] INTERNAL PULLUP  
CFG[20:18] INTERNAL PULLDOWN

DMI TP23  
X2:LOW  
X4:High(default)

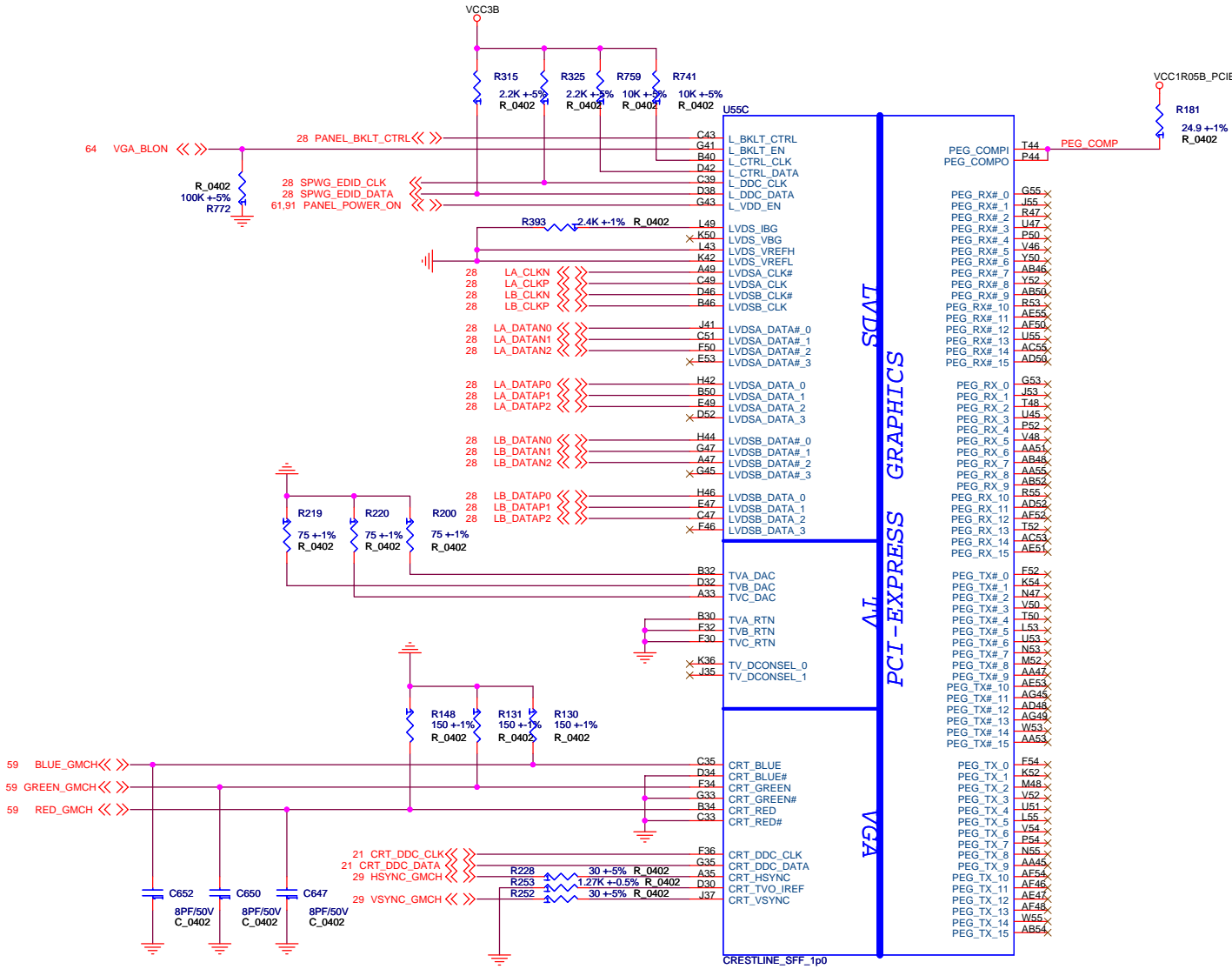
PCIE GRAPHICS LANE TP13  
NOMAL :High(default)  
Lane Reverse :Low  
FSB Dynamic ODT: TP14

DIABLE:LOW  
ENABLE:High(Default)


DMI LANE Reverse :TP19  
NORMAL:LOW(Default)  
Reverse:High

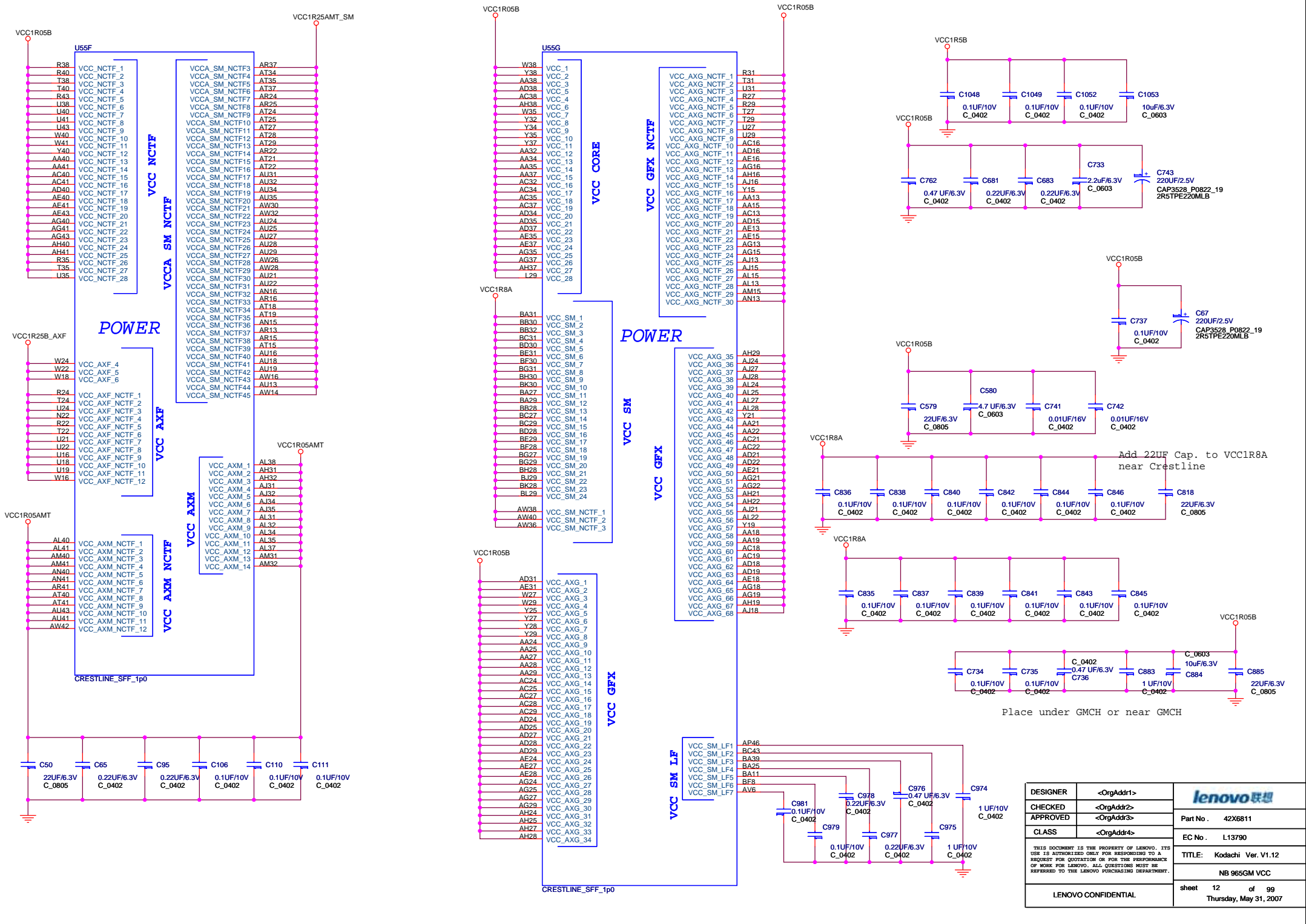
SVDO/PCIE concurrent operation : TP25  
Only one:LOW(Default)  
Both:High


DESIGNER	<OrgAdd1>	
CHECKED	<OrgAdd2>	
APPROVED	<OrgAdd3>	Part No. 42X6811
CLASS	<OrgAdd4>	Ec No. L13790
THIS DOCUMENT IS THE PROPERTY OF LENOVO. ITS USE IS AUTHORIZED ONLY FOR RESPONDING TO A REQUEST FOR QUOTATION OR FOR THE PERFORMANCE OF WORK FOR LENOVO. ALL QUESTIONS MUST BE REFERRED TO THE LENOVO PURCHASING DEPARTMENT.		
TITLE: Kodachi Ver.V1.12		965 DMI
LENOVO CONFIDENTIAL		sheet 10 of 99 Thursday, May 31, 2007

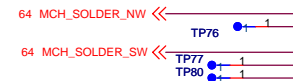
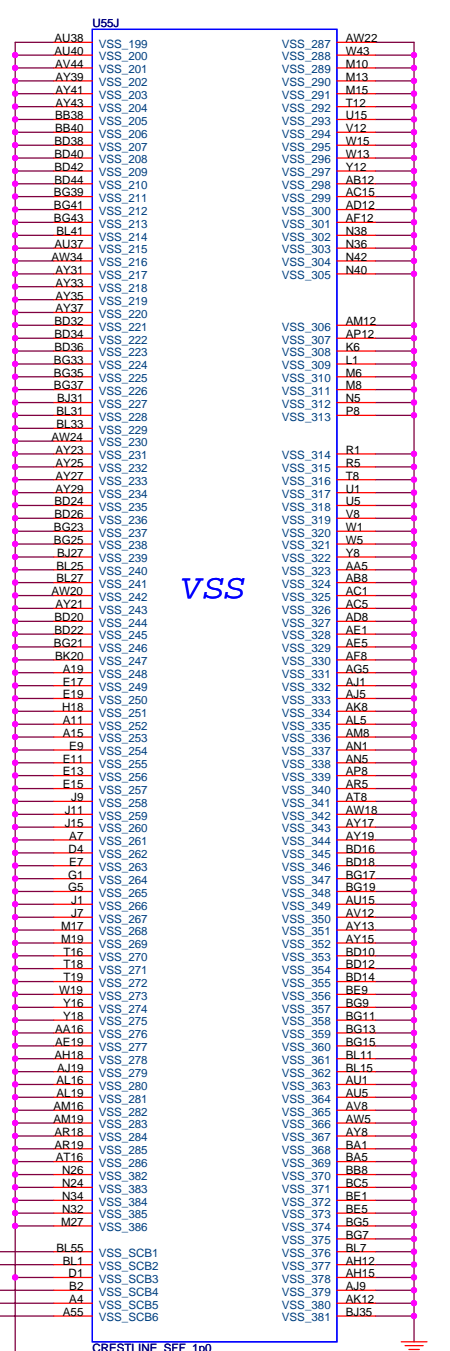
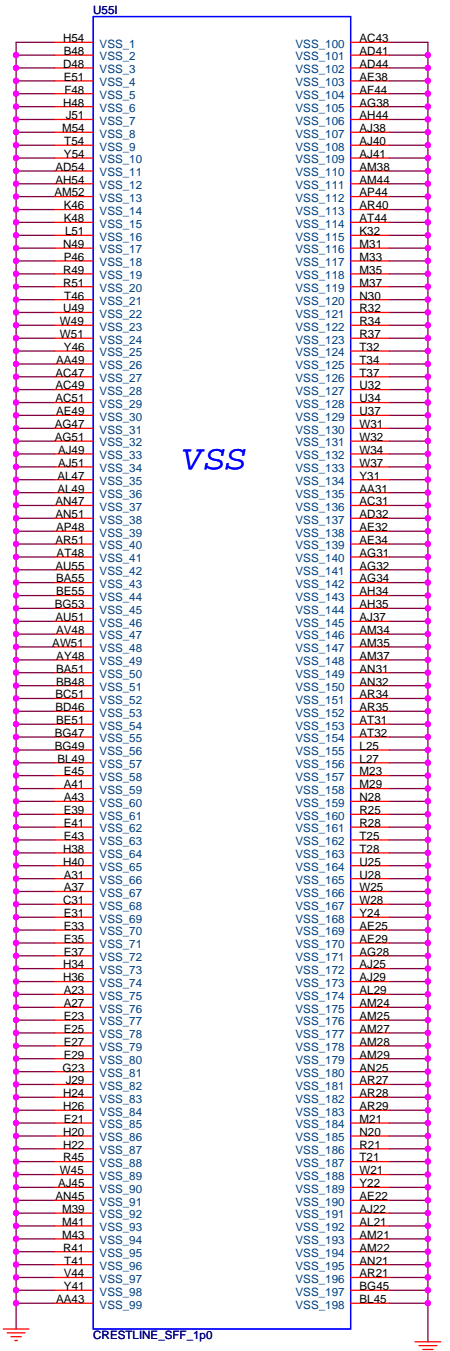


- |             |      |            |      |            |      |
|-------------|------|------------|------|------------|------|
| L_BKLT_CTRL | G55  | PEG_RX#_0  | G55  | PEG_TX#_0  | F52  |
| L_BKLT_EN   | J55  | PEG_RX#_1  | R47  | PEG_TX#_1  | K54  |
| L_CTRL_CLK  | R47  | PEG_RX#_2  | R47  | PEG_TX#_2  | N47  |
| L_CTRL_DATA | U47  | PEG_RX#_3  | P50  | PEG_TX#_3  | V50  |
| L_DDC_CLK   | P50  | PEG_RX#_4  | V46  | PEG_TX#_4  | T50  |
| L_DDC_DATA  | Y50  | PEG_RX#_5  | V46  | PEG_TX#_5  | L53  |
| L_VDD_EN    | AB46 | PEG_RX#_6  | AB46 | PEG_TX#_6  | U53  |
|             | Y52  | PEG_RX#_7  | AB46 | PEG_TX#_7  | N53  |
|             | AB50 | PEG_RX#_8  | Y52  | PEG_TX#_8  | M52  |
|             | R53  | PEG_RX#_9  | AB50 | PEG_TX#_9  | A47  |
|             | AE55 | PEG_RX#_10 | AE55 | PEG_TX#_10 | AE53 |
|             | AF50 | PEG_RX#_11 | AE55 | PEG_TX#_11 | AG48 |
|             | U55  | PEG_RX#_12 | AE55 | PEG_TX#_12 | AD48 |
|             | AC55 | PEG_RX#_13 | AF50 | PEG_TX#_13 | AG49 |
|             | AD50 | PEG_RX#_14 | T52  | PEG_TX#_14 | W53  |
|             |      | PEG_RX#_15 | AC53 | PEG_TX#_15 | AA53 |
|             |      |            | AE53 |            |      |
|             |      |            |      | PEG_TX_0   | F54  |
|             |      |            |      | PEG_TX_1   | K52  |
|             |      |            |      | PEG_TX_2   | M48  |
|             |      |            |      | PEG_TX_3   | V52  |
|             |      |            |      | PEG_TX_4   | U51  |
|             |      |            |      | PEG_TX_5   | L55  |
|             |      |            |      | PEG_TX_6   | V54  |
|             |      |            |      | PEG_TX_7   | P54  |
|             |      |            |      | PEG_TX_8   | N55  |
|             |      |            |      | PEG_TX_9   | AA45 |
|             |      |            |      | PEG_TX_10  | AE45 |
|             |      |            |      | PEG_TX_11  | AF46 |
|             |      |            |      | PEG_TX_12  | AE47 |
|             |      |            |      | PEG_TX_13  | AF48 |
|             |      |            |      | PEG_TX_14  | W55  |
|             |      |            |      | PEG_TX_15  | AB54 |

DESIGNER	<OrgAddr1>	
CHECKED	<OrgAddr2>	
APPROVED	<OrgAddr3>	
CLASS	<OrgAddr4>	Part No. 42X6811
<small>THIS DOCUMENT IS THE PROPERTY OF LENOVO. ITS USE IS AUTHORIZED ONLY FOR RESPONDING TO A REQUEST FOR QUOTATION OR FOR THE PERFORMANCE OF WORK FOR LENOVO. ALL QUESTIONS MUST BE REFERRED TO THE LENOVO PURCHASING DEPARTMENT.</small>		EC No. L13790
LENOVO CONFIDENTIAL		TITLE: Kodachi Ver. V1.12 GRAPHICS
		sheet 11 of 99 Thursday, May 31, 2007

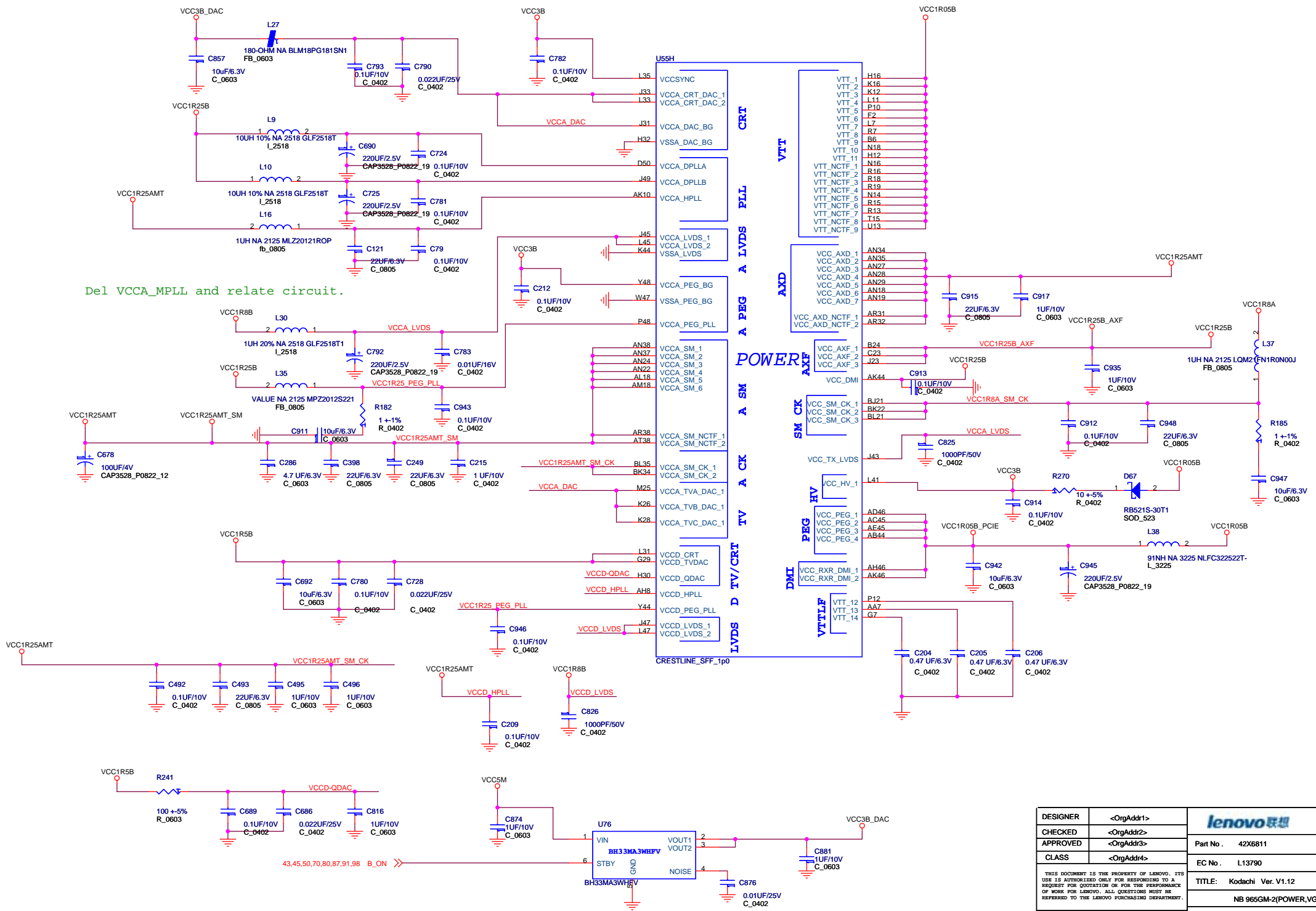



DESIGNER	<OrgAddr1>	
CHECKED	<OrgAddr2>	
APPROVED	<OrgAddr3>	Part No. 42X6811
CLASS	<OrgAddr4>	EC No. L13790
<small>THIS DOCUMENT IS THE PROPERTY OF LENOVO. ITS USE IS AUTHORIZED ONLY FOR RESPONDING TO A REQUEST FOR QUOTATION OR FOR THE PERFORMANCE OF WORK FOR LENOVO. ALL QUESTIONS MUST BE REFERRED TO THE LENOVO PURCHASING DEPARTMENT.</small>		TITLE: Kodachi Ver. V1.12
<b>LENOVO CONFIDENTIAL.</b>		sheet 12 of 99 Thursday, May 31, 2007

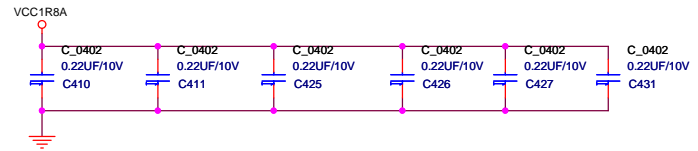
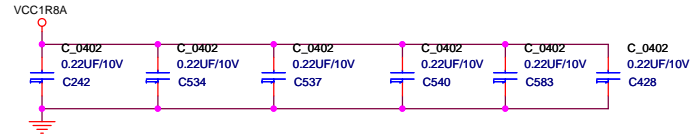
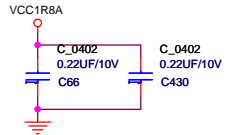
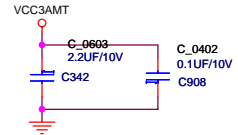
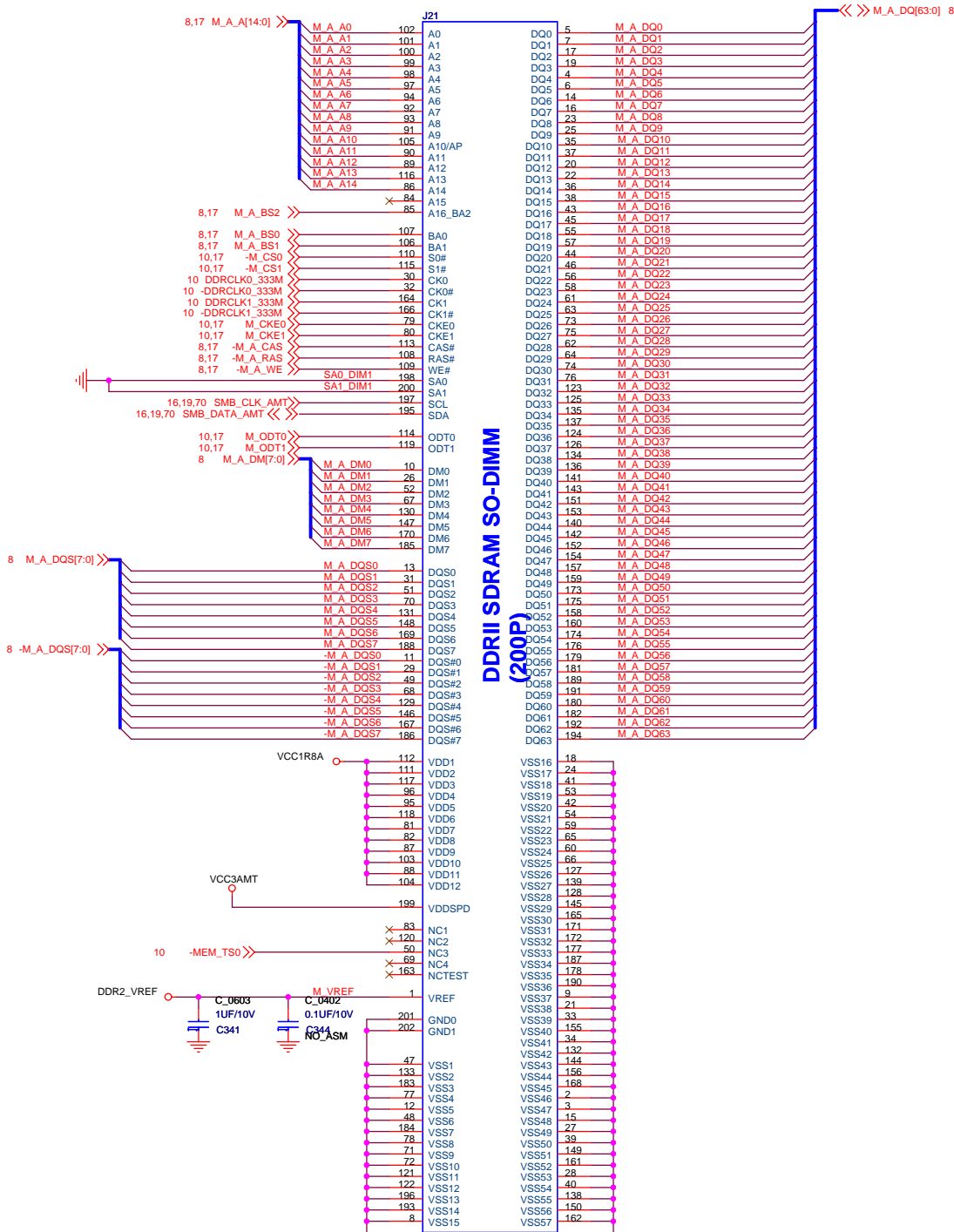


DESIGNER	<OrgAdd1>	
CHECKED	<OrgAdd2>	
APPROVED	<OrgAdd3>	Part No. 42X6811
CLASS	<OrgAdd4>	EC No. L13790
<small>THIS DOCUMENT IS THE PROPERTY OF LENOVO. ITS USE IS AUTHORIZED ONLY FOR RESPONDING TO A REQUEST FOR QUOTATION OR FOR THE PERFORMANCE OF WORK FOR LENOVO. ALL QUESTIONS MUST BE REFERRED TO THE LENOVO PURCHASING DEPARTMENT.</small>		
		TITLE: Kodachi Ver.V1.12
		GND
LENOVO CONFIDENTIAL		sheet 13 of 99 Thursday, May 31, 2007

Del VCCA\_MPLL and relate circuit.

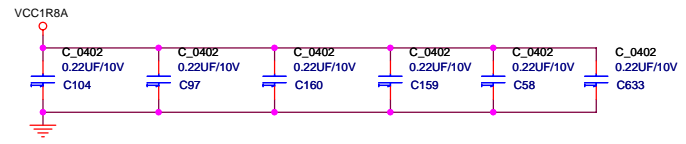
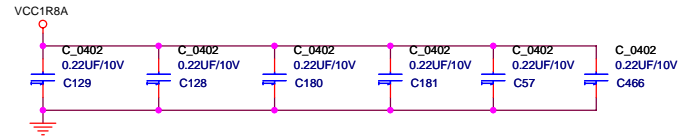
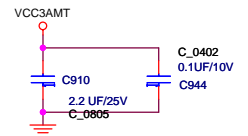
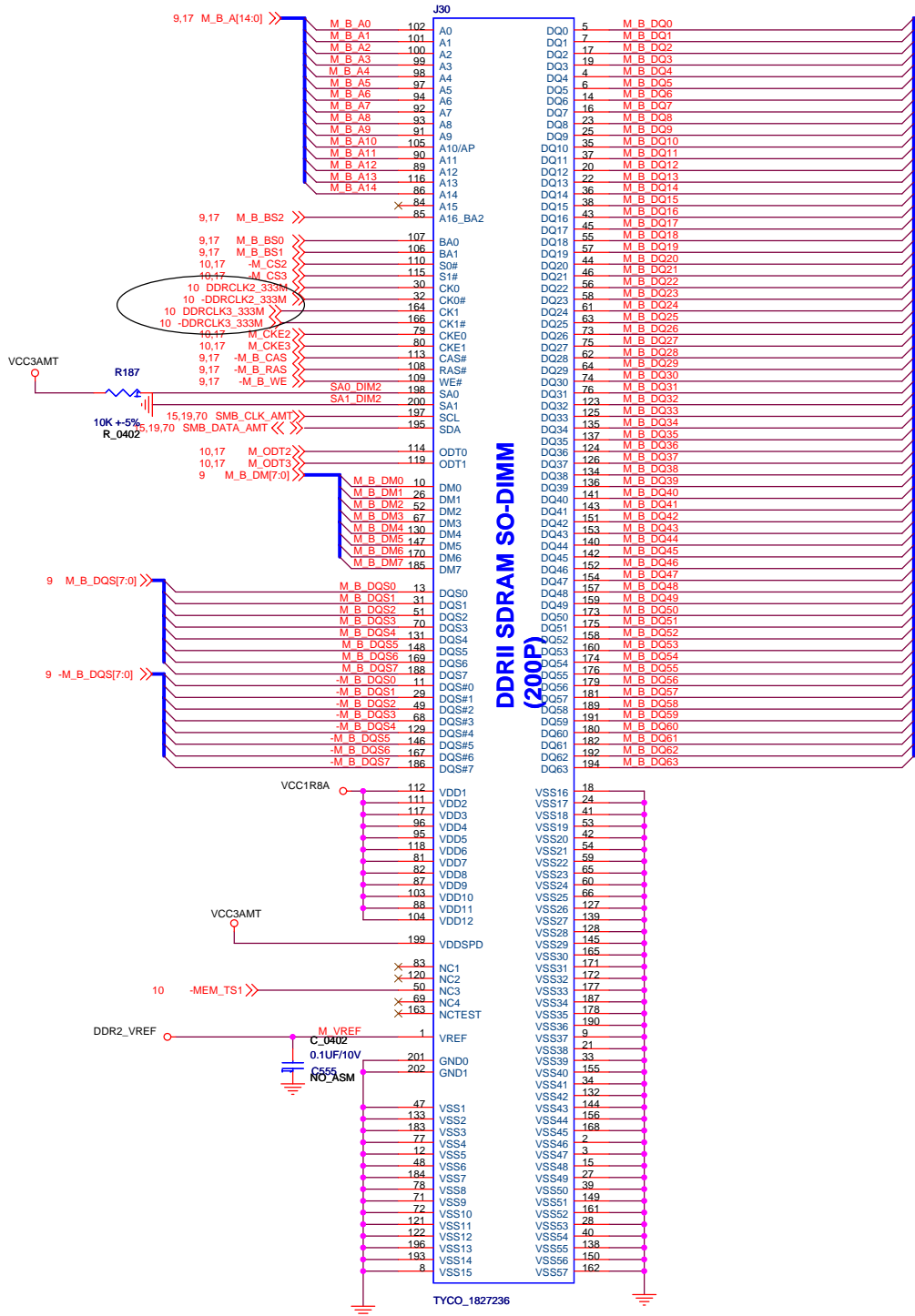


DESIGNER	<OrgAddr1>	
CHECKED	<OrgAddr2>	
APPROVED	<OrgAddr3>	
CLASS	<OrgAddr4>	
THIS DOCUMENT IS THE PROPERTY OF LENOVO. ITS USE IS AUTHORIZED ONLY FOR RESPONDING TO A REQUEST FOR QUOTATION OR FOR THE PERFORMANCE OF WORK FOR LENOVO. ALL QUESTIONS MUST BE REFERRED TO THE LENOVO PURCHASING DEPARTMENT.		
Part No. 42X6811		TITLE: Kodachi Ver.V1.12 NB 965GM-2(POWER,VGA)
EC No. L13790		
sheet 14 of 99		Thursday, May 31, 2007
LENOVO CONFIDENTIAL		




Add two more 0.22uf/10v for VCC1R8A at J21

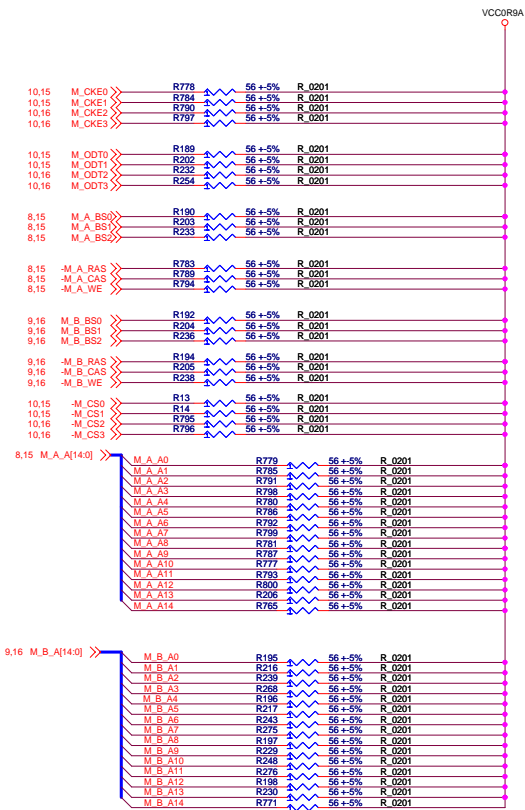
DESIGNER	<OrgAdd1>	
CHECKED	<OrgAdd2>	
APPROVED	<OrgAdd3>	Part No. 42X6811
CLASS	<OrgAdd4>	EC No. L13790
THIS DOCUMENT IS THE PROPERTY OF LENOVO. ITS USE IS AUTHORIZED ONLY FOR RESPONDING TO A REQUEST FOR QUOTATION OR FOR THE PERFORMANCE OF WORK FOR LENOVO. ALL QUESTIONS MUST BE REFERRED TO THE LENOVO PURCHASING DEPARTMENT.		TITLE: Kodachi Ver.V1.12
LENOVO CONFIDENTIAL		sheet 15 of 99 Thursday, May 31, 2007



Add two more 0.22uf/10v for VCC1R8A at J30

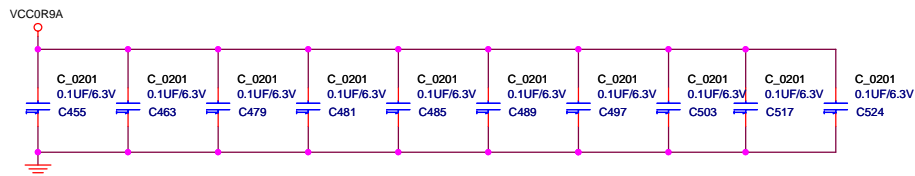
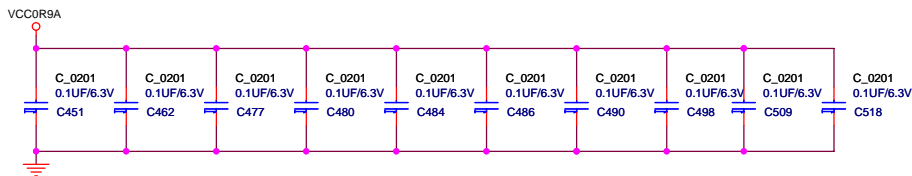
DESIGNER	<OrgAddr1>	
CHECKED	<OrgAddr2>	
APPROVED	<OrgAddr3>	Part No. 42X6811
CLASS	<OrgAddr4>	EC No. L13790
<small>THIS DOCUMENT IS THE PROPERTY OF LENOVO. ITS USE IS AUTHORIZED ONLY FOR RESPONDING TO A REQUEST FOR QUOTATION OR FOR THE PERFORMANCE OF WORK FOR LENOVO. ALL QUESTIONS MUST BE REFERRED TO THE LENOVO PURCHASING DEPARTMENT.</small>		TITLE: Kodachi Ver.V1.12
		DDR2 2
LENOVO CONFIDENTIAL		sheet 16 of 99 Thursday, May 31, 2007






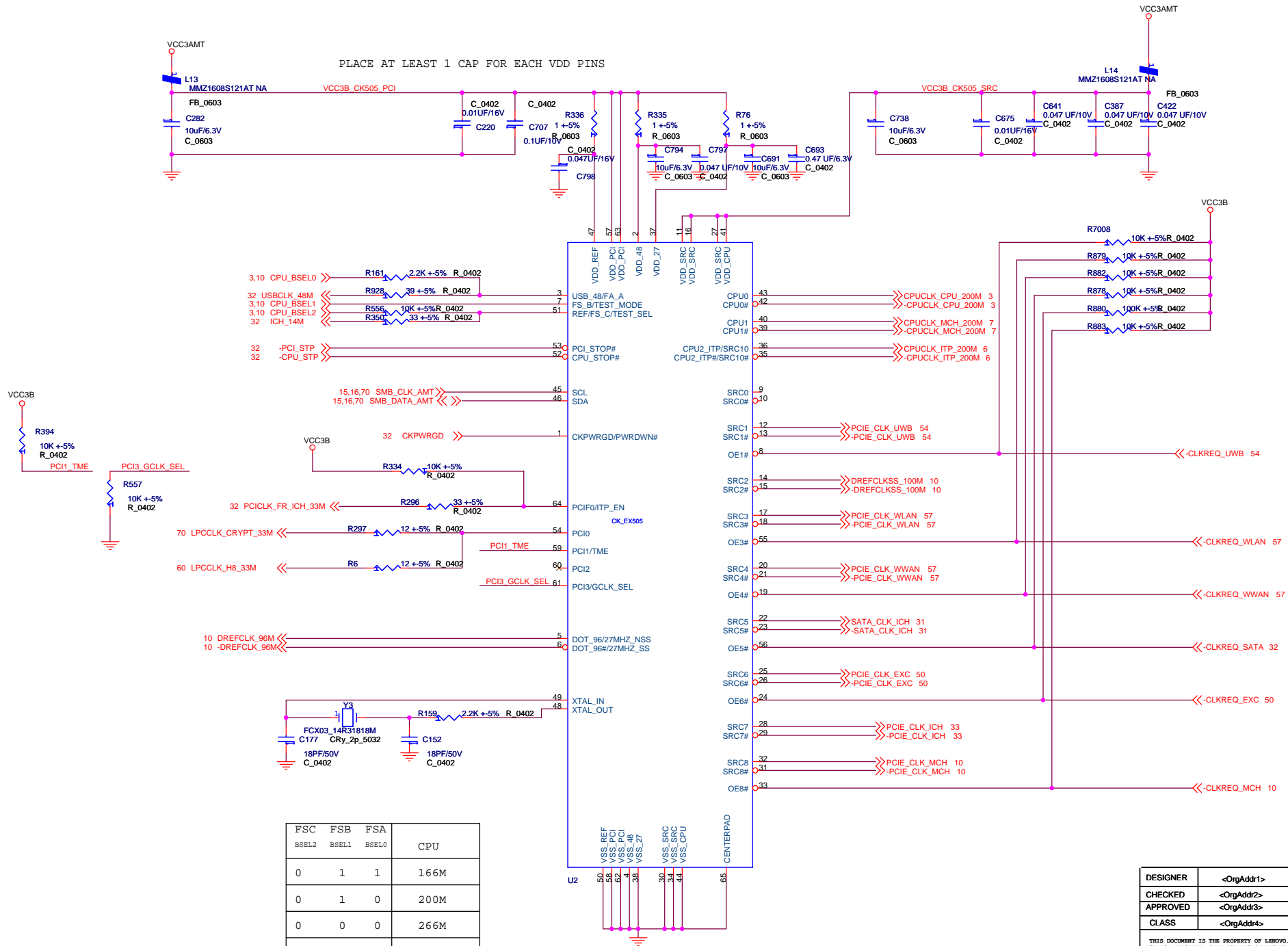
DESIGNER	<OrgAddr1>	
CHECKED	<OrgAddr2>	
APPROVED	<OrgAddr3>	
CLASS	<OrgAddr4>	
THIS DOCUMENT IS THE PROPERTY OF LENOVO. ITS USE IS AUTHORIZED ONLY FOR REFERRING TO A REQUEST FOR QUOTATION OR FOR THE PERFORMANCE OF WORK FOR LENOVO. ALL QUESTIONS MUST BE REFERRED TO THE LENOVO PURCHASING DEPARTMENT.		Part No. 42X6811
		EC No. L13790
		TITLE: Kodachi Ver. V1.12
		DDR2 TERMINATION
LENOVO CONFIDENTIAL		sheet 17 of 99 Thursday, May 31, 2007


PLACE 1 CAP FOR EVERY 2 BITS TERMINATED TO VCC0R9B.



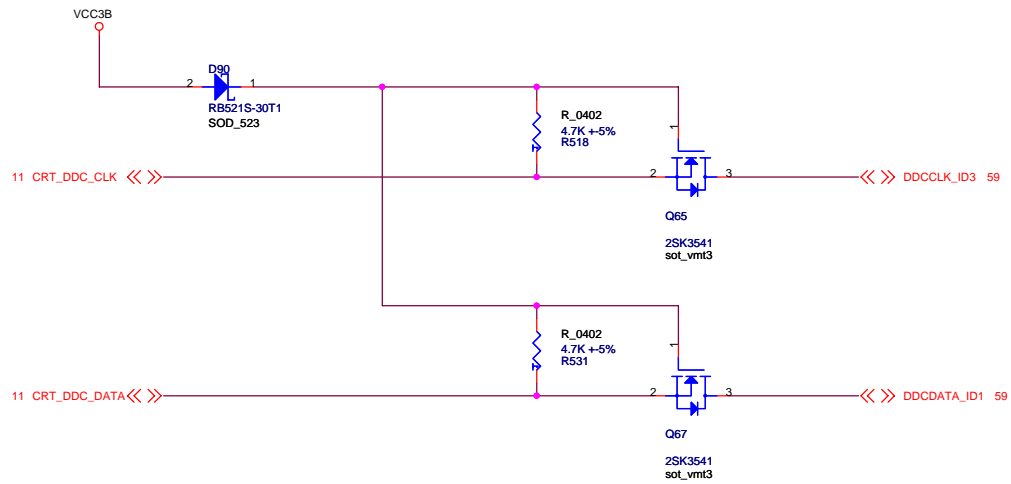
DESIGNER	<OrgAddr1>	
CHECKED	<OrgAddr2>	
APPROVED	<OrgAddr3>	
CLASS	<OrgAddr4>	
<small>THIS DOCUMENT IS THE PROPERTY OF LENOVO. ITS USE IS AUTHORIZED ONLY FOR RESPONDING TO A REQUEST FOR QUOTATION OR FOR THE PERFORMANCE OF WORK FOR LENOVO. ALL QUESTIONS MUST BE REFERRED TO THE LENOVO PURCHASING DEPARTMENT.</small>		Part No . 42X6811
		EC No . L13790
		TITLE: Kodachi Ver.V1.12
		DDR2 DECOUPLING
LENOVO CONFIDENTIAL		sheet 18 of 99 Thursday, May 31, 2007

PLACE AT LEAST 1 CAP FOR EACH VDD PINS

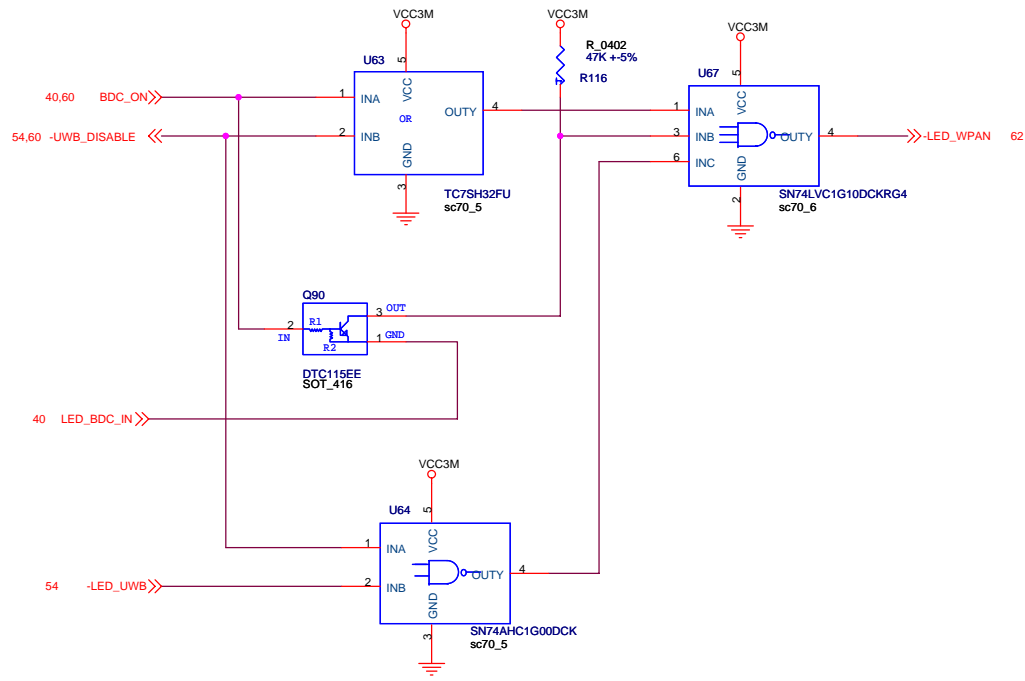



DESIGNER	<OrgAddr1>	
CHECKED	<OrgAddr2>	
APPROVED	<OrgAddr3>	
CLASS	<OrgAddr4>	
<small>THIS DOCUMENT IS THE PROPERTY OF LENOVO. ITS USE IS AUTHORIZED ONLY FOR RESPONDING TO A REQUEST FOR QUOTATION OR FOR THE PERFORMANCE OF WORK FOR LENOVO. ALL QUESTIONS MUST BE REFERRED TO THE LENOVO PURCHASING DEPARTMENT.</small>		Part No. 42X6811
		EC No. L13790
		TITLE: Kodachi Ver.V1.12
		CLOCK GENERATOR
LENOVO CONFIDENTIAL		sheet 19 of 99
		Thursday, May 31, 2007






DESIGNER	<OrgAddr1>	<b>lenovo</b> 联想
CHECKED	<OrgAddr2>	
APPROVED	<OrgAddr3>	
CLASS	<OrgAddr4>	
<small>THIS DOCUMENT IS THE PROPERTY OF LENOVO. ITS USE IS AUTHORIZED ONLY FOR RESPONDING TO A REQUEST FOR QUOTATION OR FOR THE PERFORMANCE OF WORK FOR LENOVO. ALL QUESTIONS MUST BE REFERRED TO THE LENOVO PURCHASING DEPARTMENT.</small>		Part No . 42X6811
		EC No . L13790
		TITLE: Kodachi Ver.V1.12
		CRT DDC CLK/DATA
LENOVO CONFIDENTIAL		sheet 21 of 99 Thursday, May 31, 2007




DESIGNER	<OrgAddr1>	
CHECKED	<OrgAddr2>	
APPROVED	<OrgAddr3>	
CLASS	<OrgAddr4>	
<small>THIS DOCUMENT IS THE PROPERTY OF LENOVO. ITS USE IS AUTHORIZED ONLY FOR RESPONDING TO A REQUEST FOR QUOTATION OR FOR THE PERFORMANCE OF WORK FOR LENOVO. ALL QUESTIONS MUST BE REFERRED TO THE LENOVO PURCHASING DEPARTMENT.</small>		Part No . 42X6811
		EC No . L13790
		TITLE: Kodachi Ver.V1.12
		WPAN LED CONTROL
LENOVO CONFIDENTIAL		sheet 22 of 99 Thursday, May 31, 2007

	A	B	C	D	E	F	G	H	I	J	K	L	M	N	O
9															
8															
7															
6															
5															
4															
3															
2															
1															
	A	B	C	D	E	F	G	H	I	J	K	L	M	N	O


DESIGNER	<OrgAddr1>	
CHECKED	<OrgAddr2>	
APPROVED	<OrgAddr3>	
CLASS	<OrgAddr4>	
<small>THIS DOCUMENT IS THE PROPERTY OF LENOVO. ITS USE IS AUTHORIZED ONLY FOR RESPONDING TO A REQUEST FOR QUOTATION OR FOR THE PERFORMANCE OF WORK FOR LENOVO. ALL QUESTIONS MUST BE REFERRED TO THE LENOVO PURCHASING DEPARTMENT.</small>		Part No . 42X6811
		EC No . L13790
		TITLE: Kodachi Ver.V1.12
		DAV3_INTEG_SIV_W
LENOVO CONFIDENTIAL		sheet 23 of 99 Thursday, May 31, 2007

# BLANK PAGE


DESIGNER	<OrgAddr1>		
CHECKED	<OrgAddr2>		
APPROVED	<OrgAddr3>		Part No . 42X6811
CLASS	<OrgAddr4>		EC No . L13790
<small>THIS DOCUMENT IS THE PROPERTY OF LENOVO. ITS USE IS AUTHORIZED ONLY FOR RESPONDING TO A REQUEST FOR QUOTATION OR FOR THE PERFORMANCE OF WORK FOR LENOVO. ALL QUESTIONS MUST BE REFERRED TO THE LENOVO PURCHASING DEPARTMENT.</small>		TITLE: Kodachi Ver.V1.12	
LENOVO CONFIDENTIAL		sheet 24 of 99 Thursday, May 31, 2007	




# BLANK PAGE

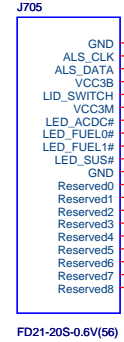
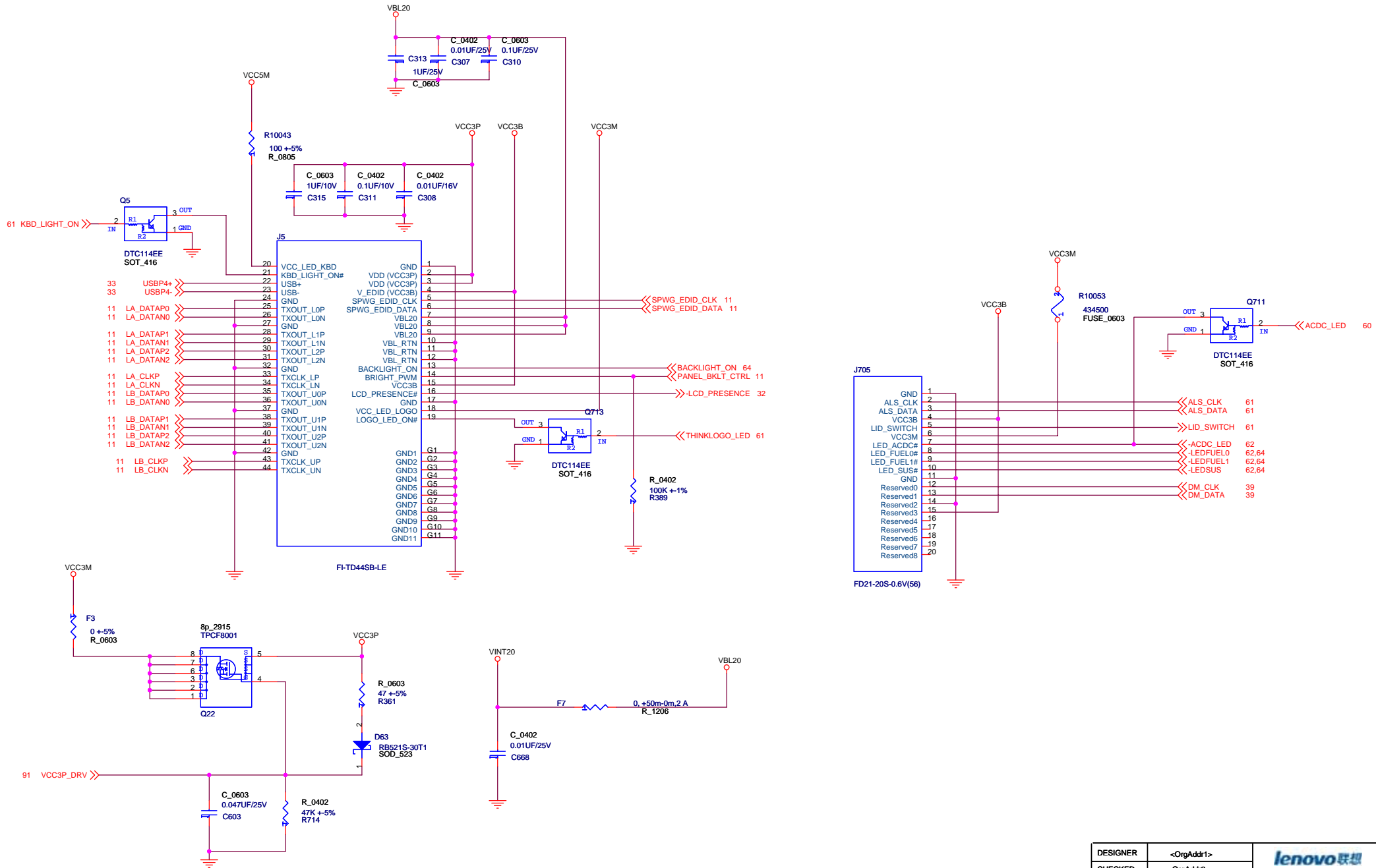
DESIGNER	<OrgAddr1>		
CHECKED	<OrgAddr2>		
APPROVED	<OrgAddr3>		Part No . 42X6811
CLASS	<OrgAddr4>		EC No . L13790
<small>THIS DOCUMENT IS THE PROPERTY OF LENOVO. ITS USE IS AUTHORIZED ONLY FOR RESPONDING TO A REQUEST FOR QUOTATION OR FOR THE PERFORMANCE OF WORK FOR LENOVO. ALL QUESTIONS MUST BE REFERRED TO THE LENOVO PURCHASING DEPARTMENT.</small>		TITLE: Kodachi Ver.V1.12	
LENOVO CONFIDENTIAL		sheet 25 of 99 Thursday, May 31, 2007	


# BLANK PAGE

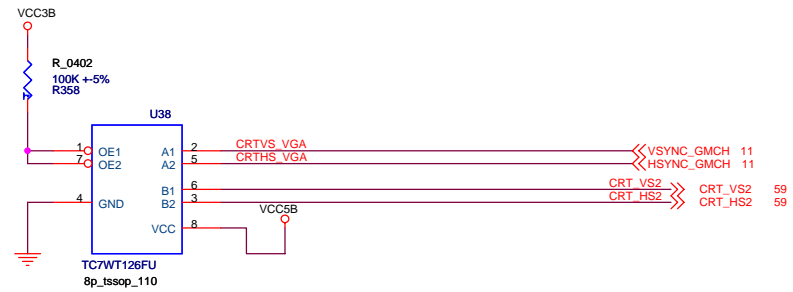
DESIGNER	<OrgAddr1>	
CHECKED	<OrgAddr2>	
APPROVED	<OrgAddr3>	Part No . 42X6811
CLASS	<OrgAddr4>	EC No . L13790
THIS DOCUMENT IS THE PROPERTY OF LENOVO. ITS USE IS AUTHORIZED ONLY FOR RESPONDING TO A REQUEST FOR QUOTATION OR FOR THE PERFORMANCE OF WORK FOR LENOVO. ALL QUESTIONS MUST BE REFERRED TO THE LENOVO PURCHASING DEPARTMENT.		TITLE: Kodachi Ver.V1.12
LENOVO CONFIDENTIAL		sheet 26 of 99 Thursday, May 31, 2007

BLANK PAGE

DESIGNER	<OrgAddr1>	
CHECKED	<OrgAddr2>	
APPROVED	<OrgAddr3>	Part No . 42X6811
CLASS	<OrgAddr4>	EC No . L13790
THIS DOCUMENT IS THE PROPERTY OF LENOVO. ITS USE IS AUTHORIZED ONLY FOR RESPONDING TO A REQUEST FOR QUOTATION OR FOR THE PERFORMANCE OF WORK FOR LENOVO. ALL QUESTIONS MUST BE REFERRED TO THE LENOVO PURCHASING DEPARTMENT.		TITLE: Kodachi Ver.V1.12
LENOVO CONFIDENTIAL		sheet 27 of 99 Thursday, May 31, 2007



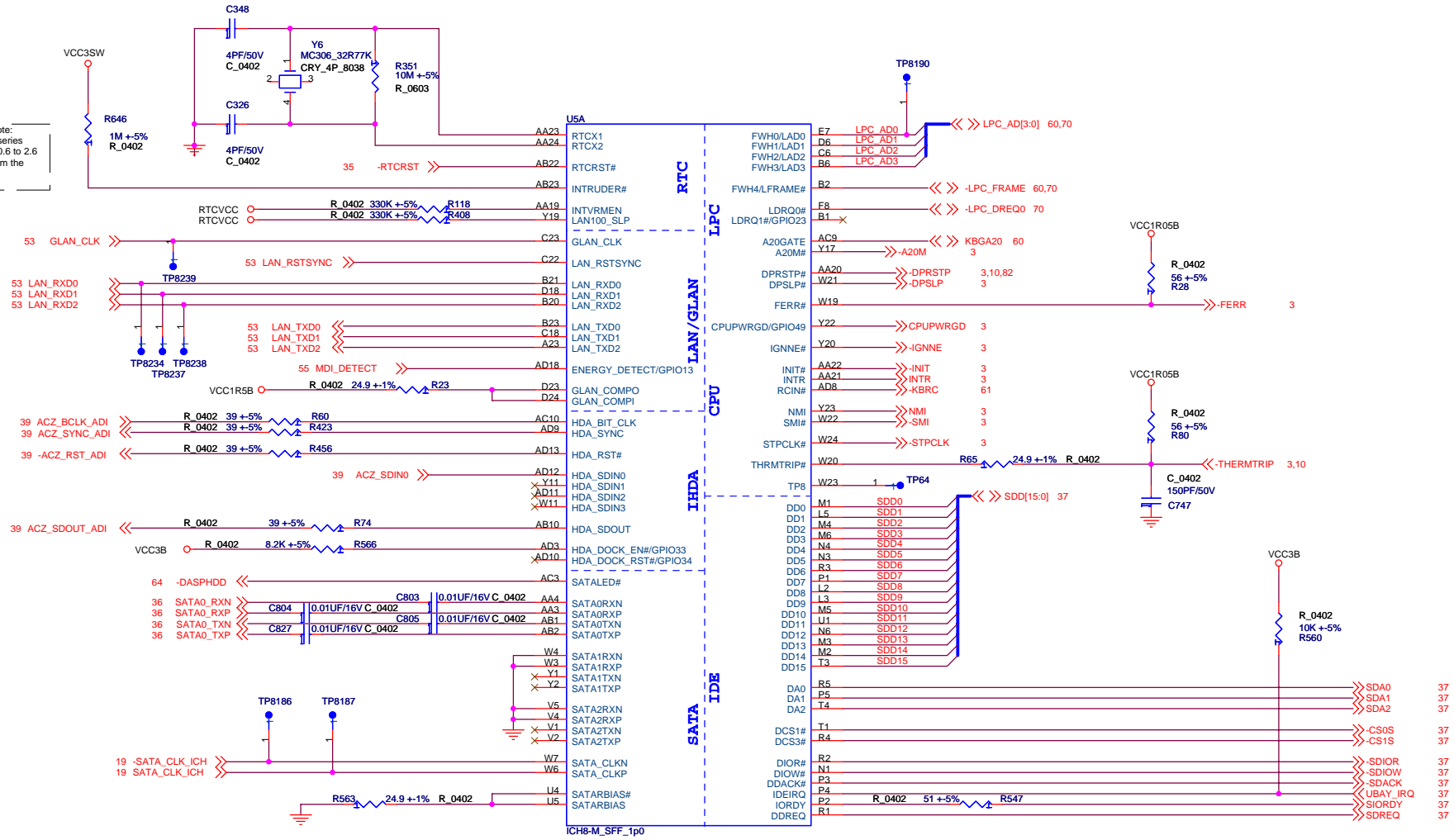
DESIGNER	<OrgAddr1>	
CHECKED	<OrgAddr2>	
APPROVED	<OrgAddr3>	Part No . 42X6811
CLASS	<OrgAddr4>	EC No . L13790
<small>THIS DOCUMENT IS THE PROPERTY OF LENOVO. ITS USE IS AUTHORIZED ONLY FOR RESPONDING TO A REQUEST FOR QUOTATION OR FOR THE PERFORMANCE OF WORK FOR LENOVO. ALL QUESTIONS MUST BE REFERRED TO THE LENOVO PURCHASING DEPARTMENT.</small>		TITLE: Kodachi Ver.V1.12
		LCD_CONN
LENOVO CONFIDENTIAL		sheet 28 of 99 Thursday, May 31, 2007




DESIGNER	<OrgAddr1>	<b>lenovo</b> 联想
CHECKED	<OrgAddr2>	
APPROVED	<OrgAddr3>	Part No . 42X6811
CLASS	<OrgAddr4>	EC No . L13790
THIS DOCUMENT IS THE PROPERTY OF LENOVO. ITS USE IS AUTHORIZED ONLY FOR RESPONDING TO A REQUEST FOR QUOTATION OR FOR THE PERFORMANCE OF WORK FOR LENOVO. ALL QUESTIONS MUST BE REFERRED TO THE LENOVO PURCHASING DEPARTMENT.		TITLE: Kodachi Ver.V1.12
LENOVO CONFIDENTIAL		VGA_CONN
		sheet 29 of 99 Thursday, May 31, 2007

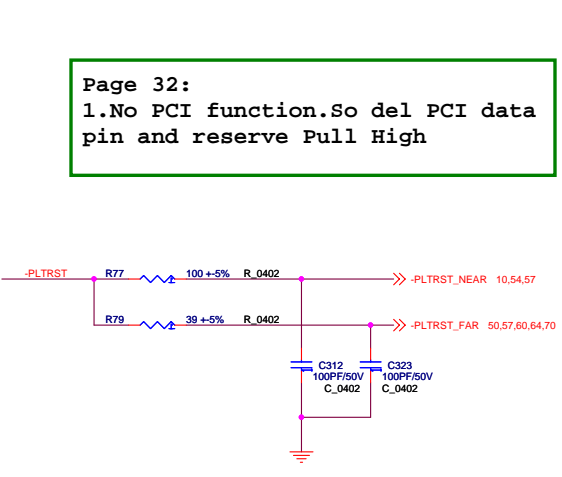
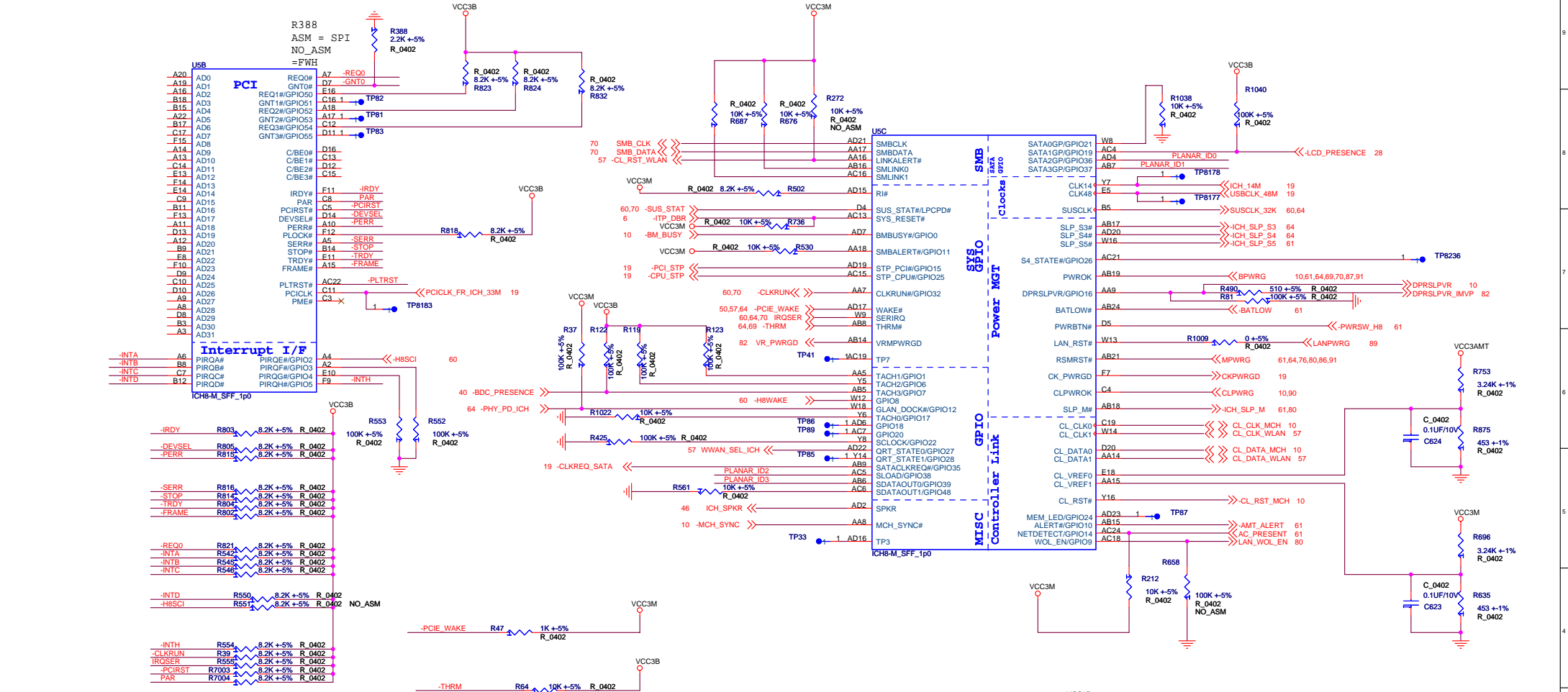


Layout Note:  
Place all series resistors 0.6 to 2.6 inches from the ICH

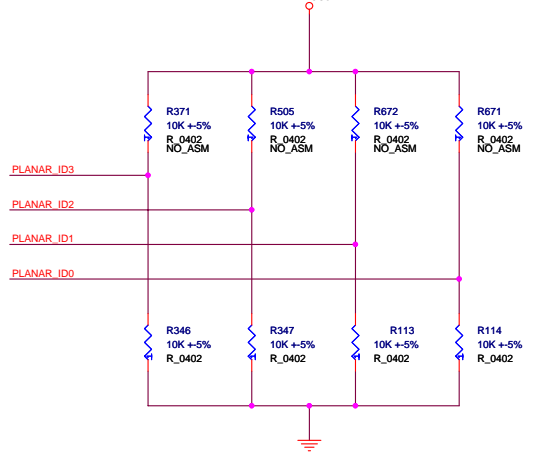



DESIGNER	<OrgAddr1>	
CHECKED	<OrgAddr2>	
APPROVED	<OrgAddr3>	Part No. 42X6811
CLASS	<OrgAddr4>	EC No. L13790
<small>THIS DOCUMENT IS THE PROPERTY OF LENOVO. ITS USE IS AUTHORIZED ONLY FOR RESPONDING TO A REQUEST FOR QUOTATION OR FOR THE PERFORMANCE OF WORK FOR LENOVO. ALL QUESTIONS MUST BE REFERRED TO THE LENOVO PURCHASING DEPARTMENT.</small>		TITLE: Kodachi Ver.V1.12
		SB ICH8-M1
LENOVO CONFIDENTIAL		sheet 31 of 99 Thursday, May 31, 2007

Page 32:  
1.No PCI function.So del PCI data pin and reserve Pull High

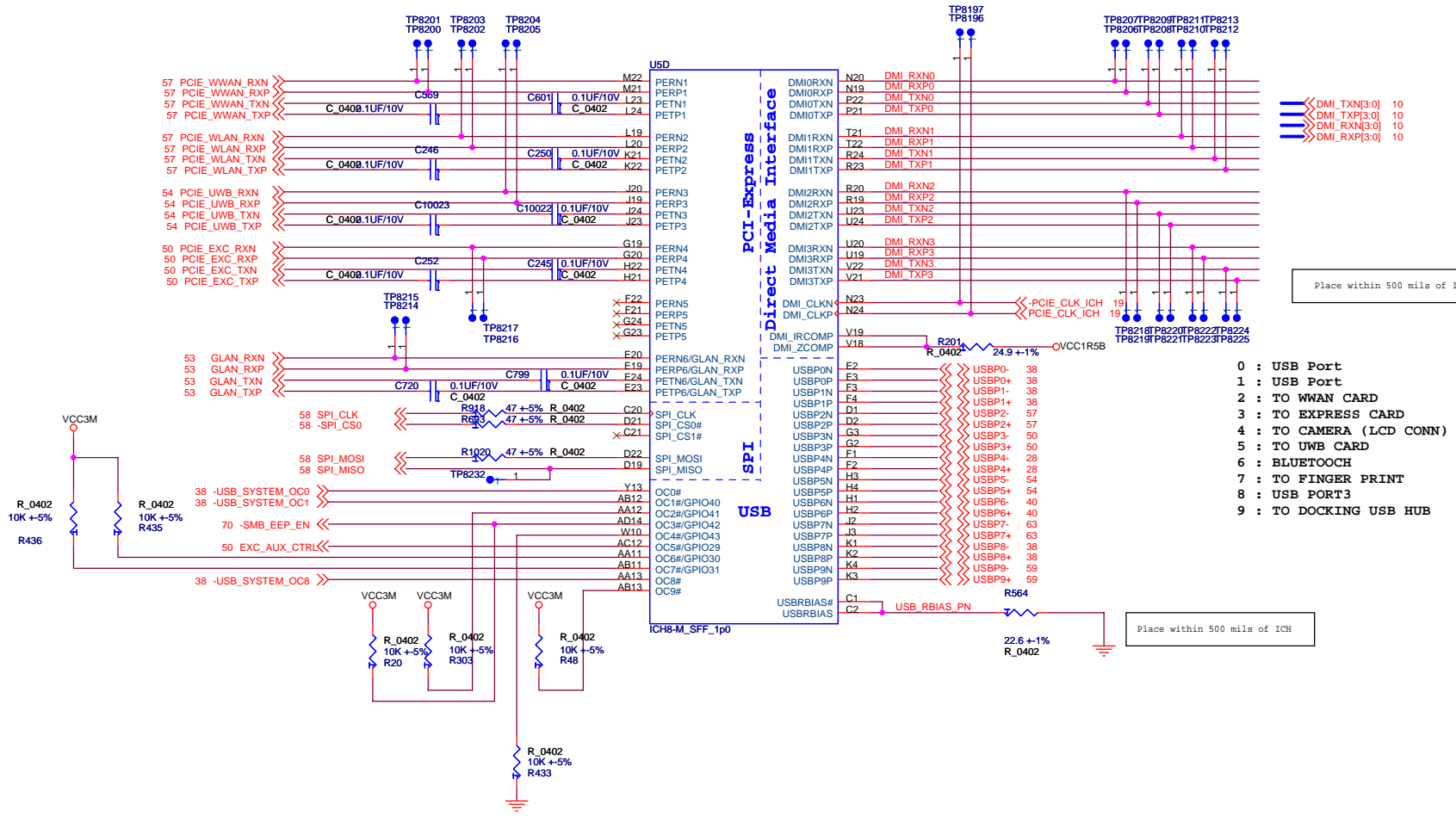


PLANAR_ID	3	2	1	0
PULL-UP	R371	R505	R672	R671
PULL-DOWN	R346	R347	R113	R114
SDV	0	0	0	0



DESIGNER	<OrgAddr1>	
CHECKED	<OrgAddr2>	
APPROVED	<OrgAddr3>	Part No. 42X8811
CLASS	<OrgAddr4>	EC No. L13790
<small>THIS DOCUMENT IS THE PROPERTY OF LENOVO. ITS USE IS AUTHORIZED ONLY FOR RESPONDING TO A REQUEST FOR QUOTATION OR FOR THE PERFORMANCE OF WORK FOR LENOVO. ALL QUESTIONS MUST BE REFERRED TO THE LENOVO PURCHASING DEPARTMENT.</small>		TITLE: Kodachi Ver. V1.12 SB ICH8M-2
LENOVO CONFIDENTIAL		sheet 32 of 99 Thursday, May 31, 2007





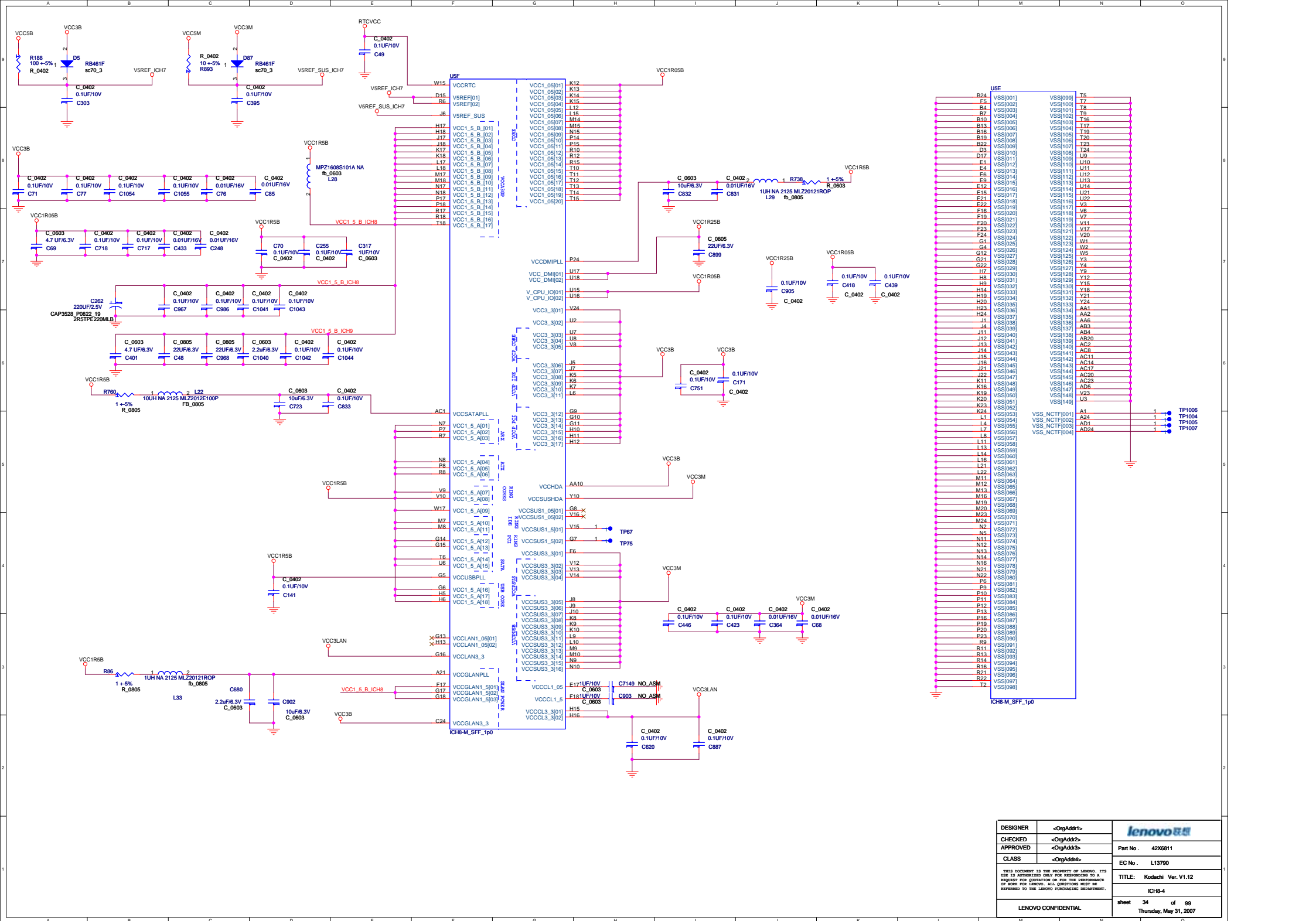
DMI\_TXN[3:0] 10  
 DMI\_TXP[3:0] 10  
 DMI\_RXN[3:0] 10  
 DMI\_RXP[3:0] 10

Place within 500 mils of ICH

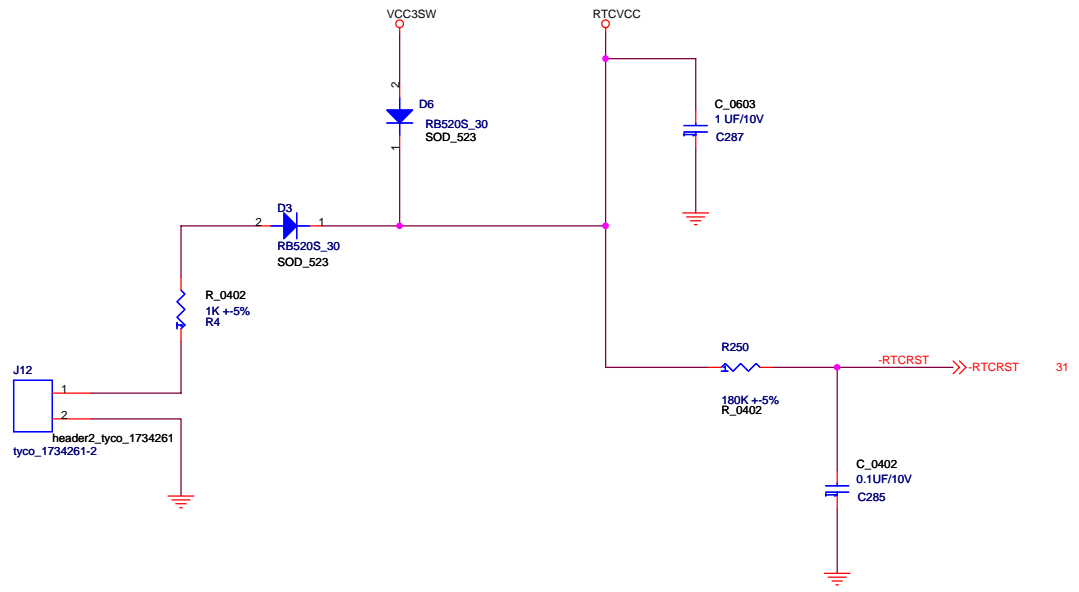
- 0 : USB Port
- 1 : USB Port
- 2 : TO WWAN CARD
- 3 : TO EXPRESS CARD
- 4 : TO CAMERA (LCD CONN)
- 5 : TO UWB CARD
- 6 : BLUETOOTH
- 7 : TO FINGER PRINT
- 8 : USB PORT3
- 9 : TO DOCKING USB HUB

Place within 500 mils of ICH

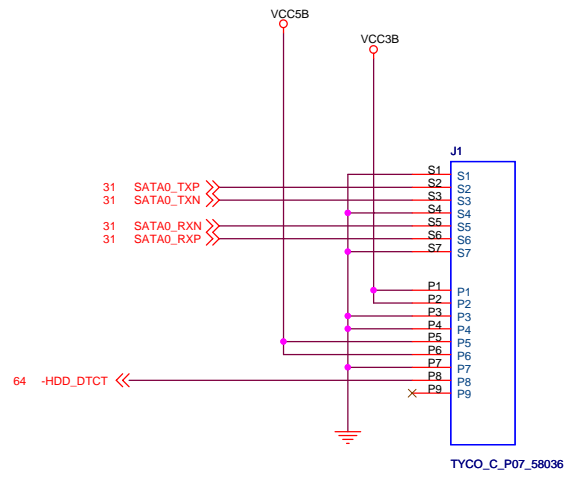
DESIGNER	<OrgAddr1>	
CHECKED	<OrgAddr2>	
APPROVED	<OrgAddr3>	Part No. 42X6811
CLASS	<OrgAddr4>	EC No. L13790
<small>THIS DOCUMENT IS THE PROPERTY OF LENOVO. ITS USE IS AUTHORIZED ONLY FOR RESPONDING TO A REQUEST FOR QUOTATION OR FOR THE PERFORMANCE OF WORK FOR LENOVO. ALL QUESTIONS MUST BE REFERRED TO THE LENOVO PURCHASING DEPARTMENT.</small>		
		TITLE: Kodachi Ver.V1.12
		ICH8-3
LENOVO CONFIDENTIAL		sheet 33 of 99 Thursday, May 31, 2007



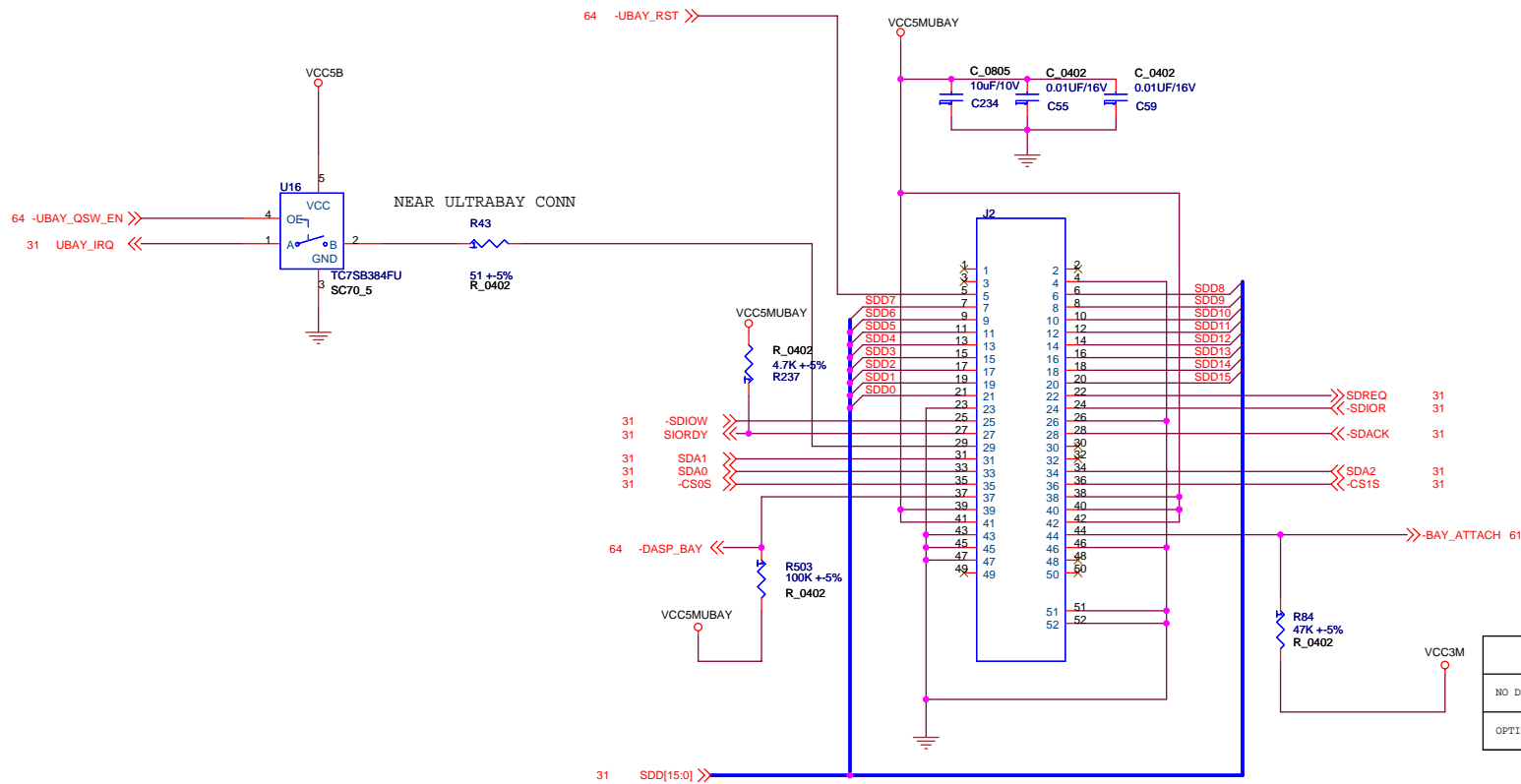
DESIGNER	<OrgAddr1>		
CHECKED	<OrgAddr2>		
APPROVED	<OrgAddr3>	Part No.	42X6811
CLASS	<OrgAddr4>	EC No.	L13790
<small>THIS DOCUMENT IS THE PROPERTY OF Lenovo. ITS USE IS RESTRICTED ONLY FOR REFERRING TO A REQUEST FOR QUOTATION OR FOR THE PERFORMANCE OF WORK FOR Lenovo. ALL QUESTIONS MUST BE REFERRED TO THE Lenovo PURCHASING DEPARTMENT.</small>		TITLE:	Kodachi Ver.V1.12
LENOVO CONFIDENTIAL		sheet	34 of 99 Thursday, May 31, 2007



DESIGNER	<OrgAddr1>	<b>lenovo</b> 联想
CHECKED	<OrgAddr2>	
APPROVED	<OrgAddr3>	Part No . 42X6811
CLASS	<OrgAddr4>	EC No . L13790
<small>THIS DOCUMENT IS THE PROPERTY OF LENOVO. ITS USE IS AUTHORIZED ONLY FOR RESPONDING TO A REQUEST FOR QUOTATION OR FOR THE PERFORMANCE OF WORK FOR LENOVO. ALL QUESTIONS MUST BE REFERRED TO THE LENOVO PURCHASING DEPARTMENT.</small>		TITLE: Kodachi Ver.V1.12
LENOVO CONFIDENTIAL		FWH,RTC BATTERY
		sheet 35 of 99 Thursday, May 31, 2007

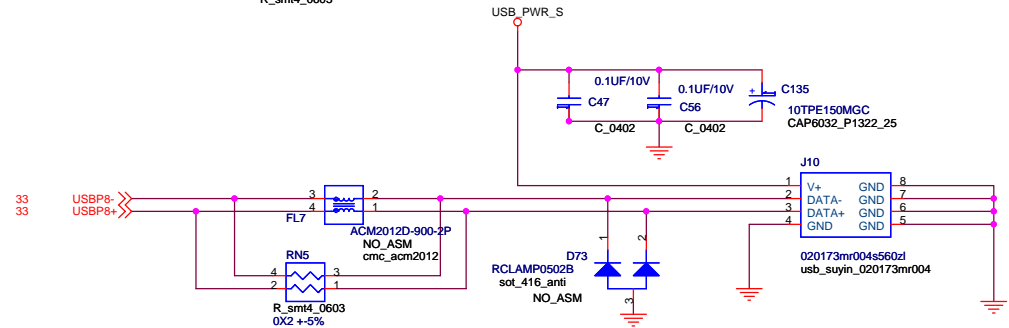
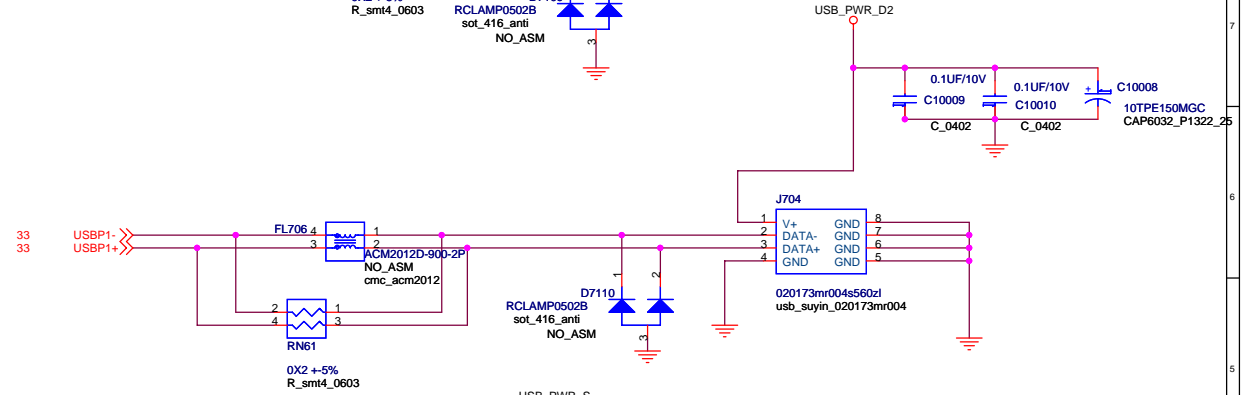
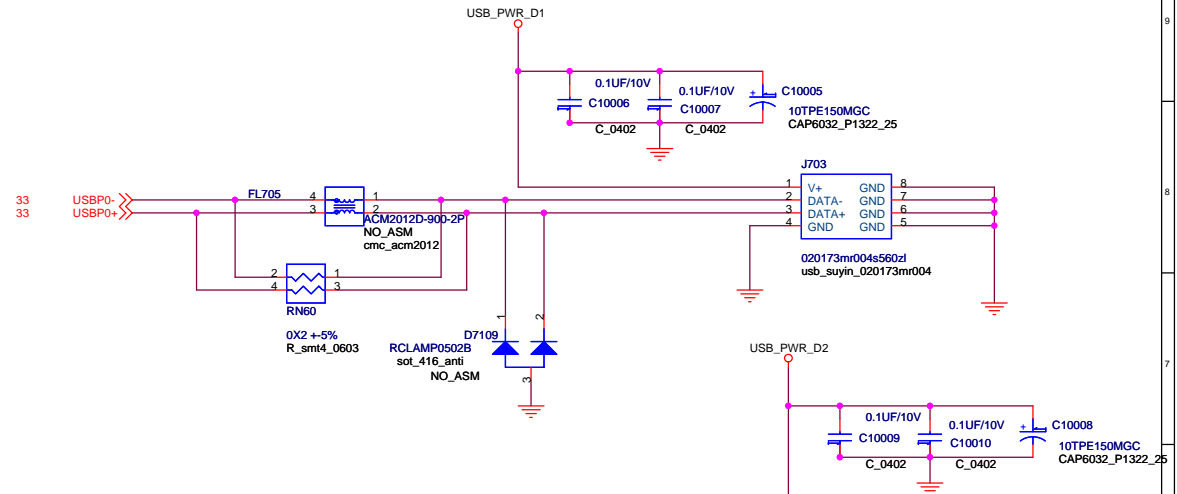
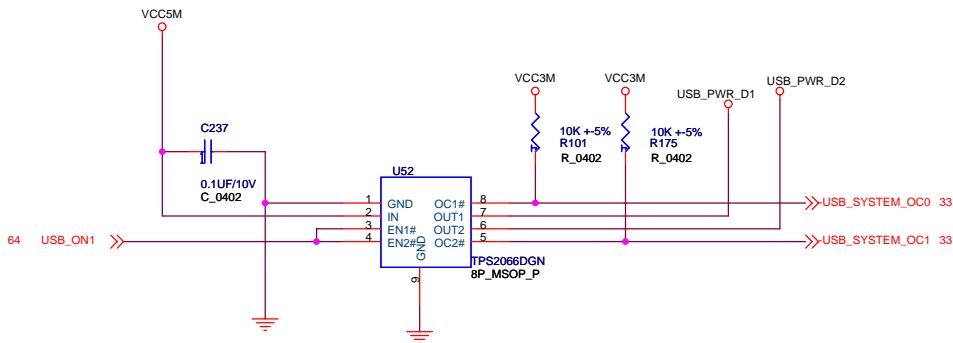
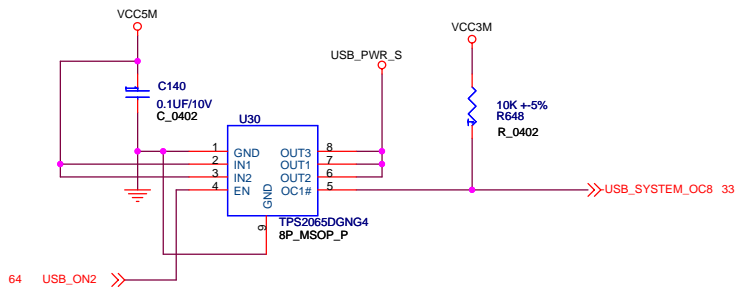



DESIGNER	<OrgAddr1>	<b>lenovo</b> 联想
CHECKED	<OrgAddr2>	
APPROVED	<OrgAddr3>	Part No . 42X6811
CLASS	<OrgAddr4>	EC No . L13790
<small>THIS DOCUMENT IS THE PROPERTY OF LENOVO. ITS USE IS AUTHORIZED ONLY FOR RESPONDING TO A REQUEST FOR QUOTATION OR FOR THE PERFORMANCE OF WORK FOR LENOVO. ALL QUESTIONS MUST BE REFERRED TO THE LENOVO PURCHASING DEPARTMENT.</small>		TITLE: Kodachi Ver.V1.12
		SATA HDD CONN
LENOVO CONFIDENTIAL		sheet 36 of 99 Thursday, May 31, 2007

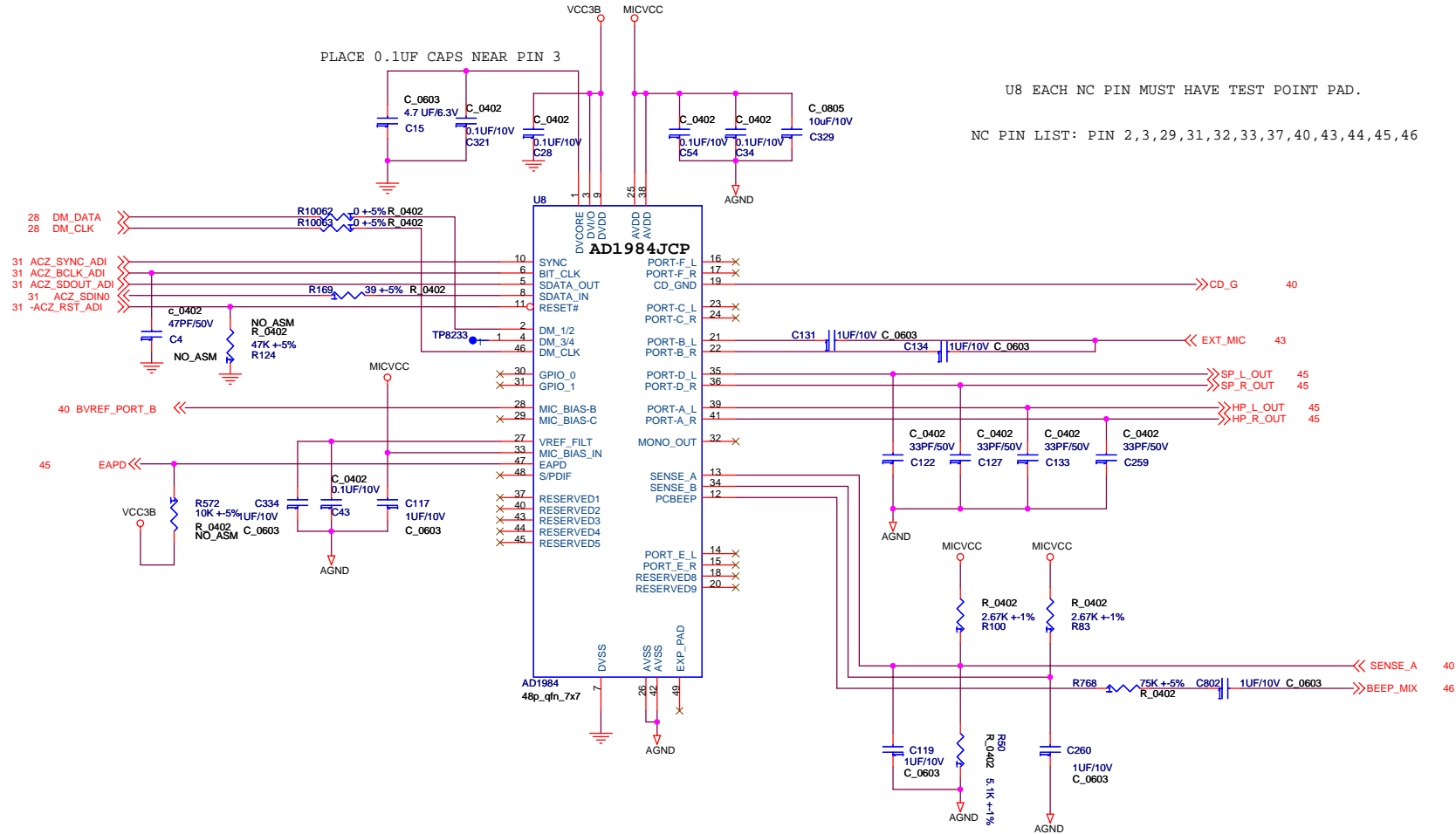


	-BAY_ATTACH
NO DEVICE	H
OPTICAL	L

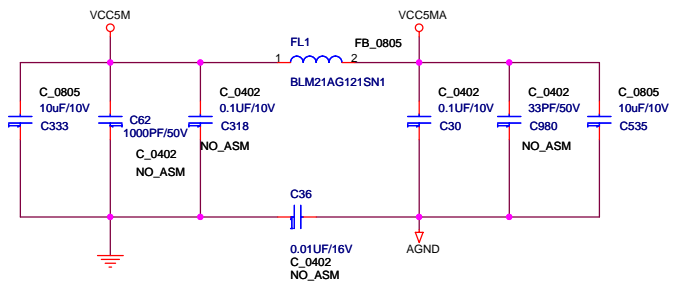
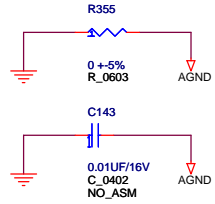
DESIGNER	<OrgAdd1>	<b>lenovo</b> 联想
CHECKED	<OrgAdd2>	
APPROVED	<OrgAdd3>	
CLASS	<OrgAdd4>	
<small>THIS DOCUMENT IS THE PROPERTY OF LENOVO. ITS USE IS AUTHORIZED ONLY FOR RESPONDING TO A REQUEST FOR QUOTATION OR FOR THE PERFORMANCE OF WORK FOR LENOVO. ALL QUESTIONS MUST BE REFERRED TO THE LENOVO PURCHASING DEPARTMENT.</small>		Part No . 42X6811
		EC No . L13790
		TITLE: Kodachi Ver.V1.12
		BAY I/F CONN
LENOVO CONFIDENTIAL		sheet 37 of 99 Thursday, May 31, 2007



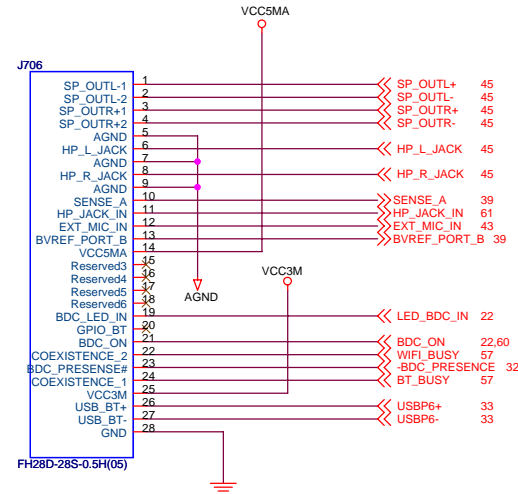
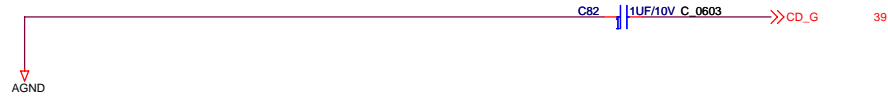
DESIGNER	<OrgAddr1>	 Part No. 42X6811 EC No. L13790 TITLE: Kodachi Ver.V1.12 USB PWR/CONN sheet 38 of 99 Thursday, May 31, 2007
CHECKED	<OrgAddr2>	
APPROVED	<OrgAddr3>	
CLASS	<OrgAddr4>	
THIS DOCUMENT IS THE PROPERTY OF LENOVO. ITS USE IS AUTHORIZED ONLY FOR RESPONDING TO A REQUEST FOR QUOTATION OR FOR THE PERFORMANCE OF WORK FOR LENOVO. ALL QUESTIONS MUST BE REFERRED TO THE LENOVO PURCHASING DEPARTMENT.		
LENOVO CONFIDENTIAL		




PLACE UNDER AD1984HD




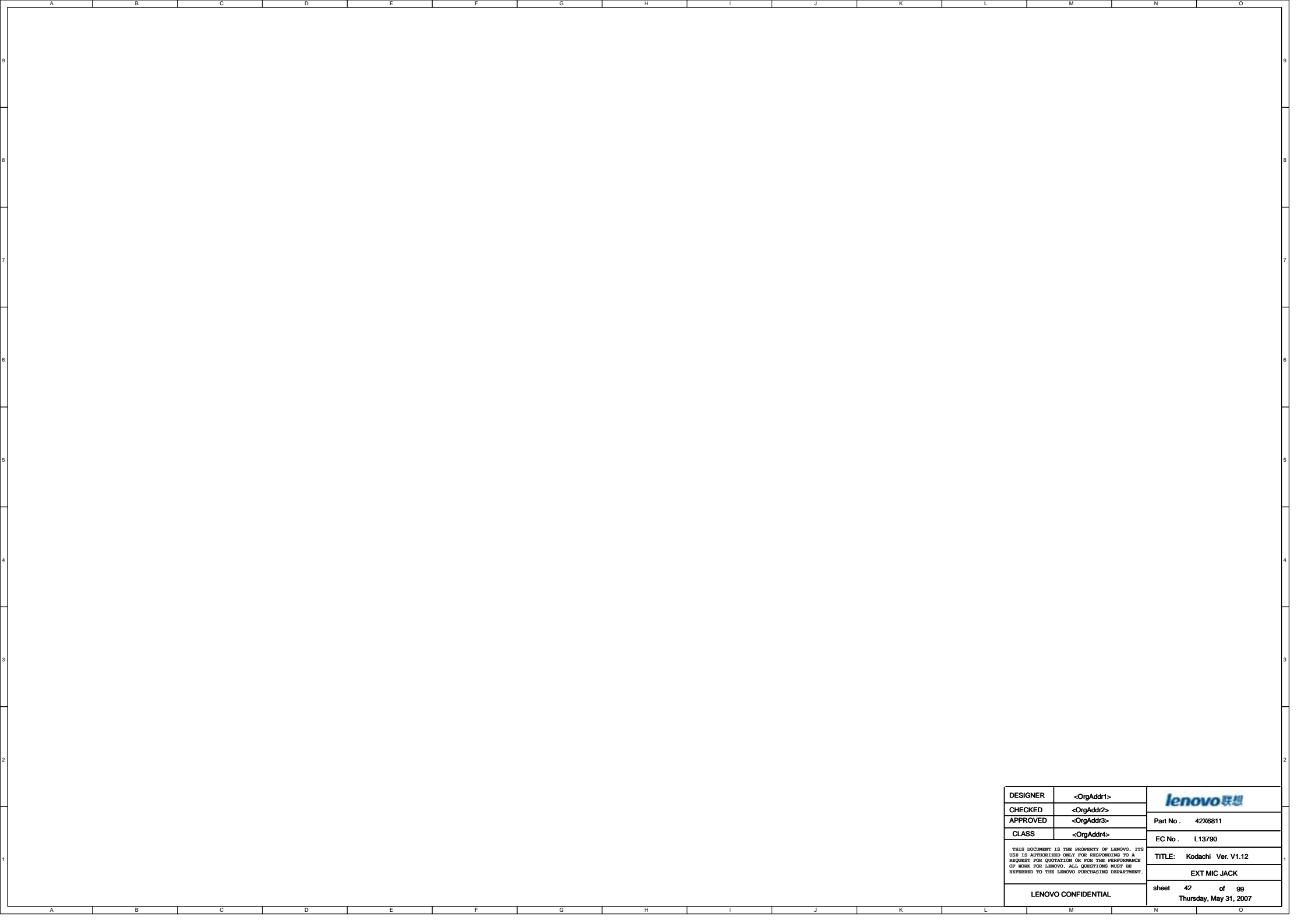
DESIGNER	<OrgAddr1>	
CHECKED	<OrgAddr2>	
APPROVED	<OrgAddr3>	Part No. 42X6811
CLASS	<OrgAddr4>	EC No. L13790
THIS DOCUMENT IS THE PROPERTY OF LENOVO. ITS USE IS AUTHORIZED ONLY FOR RESPONDING TO A REQUEST FOR QUOTATION OR FOR THE PERFORMANCE OF WORK FOR LENOVO. ALL QUESTIONS MUST BE REFERRED TO THE LENOVO PURCHASING DEPARTMENT.		TITLE: Kodachi Ver.V1.12
LENOVO CONFIDENTIAL		AUDIO AD1984
		sheet 39 of 99 Thursday, May 31, 2007




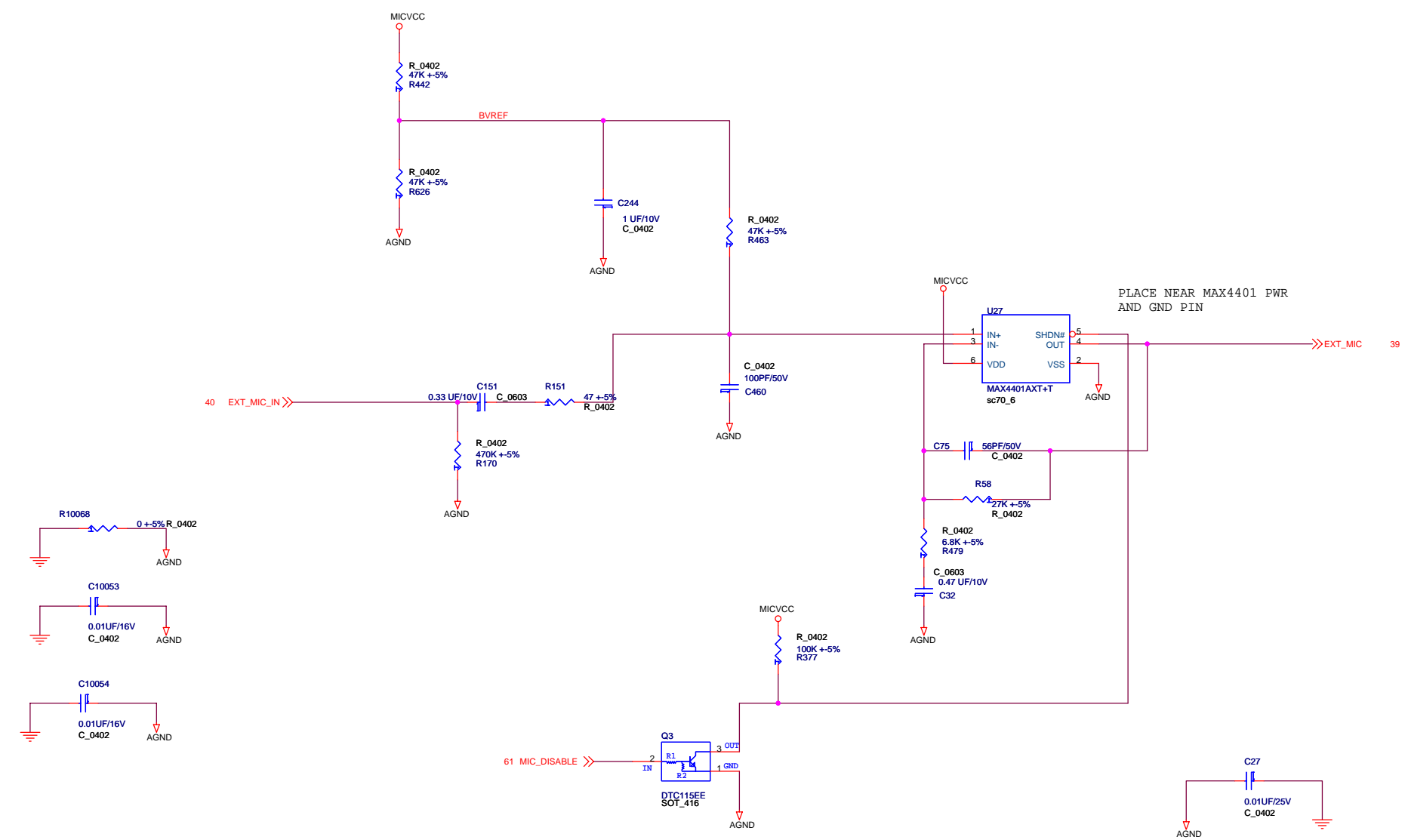
DESIGNER	<OrgAddr1>	
CHECKED	<OrgAddr2>	
APPROVED	<OrgAddr3>	
CLASS	<OrgAddr4>	
<small>THIS DOCUMENT IS THE PROPERTY OF LENOVO. ITS USE IS AUTHORIZED ONLY FOR RESPONDING TO A REQUEST FOR QUOTATION OR FOR THE PERFORMANCE OF WORK FOR LENOVO. ALL QUESTIONS MUST BE REFERRED TO THE LENOVO PURCHASING DEPARTMENT.</small>		Part No . 42X6811
		EC No . L13790
		TITLE: Kodachi Ver.V1.12
		AUDIO MISC
LENOVO CONFIDENTIAL		sheet 40 of 99 Thursday, May 31, 2007



DESIGNER	<OrgAddr1>		
CHECKED	<OrgAddr2>		
APPROVED	<OrgAddr3>		Part No . 42X6811
CLASS	<OrgAddr4>		EC No . L13790
<small>THIS DOCUMENT IS THE PROPERTY OF LENOVO. ITS USE IS AUTHORIZED ONLY FOR RESPONDING TO A REQUEST FOR QUOTATION OR FOR THE PERFORMANCE OF WORK FOR LENOVO. ALL QUESTIONS MUST BE REFERRED TO THE LENOVO PURCHASING DEPARTMENT.</small>		TITLE: Kodachi Ver.V1.12	
LENOVO CONFIDENTIAL		AUDIO INT MIC	
		sheet 41 of 99 Thursday, May 31, 2007	

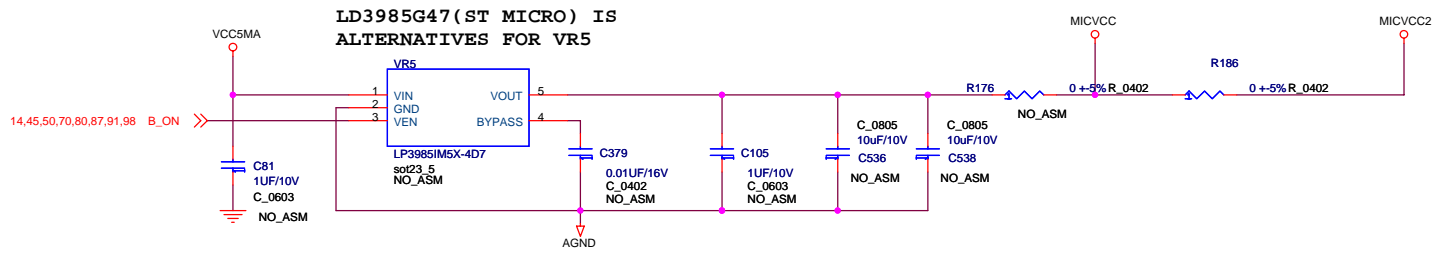



DESIGNER	<OrgAddr1>	
CHECKED	<OrgAddr2>	
APPROVED	<OrgAddr3>	
CLASS	<OrgAddr4>	
<small>THIS DOCUMENT IS THE PROPERTY OF LENOVO. ITS USE IS AUTHORIZED ONLY FOR RESPONDING TO A REQUEST FOR QUOTATION OR FOR THE PERFORMANCE OF WORK FOR LENOVO. ALL QUESTIONS MUST BE REFERRED TO THE LENOVO PURCHASING DEPARTMENT.</small>		Part No . 42X6811
		EC No . L13790
		TITLE: Kodachi Ver.V1.12
		EXT MIC JACK
LENOVO CONFIDENTIAL		sheet 42 of 99 Thursday, May 31, 2007




PLACE NEAR MAX4401 PWR AND GND PIN

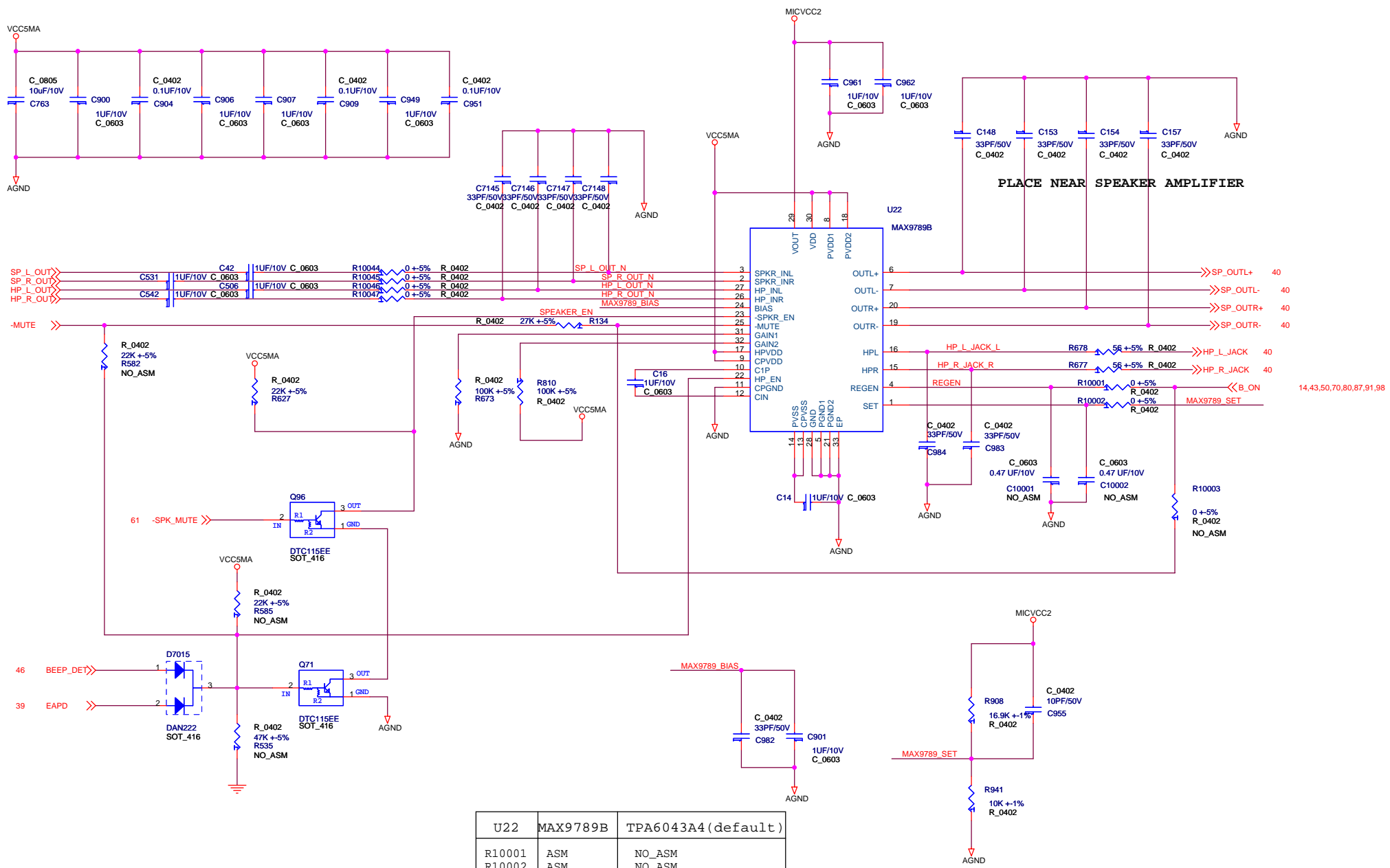
**LD3985G47 (ST MICRO) IS ALTERNATIVES FOR VR5**



DESIGNER	<OrgAddr1>	
CHECKED	<OrgAddr2>	
APPROVED	<OrgAddr3>	
CLASS	<OrgAddr4>	
THIS DOCUMENT IS THE PROPERTY OF LENOVO. ITS USE IS AUTHORIZED ONLY FOR RESPONDING TO A REQUEST FOR QUOTATION OR FOR THE PERFORMANCE OF WORK FOR LENOVO. ALL QUESTIONS MUST BE REFERRED TO THE LENOVO PURCHASING DEPARTMENT.		Part No . 42X6811
		EC No . L13790
		TITLE: Kodachi Ver.V1.12
		AUDIO EXT MIC AMP
LENOVO CONFIDENTIAL		sheet 43 of 99 Thursday, May 31, 2007

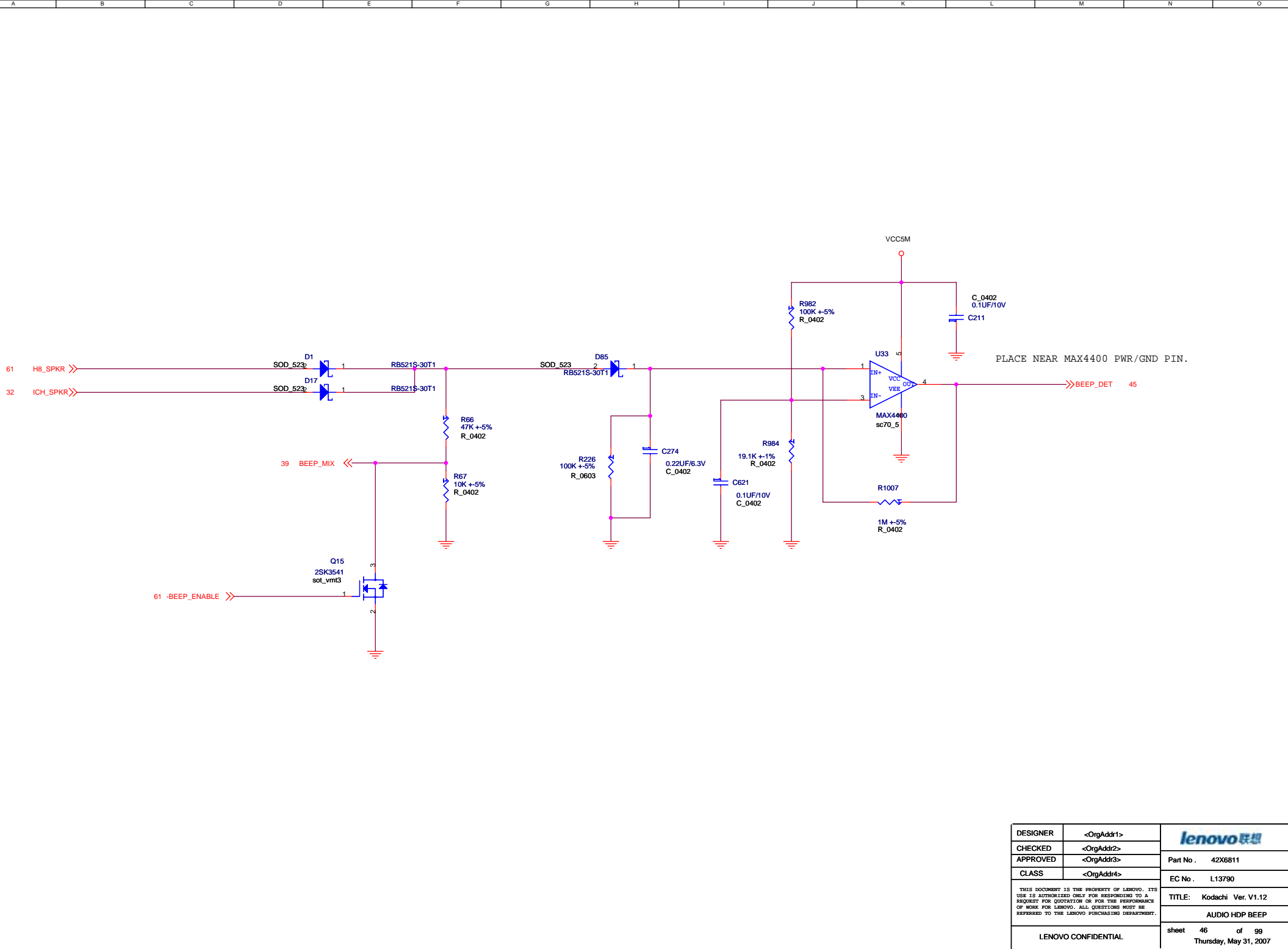
9																						
8																						
7																						
6																						
5																						
4																						
3																						
2																						
1																						
	A	B	C	D	E	F	G	H	I	J	K	L	M	N	O							


DESIGNER	<OrgAddr1>	
CHECKED	<OrgAddr2>	
APPROVED	<OrgAddr3>	
CLASS	<OrgAddr4>	
<small>THIS DOCUMENT IS THE PROPERTY OF LENOVO. ITS USE IS AUTHORIZED ONLY FOR RESPONDING TO A REQUEST FOR QUOTATION OR FOR THE PERFORMANCE OF WORK FOR LENOVO. ALL QUESTIONS MUST BE REFERRED TO THE LENOVO PURCHASING DEPARTMENT.</small>		Part No . 42X6811
		EC No . L13790
<small>LENOVO CONFIDENTIAL</small>		TITLE: Kodachi Ver. V1.12 <b>AUDIO SPEAKER</b>
		sheet 44 of 99 Thursday, May 31, 2007




U22	MAX9789B	TPA6043A4 (default)
R10001	ASM	NO_ASM
R10002	ASM	NO_ASM
R10003	NO_ASM	ASM
R134	ASM	NO_ASM
C10001	NO_ASM	ASM
C10002	NO_ASM	ASM

DESIGNER	<OrgAddr1>	
CHECKED	<OrgAddr2>	
APPROVED	<OrgAddr3>	Part No. 42X6811
CLASS	<OrgAddr4>	EC No. L13790
<small>THIS DOCUMENT IS THE PROPERTY OF LENOVO. ITS USE IS AUTHORIZED ONLY FOR RESPONDING TO A REQUEST FOR QUOTATION OR FOR THE PERFORMANCE OF WORK FOR LENOVO. ALL QUESTIONS MUST BE REFERRED TO THE LENOVO PURCHASING DEPARTMENT.</small>		TITLE: Kodachi Ver.V1.12
LENOVO CONFIDENTIAL		AUDIO HDP AMP
		sheet 45 of 99
		Thursday, May 31, 2007




DESIGNER	<OrgAddr1>	
CHECKED	<OrgAddr2>	
APPROVED	<OrgAddr3>	
CLASS	<OrgAddr4>	
<small>THIS DOCUMENT IS THE PROPERTY OF LENOVO. ITS USE IS AUTHORIZED ONLY FOR RESPONDING TO A REQUEST FOR QUOTATION OR FOR THE PERFORMANCE OF WORK FOR LENOVO. ALL QUESTIONS MUST BE REFERRED TO THE LENOVO PURCHASING DEPARTMENT.</small>		Part No . 42X6811
		EC No . L13790
		TITLE: Kodachi Ver.V1.12
		AUDIO HDP BEEP
LENOVO CONFIDENTIAL		sheet 46 of 99 Thursday, May 31, 2007

A	B	C	D	E	F	G	H	I	J	K	L	M	N	O
9														
8														
7														
6														
5														
4														
3														
2														
1														
A	B	C	D	E	F	G	H	I	J	K	L	M	N	O


DESIGNER	<OrgAddr1>	
CHECKED	<OrgAddr2>	
APPROVED	<OrgAddr3>	
CLASS	<OrgAddr4>	
<small>THIS DOCUMENT IS THE PROPERTY OF LENOVO. ITS USE IS AUTHORIZED ONLY FOR RESPONDING TO A REQUEST FOR QUOTATION OR FOR THE PERFORMANCE OF WORK FOR LENOVO. ALL QUESTIONS MUST BE REFERRED TO THE LENOVO PURCHASING DEPARTMENT.</small>		Part No . 42X6811
		EC No . L13790
		TITLE: Kodachi Ver.V1.12
LENOVO CONFIDENTIAL		MDC Conexant CX20548
		sheet 47 of 99 Thursday, May 31, 2007

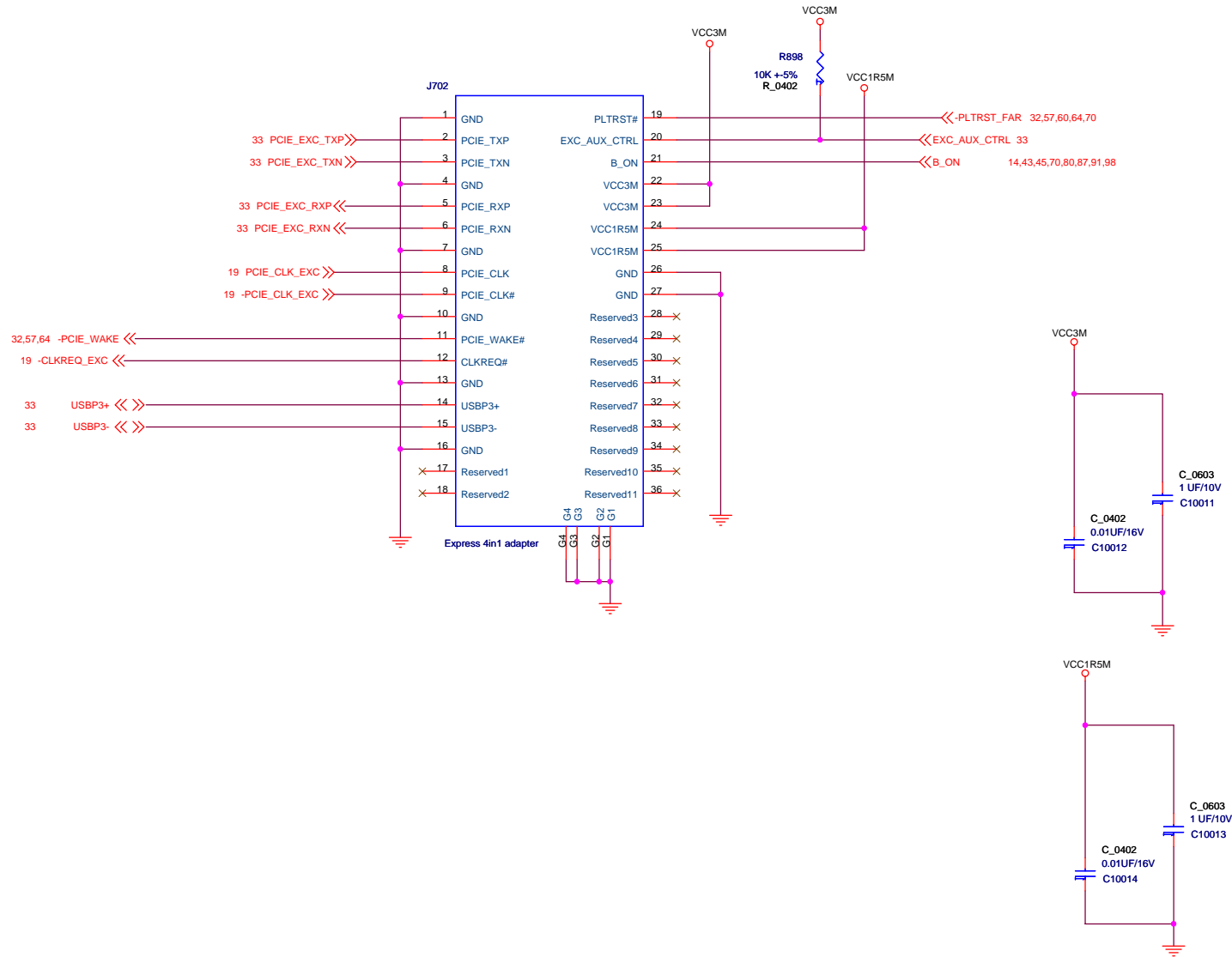
	A	B	C	D	E	F	G	H	I	J	K	L	M	N	O
9															
8															
7															
6															
5															
4															
3															
2															
1															
	A	B	C	D	E	F	G	H	I	J	K	L	M	N	O

DESIGNER	<OrgAddr1>	
CHECKED	<OrgAddr2>	
APPROVED	<OrgAddr3>	
CLASS	<OrgAddr4>	
<small>THIS DOCUMENT IS THE PROPERTY OF LENOVO. ITS USE IS AUTHORIZED ONLY FOR RESPONDING TO A REQUEST FOR QUOTATION OR FOR THE PERFORMANCE OF WORK FOR LENOVO. ALL QUESTIONS MUST BE REFERRED TO THE LENOVO PURCHASING DEPARTMENT.</small>		Part No . 42X6811 EC No . L13790
<b>LENOVO CONFIDENTIAL</b>		<b>TITLE: Kodachi Ver.V1.12</b> <b>CARDBUS CONTROLLER(1/2)</b>
		sheet 48 of 99 Thursday, May 31, 2007




A	B	C	D	E	F	G	H	I	J	K	L	M	N	O
9														
8														
7														
6														
5														
4														
3														
2														
1														
A	B	C	D	E	F	G	H	I	J	K	L	M	N	O

DESIGNER	<OrgAddr1>		
CHECKED	<OrgAddr2>		
APPROVED	<OrgAddr3>		Part No . 42X6811
CLASS	<OrgAddr4>		EC No . L13790
<small>THIS DOCUMENT IS THE PROPERTY OF LENOVO. ITS USE IS AUTHORIZED ONLY FOR RESPONDING TO A REQUEST FOR QUOTATION OR FOR THE PERFORMANCE OF WORK FOR LENOVO. ALL QUESTIONS MUST BE REFERRED TO THE LENOVO PURCHASING DEPARTMENT.</small>		TITLE: Kodachi Ver.V1.12	
LENOVO CONFIDENTIAL		CARD BUS CONTROLLER(2/2)	
		sheet 49 of 99 Thursday, May 31, 2007	




DESIGNER	<OrgAddr1>	
CHECKED	<OrgAddr2>	
APPROVED	<OrgAddr3>	Part No . 42X6811
CLASS	<OrgAddr4>	EC No . L13790
THIS DOCUMENT IS THE PROPERTY OF LENOVO. ITS USE IS AUTHORIZED ONLY FOR RESPONDING TO A REQUEST FOR QUOTATION OR FOR THE PERFORMANCE OF WORK FOR LENOVO. ALL QUESTIONS MUST BE REFERRED TO THE LENOVO PURCHASING DEPARTMENT.		TITLE: Kodachi Ver.V1.12
		Express 4IN1 SLOT
LENOVO CONFIDENTIAL		sheet 50 of 99 Thursday, May 31, 2007

A	B	C	D	E	F	G	H	I	J	K	L	M	N	O
9														
8														
7														
6														
5														
4														
3														
2														
1														
A	B	C	D	E	F	G	H	I	J	K	L	M	N	O

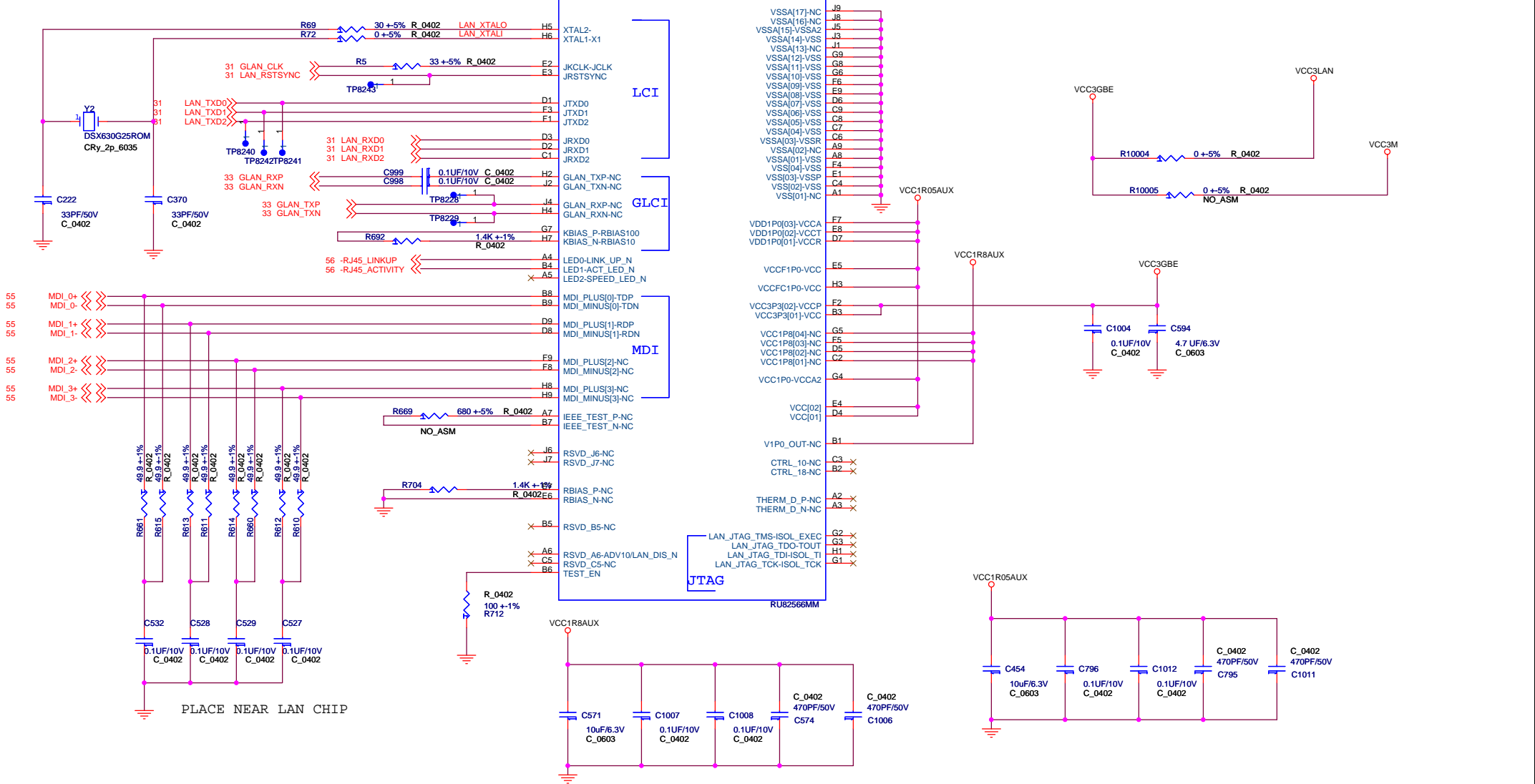
DESIGNER	<OrgAddr1>	
CHECKED	<OrgAddr2>	
APPROVED	<OrgAddr3>	
CLASS	<OrgAddr4>	
<small>THIS DOCUMENT IS THE PROPERTY OF LENOVO. ITS USE IS AUTHORIZED ONLY FOR RESPONDING TO A REQUEST FOR QUOTATION OR FOR THE PERFORMANCE OF WORK FOR LENOVO. ALL QUESTIONS MUST BE REFERRED TO THE LENOVO PURCHASING DEPARTMENT.</small>		Part No . 42X6811 EC No . L13790
		TITLE: Kodachi Ver.V1.12
LENOVO CONFIDENTIAL		CARDBUS PWR CONTROL
		sheet 51 of 99 Thursday, May 31, 2007

	A	B	C	D	E	F	G	H	I	J	K	L	M	N	O
9															
8															
7															
6															
5															
4															
3															
2															
1															
	A	B	C	D	E	F	G	H	I	J	K	L	M	N	O

DESIGNER	<OrgAddr1>	
CHECKED	<OrgAddr2>	
APPROVED	<OrgAddr3>	
CLASS	<OrgAddr4>	
<small>THIS DOCUMENT IS THE PROPERTY OF LENOVO. ITS USE IS AUTHORIZED ONLY FOR RESPONDING TO A REQUEST FOR QUOTATION OR FOR THE PERFORMANCE OF WORK FOR LENOVO. ALL QUESTIONS MUST BE REFERRED TO THE LENOVO PURCHASING DEPARTMENT.</small>		Part No . 42X6811 EC No . L13790
		TITLE: Kodachi Ver.V1.12
LENOVO CONFIDENTIAL		sheet 52 of 99 Thursday, May 31, 2007

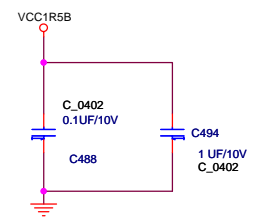
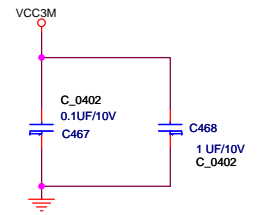
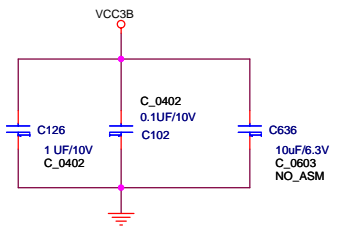
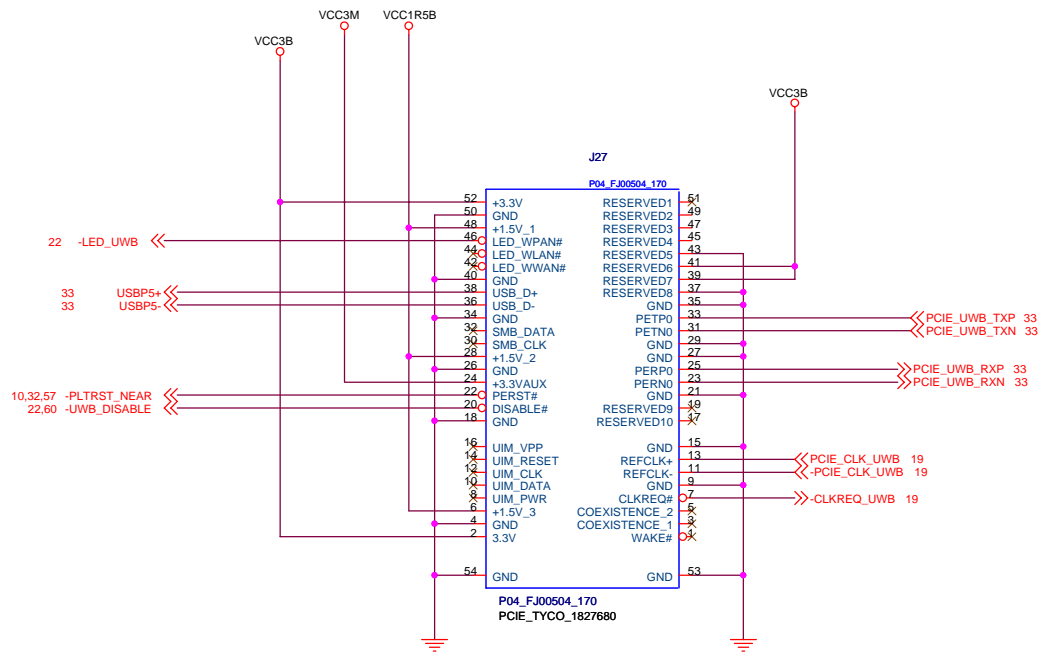
# NINEVEH

U10

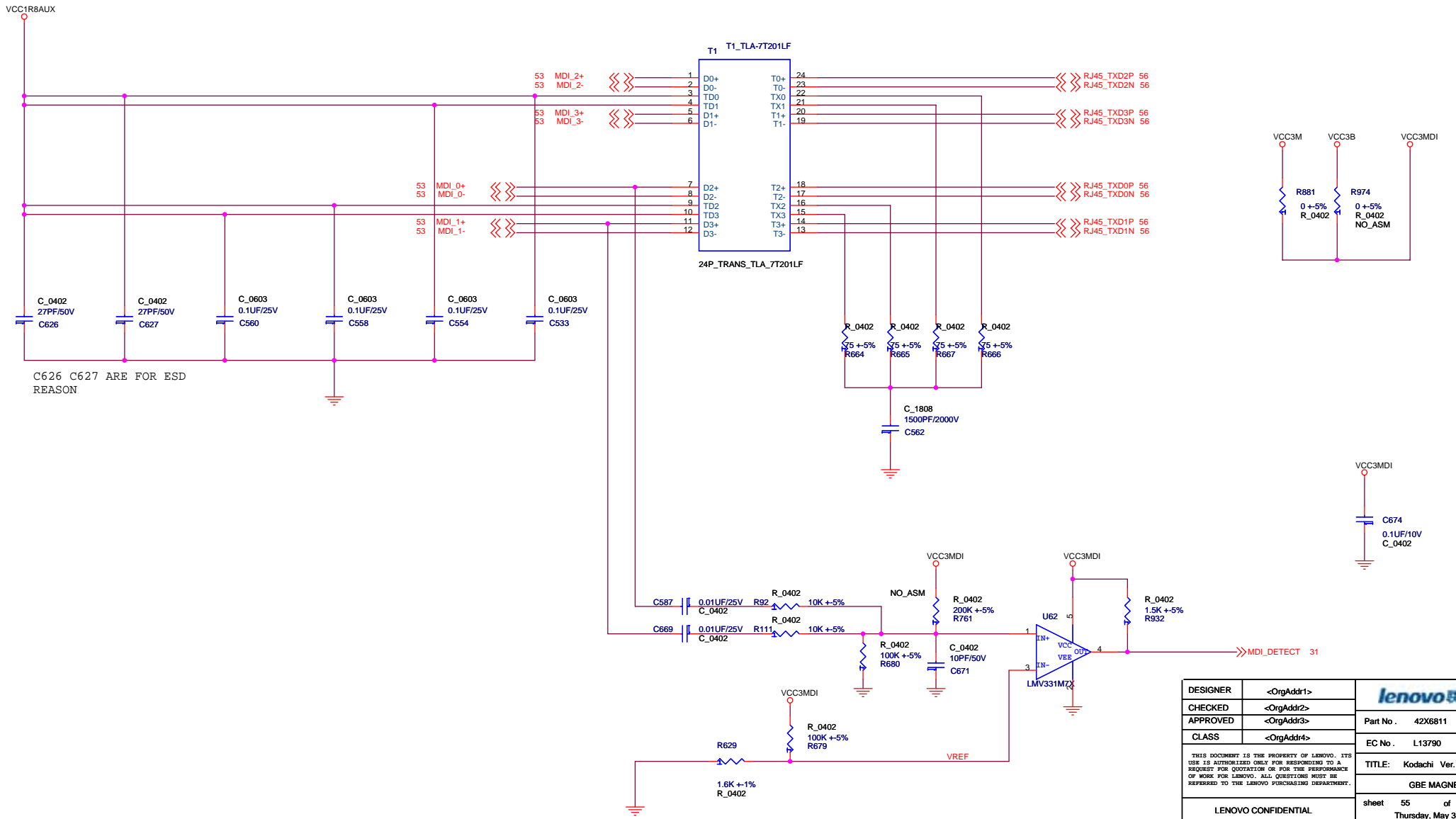


PLACE NEAR LAN CHIP

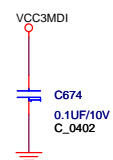
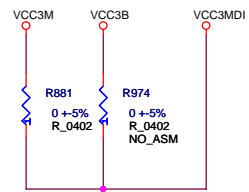
DESIGNER	<OrgAddr1>	
CHECKED	<OrgAddr2>	
APPROVED	<OrgAddr3>	Part No. 42X6811
CLASS	<OrgAddr4>	EC No. L13790
THIS DOCUMENT IS THE PROPERTY OF LENOVO. ITS USE IS AUTHORIZED ONLY FOR RESPONDING TO A REQUEST FOR QUOTATION OR FOR THE PERFORMANCE OF WORK FOR LENOVO. ALL QUESTIONS MUST BE REFERRED TO THE LENOVO PURCHASING DEPARTMENT.		TITLE: Kodachi Ver.V1.12
		GBE LAN NINEVEH
LENOVO CONFIDENTIAL		sheet 53 of 99 Thursday, May 31, 2007



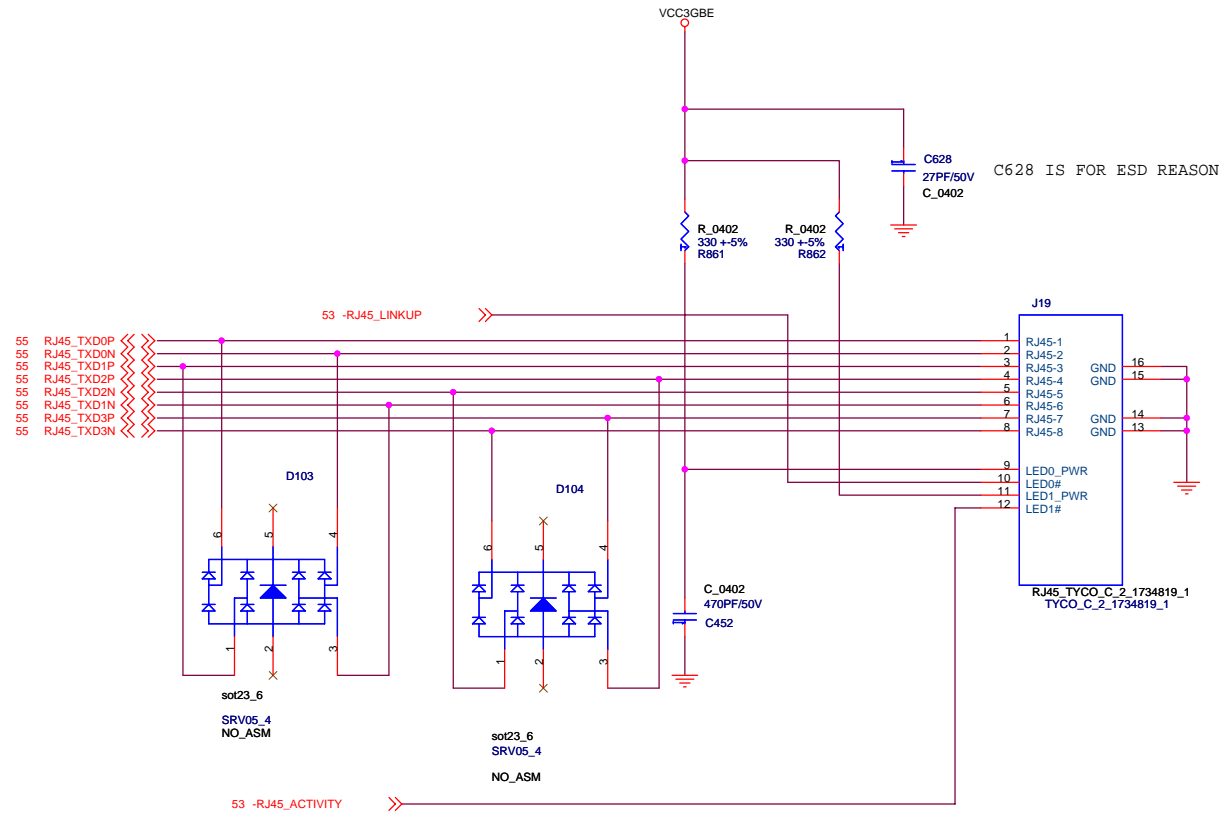
DESIGNER	<OrgAddr1>	
CHECKED	<OrgAddr2>	
APPROVED	<OrgAddr3>	Part No . 42X6811
CLASS	<OrgAddr4>	EC No . L13790
THIS DOCUMENT IS THE PROPERTY OF LENOVO. ITS USE IS AUTHORIZED ONLY FOR RESPONDING TO A REQUEST FOR QUOTATION OR FOR THE PERFORMANCE OF WORK FOR LENOVO. ALL QUESTIONS MUST BE REFERRED TO THE LENOVO PURCHASING DEPARTMENT.		TITLE: Kodachi Ver.V1.12
		MICRO PCIE CONN
LENOVO CONFIDENTIAL		sheet 54 of 99 Thursday, May 31, 2007




C626 C627 ARE FOR ESD REASON



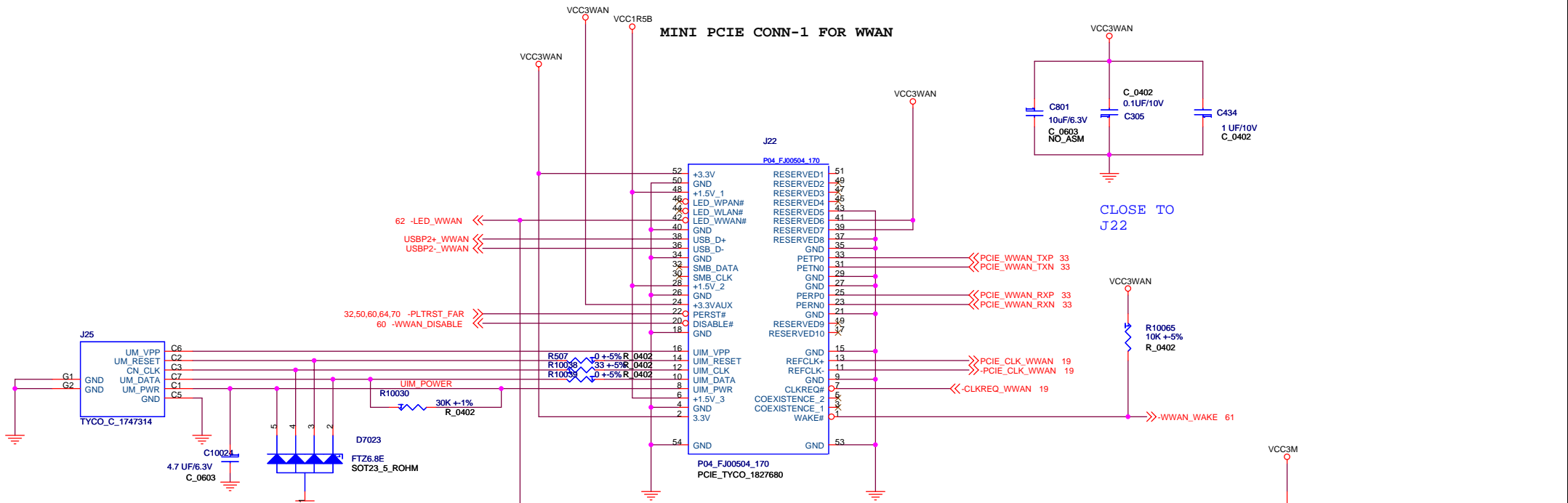
DESIGNER	<OrgAdd1>	
CHECKED	<OrgAdd2>	
APPROVED	<OrgAdd3>	Part No. 42X6811
CLASS	<OrgAdd4>	EC No. L13790
THIS DOCUMENT IS THE PROPERTY OF LENOVO. ITS USE IS AUTHORIZED ONLY FOR RESPONDING TO A REQUEST FOR QUOTATION OR FOR THE PERFORMANCE OF WORK FOR LENOVO. ALL QUESTIONS MUST BE REFERRED TO THE LENOVO PURCHASING DEPARTMENT.		TITLE: Kodachi Ver.V1.12
LENOVO CONFIDENTIAL		GBE MAGNETICS
		sheet 55 of 99
		Thursday, May 31, 2007



DESIGNER	<OrgAddr1>	
CHECKED	<OrgAddr2>	
APPROVED	<OrgAddr3>	
CLASS	<OrgAddr4>	
<small>THIS DOCUMENT IS THE PROPERTY OF LENOVO. ITS USE IS AUTHORIZED ONLY FOR RESPONDING TO A REQUEST FOR QUOTATION OR FOR THE PERFORMANCE OF WORK FOR LENOVO. ALL QUESTIONS MUST BE REFERRED TO THE LENOVO PURCHASING DEPARTMENT.</small>		Part No . 42X6811
		EC No . L13790
		TITLE: Kodachi Ver.V1.12
		RJ45 CONN
LENOVO CONFIDENTIAL		sheet 56 of 99 Thursday, May 31, 2007



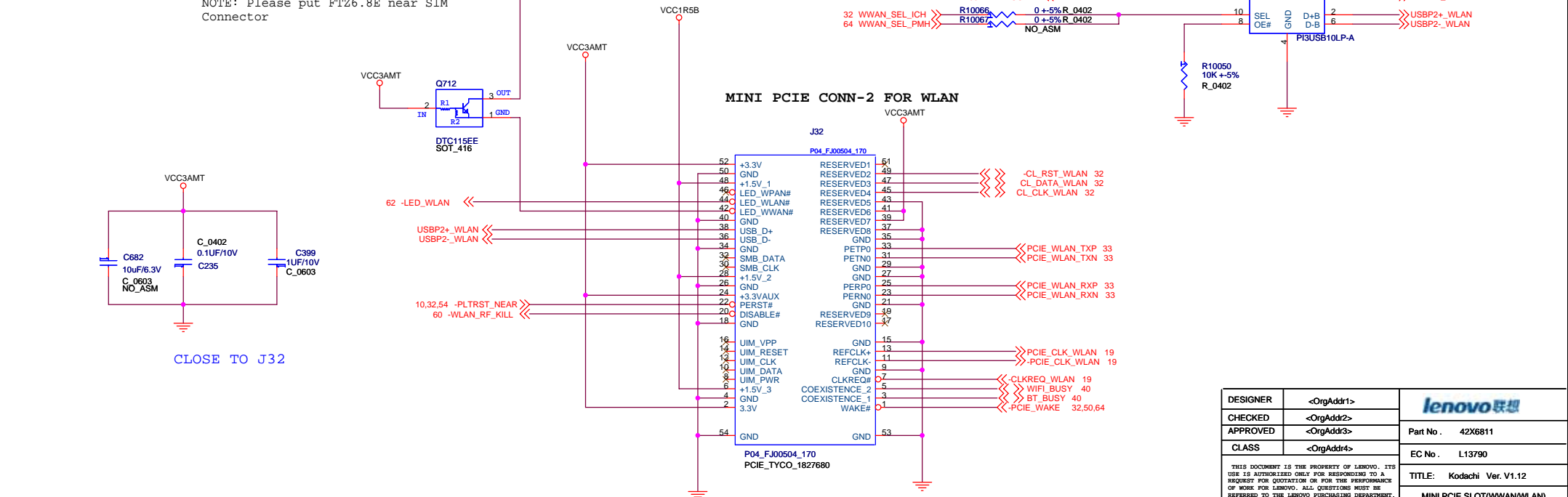
### MINI PCIE CONN-1 FOR WWAN




CLOSE TO J22

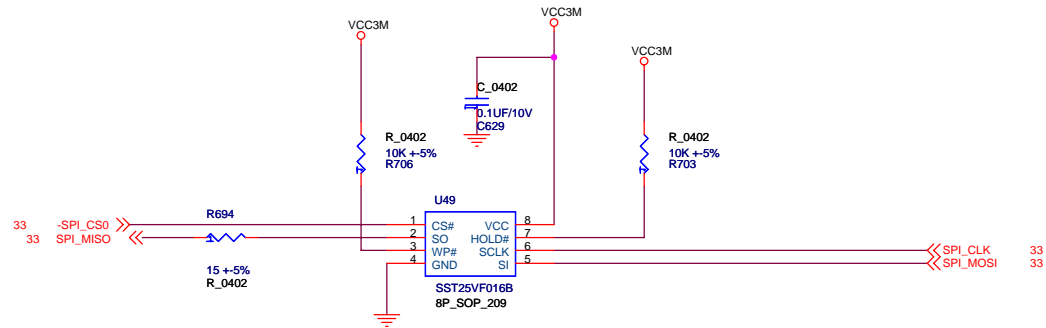
NOTE: UMI\_POWER NET need 20 mil width.  
NOTE: Please put FTZ6.8E near SIM Connector


### MINI PCIE CONN-2 FOR WLAN

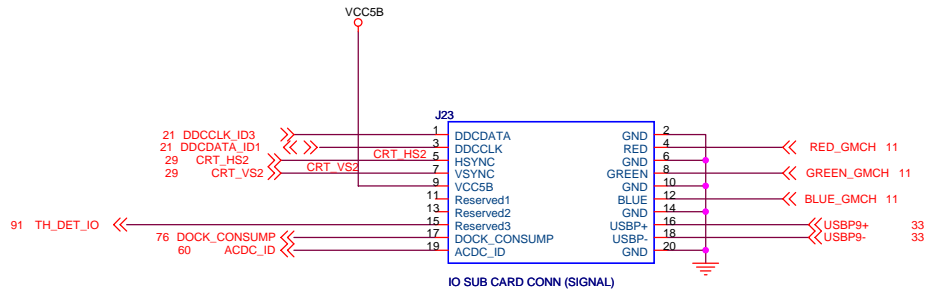


CLOSE TO J32

DESIGNER	<OrgAdd1>	 Part No. 42X6811 EC No. L13790 TITLE: Kodachi Ver.V1.12 MINI PCIE SLOT(WWAN/WLAN) sheet 57 of 99 Thursday, May 31, 2007
CHECKED	<OrgAdd2>	
APPROVED	<OrgAdd3>	
CLASS	<OrgAdd4>	
THIS DOCUMENT IS THE PROPERTY OF LENOVO. ITS USE IS AUTHORIZED ONLY FOR RESPONDING TO A REQUEST FOR QUOTATION OR FOR THE PERFORMANCE OF WORK FOR LENOVO. ALL QUESTIONS MUST BE REFERRED TO THE LENOVO PURCHASING DEPARTMENT.		
LENOVO CONFIDENTIAL		

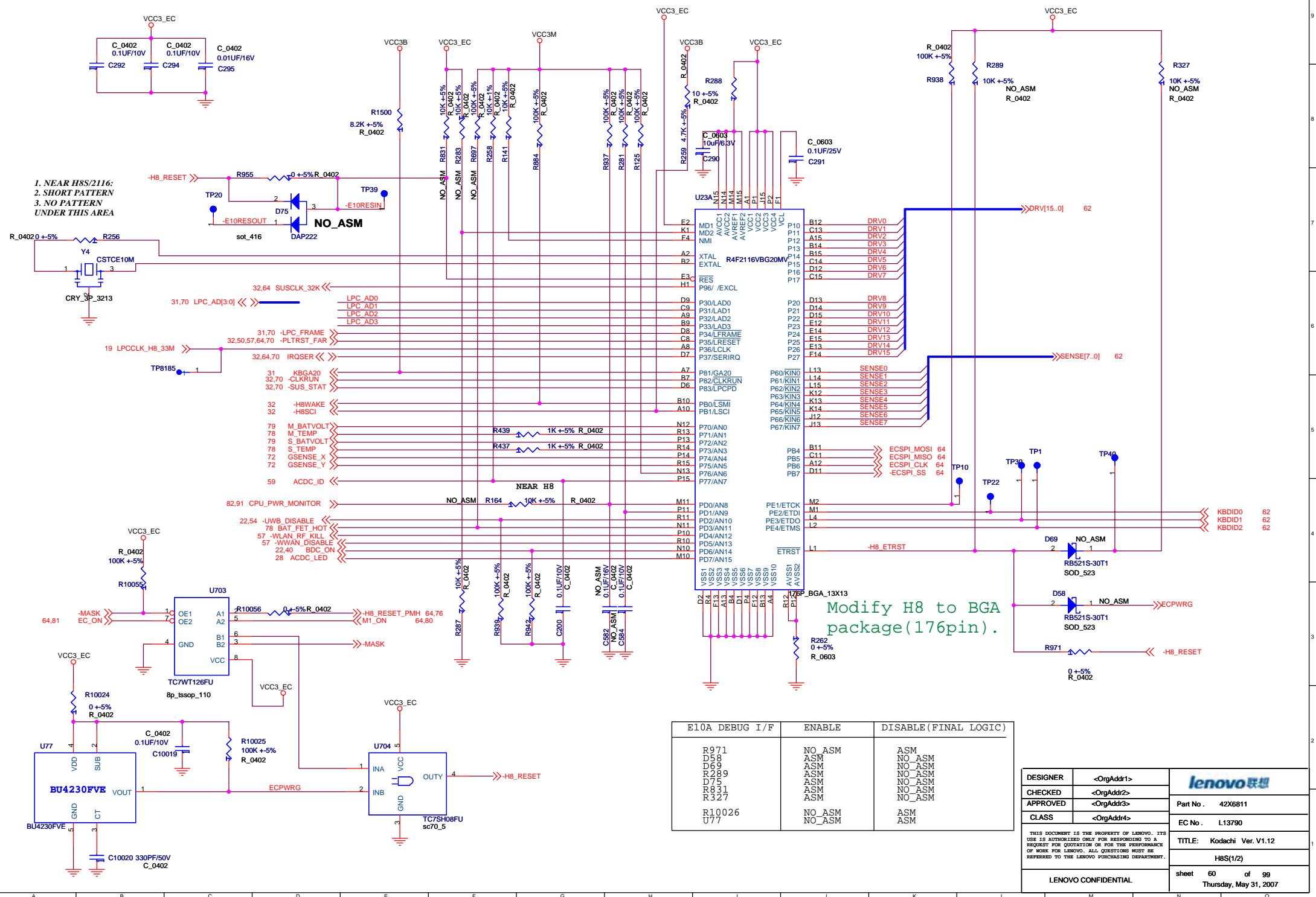


DESIGNER	<OrgAddr1>	
CHECKED	<OrgAddr2>	
APPROVED	<OrgAddr3>	
CLASS	<OrgAddr4>	
<small>THIS DOCUMENT IS THE PROPERTY OF LENOVO. ITS USE IS AUTHORIZED ONLY FOR RESPONDING TO A REQUEST FOR QUOTATION OR FOR THE PERFORMANCE OF WORK FOR LENOVO. ALL QUESTIONS MUST BE REFERRED TO THE LENOVO PURCHASING DEPARTMENT.</small>		Part No . 42X6811
		EC No . L13790
		TITLE: Kodachi Ver.V1.12
		EEPROM/FLASH/SHARED
LENOVO CONFIDENTIAL		sheet 58 of 99 Thursday, May 31, 2007




DESIGNER	<OrgAddr1>	<b>lenovo</b> 联想
CHECKED	<OrgAddr2>	
APPROVED	<OrgAddr3>	
CLASS	<OrgAddr4>	
<small>THIS DOCUMENT IS THE PROPERTY OF LENOVO. ITS USE IS AUTHORIZED ONLY FOR RESPONDING TO A REQUEST FOR QUOTATION OR FOR THE PERFORMANCE OF WORK FOR LENOVO. ALL QUESTIONS MUST BE REFERRED TO THE LENOVO PURCHASING DEPARTMENT.</small>		Part No . 42X6811
		EC No . L13790
		TITLE: Kodachi Ver.V1.12
		DOCK CONN
LENOVO CONFIDENTIAL		sheet 59 of 99 Thursday, May 31, 2007

1. NEAR H8S/2116:  
2. SHORT PATTERN  
3. NO PATTERN  
UNDER THIS AREA



Modify H8 to BGA package(176pin).

E10A DEBUG I/F	ENABLE	DISABLE(FINAL LOGIC)
R971	NO_ASM	ASM
D0609	ASM	NO_ASM
R2009	ASM	NO_ASM
D75	ASM	NO_ASM
R831	ASM	NO_ASM
R327	ASM	NO_ASM
R10026	NO_ASM	ASM
U77	NO_ASM	ASM

DESIGNER	<OrgAddr1>	 Part No. 42X6811
CHECKED	<OrgAddr2>	
APPROVED	<OrgAddr3>	
CLASS	<OrgAddr4>	EC No. L13790
THIS DOCUMENT IS THE PROPERTY OF LENOVO. ITS USE IS AUTHORIZED ONLY FOR RESPONDING TO A REQUEST FOR QUOTATION OR FOR THE PERFORMANCE OF WORK FOR LENOVO. ALL QUESTIONS MUST BE REFERRED TO THE LENOVO PURCHASING DEPARTMENT.		TITLE: Kodachi Ver.V1.12
		H8S(1/2)
LENOVO CONFIDENTIAL		sheet 60 of 99 Thursday, May 31, 2007

78 I2C\_DATA\_BT1 <<<  
 78 I2C\_CLK\_BT1 <<<  
 78 I2C\_DATA\_BT0 <<<  
 78 I2C\_CLK\_BT0 <<<

63 IPDCLK <<<  
 63 IPDDATA <<<  
 78 I2C\_CLK\_BT0 <<<  
 78 I2C\_DATA\_BT0 <<<  
 78 I2C\_CLK\_BT1 <<<  
 78 I2C\_DATA\_BT1 <<<

28 ALS\_CLK <<<  
 28 ALS\_DATA <<<

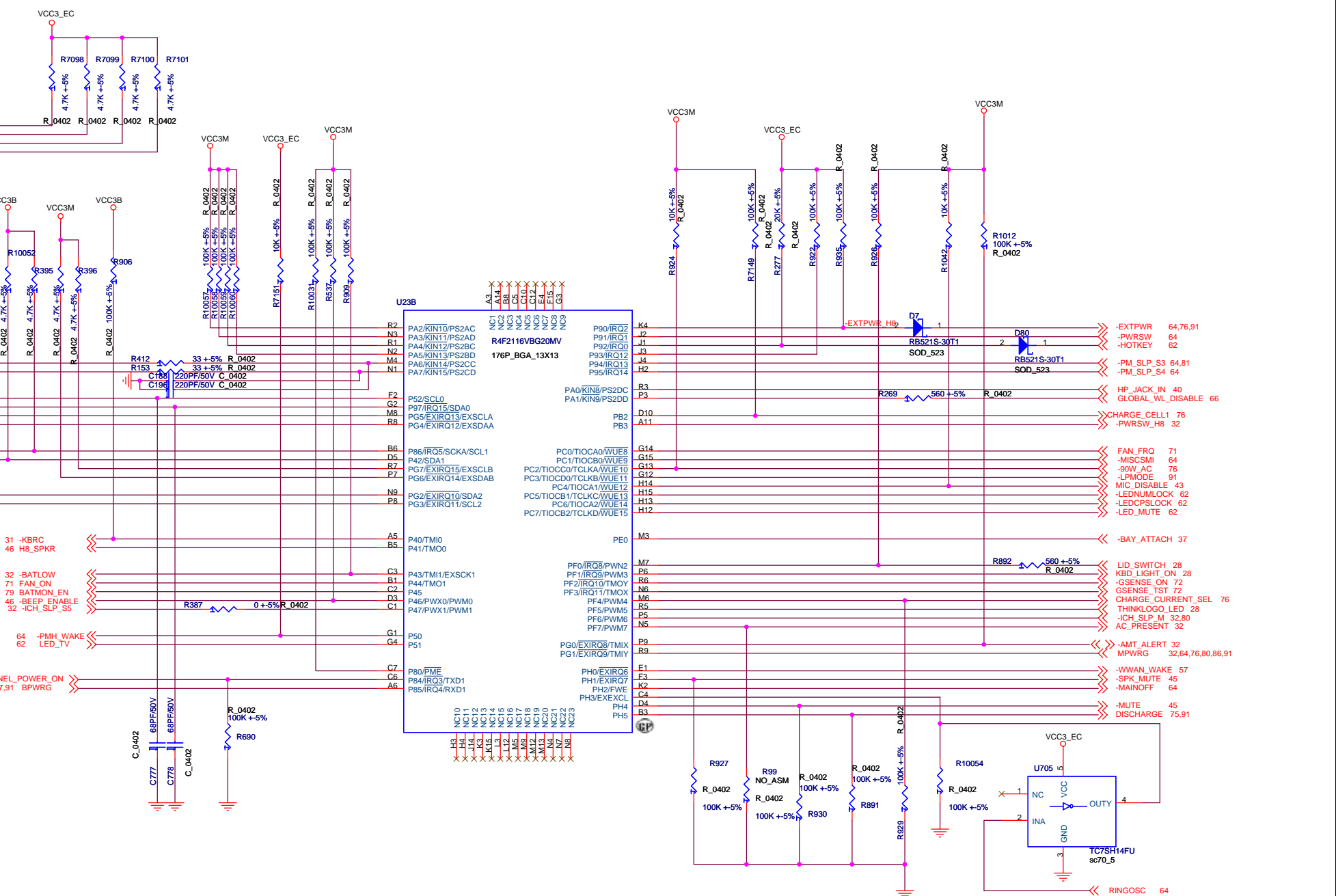
69 HB\_SDA2 <<<  
 69 HB\_SCL2 <<<

31 -KBRC <<<  
 46 HB\_SPKR <<<

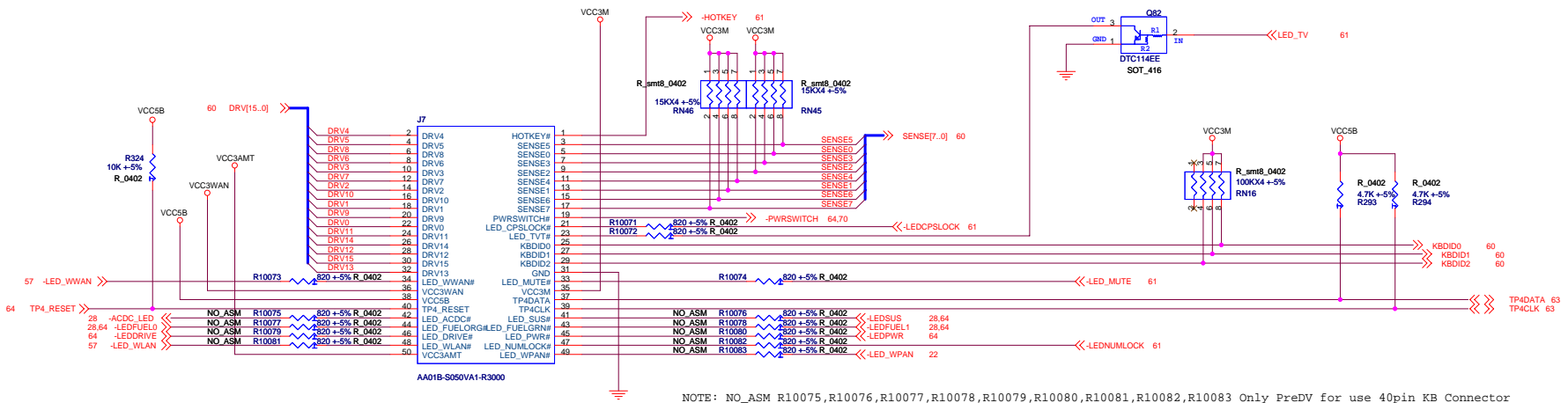
32 -BATLOW <<<  
 71 FAN\_ON <<<  
 79 BATMON\_EN <<<  
 46 -BEEP\_ENABLE <<<  
 32 -ICH\_SLP\_S5 <<<

64 -PMH\_WAKE <<<  
 62 LED\_TV <<<

11.91 PANEL\_POWER\_ON <<<  
 10.32,64,69,70,87,91 BPWRG <<<

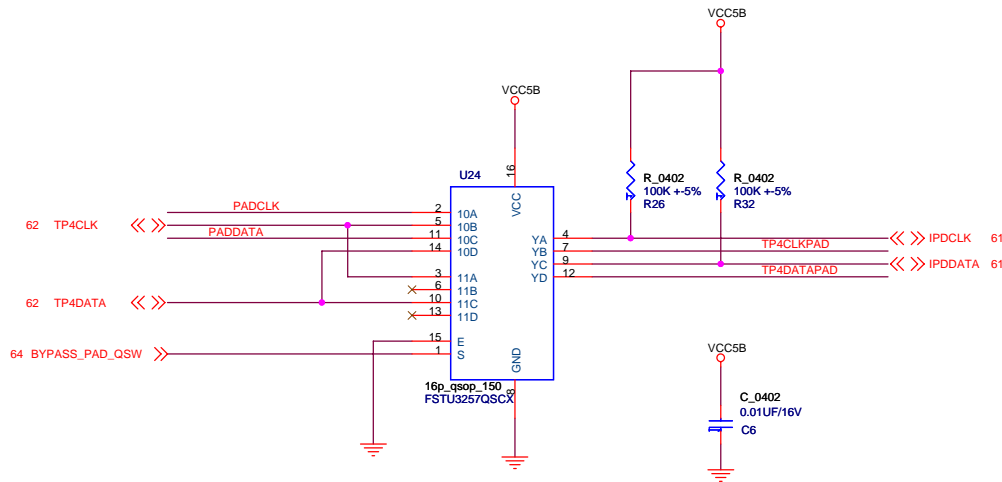
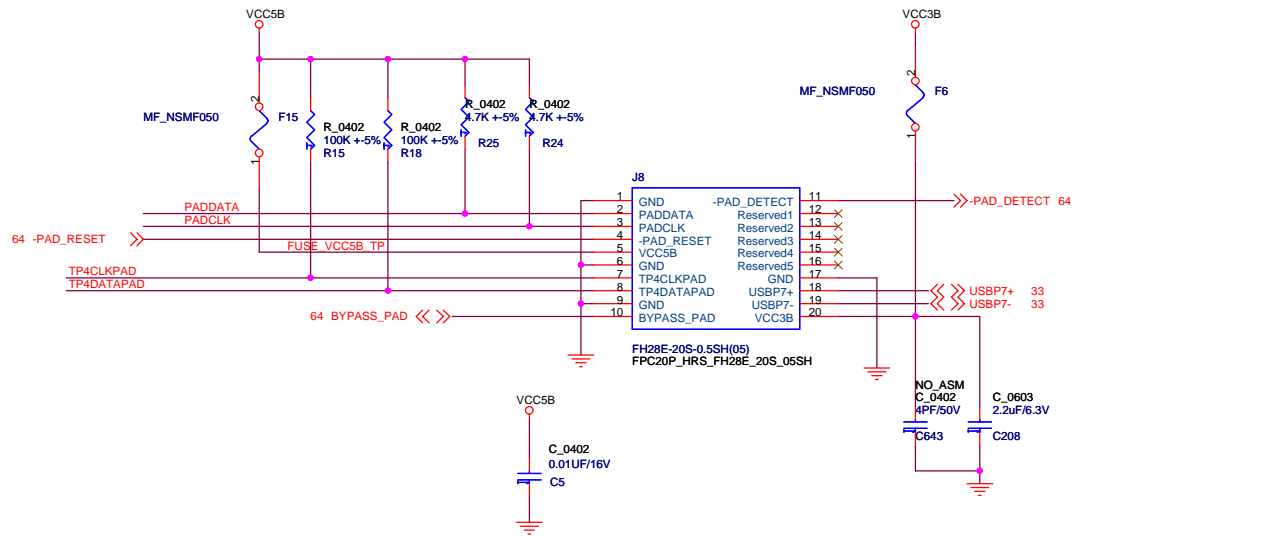


DESIGNER	<OrgAddr1>	<b>lenovo</b> 联想
CHECKED	<OrgAddr2>	
APPROVED	<OrgAddr3>	
CLASS	<OrgAddr4>	Part No. 42X6811
THIS DOCUMENT IS THE PROPERTY OF LENOVO. ITS USE IS AUTHORIZED ONLY FOR RESPONDING TO A REQUEST FOR QUOTATION OR FOR THE PERFORMANCE OF WORK FOR LENOVO. ALL QUESTIONS MUST BE REFERRED TO THE LENOVO PURCHASING DEPARTMENT.		EC No. L13790
		TITLE: Kodachi Ver.V1.12
		H8S(2/2)
LENOVO CONFIDENTIAL		sheet 61 of 99 Thursday, May 31, 2007

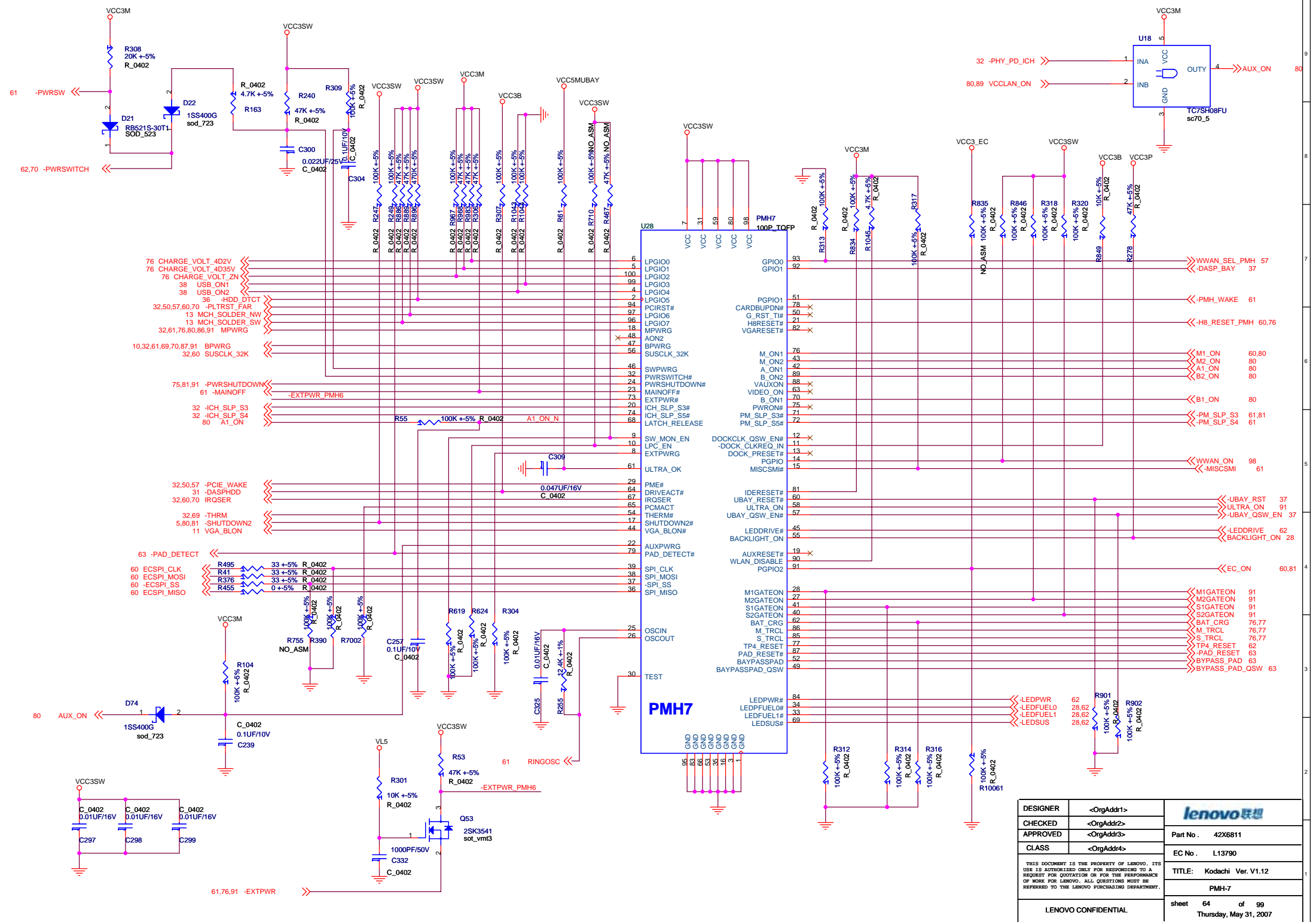



NOTE: NO\_ASM R10075,R10076,R10077,R10078,R10079,R10080,R10081,R10082,R10083 Only PreDV for use 40pin KB Connector

DESIGNER	<OrgAddr1>	
CHECKED	<OrgAddr2>	
APPROVED	<OrgAddr3>	
CLASS	<OrgAddr4>	
<small>THIS DOCUMENT IS THE PROPERTY OF LENOVO. ITS USE IS AUTHORIZED ONLY FOR REFERRING TO A REQUEST FOR QUOTATION OR FOR THE PERFORMANCE OF WORK FOR LENOVO. ALL QUESTIONS MUST BE REFERRED TO THE LENOVO PURCHASING DEPARTMENT.</small>		Part No. 42X6811
		EC No. L13790
		TITLE: Kodachi Ver. V1.12
		KB CONN
LENOVO CONFIDENTIAL		sheet 62 of 99 Thursday, May 31, 2007




DESIGNER	<OrgAddr1>	<b>lenovo</b> 联想
CHECKED	<OrgAddr2>	
APPROVED	<OrgAddr3>	Part No . 42X6811
CLASS	<OrgAddr4>	EC No . L13790
THIS DOCUMENT IS THE PROPERTY OF LENOVO. ITS USE IS AUTHORIZED ONLY FOR RESPONDING TO A REQUEST FOR QUOTATION OR FOR THE PERFORMANCE OF WORK FOR LENOVO. ALL QUESTIONS MUST BE REFERRED TO THE LENOVO PURCHASING DEPARTMENT.		
		TITLE: Kodachi Ver.V1.12
		TP CONN
LENOVO CONFIDENTIAL		sheet 63 of 99 Thursday, May 31, 2007

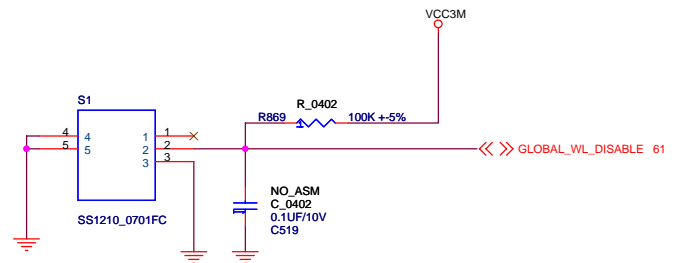


DESIGNER	<OrgAddr1>	
CHECKED	<OrgAddr2>	
APPROVED	<OrgAddr3>	
CLASS	<OrgAddr4>	Part No. 42X6811
THIS DOCUMENT IS THE PROPERTY OF LENOVO. ITS USE IS AUTHORIZED ONLY FOR RESPONDING TO A REQUEST FOR QUOTATION OR FOR THE PERFORMANCE OF WORK FOR LENOVO. ALL QUESTIONS MUST BE REFERRED TO THE LENOVO PURCHASING DEPARTMENT.		EC No. L13790
		TITLE: Kodachi Ver.V1.12
		PMH-7
LENOVO CONFIDENTIAL		sheet 64 of 99
		Thursday, May 31, 2007




A	B	C	D	E	F	G	H	I	J	K	L	M	N	O
9														
8														
7														
6														
5														
4														
3														
2														
1														
A	B	C	D	E	F	G	H	I	J	K	L	M	N	O

DESIGNER	<OrgAddr1>	
CHECKED	<OrgAddr2>	
APPROVED	<OrgAddr3>	
CLASS	<OrgAddr4>	
<small>THIS DOCUMENT IS THE PROPERTY OF LENOVO. ITS USE IS AUTHORIZED ONLY FOR RESPONDING TO A REQUEST FOR QUOTATION OR FOR THE PERFORMANCE OF WORK FOR LENOVO. ALL QUESTIONS MUST BE REFERRED TO THE LENOVO PURCHASING DEPARTMENT.</small>		Part No . 42X6811
		EC No . L13790
		TITLE: Kodachi Ver.V1.12
LENOVO CONFIDENTIAL		SIO WPCN385SDG
		sheet 65 of 99 Thursday, May 31, 2007




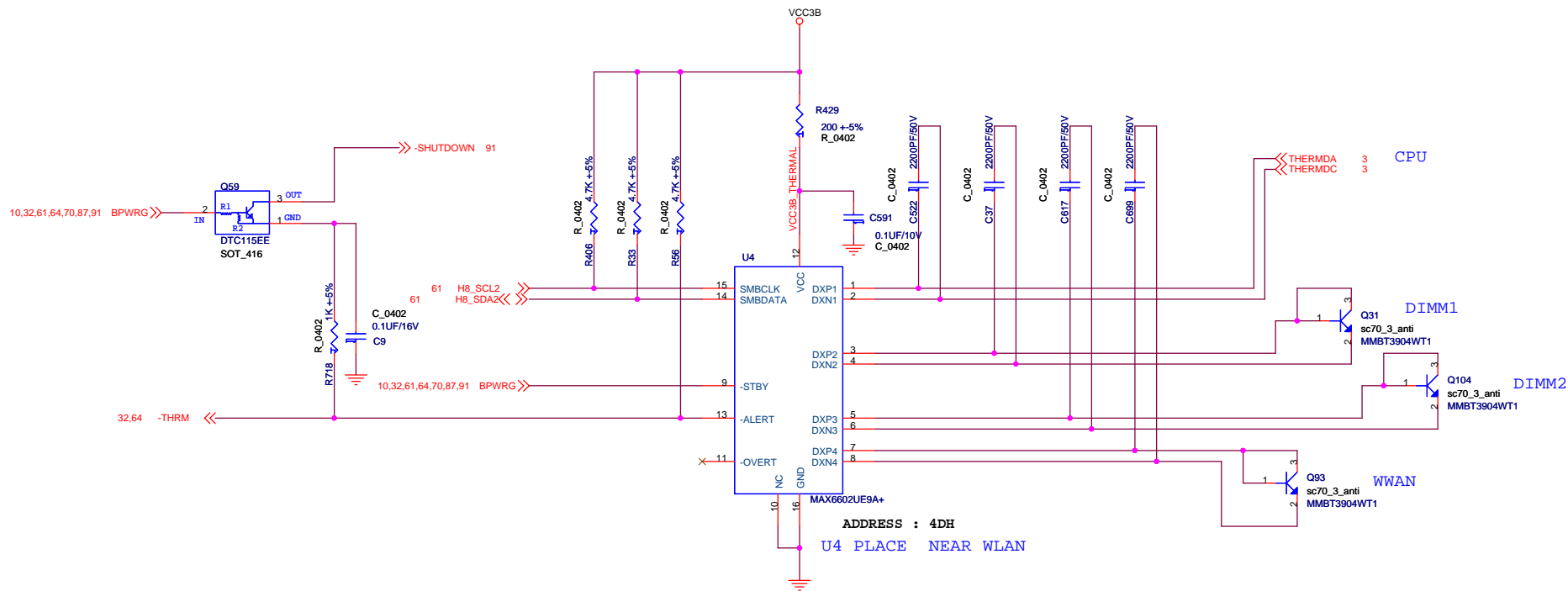
DESIGNER	<OrgAddr1>	<b>lenovo</b> 联想
CHECKED	<OrgAddr2>	
APPROVED	<OrgAddr3>	
CLASS	<OrgAddr4>	
<small>THIS DOCUMENT IS THE PROPERTY OF LENOVO. ITS USE IS AUTHORIZED ONLY FOR RESPONDING TO A REQUEST FOR QUOTATION OR FOR THE PERFORMANCE OF WORK FOR LENOVO. ALL QUESTIONS MUST BE REFERRED TO THE LENOVO PURCHASING DEPARTMENT.</small>		Part No . 42X6811
		EC No . L13790
		TITLE: Kodachi Ver.V1.12
		WIRELESS DISABLE SW
LENOVO CONFIDENTIAL		sheet 66 of 99 Thursday, May 31, 2007

# BLACK PAGE

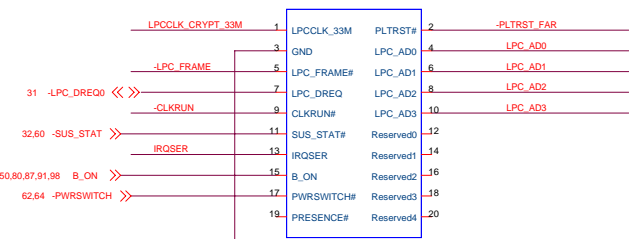
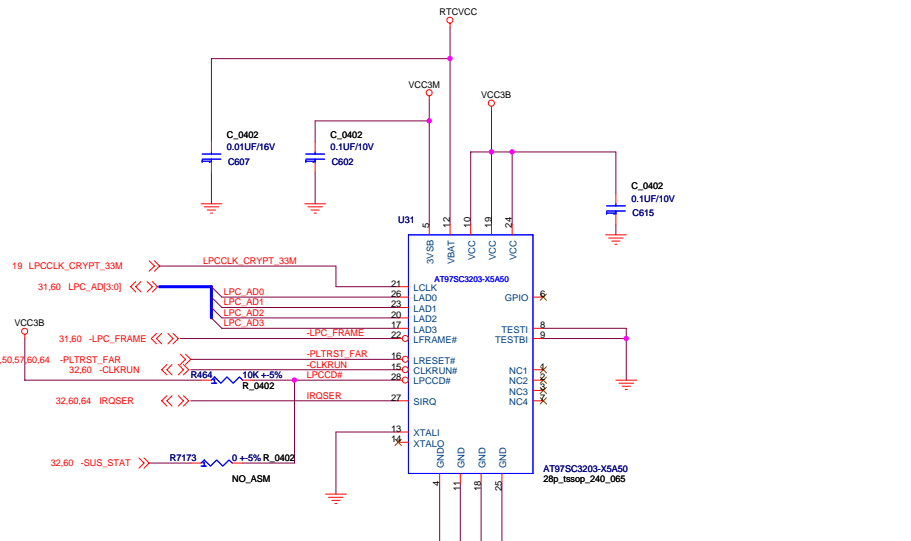
DESIGNER	<OrgAddr1>	
CHECKED	<OrgAddr2>	
APPROVED	<OrgAddr3>	Part No . 42X6811
CLASS	<OrgAddr4>	EC No . L13790
<small>THIS DOCUMENT IS THE PROPERTY OF LENOVO. ITS USE IS AUTHORIZED ONLY FOR RESPONDING TO A REQUEST FOR QUOTATION OR FOR THE PERFORMANCE OF WORK FOR LENOVO. ALL QUESTIONS MUST BE REFERRED TO THE LENOVO PURCHASING DEPARTMENT.</small>		TITLE: Kodachi Ver.V1.12
LENOVO CONFIDENTIAL		SERIAL INTERFACE
		sheet 67 of 99 Thursday, May 31, 2007

BLACK PAGE

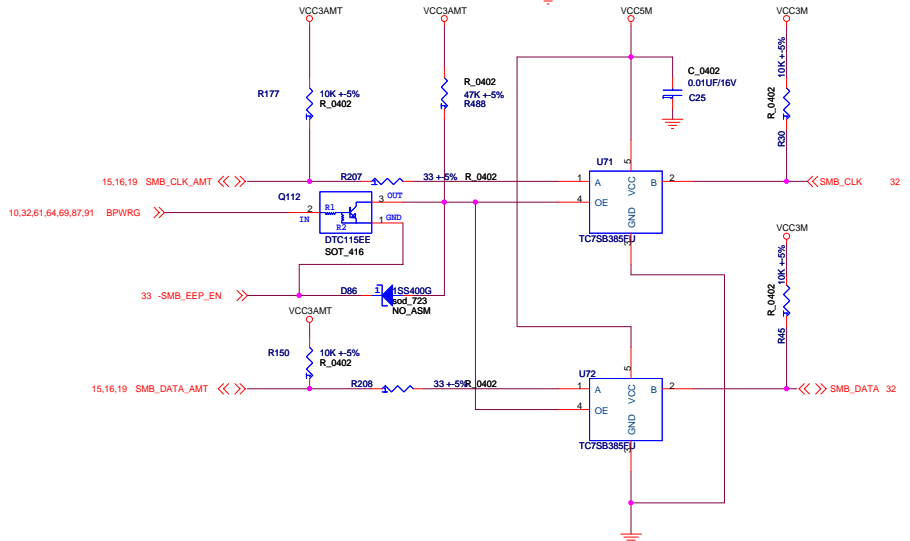
DESIGNER	<OrgAddr1>	
CHECKED	<OrgAddr2>	
APPROVED	<OrgAddr3>	Part No . 42X6811
CLASS	<OrgAddr4>	EC No . L13790
<small>THIS DOCUMENT IS THE PROPERTY OF LENOVO. ITS USE IS AUTHORIZED ONLY FOR RESPONDING TO A REQUEST FOR QUOTATION OR FOR THE PERFORMANCE OF WORK FOR LENOVO. ALL QUESTIONS MUST BE REFERRED TO THE LENOVO PURCHASING DEPARTMENT.</small>		TITLE: Kodachi Ver.V1.12
LENOVO CONFIDENTIAL		sheet 68 of 99 Thursday, May 31, 2007



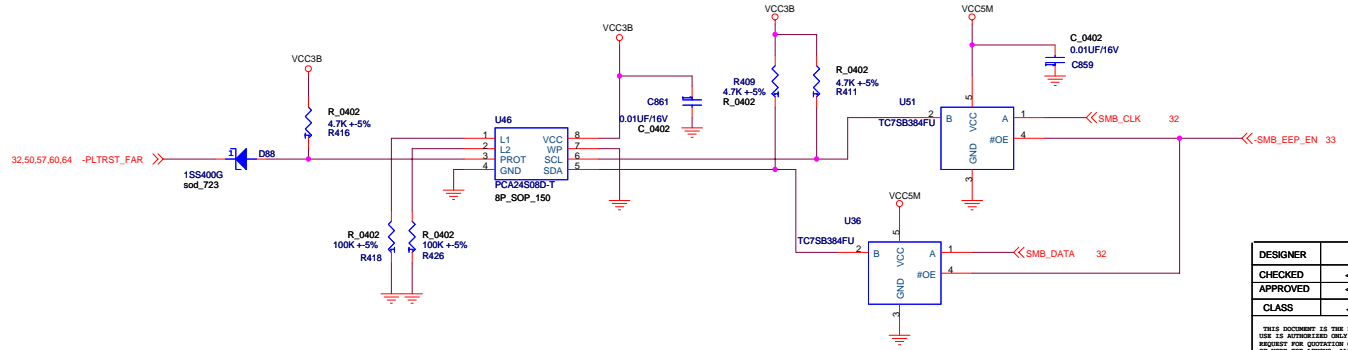
DESIGNER	<OrgAddr1>	<b>lenovo</b> 联想
CHECKED	<OrgAddr2>	
APPROVED	<OrgAddr3>	
CLASS	<OrgAddr4>	
<small>THIS DOCUMENT IS THE PROPERTY OF LENOVO. ITS USE IS AUTHORIZED ONLY FOR RESPONDING TO A REQUEST FOR QUOTATION OR FOR THE PERFORMANCE OF WORK FOR LENOVO. ALL QUESTIONS MUST BE REFERRED TO THE LENOVO PURCHASING DEPARTMENT.</small>		Part No . 42X6811
		EC No . L13790
		TITLE: Kodachi Ver.V1.12
		THERMAL SENSOR
LENOVO CONFIDENTIAL		sheet 69 of 99 Thursday, May 31, 2007



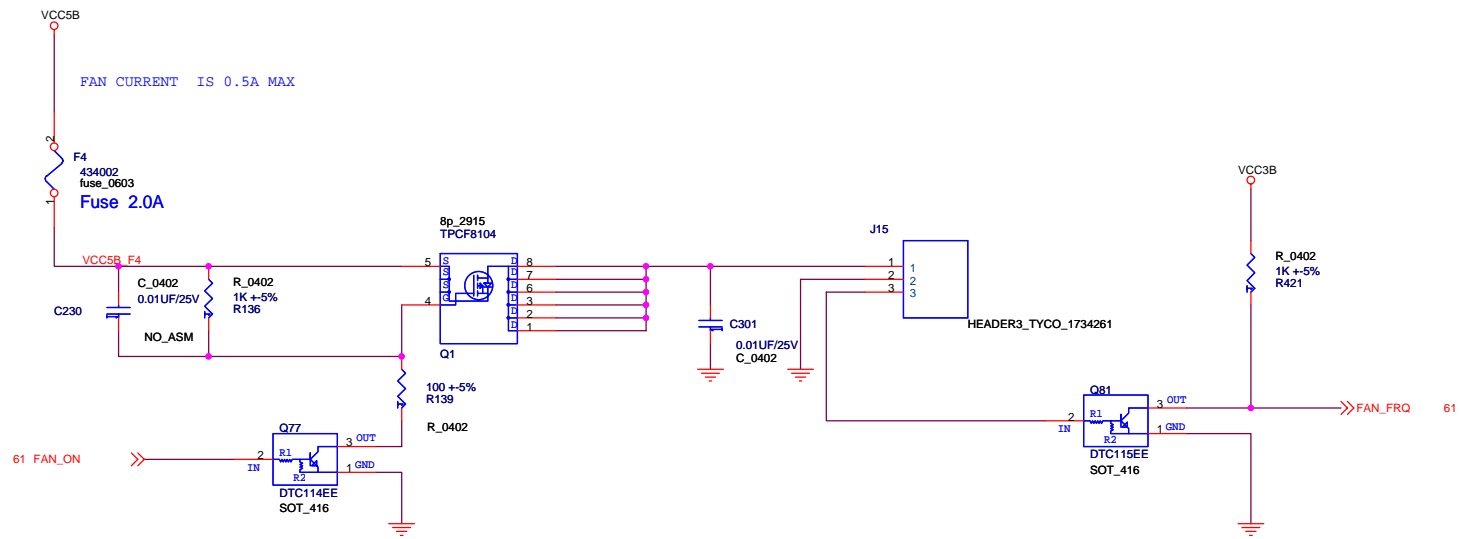
J701 Can be Placed at 0 height area



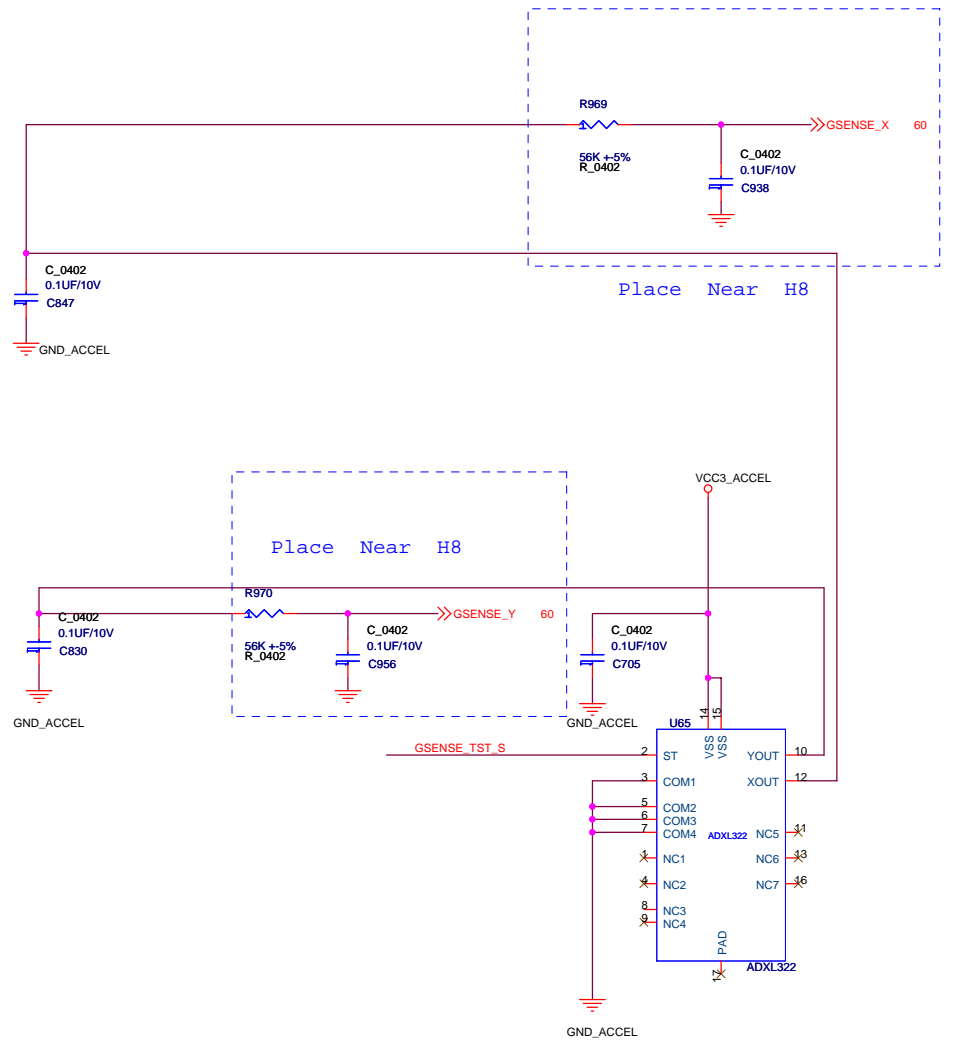
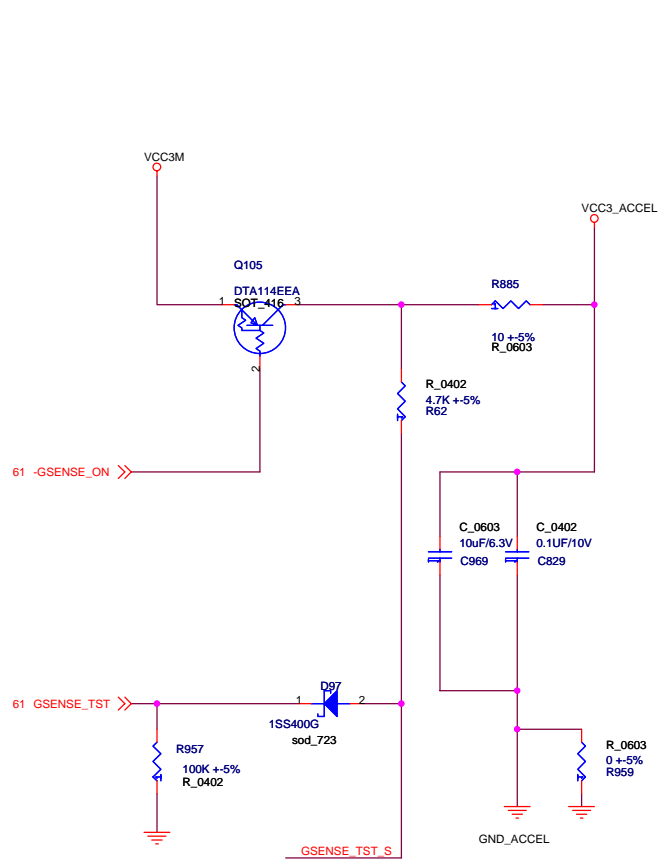
TFM support		YES	NO
R297	ASM		NOASM (page19)
U31	ASM		NOASM
C602	ASM		NOASM
C607	ASM		NOASM
C615	ASM		NOASM
R464	ASM		NOASM



DESIGNER	<OrgAddr1>	
CHECKED	<OrgAddr2>	
APPROVED	<OrgAddr3>	
CLASS	<OrgAddr4>	Part No. 42X6811
<small>THIS DOCUMENT IS THE PROPERTY OF LENOVO. ITS USE IS AUTHORIZED ONLY FOR REFERRING TO A REQUEST FOR QUOTATION OR FOR THE PERFORMANCE OF WORK FOR LENOVO. ALL QUESTIONS MUST BE REFERRED TO THE LENOVO PURCHASING DEPARTMENT.</small>		EC No. L13790
LENOVO CONFIDENTIAL		TITLE: Kodachi Ver.V1.12
		I2C BUS/SMBUS
		sheet 70 of 99
		Thursday, May 31, 2007

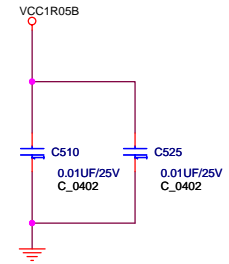
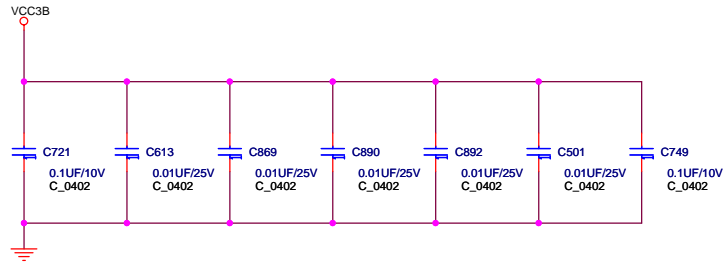
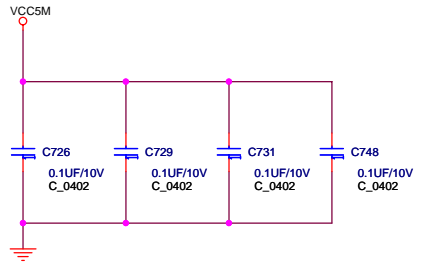
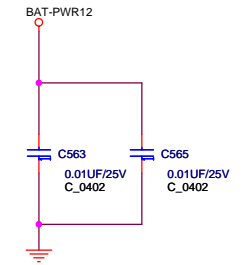
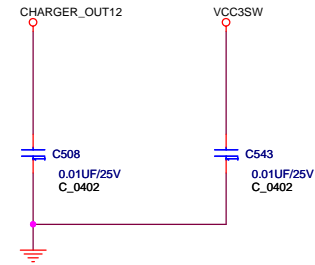
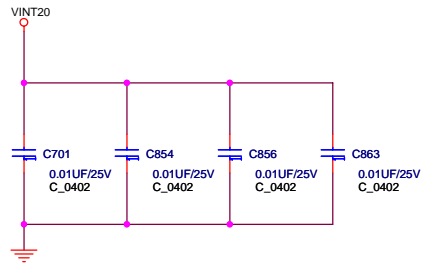
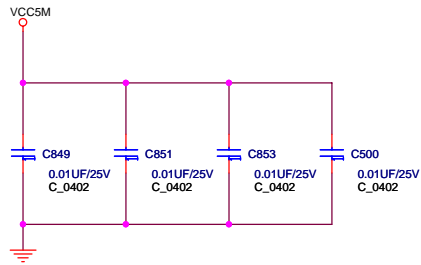
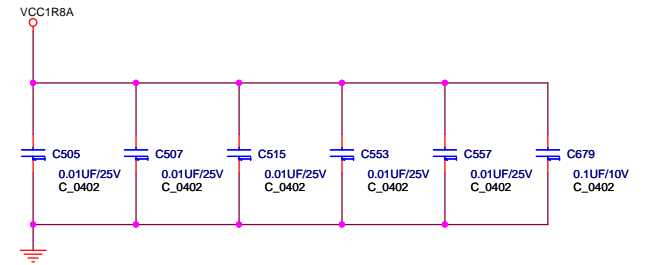
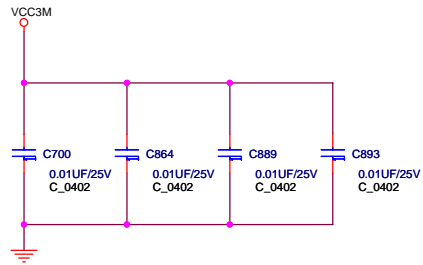
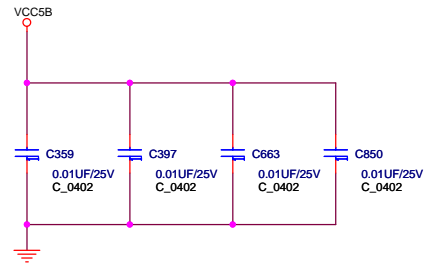



DESIGNER	<OrgAddr1>	<b>lenovo</b> 联想
CHECKED	<OrgAddr2>	
APPROVED	<OrgAddr3>	
CLASS	<OrgAddr4>	
THIS DOCUMENT IS THE PROPERTY OF LENOVO. ITS USE IS AUTHORIZED ONLY FOR RESPONDING TO A REQUEST FOR QUOTATION OR FOR THE PERFORMANCE OF WORK FOR LENOVO. ALL QUESTIONS MUST BE REFERRED TO THE LENOVO PURCHASING DEPARTMENT.		
Part No .		42X6811
EC No .		L13790
TITLE:		Kodachi Ver.V1.12
FAN CONN		
sheet		71 of 99
		Thursday, May 31, 2007
LENOVO CONFIDENTIAL		



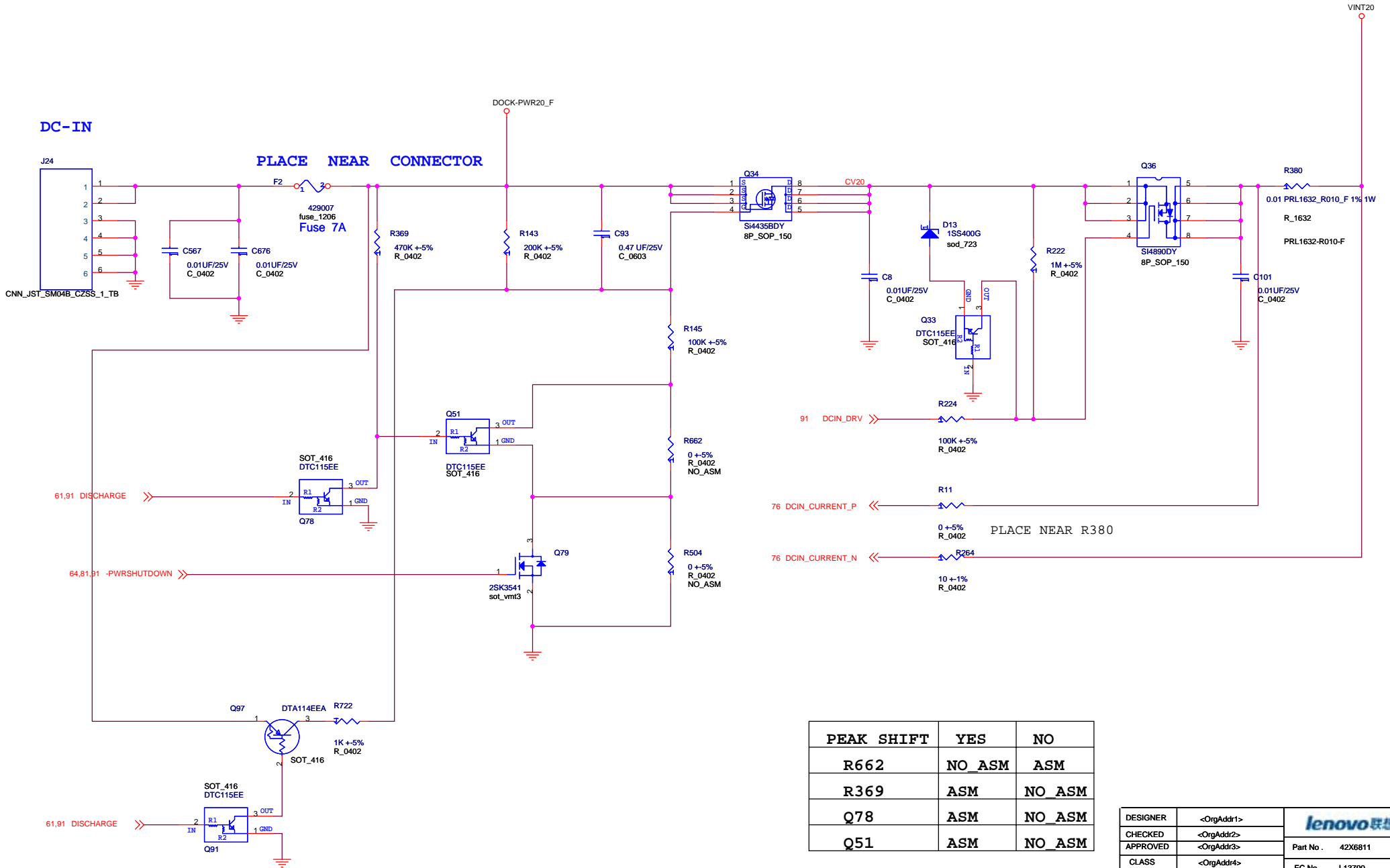
DESIGNER	<OrgAddr1>	
CHECKED	<OrgAddr2>	
APPROVED	<OrgAddr3>	Part No . 42X6811
CLASS	<OrgAddr4>	EC No . L13790
THIS DOCUMENT IS THE PROPERTY OF LENOVO. ITS USE IS AUTHORIZED ONLY FOR RESPONDING TO A REQUEST FOR QUOTATION OR FOR THE PERFORMANCE OF WORK FOR LENOVO. ALL QUESTIONS MUST BE REFERRED TO THE LENOVO PURCHASING DEPARTMENT.		TITLE: Kodachi Ver.V1.12
LENOVO CONFIDENTIAL		G-SENSOR
		sheet 72 of 99 Thursday, May 31, 2007





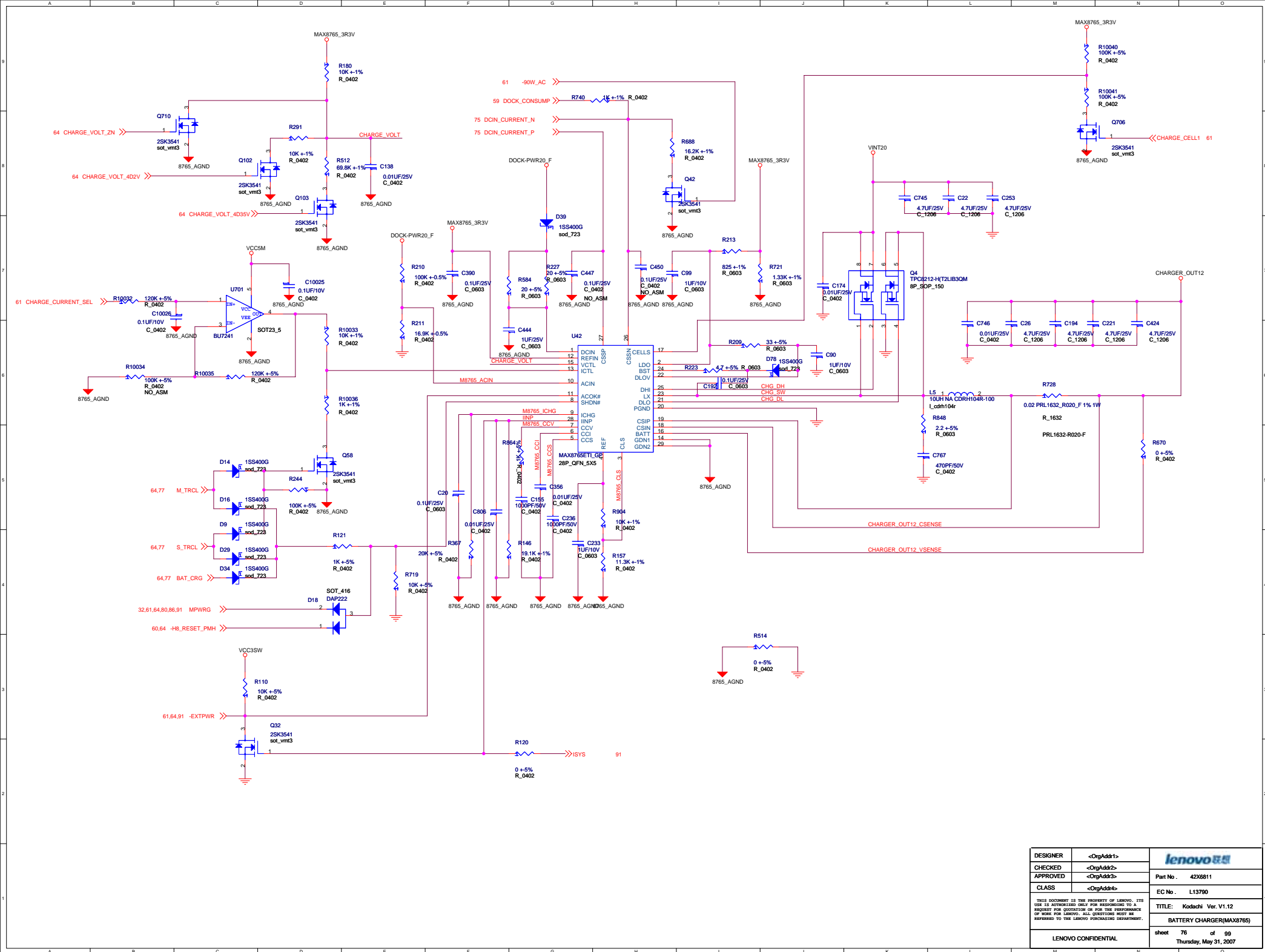
DESIGNER	<OrgAddr1>	
CHECKED	<OrgAddr2>	
APPROVED	<OrgAddr3>	
CLASS	<OrgAddr4>	
<small>THIS DOCUMENT IS THE PROPERTY OF LENOVO. ITS USE IS AUTHORIZED ONLY FOR RESPONDING TO A REQUEST FOR QUOTATION OR FOR THE PERFORMANCE OF WORK FOR LENOVO. ALL QUESTIONS MUST BE REFERRED TO THE LENOVO PURCHASING DEPARTMENT.</small>		Part No . 42X6811
		EC No . L13790
		TITLE: Kodachi Ver.V1.12
		EMC DECOUPLING
LENOVO CONFIDENTIAL		sheet 73 of 99 Thursday, May 31, 2007



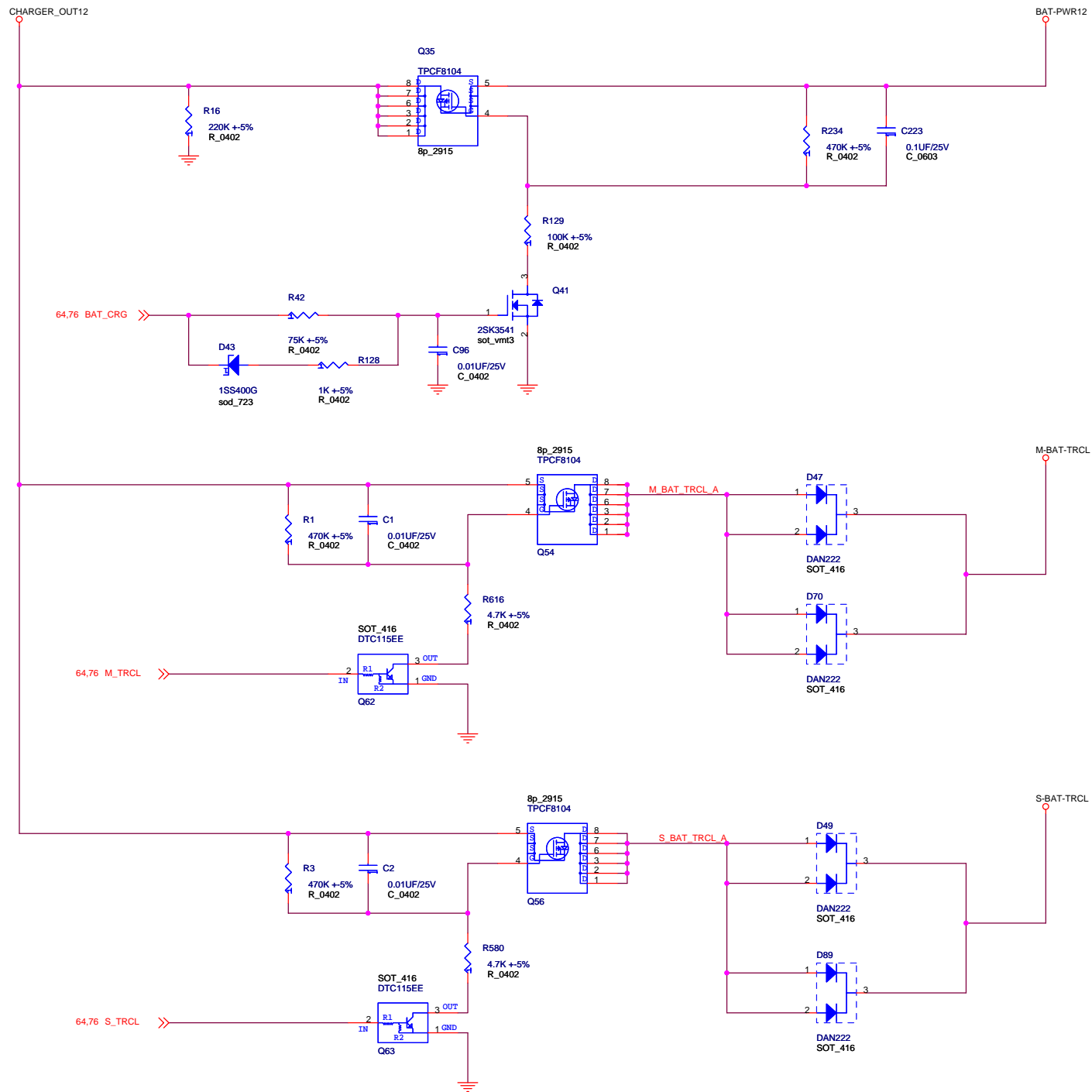



PEAK SHIFT	YES	NO
R662	NO_ASM	ASM
R369	ASM	NO_ASM
Q78	ASM	NO_ASM
Q51	ASM	NO_ASM

DESIGNER	<OrgAddr1>	
CHECKED	<OrgAddr2>	
APPROVED	<OrgAddr3>	Part No. 42X6811
CLASS	<OrgAddr4>	EC No. L13790
THIS DOCUMENT IS THE PROPERTY OF LENOVO. ITS USE IS AUTHORIZED ONLY FOR RESPONDING TO A REQUEST FOR QUOTATION OR FOR THE PERFORMANCE OF WORK FOR LENOVO. ALL QUESTIONS MUST BE REFERRED TO THE LENOVO PURCHASING DEPARTMENT.		TITLE: Kodachi Ver.V1.12
		DC-IN
LENOVO CONFIDENTIAL		sheet 75 of 99 Thursday, May 31, 2007

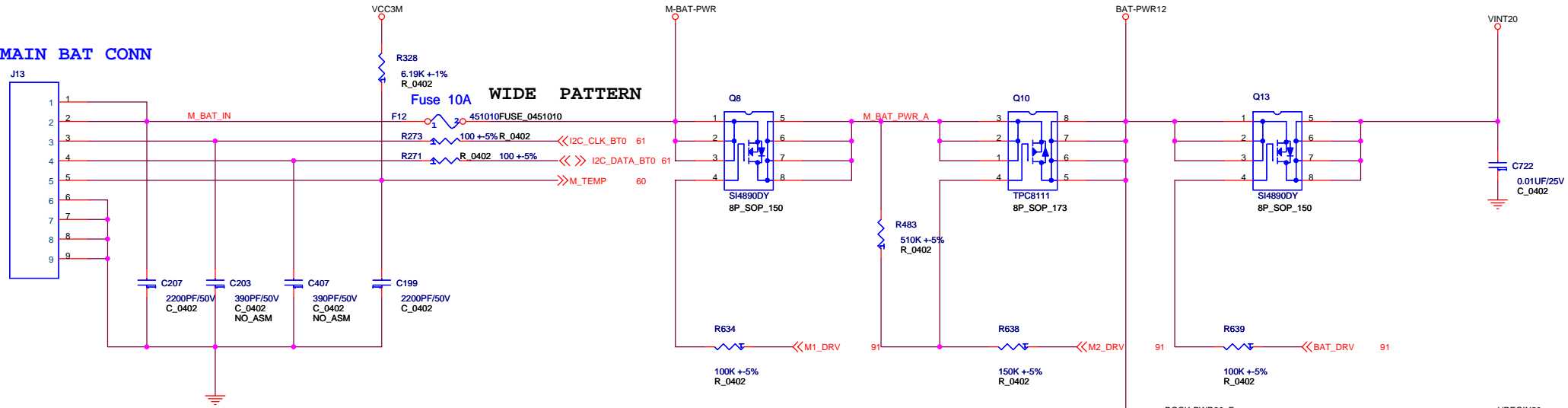


DESIGNER	<OrgAddr1>		
CHECKED	<OrgAddr2>		
APPROVED	<OrgAddr3>	Part No.	42X6811
CLASS	<OrgAddr4>	EC No.	L13790
THIS DOCUMENT IS THE PROPERTY OF LENOVO. ITS USE IS AUTHORIZED ONLY FOR REFERRING TO A REQUEST FOR QUOTATION OR FOR THE PERFORMANCE OF WORK FOR LENOVO. ALL QUESTIONS MUST BE REFERRED TO THE LENOVO PURCHASING DEPARTMENT.		TITLE:	BATTERY CHARGER(MAX8765)
LENOVO CONFIDENTIAL		sheet	76 of 88 Thursday, May 31, 2007

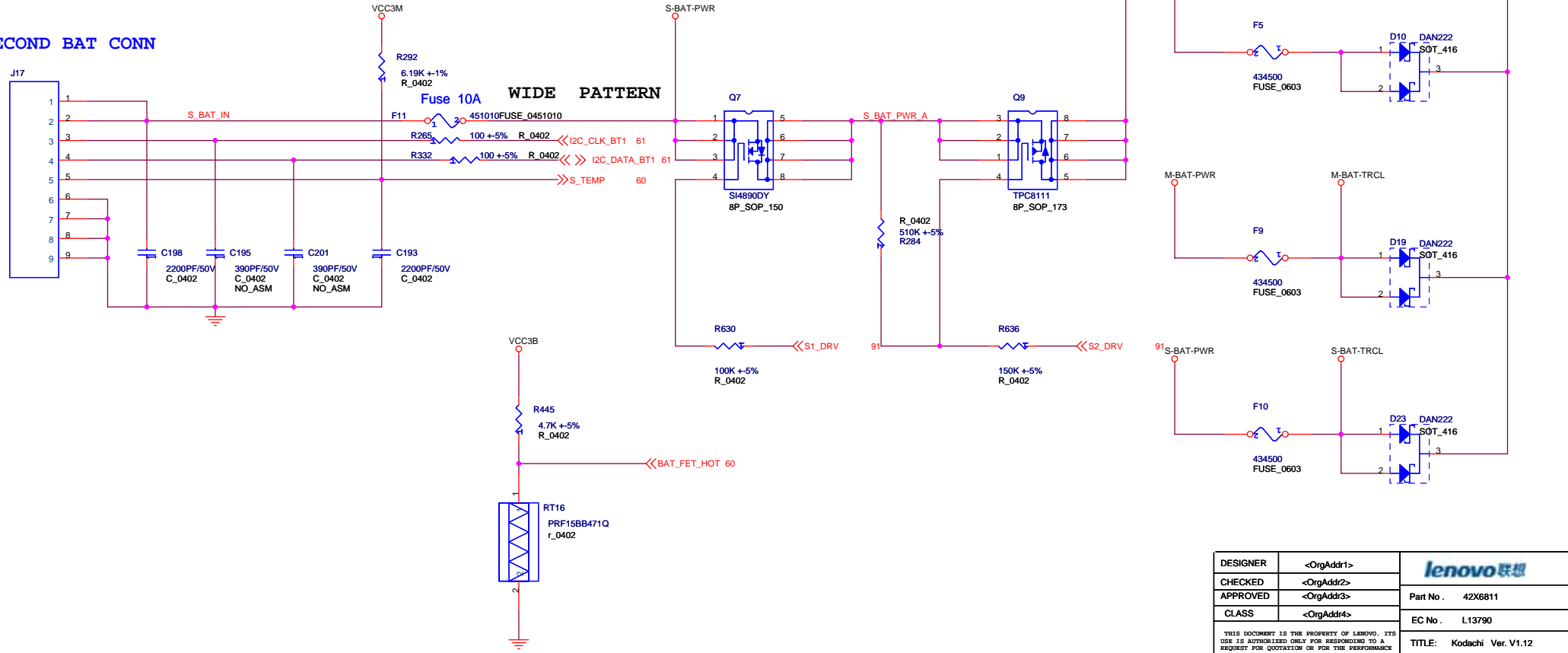


DESIGNER	<OrgAddr1>	
CHECKED	<OrgAddr2>	
APPROVED	<OrgAddr3>	Part No. 42X6811
CLASS	<OrgAddr4>	EC No. L13790
<small>THIS DOCUMENT IS THE PROPERTY OF LENOVO. ITS USE IS AUTHORIZED ONLY FOR RESPONDING TO A REQUEST FOR QUOTATION OR FOR THE PERFORMANCE OF WORK FOR LENOVO. ALL QUESTIONS MUST BE REFERRED TO THE LENOVO PURCHASING DEPARTMENT.</small>		TITLE: Kodachi Ver.V1.12
		CHARGE SELECTOR
LENOVO CONFIDENTIAL		sheet 77 of 99 Thursday, May 31, 2007

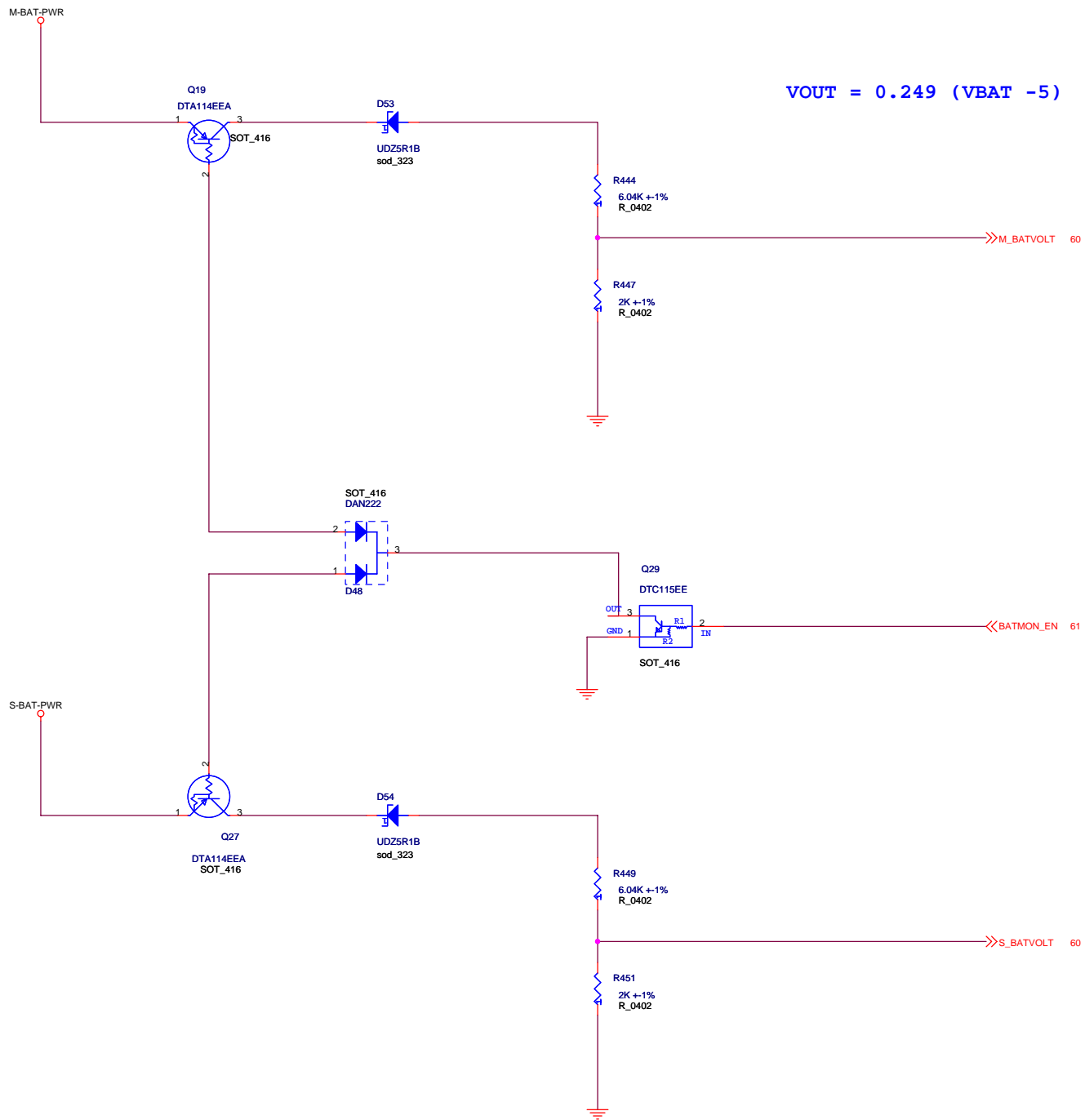
**MAIN BAT CONN**



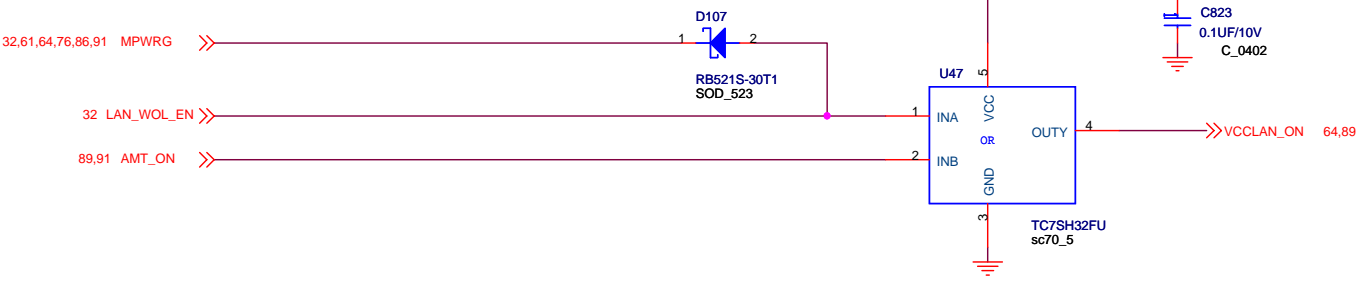
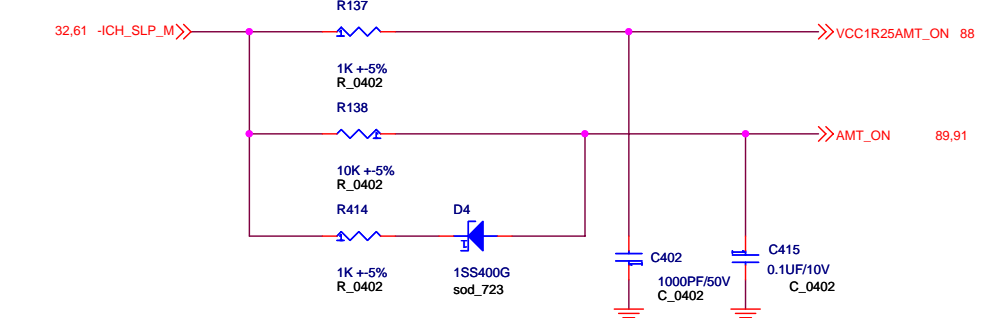
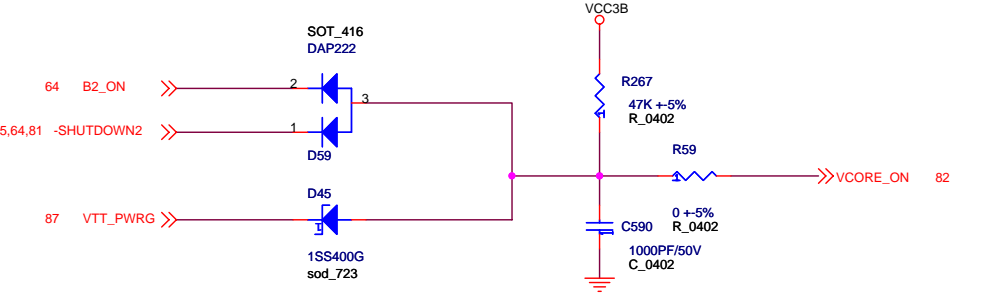
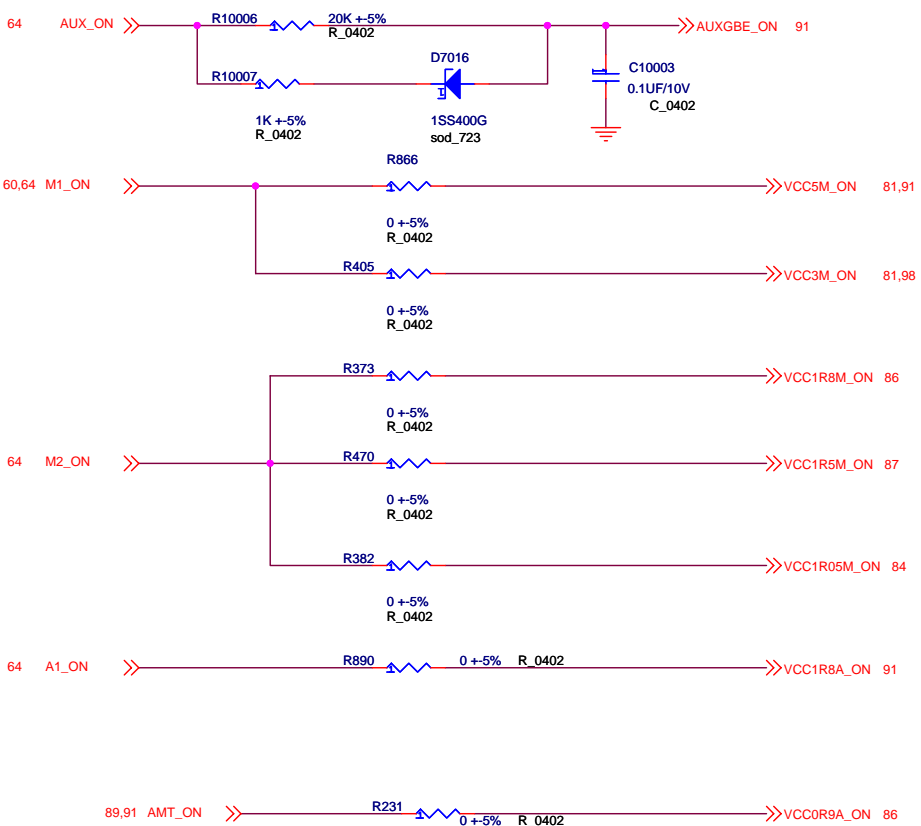
**SECOND BAT CONN**



DESIGNER	<OrgAddr1>	
CHECKED	<OrgAddr2>	
APPROVED	<OrgAddr3>	Part No. 42X6811
CLASS	<OrgAddr4>	EC No. L13790
THIS DOCUMENT IS THE PROPERTY OF LENOVO. ITS USE IS AUTHORIZED ONLY FOR RESPONDING TO A REQUEST FOR QUOTATION OR FOR THE PERFORMANCE OF WORK FOR LENOVO. ALL QUESTIONS MUST BE REFERRED TO THE LENOVO PURCHASING DEPARTMENT.		
TITLE: Kodachi Ver.V1.12		
BATTERY INPUT		
LENOVO CONFIDENTIAL		sheet 78 of 99 Thursday, May 31, 2007

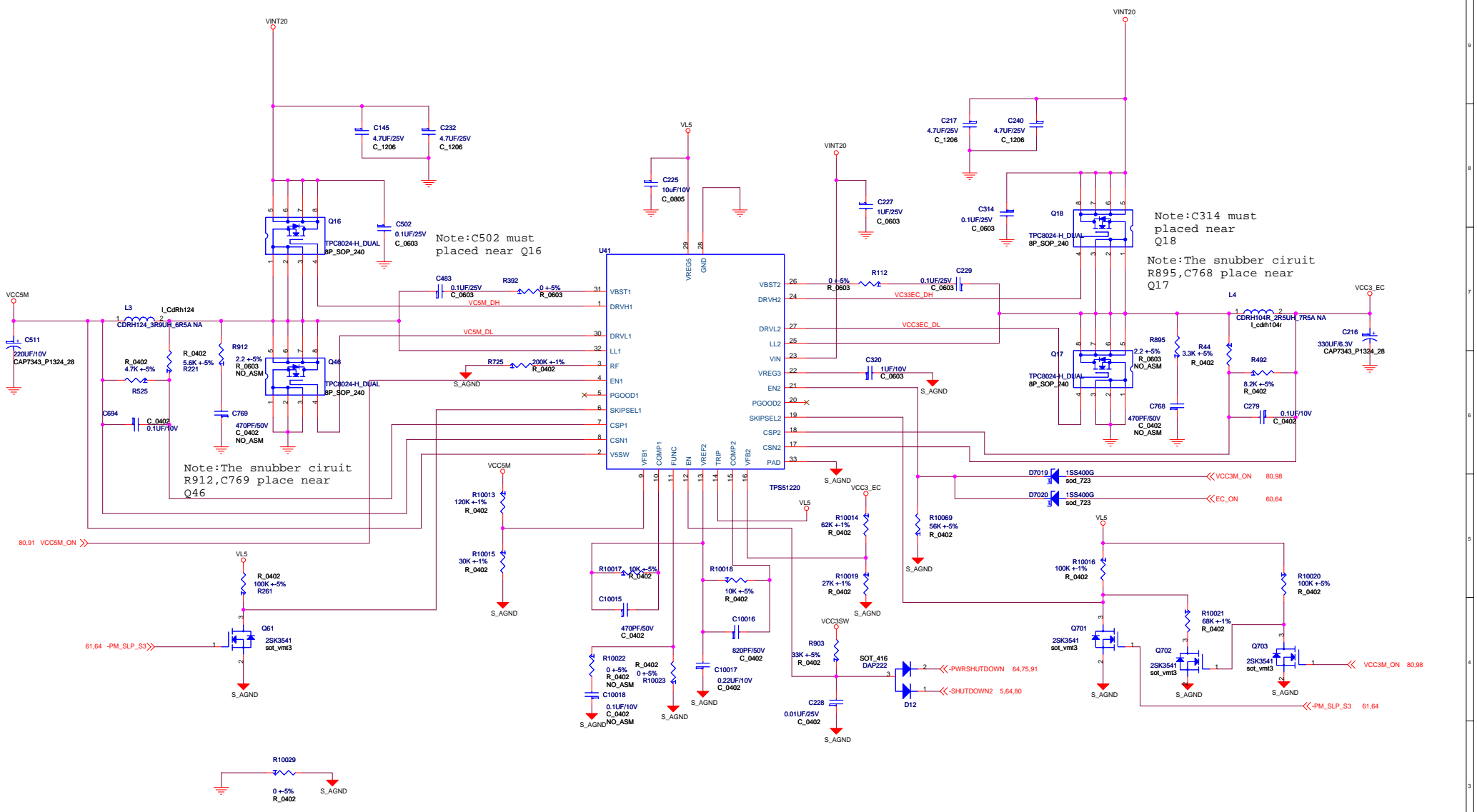


DESIGNER	<OrgAddr1>	<b>lenovo</b> 联想
CHECKED	<OrgAddr2>	
APPROVED	<OrgAddr3>	Part No . 42X6811
CLASS	<OrgAddr4>	EC No . L13790
<small>THIS DOCUMENT IS THE PROPERTY OF LENOVO. ITS USE IS AUTHORIZED ONLY FOR RESPONDING TO A REQUEST FOR QUOTATION OR FOR THE PERFORMANCE OF WORK FOR LENOVO. ALL QUESTIONS MUST BE REFERRED TO THE LENOVO PURCHASING DEPARTMENT.</small>		TITLE: Kodachi Ver.V1.12
LENOVO CONFIDENTIAL		BATTERY MONITOR
		sheet 79 of 99 Thursday, May 31, 2007



DESIGNER	<OrgAddr1>	<b>lenovo</b> 联想
CHECKED	<OrgAddr2>	
APPROVED	<OrgAddr3>	
CLASS	<OrgAddr4>	
<small>THIS DOCUMENT IS THE PROPERTY OF LENOVO. ITS USE IS AUTHORIZED ONLY FOR RESPONDING TO A REQUEST FOR QUOTATION OR FOR THE PERFORMANCE OF WORK FOR LENOVO. ALL QUESTIONS MUST BE REFERRED TO THE LENOVO PURCHASING DEPARTMENT.</small>		Part No . 42X6811
		EC No . L13790
		TITLE: Kodachi Ver. V1.12
		POWER SEQUENCE
LENOVO CONFIDENTIAL		sheet 80 of 99 Thursday, May 31, 2007





Note:C502 must placed near Q16

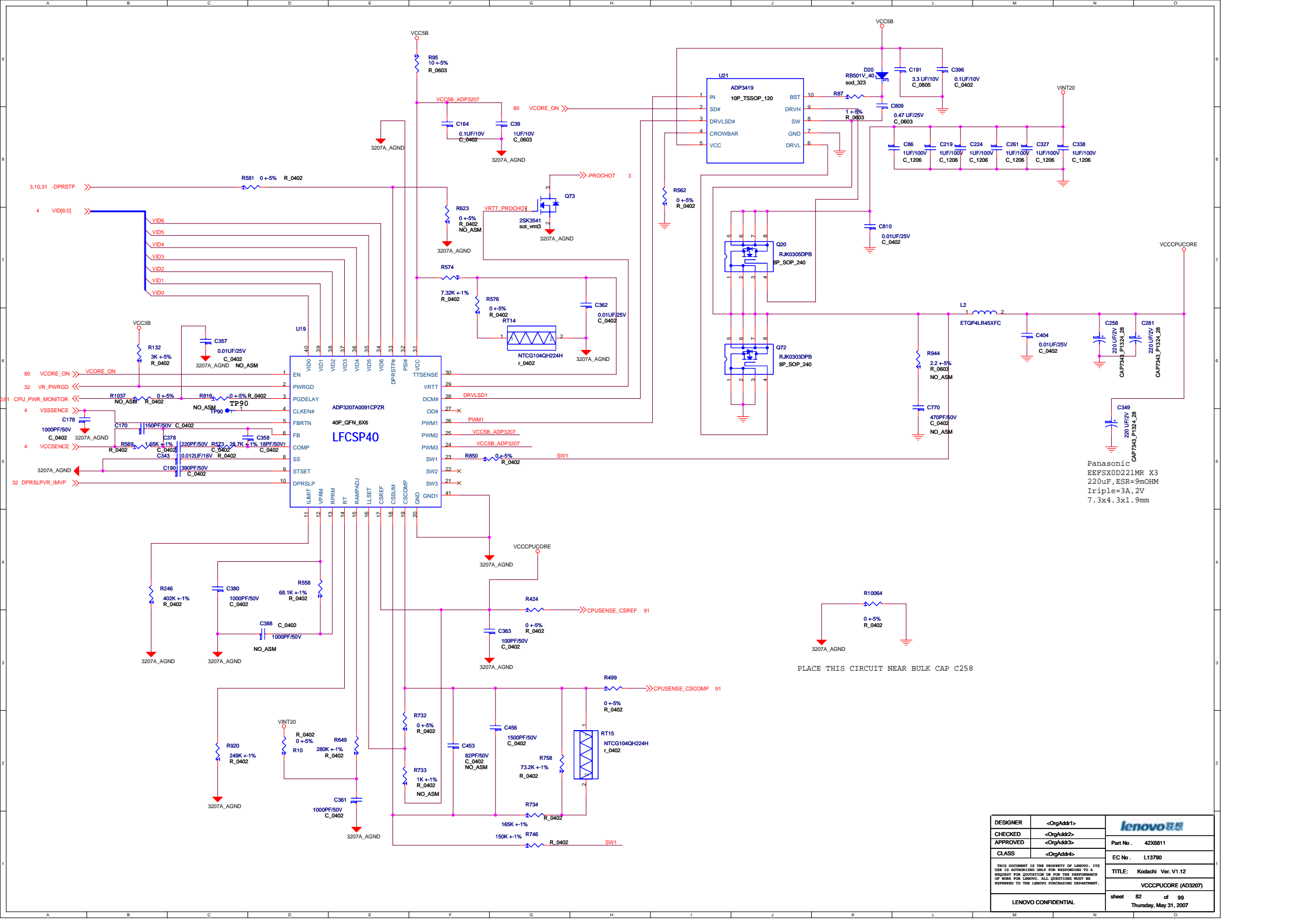
Note:The snubber circuit R912,C769 place near Q46

Note:C314 must placed near Q18

Note:The snubber circuit R895,C768 place near Q17


Note:R10029 must be placed near U41.28 PIN(GND)

DESIGNER	<OrgAddr1>	
CHECKED	<OrgAddr2>	
APPROVED	<OrgAddr3>	
CLASS	<OrgAddr4>	
<small>THIS DOCUMENT IS THE PROPERTY OF Lenovo. ITS USE IS AUTHORIZED ONLY FOR REFERRING TO A REQUEST FOR QUOTATION OR FOR THE PERFORMANCE OF WORK FOR Lenovo. ALL QUESTIONS MUST BE REFERRED TO THE Lenovo PURCHASING DEPARTMENT.</small>		Part No. 42X6811
		EC No. L13790
		TITLE: Kodachi Ver.V1.12
		VCC3M/VCCSM (MAX8774)
LENOVO CONFIDENTIAL		sheet 81 of 99
		Thursday, May 31, 2007

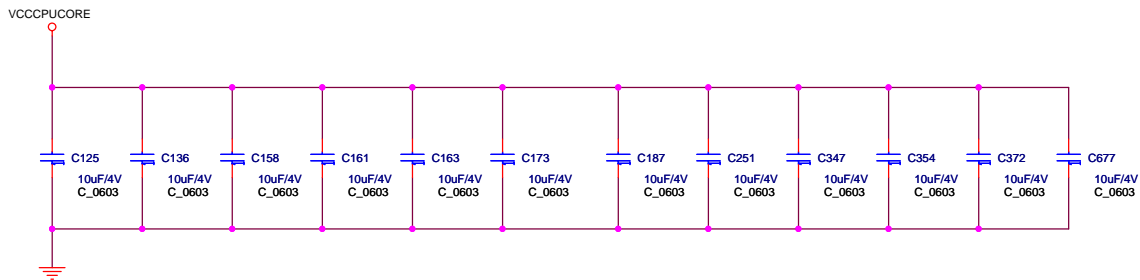


Panasonic  
EEFSX0D221MR X3  
220uF, ESR=9mOHM  
Iripple=3A, 2V  
7.3x4.3x1.9mm

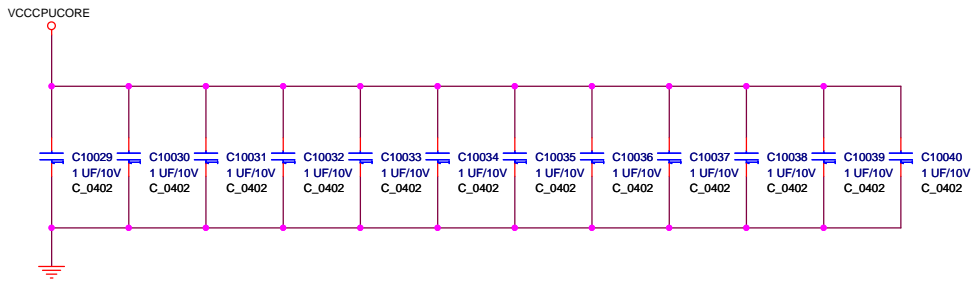
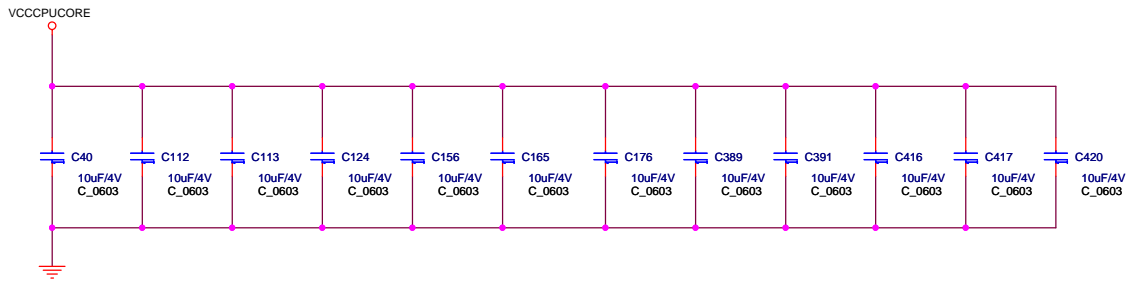
PLACE THIS CIRCUIT NEAR BULK CAP C258

DESIGNER	<OrgAddr1>	
CHECKED	<OrgAddr2>	
APPROVED	<OrgAddr3>	Part No. 42X6811
CLASS	<OrgAddr4>	EC No. L13790
<small>THIS DOCUMENT IS THE PROPERTY OF LENOVO. ITS USE IS AUTHORIZED ONLY FOR REFERENCE TO A REQUEST FOR QUOTATION OR FOR THE PERFORMANCE OF WORK FOR LENOVO. ALL QUESTIONS MUST BE REFERRED TO THE LENOVO PURCHASING DEPARTMENT.</small>		
VCCCPUCORE (AD3207)		
sheet	82 of 99	
Thursday, May 31, 2007		

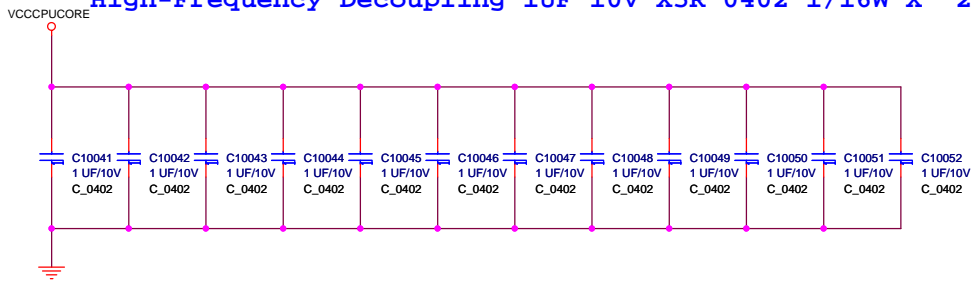
LENOVO CONFIDENTIAL



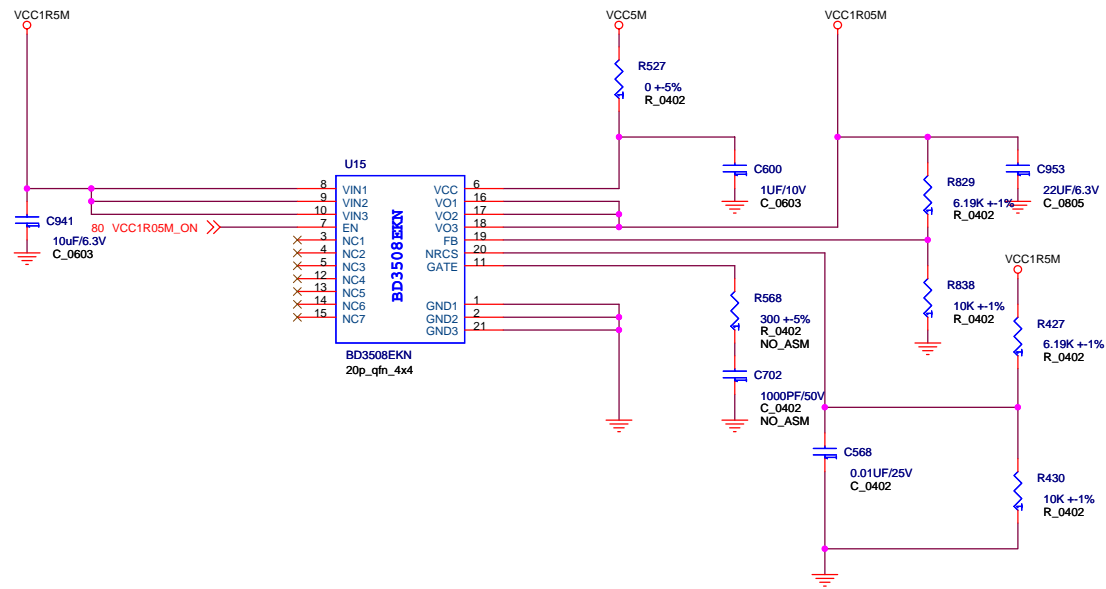
Mid-Frequency Decoupling Kyocera CM105X5R106M04AT 10UF 4V X5R 0603 1/16W X 24PCS




High-Frequency Decoupling 1UF 10V X5R 0402 1/16W X 24PCS




DESIGNER	<OrgAddr1>	
CHECKED	<OrgAddr2>	
APPROVED	<OrgAddr3>	Part No . 42X6811
CLASS	<OrgAddr4>	EC No . L13790
THIS DOCUMENT IS THE PROPERTY OF LENOVO. ITS USE IS AUTHORIZED ONLY FOR RESPONDING TO A REQUEST FOR QUOTATION OR FOR THE PERFORMANCE OF WORK FOR LENOVO. ALL QUESTIONS MUST BE REFERRED TO THE LENOVO PURCHASING DEPARTMENT.		TITLE: Kodachi Ver.V1.12
LENOVO CONFIDENTIAL		VCCCPUCORE DECOUPLING
		sheet 83 of 99
		Thursday, May 31, 2007

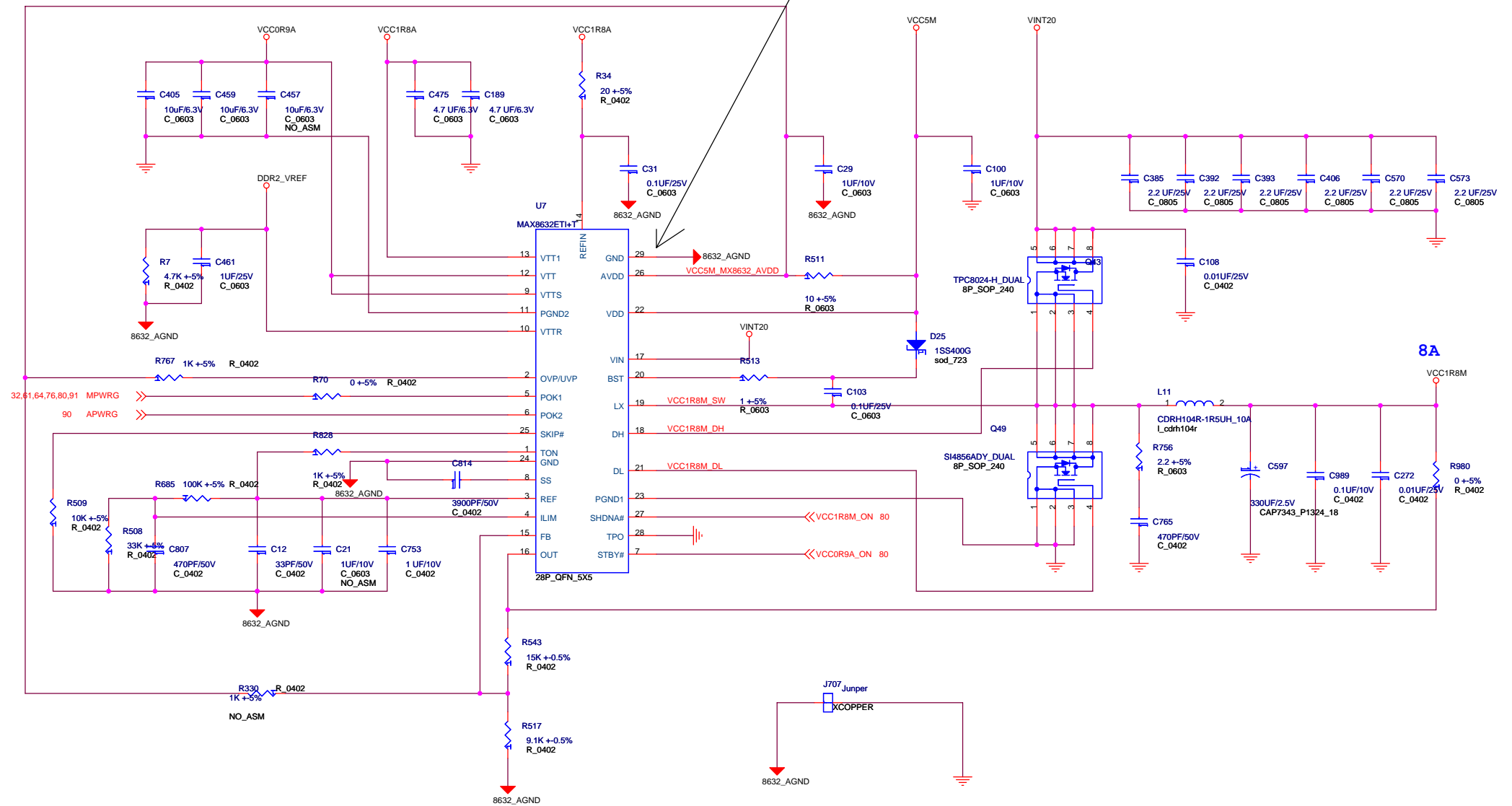


DESIGNER	<OrgAddr1>	
CHECKED	<OrgAddr2>	
APPROVED	<OrgAddr3>	
CLASS	<OrgAddr4>	
<small>THIS DOCUMENT IS THE PROPERTY OF LENOVO. ITS USE IS AUTHORIZED ONLY FOR RESPONDING TO A REQUEST FOR QUOTATION OR FOR THE PERFORMANCE OF WORK FOR LENOVO. ALL QUESTIONS MUST BE REFERRED TO THE LENOVO PURCHASING DEPARTMENT.</small>		Part No . 42X6811
		EC No . L13790
		TITLE: Kodachi Ver.V1.12
		VCC1R5M
LENOVO CONFIDENTIAL		sheet 84 of 99 Thursday, May 31, 2007

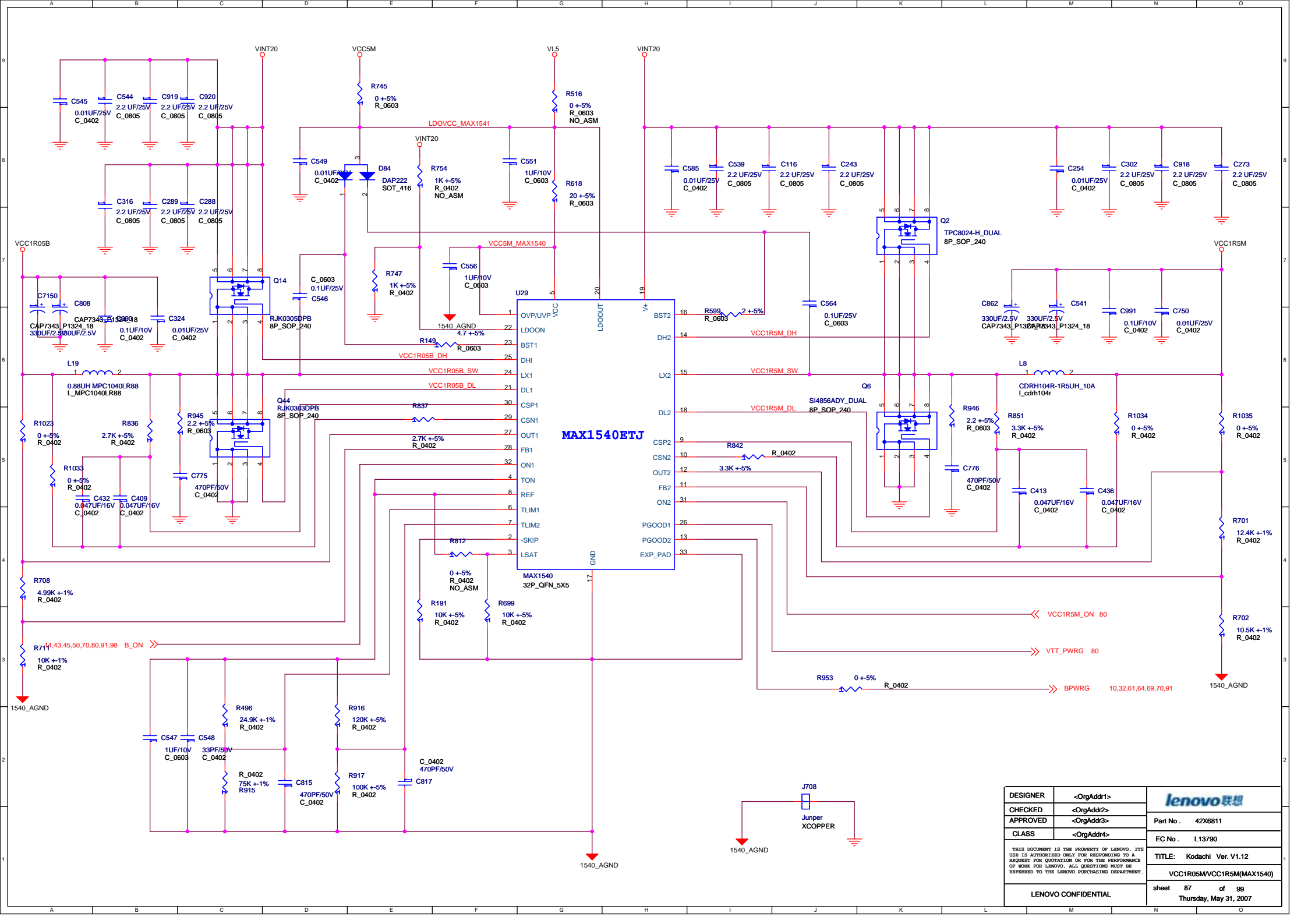
A	B	C	D	E	F	G	H	I	J	K	L	M	N	O
9														
8														
7														
6														
5														
4														
3														
2														
1														
A	B	C	D	E	F	G	H	I	J	K	L	M	N	O


DESIGNER	<OrgAddr1>	
CHECKED	<OrgAddr2>	
APPROVED	<OrgAddr3>	
CLASS	<OrgAddr4>	Part No . 42X6811
THIS DOCUMENT IS THE PROPERTY OF LENOVO. ITS USE IS AUTHORIZED ONLY FOR RESPONDING TO A REQUEST FOR QUOTATION OR FOR THE PERFORMANCE OF WORK FOR LENOVO. ALL QUESTIONS MUST BE REFERRED TO THE LENOVO PURCHASING DEPARTMENT.		EC No . L13790
LENOVO CONFIDENTIAL		TITLE: Kodachi Ver. V1.12
		VCCGFXCORE(MAX1993)
		sheet 85 of 99 Thursday, May 31, 2007

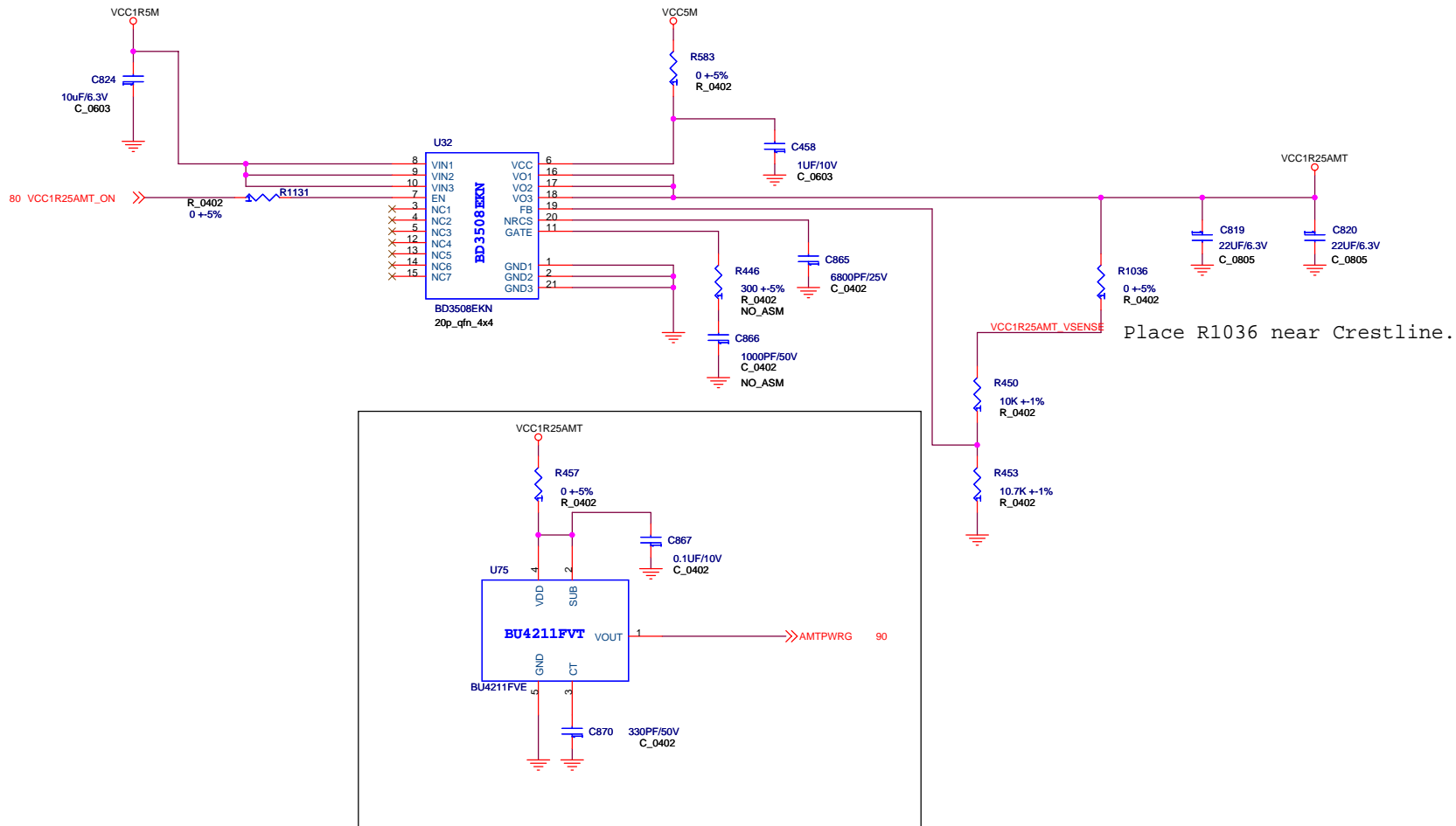
The expose pad(pin29:GND) must be start-connected to GND (pin24:MAX8632\_AGND) and PGND2(pin11).



DESIGNER	<OrgAddr1>	
CHECKED	<OrgAddr2>	
APPROVED	<OrgAddr3>	Part No. 42X6811
CLASS	<OrgAddr4>	EC No. L13790
THIS DOCUMENT IS THE PROPERTY OF LENOVO. ITS USE IS AUTHORIZED ONLY FOR RESPONDING TO A REQUEST FOR QUOTATION OR FOR THE PERFORMANCE OF WORK FOR LENOVO. ALL QUESTIONS MUST BE REFERRED TO THE LENOVO PURCHASING DEPARTMENT.		TITLE: Kodachi Ver.V1.12
LENOVO CONFIDENTIAL		VCC1R8A/VCC0R9A(MAX8632)
		sheet 86 of 99
		Thursday, May 31, 2007

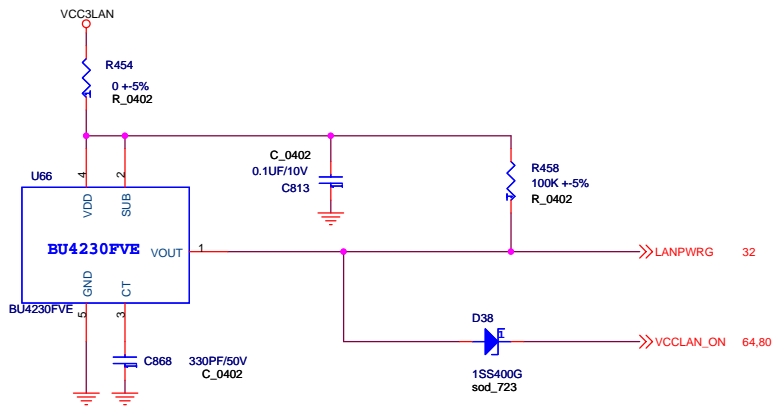
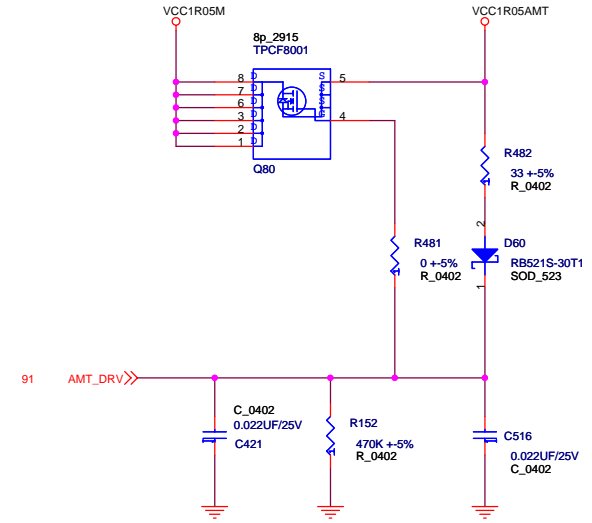
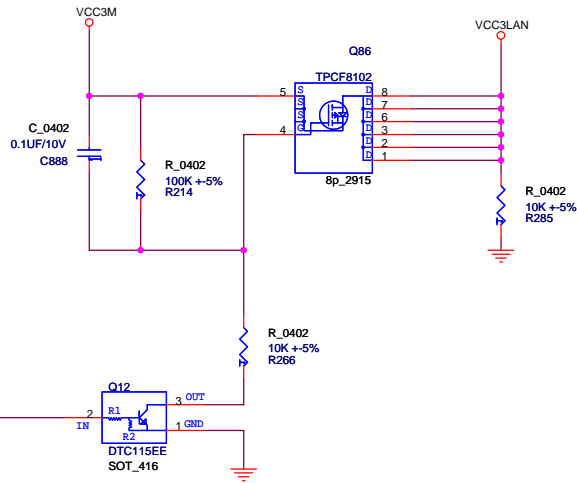
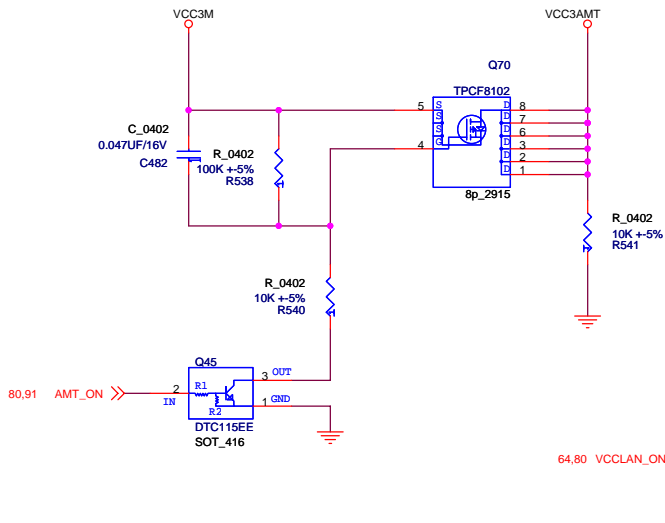


DESIGNER	<OrgAdd1>	 Part No. 42X6811 EC No. L13790 TITLE: Kodachi Ver.V1.12 VCC1R05M/VCC1R5M(MAX1540) sheet 87 of 99 Thursday, May 31, 2007
CHECKED	<OrgAdd2>	
APPROVED	<OrgAdd3>	
CLASS	<OrgAdd4>	
THIS DOCUMENT IS THE PROPERTY OF LENOVO. ITS USE IS AUTHORIZED ONLY FOR RESPONDING TO A REQUEST FOR QUOTATION OR FOR THE PERFORMANCE OF WORK FOR LENOVO. ALL QUESTIONS MUST BE REFERRED TO THE LENOVO PURCHASING DEPARTMENT.		
LENOVO CONFIDENTIAL		

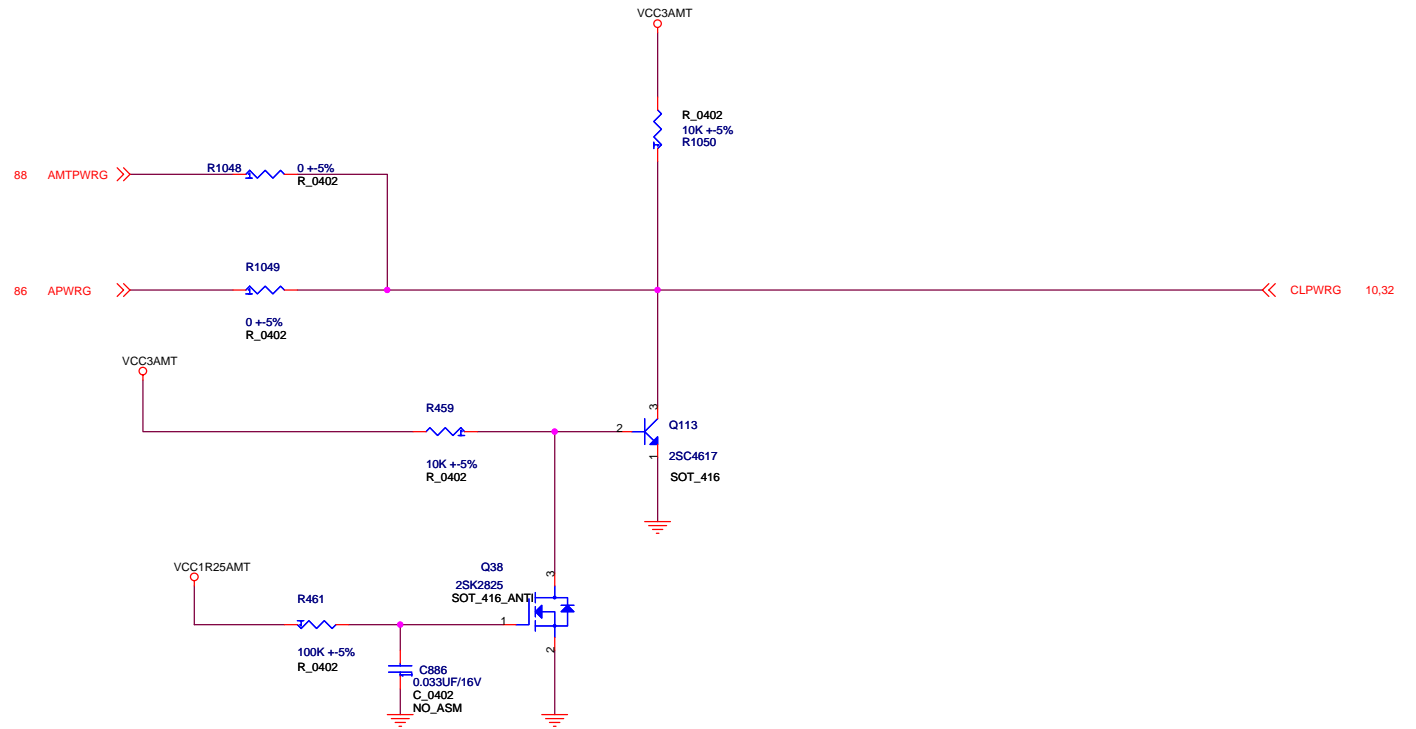


DESIGNER	<OrgAddr1>	
CHECKED	<OrgAddr2>	
APPROVED	<OrgAddr3>	Part No . 42X6811
CLASS	<OrgAddr4>	EC No . L13790
THIS DOCUMENT IS THE PROPERTY OF LENOVO. ITS USE IS AUTHORIZED ONLY FOR RESPONDING TO A REQUEST FOR QUOTATION OR FOR THE PERFORMANCE OF WORK FOR LENOVO. ALL QUESTIONS MUST BE REFERRED TO THE LENOVO PURCHASING DEPARTMENT.		TITLE: Kodachi Ver.V1.12
		VCC1R25B(VT322)
LENOVO CONFIDENTIAL		sheet 88 of 99 Thursday, May 31, 2007

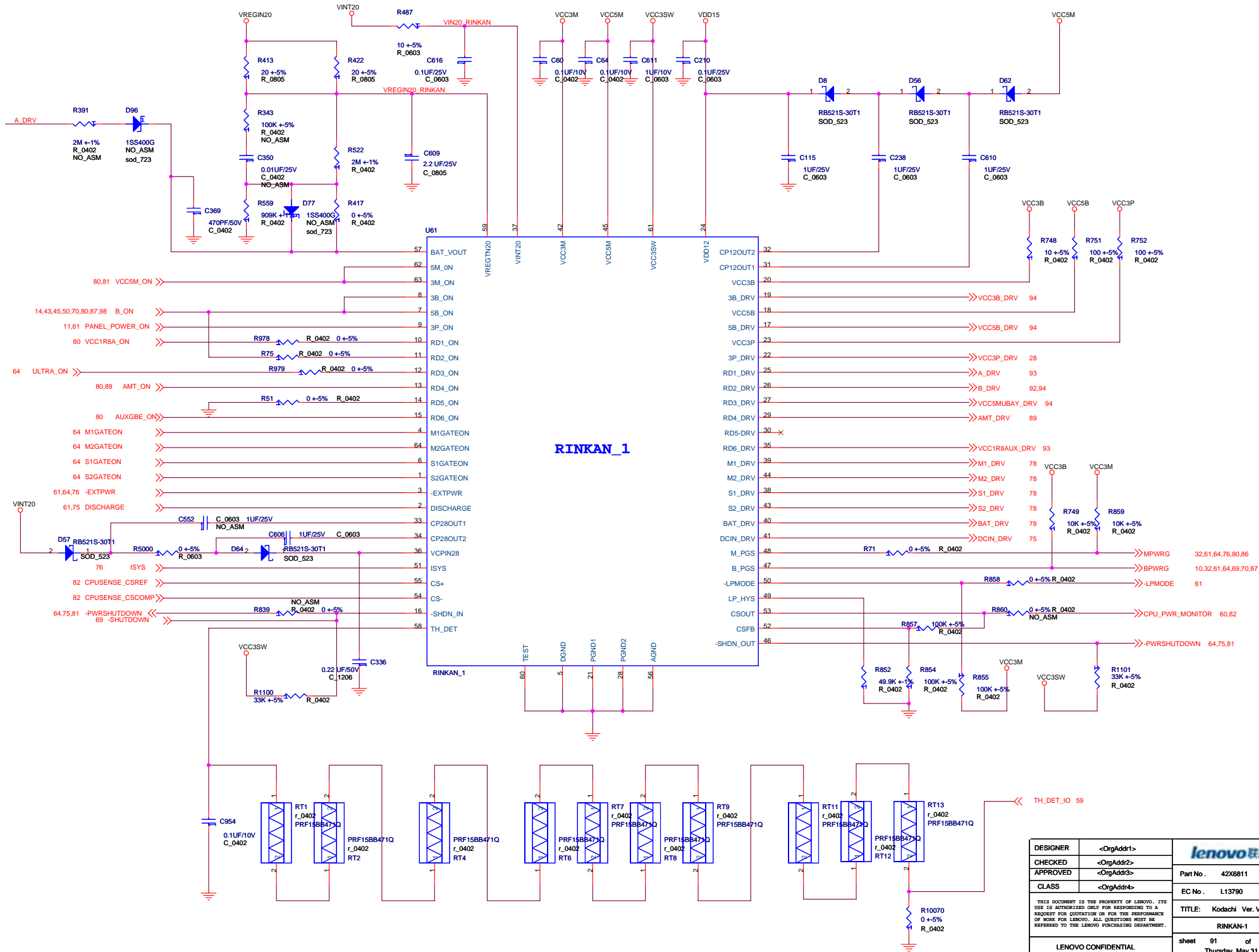




DESIGNER	<OrgAddr1>	
CHECKED	<OrgAddr2>	
APPROVED	<OrgAddr3>	Part No. 42X6811
CLASS	<OrgAddr4>	EC No. L13790
THIS DOCUMENT IS THE PROPERTY OF LENOVO. ITS USE IS AUTHORIZED ONLY FOR RESPONDING TO A REQUEST FOR QUOTATION OR FOR THE PERFORMANCE OF WORK FOR LENOVO. ALL QUESTIONS MUST BE REFERRED TO THE LENOVO PURCHASING DEPARTMENT.		TITLE: Kodachi Ver.V1.12
		LOAD SW AMT
LENOVO CONFIDENTIAL		sheet 89 of 99 Thursday, May 31, 2007

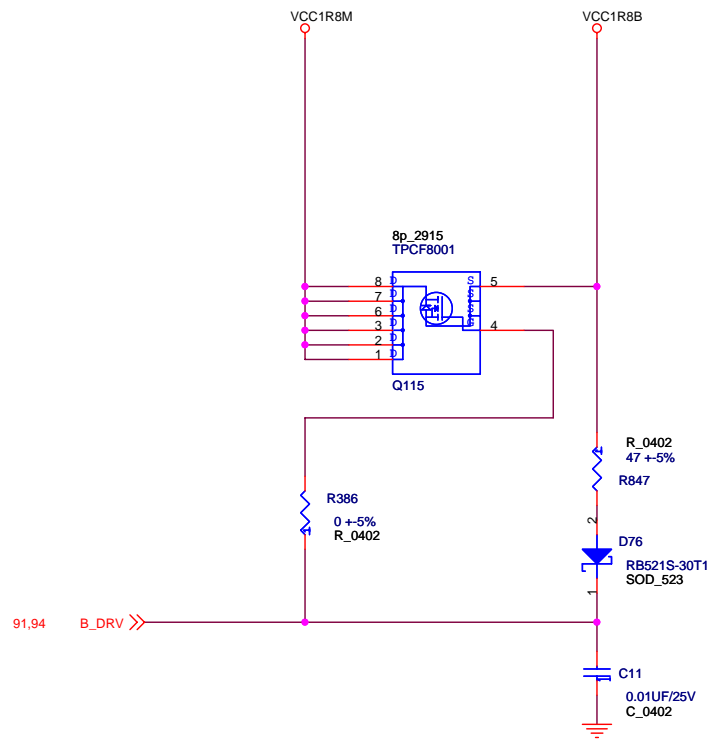


DESIGNER	<OrgAddr1>	<b>lenovo</b> 联想
CHECKED	<OrgAddr2>	
APPROVED	<OrgAddr3>	Part No . 42X6811
CLASS	<OrgAddr4>	EC No . L13790
<small>THIS DOCUMENT IS THE PROPERTY OF LENOVO. ITS USE IS AUTHORIZED ONLY FOR RESPONDING TO A REQUEST FOR QUOTATION OR FOR THE PERFORMANCE OF WORK FOR LENOVO. ALL QUESTIONS MUST BE REFERRED TO THE LENOVO PURCHASING DEPARTMENT.</small>		TITLE: Kodachi Ver.V1.12
		PWRG
LENOVO CONFIDENTIAL		sheet 90 of 99 Thursday, May 31, 2007

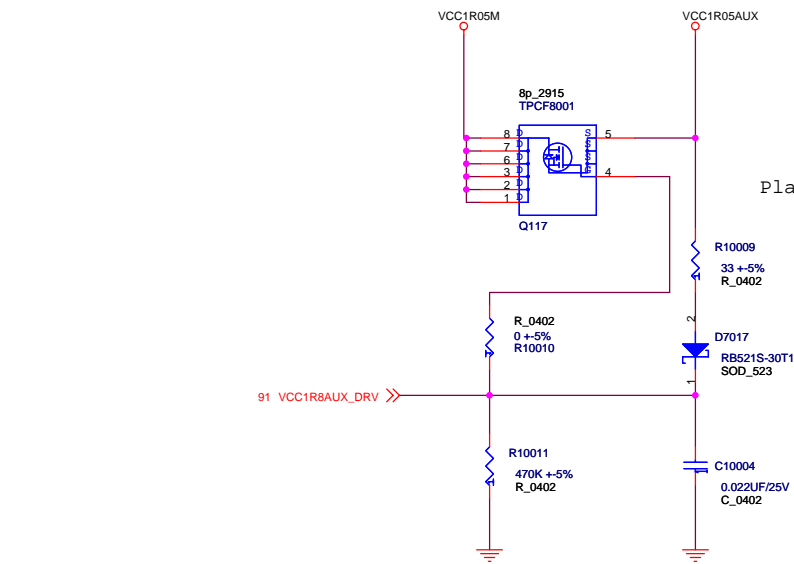


**RINKAN\_1**

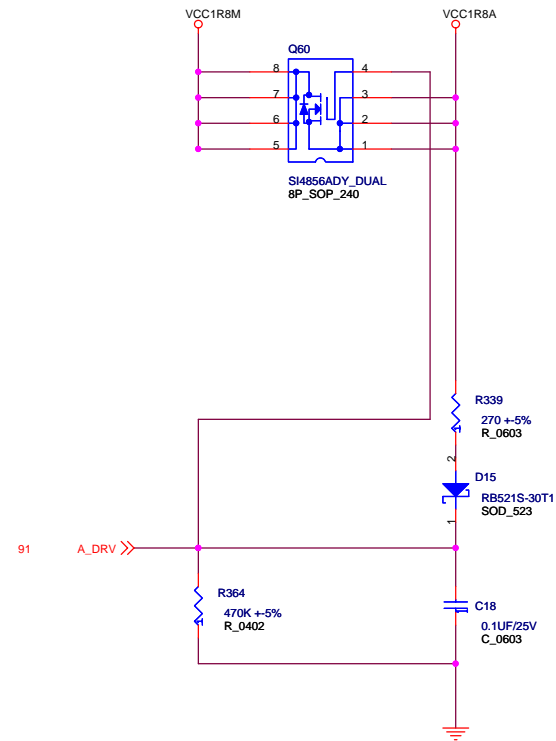
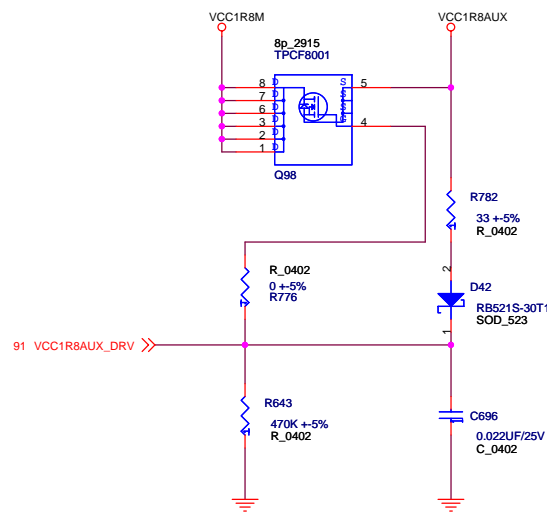
DESIGNER	<OrgAddr1>	
CHECKED	<OrgAddr2>	
APPROVED	<OrgAddr3>	Part No. 42X6811
CLASS	<OrgAddr4>	EC No. L13790
<small>THIS DOCUMENT IS THE PROPERTY OF Lenovo. ITS USE IS AUTHORIZED ONLY FOR RESPONDING TO A REQUEST FOR QUOTATION OR FOR THE PERFORMANCE OF WORK FOR Lenovo. ALL QUESTIONS MUST BE REFERRED TO THE Lenovo PURCHASING DEPARTMENT.</small>		
		TITLE: Kodachi Ver.V1.12
		RINKAN-1
LENOVO CONFIDENTIAL		sheet 91 of 99 Thursday, May 31, 2007



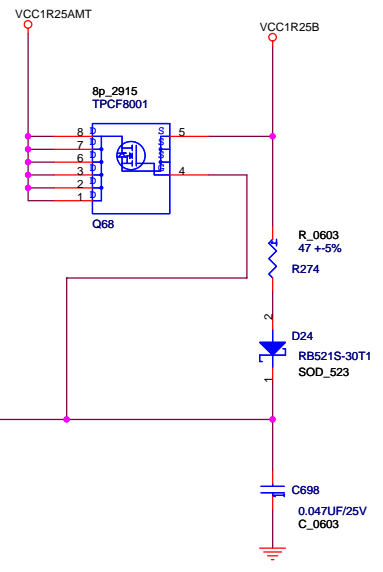
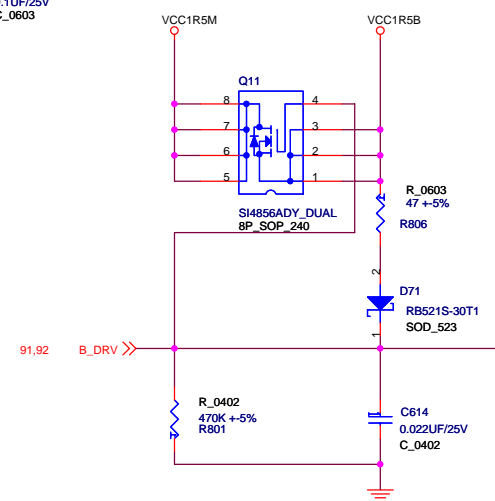
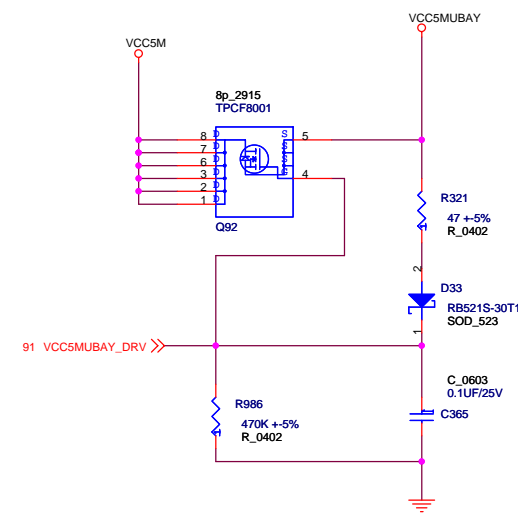
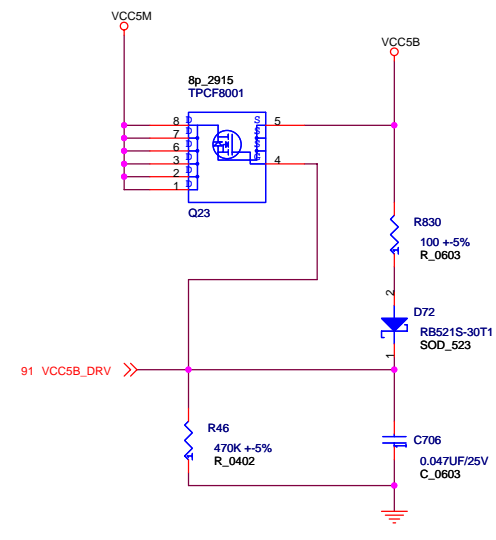
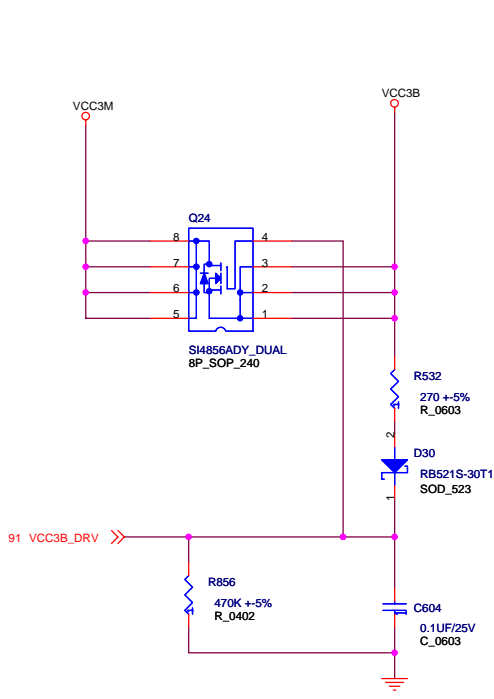
DESIGNER	<OrgAddr1>	<b>lenovo</b> 联想
CHECKED	<OrgAddr2>	
APPROVED	<OrgAddr3>	
CLASS	<OrgAddr4>	
THIS DOCUMENT IS THE PROPERTY OF LENOVO. ITS USE IS AUTHORIZED ONLY FOR RESPONDING TO A REQUEST FOR QUOTATION OR FOR THE PERFORMANCE OF WORK FOR LENOVO. ALL QUESTIONS MUST BE REFERRED TO THE LENOVO PURCHASING DEPARTMENT.		Part No . 42X6811
		EC No . L13790
		TITLE: Kodachi Ver. V1.12
LENOVO CONFIDENTIAL		LOAD SW VIDEO
		sheet 92 of 99 Thursday, May 31, 2007



Place near U10




DESIGNER	<OrgAddr1>	
CHECKED	<OrgAddr2>	
APPROVED	<OrgAddr3>	Part No. 42X6811
CLASS	<OrgAddr4>	EC No. L13790
THIS DOCUMENT IS THE PROPERTY OF LENOVO. ITS USE IS AUTHORIZED ONLY FOR RESPONDING TO A REQUEST FOR QUOTATION OR FOR THE PERFORMANCE OF WORK FOR LENOVO. ALL QUESTIONS MUST BE REFERRED TO THE LENOVO PURCHASING DEPARTMENT.		TITLE: Kodachi Ver.V1.12
		LOAD SW AUX1 AUX2
LENOVO CONFIDENTIAL		sheet 93 of 99 Thursday, May 31, 2007




DESIGNER	<OrgAddr1>	
CHECKED	<OrgAddr2>	
APPROVED	<OrgAddr3>	Part No . 42X6811
CLASS	<OrgAddr4>	EC No . L13790
THIS DOCUMENT IS THE PROPERTY OF LENOVO. ITS USE IS AUTHORIZED ONLY FOR RESPONDING TO A REQUEST FOR QUOTATION OR FOR THE PERFORMANCE OF WORK FOR LENOVO. ALL QUESTIONS MUST BE REFERRED TO THE LENOVO PURCHASING DEPARTMENT.		TITLE: Kodachi Ver.V1.12
LENOVO CONFIDENTIAL		LOAD SW B&UBAY
		sheet 94 of 99
		Thursday, May 31, 2007

A	B	C	D	E	F	G	H	I	J	K	L	M	N	O
9														
8														
7														
6														
5														
4														
3														
2														
1														
A	B	C	D	E	F	G	H	I	J	K	L	M	N	O

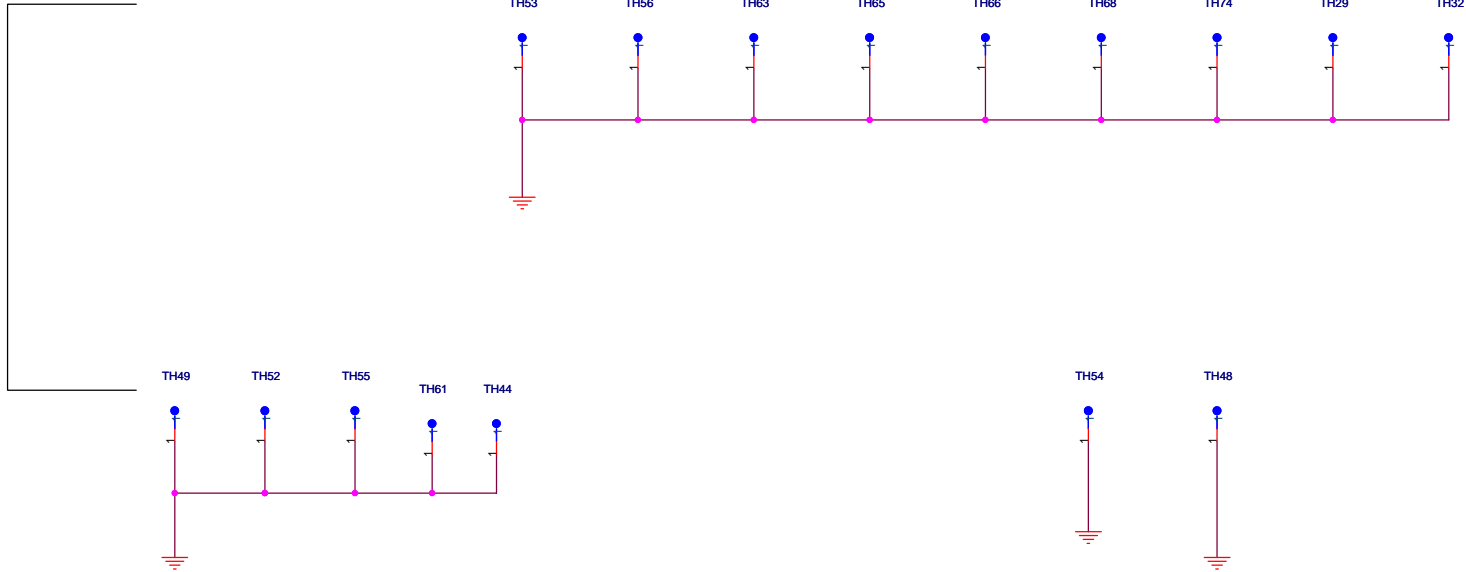
DESIGNER	<OrgAddr1>	
CHECKED	<OrgAddr2>	
APPROVED	<OrgAddr3>	
CLASS	<OrgAddr4>	
<small>THIS DOCUMENT IS THE PROPERTY OF LENOVO. ITS USE IS AUTHORIZED ONLY FOR RESPONDING TO A REQUEST FOR QUOTATION OR FOR THE PERFORMANCE OF WORK FOR LENOVO. ALL QUESTIONS MUST BE REFERRED TO THE LENOVO PURCHASING DEPARTMENT.</small>		Part No . 42X6811
		EC No . L13790
		TITLE: Kodachi Ver.V1.12
		MAX POWER CTRL
LENOVO CONFIDENTIAL		sheet 95 of 99 Thursday, May 31, 2007


A	B	C	D	E	F	G	H	I	J	K	L	M	N	O
9														
8														
7														
6														
5														
4														
3														
2														
1														
A	B	C	D	E	F	G	H	I	J	K	L	M	N	O

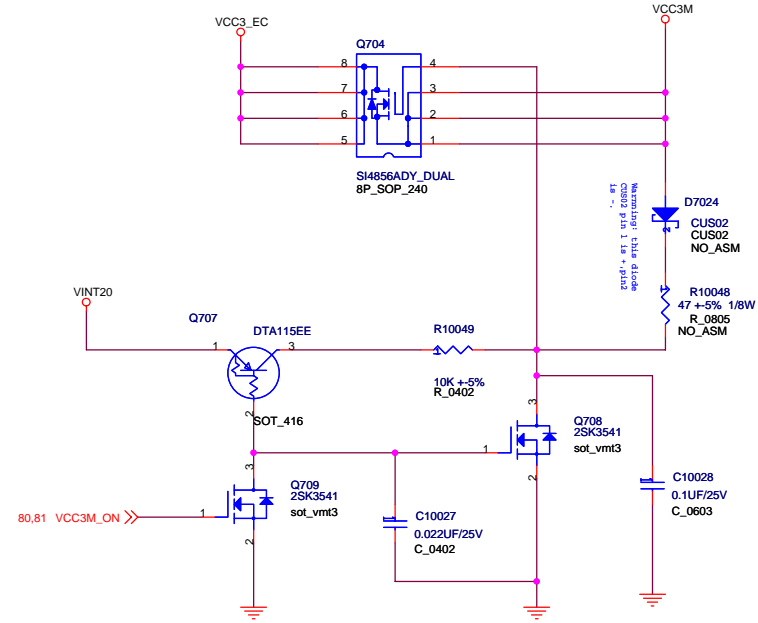
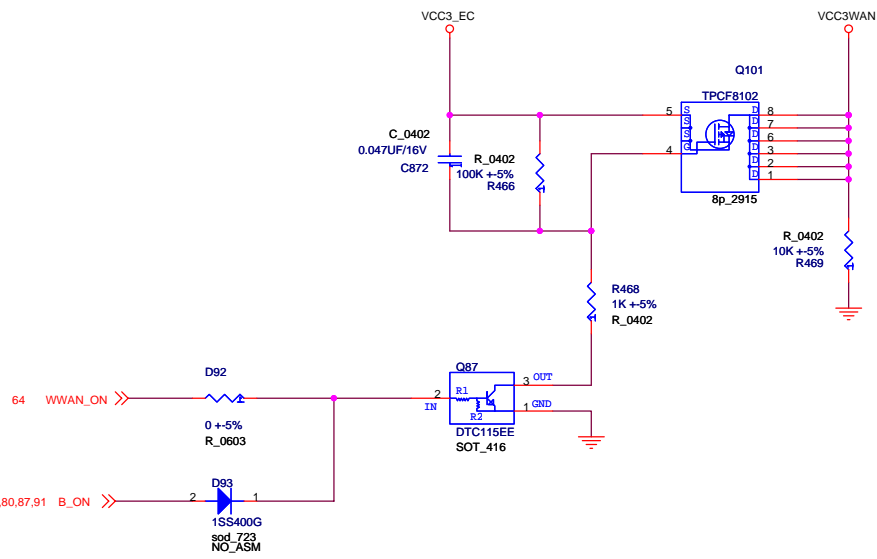
DESIGNER	<OrgAddr1>	
CHECKED	<OrgAddr2>	
APPROVED	<OrgAddr3>	
CLASS	<OrgAddr4>	Part No . 42X6811
<small>THIS DOCUMENT IS THE PROPERTY OF LENOVO. ITS USE IS AUTHORIZED ONLY FOR RESPONDING TO A REQUEST FOR QUOTATION OR FOR THE PERFORMANCE OF WORK FOR LENOVO. ALL QUESTIONS MUST BE REFERRED TO THE LENOVO PURCHASING DEPARTMENT.</small>		EC No . L13790
		TITLE: Kodachi Ver.V1.12
LENOVO CONFIDENTIAL		POWER MONITOR
		sheet 96 of 99 Thursday, May 31, 2007



PTH FOR SCREW HOLE



DESIGNER	<OrgAddr1>	
CHECKED	<OrgAddr2>	
APPROVED	<OrgAddr3>	
CLASS	<OrgAddr4>	
<small>THIS DOCUMENT IS THE PROPERTY OF LENOVO. ITS USE IS AUTHORIZED ONLY FOR RESPONDING TO A REQUEST FOR QUOTATION OR FOR THE PERFORMANCE OF WORK FOR LENOVO. ALL QUESTIONS MUST BE REFERRED TO THE LENOVO PURCHASING DEPARTMENT.</small>		Part No . 42X6811
		EC No . L13790
		TITLE: Kodachi Ver.V1.12
		PTH SCREW HOLES
LENOVO CONFIDENTIAL		sheet 97 of 99 Thursday, May 31, 2007




DESIGNER	<OrgAddr1>	
CHECKED	<OrgAddr2>	
APPROVED	<OrgAddr3>	Part No . 42X6811
CLASS	<OrgAddr4>	EC No . L13790
THIS DOCUMENT IS THE PROPERTY OF LENOVO. ITS USE IS AUTHORIZED ONLY FOR RESPONDING TO A REQUEST FOR QUOTATION OR FOR THE PERFORMANCE OF WORK FOR LENOVO. ALL QUESTIONS MUST BE REFERRED TO THE LENOVO PURCHASING DEPARTMENT.		TITLE: Kodachi Ver.V1.12
		ICH8-3
LENOVO CONFIDENTIAL		sheet 98 of 99 Thursday, May 31, 2007

# KODACHI EC History List

## Pre DV Phase--->

Ver.1.00 20070404 APPLIED KODACHI\_SDV\_EC 001-024  
Ver.1.01 20070409 APPLIED KODACHI\_SDV\_EC 025-038  
Ver.1.02 20070413 APPLIED KODACHI\_SDV\_EC 039-047  
Ver.1.03 20070418 APPLIED KODACHI\_SDV\_EC 048-053  
Ver.1.04 20070424 APPLIED KODACHI\_SDV\_EC 054-068  
Ver.1.05 20070426 APPLIED KODACHI\_SDV\_EC 069-082,033,059  
Ver.1.06 20070430 APPLIED KODACHI\_SDV\_EC 083-094  
Ver.1.07 20070505 APPLIED KODACHI\_SDV\_EC 095-104  
Ver.1.08 20070505 APPLIED KODACHI\_SDV\_EC 105-114  
Ver.1.09 20070514 APPLIED KODACHI\_SDV\_EC 115-125  
Ver.1.10 20070518 APPLIED KODACHI\_SDV\_EC 126-147  
Ver.1.11 20070523 APPLIED KODACHI\_SDV\_EC 148-152  
Ver.1.12 20070531 APPLIED KODACHI\_SDV\_EC 153-157

DESIGNER	J.CHEN	
CHECKED	Ogawa & OKU	
APPROVED	CHUJO	Part No . 42X6811
CLASS	CHUJO	EC No . L13790
<small>THIS DOCUMENT IS THE PROPERTY OF LENOVO. ITS USE IS AUTHORIZED ONLY FOR RESPONDING TO A REQUEST FOR QUOTATION OR FOR THE PERFORMANCE OF WORK FOR LENOVO. ALL QUESTIONS MUST BE REFERRED TO THE LENOVO PURCHASING DEPARTMENT.</small>		TITLE: Kodachi Ver.V1.12
LENOVO CONFIDENTIAL		sheet 99 of 99 Thursday, May 31, 2007