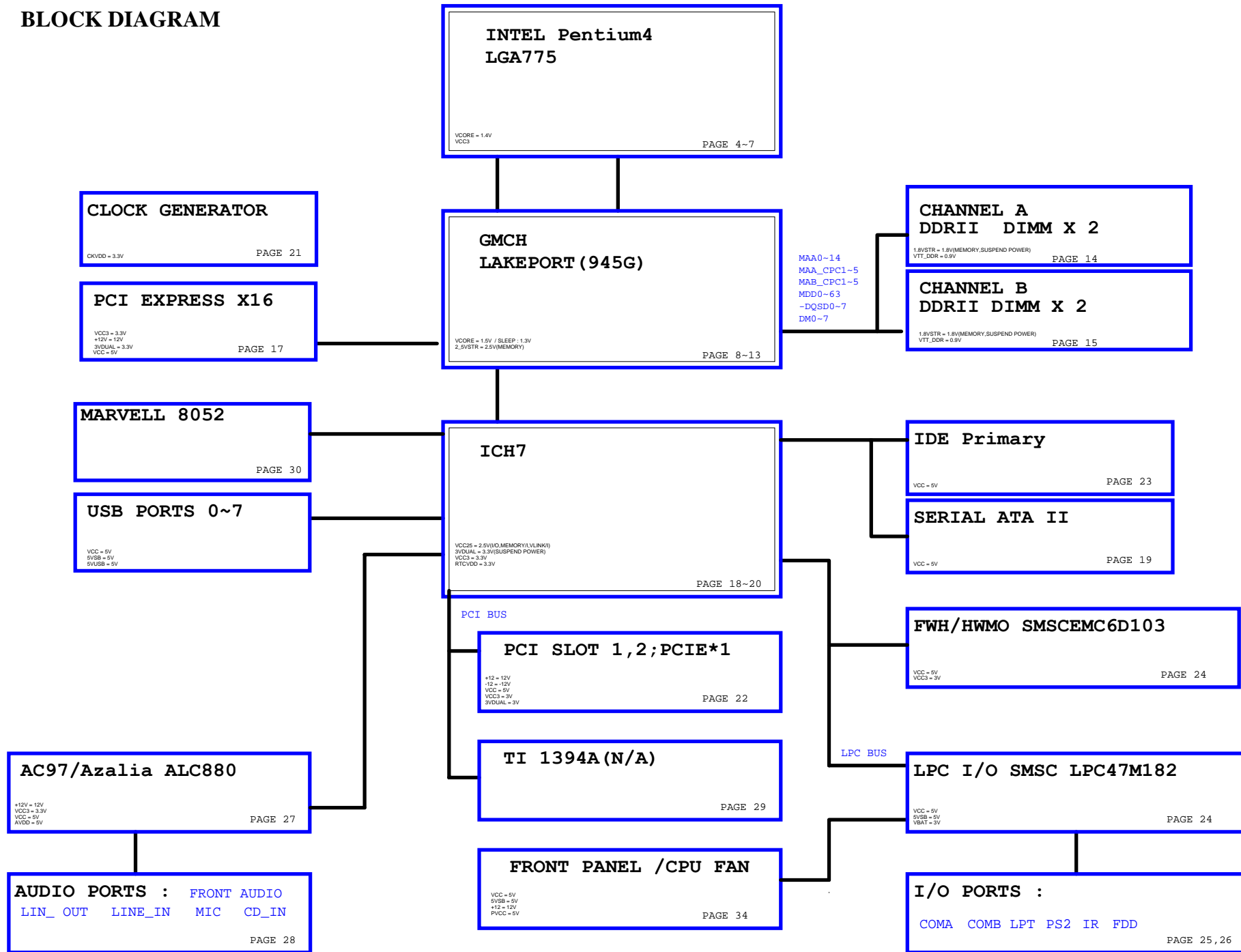


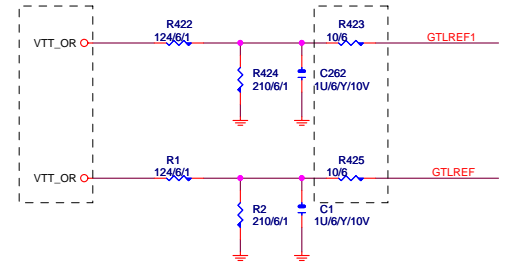
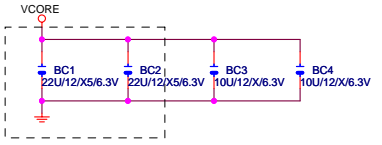
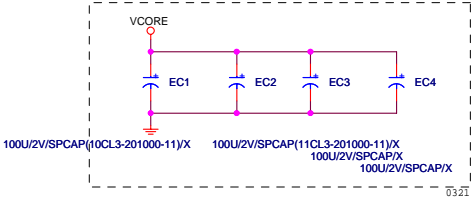
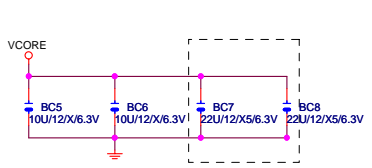
01	COVER SHEET
02	BLOCK DIAGRAM
03	BOM & PCB MODIFY HISTORY
04	P4 LGA775 A
05	P4 LGA775 B
06	P4 LGA775 C
07	P4 LGA775 D,E,F,G
08	GMCH-LAKEPORT HOST
09	GMCH-LAKEPORT DDRII
10	GMCH-LAKEPORT PCI E, DMI
11	GMCH-LAKEPORT INT VGA
12	GMCH-LAKEPORT GND
13	GMCH-LAKEPORT PWR
14	DDRII CHANNEL A 1,2
15	DDRII CHANNEL B 1,2
16	DDRII TERMINATION
17	PCI EXPRESS*16 SLOT
18	ICH7 PCI, USB, DMI, LAN
19	ICH7 IDE, GPIO, SATA, CTRL
20	ICH7 VCC, GND
21	GB/CK410M CLOCK.
22	PCI SLOT 1,2,PCIE*1
23	IDE/FLOPPY/USB
24	SMSC LPC IO
25	COM LPT
26	BIOS, CI, HWM, KB/MS
27	ALC880

28	REAR AUDIO JACK
29	TI TSB43AB23 1394
30	MARVELL 88E8052
31	VCORE PWM ISL6556
32	DISCRETE POWER
33	ATX, OTHERS POWER
34	FRONT PANEL

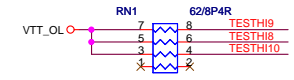
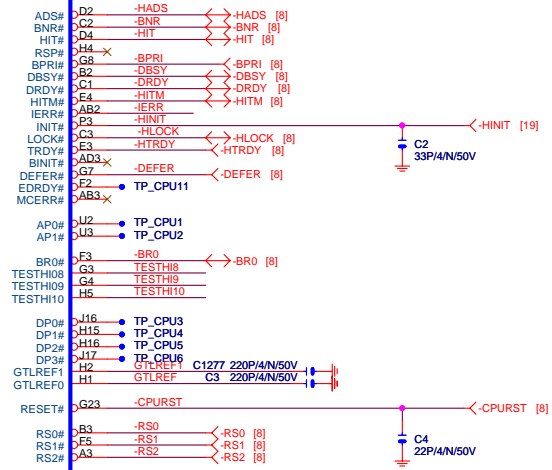
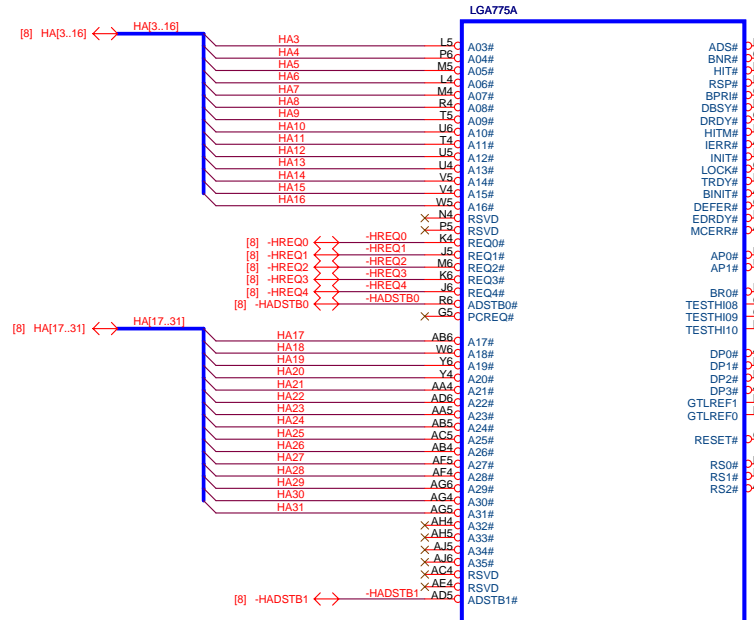


BLOCK DIAGRAM



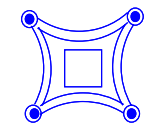


LGA775 FOOT PRINT FOR ACER:LGA775-ACER

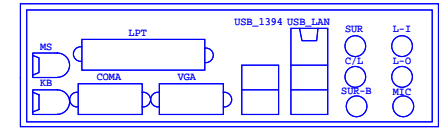


CPU-SK/775[10SC1-D03775-01_10SC1-D03775-02]

LGA775-CR
CPU_RETAINION[12KRC-040005-21]



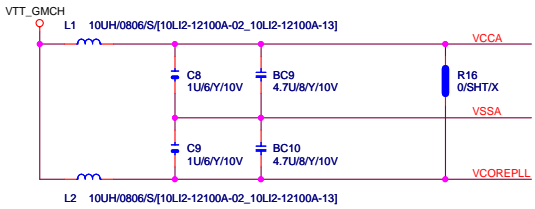
IO_SHIELD
IO_SHIELD[12AIO-AE0006-01]



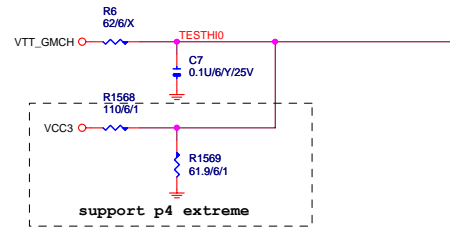
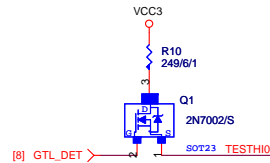
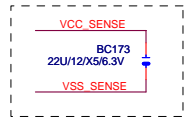
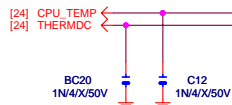
Gigabyte Technology			
Title P4_LGA775-A			
Size Custom	Document Number	81945AE-AE	
Date: Friday, June 10, 2005	Sheet	4	of 34
	Rev	1.1	



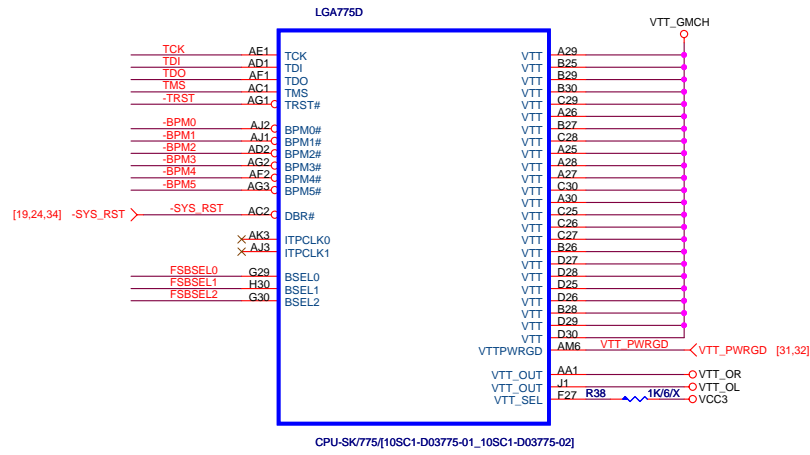
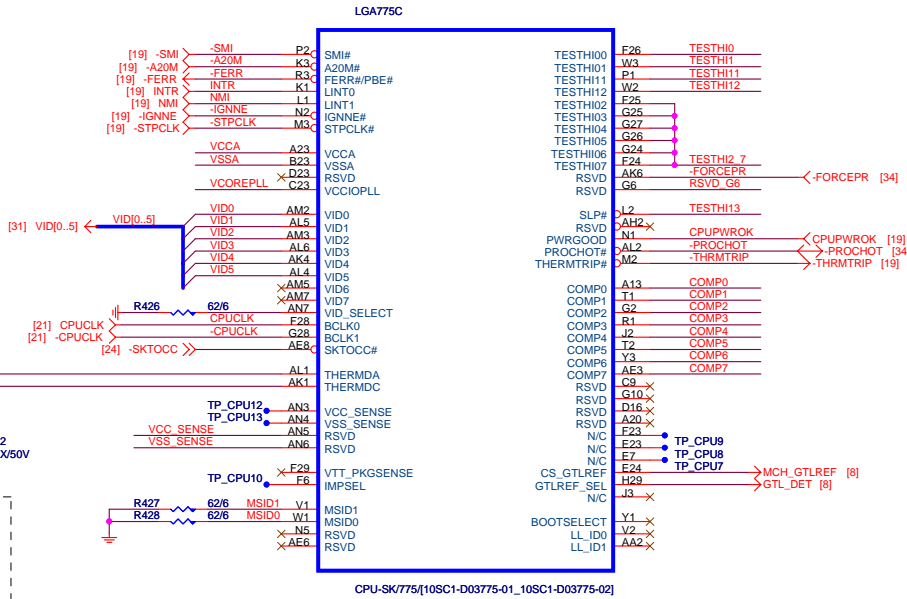
Note:
VCCA & VCOREPLL
define doesn't same as
old P4 design kit



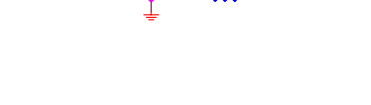
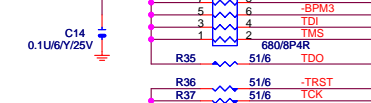
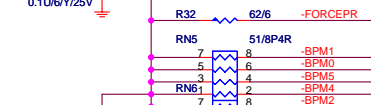
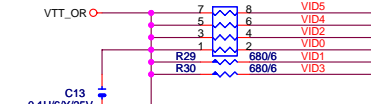
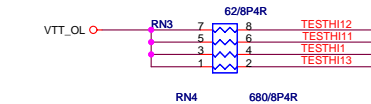
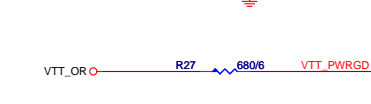
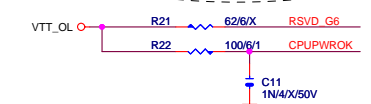
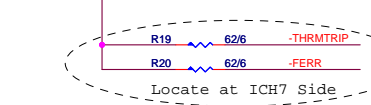
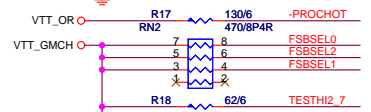
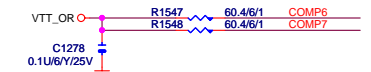
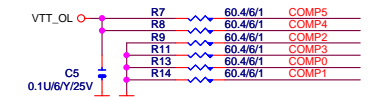
As close as possible to
CPU socket

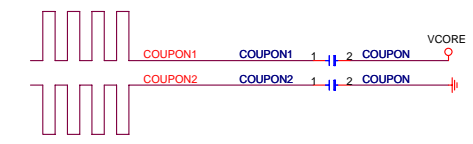
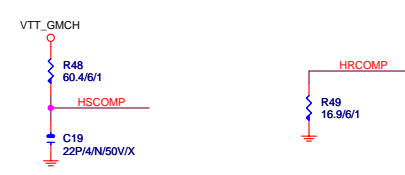
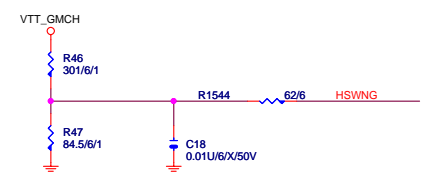
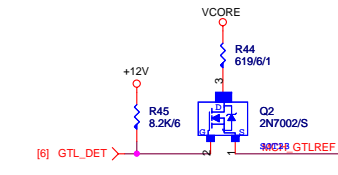
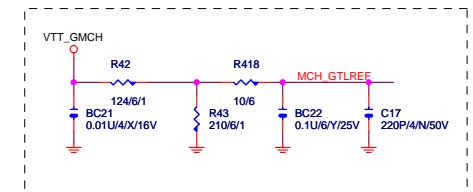
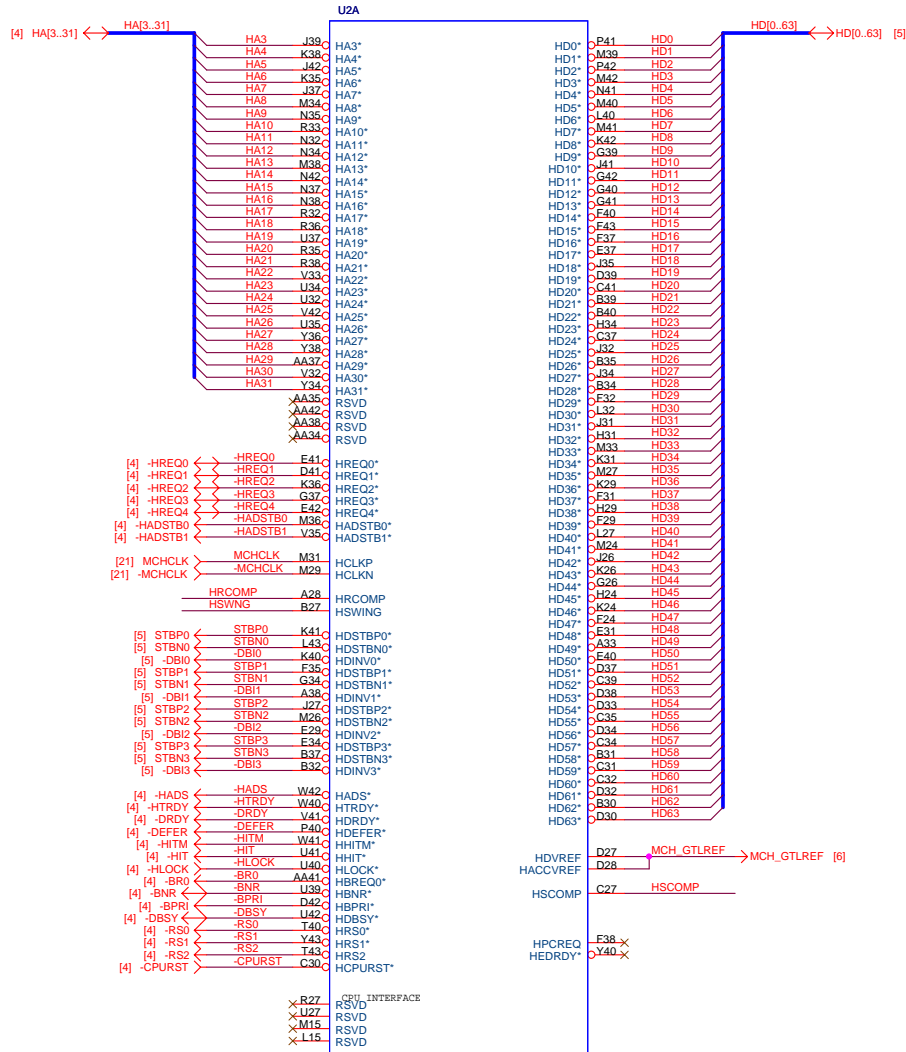


support p4 extreme



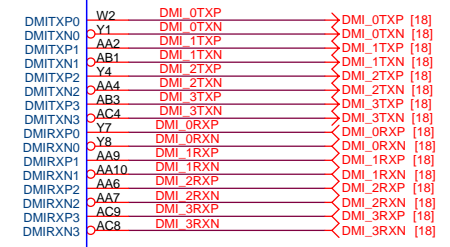
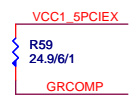
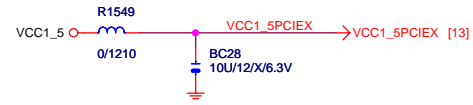
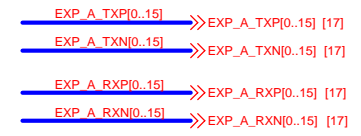
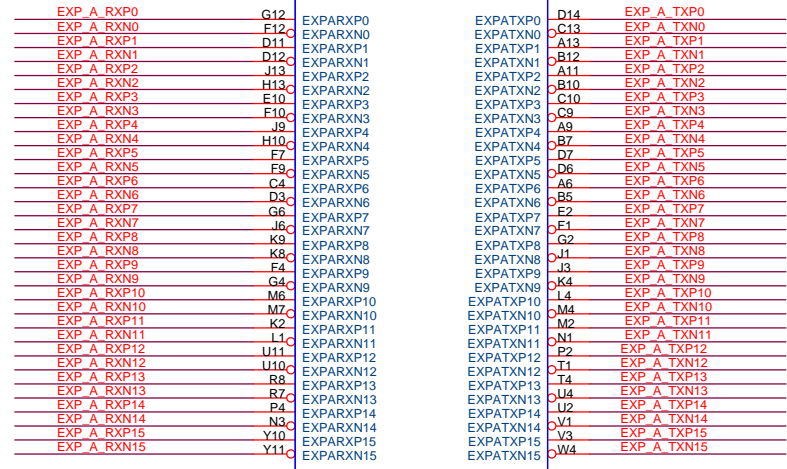
Place outside of CPU socket





Gigabyte Technology			
GMCH-HOST			
Title			
Size Custom	Document Number	81945AE-AE	
Date:	Friday, June 10, 2005	Sheet	8 of 34
			Rev 1.1

U2B



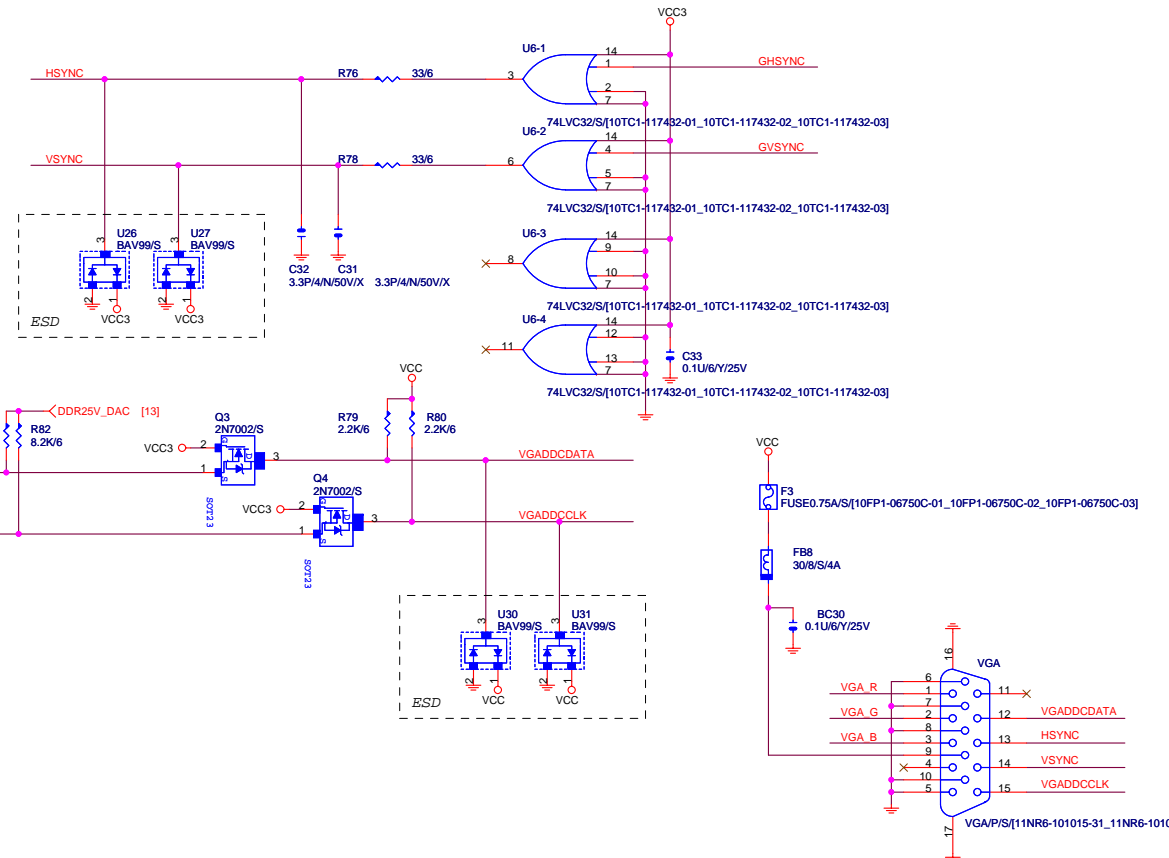
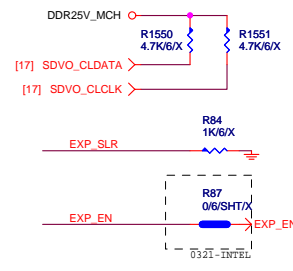
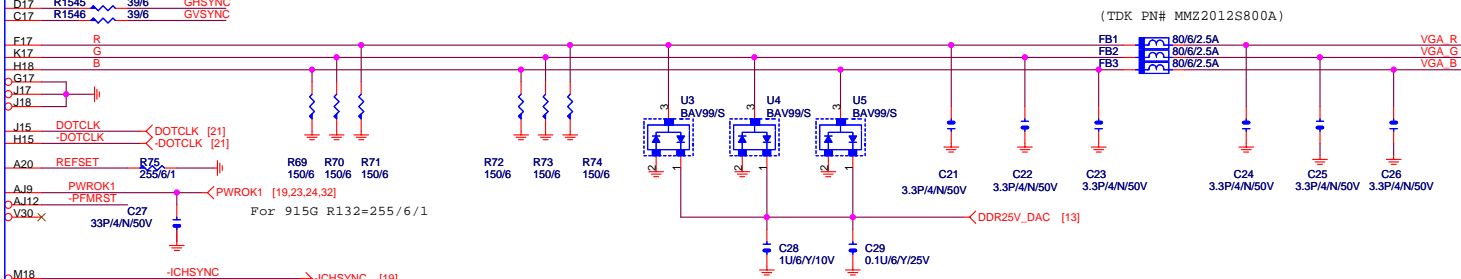
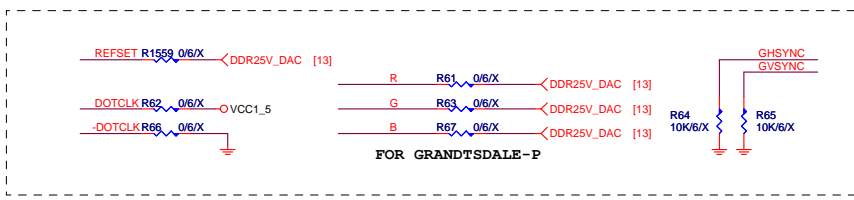
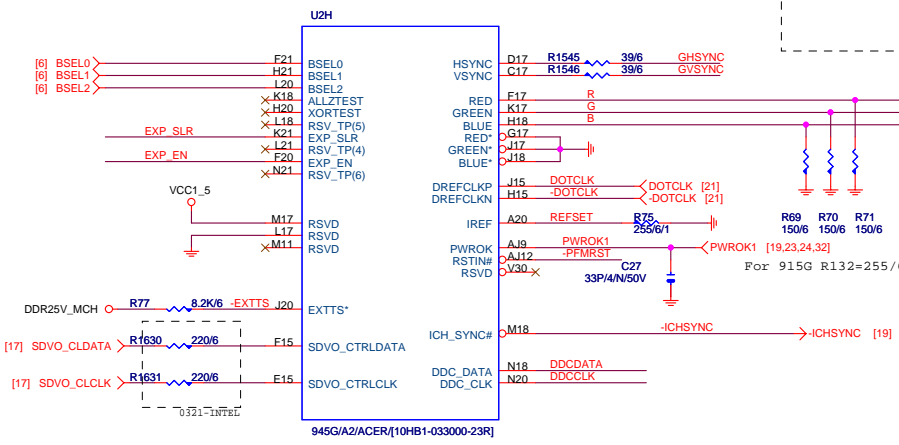
945G/A2/ACER[10HB1-033000-23R]

Gigabyte Technology

Title: **GMCH-PCI E & DMI**

Size Custom	Document Number	8I945AE-AE	Rev
			1.1

Date: Friday, June 10, 2005 Sheet 10 of 34



Gigabyte Technology			
GMCH-INTERNAL VGA			
Size Custom	Document Number	81945AE-AE	
Date:	Friday, June 10, 2005	Sheet	11 of 34
			Rev 1.1

U2C

A4	VSS	N2
A16	VSS	N6
A22	VSS	N8
A26	VSS	N13
A31	VSS	N15
A35	VSS	N24
B4	VSS	N26
B9	VSS	N27
B6	VSS	N29
B9	VSS	N31
B11	VSS	N33
B13	VSS	N36
B21	VSS	N39
B22	VSS	N43
B28	VSS	P3
B33	VSS	P14
B38	VSS	P15
C3	VSS	P24
C5	VSS	P26
C7	VSS	P27
C12	VSS	P29
C14	VSS	P30
C22	VSS	R6
C40	VSS	R9
D2	VSS	R12
D5	VSS	R14
D10	VSS	R30
D16	VSS	R31
D21	VSS	R34
D21	VSS	R37
E3	VSS	R39
E4	VSS	T2
E7	VSS	T42
E9	VSS	U3
E12	VSS	U5
E13	VSS	U9
E17	VSS	U12
E18	VSS	U14
E20	VSS	U31
E21	VSS	U33
E32	VSS	U36
F2	VSS	U38
F6	VSS	V2
F13	VSS	V8
F18	VSS	V11
F26	VSS	V12
F34	VSS	V14
F42	VSS	V34
G3	VSS	V36
G5	VSS	V37
G7	VSS	V38
G9	VSS	V39
G10	VSS	V43
G13	VSS	Y3
G15	VSS	Y2
G18	VSS	Y5
G20	VSS	Y6
G21	VSS	Y9
G24	VSS	Y12
G27	VSS	Y14
G29	VSS	Y31
G31	VSS	Y35
G32	VSS	Y37
G35	VSS	Y39
G38	VSS	Y42
H12	VSS	AA3
H17	VSS	AA6
H26	VSS	AA11
H27	VSS	AA12
H32	VSS	AA14
J2	VSS	AA21
J5	VSS	AA23
J7	VSS	AA31
J10	VSS	AA33
J12	VSS	AA36
J21	VSS	AB2
J24	VSS	AB43
J29	VSS	AC2
K58	VSS	AC3
J43	VSS	AC7
K3	VSS	AC10
K5	VSS	AC14
K6	VSS	AC21
K7	VSS	AC23
K10	VSS	AC31
K12	VSS	AC36
K13	VSS	AC37
K15	VSS	AC38
K20	VSS	AC39
K27	VSS	
K32	VSS	
K34	VSS	
K37	VSS	
K39	VSS	
L2	VSS	
L12	VSS	
L13	VSS	
L24	VSS	
L26	VSS	
L29	VSS	
L31	VSS	
L42	VSS	
M3	VSS	
M5	VSS	
M8	VSS	
M9	VSS	
M10	VSS	
M13	VSS	
M20	VSS	
M21	VSS	
M55	VSS	
M37	VSS	

945G/A2/ACER[10HB1-033000-23R]

U2E

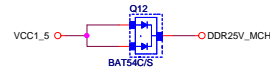
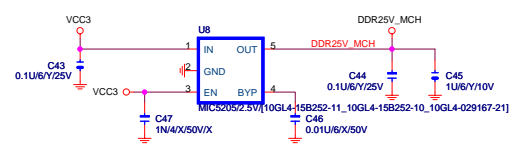
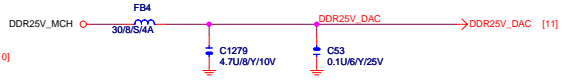
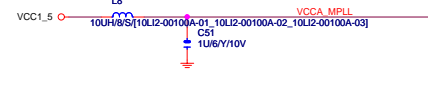
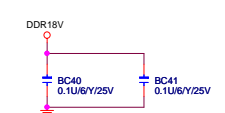
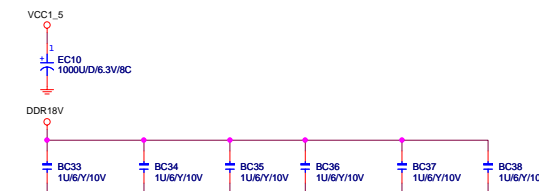
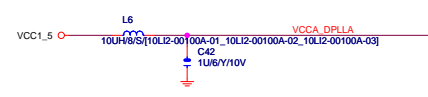
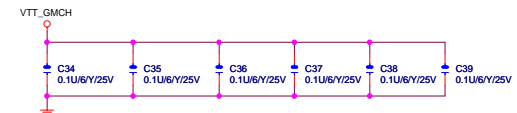
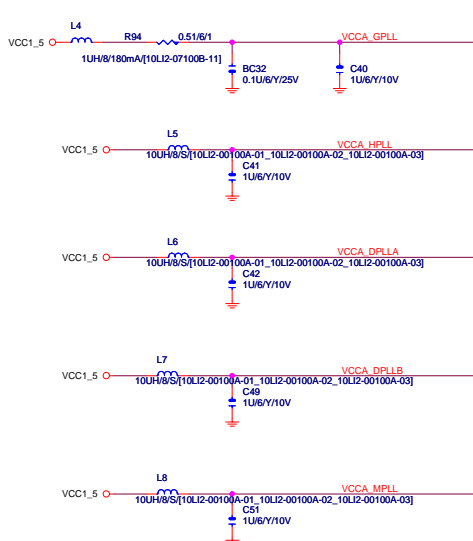
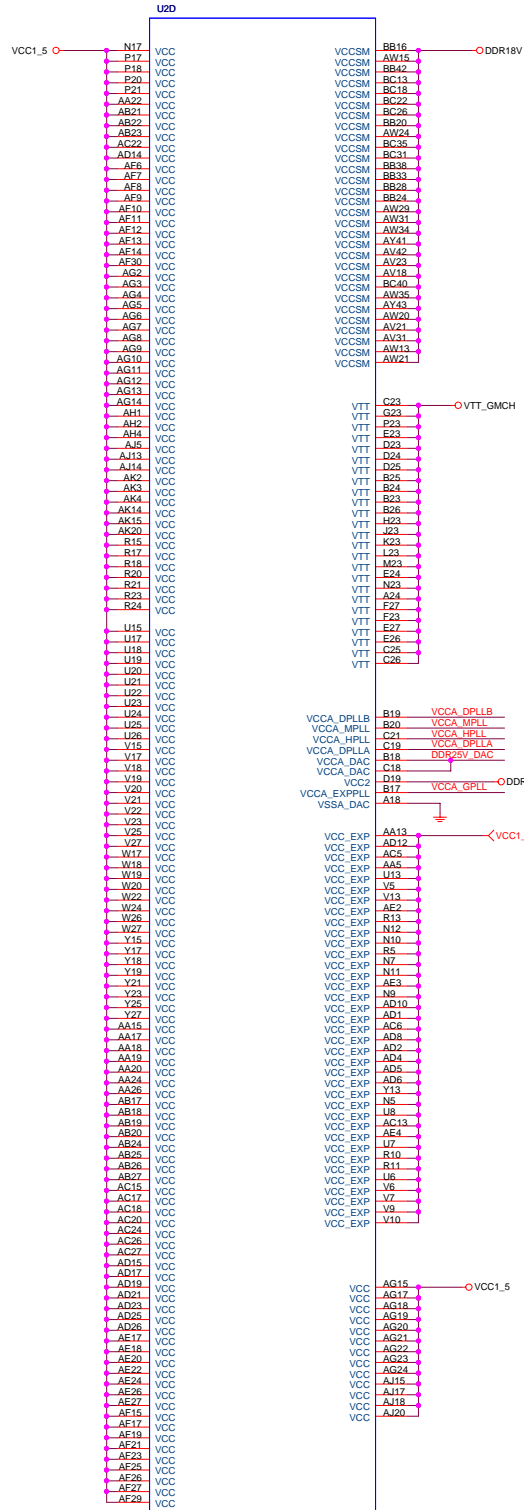
AD7	VSS	AU21
AD9	VSS	AU24
AD11	VSS	AU26
AD13	VSS	AU29
AD33	VSS	AU32
AD35	VSS	AU34
AD37	VSS	AV2
AD42	VSS	AV10
AF1	VSS	AV17
AF2	VSS	AV37
AF3	VSS	AW10
AF5	VSS	BA4
AF33	VSS	BA42
AF36	VSS	BB3
AF38	VSS	BB6
AF43	VSS	BB11
AG30	VSS	BB14
AG31	VSS	BB19
AG33	VSS	BB34
AG36	VSS	BB39
AG37	VSS	BB41
AG38	VSS	BC9
AG39	VSS	A40
AH42	VSS	D1
AJ7	VSS	D43
AJ10	VSS	R26
AJ30	VSS	R29
AJ31	VSS	U29
AJ33	VSS	V24
AJ35	VSS	V26
AJ37	VSS	V29
AK24	VSS	W21
AK26	VSS	W23
AK29	VSS	W25
AK30	VSS	Y20
AL1	VSS	Y22
AL2	VSS	Y24
AL3	VSS	Y26
AL7	VSS	Y29
AL10	VSS	AA25
AL12	VSS	AA27
AL13	VSS	AA29
AL15	VSS	AC19
AL18	VSS	AC25
AL21	VSS	AC29
AL23	VSS	
AL24	VSS	
AL27	VSS	
AL32	VSS	NC A42
AL33	VSS	NC B2
AL37	VSS	NC B3
AL43	VSS	NC B41
AM5	VSS	NC B42
AM7	VSS	NC B43
AM9	VSS	NC C2
AM33	VSS	NC C42
AM36	VSS	NC E35
AM37	VSS	NC AV26
AM39	VSS	NC AV27
AN2	VSS	NC AW2
AN4	VSS	NC AW2R
AN13	VSS	NC B42
AN15	VSS	NC BB1
AN17	VSS	NC BB2
AN18	VSS	NC BB43
AN20	VSS	NC BC1
AN21	VSS	NC BC2
AN23	VSS	NC BC42
AN24	VSS	NC BC43
AN26	VSS	
AN27	VSS	
AN31	VSS	
AN42	VSS	
AP5	VSS	
AP7	VSS	RSVD AK21
AP10	VSS	RSVD AJ23
AP12	VSS	RSVD AJ25
AP29	VSS	RSVD AL26
AP34	VSS	RSVD AL29
AP38	VSS	RSVD AL20
AR1	VSS	RSVD AJ21
AR6	VSS	RSVD AL26
AR16	VSS	RSVD AK22
AR20	VSS	RSVD AD36
AR24	VSS	RSVD AC34
AR32	VSS	RSVD Y30
AR37	VSS	RSVD Y33
AR39	VSS	RSVD AF31
AR43	VSS	RSVD AD31
AT12	VSS	RSVD U30
AT17	VSS	RSVD Y31
AT18	VSS	RSVD AA36
AT21	VSS	RSVD AC39
AT23	VSS	RSVD AA43
AT26	VSS	RSVD AC28
AT27	VSS	RSVD AG28
AT31	VSS	RSVD AG27
AU6	VSS	RSVD AJ24
AU7	VSS	RSVD AJ27
AU12	VSS	RSVD AK40
AU13	VSS	RSVD AW17
AU15	VSS	RSVD AW18
AU17	VSS	RSVD AX14
AU20	VSS	RSVD BC16
AD16	VSS	RSVD AJ25
AD20	VSS	RSVD AG29
AD22	VSS	
AD24	VSS	
AD27	VSS	
AD29	VSS	
AE19	VSS	
AE21	VSS	
AE23	VSS	
AE25	VSS	
AE18	VSS	
AF20	VSS	
AF22	VSS	
AF24	VSS	
AY1	VSS	
BC4	VSS	

945G/A2/ACER[10HB1-033000-23R]

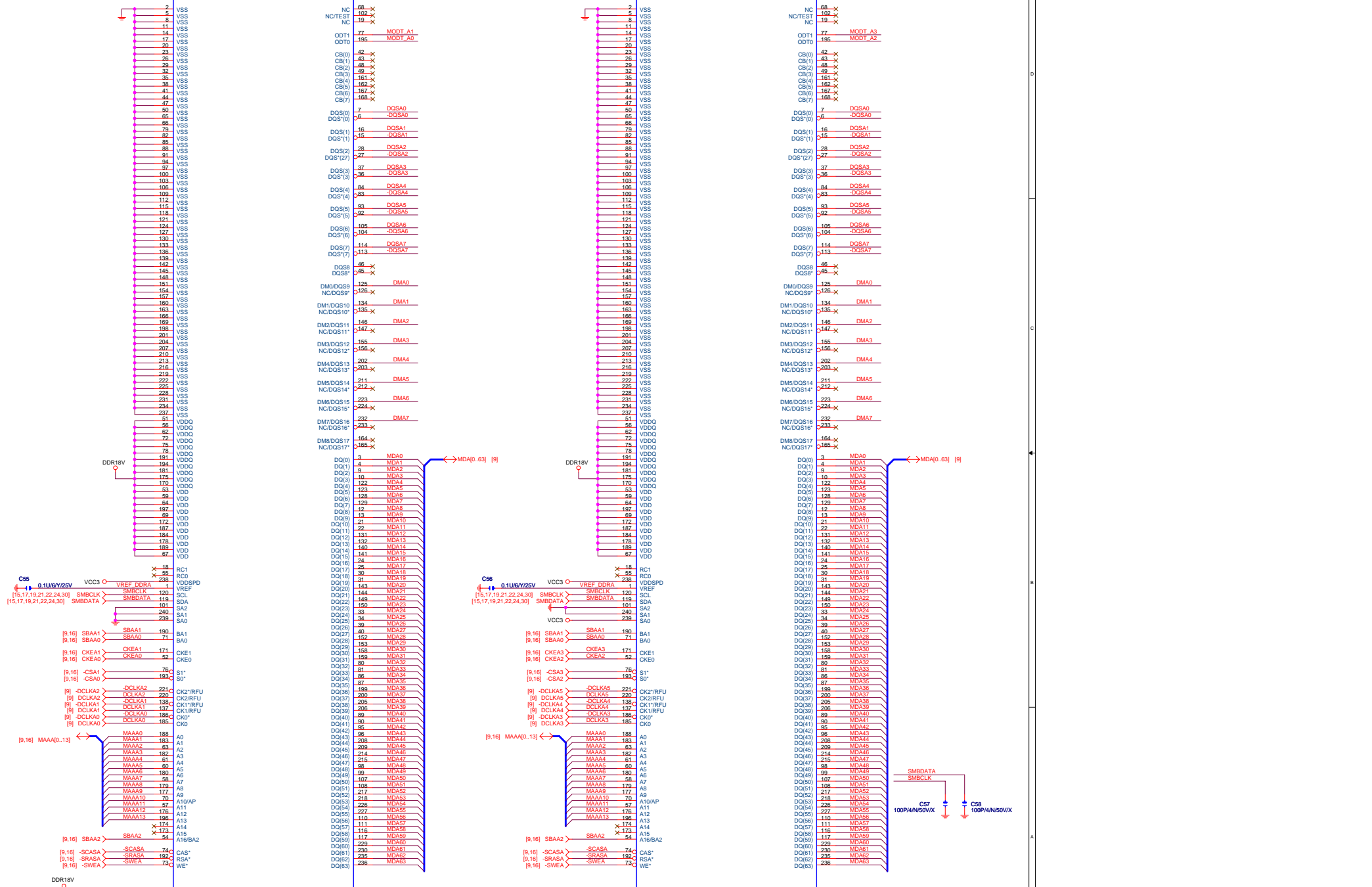
Gigabyte Technology

GMCH-GND

Size Custom	Document Number	Rev
	81945AE-AE	1.1
Date: Friday, June 10, 2005	Sheet 12 of 34	



945G/A2/ACER[10HB1-033000-23R]



C56 0.1uF/25V VCC3 VREF DDRX VDDSPD SMBCLK SMBDATA SA1 SA2 SA0

[9.16] SBA0 A0 A1 A2 A3 A4 A5 A6 A7 A8 A9 A10/A1P A11 A12 A13 A14 A15 A16/A2

[9.16] SBAA2 -SCASA -SRASA -SWEA CAS* RSA* WE*

R103 1K/1 R104 1K/1 VREF_DDRA

C56 0.1uF/25V VCC3 VREF DDRX VDDSPD SMBCLK SMBDATA SA1 SA2 SA0

[9.16] SBA0 A0 A1 A2 A3 A4 A5 A6 A7 A8 A9 A10/A1P A11 A12 A13 A14 A15 A16/A2

[9.16] SBAA2 -SCASA -SRASA -SWEA CAS* RSA* WE*

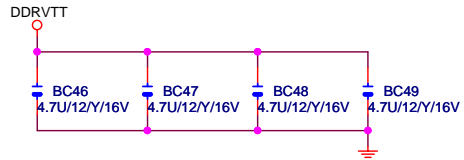
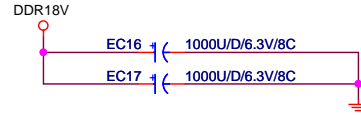
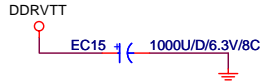
R103 1K/1 R104 1K/1 VREF_DDRA



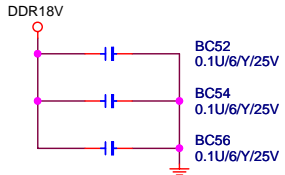
File	DDR1 CHANNEL A	
Size	Document Number	Rev
Custom	81945AE-AE	1.1
Date:	Sheet	14 of 34

DDR TERMINATION CHANNEL A

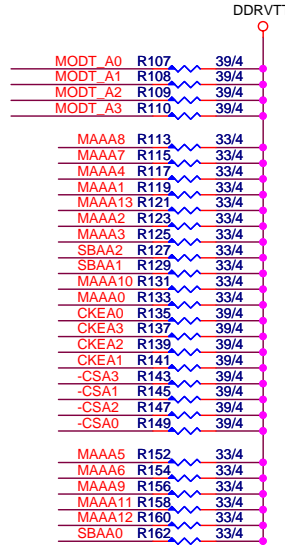
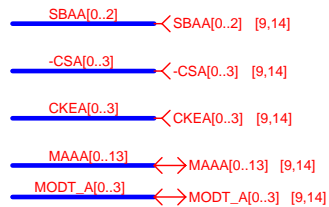
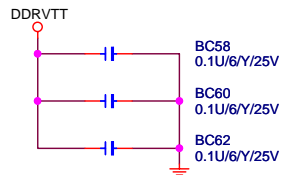
DDRVTT Decouple



DDR18V Decouple

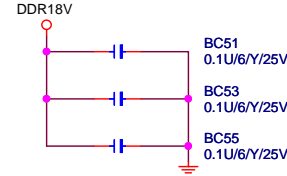


DDRVTT Decouple

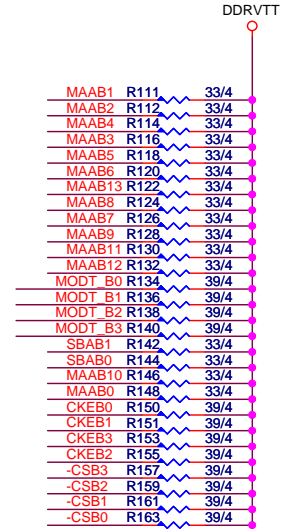
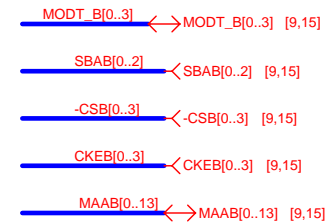
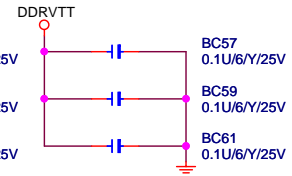


DDR TERMINATION CHANNEL B

DDR18V Decouple

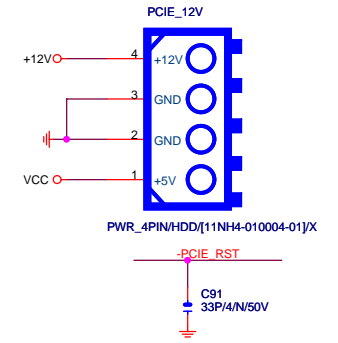
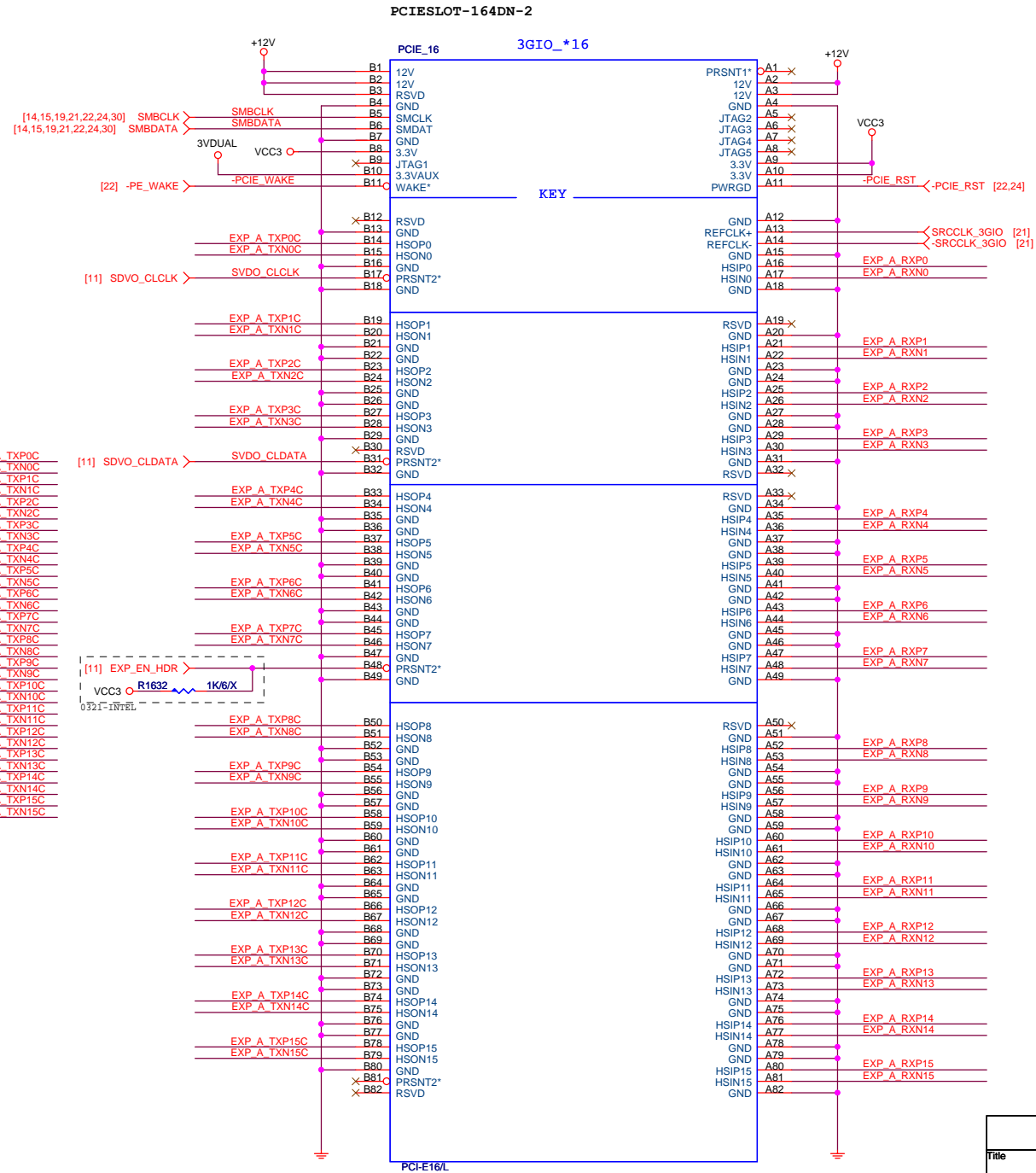
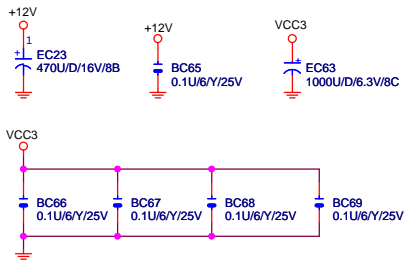


DDRVTT Decouple



Gigabyte Technology

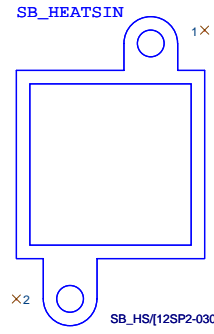
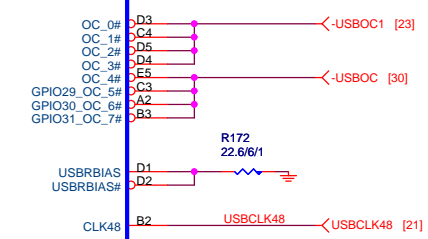
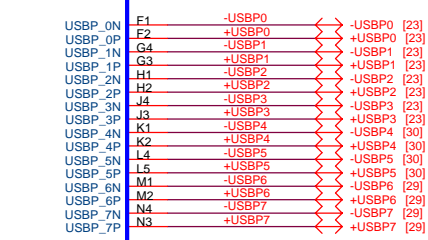
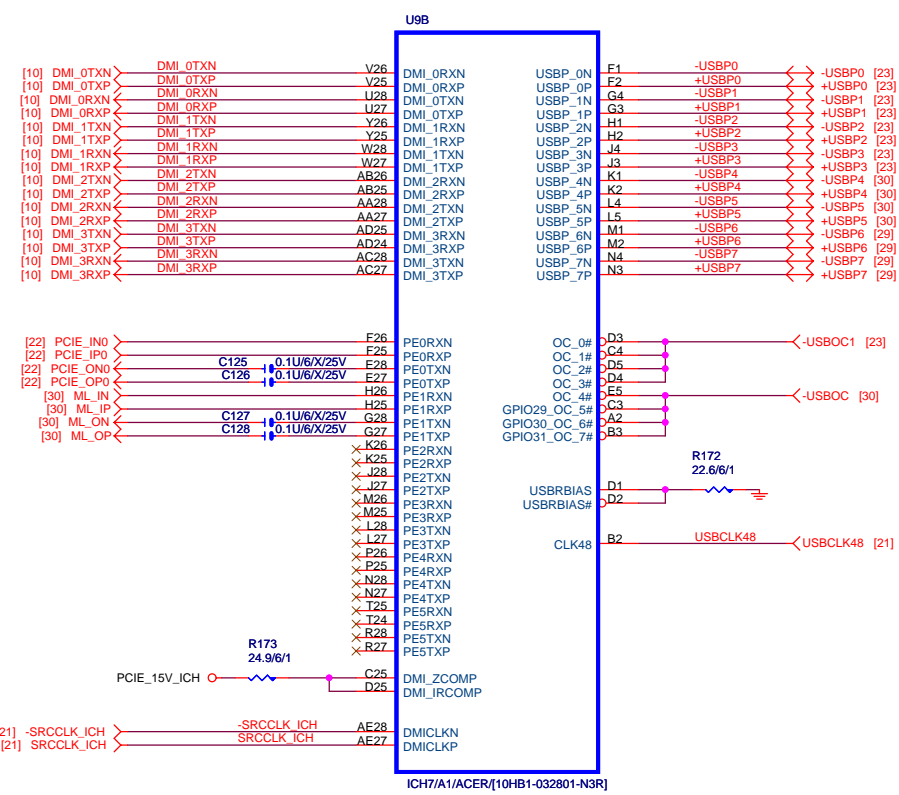
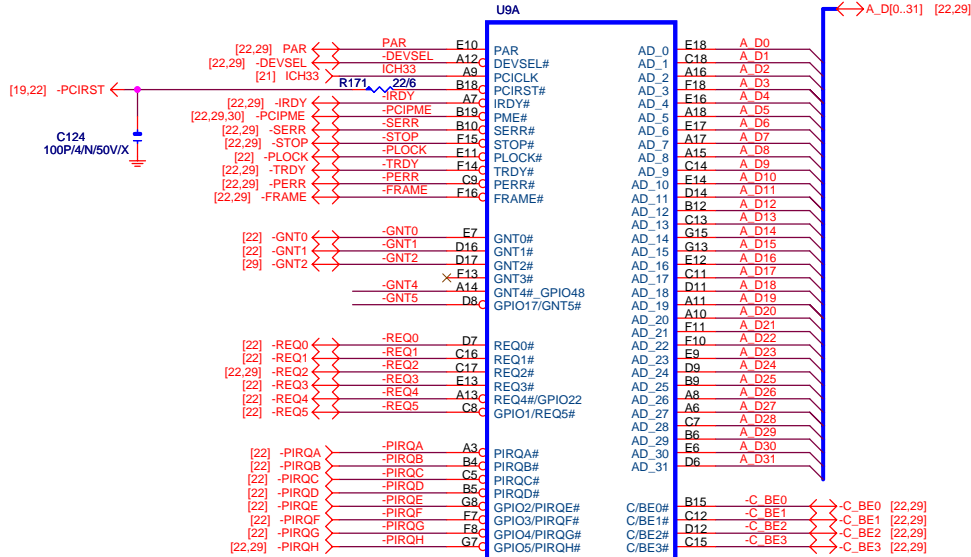
Title		DDRII TERMINATOR	
Size	Document Number	81945AE-AE	
Custom		Date:	Friday, June 10, 2005
		Sheet	16 of 34
		Rev	1.1

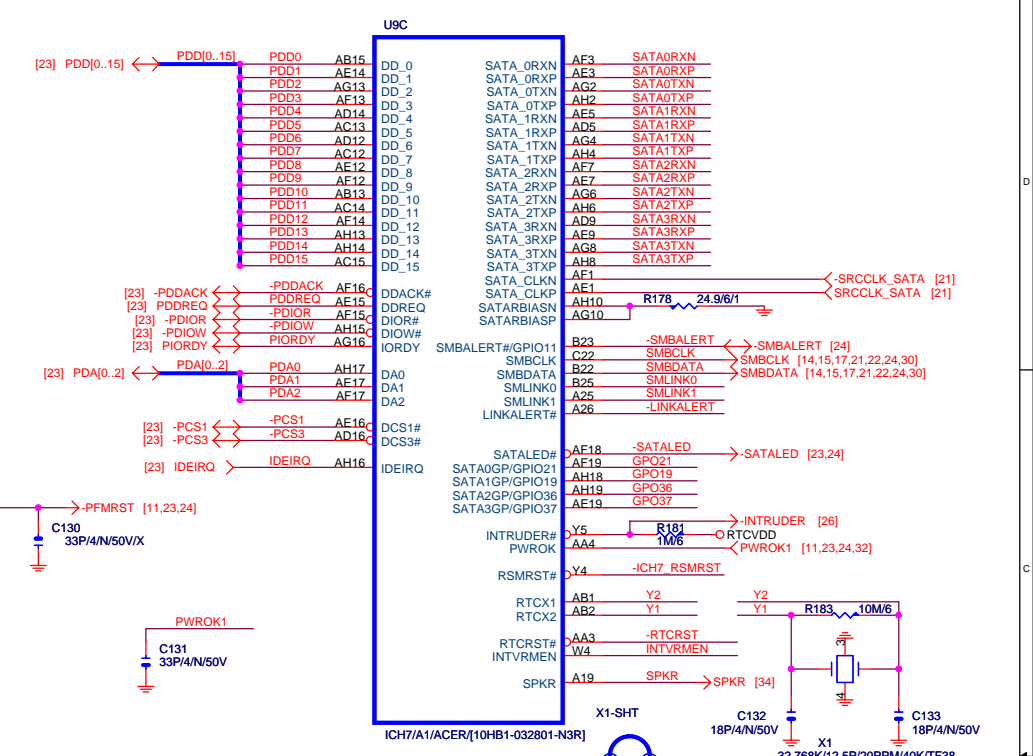
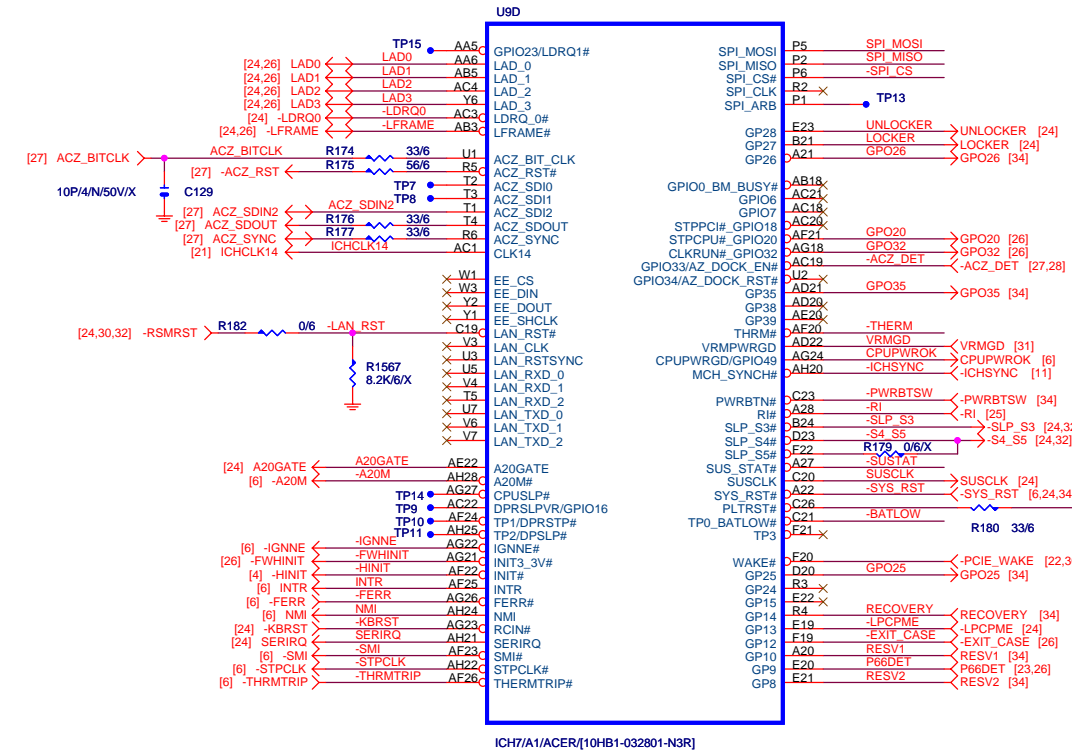


EXP_A_TXP[0..15] >>> EXP_A_TXP[0..15] [10]
 EXP_A_TXN[0..15] >>> EXP_A_TXN[0..15] [10]

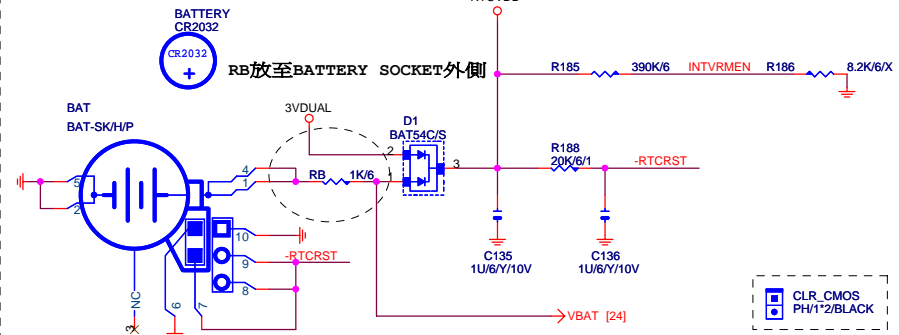
EXP_A_TXP0	C92	0.1U/6/Y/25V	EXP_A_TXP0C
EXP_A_TXN0	C93	0.1U/6/Y/25V	EXP_A_TXN0C
EXP_A_TXP1	C94	0.1U/6/Y/25V	EXP_A_TXP1C
EXP_A_TXN1	C95	0.1U/6/Y/25V	EXP_A_TXN1C
EXP_A_TXP2	C96	0.1U/6/Y/25V	EXP_A_TXP2C
EXP_A_TXN2	C97	0.1U/6/Y/25V	EXP_A_TXN2C
EXP_A_TXP3	C98	0.1U/6/Y/25V	EXP_A_TXP3C
EXP_A_TXN3	C99	0.1U/6/Y/25V	EXP_A_TXN3C
EXP_A_TXP4	C100	0.1U/6/Y/25V	EXP_A_TXP4C
EXP_A_TXN4	C101	0.1U/6/Y/25V	EXP_A_TXN4C
EXP_A_TXP5	C102	0.1U/6/Y/25V	EXP_A_TXP5C
EXP_A_TXN5	C103	0.1U/6/Y/25V	EXP_A_TXN5C
EXP_A_TXP6	C104	0.1U/6/Y/25V	EXP_A_TXP6C
EXP_A_TXN6	C105	0.1U/6/Y/25V	EXP_A_TXN6C
EXP_A_TXP7	C106	0.1U/6/Y/25V	EXP_A_TXP7C
EXP_A_TXN7	C107	0.1U/6/Y/25V	EXP_A_TXN7C
EXP_A_TXP8	C108	0.1U/6/Y/25V	EXP_A_TXP8C
EXP_A_TXN8	C109	0.1U/6/Y/25V	EXP_A_TXN8C
EXP_A_TXP9	C110	0.1U/6/Y/25V	EXP_A_TXP9C
EXP_A_TXN9	C111	0.1U/6/Y/25V	EXP_A_TXN9C
EXP_A_TXP10	C112	0.1U/6/Y/25V	EXP_A_TXP10C
EXP_A_TXN10	C113	0.1U/6/Y/25V	EXP_A_TXN10C
EXP_A_TXP11	C114	0.1U/6/Y/25V	EXP_A_TXP11C
EXP_A_TXN11	C115	0.1U/6/Y/25V	EXP_A_TXN11C
EXP_A_TXP12	C116	0.1U/6/Y/25V	EXP_A_TXP12C
EXP_A_TXN12	C117	0.1U/6/Y/25V	EXP_A_TXN12C
EXP_A_TXP13	C118	0.1U/6/Y/25V	EXP_A_TXP13C
EXP_A_TXN13	C119	0.1U/6/Y/25V	EXP_A_TXN13C
EXP_A_TXP14	C120	0.1U/6/Y/25V	EXP_A_TXP14C
EXP_A_TXN14	C121	0.1U/6/Y/25V	EXP_A_TXN14C
EXP_A_TXP15	C122	0.1U/6/Y/25V	EXP_A_TXP15C
EXP_A_TXN15	C123	0.1U/6/Y/25V	EXP_A_TXN15C

EXP_A_RXP[0..15] >>> EXP_A_RXP[0..15] [10]
 EXP_A_RXN[0..15] >>> EXP_A_RXN[0..15] [10]

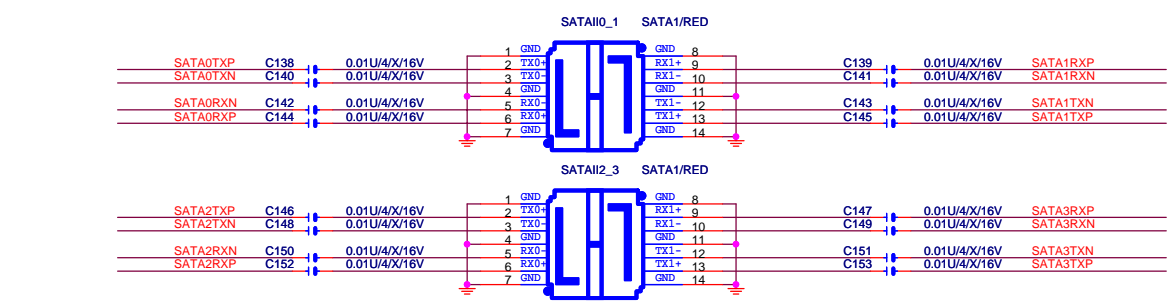
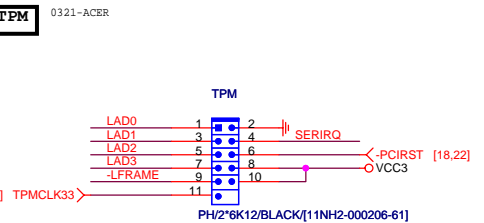
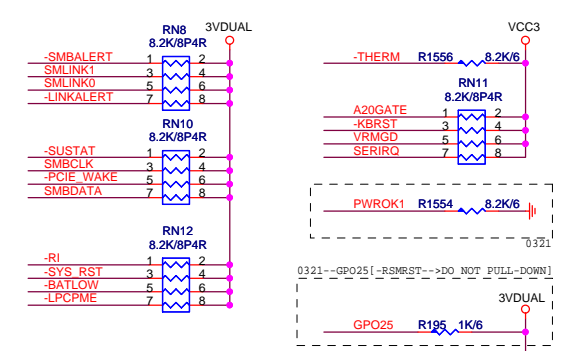




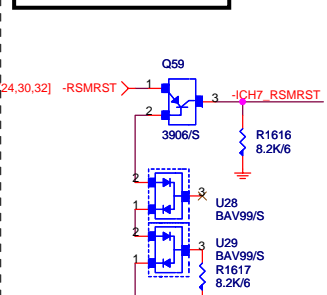
NEW TYPE : BATTERY - DUAL - 2



SHORT WIRE BRASS(0.64*5.08*6.74mm)[11NH2-010005-00]

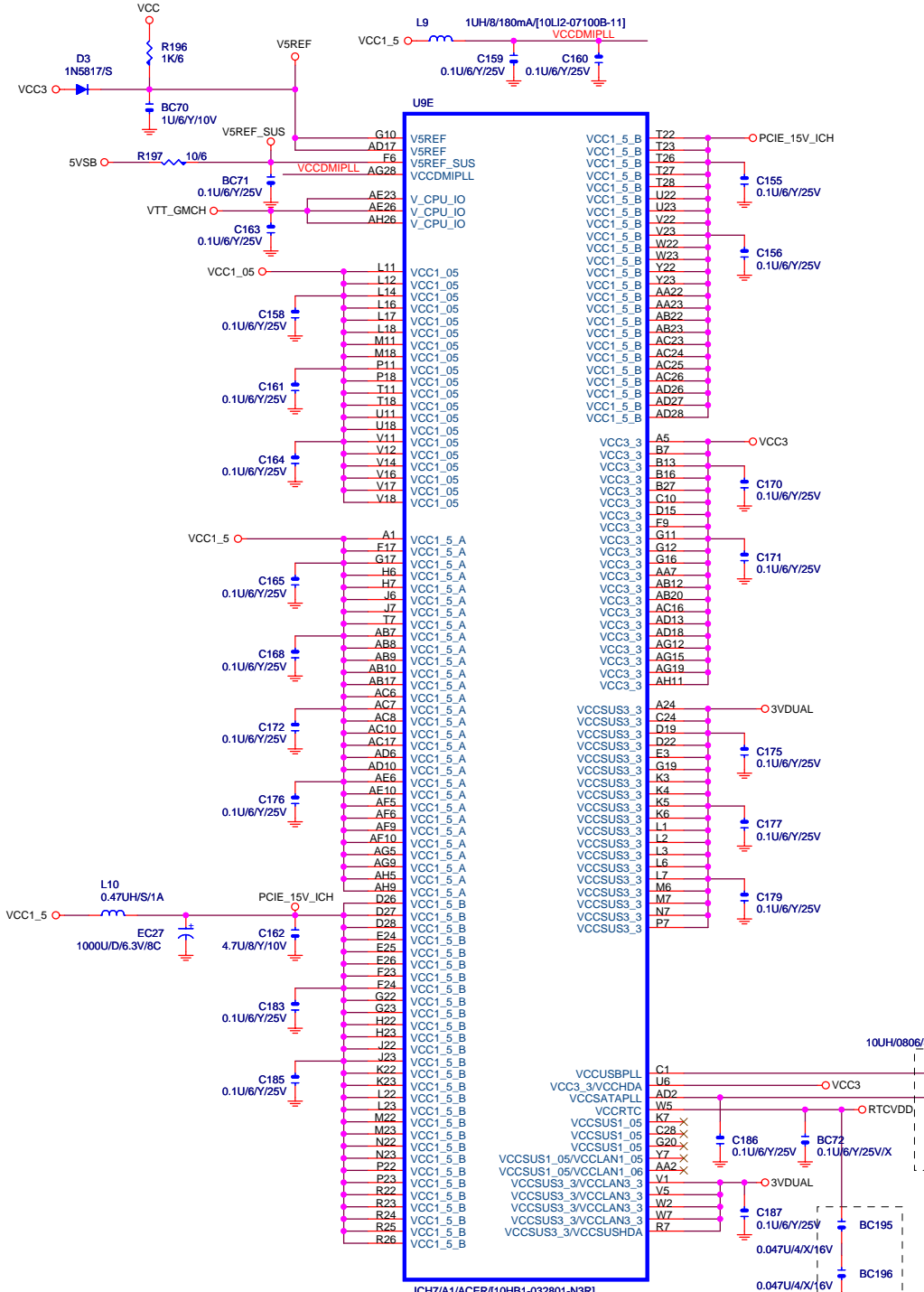


RTC POWER - WELL CTR



U9F		
A4	VSS1	VSS101
A23	VSS2	VSS102
B1	VSS3	VSS103
B8	VSS4	VSS104
B11	VSS5	VSS105
B14	VSS6	VSS106
B17	VSS7	VSS107
B20	VSS8	VSS108
B26	VSS9	VSS109
B28	VSS10	VSS110
C2	VSS11	VSS111
D6	VSS12	VSS112
D10	VSS13	VSS113
D13	VSS14	VSS114
D18	VSS15	VSS115
D21	VSS16	VSS116
D24	VSS17	VSS117
E1	VSS18	VSS118
E2	VSS19	VSS119
E8	VSS20	VSS120
E15	VSS21	VSS121
F3	VSS22	VSS122
F4	VSS23	VSS123
F5	VSS24	VSS124
F12	VSS25	VSS125
F27	VSS26	VSS126
F28	VSS27	VSS127
G1	VSS28	VSS128
G2	VSS29	VSS129
G5	VSS30	VSS130
G6	VSS31	VSS131
G9	VSS32	VSS132
G14	VSS33	VSS133
G18	VSS34	VSS134
G21	VSS35	VSS135
G24	VSS36	VSS136
G25	VSS37	VSS137
G26	VSS38	VSS138
H3	VSS39	VSS139
H4	VSS40	VSS140
H24	VSS42	VSS142
H27	VSS43	VSS143
H28	VSS44	VSS144
J1	VSS45	VSS145
J5	VSS46	VSS146
J24	VSS47	VSS147
J25	VSS48	VSS148
J25	VSS49	VSS149
J26	VSS50	VSS150
K24	VSS51	VSS151
K27	VSS52	VSS152
K28	VSS53	VSS153
L13	VSS54	VSS154
L15	VSS55	VSS155
L24	VSS56	VSS156
L25	VSS57	VSS157
L26	VSS58	VSS158
M3	VSS59	VSS159
M4	VSS60	VSS160
M5	VSS61	VSS161
M12	VSS62	VSS162
M13	VSS63	VSS163
M14	VSS64	VSS164
M15	VSS65	VSS165
M16	VSS66	VSS166
M17	VSS67	VSS167
M24	VSS68	VSS168
M27	VSS69	VSS169
M28	VSS70	VSS170
N1	VSS71	VSS171
N2	VSS72	VSS172
N6	VSS73	VSS173
N11	VSS74	VSS174
N12	VSS75	VSS175
N13	VSS76	VSS176
N13	VSS77	VSS177
N14	VSS78	VSS178
N15	VSS79	VSS179
N16	VSS80	VSS180
N17	VSS81	VSS181
N18	VSS82	VSS182
N24	VSS83	VSS183
N25	VSS84	VSS184
N26	VSS85	VSS185
P3	VSS86	VSS186
P4	VSS87	VSS187
P12	VSS88	VSS188
P13	VSS89	VSS189
P14	VSS90	VSS190
P15	VSS91	VSS191
P16	VSS92	VSS192
P17	VSS93	VSS193
P24	VSS94	VSS194
P27	VSS95	
P28	VSS96	
R1	VSS97	
R11	VSS98	
R12	VSS99	
R13	VSS100	

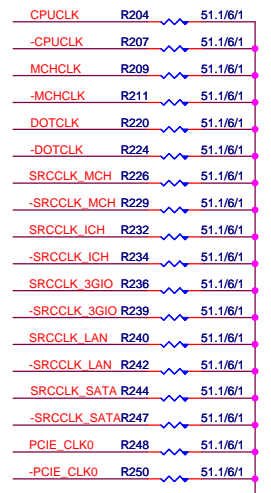
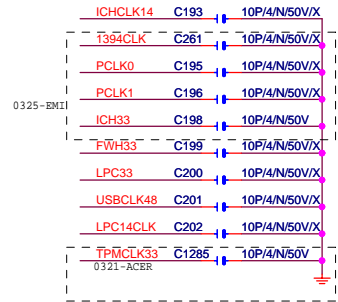
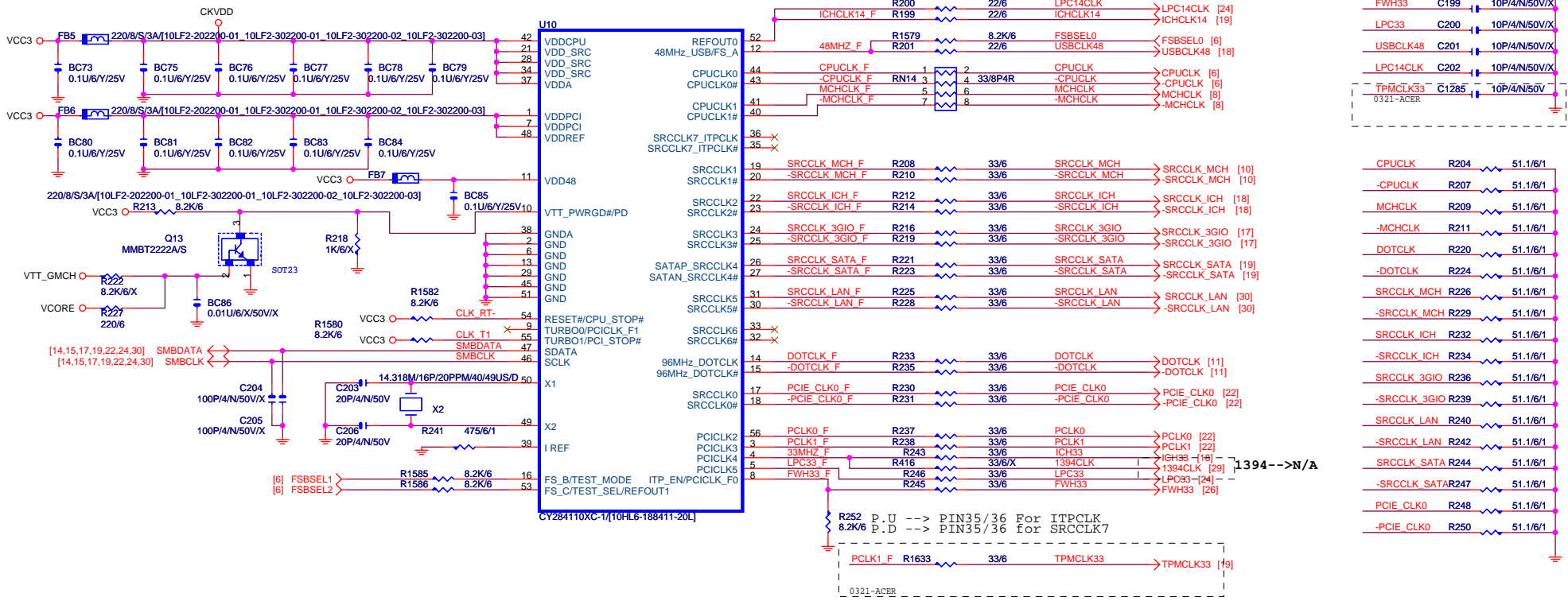
ICH7/A1/ACER[10HB1-032801-N3R]



ICH7/A1/ACER[10HB1-032801-N3R]

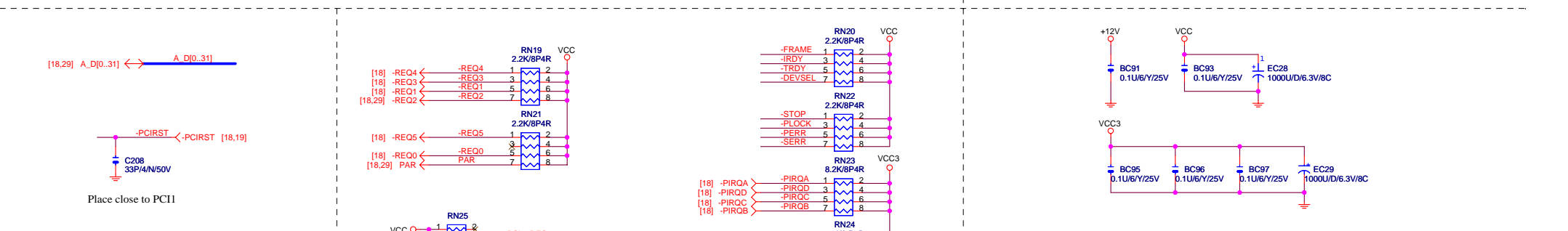
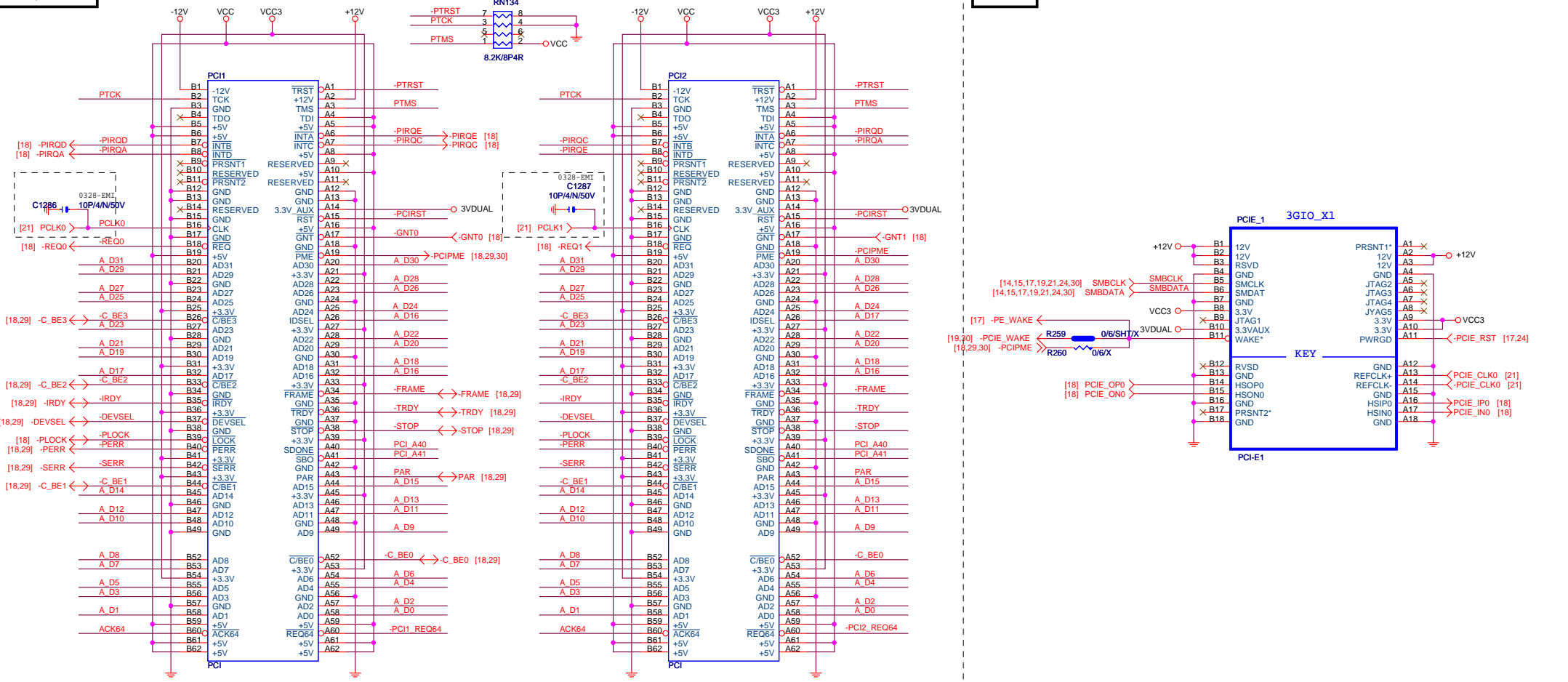
Gigabyte Technology

Title		
ICH6-PWR & GND		
Size	Document Number	81945AE-AE
B		Rev 1.1
Date:	Friday, June 10, 2005	Sheet 20 of 34



PCI1, 2 SLOT

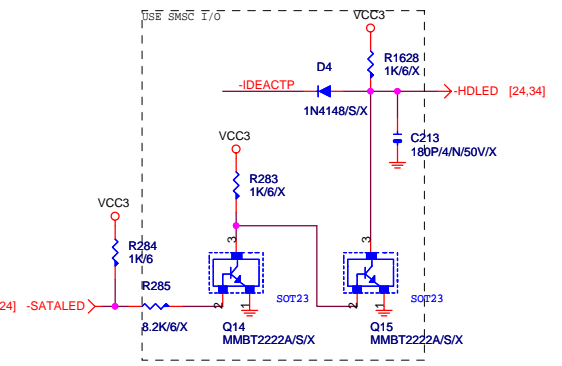
PCIEX*1



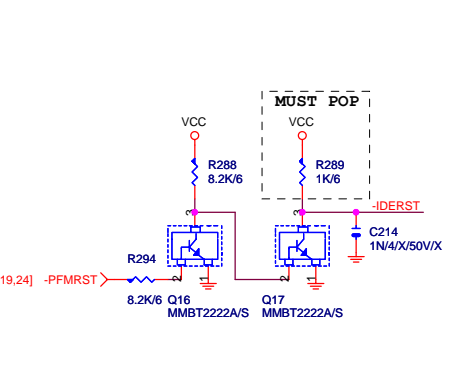
Gigabyte Technology

PCI SLOT 1, 2/PCIEX1		
81945AE-AE		
Title	Document Number	Rev
	81945AE-AE	1.1
Date:	Friday, June 10, 2005	Sheet
	22	of 34

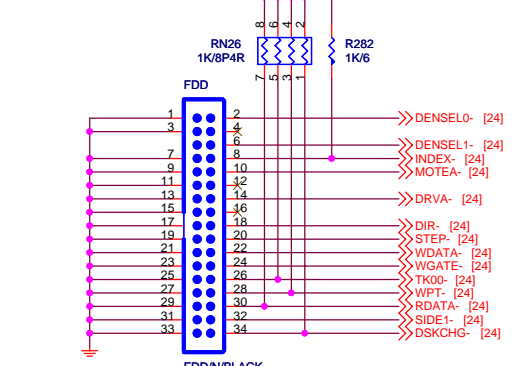
IDE/SATA LED 0321



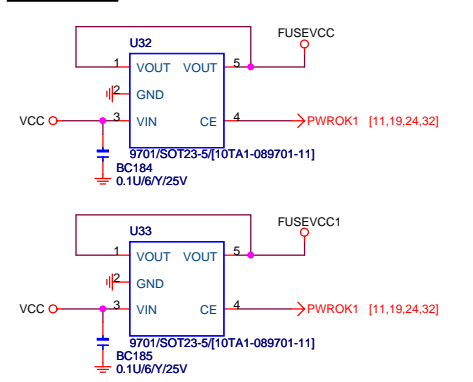
IDE RESET



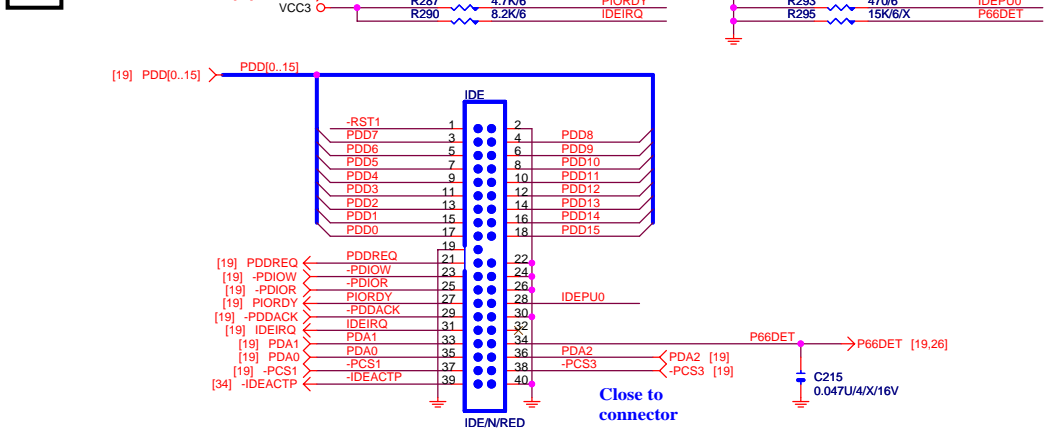
FLOPPY SMC IO



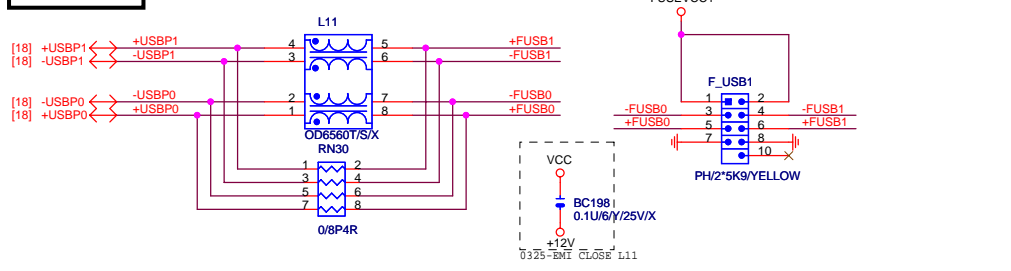
USB DROP



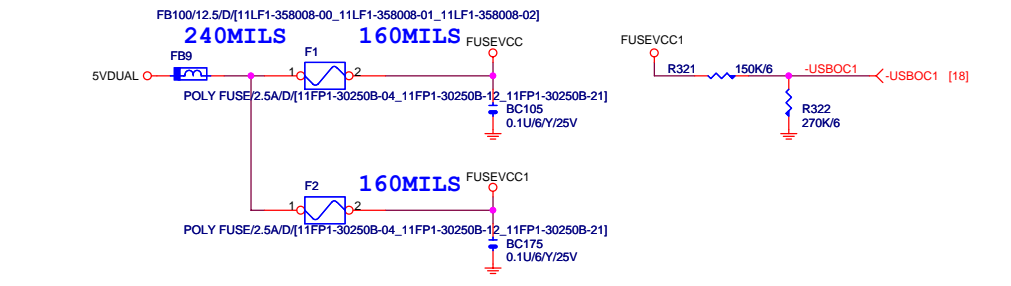
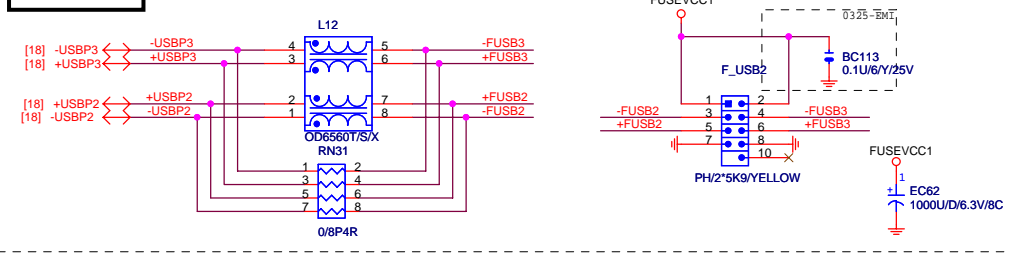
IDE

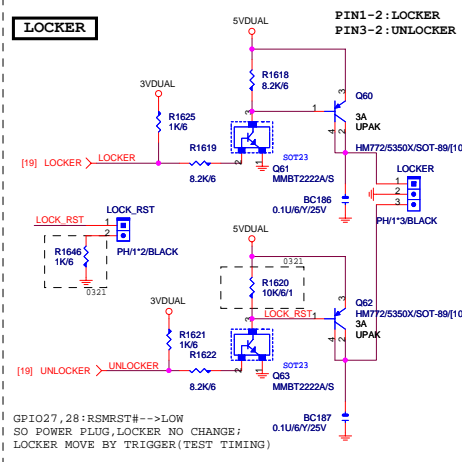
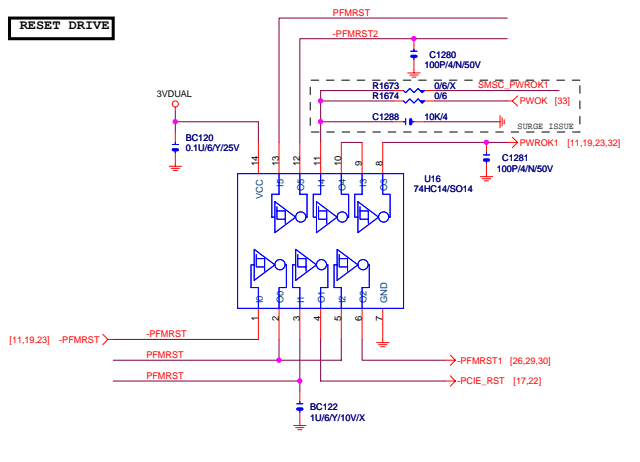
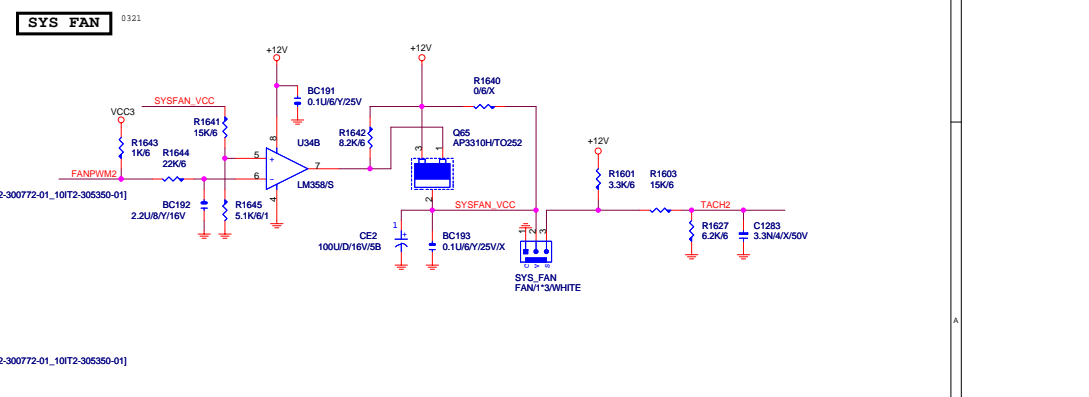
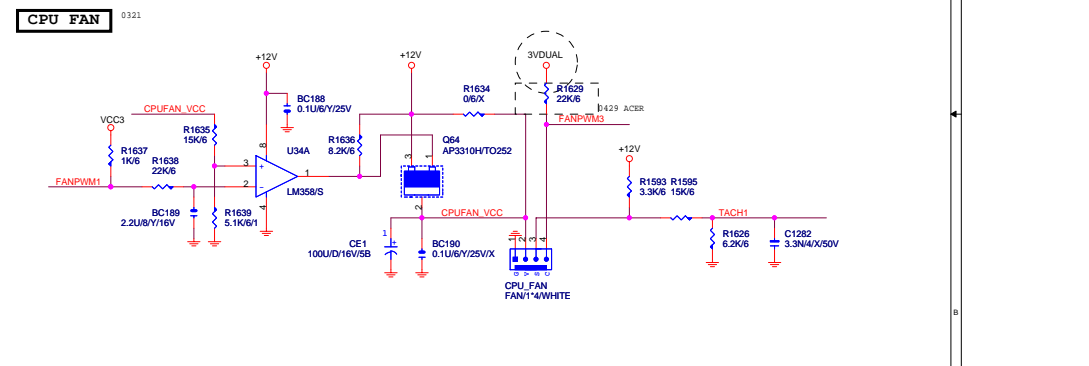
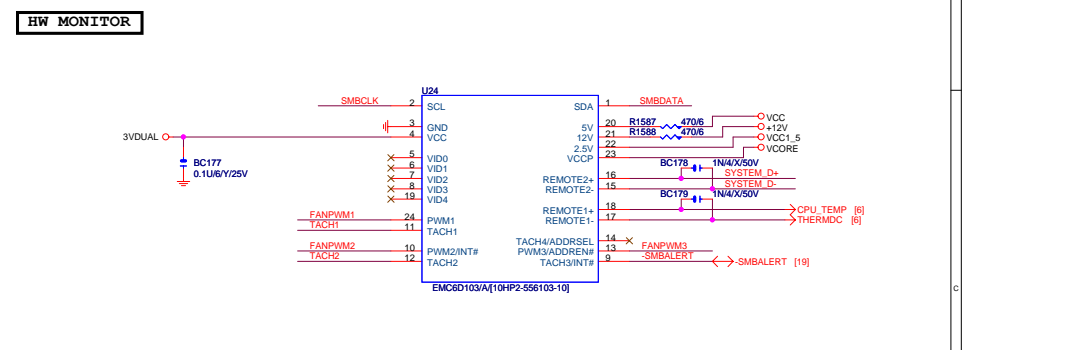
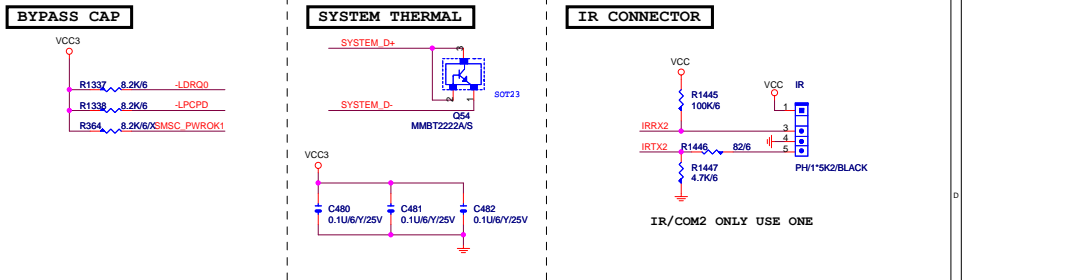
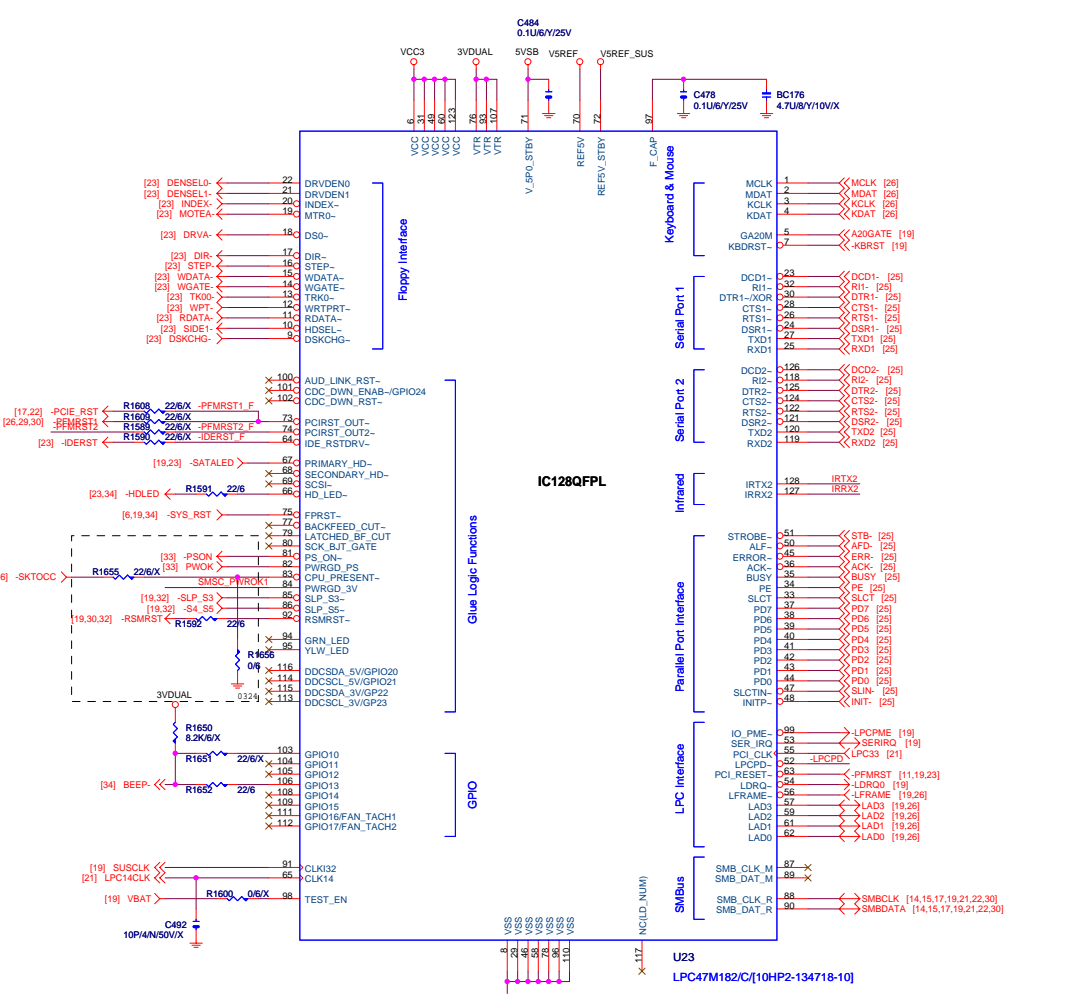


FRONT USB1

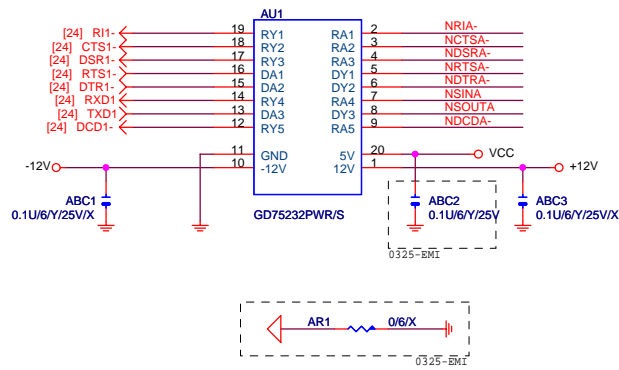


FRONT USB2

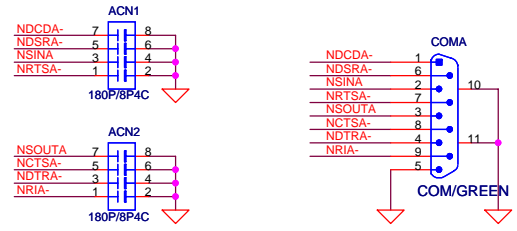




COMA

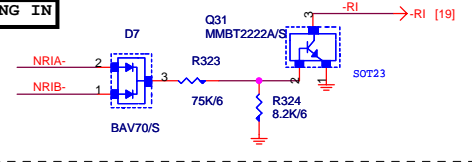


EXTERNAL COMA

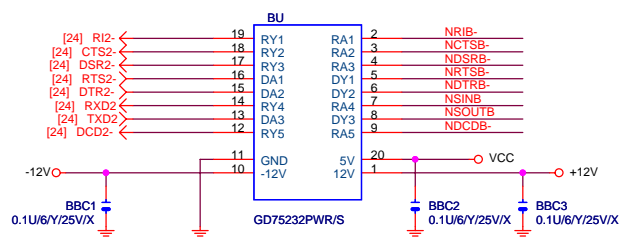


PLACE NEAR COM CONNECTOR

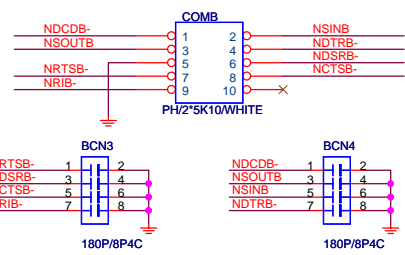
RING IN



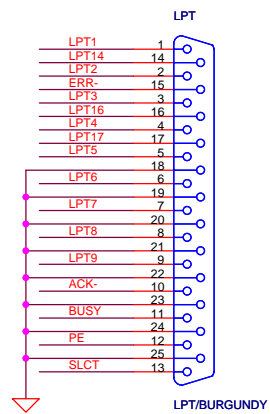
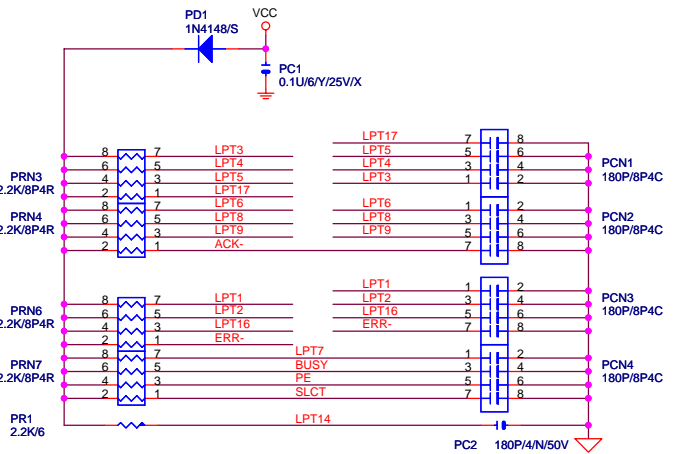
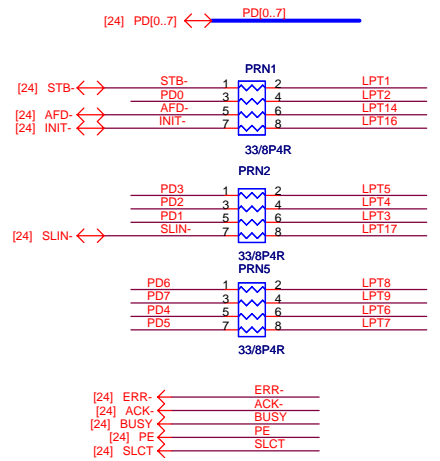
COMB



INTERNAL COMB

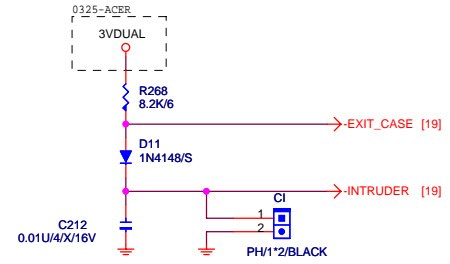


LPT PORT

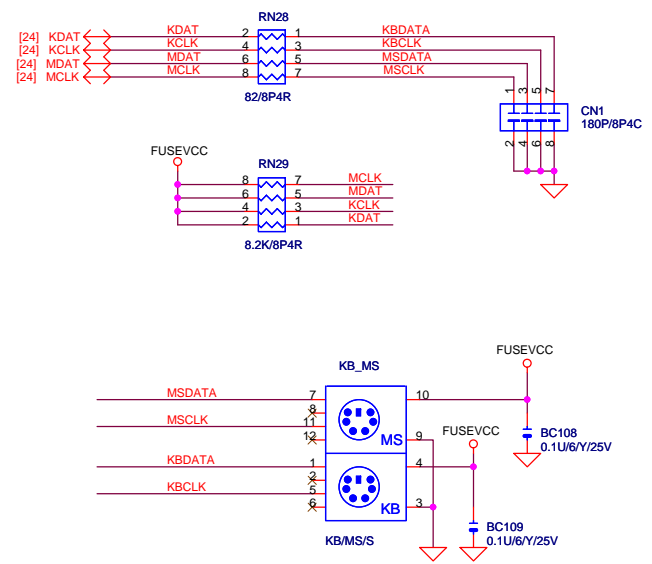


CASE OPEN

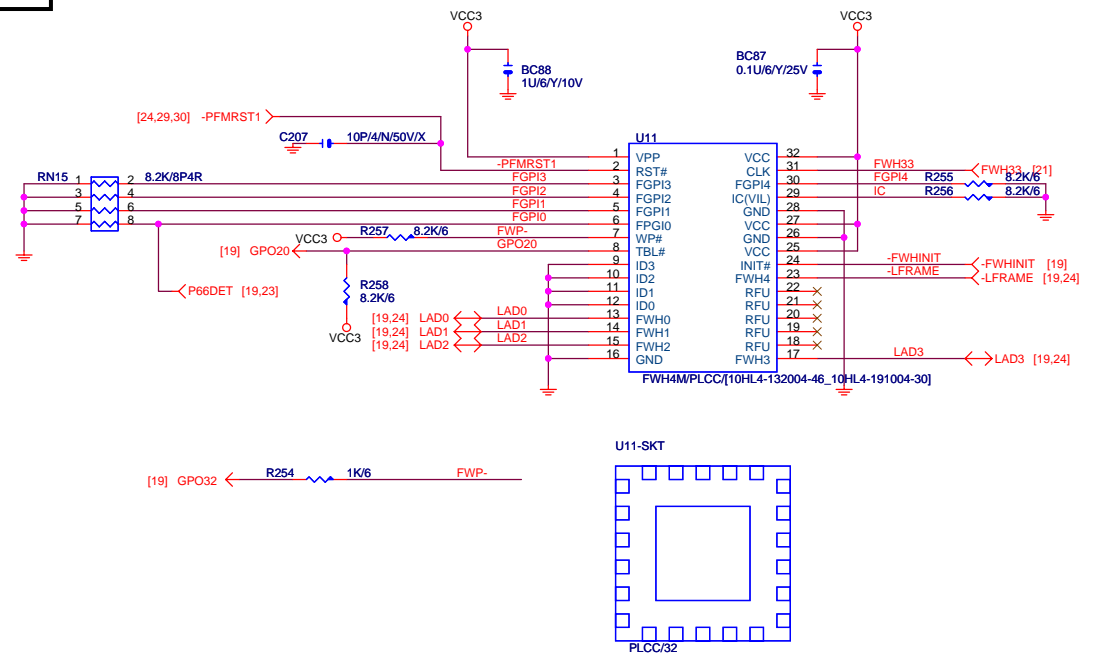
CASE OPEN=LOW;
CASE CLOSE=HI;

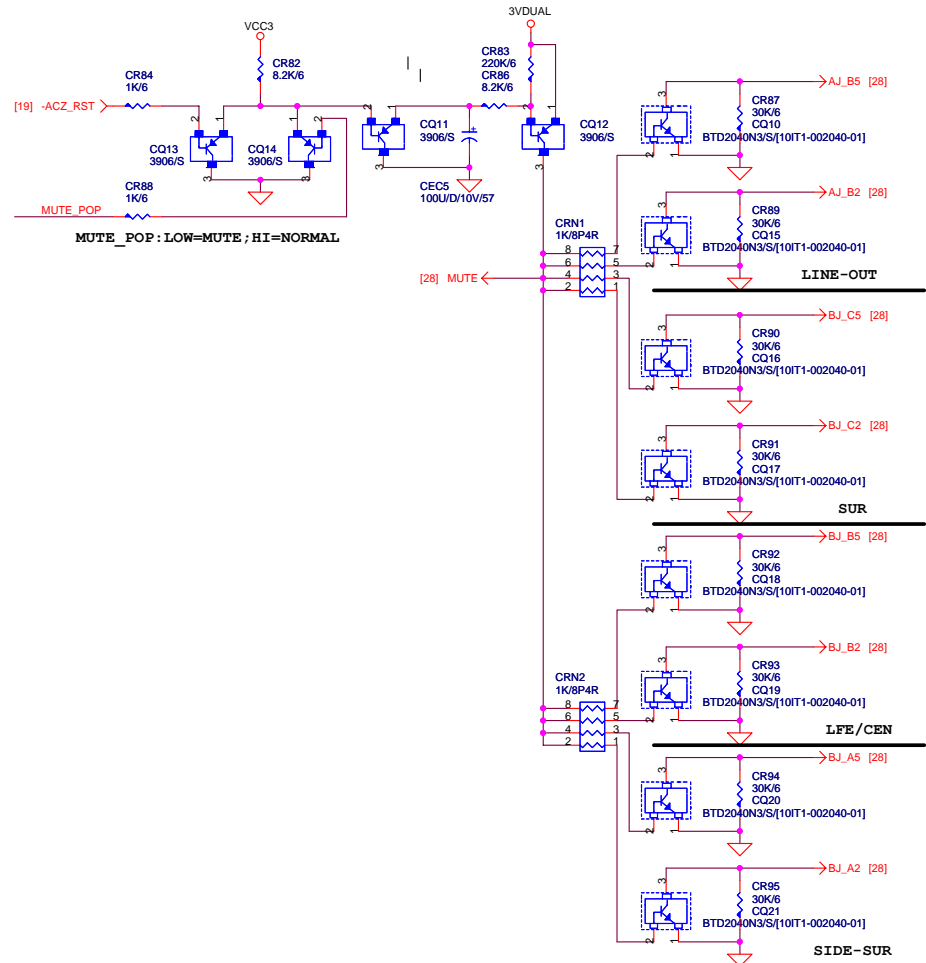
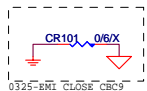
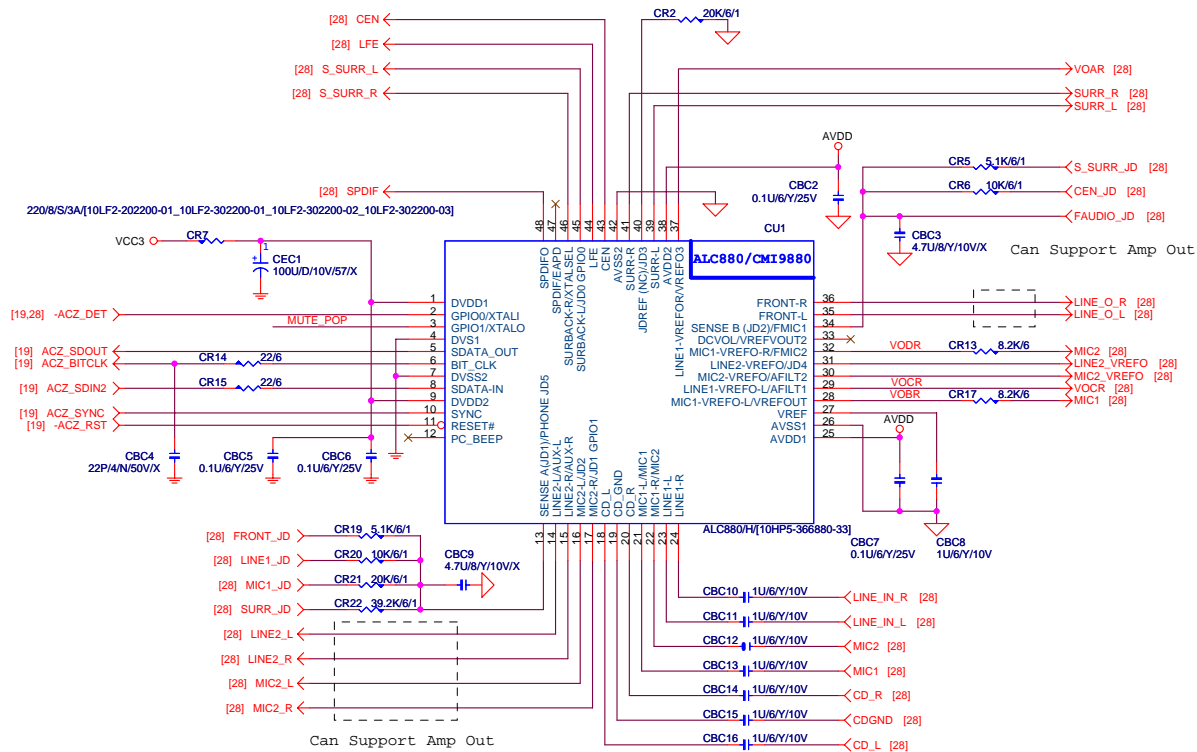


KB/MS



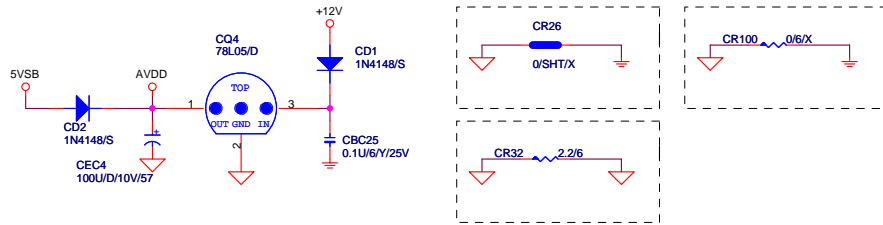
FWM BIOS



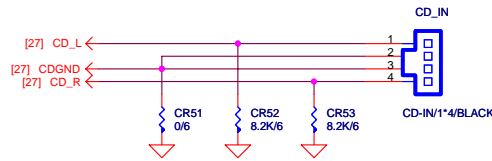


Title			AC97 ALC658		
Size			81945AE-AE		
Custom	Document Number				Rev 1.1
Date:	Friday, June 10, 2005	Sheet	27	of	34

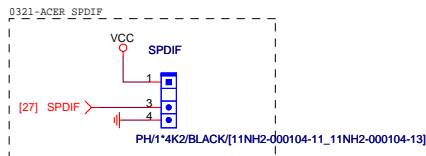
CODEC POWER/EMI PAD



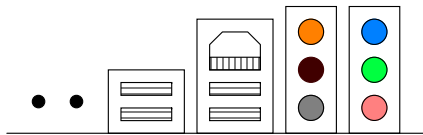
CD IN



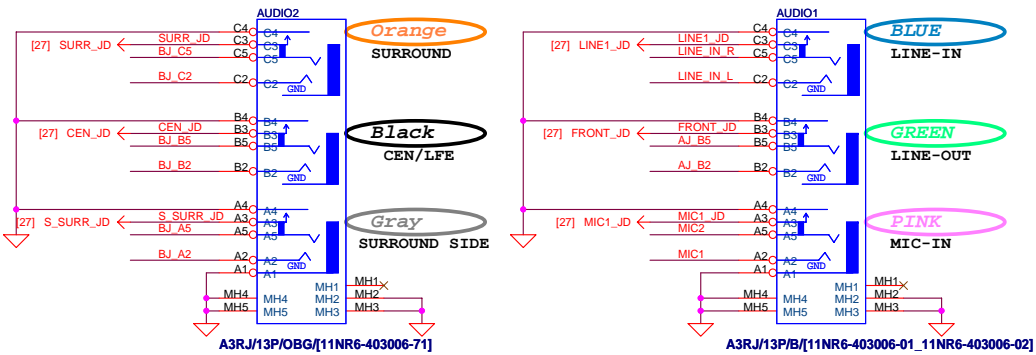
SPDIF



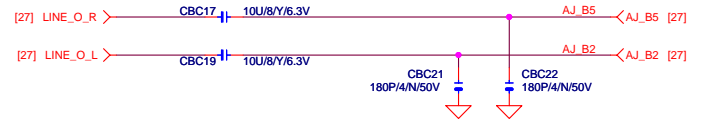
AZALIA JACK ACER REQUEST CHANGE LOCATION



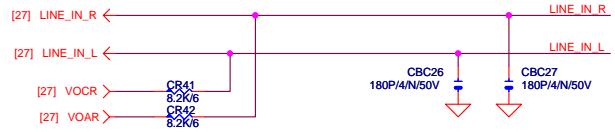
NEW TYPE: IBM_AUDIO-13P-1



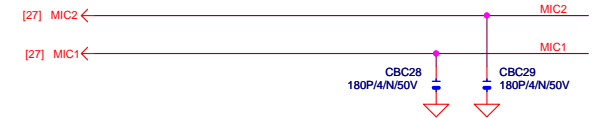
LINE-OUT



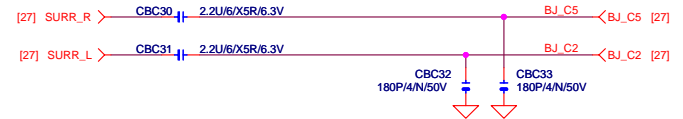
LINE-IN



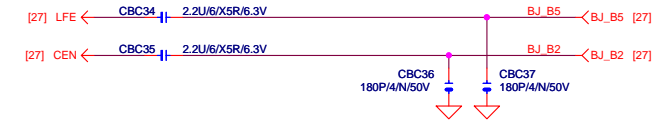
MIC-IN



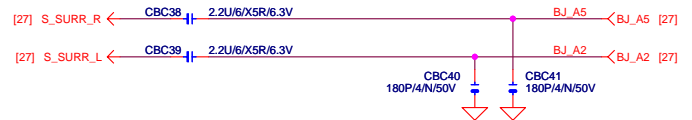
SURROUND



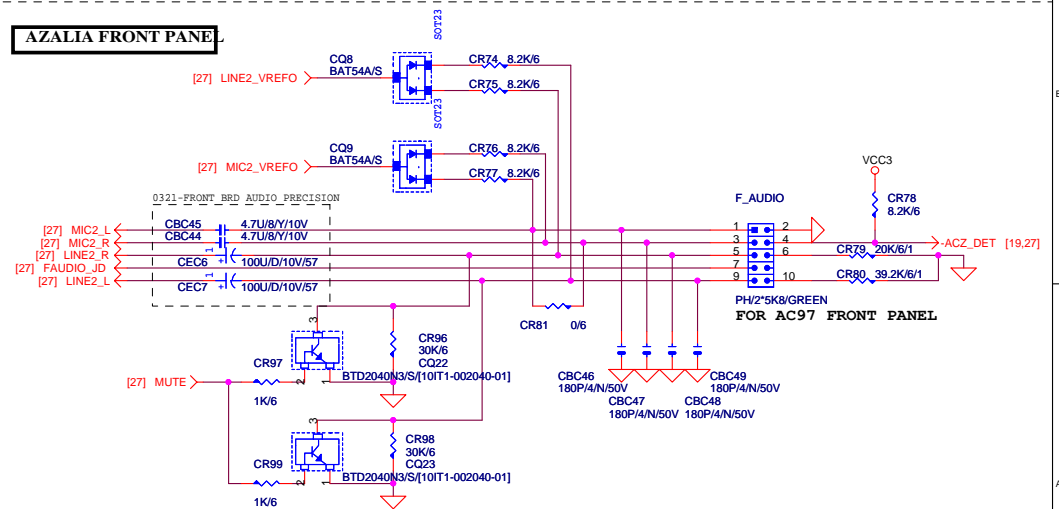
CEN/LFE



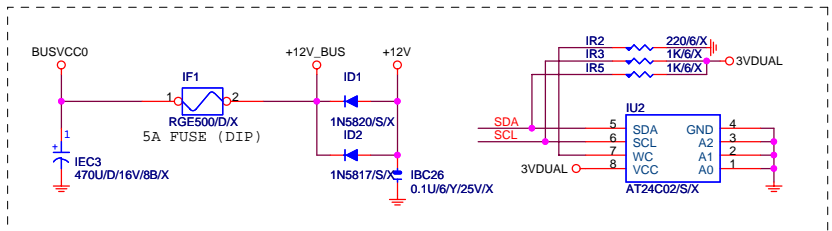
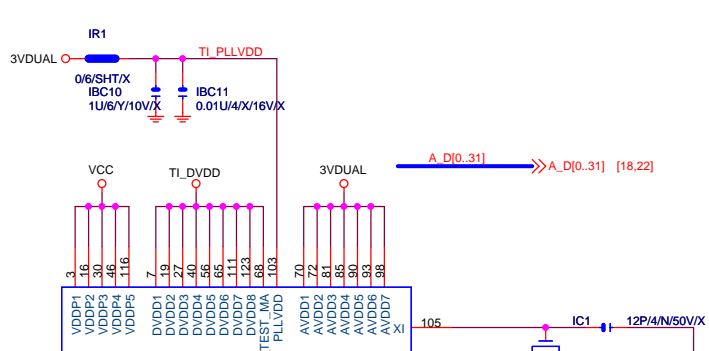
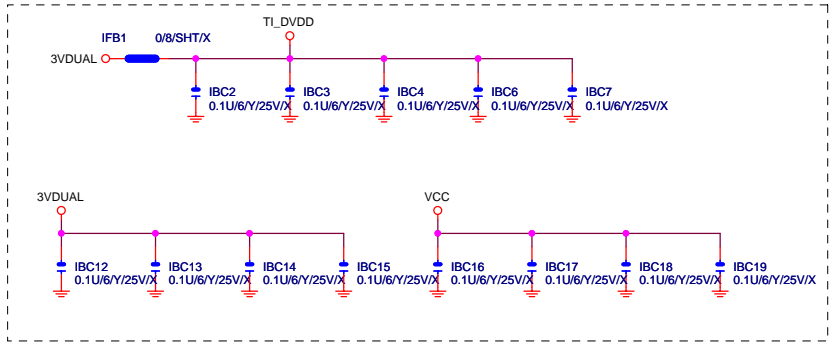
SURR BACK



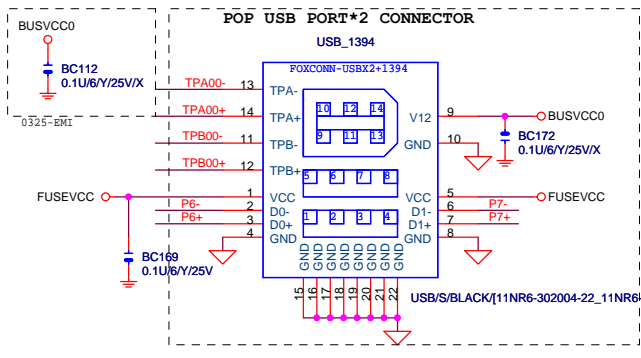
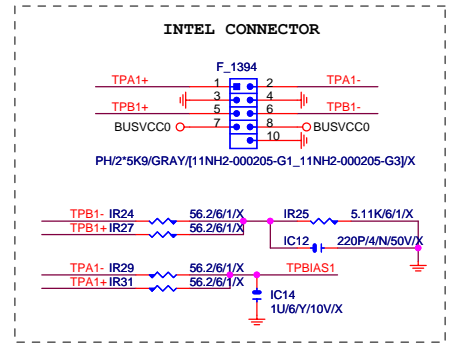
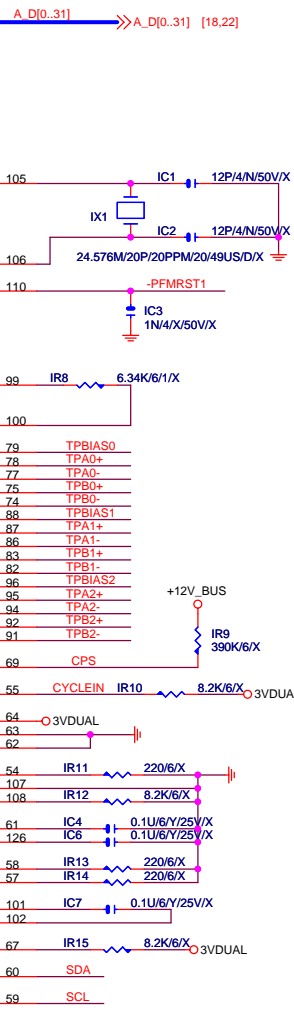
AZALIA FRONT PANE



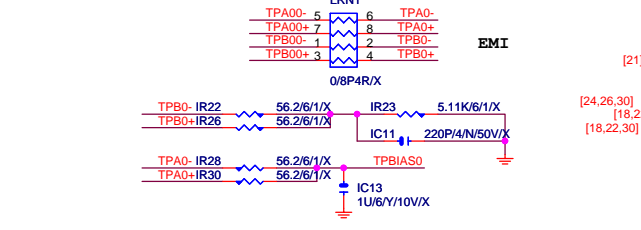
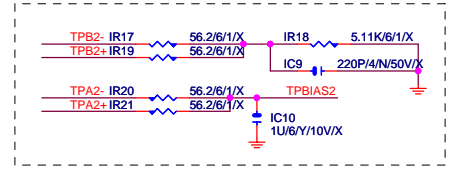
Gigabyte Technology		
AUDIO JACK		
Title	Document Number	Rev
	81945AE-AE	1.1
Date:	Friday, June 10, 2005	Sheet 28 of 34



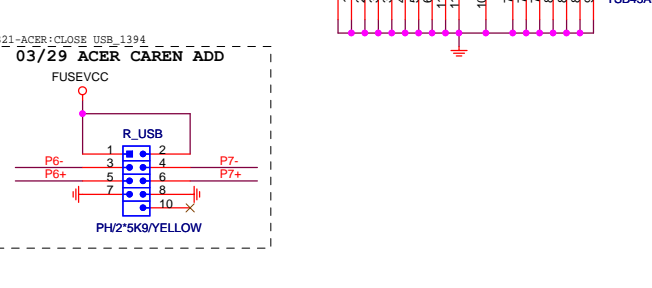
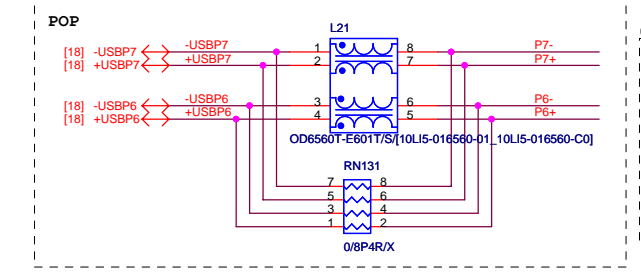
A D0	52	PCI_AD0
A D1	50	PCI_AD1
A D2	49	PCI_AD2
A D3	48	PCI_AD3
A D4	47	PCI_AD4
A D5	45	PCI_AD5
A D6	44	PCI_AD6
A D7	42	PCI_AD7
A D8	39	PCI_AD8
A D9	38	PCI_AD9
A D10	37	PCI_AD10
A D11	35	PCI_AD11
A D12	34	PCI_AD12
A D13	33	PCI_AD13
A D14	31	PCI_AD14
A D15	29	PCI_AD15
A D16	14	PCI_AD16
A D17	13	PCI_AD17
A D18	11	PCI_AD18
A D19	10	PCI_AD19
A D20	9	PCI_AD20
A D21	8	PCI_AD21
A D22	6	PCI_AD22
A D23	5	PCI_AD23
A D24	128	PCI_AD24
A D25	127	PCI_AD25
A D26	125	PCI_AD26
A D27	124	PCI_AD27
A D28	122	PCI_AD28
A D29	121	PCI_AD29
A D30	120	PCI_AD30
A D31	118	PCI_AD31



[18,22] -C_BE0	41	PCI_C/BE0
[18,22] -C_BE1	14	PCI_C/BE1
[18,22] -C_BE2	15	PCI_C/BE2
[18,22] -C_BE3	2	PCI_C/BE3
[18,22] PAR	26	PCI_PAR
[18,22] -FRAME	17	PCI_FRAME
[18,22] -IRDY	18	PCI_IRDY
[18,22] -TRDY	20	PCI_TRDY
[18,22] -DEVSEL	22	PCI_DEVSEL
[18,22] -STOP	22	PCI_STOP
A D23	4	PCI_IDSEL



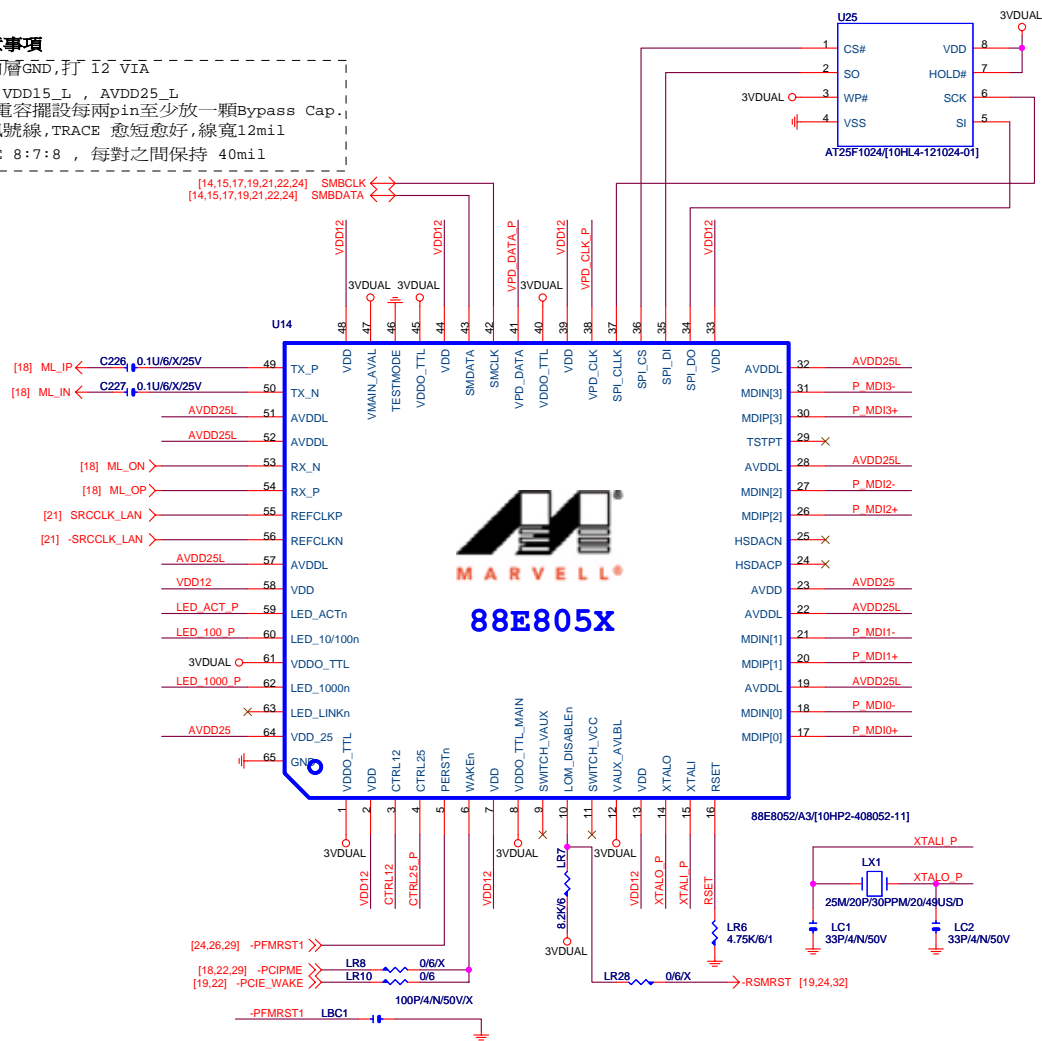
[18,22] -REQ2	115	PCI_REQ
[18] -GNT2	114	PCI_GNT
[18,22] -PERR	24	PCI_PERR
[18,22] -SERR	25	PCI_SERR
[2] 1394CLK	112	PCI_PCLK
[24,26,30] -PFMRST1	53	PCI_RST
[18,22] -PIRQH	109	PCI_INTA
[18,22,30] -PCIPME	117	PCI_PME



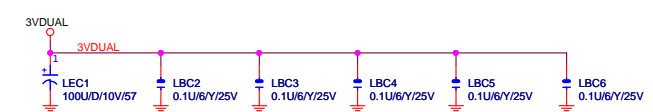
PCIE-1G LAN

Layout Check 注意事項

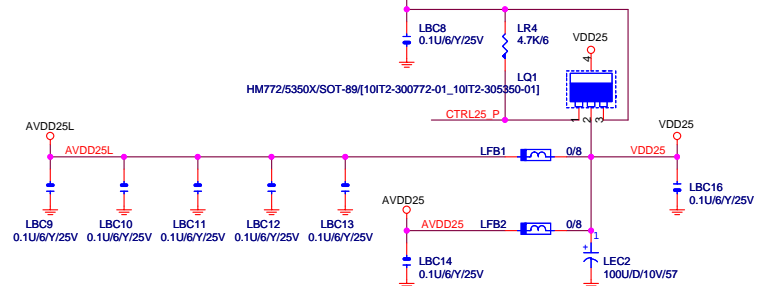
1. L01 Pin65 需下內層GND, 打 I2 VIA
2. 3VDUAL, VCC3, VDD15_L, AVDD25_L 至少走20mil寬, 並且電容擺設每兩pin至少放一顆Bypass Cap.
3. X'TAL 25MHz 兩訊號線, TRACE 愈短愈好, 線寬12mil
4. MDI正負0~3, TRACE 8:7:8, 每對之間保持 40mil



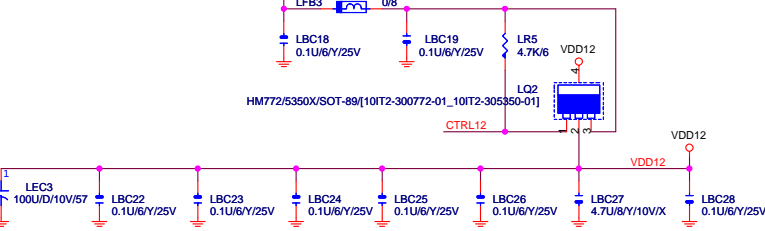
3VDUAL



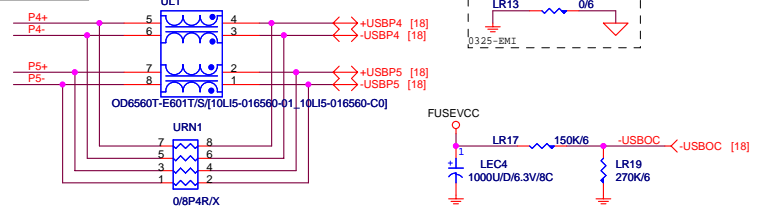
2.5V



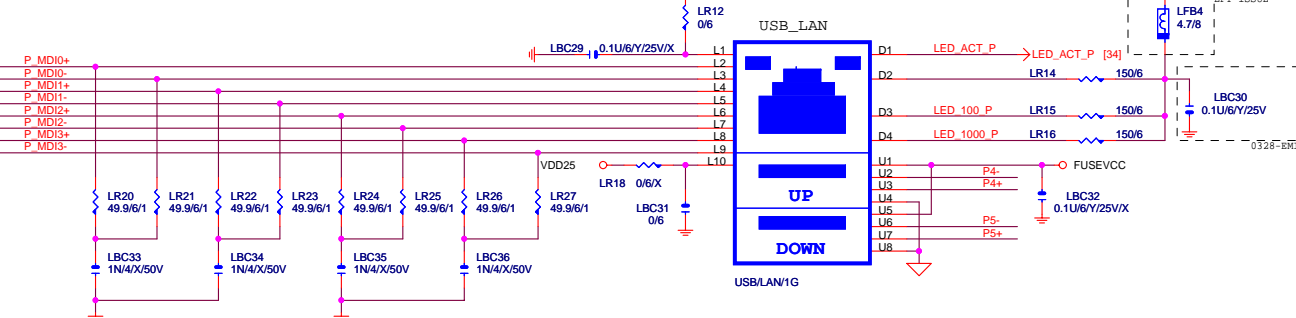
1.2V



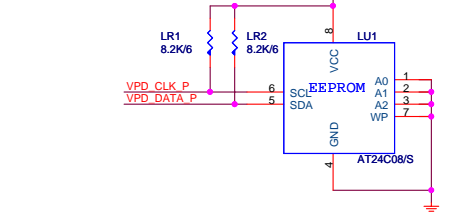
USB_LAN



USB_LAN CONNECTOR

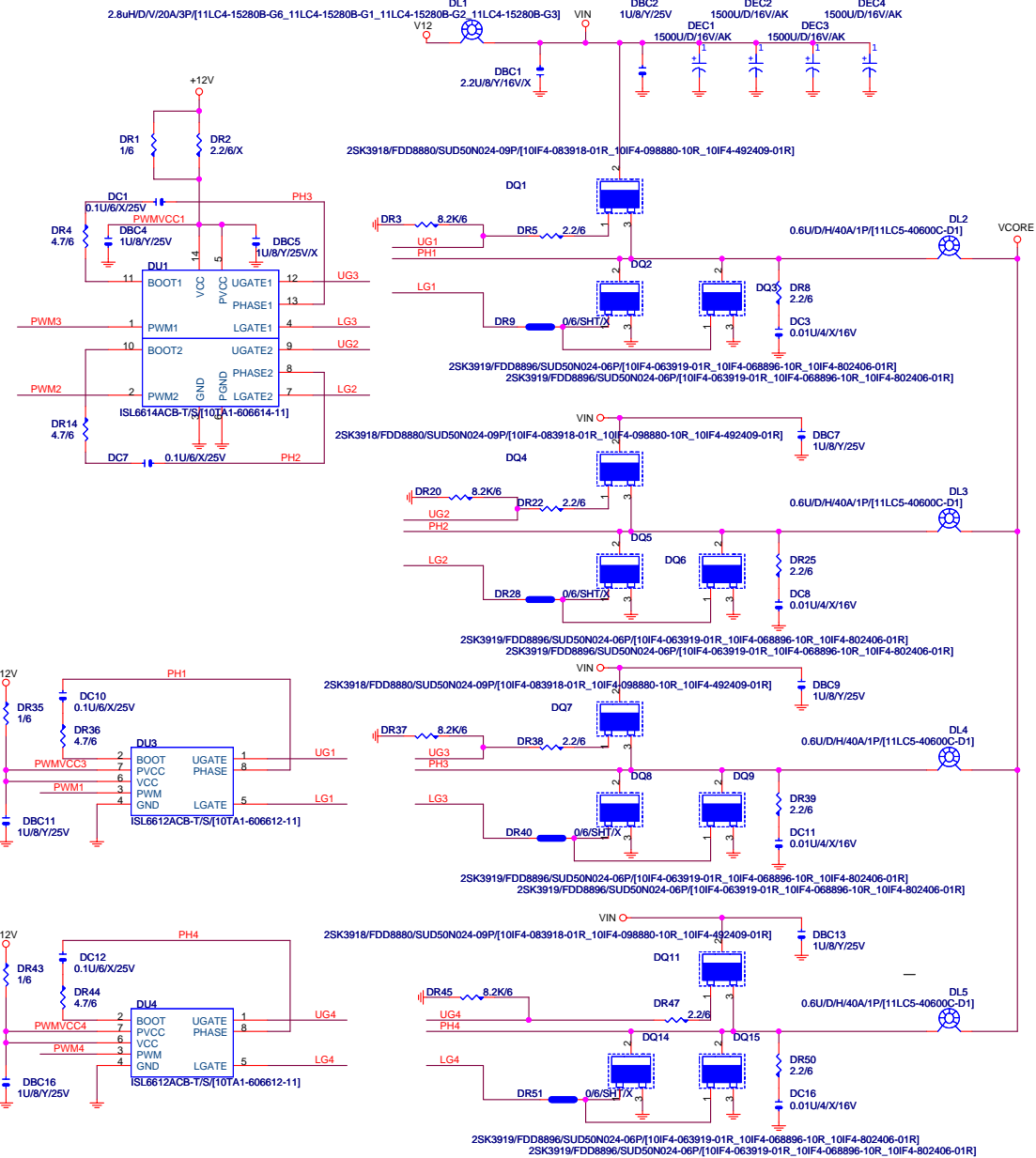
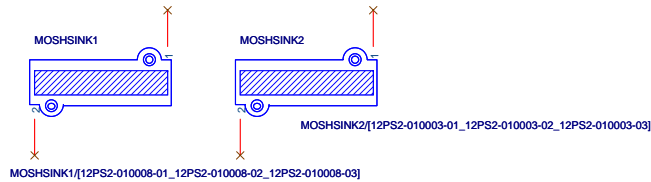
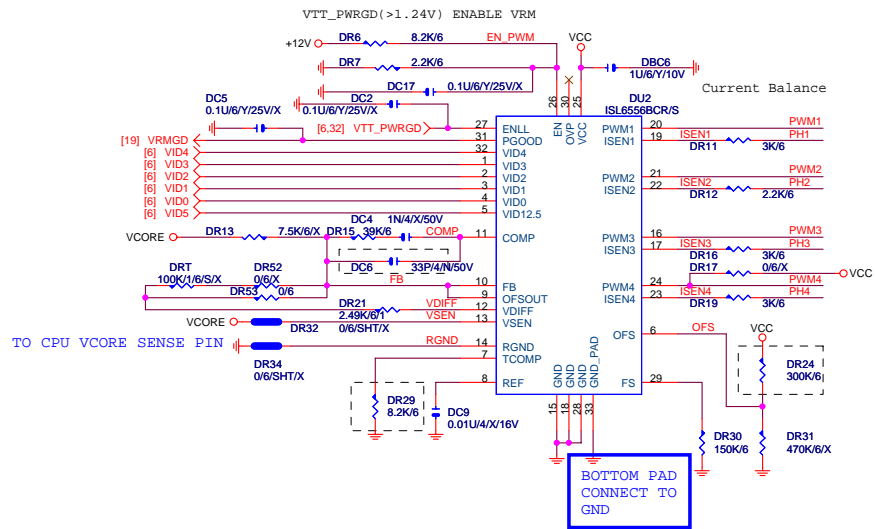
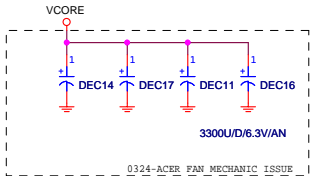
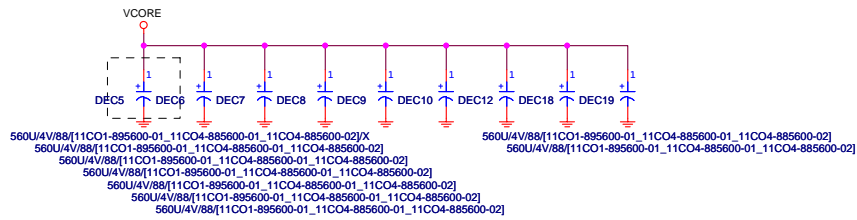


EEPROM



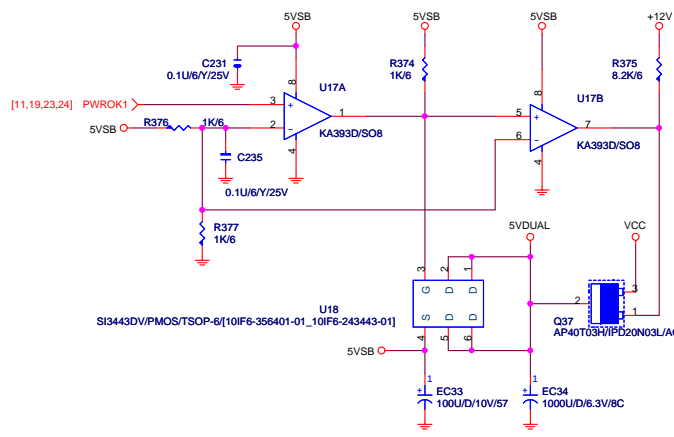
Gigabyte Technology

Title			MARVELL 88E8052		
Size	Document Number				Rev
Custom	81945AE-AE				1.1
Date:	Friday, June 10, 2005	Sheet	30	of	34

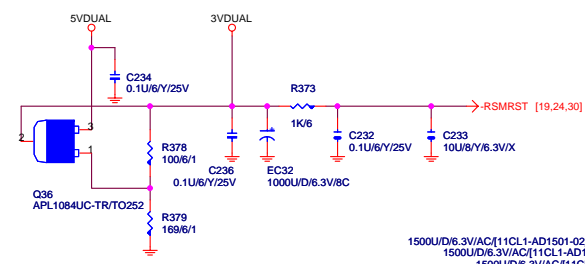


Gigabyte Technology		
VCCO PWM_ISL6556		
Title	81945AE-AE	
Size	Document Number	Rev
Custom		1.1
Date:	Friday, June 10, 2005	Sheet 31 of 34

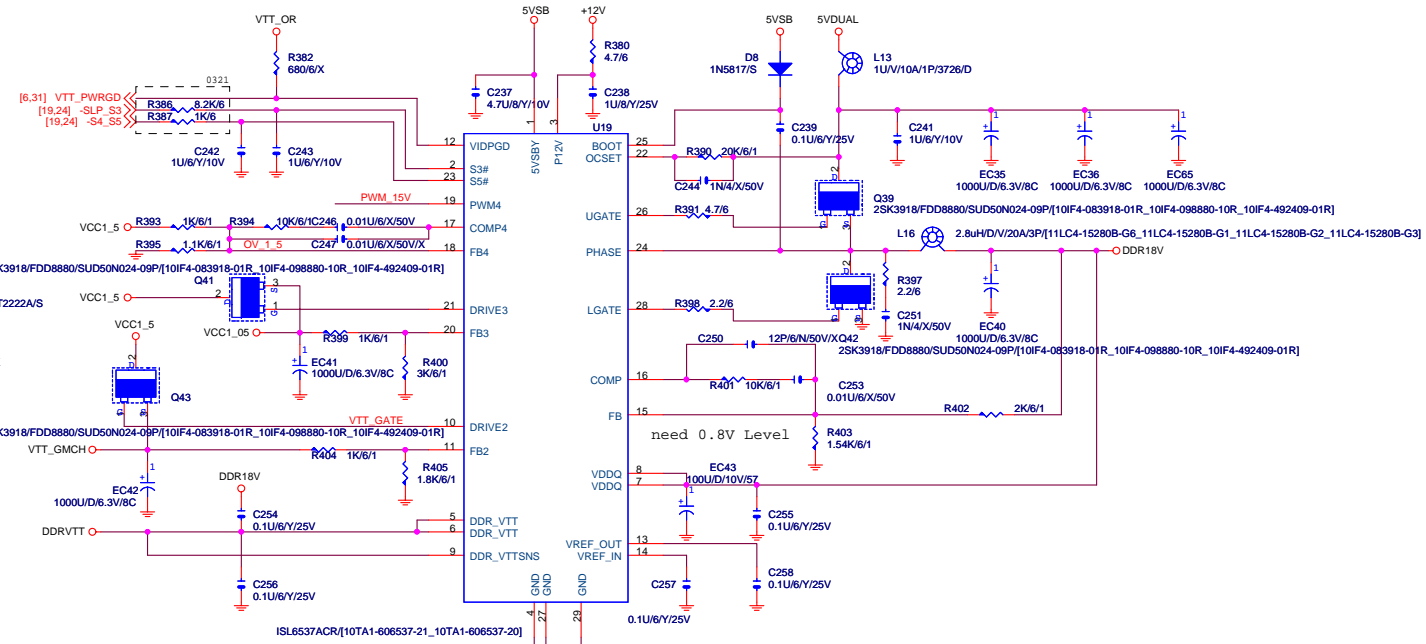
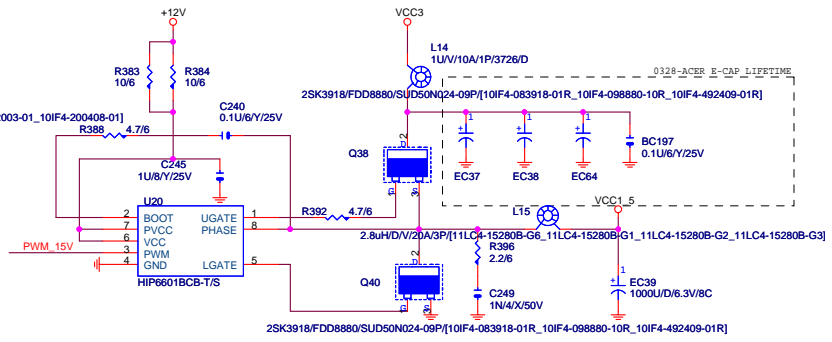
5VDUAL



3VDUAL



VCC1_5



BOTTOM PAD
USE 6 VIAS
CONNECT TO
GND

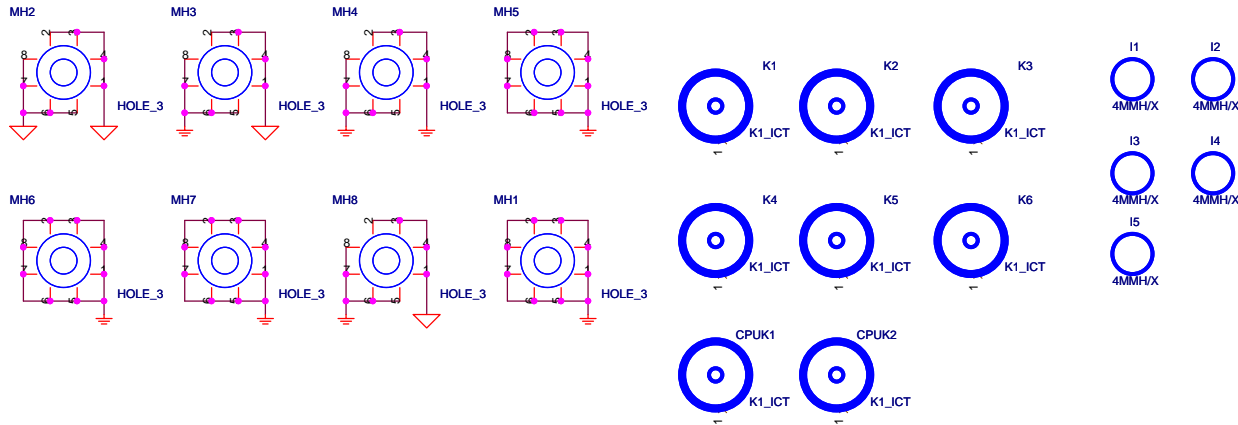
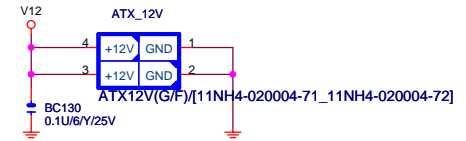
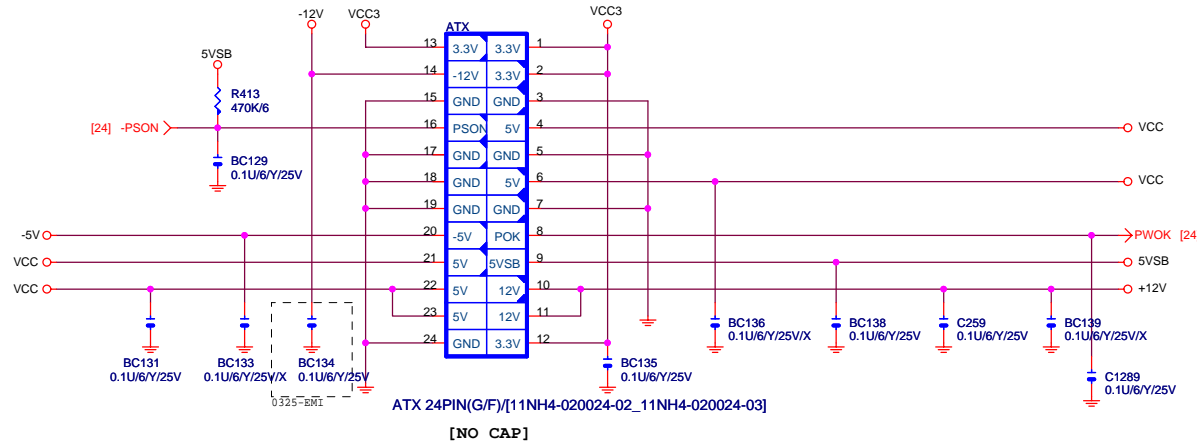
Gigabyte Technology

Title: **DISCRETE POWER**

Size: Custom Document Number: **81945AE-AE** Rev: **1.1**

Date: Friday, June 10, 2005 Sheet: 32 of 34

ATX POWER CONNECTOR

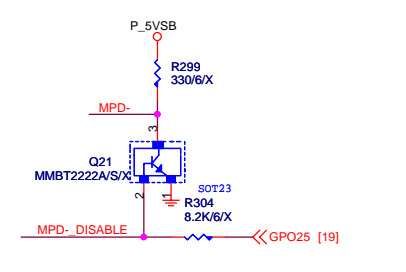
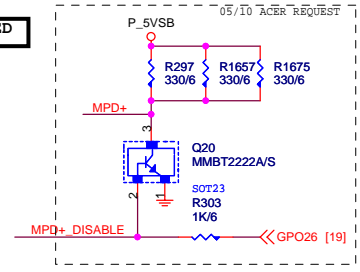


Gigabyte Technology

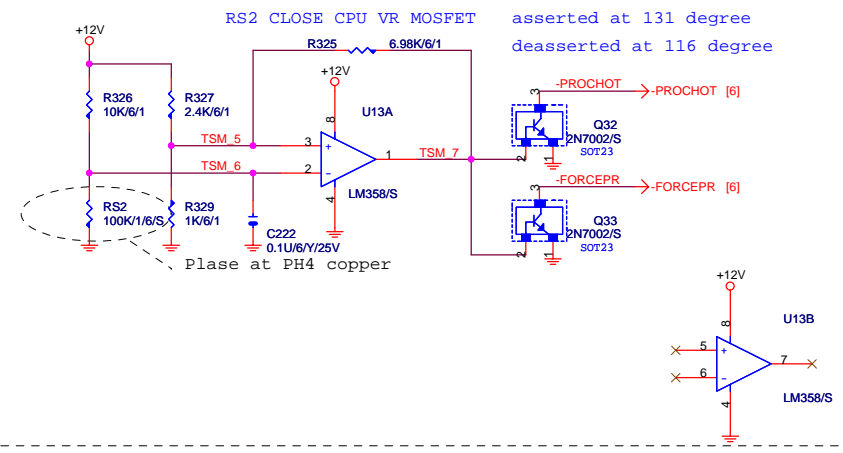
Title			ATX POWER CONNECTOR		
Size	Document Number	8I945AE-AE		Rev	1.1
B	Date: Friday, June 10, 2005	Sheet	33	of	34

DUAL COLOR LED

0321



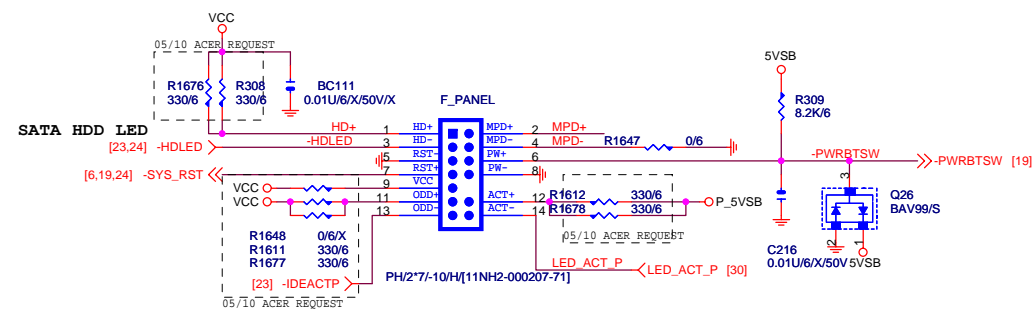
PROCESSOR HOT



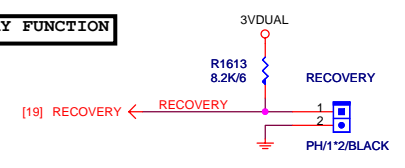
asserted at 131 degree
deasserted at 116 degree

PREVENT S0 W/O CPU, GREEN IS ON.

INTEL FRONT PANEL modify PIN2*7 cut 10pin for ACER

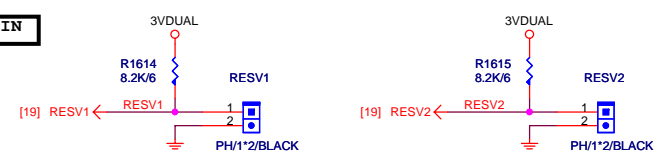


RECOVERY FUNCTION

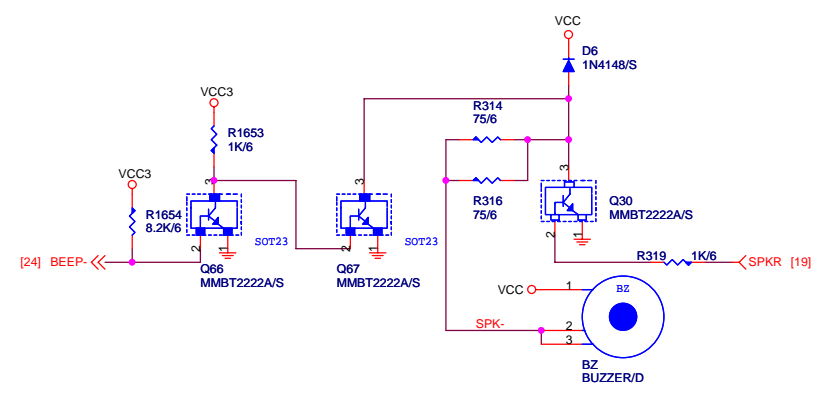


RECOVERY	
OPEN	NORMAL
SHORT	RECOVERY

RESERVE PIN



BUZZER



Gigabyte Technology

Title			FRONT PANEL
Size	Document Number	8I945AE-AE	
Custom		Rev	1.1
Date:	Friday, June 10, 2005	Sheet	34 of 34