



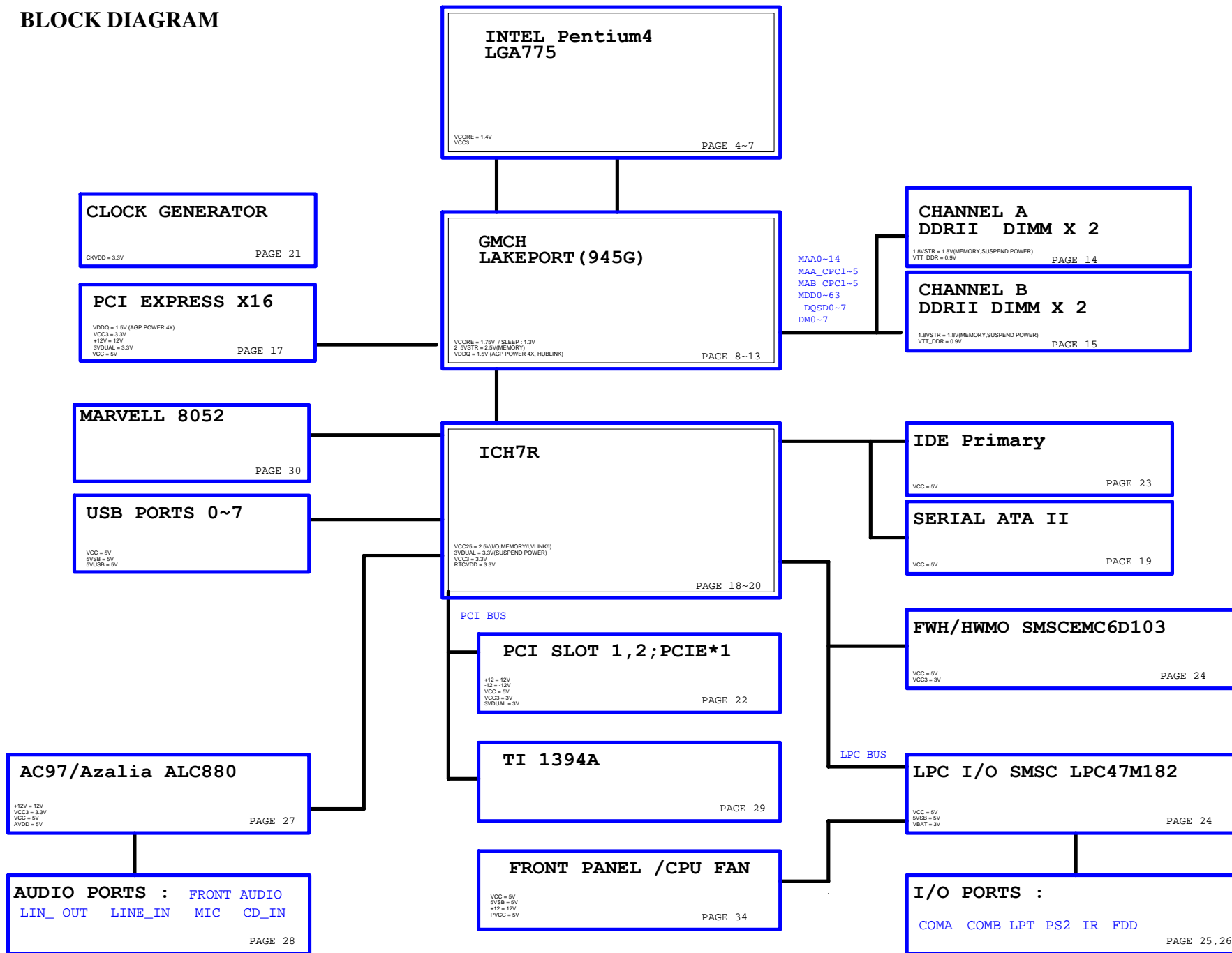
SHEET TITLE

01	COVER SHEET
02	BLOCK DIAGRAM
03	BOM & PCB MODIFY HISTORY
04	P4 LGA775 A
05	P4 LGA775 B
06	P4 LGA775 C
07	P4 LGA775 D,E,F,G
08	GMCH-LAKEPORT HOST
09	GMCH-LAKEPORT DDRII
10	GMCH-LAKEPORT PCI E, DMI
11	GMCH-LAKEPORT INT VGA
12	GMCH-LAKEPORT GND
13	GMCH-LAKEPORT PWR
14	DDRII CHANNEL A 1,2
15	DDRII CHANNEL B 1,2
16	DDRII TERMINATION
17	PCI EXPRESS*16 SLOT
18	ICH7 PCI, USB, DMI, LAN
19	ICH7 IDE, GPIO, SATA, CTRL
20	ICH7 VCC, GND
21	GB/CK410M CLOCK.
22	PCI SLOT 1,2,PCIE*1
23	IDE/FLOPPY/USB
24	SMSC LPC IO
25	COM LPT
26	BIOS,CI,HWM,KB/MS
27	ALC880

SHEET TITLE

28	REAR AUDIO JACK
29	TI TSB43AB23 1394
30	MARVELL 88E8052
31	VCORE PWM ISL6556
32	DISCRETE POWER
33	ATX, OTHERS POWER
34	FRONT PANEL

BLOCK DIAGRAM



Gigabyte Technology			
BOM & PCB MODIFY HISTORY			
File			
Size	Document Number	81945AEF-RH	Rev
Custom			1.1
Date	Tuesday, November 20, 2005	Sheet	2 of 34

Model Name: 8I945AEF-RH-AE

Version: 1.1

Component value change history

2005/08/24

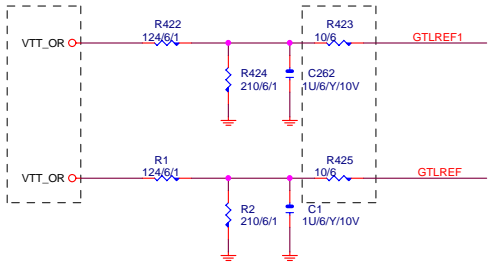
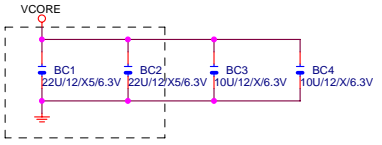
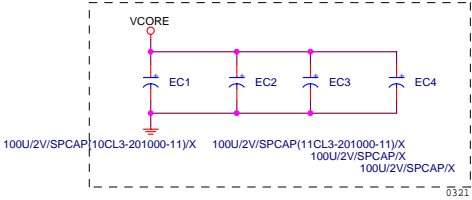
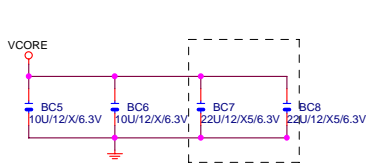
Data	Reason	Change Item
2005/02/01	PAGE 29:ACER modify USB_1394 for rear window	
	PAGE 24:add 5VDUAL LOCKER	
2005/03/21	PCB REV 0.2 MODIFY (ACER)	
	PAGE 31:LAYOUT CHANGED	1.VCORE PWM(NORTH:3 PHASE,EAST:1 PHASE) ADD MOSHSINK1,2
	PAGE 31:LAYOUT CHANGED	2.CPU_FAN,SYS_FAN USE OP+MOSFET
	PAGE 29:LAYOUT CHANGED	3.R_USB/USB_1394 PORT 6/7 CO-LAYOUT on REAR SIDE
		4.Front 1394 connector only 1 keep
	PAGE 19:ACER ADD TPM FUNCTION	5.ADD TPM CONNECTOR
	PAGE 28:ACER MODIFY SPDIF CONNECTOR	6.SPDIF PH/1*4K2
	PAGE 26:ACER MODIFY CASEOPEN--->RTCVDD~>3VDUAL	7.CACEOPEN- PULL-UP from RTCVDD-->3VDUAL
2005/03/29	9M8I945AEF-AE-02 E-BOM (ACER B2-C)	1.PAGE 4:ADD CPU RETAINTION/[12KRC-040005-21] & IO_SHIELD/[12AIO-AE0007-01]
	NB/SB CHIPSET MODIFY:945G/A2+ICH7/A1	2.NB/SB CHIPSET MODIFY:945G/A2/ACER/[10HB1-033000-23R]+ICH7/A1/ACER/[10HB1-032801-N3R]
	PAGE 11:LAYOUT BOM CHANGED (INTEL REQUEST)	3.SDVO CLDATA & SDVO_CLCLK add 220Ω(R1630,R1631)
	PAGE 24:LAYOUT BOM CHANGED-->FAN DESIGN	4.CPU FAN and SYS_FAN design OP+MOSFET circuit
	PAGE 28:LAYOUT BOM CHANGED-->F_AUDIO	5.ADD F_AUDIO ACER CABLE AUDIO PRECISION (CEC6,CEC7-->100UF)
	PAGE 34:LAYOUT BOM CHANGED-->VCC1_5	6.EC37,EC38,EC64-->1500U/D/6.3V/AC/[11CL1-AD1501-02_11CL1-AD1501-03_11CL1-AD1501-04]
	PAGE 11:LAYOUT BOM CHANGED (INTEL REQUEST) -->SATAII PLL POWER ADD (LC) DECOUPLING	7.L22-->10UH/0806/S/[10LI2-12100A-02_10LI2-12100A-03];BC194-->10U/8/Y/6.3V
	PAGE 34:BOM CHANGED-->PWRLED	8.USE GPO26 (PWRLED S1/S3 BLINKING)
2005/04/15	PCB REV 0.3 MODIFY (ACER)	1.EMI ISSUE FOR COM PORT (VIN)
2005/04/28	BOM:9M8I945AEF-AE-10A PVT	1.更改PCB VER:1.0 2.CBC30,CBC31,CBC34,CBC35,CBC38,CBC39:1U-->2.2U 3.REMOVE U11<BIOS SK> 4.REMOVE PCIE_12V
2005/05/04	BOM:9M8I945AEF-AE-10A ECN	1.B2加替料
2005/05/24	BOM:9M8I945AEF-AE-11A DVT	1.SB change ICH7R
2005/06/13	BOM:9M8I945AEF-AE-11B-DVT	1.C1288 ADD 10K/4 2.1394加替料
2005/06/13	BOM:9M8I945AEF-AE-11B PVT	1.轉P-BOM

Circuit or PCB layout change for next version

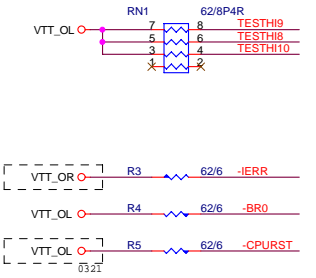
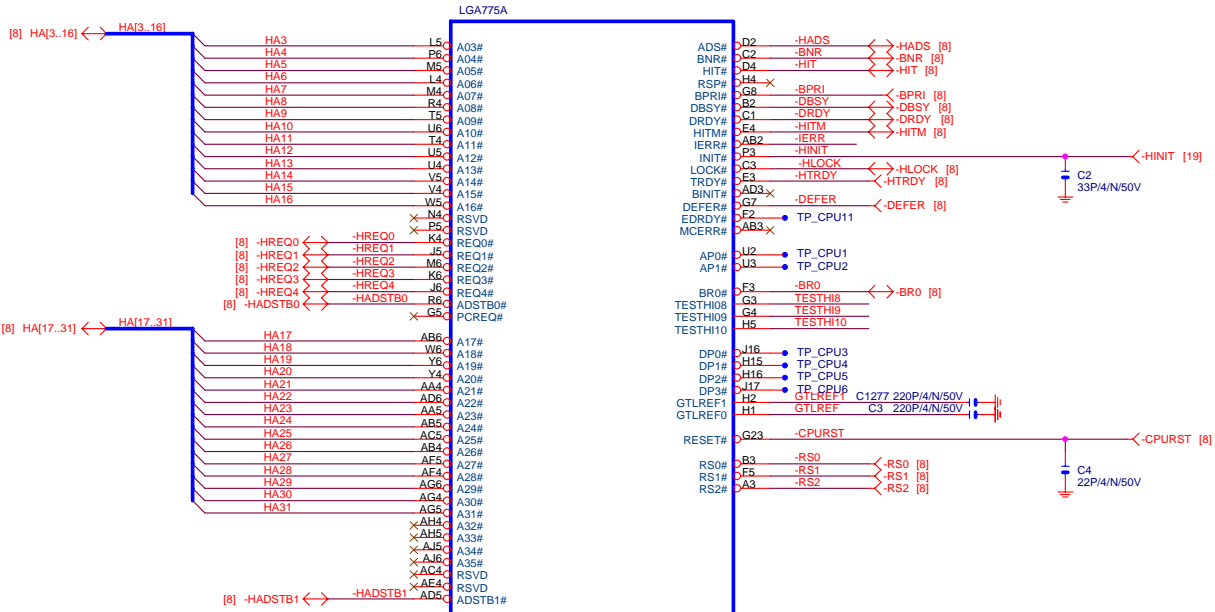
DATE	Change Item	Reason
2005/07/13	BOM:9M8I945AE-AE-11C	1.FIX 水波紋ISSUE: FB4 (30/8/S/4A)-->0 OHM DEL U8 (NCP500SN25T1 ON:10GL4-15B252-11)
2005/07/14	BOM:9MI945AER-AE-11C (改ROHS BOM)	
2005/07/28	BOM:9MI945AER-AE-11C ECN	1.更改PCB料號
2005/08/24	BOM:9M8I945AEFR-AE-11D	1.PCB ADD CHINA PCB 2.MOSFET HEATSINK CHANGE

Gigabyte Technology

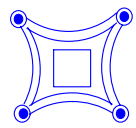
Title BOM & PCB MODIFY HISTORY		
Size Custom	Document Number 8I945AEF-RH	Rev 1.1
Date: Tuesday, November 29, 2005	Sheet 3	of 34



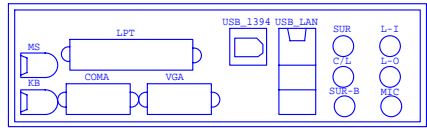
LGA775 FOOT PRINT FOR ACER:LGA775-ACER

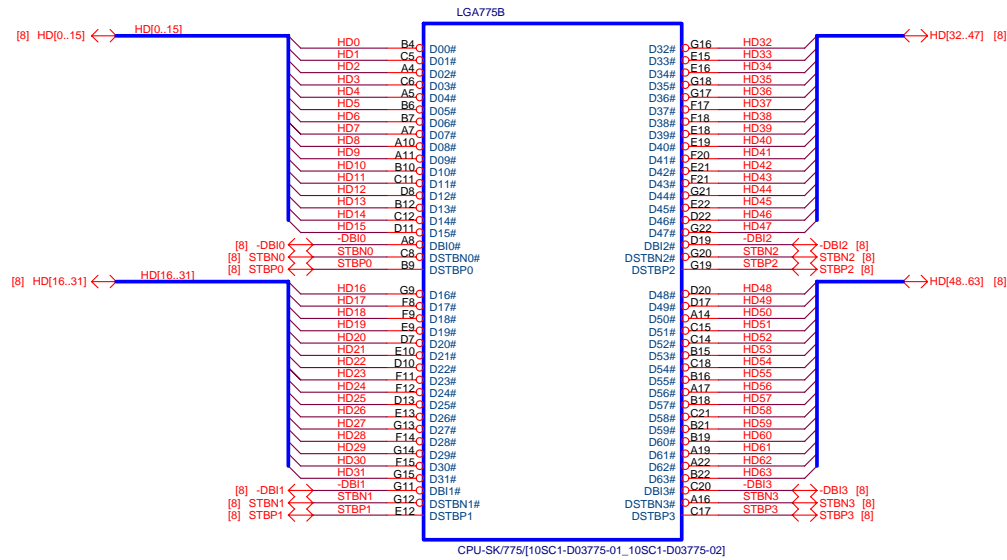


LGA775-CR
CPU_RETAINION[12KRC-040005-21]



IO_SHIELD
IO_SHIELD[12AIO-AE0007-01]

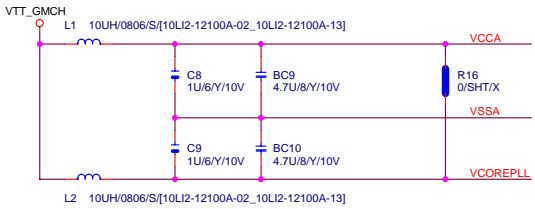




Gigabyte Technology

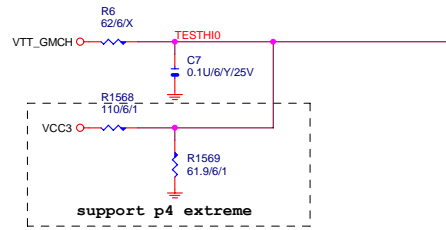
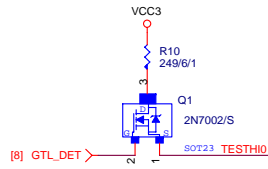
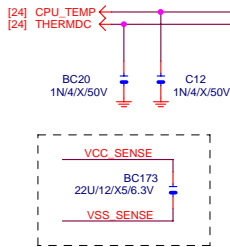
Title		
P4_LGA775-C		
Size	Document Number	Rev
Custom	81945AEF-RH	1.1
Date:	Tuesday, November 29, 2005	Sheet 5 of 34

Note:
VCCA & VCOREPLL
define doesn't same as
old P4 design kit

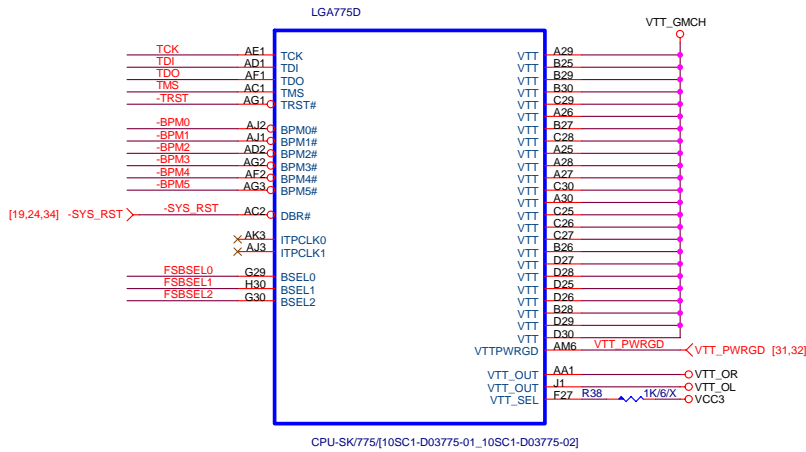
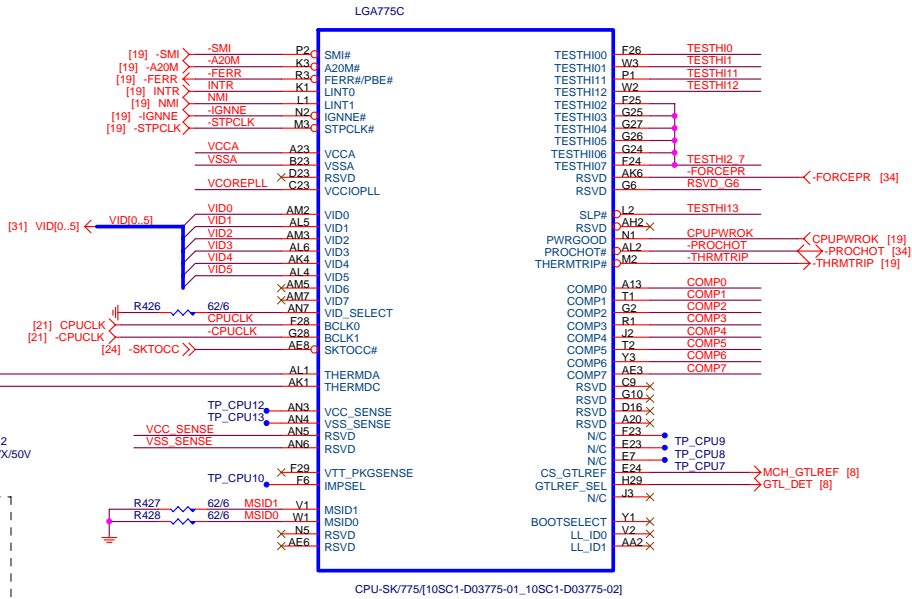


Trace width doesn't
less than 12 Mil

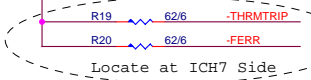
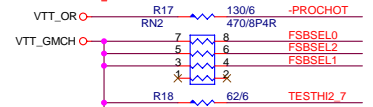
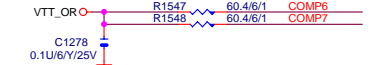
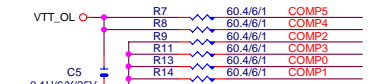
As close as possible to
CPU socket



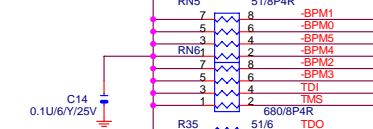
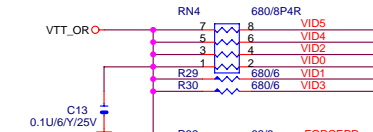
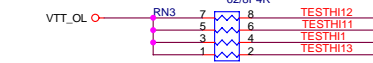
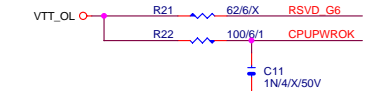
support p4 extreme



Place outside of CPU socket

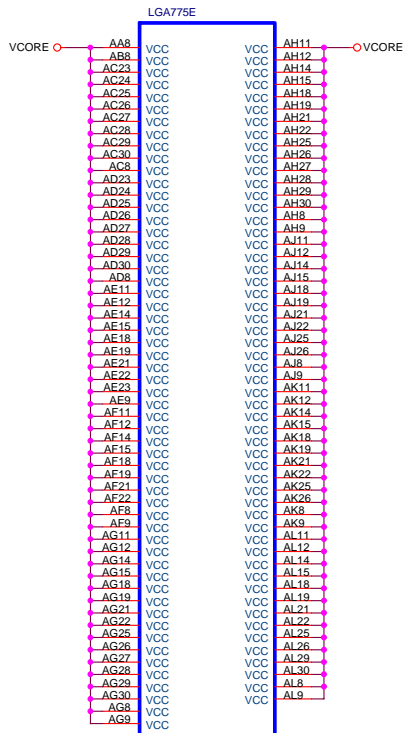


Locate at ICH7 Side

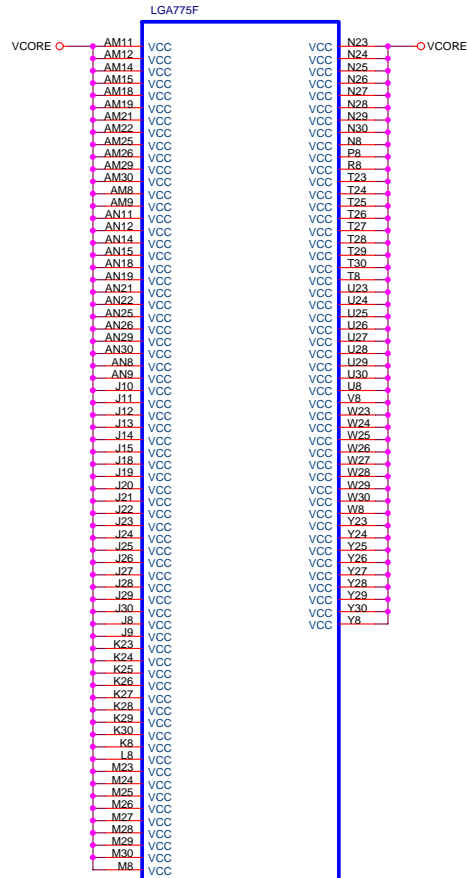


Gigabyte Technology

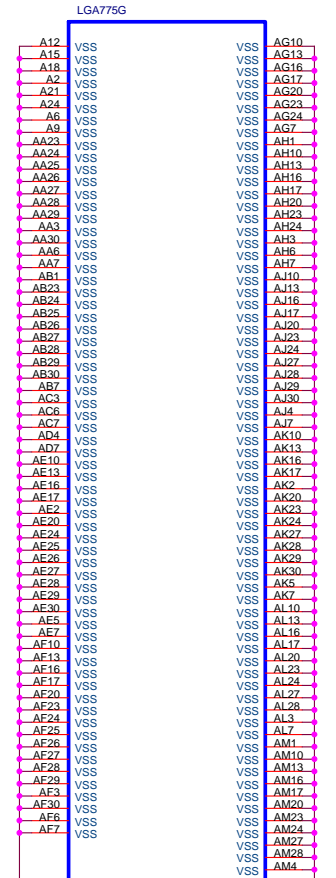
Title		P4_LGA775-B	
Size	Document Number	81945AEF-RH	
Custom		Rev	1.1
Date:	Tuesday, November 29, 2005	Sheet	6 of 34



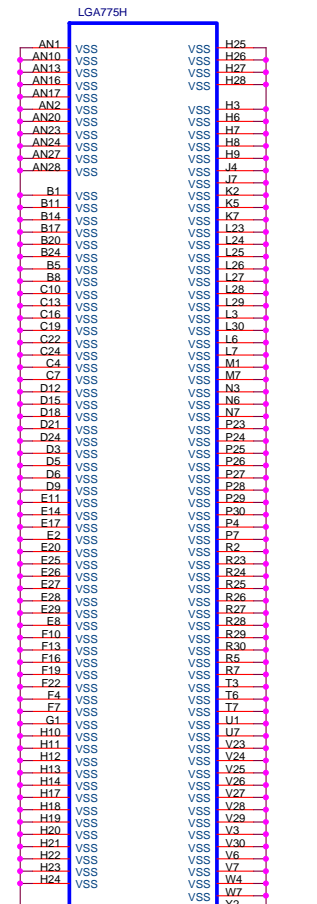
CPU-SK/775[10SC1-D03775-01_10SC1-D03775-02]



CPU-SK/775[10SC1-D03775-01_10SC1-D03775-02]



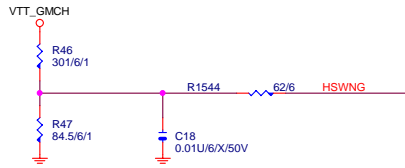
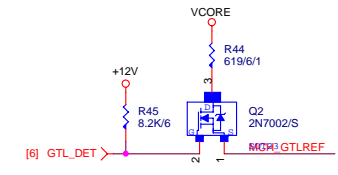
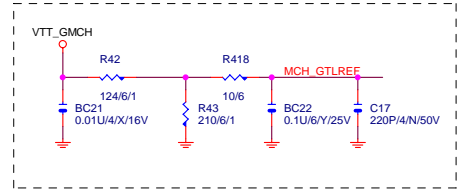
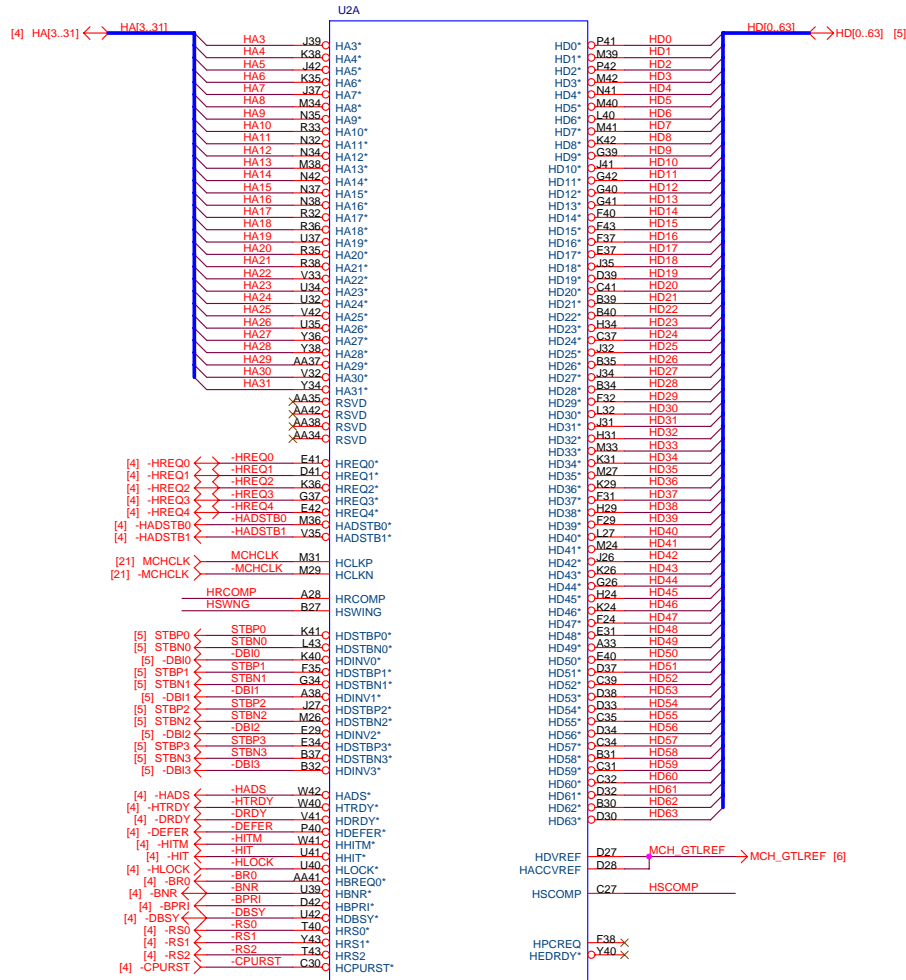
CPU-SK/775[10SC1-D03775-01_10SC1-D03775-02]



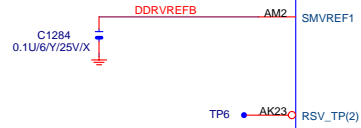
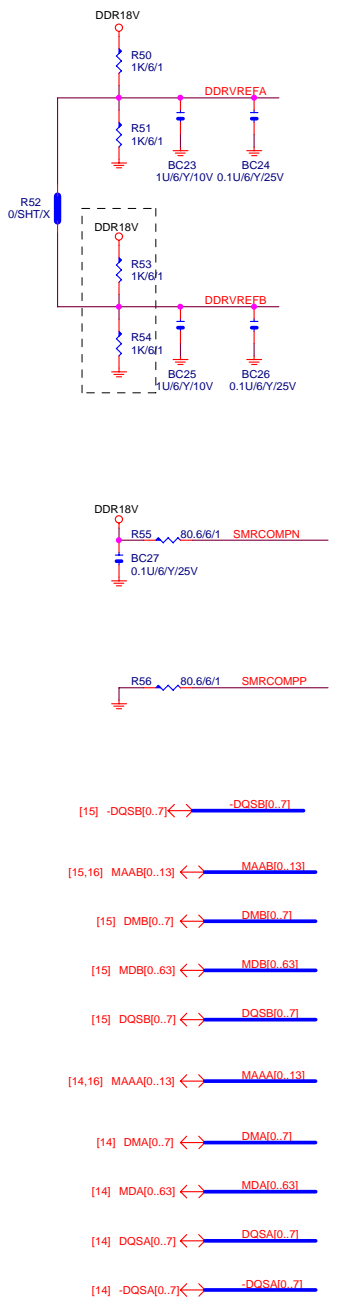
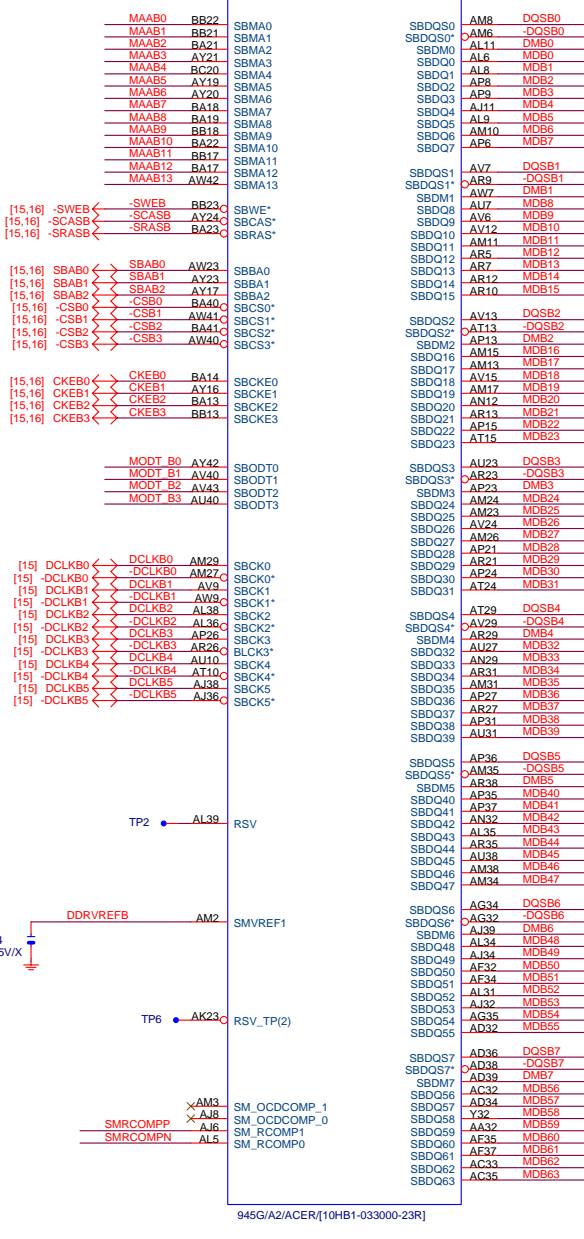
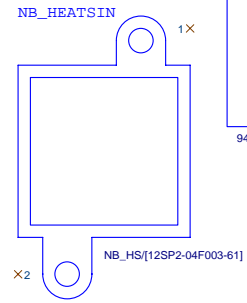
CPU-SK/775[10SC1-D03775-01_10SC1-D03775-02]

Gigabyte Technology

Title			P4_LGA775-D		
Size	Document Number		81945AEF-RH		
Custom			Rev	1.1	
Date:	Tuesday, November 29, 2005	Sheet	7	of 34	



Gigabyte Technology			
Title GMCH-HOST			
Size Custom	Document Number	81945AEF-RH	
Date:	Tuesday, November 29, 2005	Sheet	8 of 34
			Rev 1.1

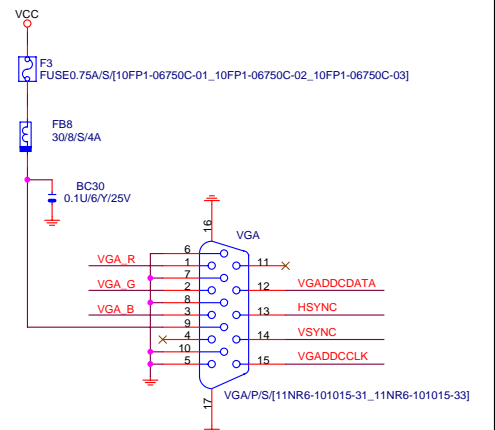
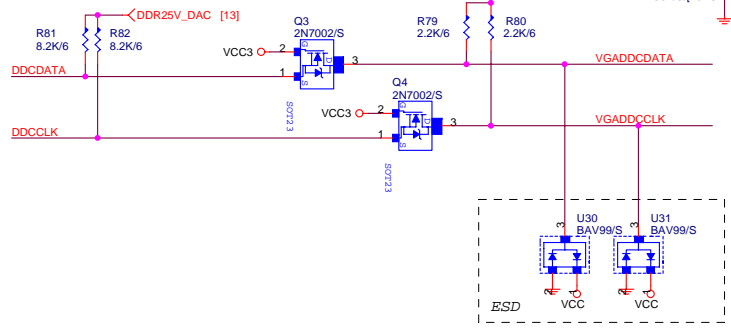
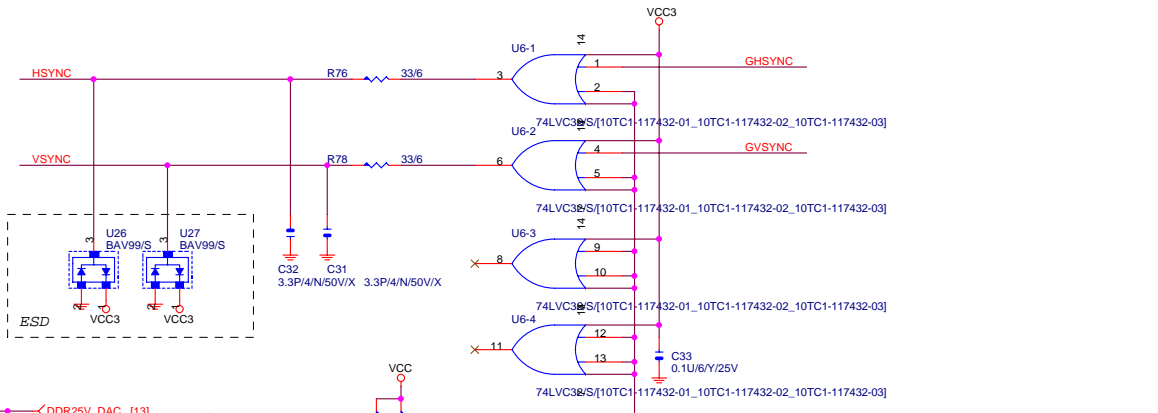
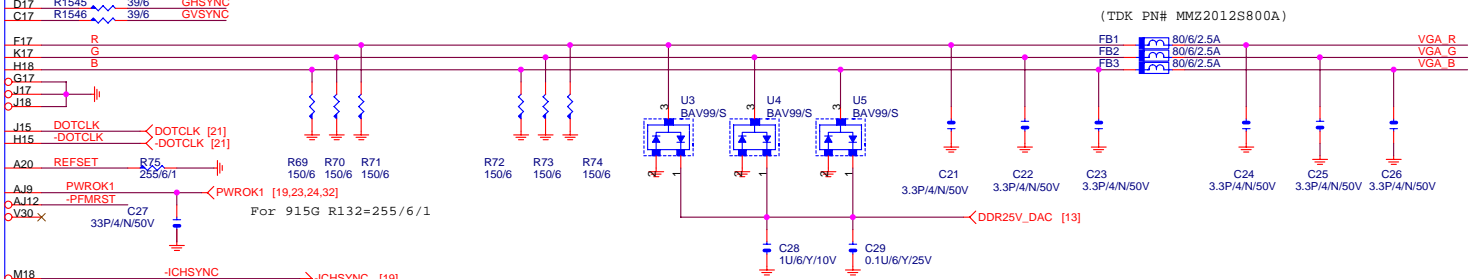
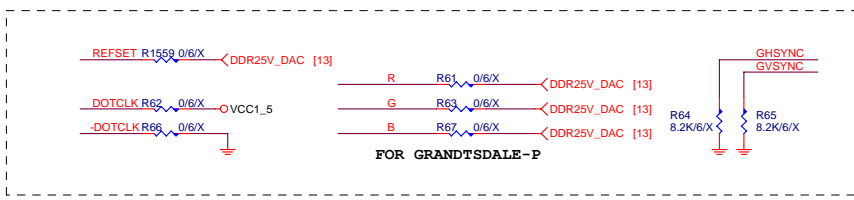
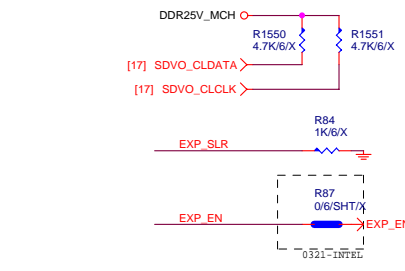
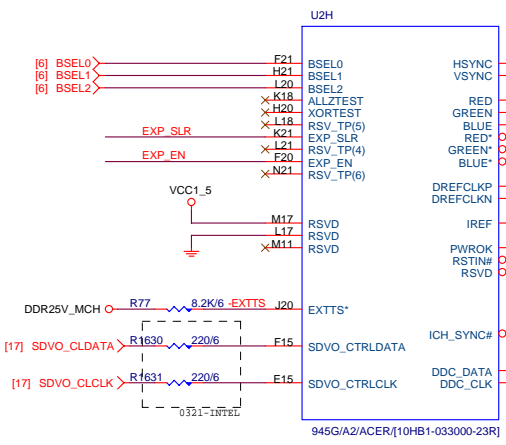


945G/A2/ACER[10HB1-033000-23R]



Gigabyte Technology

Title			GMCH-PCI E & DMI		
Size	Document Number	81945AEF-RH		Rev	1.1
Date:	Tuesday, November 29, 2005	Sheet	10	of	34



Gigabyte Technology			
Title GMCH-INTERNAL VGA			
Size Custom	Document Number	81945AEF-RH	
Date:	Tuesday, November 29, 2005	Sheet	11 of 34

U2C

A4	VSS	N2
A16	VSS	N6
A22	VSS	N8
A26	VSS	N13
A31	VSS	N15
A35	VSS	N24
B4	VSS	N26
B6	VSS	N27
B9	VSS	N29
B11	VSS	N31
B13	VSS	N33
B21	VSS	N36
B22	VSS	N39
B28	VSS	N43
B33	VSS	P3
B38	VSS	P14
C3	VSS	P15
C5	VSS	P24
C7	VSS	P26
C12	VSS	P27
C14	VSS	P29
C22	VSS	P30
C40	VSS	R6
D2	VSS	R9
D5	VSS	R12
D10	VSS	R14
D16	VSS	R30
D20	VSS	R31
D21	VSS	R34
E3	VSS	R37
E4	VSS	R39
E7	VSS	T2
E9	VSS	T2
E12	VSS	T2
E13	VSS	T2
E17	VSS	T2
E18	VSS	T2
E20	VSS	T2
E21	VSS	T2
E32	VSS	T2
F2	VSS	T2
F6	VSS	T2
F13	VSS	T2
F18	VSS	T2
F26	VSS	T2
F34	VSS	T2
F42	VSS	T2
G3	VSS	T2
G5	VSS	T2
G7	VSS	T2
G9	VSS	T2
G10	VSS	T2
G13	VSS	T2
G15	VSS	T2
G18	VSS	T2
G20	VSS	T2
G21	VSS	T2
G24	VSS	T2
G27	VSS	T2
G29	VSS	T2
G31	VSS	T2
G32	VSS	T2
G35	VSS	T2
G38	VSS	T2
H12	VSS	T2
H17	VSS	T2
H26	VSS	T2
H27	VSS	T2
H32	VSS	T2
I2	VSS	T2
J5	VSS	T2
J7	VSS	T2
J10	VSS	T2
J12	VSS	T2
J21	VSS	T2
J24	VSS	T2
J38	VSS	T2
J43	VSS	T2
K3	VSS	T2
K5	VSS	T2
K6	VSS	T2
K7	VSS	T2
K10	VSS	T2
K12	VSS	T2
K13	VSS	T2
K15	VSS	T2
K20	VSS	T2
K27	VSS	T2
K32	VSS	T2
K34	VSS	T2
K37	VSS	T2
K39	VSS	T2
L2	VSS	T2
L12	VSS	T2
L13	VSS	T2
L24	VSS	T2
L26	VSS	T2
L29	VSS	T2
L31	VSS	T2
L42	VSS	T2
M3	VSS	T2
M5	VSS	T2
M8	VSS	T2
M9	VSS	T2
M10	VSS	T2
M13	VSS	T2
M20	VSS	T2
M21	VSS	T2
M35	VSS	T2
M37	VSS	T2

945G/A2/ACER[10HB1-033000-23R]

U2E

AD7	VSS	AU21
AD8	VSS	AU24
AD11	VSS	AU26
AD13	VSS	AU29
AD33	VSS	AU32
N24	VSS	AU34
AD37	VSS	AV2
AD42	VSS	AV10
N29	VSS	AV17
AF1	VSS	AV37
AF2	VSS	AW10
N33	VSS	BA4
AF5	VSS	BA42
N39	VSS	BB3
AF36	VSS	BB6
AF38	VSS	BB11
P14	VSS	BB14
P15	VSS	BB19
AG30	VSS	BB34
AG31	VSS	BB39
AG32	VSS	BB41
AG38	VSS	BC9
AG39	VSS	A40
AH42	VSS	D1
R12	VSS	D43
A10	VSS	R26
A10	VSS	R29
A130	VSS	U29
A31	VSS	V24
A33	VSS	V26
A35	VSS	V29
A37	VSS	W21
AK24	VSS	W23
AK26	VSS	W25
AK29	VSS	Y20
AK30	VSS	Y22
AL1	VSS	Y24
AL3	VSS	Y26
AL7	VSS	Y29
AL10	VSS	AA25
AL12	VSS	AA27
AL13	VSS	AA29
AL15	VSS	AC19
AL18	VSS	AC25
AL21	VSS	AC29
AL23	VSS	
AL24	VSS	
AL27	VSS	
AL32	VSS	
AL33	VSS	
AL37	VSS	
V38	VSS	
V39	VSS	
B43	VSS	
AM5	VSS	
W3	VSS	
I2	VSS	
AM3	VSS	
AM33	VSS	
AM36	VSS	
Y9	VSS	
AM39	VSS	
Y12	VSS	
AN2	VSS	
Y14	VSS	
AN4	VSS	
Y35	VSS	
AN13	VSS	
Y37	VSS	
AN15	VSS	
Y39	VSS	
AN17	VSS	
Y42	VSS	
AN18	VSS	
AN20	VSS	
AN21	VSS	
AN23	VSS	
AN24	VSS	
AN26	VSS	
AN27	VSS	
AN31	VSS	
AN42	VSS	
AP5	VSS	
AA33	VSS	
AP7	VSS	
AP10	VSS	
AP12	VSS	
AB43	VSS	
AP21	VSS	
AC2	VSS	
AC3	VSS	
AP34	VSS	
AP38	VSS	
AR1	VSS	
AC10	VSS	
AC14	VSS	
AR6	VSS	
AR15	VSS	
AR20	VSS	
AR23	VSS	
AR24	VSS	
AC31	VSS	
AC36	VSS	
AR32	VSS	
AR37	VSS	
AR39	VSS	
AR43	VSS	
AT12	VSS	
AT17	VSS	
AT18	VSS	
AT21	VSS	
AT23	VSS	
AT26	VSS	
AT27	VSS	
AT31	VSS	
AU6	VSS	
AU9	VSS	
AU12	VSS	
AL13	VSS	
AL15	VSS	
AL17	VSS	
AU20	VSS	
AD18	VSS	
AD20	VSS	
AD22	VSS	
AD24	VSS	
AD27	VSS	
AD29	VSS	
AE19	VSS	
AE21	VSS	
AE23	VSS	
AE25	VSS	
AF18	VSS	
AF20	VSS	
AF22	VSS	
AF24	VSS	
AY1	VSS	
BC4	VSS	

945G/A2/ACER[10HB1-033000-23R]

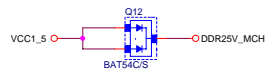
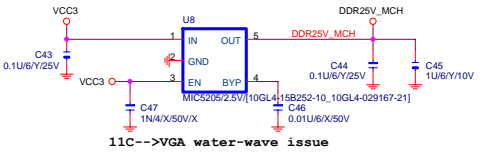
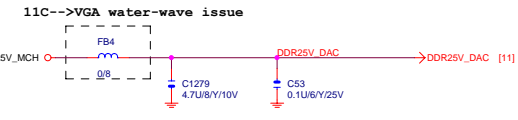
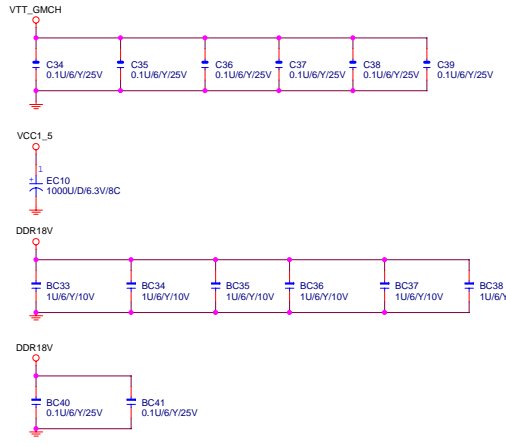
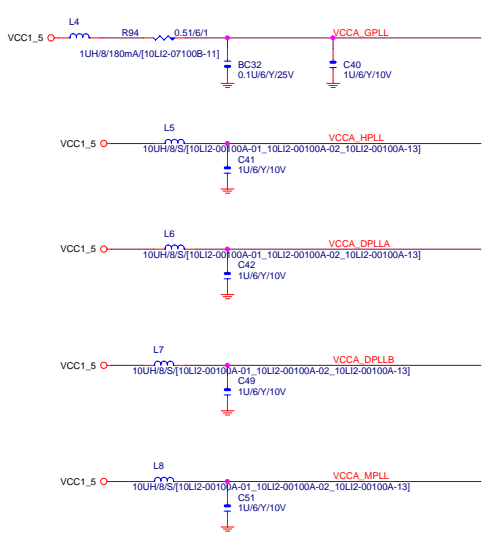
Gigabyte Technology

GMCH-GND

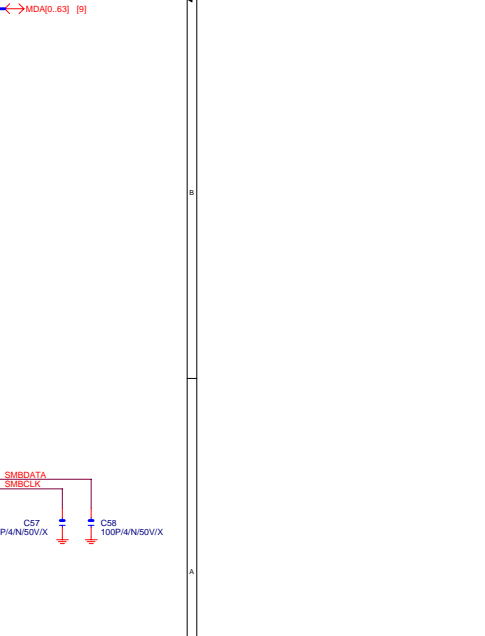
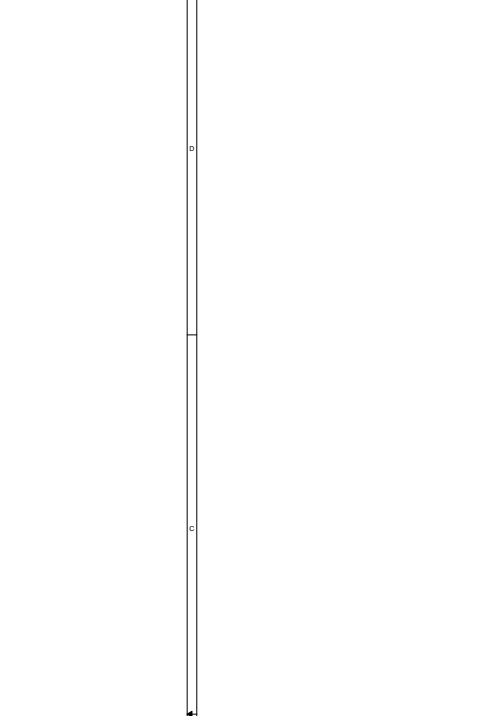
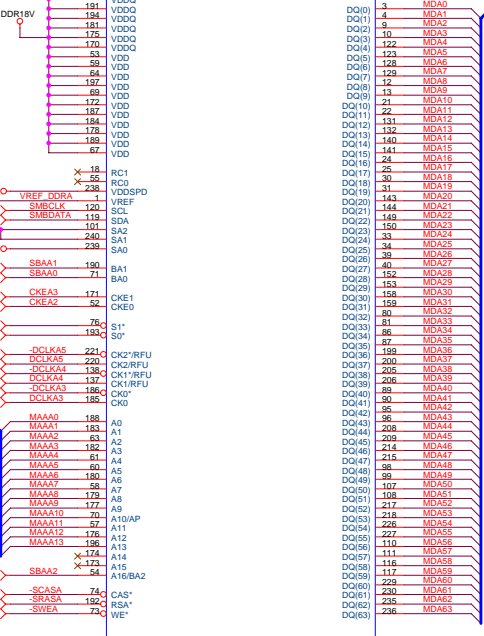
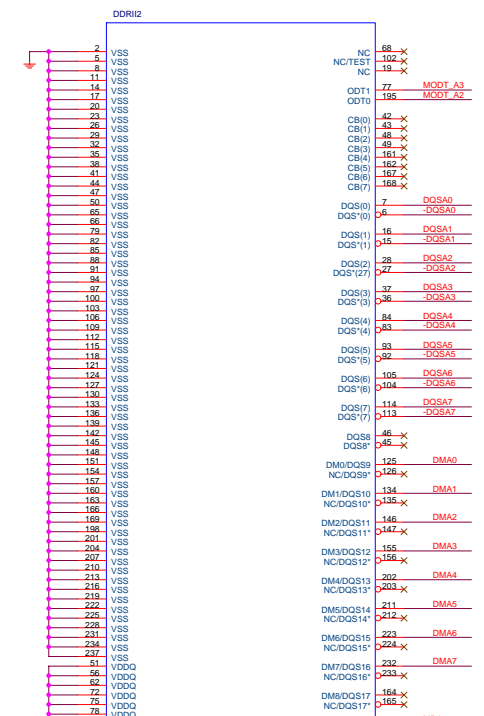
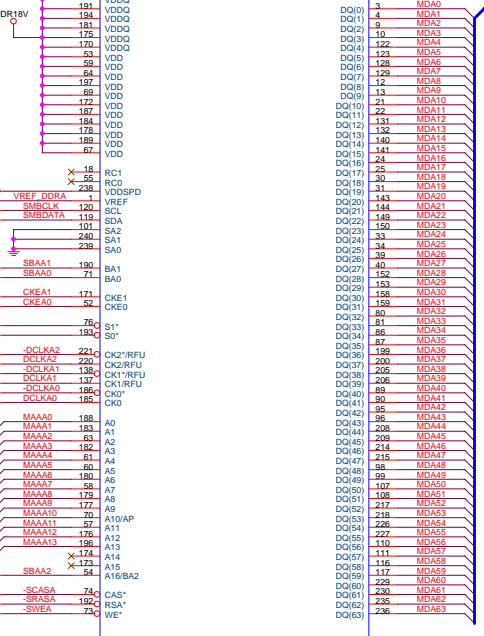
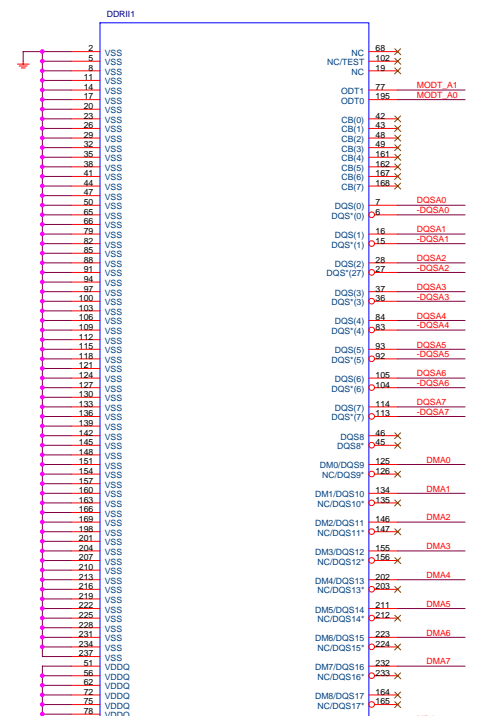
Size	Document Number	Rev
Custom	81945AEF-RH	1.1
Date:	Tuesday, November 29, 2005	Sheet 12 of 34

VCC1_5	N17	VCC	BB16	DDR18V
	P18	VCC	AW15	
	P19	VCC	BB42	
	P20	VCC	BB43	
	P21	VCC	BC18	
	AA22	VCC	VCCSM	BC22
	AB21	VCC	VCCSM	BC22
	AB22	VCC	VCCSM	BC26
	AB23	VCC	VCCSM	BB20
	AC22	VCC	VCCSM	AW24
	AD14	VCC	VCCSM	BB26
	AF6	VCC	VCCSM	BC31
	AF7	VCC	VCCSM	BB38
	AF8	VCC	VCCSM	BB33
	AF9	VCC	VCCSM	BB28
	AF10	VCC	VCCSM	BB24
	AF11	VCC	VCCSM	AW25
	AF12	VCC	VCCSM	AW31
	AF13	VCC	VCCSM	AW34
	AF14	VCC	VCCSM	AX41
	AG30	VCC	VCCSM	AW42
	AG2	VCC	VCCSM	AV23
	AG3	VCC	VCCSM	AV18
	AG4	VCC	VCCSM	BC40
	AG5	VCC	VCCSM	AW38
	AG6	VCC	VCCSM	AX43
	AG7	VCC	VCCSM	AW20
	AG8	VCC	VCCSM	AW12
	AG9	VCC	VCCSM	AW13
	AG10	VCC	VCCSM	AW21
	AG11	VCC		
	AG12	VCC		
	AG13	VCC		
	AG14	VCC		
	AH1	VCC	VTT	C23
	AH2	VCC	VTT	G23
	AH3	VCC	VTT	P23
	AH4	VCC	VTT	E23
	AJ5	VCC	VTT	D23
	AJ13	VCC	VTT	D24
	AJ14	VCC	VTT	D25
	AK3	VCC	VTT	B25
	AK4	VCC	VTT	B24
	AK14	VCC	VTT	B26
	AK15	VCC	VTT	H23
	AK20	VCC	VTT	E23
	R17	VCC	VTT	K23
	R18	VCC	VTT	L23
	R20	VCC	VTT	M23
	R21	VCC	VTT	E24
	R23	VCC	VTT	N23
	R24	VCC	VTT	A24
	U15	VCC	VTT	F27
	U17	VCC	VTT	E27
	U18	VCC	VTT	E26
	U19	VCC	VTT	C25
	U20	VCC	VTT	C26
	U21	VCC		
	U22	VCC		
	U23	VCC		
	U24	VCC		
	U25	VCC		
	U26	VCC		
	V15	VCC	VCCA_DPLL	B19
	V17	VCC	VCCA_DPLL	B20
	V18	VCC	VCCA_DPLL	C21
	V19	VCC	VCCA_DPLL	C19
	V20	VCC	VCCA_DPLL	B18
	V21	VCC	VCCA_DPLL	C18
	V22	VCC	VCCA_DPLL	D18
	V23	VCC	VCCA_DPLL	B17
	V25	VCC	VCCA_DPLL	A18
	V27	VCC	VCCA_DPLL	
	W17	VCC	VCCA_DPLL	
	W18	VCC	VCCA_DPLL	
	W19	VCC	VCCA_DPLL	
	W20	VCC	VCCA_DPLL	
	W22	VCC	VCCA_DPLL	
	W24	VCC	VCCA_DPLL	
	W26	VCC	VCCA_DPLL	
	W27	VCC	VCCA_DPLL	
	Y15	VCC	VCCA_DPLL	
	Y17	VCC	VCCA_DPLL	
	Y18	VCC	VCCA_DPLL	
	Y19	VCC	VCCA_DPLL	
	Y21	VCC	VCCA_DPLL	
	Y23	VCC	VCCA_DPLL	
	Y25	VCC	VCCA_DPLL	
	Y27	VCC	VCCA_DPLL	
	AA15	VCC	VCCA_DPLL	
	AA17	VCC	VCCA_DPLL	
	AA18	VCC	VCCA_DPLL	
	AA19	VCC	VCCA_DPLL	
	AA20	VCC	VCCA_DPLL	
	AA24	VCC	VCCA_DPLL	
	AA26	VCC	VCCA_DPLL	
	AB17	VCC	VCCA_DPLL	
	AB18	VCC	VCCA_DPLL	
	AB19	VCC	VCCA_DPLL	
	AB20	VCC	VCCA_DPLL	
	AB24	VCC	VCCA_DPLL	
	AB25	VCC	VCCA_DPLL	
	AB27	VCC	VCCA_DPLL	
	AC15	VCC	VCCA_DPLL	
	AC17	VCC	VCCA_DPLL	
	AC18	VCC	VCCA_DPLL	
	AC20	VCC	VCCA_DPLL	
	AC24	VCC	VCCA_DPLL	
	AC26	VCC	VCCA_DPLL	
	AC27	VCC	VCCA_DPLL	
	AD15	VCC	VCCA_DPLL	
	AD17	VCC	VCCA_DPLL	
	AD19	VCC	VCCA_DPLL	
	AD21	VCC	VCCA_DPLL	
	AD23	VCC	VCCA_DPLL	
	AD25	VCC	VCCA_DPLL	
	AD26	VCC	VCCA_DPLL	
	AE17	VCC	VCCA_DPLL	
	AE18	VCC	VCCA_DPLL	
	AE20	VCC	VCCA_DPLL	
	AE22	VCC	VCCA_DPLL	
	AE24	VCC	VCCA_DPLL	
	AE26	VCC	VCCA_DPLL	
	AE27	VCC	VCCA_DPLL	
	AE15	VCC	VCCA_DPLL	
	AE17	VCC	VCCA_DPLL	
	AE19	VCC	VCCA_DPLL	
	AE21	VCC	VCCA_DPLL	
	AE23	VCC	VCCA_DPLL	
	AE25	VCC	VCCA_DPLL	
	AE26	VCC	VCCA_DPLL	
	AE27	VCC	VCCA_DPLL	
	AE15	VCC	VCCA_DPLL	
	AE17	VCC	VCCA_DPLL	
	AE19	VCC	VCCA_DPLL	
	AG15	VCC	VCCA_DPLL	
	AG17	VCC	VCCA_DPLL	
	AG18	VCC	VCCA_DPLL	
	AG19	VCC	VCCA_DPLL	
	AG20	VCC	VCCA_DPLL	
	AG21	VCC	VCCA_DPLL	
	AG22	VCC	VCCA_DPLL	
	AG23	VCC	VCCA_DPLL	
	AG24	VCC	VCCA_DPLL	
	AJ15	VCC	VCCA_DPLL	
	AJ17	VCC	VCCA_DPLL	
	AJ18	VCC	VCCA_DPLL	
	AJ20	VCC	VCCA_DPLL	

945G/A2ACER[10HB1-033000-23R]



Gigabyte Technology		
Title: GMCH-PWR		
Size: Custom	Document Number: 81945AEF-RH	Rev: 1.1
Date: Tuesday, November 29, 2005	Sheet: 13	of 34

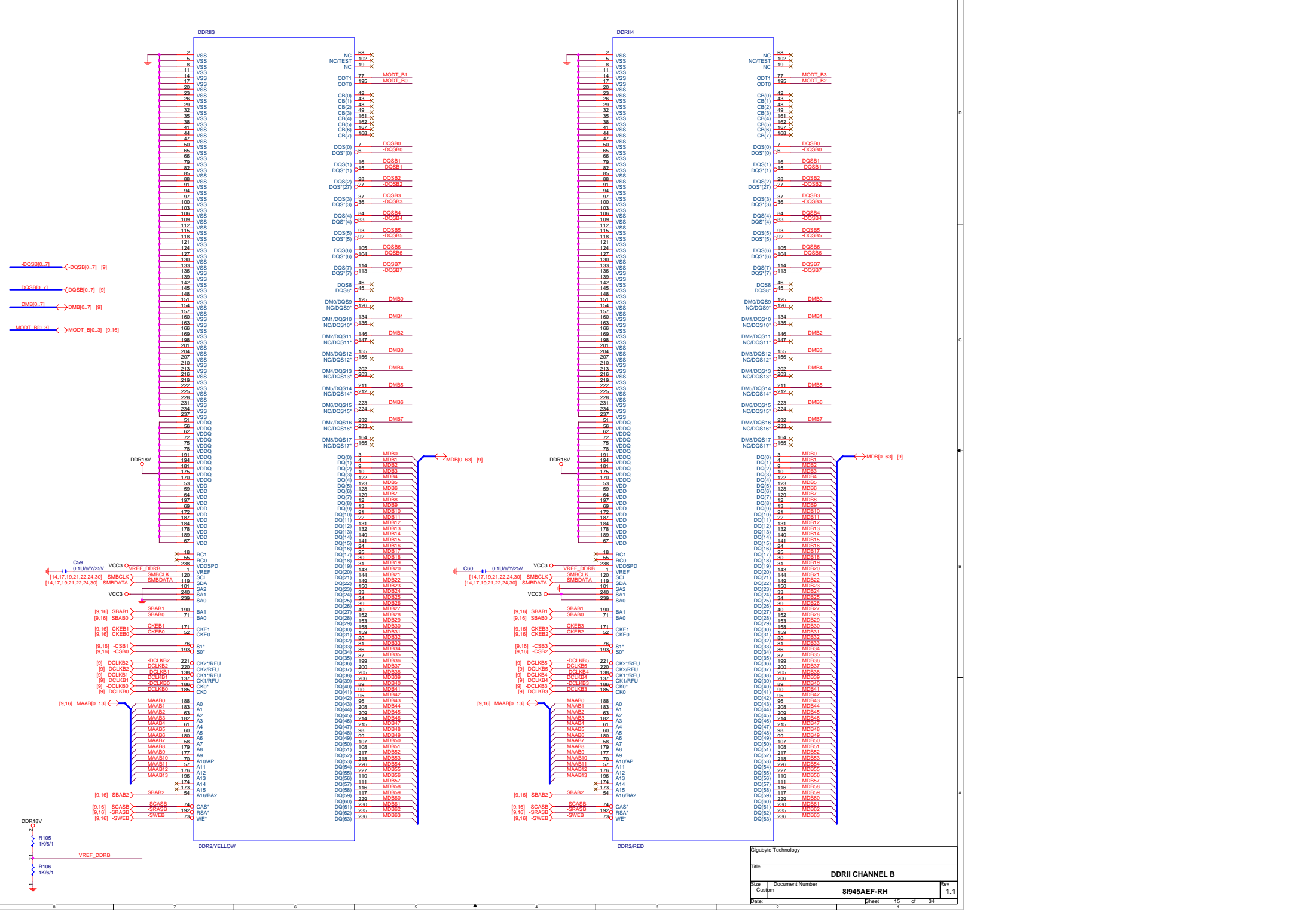


C55
0.1uF/5V25V
VCC3
VREF DDRA
SMBCLK
SMBDATA

C56
0.1uF/5V25V
VCC3
VREF DDRA
SMBCLK
SMBDATA

C57
100P4/N50V/X
C58
00P4/N50V/X

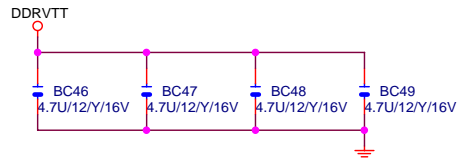
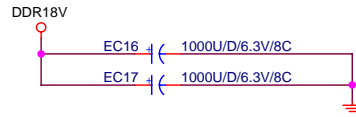
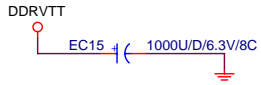
Sigabyte Technology	
Title	
DDRII CHANNEL A	
Size	Document Number
Customer	81945AEF-RH
Date	Rev
	1.1



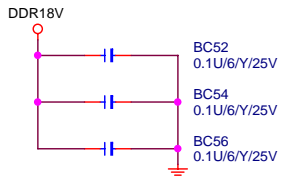
Sigabyte Technology		
Title	DDRII CHANNEL B	
Size	Document Number	Rev
Customer	81945AEF-RH	1.1
Date	Sheet	15 of 34

DDR TERMINATION CHANNEL A

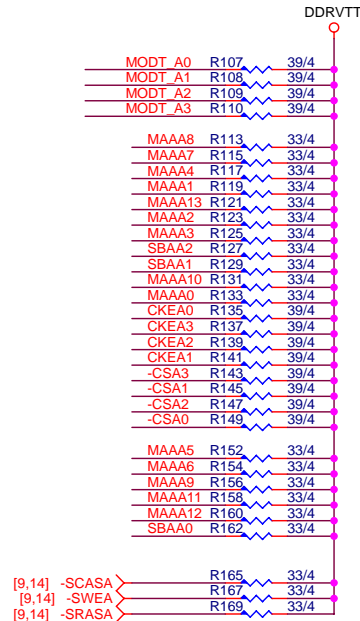
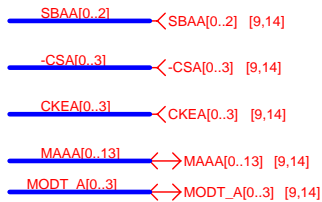
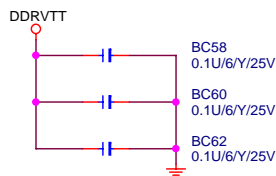
DDRVTT Decouple



DDR18V Decouple

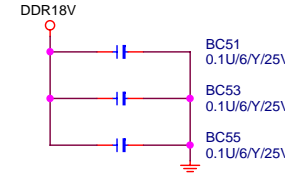


DDRVTT Decouple

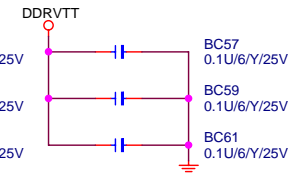


DDR TERMINATION CHANNEL B

DDR18V Decouple

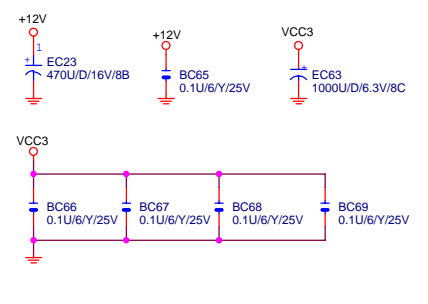


DDRVTT Decouple

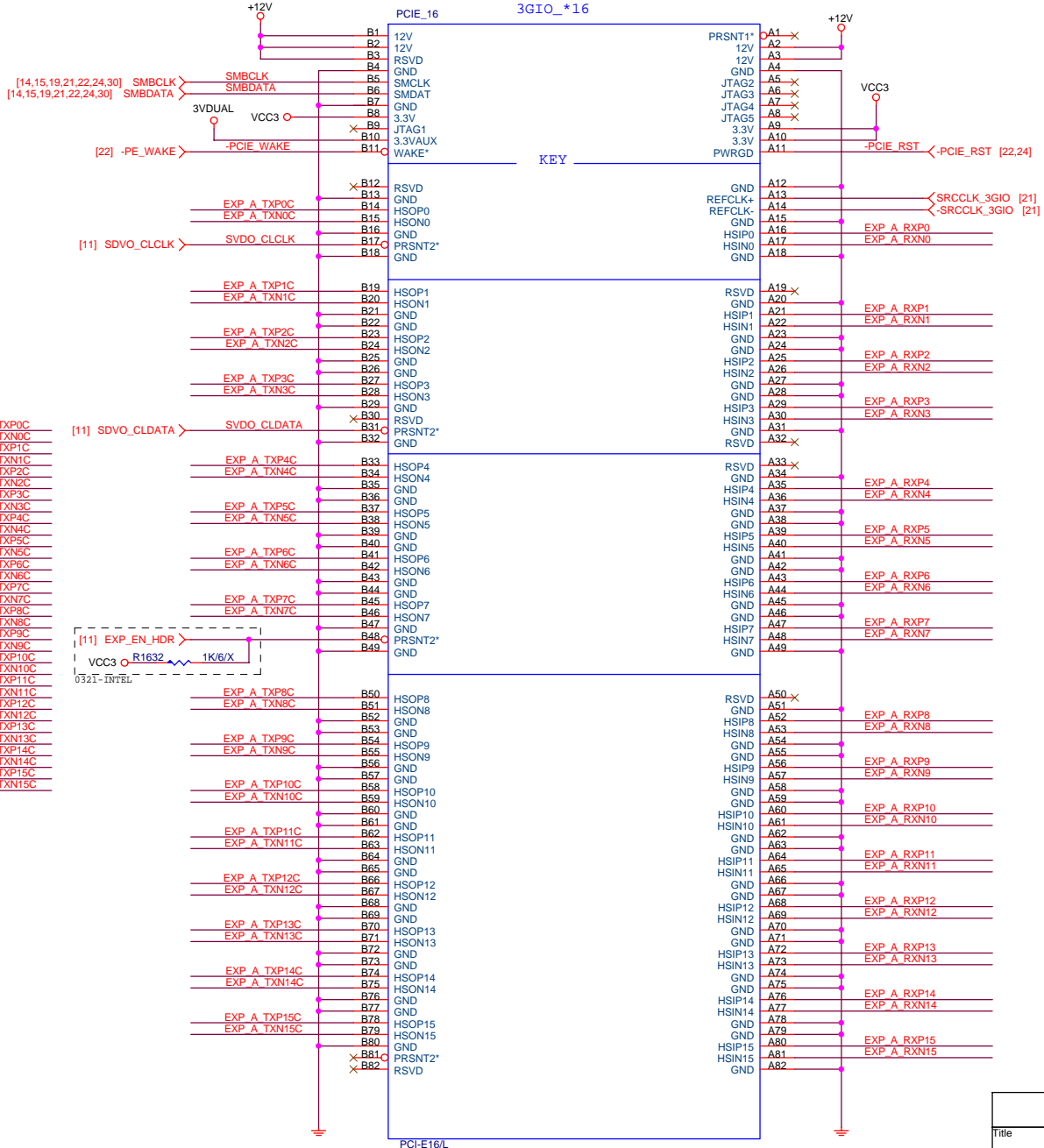


Gigabyte Technology

Title		
DDRII TERMINATOR		
Size	Document Number	Rev
Custom	8I945AEF-RH	1.1
Date:	Tuesday, November 29, 2005	Sheet 16 of 34

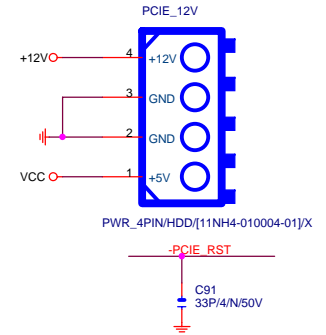
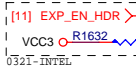


PCIESLOT-164DN-2

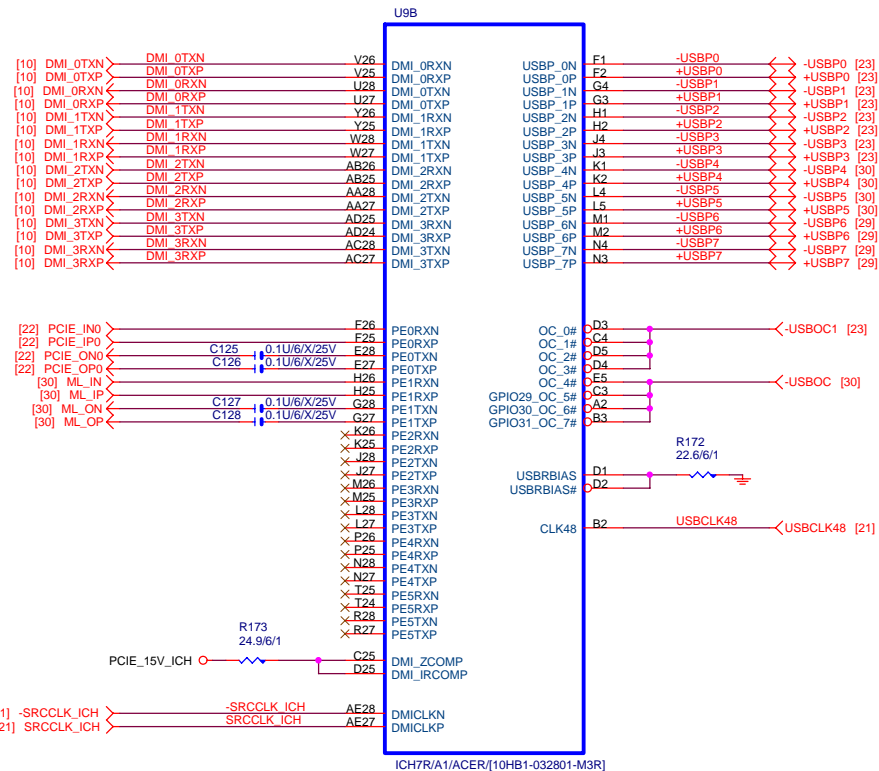
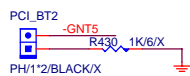
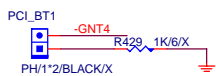
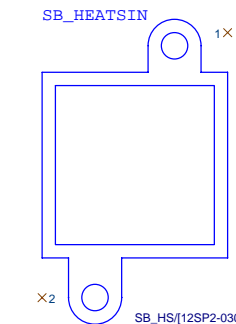
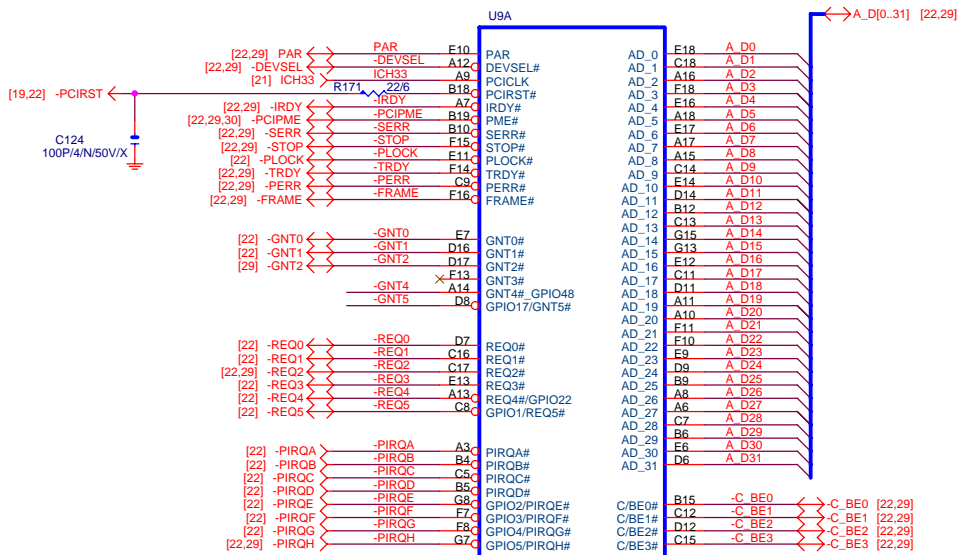


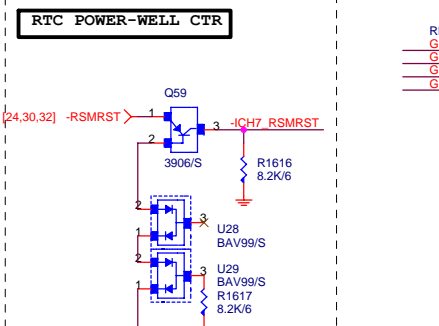
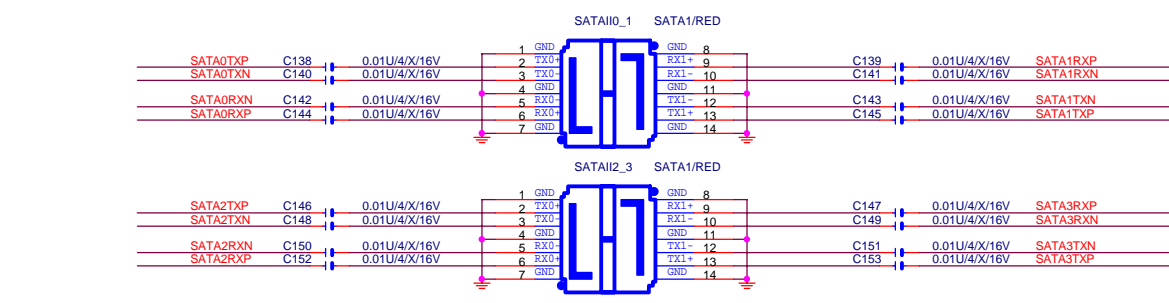
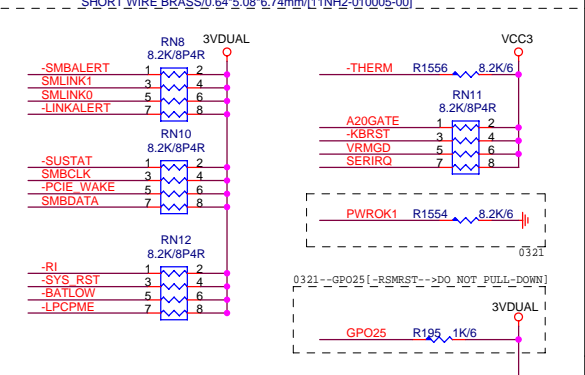
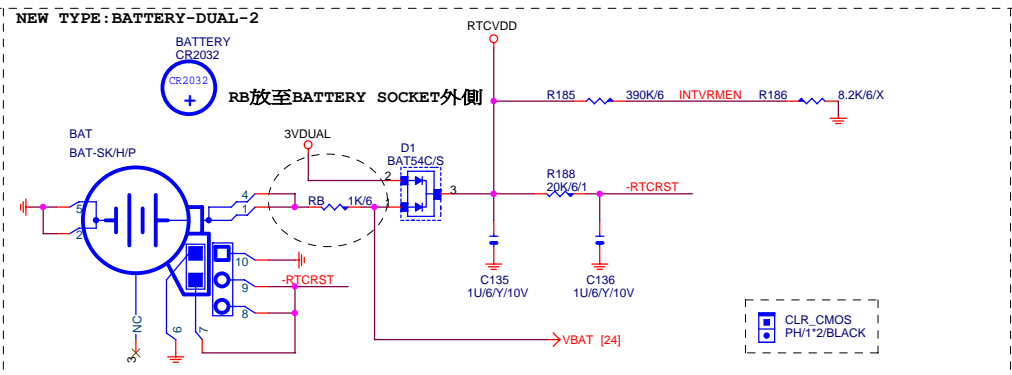
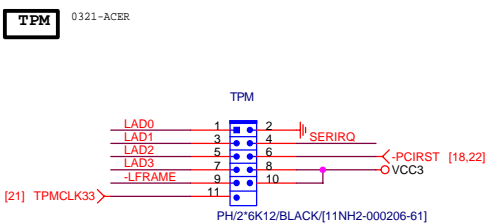
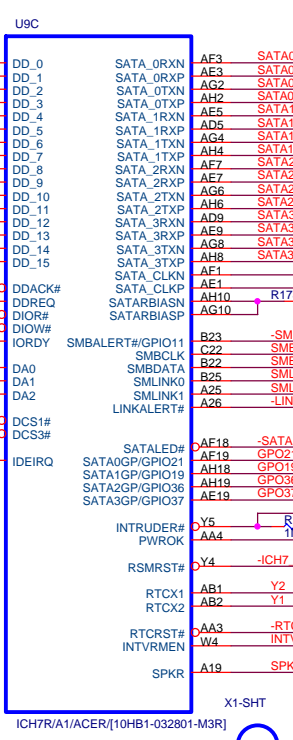
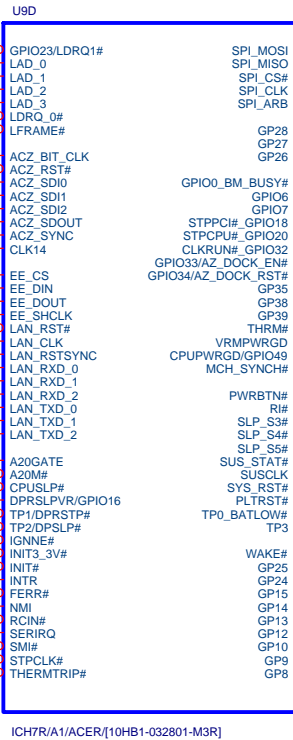
EXP A TXP[0..15] >>> EXP_A_TXP[0..15] [10]
 EXP A TXN[0..15] >>> EXP_A_TXN[0..15] [10]

EXP A TXP0	C92	0.1U/6V/25V	EXP A TXP0C
EXP A TXN0	C93	0.1U/6V/25V	EXP A TXN0C
EXP A TXP1	C94	0.1U/6V/25V	EXP A TXP1C
EXP A TXN1	C95	0.1U/6V/25V	EXP A TXN1C
EXP A TXP2	C96	0.1U/6V/25V	EXP A TXP2C
EXP A TXN2	C97	0.1U/6V/25V	EXP A TXN2C
EXP A TXP3	C98	0.1U/6V/25V	EXP A TXP3C
EXP A TXN3	C99	0.1U/6V/25V	EXP A TXN3C
EXP A TXP4	C100	0.1U/6V/25V	EXP A TXP4C
EXP A TXN4	C101	0.1U/6V/25V	EXP A TXN4C
EXP A TXP5	C102	0.1U/6V/25V	EXP A TXP5C
EXP A TXN5	C103	0.1U/6V/25V	EXP A TXN5C
EXP A TXP6	C104	0.1U/6V/25V	EXP A TXP6C
EXP A TXN6	C105	0.1U/6V/25V	EXP A TXN6C
EXP A TXP7	C106	0.1U/6V/25V	EXP A TXP7C
EXP A TXN7	C107	0.1U/6V/25V	EXP A TXN7C
EXP A TXP8	C108	0.1U/6V/25V	EXP A TXP8C
EXP A TXN8	C109	0.1U/6V/25V	EXP A TXN8C
EXP A TXP9	C110	0.1U/6V/25V	EXP A TXP9C
EXP A TXN9	C111	0.1U/6V/25V	EXP A TXN9C
EXP A TXP10	C112	0.1U/6V/25V	EXP A TXP10C
EXP A TXN10	C113	0.1U/6V/25V	EXP A TXN10C
EXP A TXP11	C114	0.1U/6V/25V	EXP A TXP11C
EXP A TXN11	C115	0.1U/6V/25V	EXP A TXN11C
EXP A TXP12	C116	0.1U/6V/25V	EXP A TXP12C
EXP A TXN12	C117	0.1U/6V/25V	EXP A TXN12C
EXP A TXP13	C118	0.1U/6V/25V	EXP A TXP13C
EXP A TXN13	C119	0.1U/6V/25V	EXP A TXN13C
EXP A TXP14	C120	0.1U/6V/25V	EXP A TXP14C
EXP A TXN14	C121	0.1U/6V/25V	EXP A TXN14C
EXP A TXP15	C122	0.1U/6V/25V	EXP A TXP15C
EXP A TXN15	C123	0.1U/6V/25V	EXP A TXN15C



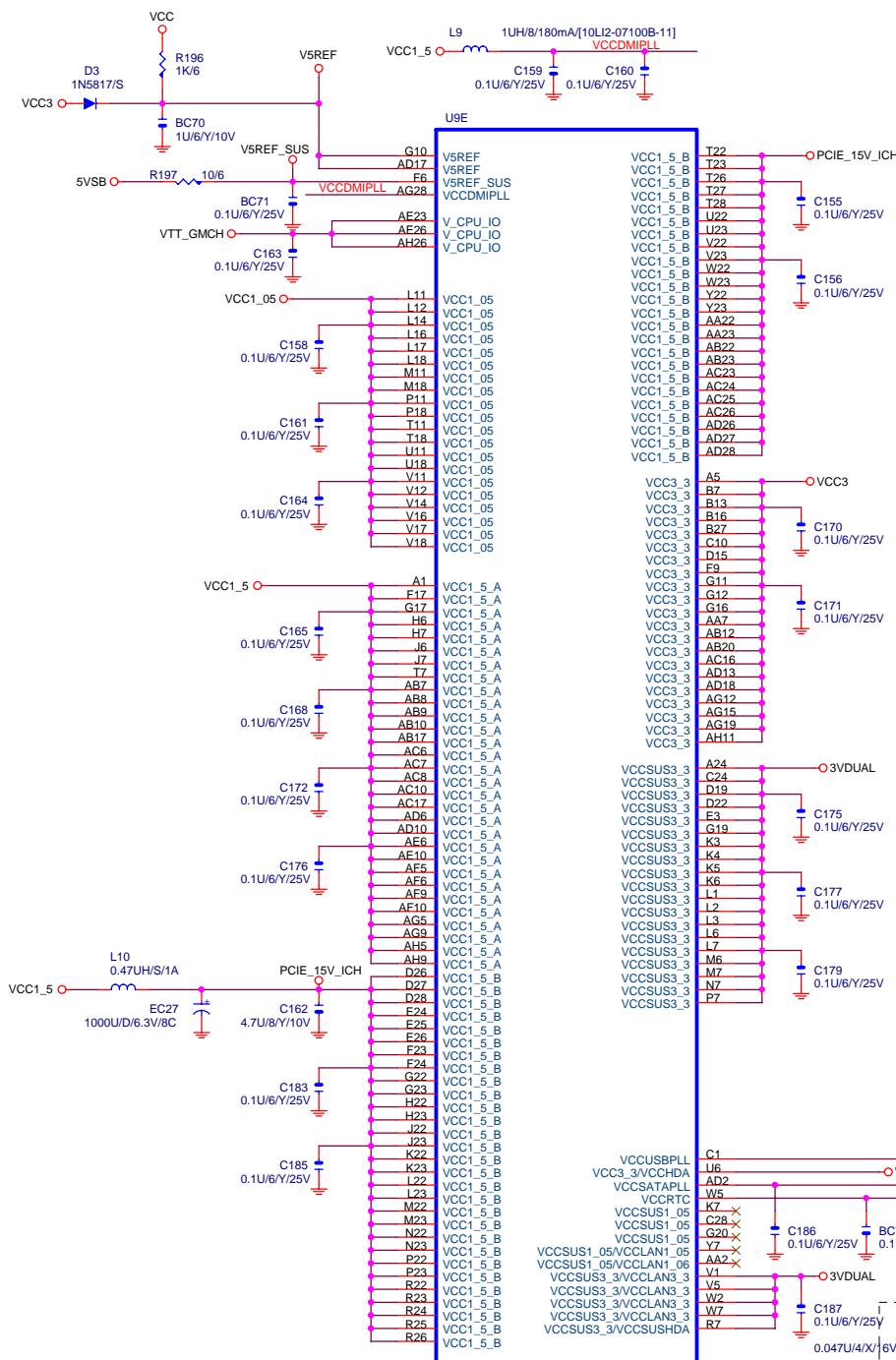
EXP A RXP[0..15] >>> EXP_A_RXP[0..15] [10]
 EXP A RXN[0..15] >>> EXP_A_RXN[0..15] [10]





U9F		
A4	VSS1	VSS101
A23	VSS2	VSS102
B1	VSS3	VSS103
B8	VSS4	VSS104
B11	VSS5	VSS105
B14	VSS6	VSS106
B17	VSS7	VSS107
B20	VSS8	VSS108
B26	VSS9	VSS109
B28	VSS10	VSS110
C2	VSS11	VSS111
C6	VSS12	VSS112
D10	VSS13	VSS113
D13	VSS14	VSS114
D18	VSS15	VSS115
D21	VSS16	VSS116
D24	VSS17	VSS117
F1	VSS18	VSS118
F2	VSS19	VSS119
F8	VSS20	VSS120
F15	VSS21	VSS121
F3	VSS22	VSS122
F4	VSS23	VSS123
F6	VSS24	VSS124
F12	VSS25	VSS125
F27	VSS26	VSS126
F28	VSS27	VSS127
G1	VSS28	VSS128
G2	VSS29	VSS129
G5	VSS30	VSS130
G6	VSS31	VSS131
G9	VSS32	VSS132
G14	VSS33	VSS133
G18	VSS34	VSS134
G21	VSS35	VSS135
G24	VSS36	VSS136
G25	VSS37	VSS137
G26	VSS38	VSS138
H3	VSS39	VSS139
H4	VSS40	VSS140
H5	VSS41	VSS141
H24	VSS42	VSS142
H27	VSS43	VSS143
H28	VSS44	VSS144
J1	VSS45	VSS145
J2	VSS46	VSS146
J5	VSS47	VSS147
J24	VSS48	VSS148
J25	VSS49	VSS149
J26	VSS50	VSS150
K24	VSS51	VSS151
K27	VSS52	VSS152
K28	VSS53	VSS153
L13	VSS54	VSS154
L15	VSS55	VSS155
L24	VSS56	VSS156
L25	VSS57	VSS157
L26	VSS58	VSS158
M3	VSS59	VSS159
M4	VSS60	VSS160
M5	VSS61	VSS161
M12	VSS62	VSS162
M13	VSS63	VSS163
M14	VSS64	VSS164
M15	VSS65	VSS165
M16	VSS66	VSS166
M17	VSS67	VSS167
M24	VSS68	VSS168
M27	VSS69	VSS169
M28	VSS70	VSS170
N1	VSS71	VSS171
N2	VSS72	VSS172
N5	VSS73	VSS173
N6	VSS74	VSS174
N11	VSS75	VSS175
N12	VSS76	VSS176
N13	VSS77	VSS177
N14	VSS78	VSS178
N15	VSS79	VSS179
N16	VSS80	VSS180
N17	VSS81	VSS181
N18	VSS82	VSS182
N24	VSS83	VSS183
N25	VSS84	VSS184
N26	VSS85	VSS185
P3	VSS86	VSS186
P4	VSS87	VSS187
P12	VSS88	VSS188
P13	VSS89	VSS189
P14	VSS90	VSS190
P15	VSS91	VSS191
P16	VSS92	VSS192
P17	VSS93	VSS193
P24	VSS94	VSS194
P27	VSS95	VSS195
P28	VSS96	VSS196
R1	VSS97	VSS197
R11	VSS98	VSS198
R12	VSS99	VSS199
R13	VSS100	VSS200

ICH7R/A1/ACER[10HB1-032801-M3R]

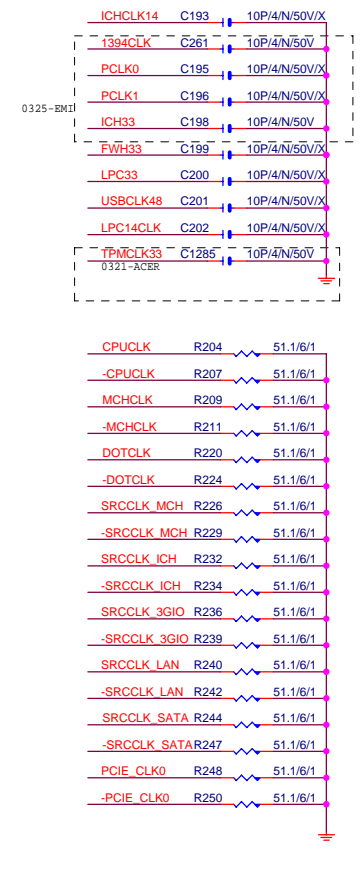
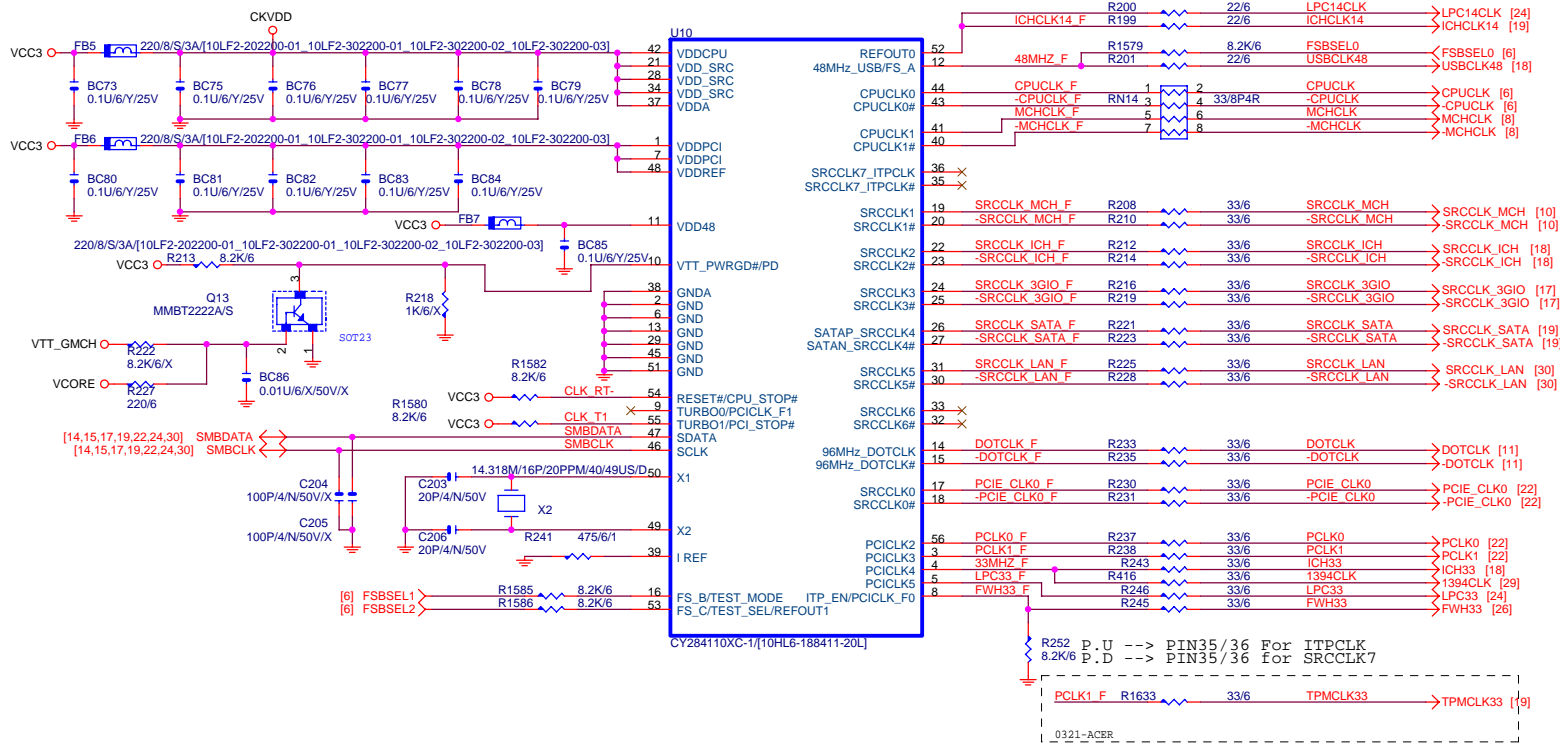


ICH7R/A1/ACER[10HB1-032801-M3R]



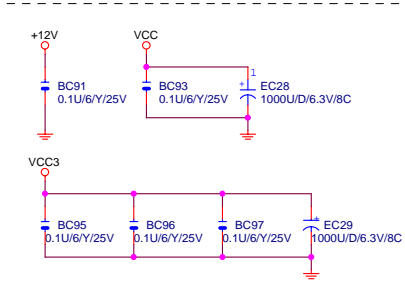
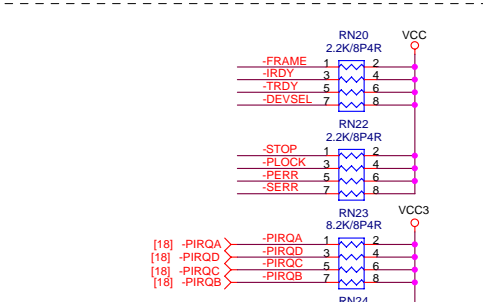
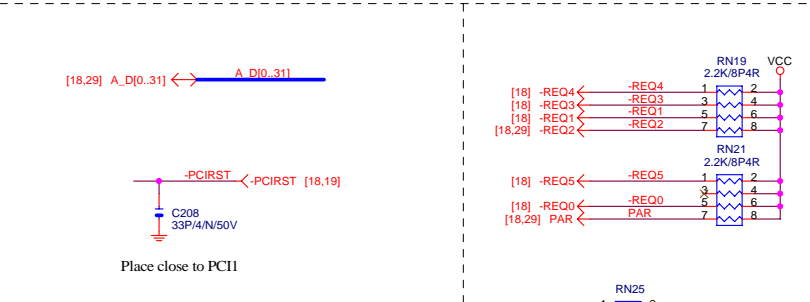
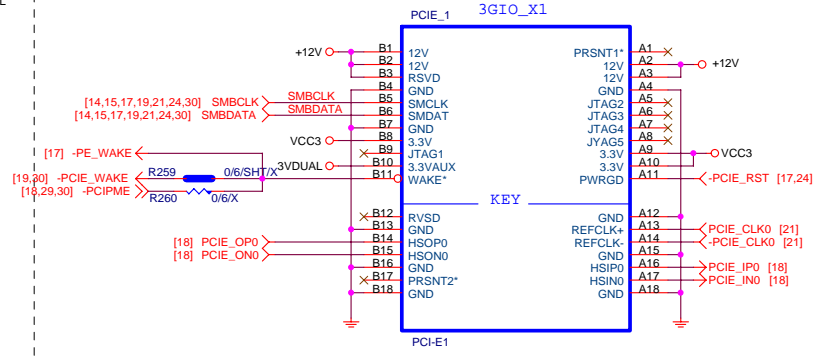
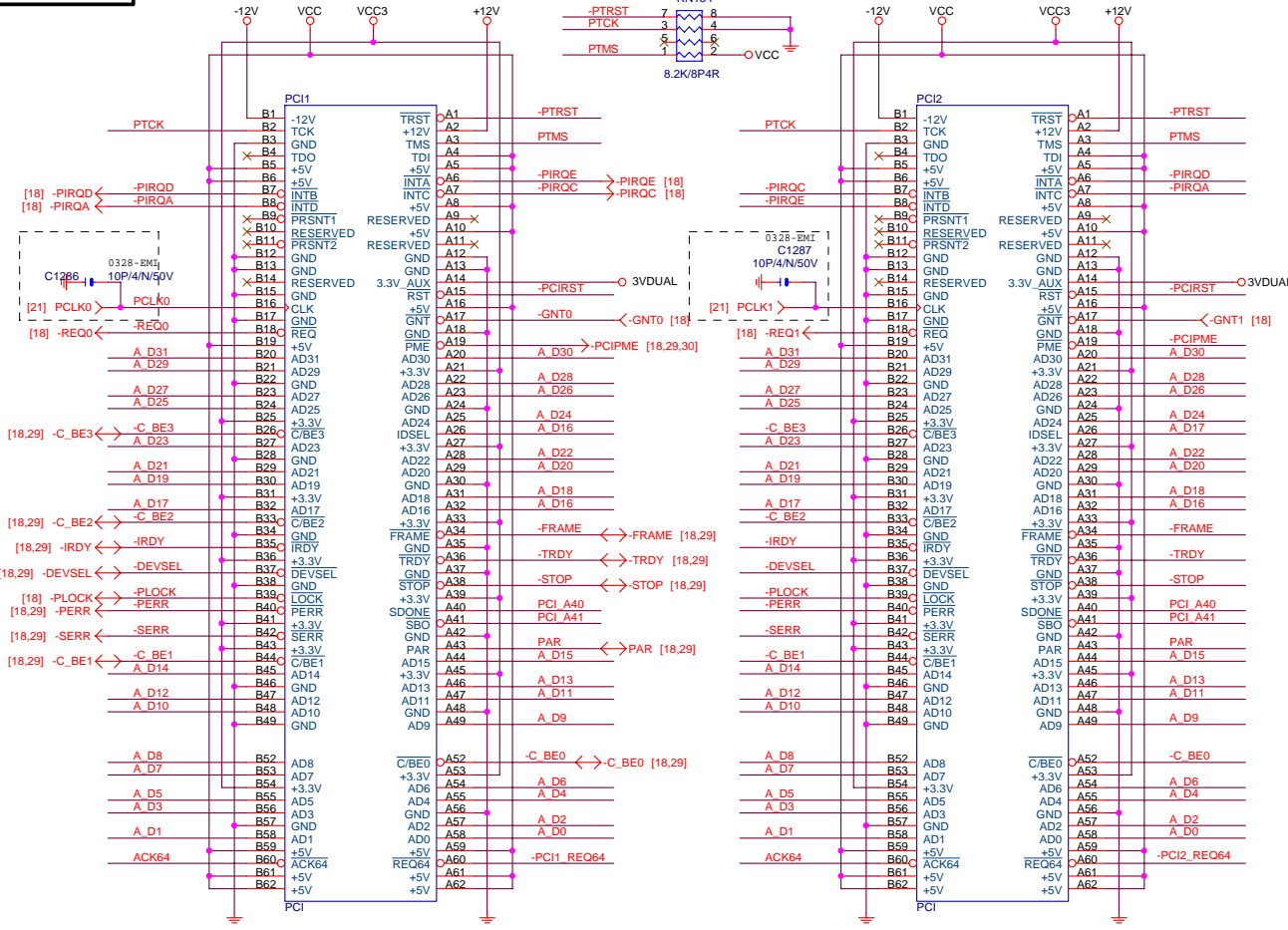
Gigabyte Technology

Title		
ICH6-PWR & GND		
Size	Document Number	Rev
B	81945AEF-RH	1.1
Date:	Tuesday, November 29, 2005	Sheet 20 of 34



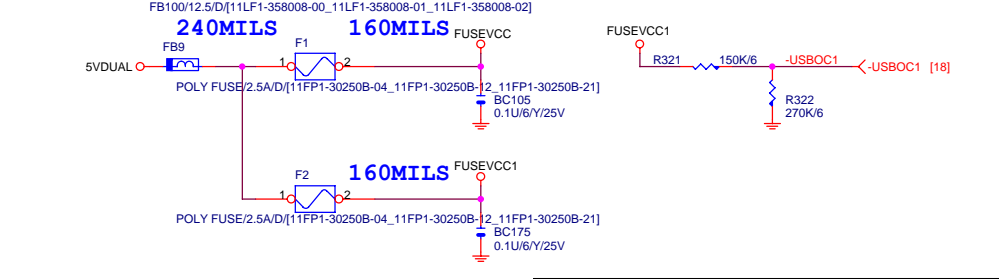
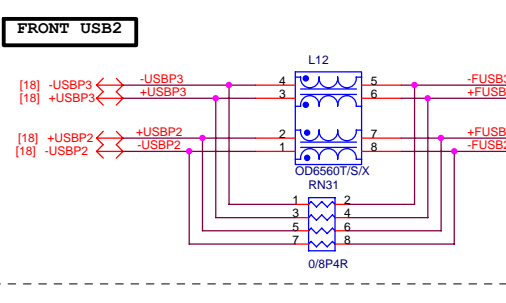
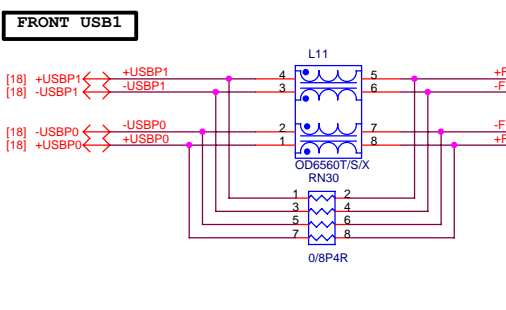
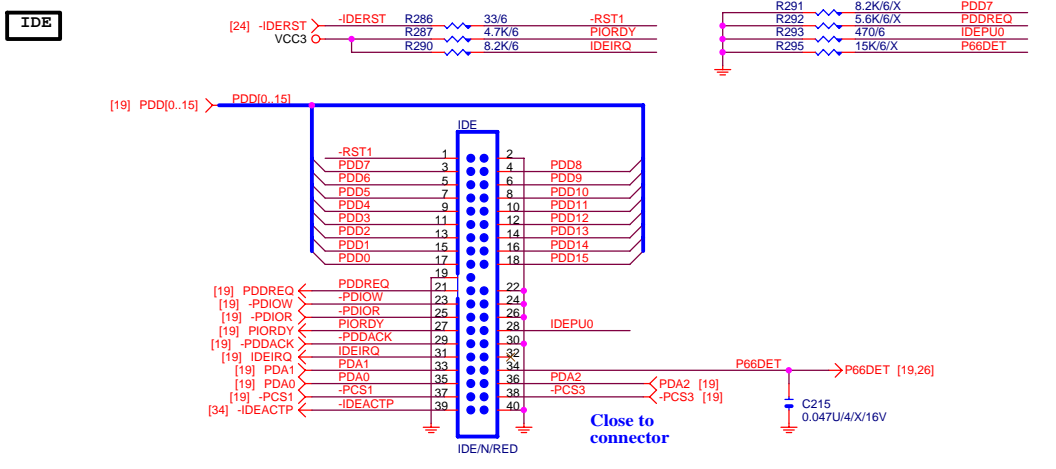
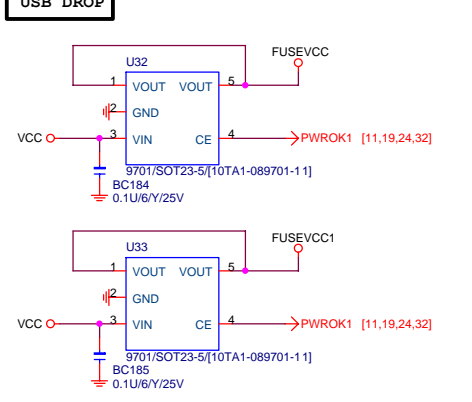
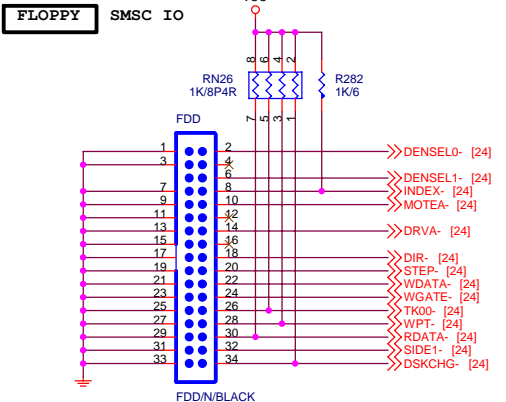
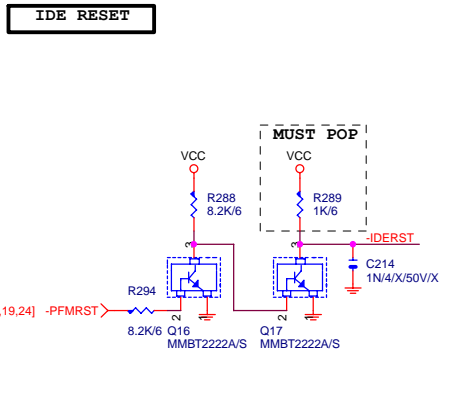
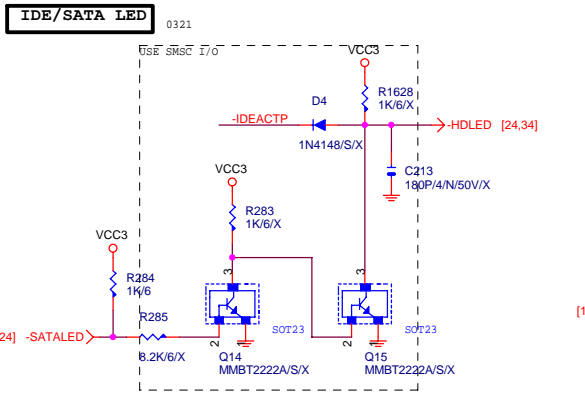
PCI1, 2 SLOT

PCIe*1

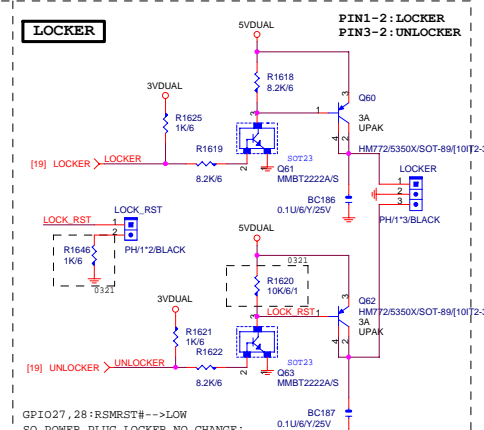
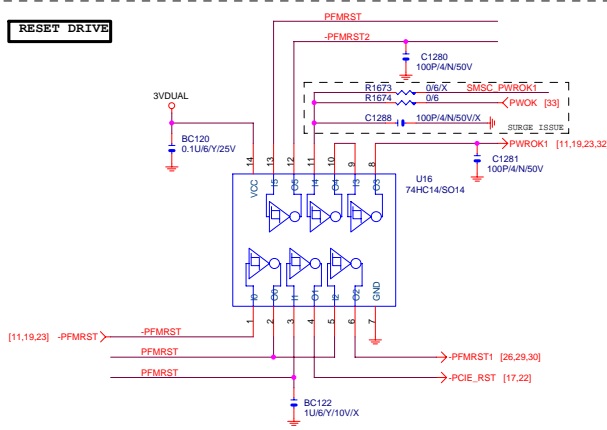
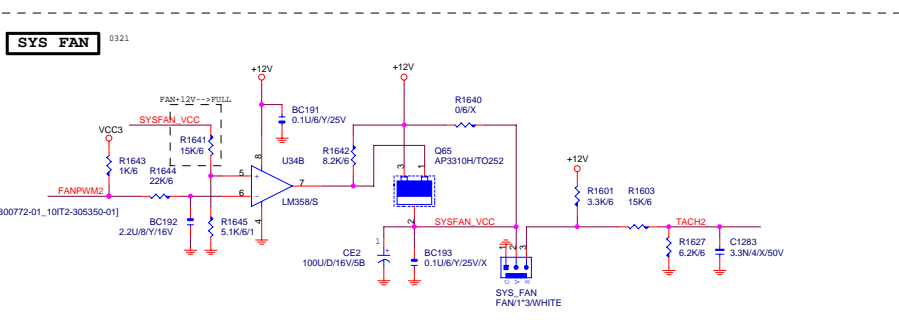
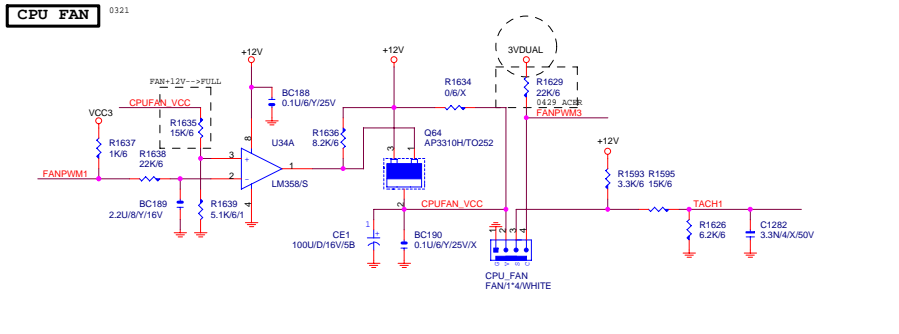
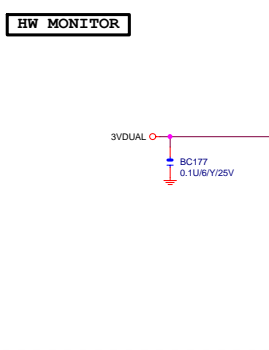
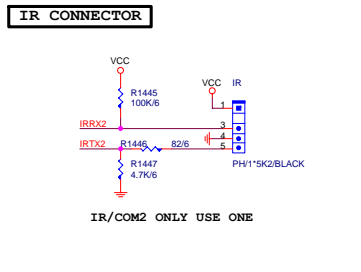
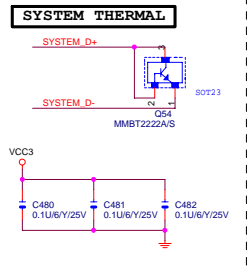
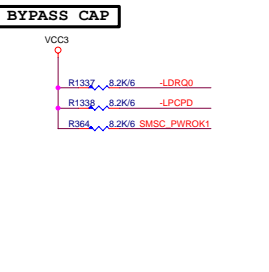
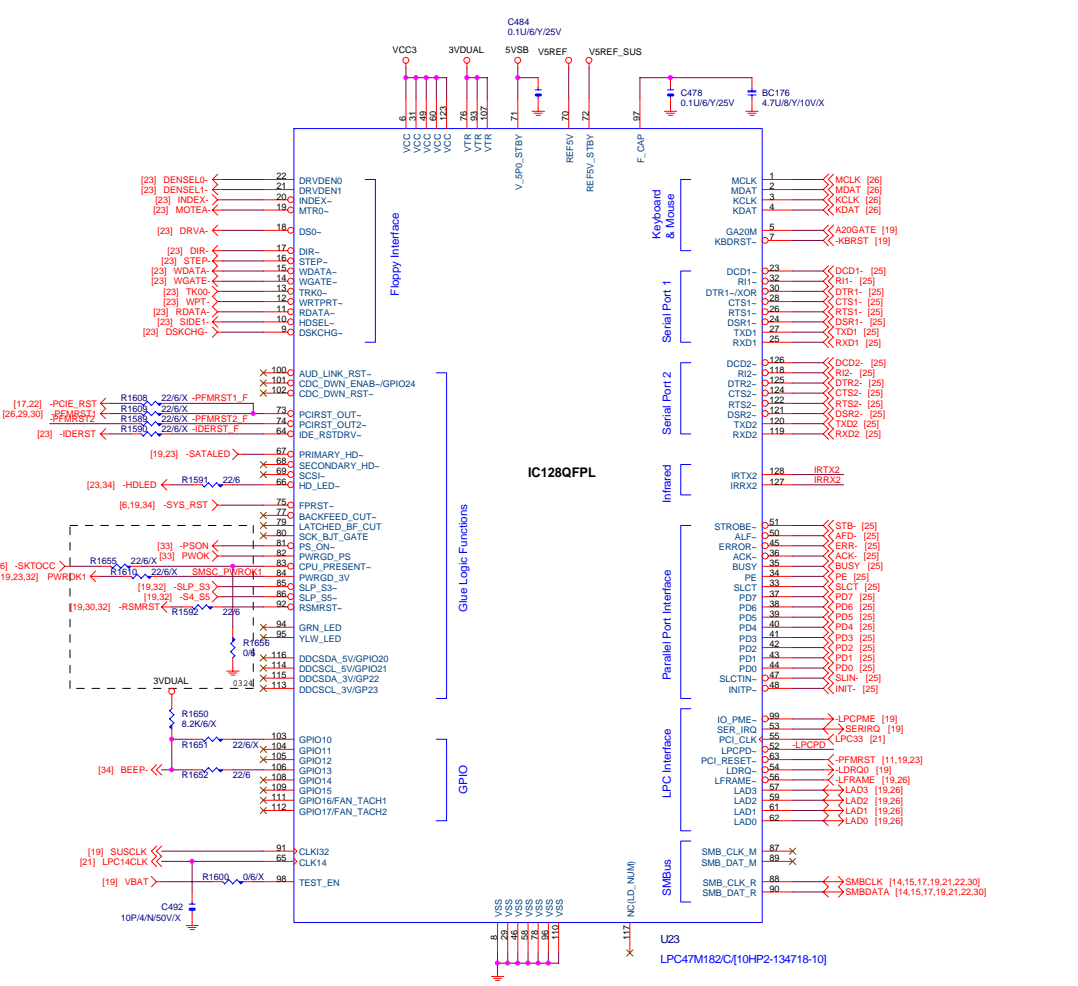


Gigabyte Technology

Title			PCI SLOT 1, 2/PCIEX1		
Size			81945AEF-RH		
Customer	Document Number		Rev	1.1	
Date:	Tuesday, November 29, 2005	Sheet	22	of 34	

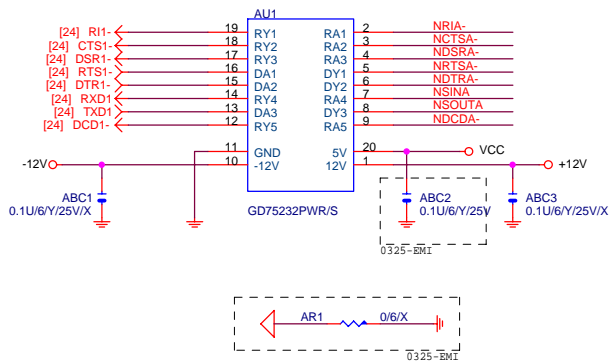


Gigabyte Technology		
IDE		
Title	IDE	
Size	Document Number	Rev
B	81945AEF-RH	1.1
Date:	Tuesday, November 29, 2005	Sheet 23 of 34

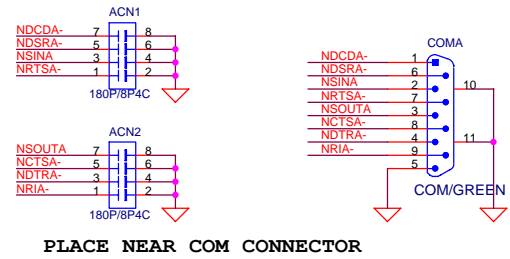


Gigabyte Technology			
File			
SMSC LPC I/O			
Size	Document Number	Rev	
C	81945AEF-RH	1.1	
Date	Tuesday, November 29, 2005	Sheet	24 of 34

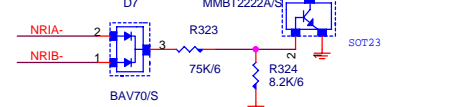
COMA



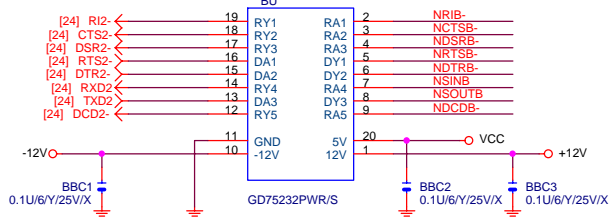
EXTERNAL COMA



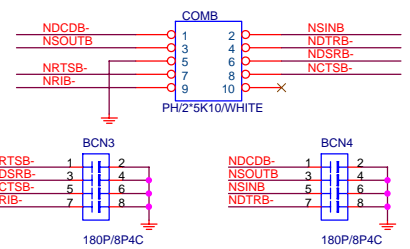
RING IN



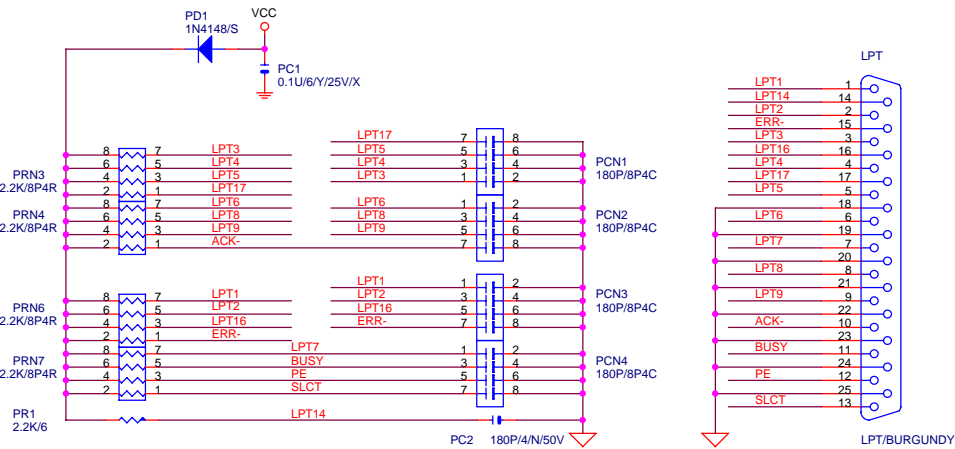
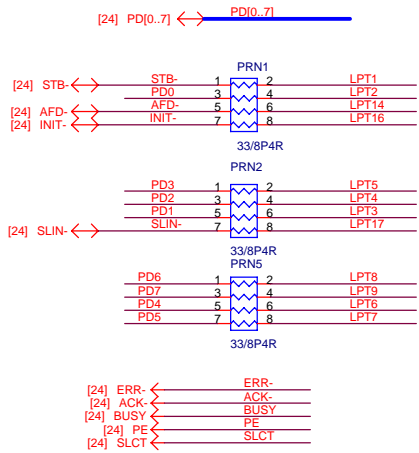
COMB



INTERNAL COMB

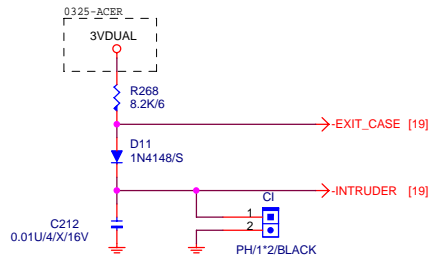


LPT PORT

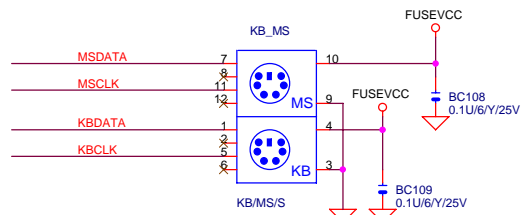
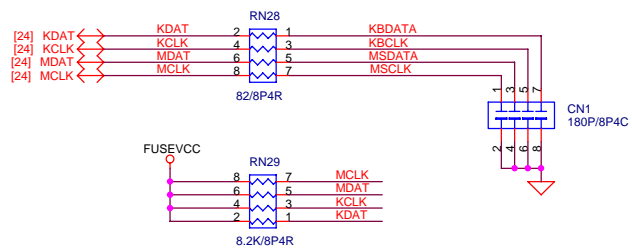


CASE OPEN

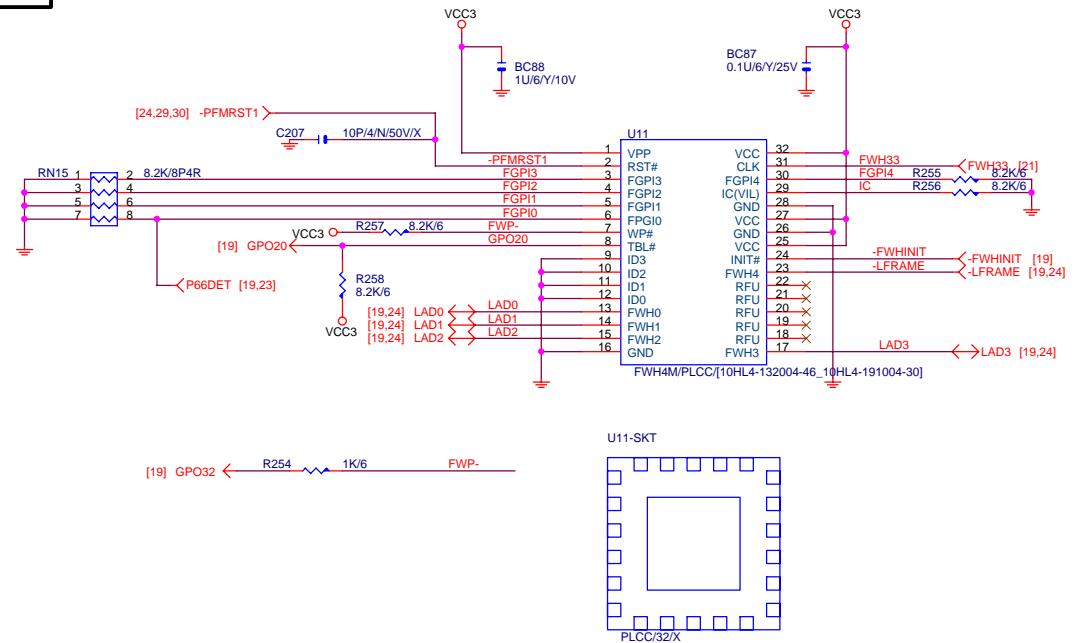
CASE OPEN=LOW;
CASE CLOSE=HI;



KB/MS



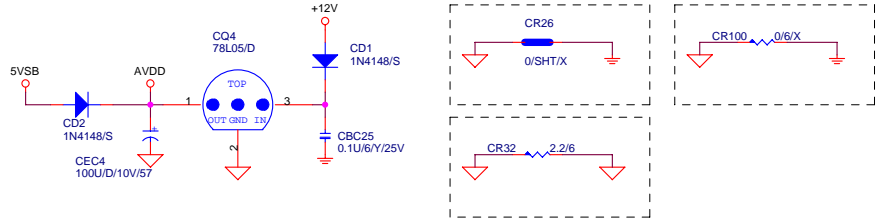
FWM BIOS



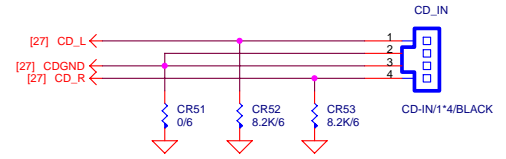
Gigabyte Technology

Title		BIOS/HW-MONITOR/CI/KB/MS	
Size	Document Number	81945AEF-RH	
B		Rev 1.1	
Date:	Tuesday, November 29, 2005	Sheet	26 of 34

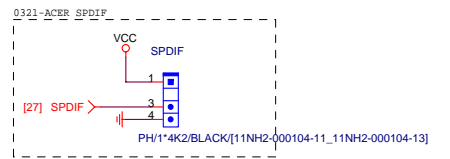
CODEC POWER/EMI PAD



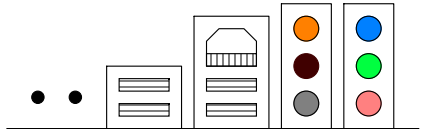
CD IN



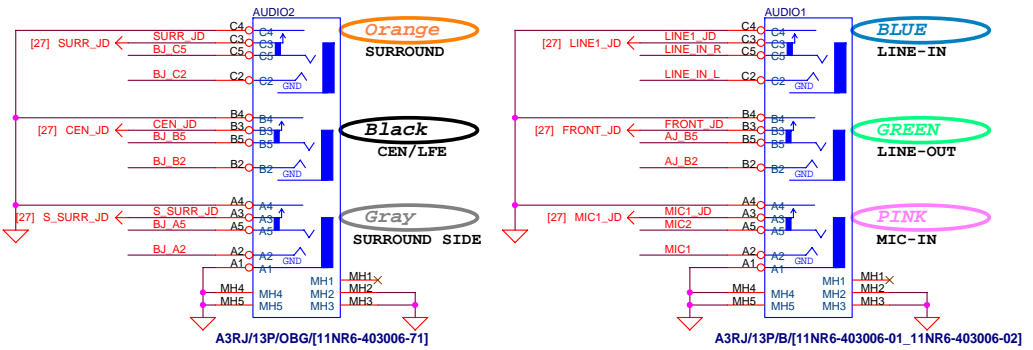
SPDIF



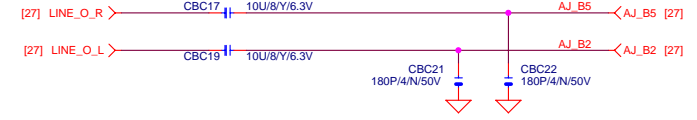
AZALIA JACK ACER REQUEST CHANGE LOCTION



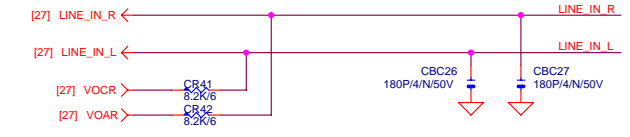
NEW TYPE: IBM_AUDIO-13P-1



LINE-OUT



LINE-IN



MIC-IN



SURROUND



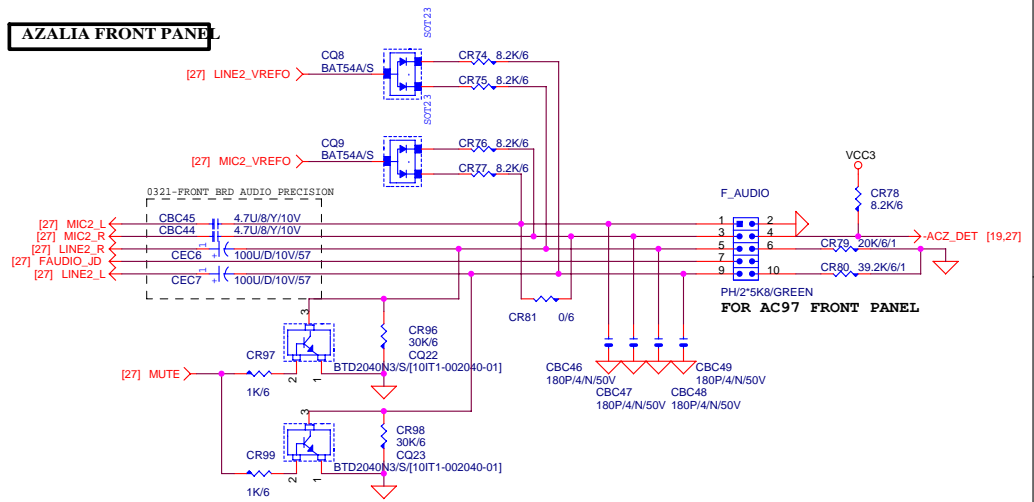
CEN/LFE



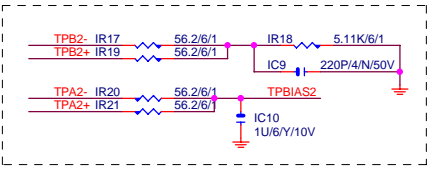
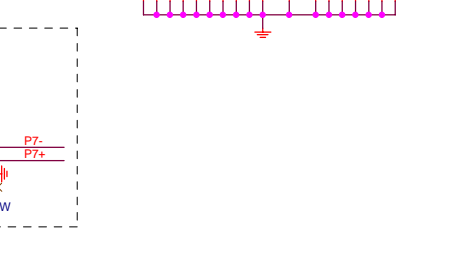
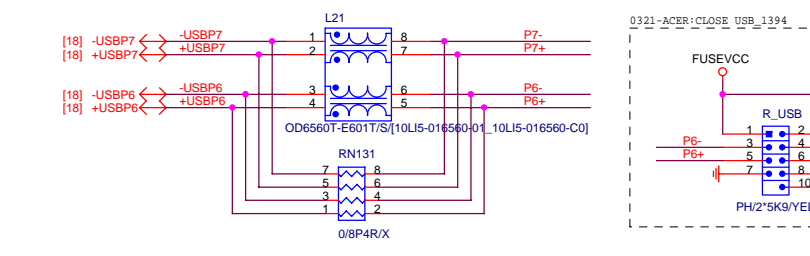
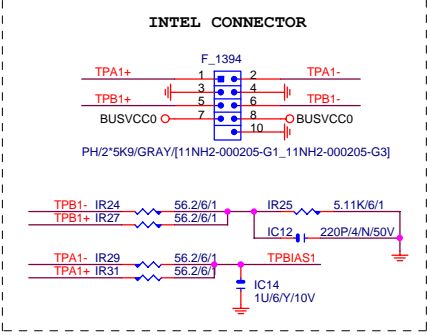
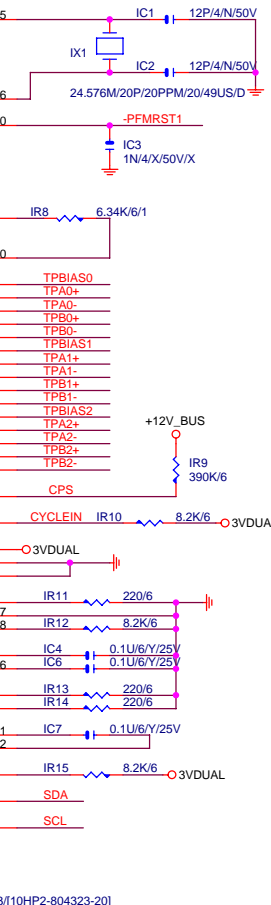
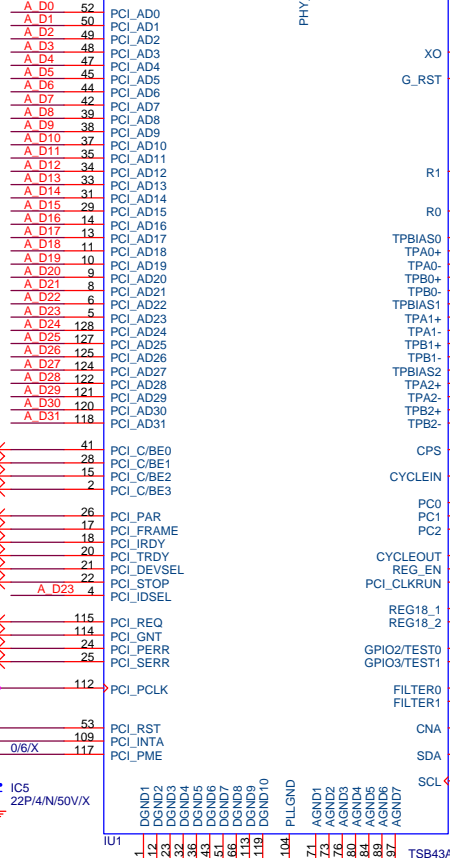
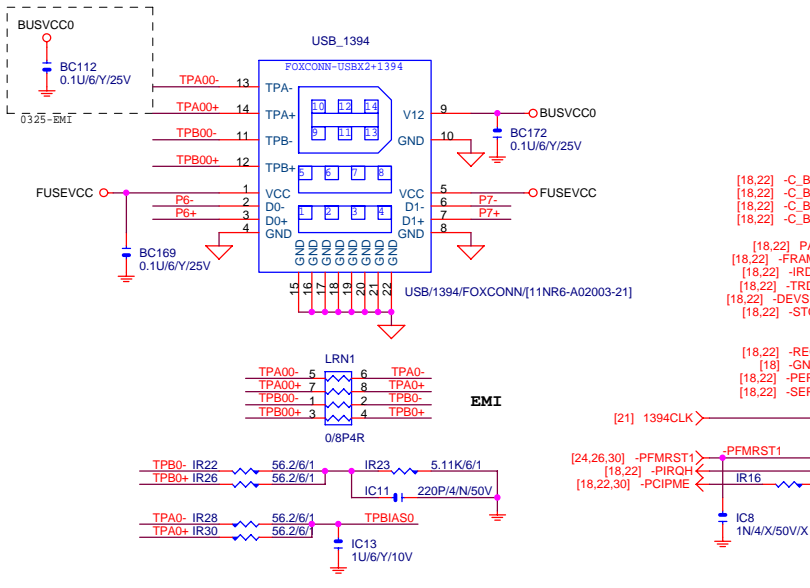
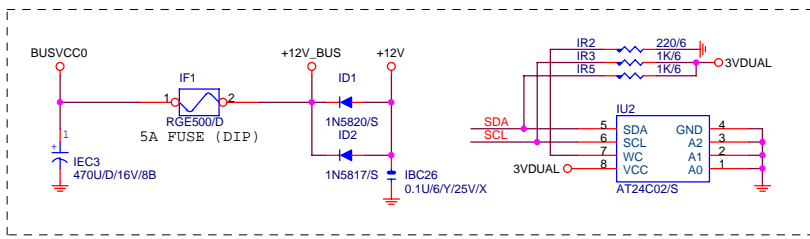
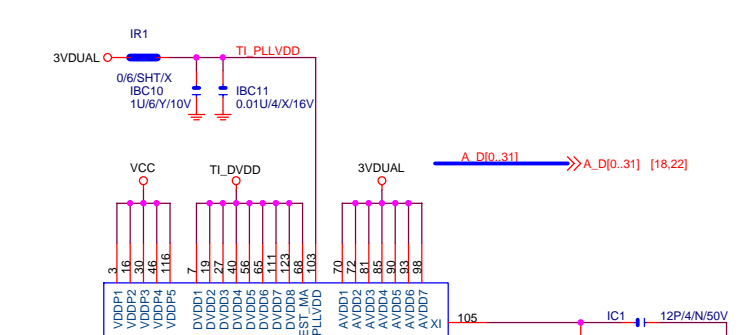
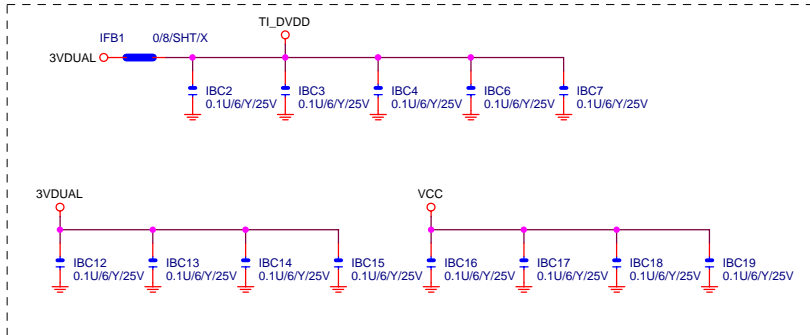
SURR BACK



AZALIA FRONT PANEL



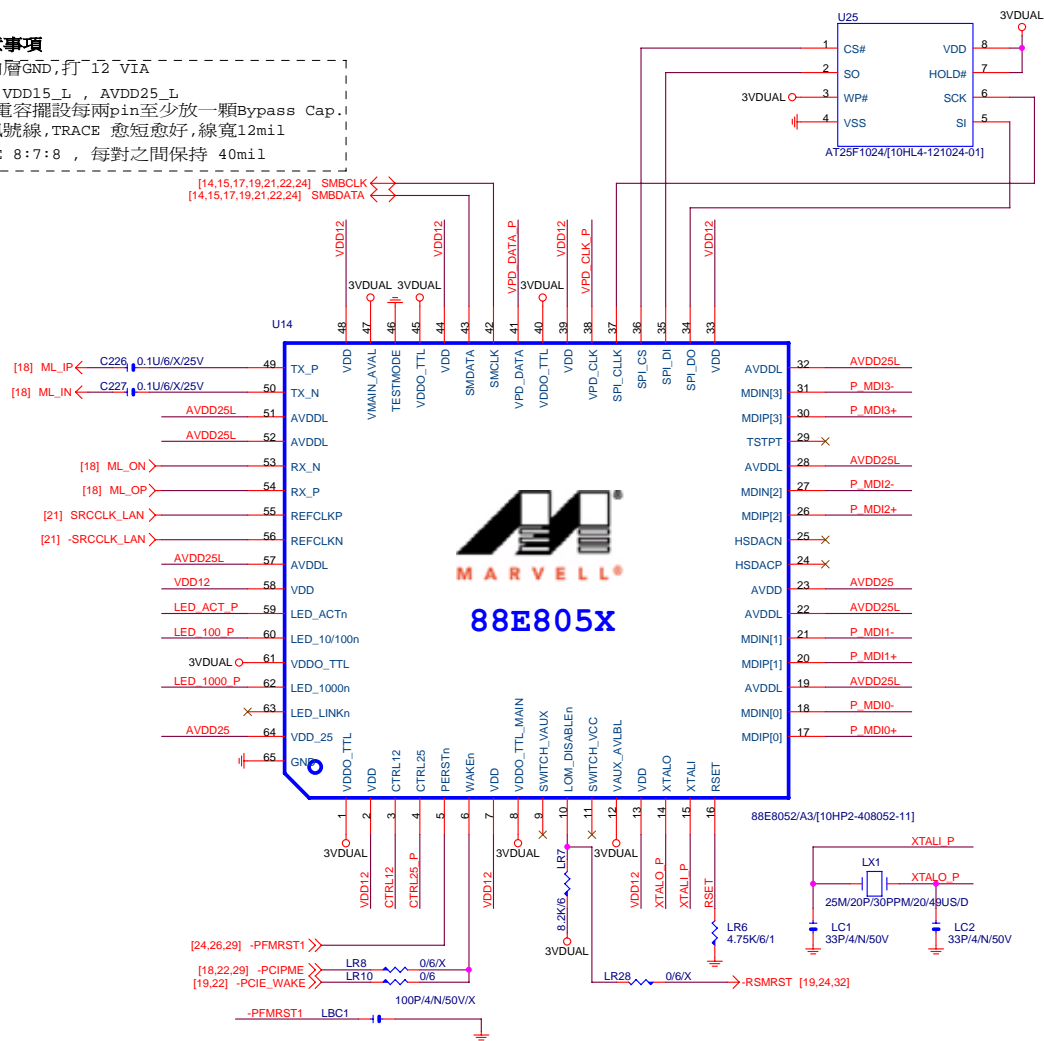
Gigabyte Technology		
AUDIO JACK		
Document Number		Rev
8I945AEF-RH		1.1
Date:	Tuesday, November 29, 2005	Sheet 28 of 34



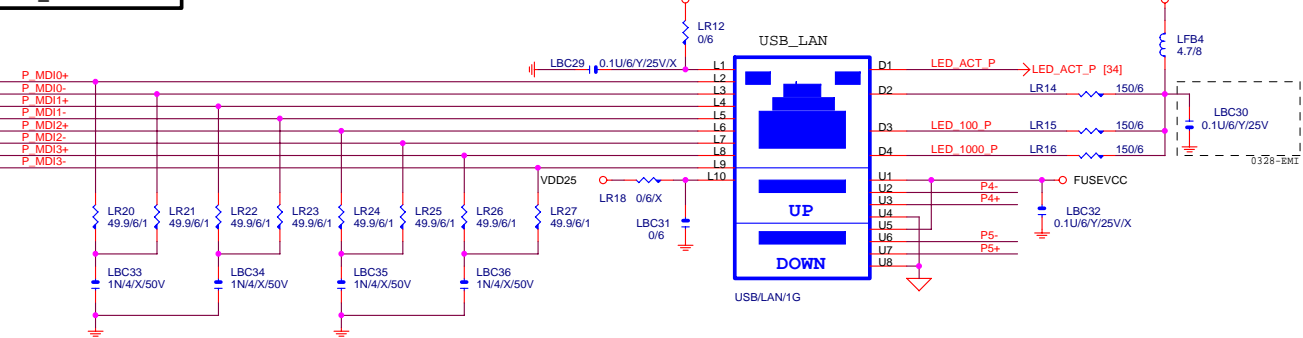
PCIE-1G LAN

Layout Check 注意事項

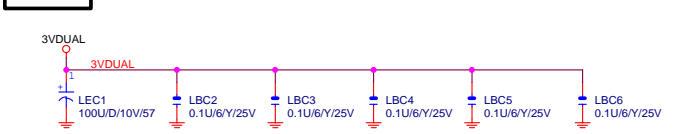
1. Lu1 PIN65 需下內層GND,打 12 VIA
2. 3VDUAL, VCC3, VDD15_L, AVDD25_L 至少走20mil寬,並且電容擺設每兩pin至少放一顆Bypass Cap.
3. X'TAL 25MHz 兩訊號線,TRACE 愈短愈好,線寬12mil
4. MDI正負0~3,TRACE 8:7:8, 每對之間保持 40mil



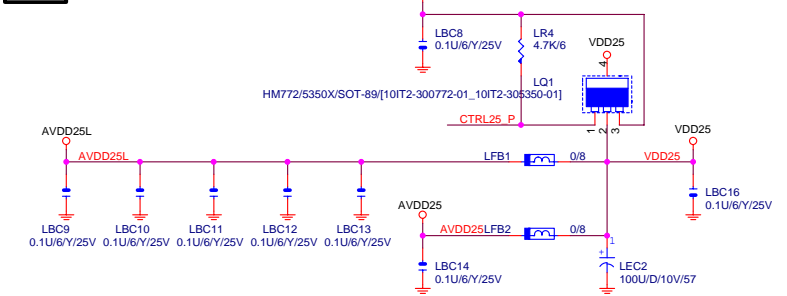
USB_LAN CONNECTOR



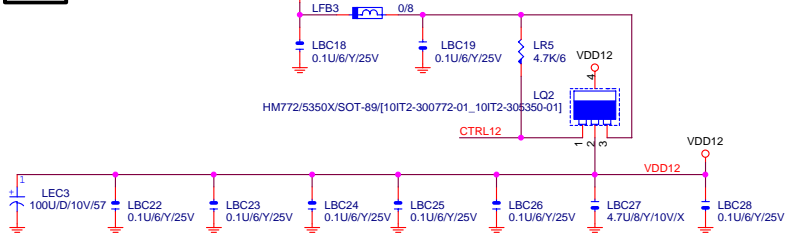
3VDUAL



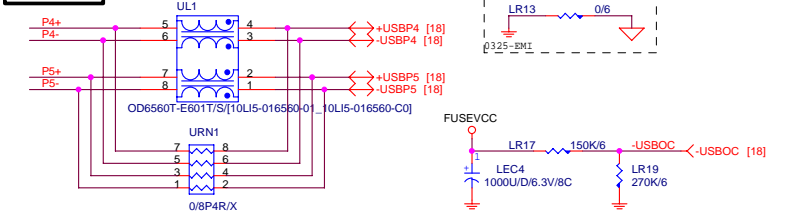
2.5V



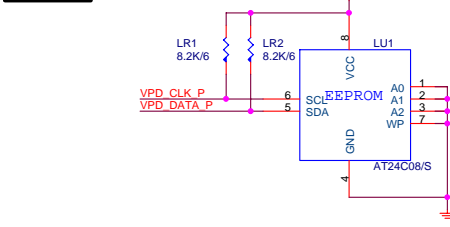
1.2V



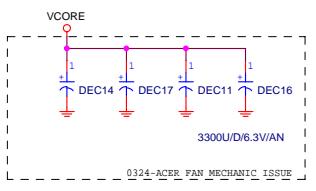
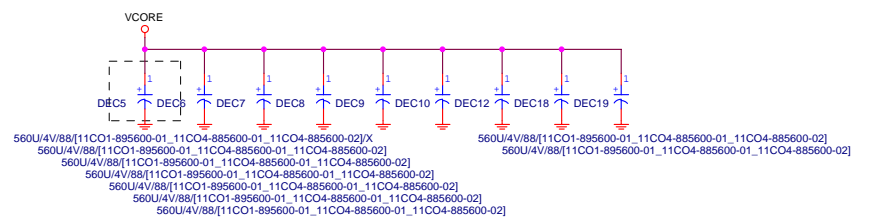
USB_LAN



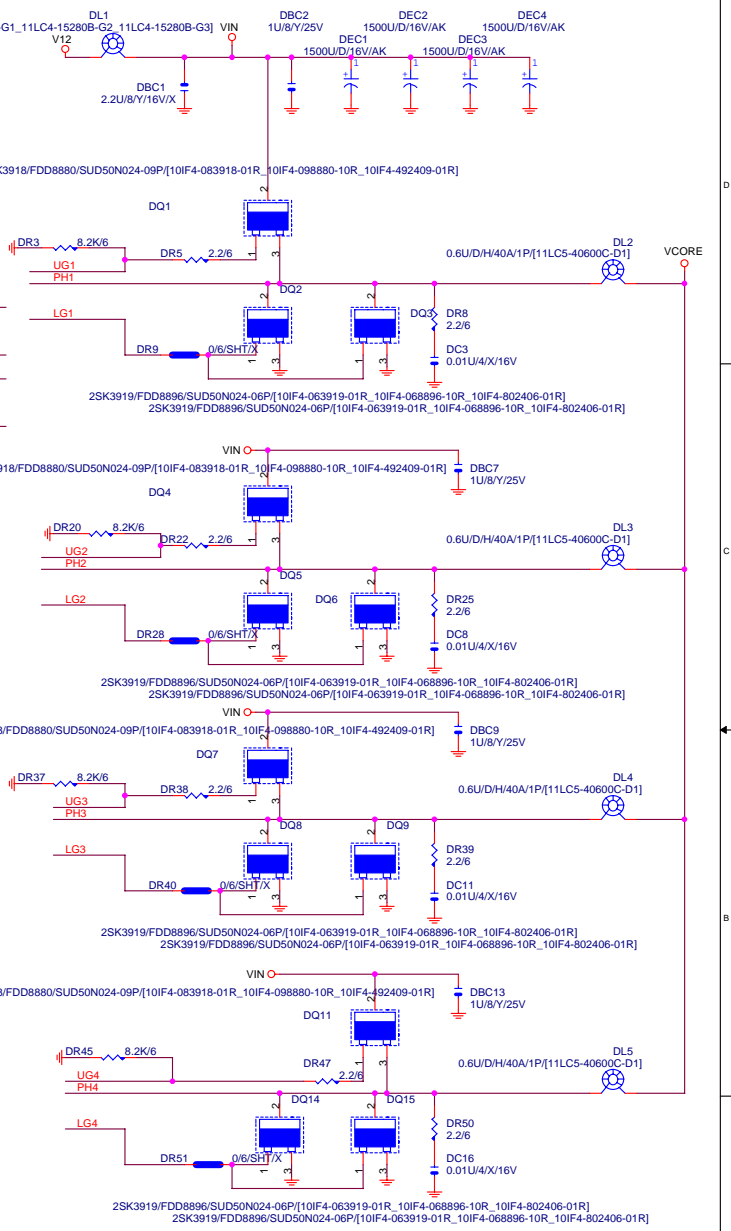
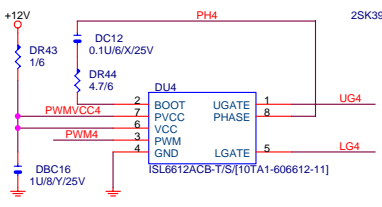
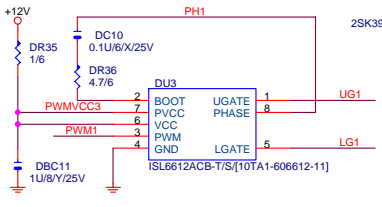
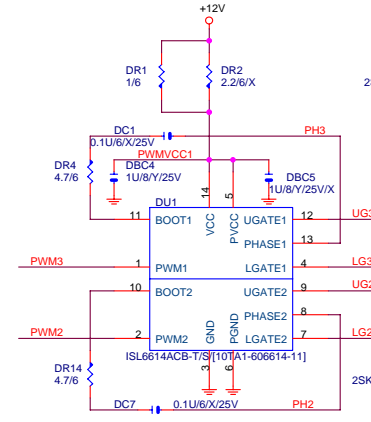
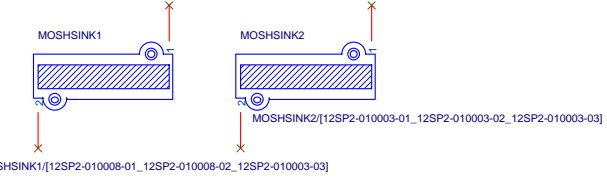
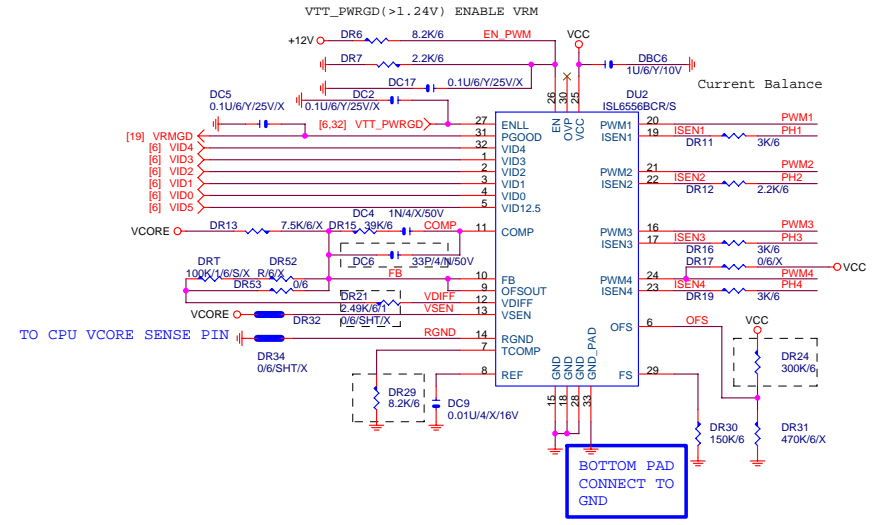
EEPROM



Gigabyte Technology		
Title	MARVELL 88E8052	
Size Custom	Document Number	Rev
	81945AEF-RH	1.1
Date:	Tuesday, November 29, 2005	Sheet 30 of 34

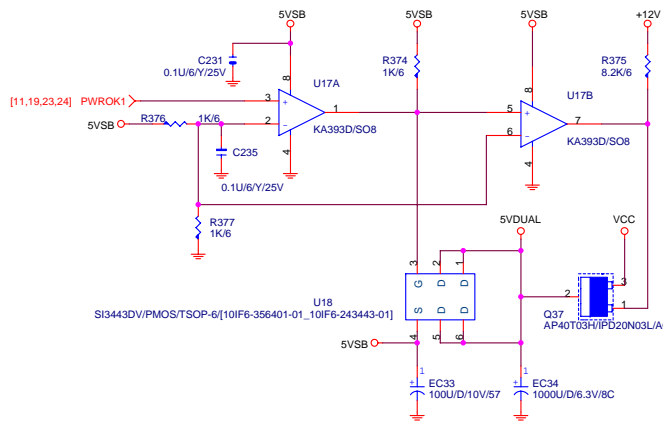


1800U/D/6.3V/8K[11CL1-8K1801-11_11CL1-8K1801-12]
 1800U/D/6.3V/8K[11CL1-8K1801-11_11CL1-8K1801-12]
 1800U/D/6.3V/8K[11CL1-8K1801-11_11CL1-8K1801-12]

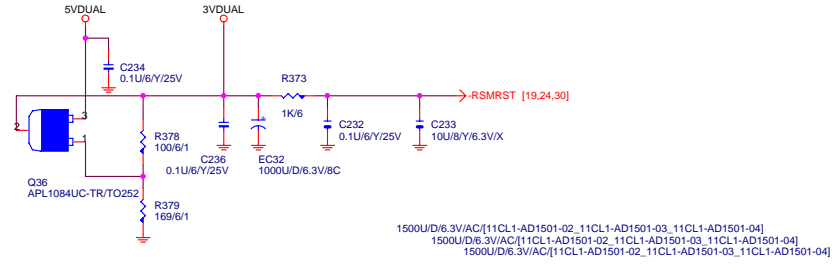


Gigabyte Technology			
VCCORE PWM_ISL6556			
Size	Document Number	81945AEF-RH	
Custom		Rev 1.1	
Date:	Tuesday, November 29, 2005	Sheet	31 of 34

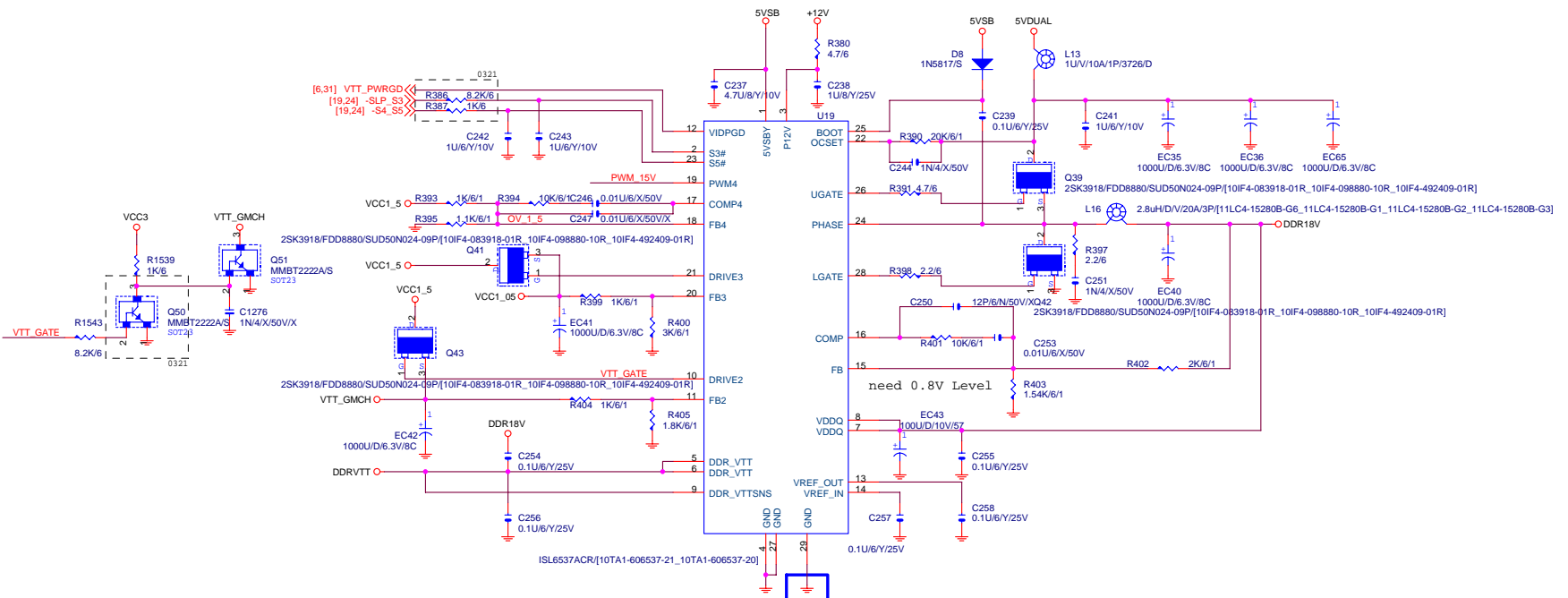
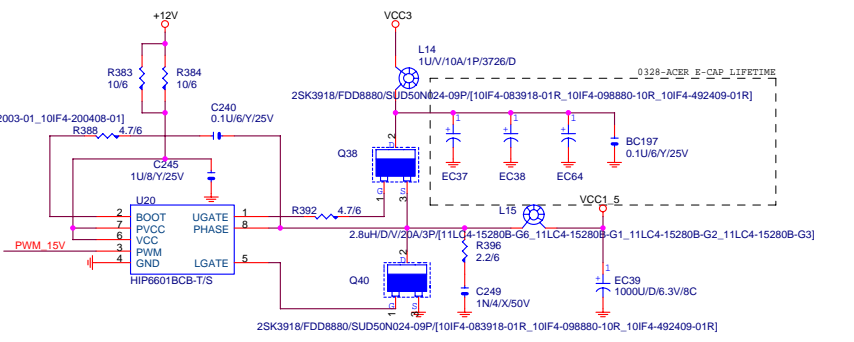
5VDUAL



3VDUAL

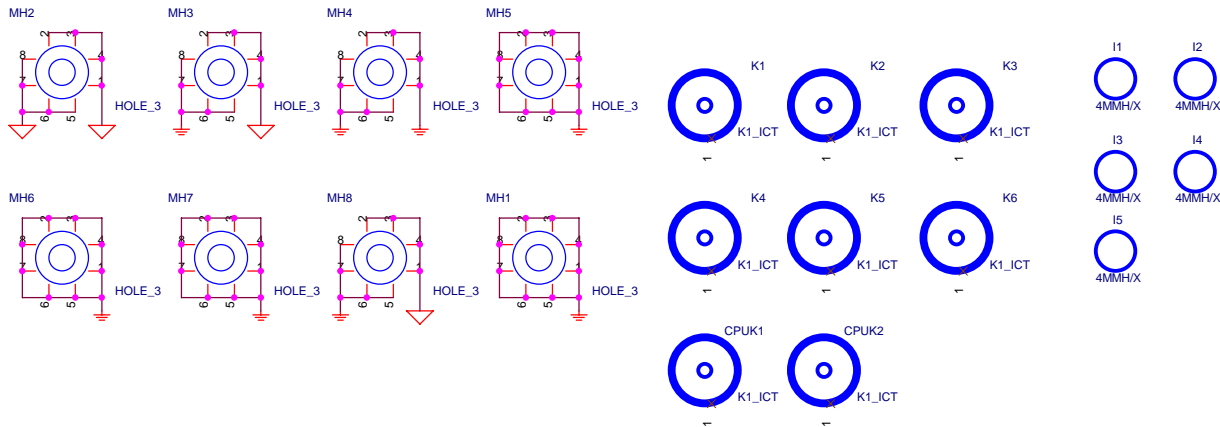
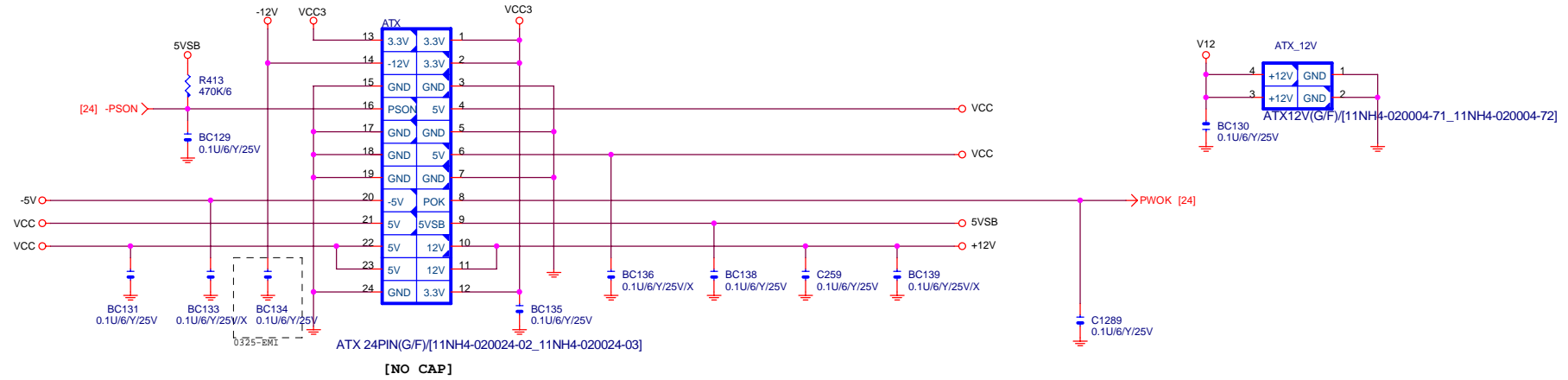


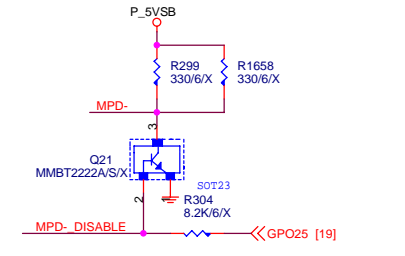
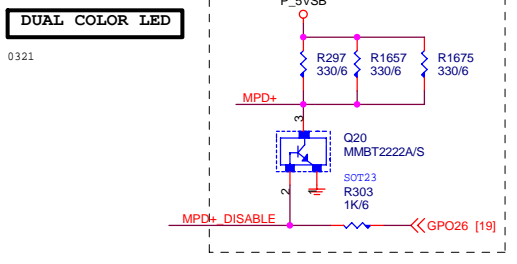
VCC1_5



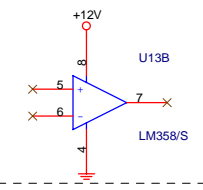
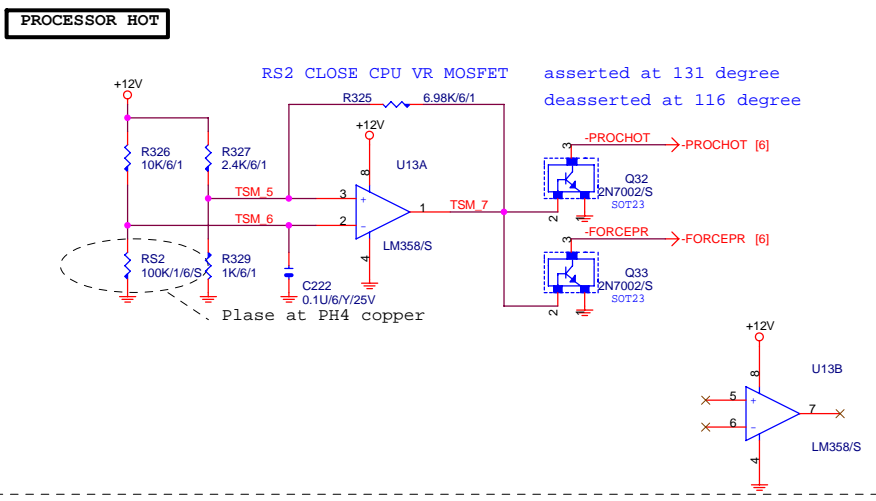
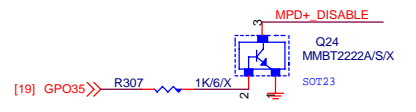
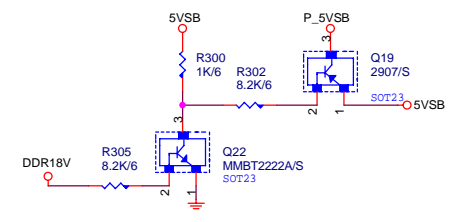
BOTTOM PAD
USE 6 VIAS
CONNECT TO
GND

ATX POWER CONNECTOR

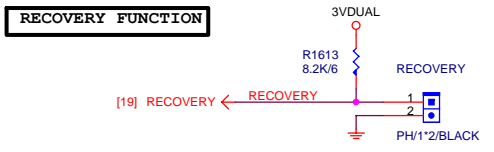
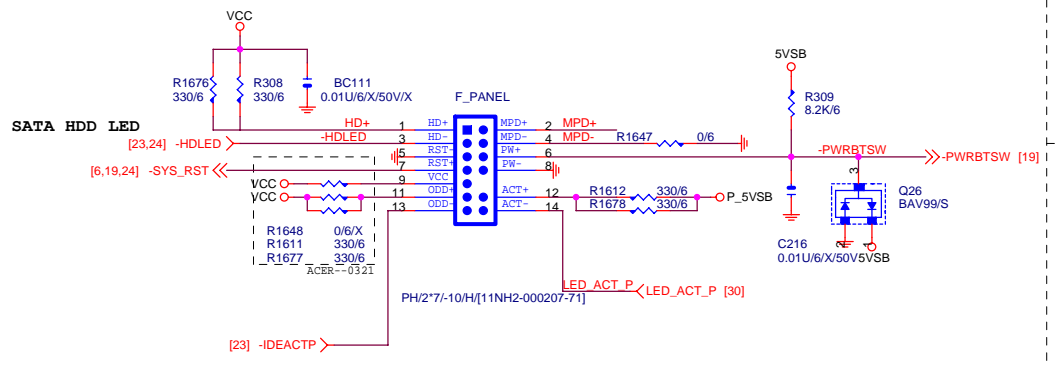




PREVENT SO W/O CPU, GREEN IS ON.



INTEL FRONT PANEL modify PIN2*7 cut 10pin for ACER



RECOVERY	
OPEN	NORMAL
SHORT	RECOVERY

