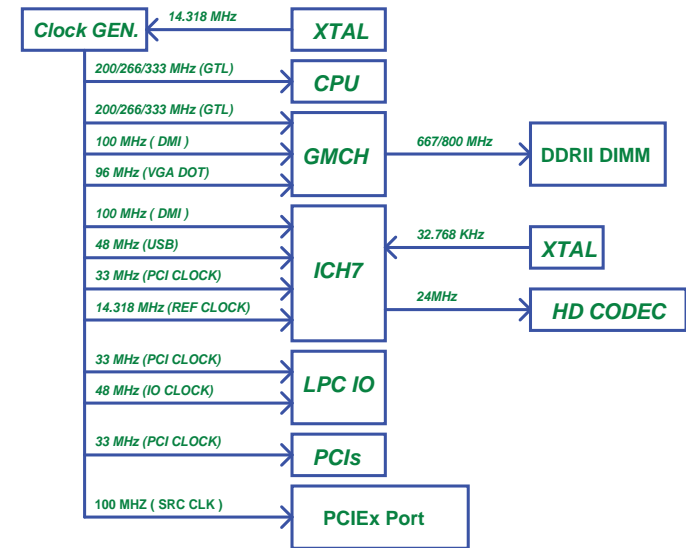
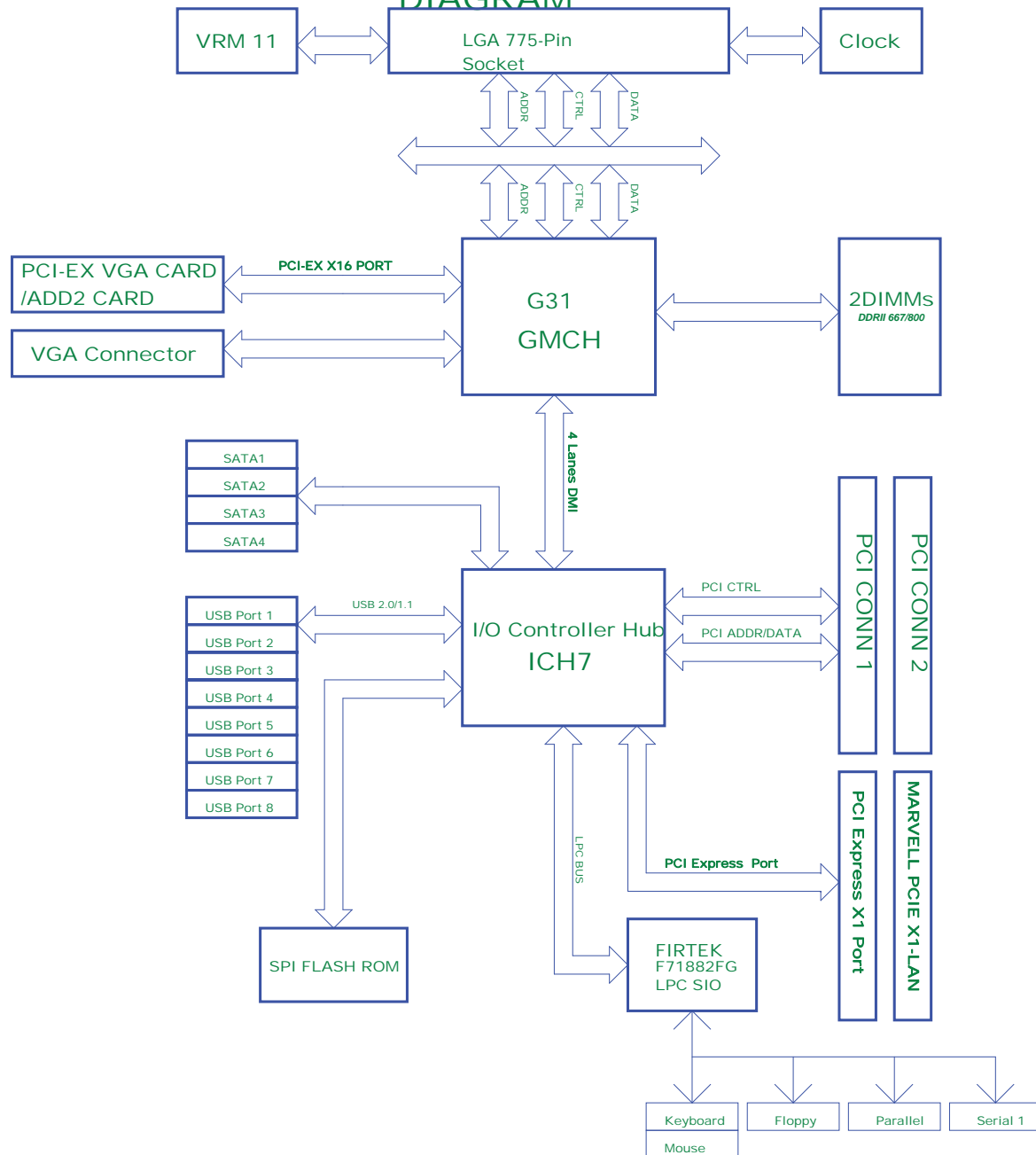


- 01. BLOCK DIAGRAM
- 02. P4 CPU MAIN
- 03. P4 CPU POWER & GND
- 04. GMCH FSB & POWER
- 05. GMCH\_PCI-ExpX16 & VGA
- 06. GMCH\_MEMORY & GND
- 07. DDRII A SLOT
- 08. DDRII B SLOT
- 09. ICH7
- 10. ICH7 POWER & GND
- 11. SUPER I/O
- 12. PCI SOLTS&PCI-ExpX1
- 13. AUDIO
- 14. PCI-ExpX16 & IDE
- 15. POWER,USB & FRONT CONN.
- 16. CLOCK GEN.
- 17. CPU POWER
- 18. SYS & MEM POWER
- 19. MARVELL 88E8040\_56

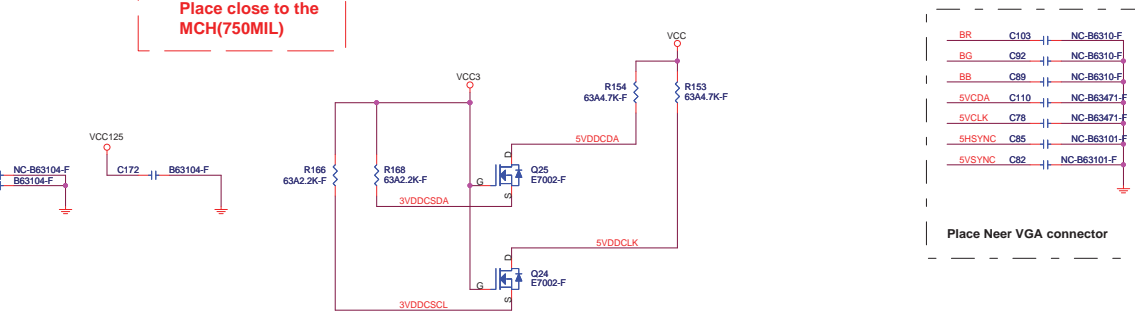
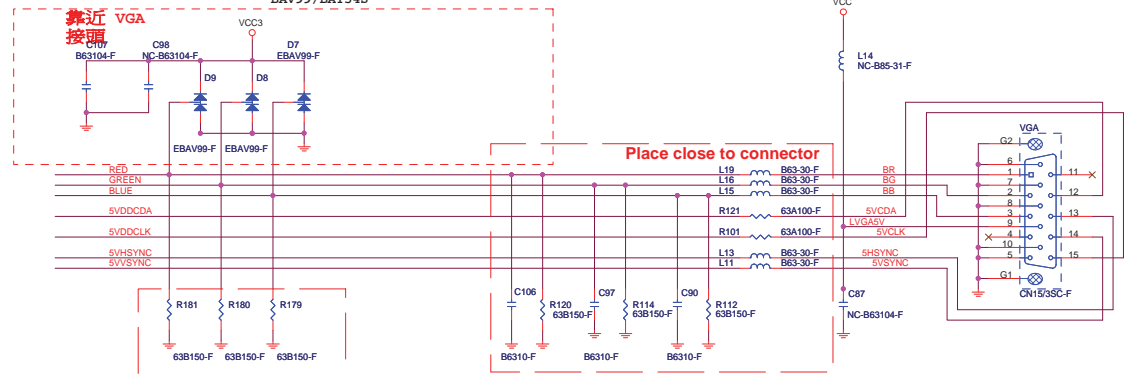
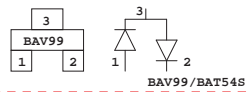
# BLOCK DIAGRAM

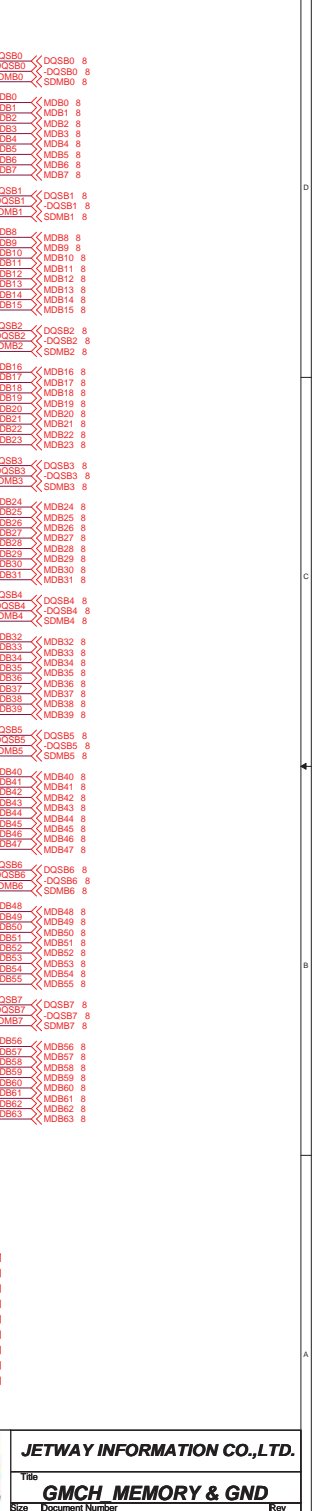
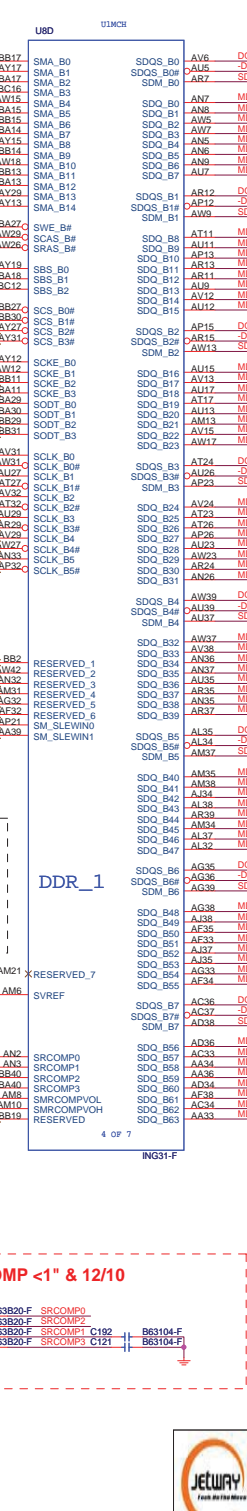
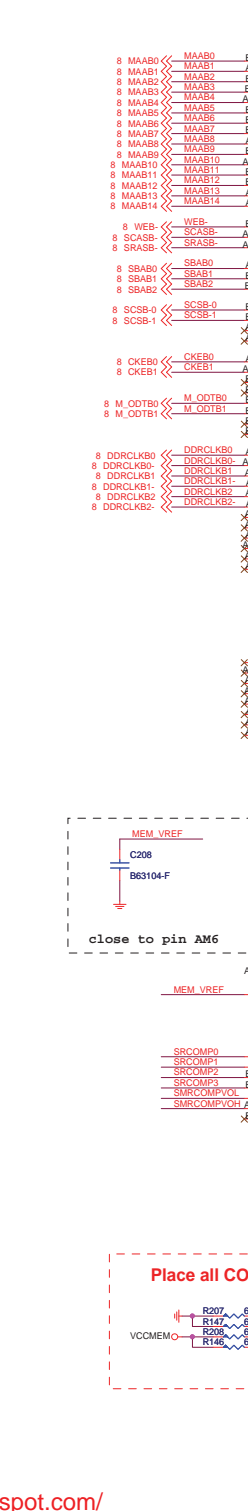
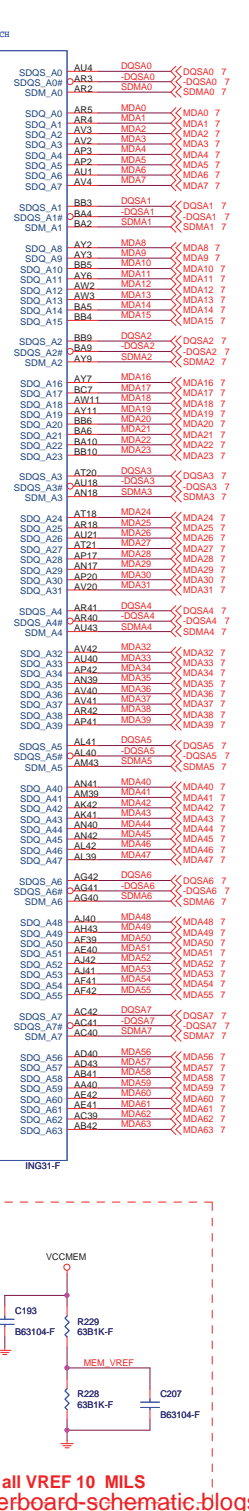
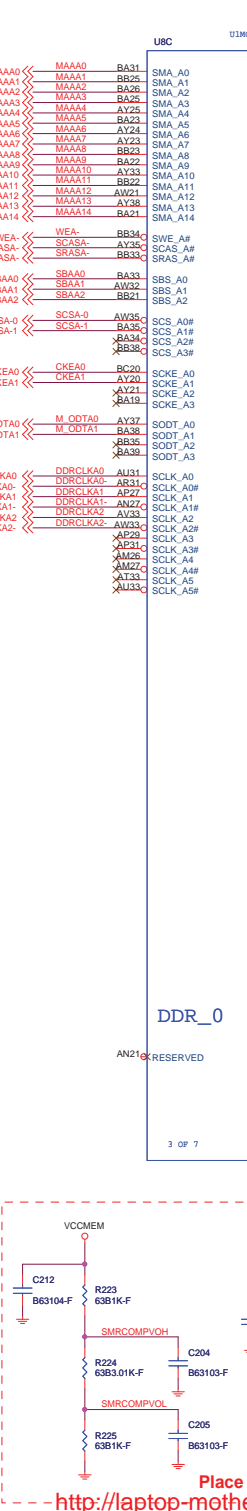
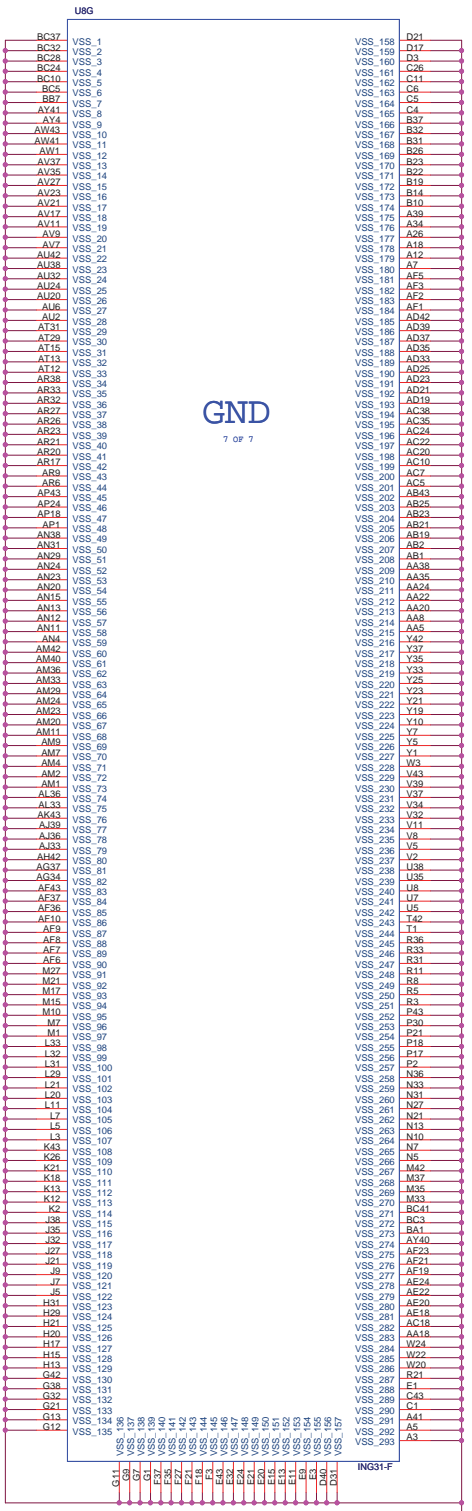




U4D	AG22	VCC_1	C10	VCC_2	D12	VCC_3	C24	VCC_4	K2	VCC_5	C22	VCC_6	B14	VCC_7	K7	VCC_8	B11	VCC_9	AE16	VCC_10	B11	VCC_11	AL10	VCC_12	AK23	VCC_13	H12	VCC_14	AE7	VCC_15	AKC	VCC_16	H7	VCC_17	E14	VCC_18	L26	VCC_19	Y5	VCC_20	AL16	VCC_21	AK13	VCC_22	AL24	VCC_23	D21	VCC_24	AL20	VCC_25	D18	VCC_26	AN2	VCC_27	AK16	VCC_28	AK20	VCC_29	AM27	VCC_30	AM1	VCC_31	AL13	VCC_32	AL17	VCC_33	C18	VCC_34	E28	VCC_35	AK30	VCC_36	D24	VCC_37	AL23	VCC_38	A12	VCC_39	L26	VCC_40	J7	VCC_41	AE28	VCC_42	AE28	VCC_43	K5	VCC_44	K5	VCC_45	J4	VCC_46	AN20	VCC_47	AE10	VCC_48	AE24	VCC_49	AM24	VCC_50	AN23	VCC_51	H8	VCC_52	H8	VCC_53	H8	VCC_54	H13	VCC_55	AC8	VCC_56	AC7	VCC_57	AK6	VCC_58	C16	VCC_59	AM16	VCC_60	AE25	VCC_61	AE27	VCC_62	AJ28	VCC_63	F18	VCC_64	AH13	VCC_65	AD7	VCC_66	AH16	VCC_67	AK17	VCC_68	E17	VCC_69	AH20	VCC_70	AE5	VCC_71	AE5	VCC_72	AE7	VCC_73	AM12	VCC_74	AM12	VCC_75	AE24	VCC_76	AJ30	VCC_77	AJ10	VCC_78	AK5	VCC_79	AJ16	VCC_80	AK5	VCC_81	AK29	VCC_82	AJ17	VCC_83	F29	VCC_84	AH3	VCC_85	AK10	VCC_86	AM10	VCC_87	F16	VCC_88	AJ23	VCC_89	F18	VCC_90	F10	VCC_101	AG7	VCC_102	L26	VCC_103	D4	VCC_104	H11	VCC_105	L24	VCC_106	L23	VCC_107	AM23	VCC_108	A12	VCC_109	AH10	VCC_110	B24	VCC_111	L3	VCC_112	H27	VCC_113	A21	VCC_114	AE2	VCC_115	AK23	VCC_116	AK27	VCC_117	AK28	VCC_118	B03	VCC_119	AM20	VCC_120	H26	VCC_121	B17	VCC_122	H25	VCC_123	H24	VCC_124	AK3	VCC_125	AA7	VCC_126	AA6	VCC_127	H10	VCC_128	H22	VCC_129	H21	VCC_130	H21	VCC_131	H1	VCC_132	H12	VCC_133	H13	VCC_134	H14	VCC_135	H15	VCC_136	H16	VCC_137	H17	VCC_138	H18	VCC_139	H19	VCC_140	H20	VCC_141	H21	VCC_142	H22	VCC_143	H23	VCC_144	H24	VCC_145	H25	VCC_146	H26	VCC_147	H27	VCC_148	H28	VCC_149	H29	VCC_150	H30	VCC_151	H31	VCC_152	H32	VCC_153	H33	VCC_154	H34	VCC_155	H35	VCC_156	H36	VCC_157	H37	VCC_158	H38	VCC_159	H39	VCC_160	H40	VCC_161	H41	VCC_162	H42	VCC_163	H43	VCC_164	H44	VCC_165	H45	VCC_166	H46	VCC_167	H47	VCC_168	H48	VCC_169	H49	VCC_170	H50	VCC_171	H51	VCC_172	H52	VCC_173	H53	VCC_174	H54	VCC_175	H55	VCC_176	H56	VCC_177	H57	VCC_178	H58	VCC_179	H59	VCC_180	H60	VCC_181	H61	VCC_182	H62	VCC_183	H63	VCC_184	H64	VCC_185	H65	VCC_186	H66	VCC_187	H67	VCC_188	H68	VCC_189	H69	VCC_190	H70	VCC_191	H71	VCC_192	H72	VCC_193	H73	VCC_194	H74	VCC_195	H75	VCC_196	H76	VCC_197	H77	VCC_198	H78	VCC_199	H79	VCC_200	H80	VCC_201	H81	VCC_202	H82	VCC_203	H83	VCC_204	H84	VCC_205	H85	VCC_206	H86	VCC_207	H87	VCC_208	H88	VCC_209	H89	VCC_210	H90	VCC_211	H91	VCC_212	H92	VCC_213	H93	VCC_214	H94	VCC_215	H95	VCC_216	H96	VCC_217	H97	VCC_218	H98	VCC_219	H99	VCC_220	H100	VCC_221	N8	VCC_222	AE12	VCC_223	M28	VCC_224	AK9	VCC_225	AJ26	VCC_226	N3	VCC_227	AA30	VCC_228	F4	VCC_229	AG10	VCC_230	AE13	VCC_231	AE30	VCC_232	H29	VCC_233	F7	VCC_234	AE28	VCC_235	AE28	VCC_236	AE27	VCC_237	AE26	VCC_238	AE25	VCC_239	AN28	VCC_240	AN27	VCC_241	AE24	VCC_242	N3	VCC_243	AE11	VCC_244	K30	VCC_245	K30	VCC_246	AL14	VCC_247	AN30	VCC_248	AH25	VCC_249	AL12	VCC_250	AJ9	VCC_251	AK11	VCC_252	AG14	VCC_253	N29	VCC_254	AL30	VCC_255	AJ25	VCC_256	AH9	VCC_257	J29	VCC_258	K25	VCC_259	P8	VCC_260	AL19	VCC_261	AM8	VCC_262	T26	VCC_263	N28	VCC_264	AH12	VCC_265	AL22	VCC_266	AM15	VCC_267	AJ8	VCC_268	L26	VCC_269	AJ19	VCC_270	T27	VCC_271	AK9	VCC_272	AN12	VCC_273	AG9	VCC_274	N28	VCC_275	AE9	VCC_276	AE22	VCC_277	AH11	VCC_278	AJ14	VCC_279	AH18	VCC_280	AH29	VCC_281	AH27	VCC_282	AG26	VCC_283	AL26	VCC_284	AM12	VCC_285	J24	VCC_286	J13	VCC_287	T28	VCC_288	W28	VCC_289	J12	VCC_290	AJ27	VCC_291	AG18	VCC_292	AL9	VCC_293	AD30	VCC_294	AE21	VCC_295	Y24	VCC_296	AK14	VCC_297	M27	VCC_298	AE14	VCC_299	AG18	VCC_300	AG18	VCC_301	AG8	VCC_302	AG18	VCC_303	AG8	VCC_304	AG18	VCC_305	AG8	VCC_306	AG18	VCC_307	AG8	VCC_308	AG18	VCC_309	AG8	VCC_310	AG18	VCC_311	AG8	VCC_312	AG18	VCC_313	AG8	VCC_314	AG18	VCC_315	AG8	VCC_316	AG18	VCC_317	AG8	VCC_318	AG18	VCC_319	AG8	VCC_320	AG18	VCC_321	AG8	VCC_322	AG18	VCC_323	AG8	VCC_324	AG18	VCC_325	AG8	VCC_326	AG18	VCC_327	AG8	VCC_328	AG18	VCC_329	AG8	VCC_330	AG18	VCC_331	AG8	VCC_332	AG18	VCC_333	AG8	VCC_334	AG18	VCC_335	AG8	VCC_336	AG18	VCC_337	AG8	VCC_338	AG18	VCC_339	AG8	VCC_340	AG18	VCC_341	AG8	VCC_342	AG18	VCC_343	AG8	VCC_344	AG18	VCC_345	AG8	VCC_346	AG18	VCC_347	AG8	VCC_348	AG18	VCC_349	AG8	VCC_350	AG18	VCC_351	AG8	VCC_352	AG18	VCC_353	AG8	VCC_354	AG18	VCC_355	AG8	VCC_356	AG18	VCC_357	AG8	VCC_358	AG18	VCC_359	AG8	VCC_360	AG18	VCC_361	AG8	VCC_362	AG18	VCC_363	AG8	VCC_364	AG18	VCC_365	AG8	VCC_366	AG18	VCC_367	AG8	VCC_368	AG18	VCC_369	AG8	VCC_370	AG18	VCC_371	AG8	VCC_372	AG18	VCC_373	AG8	VCC_374	AG18	VCC_375	AG8	VCC_376	AG18	VCC_377	AG8	VCC_378	AG18	VCC_379	AG8	VCC_380	AG18	VCC_381	AG8	VCC_382	AG18	VCC_383	AG8	VCC_384	AG18	VCC_385	AG8	VCC_386	AG18	VCC_387	AG8	VCC_388	AG18	VCC_389	AG8	VCC_390	AG18	VCC_391	AG8	VCC_392	AG18	VCC_393	AG8	VCC_394	AG18	VCC_395	AG8	VCC_396	AG18	VCC_397	AG8	VCC_398	AG18	VCC_399	AG8	VCC_400	AG18	VCC_401	AG8	VCC_402	AG18	VCC_403	AG8	VCC_404	AG18	VCC_405	AG8	VCC_406	AG18	VCC_407	AG8	VCC_408	AG18	VCC_409	AG8	VCC_410	AG18	VCC_411	AG8	VCC_412	AG18	VCC_413	AG8	VCC_414	AG18	VCC_415	AG8	VCC_416	AG18	VCC_417	AG8	VCC_418	AG18	VCC_419	AG8	VCC_420	AG18	VCC_421	AG8	VCC_422	AG18	VCC_423	AG8	VCC_424	AG18	VCC_425	AG8	VCC_426	AG18	VCC_427	AG8	VCC_428	AG18	VCC_429	AG8	VCC_430	AG18	VCC_431	AG8	VCC_432	AG18	VCC_433	AG8	VCC_434	AG18	VCC_435	AG8	VCC_436	AG18	VCC_437	AG8	VCC_438	AG18	VCC_439	AG8	VCC_440	AG18	VCC_441	AG8	VCC_442	AG18	VCC_443	AG8	VCC_444	AG18	VCC_445	AG8	VCC_446	AG18	VCC_447	AG8	VCC_448	AG18	VCC_449	AG8	VCC_450	AG18	VCC_451	AG8	VCC_452	AG18	VCC_453	AG8	VCC_454	AG18	VCC_455	AG8	VCC_456	AG18	VCC_457	AG8	VCC_458	AG18	VCC_459	AG8	VCC_460	AG18	VCC_461	AG8	VCC_462	AG18	VCC_463	AG8	VCC_464	AG18	VCC_465	AG8	VCC_466	AG18	VCC_467	AG8	VCC_468	AG18	VCC_469	AG8	VCC_470	AG18	VCC_471	AG8	VCC_472	AG18	VCC_473	AG8	VCC_474	AG18	VCC_475	AG8	VCC_476	AG18	VCC_477	AG8	VCC_478	AG18	VCC_479	AG8	VCC_480	AG18	VCC_481	AG8	VCC_482	AG18	VCC_483	AG8	VCC_484	AG18	VCC_485	AG18	VCC_486	AG18	VCC_487	AG18	VCC_488	AG18	VCC_489	AG18	VCC_490	AG18	VCC_491	AG18	VCC_492	AG18	VCC_493	AG18	VCC_494	AG18	VCC_495	AG18	VCC_496	AG18	VCC_497	AG18	VCC_498	AG18	VCC_499	AG18	VCC_500	AG18	VCC_501	AG18	VCC_502	AG18	VCC_503	AG18	VCC_504	AG18	VCC_505	AG18	VCC_506	AG18	VCC_507	AG18	VCC_508	AG18	VCC_509	AG18	VCC_510	AG18	VCC_511	AG18	VCC_512	AG18	VCC_513	AG18	VCC_514	AG18	VCC_515	AG18	VCC_516	AG18	VCC_517	AG18	VCC_518	AG18	VCC_519	AG18	VCC_520	AG18	VCC_521	AG18	VCC_522	AG18	VCC_523	AG18	VCC_524	AG18	VCC_525	AG18	VCC_526	AG18	VCC_527	AG18	VCC_528	AG18	VCC_529	AG18	VCC_530	AG18	VCC_531	AG18	VCC_532	AG18	VCC_533	AG18	VCC_534	AG18	VCC_535	AG18	VCC_536	AG18	VCC_537	AG18	VCC_538	AG18	VCC_539	AG18	VCC_540	AG18	VCC_541	AG18	VCC_542	AG18	VCC_543	AG18	VCC_544	AG18	VCC_545	AG18	VCC_546	AG18	VCC_547	AG18	VCC_548	AG18	VCC_549	AG18	VCC_550	AG18	VCC_551	AG18	VCC_552	AG18	VCC_553	AG18	VCC_554	AG18	VCC_555	AG18	VCC_556	AG18	VCC_557	AG18	VCC_558	AG18	VCC_559	AG18	VCC_560	AG18	VCC_561	AG18	VCC_562	AG18	VCC_563	AG18	VCC_564	AG18	VCC_565	AG18	VCC_566	AG18	VCC_567	AG18	VCC_568	AG18	VCC_569	AG18	VCC_570	AG18	VCC_571	AG18	VCC_572	AG18	VCC_573	AG18	VCC_574	AG18	VCC_575	AG18	VCC_576	AG18	VCC_577	AG18	VCC_578	AG18	VCC_579	AG18	VCC_580	AG18	VCC_581	AG18	VCC_582	AG18	VCC_583	AG18	VCC_584	AG18	VCC_585	AG18	VCC_586	AG18	VCC_587	AG18	VCC_588	AG18	VCC_589	AG18	VCC_590	AG18	VCC_591	AG18	VCC_592	AG18	VCC_593	AG18	VCC_594	AG18	VCC_595	AG18	VCC_596	AG18	VCC_597	AG18	VCC_598	AG18	VCC_599	AG18	VCC_600	AG18	VCC_601	AG18	VCC_602	AG18	VCC_603	AG18	VCC_604	AG18	VCC_605	AG18	VCC_606	AG18	VCC_607	AG18	VCC_608	AG18	VCC_609	AG18	VCC_610	AG18	VCC_611	AG18	VCC_612	AG18	VCC_613	AG18	VCC_614	AG18	VCC_615	AG18	VCC_616	AG18	VCC_617	AG18	VCC_618	AG18	VCC_619	AG18	VCC_620	AG18	VCC_621	AG18	VCC_622	AG18	VCC_623	AG18	VCC_624	AG18	VCC_625	AG18	VCC_626	AG18	VCC_627	AG18	VCC_628	AG18	VCC_629	AG18	VCC_630	AG18	VCC_631	AG18	VCC_632	AG18	VCC_633	AG18	VCC_634	AG18	VCC_635	AG18	VCC_636	AG18	VCC_637	AG18	VCC_638	AG18	VCC_639	AG18	VCC_640	AG18	VCC_641	AG18	VCC_642	AG18	VCC_643	AG18	VCC_644	AG18	VCC_645	AG18	VCC_646	AG18	VCC_647	AG18	VCC_648	AG18	VCC_649	AG18	VCC_650	AG18	VCC_651	AG18	VCC_652	AG18	VCC_653	AG18	VCC_654	AG18	VCC_655	AG18	VCC_656	AG18	VCC_657	AG18	VCC_658	AG18	VCC_659	AG18	VCC_660	AG18	VCC_661	AG18	VCC_662	AG18	VCC_663	AG18	VCC_664	AG18	VCC_665	AG18	VCC_666	AG18	VCC_667	AG18	VCC_668	AG18	VCC_669	AG18	VCC_670	AG18	VCC_671	AG18	VCC_672	AG18	VCC_673	AG18	VCC_674	AG18	VCC_675	AG18	VCC_676	AG18	VCC_677	AG18	VCC_678	AG18	VCC_679	AG18	VCC_680	AG18	VCC_681	AG18	VCC_682	AG18	VCC_683	AG18	VCC_684	AG18	VCC_685	AG18	VCC_686	AG18	VCC_687	AG18	VCC_688	AG18	VCC_689	AG18	VCC_690	AG18	VCC_691	AG18	VCC_692	AG18	VCC_693	AG18	VCC_694	AG18	VCC_695	AG18	VCC_696	AG18	VCC_697	AG18	VCC_698	AG18	VCC_699	AG18	VCC_700	AG18	VCC_701	AG18	VCC_702	AG18	VCC_703	AG18	VCC_704	AG18	VCC_705	AG18	VCC_706	AG18	VCC_707	AG18	VCC_708	AG18	VCC_709	AG18	VCC_710	AG18	VCC_711	AG18	VCC_712	AG18	VCC_713	AG18	VCC_714	AG18	VCC_715	AG18	VCC_716
-----	------	-------	-----	-------	-----	-------	-----	-------	----	-------	-----	-------	-----	-------	----	-------	-----	-------	------	--------	-----	--------	------	--------	------	--------	-----	--------	-----	--------	-----	--------	----	--------	-----	--------	-----	--------	----	--------	------	--------	------	--------	------	--------	-----	--------	------	--------	-----	--------	-----	--------	------	--------	------	--------	------	--------	-----	--------	------	--------	------	--------	-----	--------	-----	--------	------	--------	-----	--------	------	--------	-----	--------	-----	--------	----	--------	------	--------	------	--------	----	--------	----	--------	----	--------	------	--------	------	--------	------	--------	------	--------	------	--------	----	--------	----	--------	----	--------	-----	--------	-----	--------	-----	--------	-----	--------	-----	--------	------	--------	------	--------	------	--------	------	--------	-----	--------	------	--------	-----	--------	------	--------	------	--------	-----	--------	------	--------	-----	--------	-----	--------	-----	--------	------	--------	------	--------	------	--------	------	--------	------	--------	-----	--------	------	--------	-----	--------	------	--------	------	--------	-----	--------	-----	--------	------	--------	------	--------	-----	--------	------	--------	-----	--------	-----	---------	-----	---------	-----	---------	----	---------	-----	---------	-----	---------	-----	---------	------	---------	-----	---------	------	---------	-----	---------	----	---------	-----	---------	-----	---------	-----	---------	------	---------	------	---------	------	---------	-----	---------	------	---------	-----	---------	-----	---------	-----	---------	-----	---------	-----	---------	-----	---------	-----	---------	-----	---------	-----	---------	-----	---------	-----	---------	----	---------	-----	---------	-----	---------	-----	---------	-----	---------	-----	---------	-----	---------	-----	---------	-----	---------	-----	---------	-----	---------	-----	---------	-----	---------	-----	---------	-----	---------	-----	---------	-----	---------	-----	---------	-----	---------	-----	---------	-----	---------	-----	---------	-----	---------	-----	---------	-----	---------	-----	---------	-----	---------	-----	---------	-----	---------	-----	---------	-----	---------	-----	---------	-----	---------	-----	---------	-----	---------	-----	---------	-----	---------	-----	---------	-----	---------	-----	---------	-----	---------	-----	---------	-----	---------	-----	---------	-----	---------	-----	---------	-----	---------	-----	---------	-----	---------	-----	---------	-----	---------	-----	---------	-----	---------	-----	---------	-----	---------	-----	---------	-----	---------	-----	---------	-----	---------	-----	---------	-----	---------	-----	---------	-----	---------	-----	---------	-----	---------	-----	---------	-----	---------	-----	---------	-----	---------	-----	---------	-----	---------	-----	---------	-----	---------	-----	---------	-----	---------	-----	---------	-----	---------	-----	---------	-----	---------	-----	---------	-----	---------	-----	---------	-----	---------	-----	---------	-----	---------	-----	---------	-----	---------	-----	---------	-----	---------	------	---------	----	---------	------	---------	-----	---------	-----	---------	------	---------	----	---------	------	---------	----	---------	------	---------	------	---------	------	---------	-----	---------	----	---------	------	---------	------	---------	------	---------	------	---------	------	---------	------	---------	------	---------	------	---------	----	---------	------	---------	-----	---------	-----	---------	------	---------	------	---------	------	---------	------	---------	-----	---------	------	---------	------	---------	-----	---------	------	---------	------	---------	-----	---------	-----	---------	-----	---------	----	---------	------	---------	-----	---------	-----	---------	-----	---------	------	---------	------	---------	------	---------	-----	---------	-----	---------	------	---------	-----	---------	-----	---------	------	---------	-----	---------	-----	---------	-----	---------	------	---------	------	---------	------	---------	------	---------	------	---------	------	---------	------	---------	------	---------	------	---------	-----	---------	-----	---------	-----	---------	-----	---------	-----	---------	------	---------	------	---------	-----	---------	------	---------	------	---------	-----	---------	------	---------	-----	---------	------	---------	------	---------	------	---------	-----	---------	------	---------	-----	---------	------	---------	-----	---------	------	---------	-----	---------	------	---------	-----	---------	------	---------	-----	---------	------	---------	-----	---------	------	---------	-----	---------	------	---------	-----	---------	------	---------	-----	---------	------	---------	-----	---------	------	---------	-----	---------	------	---------	-----	---------	------	---------	-----	---------	------	---------	-----	---------	------	---------	-----	---------	------	---------	-----	---------	------	---------	-----	---------	------	---------	-----	---------	------	---------	-----	---------	------	---------	-----	---------	------	---------	-----	---------	------	---------	-----	---------	------	---------	-----	---------	------	---------	-----	---------	------	---------	-----	---------	------	---------	-----	---------	------	---------	-----	---------	------	---------	-----	---------	------	---------	-----	---------	------	---------	-----	---------	------	---------	-----	---------	------	---------	-----	---------	------	---------	-----	---------	------	---------	-----	---------	------	---------	-----	---------	------	---------	-----	---------	------	---------	-----	---------	------	---------	-----	---------	------	---------	-----	---------	------	---------	-----	---------	------	---------	-----	---------	------	---------	-----	---------	------	---------	-----	---------	------	---------	-----	---------	------	---------	-----	---------	------	---------	-----	---------	------	---------	-----	---------	------	---------	-----	---------	------	---------	-----	---------	------	---------	-----	---------	------	---------	-----	---------	------	---------	-----	---------	------	---------	-----	---------	------	---------	-----	---------	------	---------	-----	---------	------	---------	-----	---------	------	---------	-----	---------	------	---------	-----	---------	------	---------	-----	---------	------	---------	-----	---------	------	---------	-----	---------	------	---------	-----	---------	------	---------	-----	---------	------	---------	-----	---------	------	---------	-----	---------	------	---------	-----	---------	------	---------	-----	---------	------	---------	-----	---------	------	---------	-----	---------	------	---------	-----	---------	------	---------	-----	---------	------	---------	-----	---------	------	---------	-----	---------	------	---------	-----	---------	------	---------	-----	---------	------	---------	-----	---------	------	---------	-----	---------	------	---------	-----	---------	------	---------	-----	---------	------	---------	-----	---------	------	---------	-----	---------	------	---------	-----	---------	------	---------	-----	---------	------	---------	-----	---------	------	---------	-----	---------	------	---------	-----	---------	------	---------	-----	---------	------	---------	-----	---------	------	---------	-----	---------	------	---------	-----	---------	------	---------	-----	---------	------	---------	------	---------	------	---------	------	---------	------	---------	------	---------	------	---------	------	---------	------	---------	------	---------	------	---------	------	---------	------	---------	------	---------	------	---------	------	---------	------	---------	------	---------	------	---------	------	---------	------	---------	------	---------	------	---------	------	---------	------	---------	------	---------	------	---------	------	---------	------	---------	------	---------	------	---------	------	---------	------	---------	------	---------	------	---------	------	---------	------	---------	------	---------	------	---------	------	---------	------	---------	------	---------	------	---------	------	---------	------	---------	------	---------	------	---------	------	---------	------	---------	------	---------	------	---------	------	---------	------	---------	------	---------	------	---------	------	---------	------	---------	------	---------	------	---------	------	---------	------	---------	------	---------	------	---------	------	---------	------	---------	------	---------	------	---------	------	---------	------	---------	------	---------	------	---------	------	---------	------	---------	------	---------	------	---------	------	---------	------	---------	------	---------	------	---------	------	---------	------	---------	------	---------	------	---------	------	---------	------	---------	------	---------	------	---------	------	---------	------	---------	------	---------	------	---------	------	---------	------	---------	------	---------	------	---------	------	---------	------	---------	------	---------	------	---------	------	---------	------	---------	------	---------	------	---------	------	---------	------	---------	------	---------	------	---------	------	---------	------	---------	------	---------	------	---------	------	---------	------	---------	------	---------	------	---------	------	---------	------	---------	------	---------	------	---------	------	---------	------	---------	------	---------	------	---------	------	---------	------	---------	------	---------	------	---------	------	---------	------	---------	------	---------	------	---------	------	---------	------	---------	------	---------	------	---------	------	---------	------	---------	------	---------	------	---------	------	---------	------	---------	------	---------	------	---------	------	---------	------	---------	------	---------	------	---------	------	---------	------	---------	------	---------	------	---------	------	---------	------	---------	------	---------	------	---------	------	---------	------	---------	------	---------	------	---------	------	---------	------	---------	------	---------	------	---------	------	---------	------	---------	------	---------	------	---------	------	---------	------	---------	------	---------	------	---------	------	---------	------	---------	------	---------	------	---------	------	---------	------	---------	------	---------	------	---------	------	---------	------	---------	------	---------	------	---------	------	---------	------	---------	------	---------	------	---------	------	---------	------	---------	------	---------	------	---------	------	---------	------	---------	------	---------	------	---------	------	---------	------	---------	------	---------	------	---------	------	---------	------	---------	------	---------	------	---------	------	---------	------	---------	------	---------	------	---------	------	---------	------	---------	------	---------	------	---------	------	---------	------	---------	------	---------	------	---------	------	---------	------	---------	------	---------	------	---------	------	---------	------	---------	------	---------	------	---------	------	---------	------	---------	------	---------	------	---------	------	---------	------	---------	------	---------	------	---------	------	---------



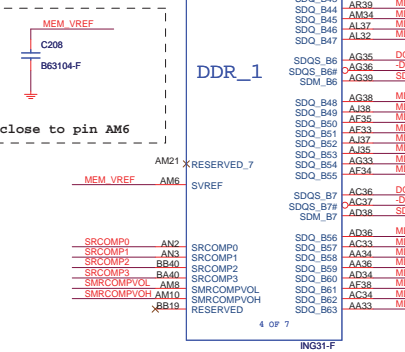
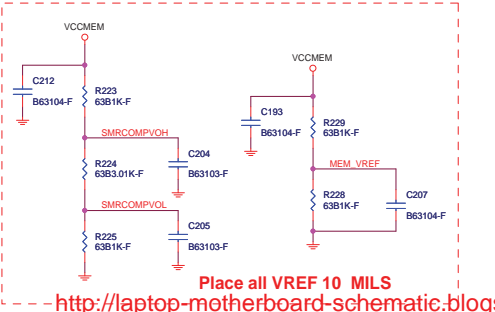




GND  
7 of 7

DDR\_0

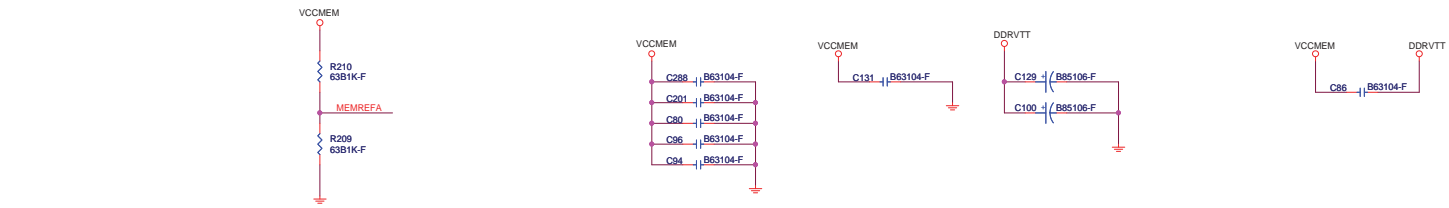
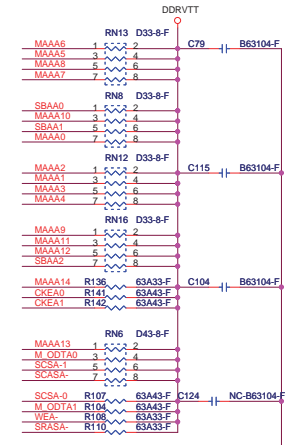
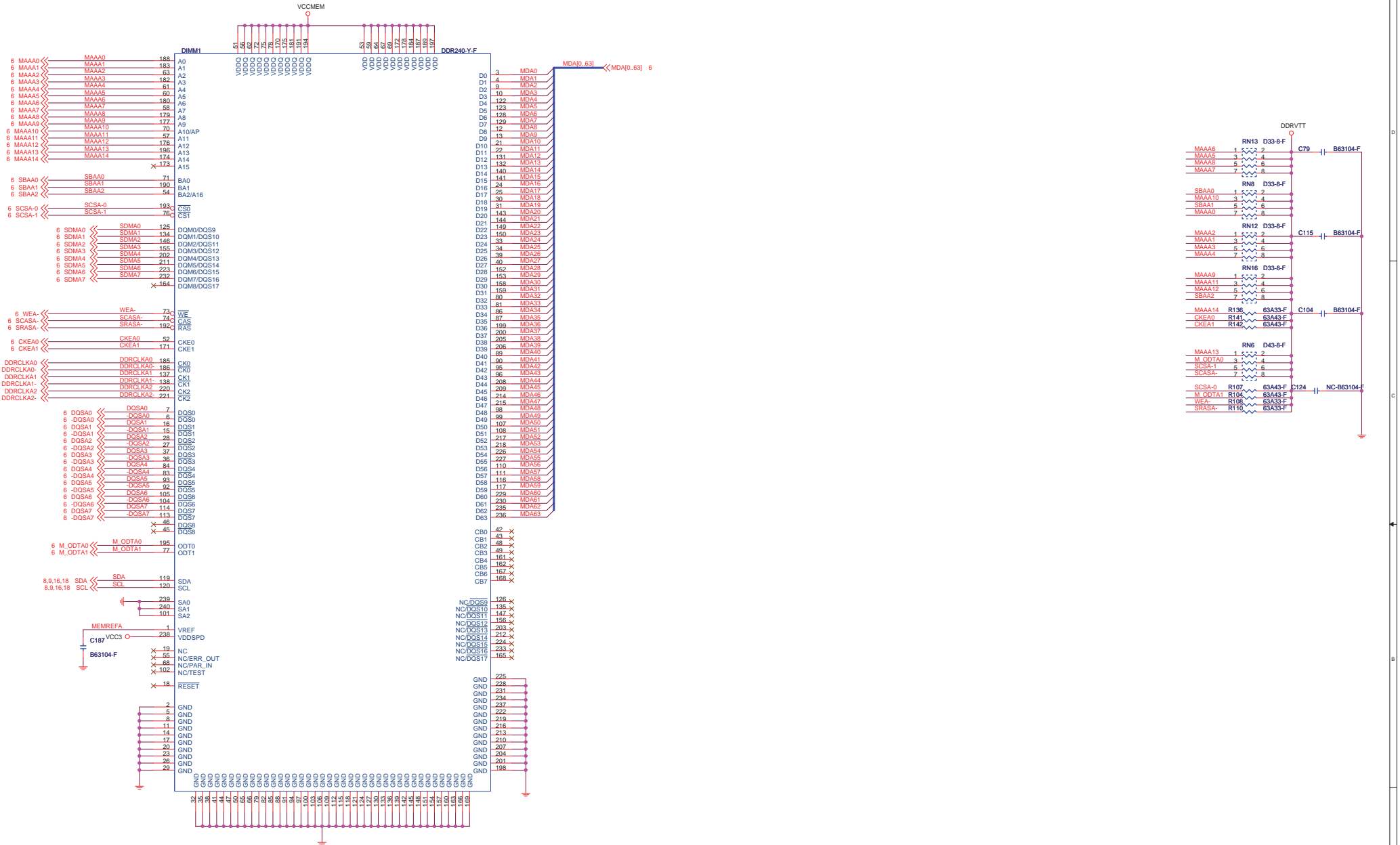
DDR\_1



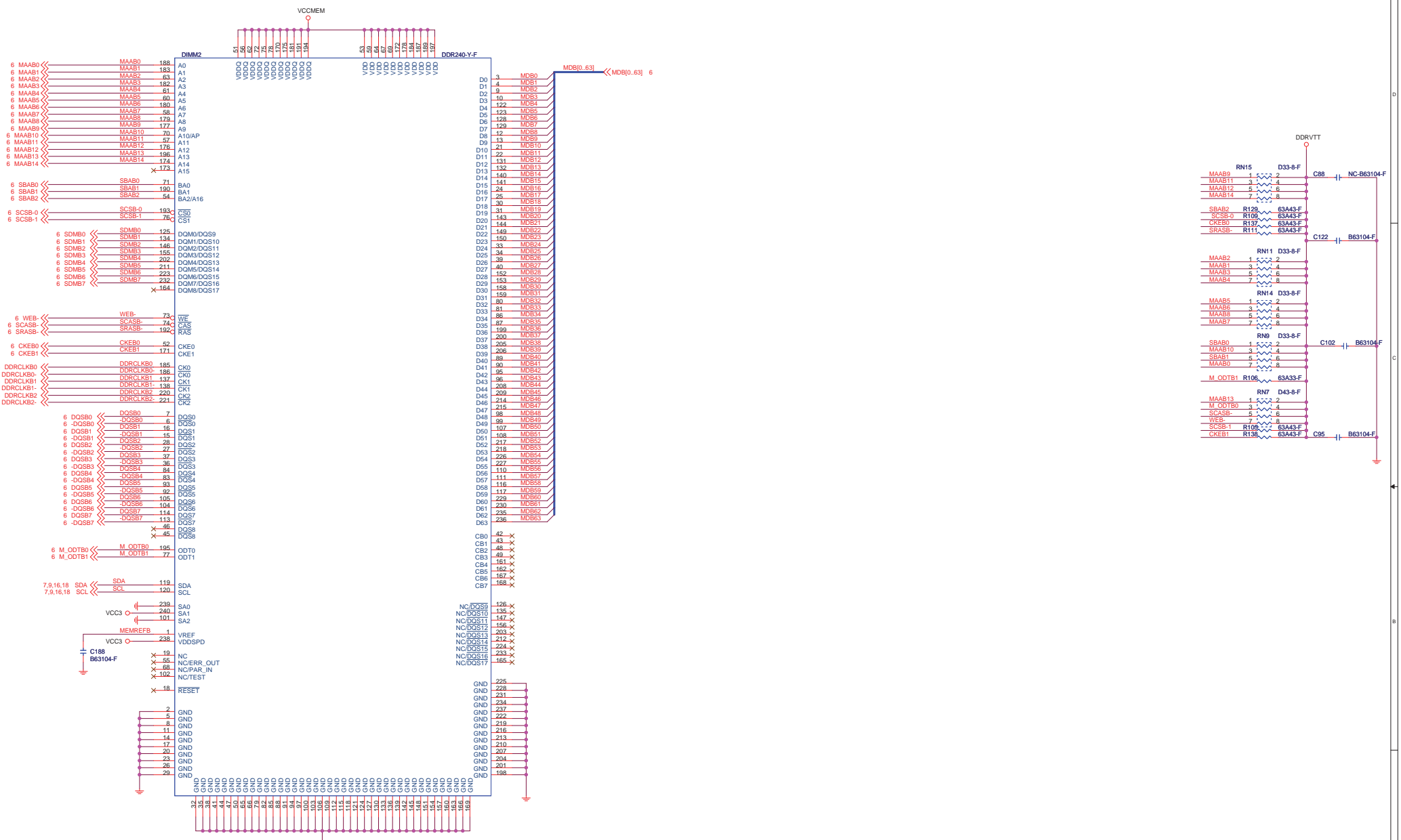
Place all COMP <1" & 12/10

Place all VREF 10 MILS  
<http://laptop-motherboard-schematic.blogspot.com/>

JETWAY INFORMATION CO.,LTD.  
 Title: **GMCH\_MEMORY & GND**  
 Size: C Document Number: **SIMMINTG31E** Rev: 3.0  
 Date: 2009.09.11 Sheet: 6 of 20



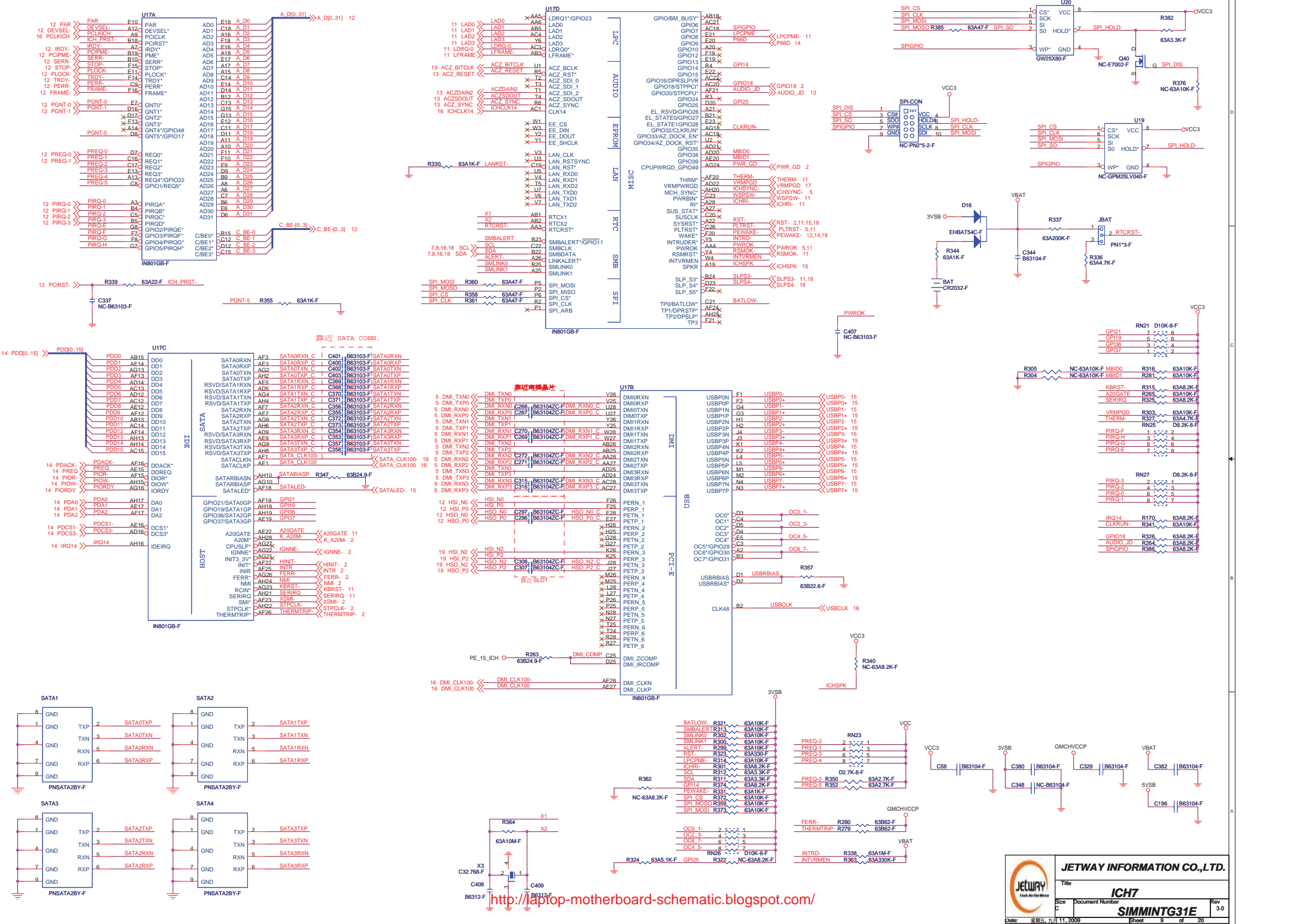
<http://laptop-motherboard-schematic.blogspot.com/>



<http://laptop-motherboard-schematic.blogspot.com/>

	<b>JETWAY INFORMATION CO.,LTD.</b>		
	<b>DDRII B SLOT</b>		
	Size	Document Number	Rev
	<b>SIMMINTG31E</b>		3.0
Date: 星期二, 九月 11, 2009 Sheet 8 of 20			





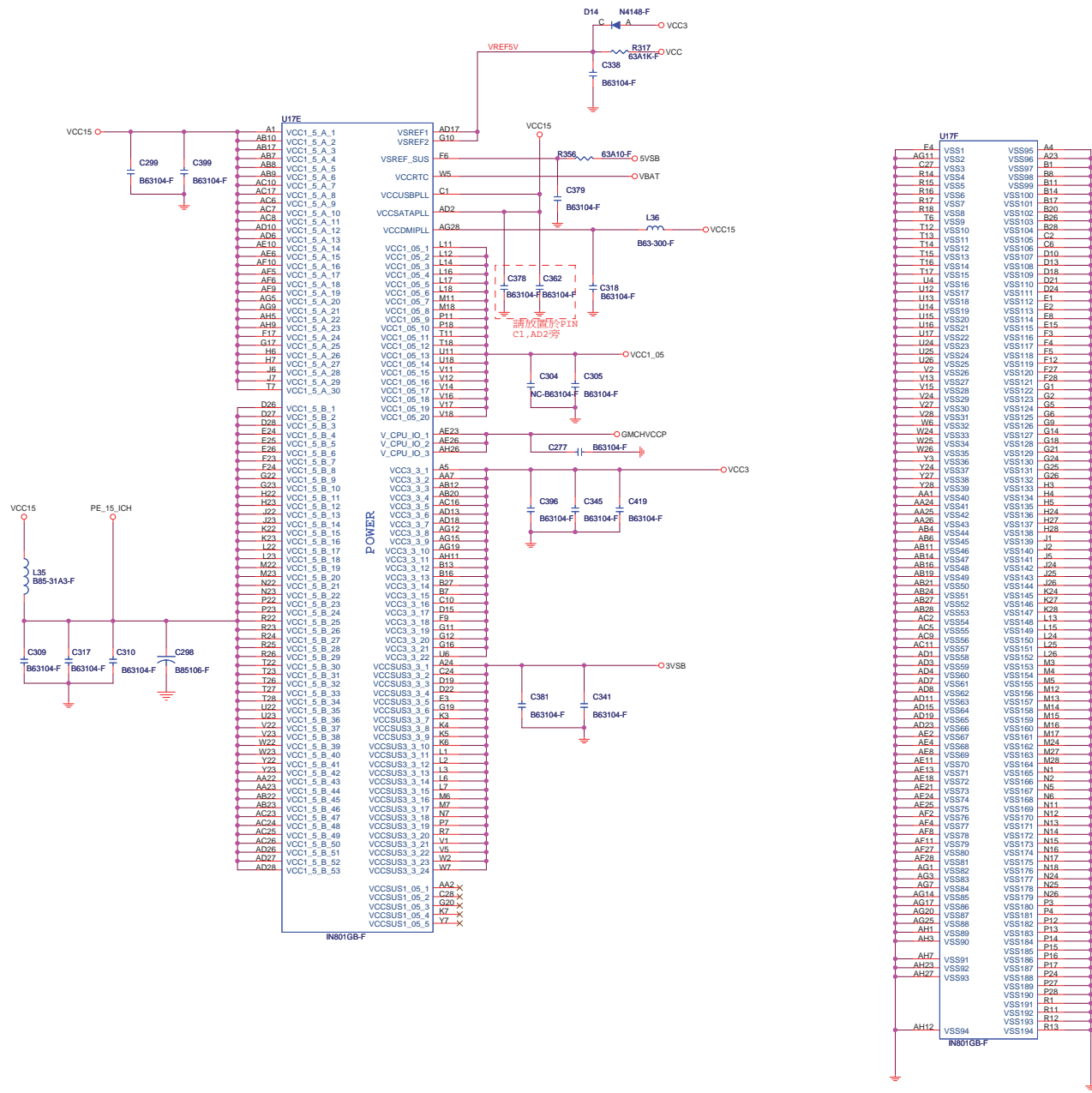
<http://laptop-motherboard-schematic.blogspot.com/>

**JETWAY INFORMATION CO.,LTD.**

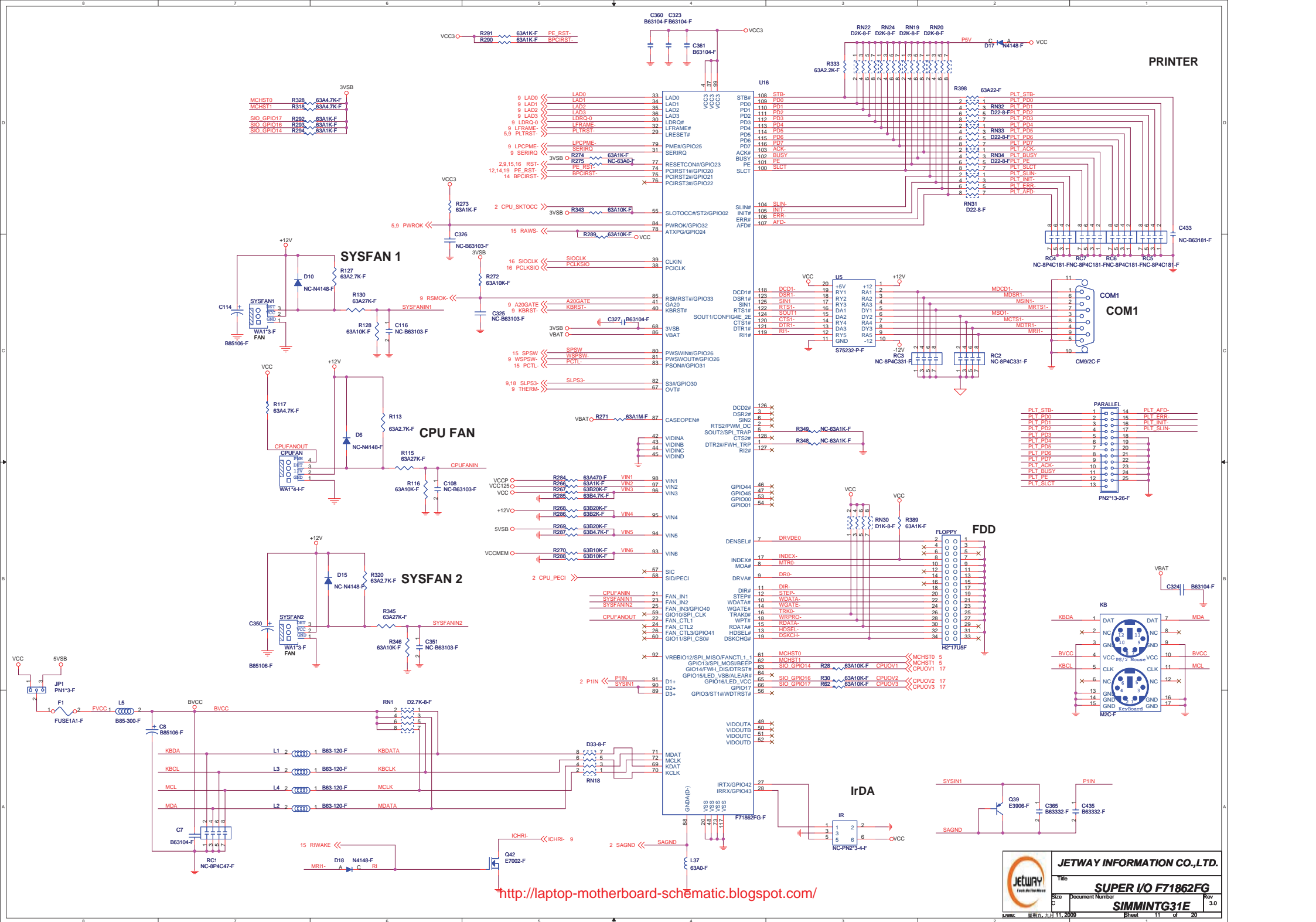
Title: **ICH7**

Size: Document Number: **SIMMINTG31E**

Date: 星期二, 九月 11, 2009 Sheet 9 of 20

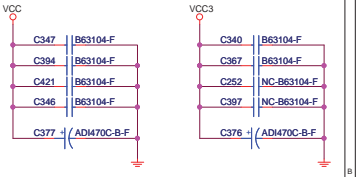
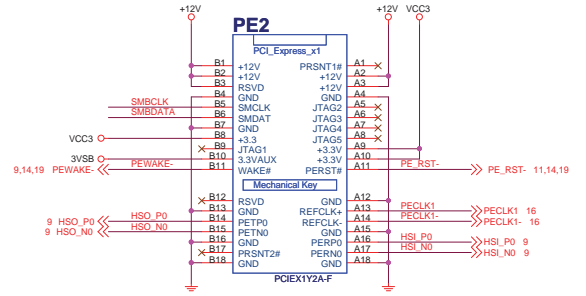
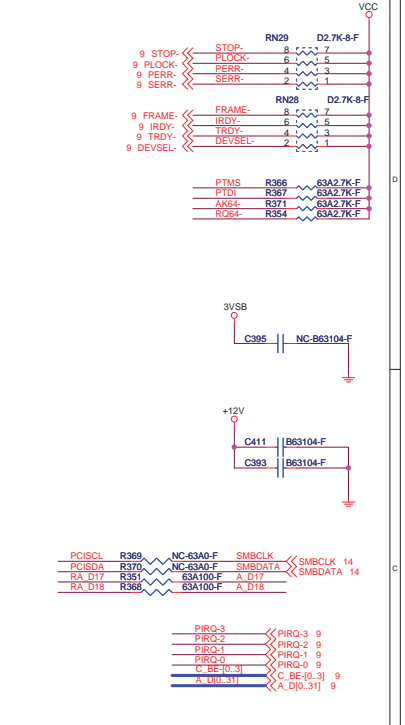
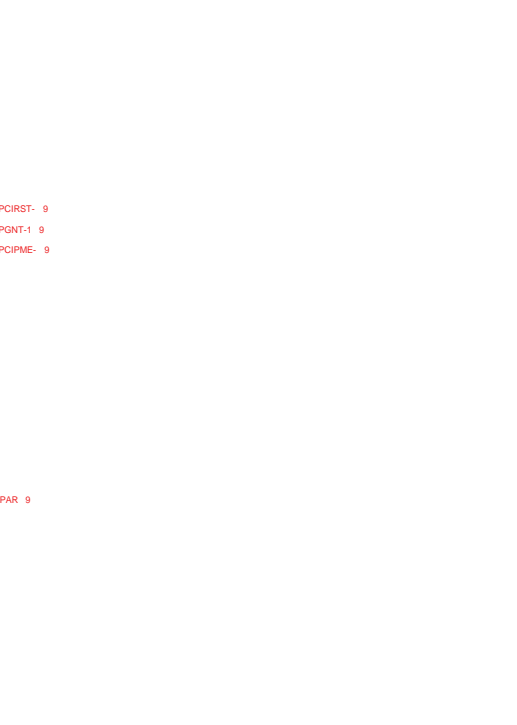
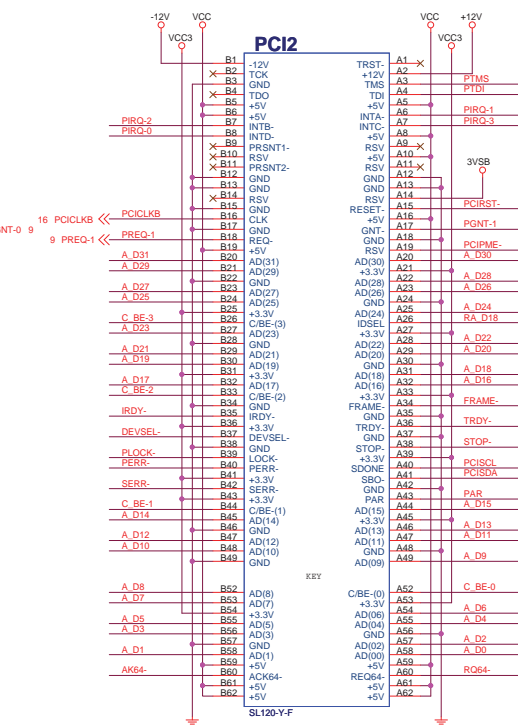
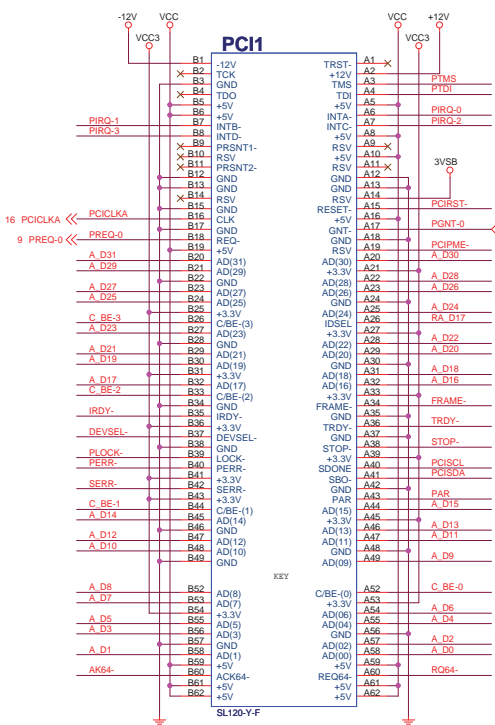


<http://laptop-motherboard-schematic.blogspot.com/>



<http://laptop-motherboard-schematic.blogspot.com/>

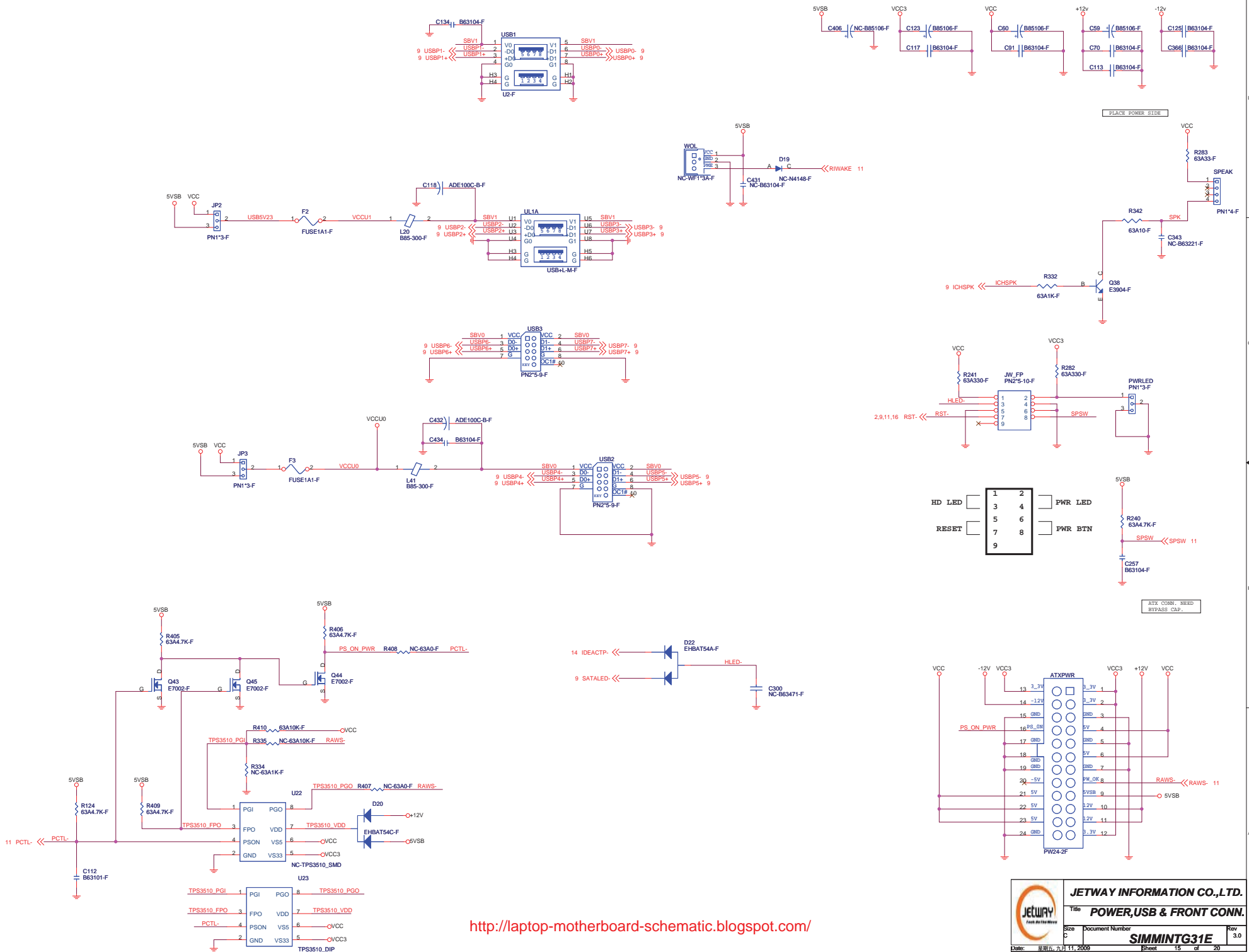
		<b>JETWAY INFORMATION CO.,LTD.</b>	
		Title: <b>SUPER I/O F71862FG</b>	
Size: C	Document Number:	<b>SIMMINTG31E</b>	
Date: 2009.09.11		Sheet: 11	of: 20



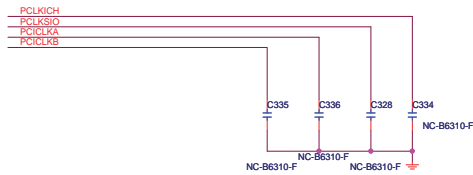
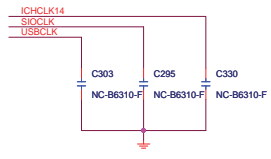
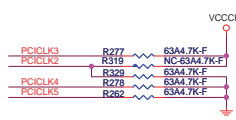
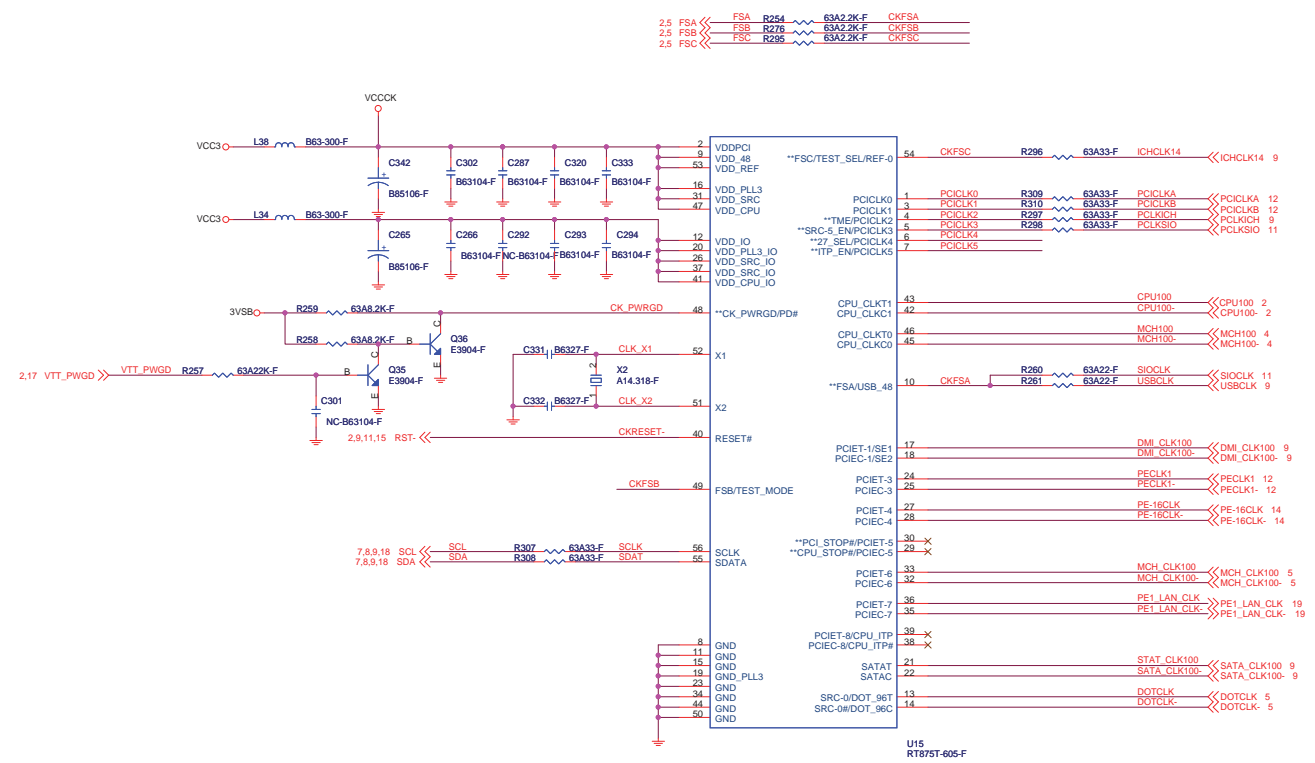
<http://laptop-motherboard-schematic.blogspot.com/>







<http://laptop-motherboard-schematic.blogspot.com/>

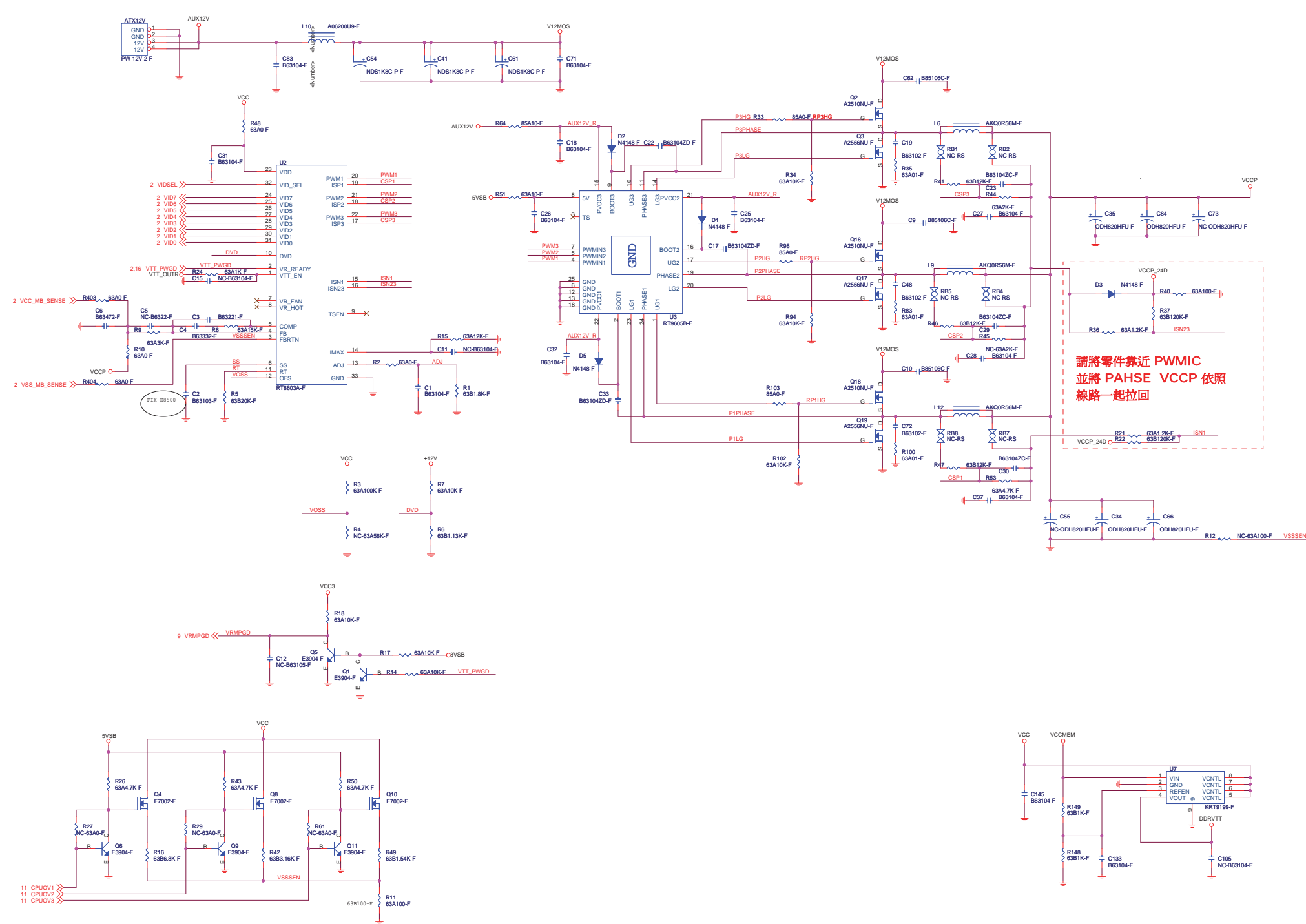


**TME (PIN 4) PCICLK2**  
 1                      **Couldnt OC**  
 0                      **OC Acceptable**  
**SRC5 (PIN 5) PCICLK3**  
 1                      **SRC5**  
 0                      **CPU/PCI STOP#**  
**ITP EN (PIN 7) PCICLK5**   **PIN 38/39**  
 1                      **CPU ITP**  
 0                      **SRC8**  
**27 SEL (PIN 6) PCICLK4**   **PIN 13/14   PIN 17/18**  
 1                      **SRC0           27M/27M SS**  
 0                      **DOT96         SRC1**

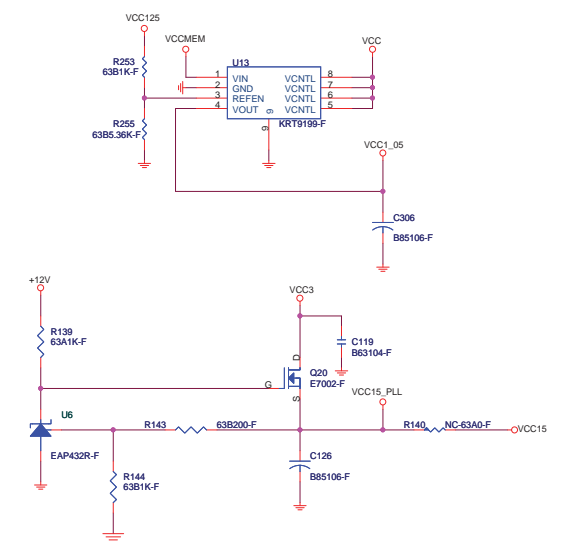
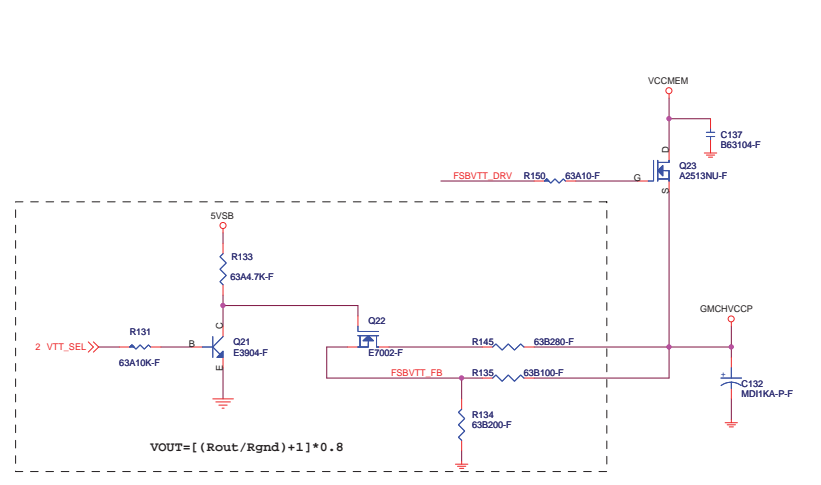
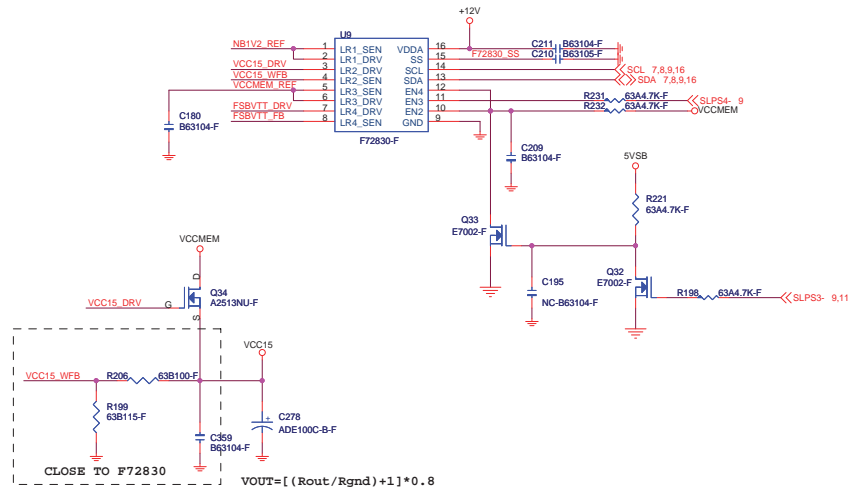
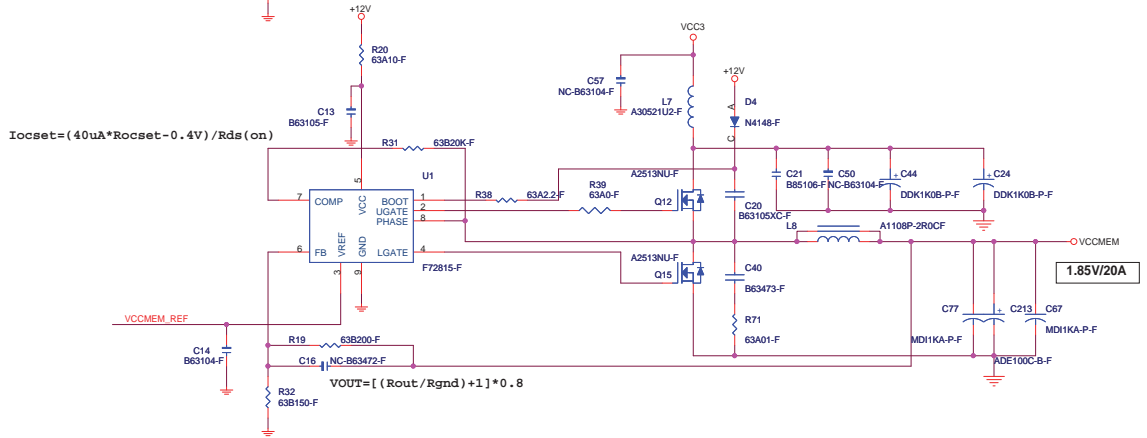
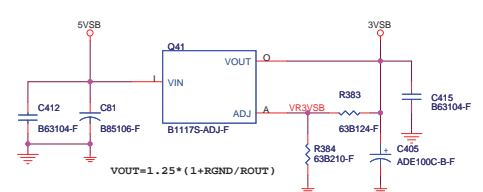
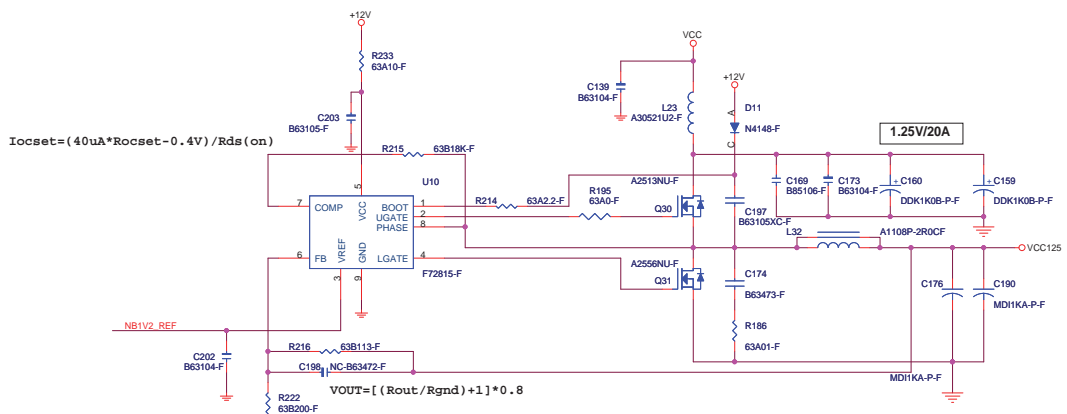
Frequency table for RTM875T-605

FS_C	FS_B	FS_A	CPU	SRC	PCI
0	0	0	266.66		
0	0	1	133.33		
0	1	0	200.00		
0	1	1	166.67	100.00	33.33
1	0	0	333.33		
1	0	1	100.00		
1	1	0	400.00		
1	1	1	200.00		

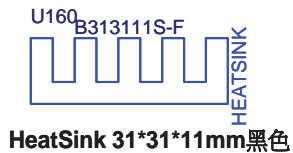
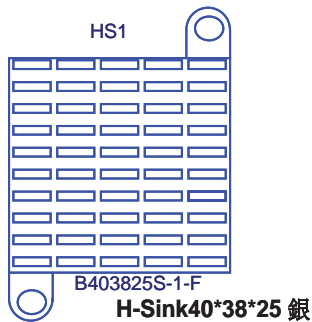




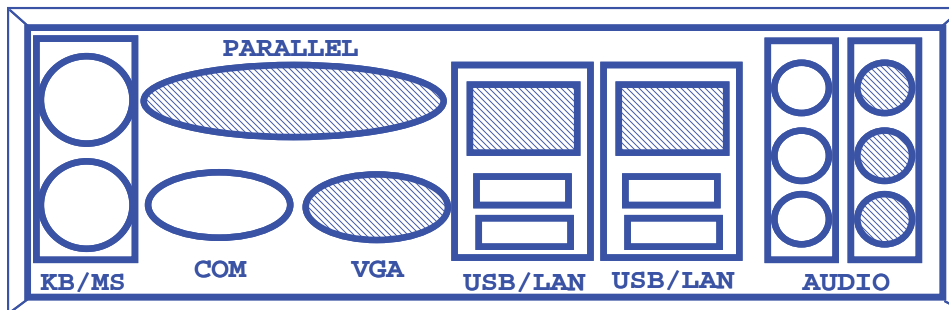
請將零件靠近 PWMIC  
並將 PAHSE VCCP 依照  
線路一起拉回



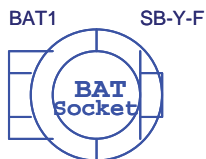




15



104-3-F



BATTERY HOLDER 無鉛製程

SIMMINTG31E-LR30-LF



I31GM4R30SML 244\*180mm PCB.

JP1(1-2)  
SPYE-F



SHUNT  
JUMPER

JUMPER YELLOW 無鉛製程

JP3(1-2)  
SPYE-F



SHUNT  
JUMPER

JUMPER YELLOW 無鉛製程

JP2(1-2)  
SPYE-F



SHUNT  
JUMPER

JUMPER YELLOW 無鉛製程

JBAT(1-2)  
SPYE-F



SHUNT  
JUMPER

JUMPER YELLOW 無鉛製程



JETWAY INFORMATION CO.,LTD.

Title

ACCESSORY

Size  
A

Document Number

SIMMINTG31E

Rev  
3.0